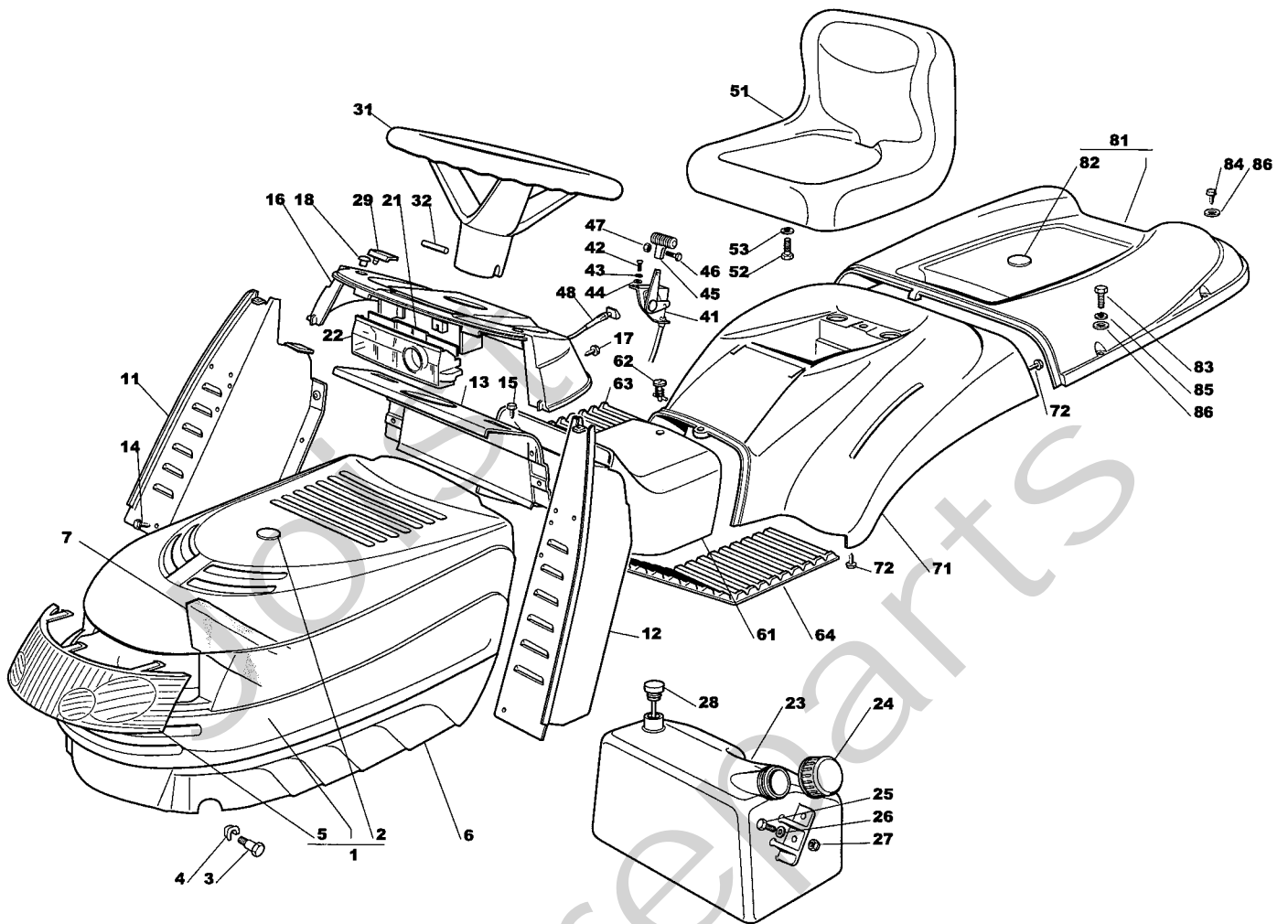


Genuine Spare Parts



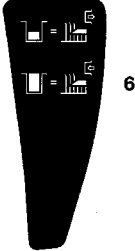
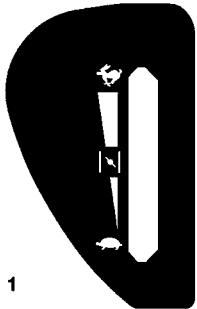
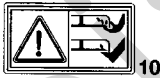
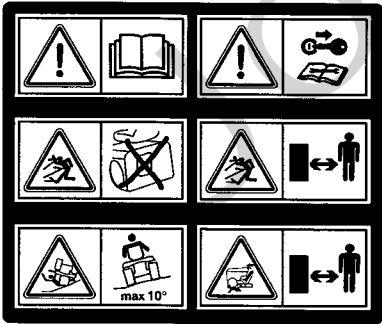
Joist
Spareparts
Joist



Utgåva Issue		Bildnr Picture No		ESTATE ROYAL ESTATE PRO 20 KAROSS		ESTATE ROYAL ESTATE PRO 20 BODY WORK		Sida Page
2003-11		1238B						114
Pos. Fig.	Antal/Quantity			Art nr Part No	Benämning	Description	Sats Kit	Anmärkning Notes
	2533	2535						
1	1	1		1136-1038-01	Motorhuv.....	Engine hood.....		Inkl. pos 2, 5
2	1	1		1136-0905-01	• Platta.....	• Plate.....		
3	2	2		1136-0230-01	Bult.....	Bolt.....		
4	2	2		1136-0009-01	Låsplatta.....	Lock plate.....		
5	1	1		1136-0888-01	• Grill.....	• Grill.....		
6	1	1		1136-0866-01	Motorhuv- nedre.....	Engine hood- lower.....		
7	1	1		1136-0921-01	Avskiljare.....	Intake separator.....		
7		1		1136-0922-01	Avskiljare.....	Intake separator.....		
11	1	1		1136-0535-01	Stöd- hö.....	Dashboard support- RH.....		
12	1	1		1136-0534-01	Stöd- vä.....	Dashboard support- LH.....		
13	1	1		1136-0536-01	Stöd- mittre.....	Dashboard support- cen.....		
14	2	2		9848-8013-16	Skruv.....	Screw.....		
15	4	4		9848-8013-16	Skruv.....	Screw.....		
16	1	1		1136-0870-01	Instrumentbräda.....	Dashboard.....		
17	4	4		9847-8013-16	Skruv.....	Screw.....		
18	2	2		1136-0872-01	Plugg.....	Plug.....		
21	1	1		1136-0274-01	Skydd.....	Protection.....		
22	1	1		1136-0285-01	Skydd.....	Protection.....		
23	1	1		1136-0317-01	Bränsletank.....	Fuel tank.....		
23		1		1136-0924-01	Bränsletank.....	Fuel tank.....		
24	1	1		1136-0344-01	Tanklock.....	Tank cap.....		
25	2	2		9997-0516-16	Skruv.....	Screw.....		
26	2	2		9699-0018-02	Bricka.....	Washer.....		
27	2	2		9747-0531-02	Mutter.....	Nut.....		
28	1	1		1136-0883-01	Bränslemätare.....	Fuel level indicator.....		
29	2	2		1136-0179-01	Huvskydd.....	Grommet.....		
31	1	1		1136-0361-01	Ratt.....	Steering wheel.....		
32	1	1		9595-0272-00	• Stift.....	• Pin.....		
41	1	1		1136-0439-01	Gasreglage.....	Throttle control.....		
41		1		1136-1027-01	Gasreglage.....	Throttle control.....		
42	2	2		9997-0412-16	Skruv.....	Screw.....		
43	2	2		9683-0010-02	Bricka.....	Washer.....		
44	2	2		9699-0021-02	Bricka.....	Washer.....		
45	1	1		1136-0192-01	Knopp.....	Handle.....		
46	1	1		9865-0412-16	Skruv.....	Screw.....		
47	1	1		9799-0431-02	Mutter.....	Nut.....		
48	1	1		1136-0867-01	Choke.....	Starter drive.....		
51	1	1		1136-0316-01	Sits.....	Seat.....		
52	4	4		9997-0820-16	Skruv.....	Screw.....		
53	4	4		9683-0030-02	Låsbricka.....	Lock washer.....		
61	1	1		1136-0145-01	Kåpa.....	Cover.....		
62	1	1		1136-0268-01	Stift.....	Pivot.....		
63	1	1		1136-0153-01	Fotstegsskydd- hö.....	Footboard cover- RH.....		
64	1	1		1136-0146-01	Fotstegsskydd- vä.....	Footboard cover- LH.....		
71	1	1		1136-1228-01	Hjulååpa.....	Wheel cover.....		
72	4	4		9836-9618-12	Skruv.....	Screw.....		
81	1	1		1136-1039-01	Uppsammlarlock.....	Grass catcher cover.....	Inkl. pos 82	
82	1	1		1136-0905-01	• Platta.....	• Plate.....		
83	2	2		9997-0635-12	Skruv.....	Screw.....		
84	4	4		9847-8116-16	Skruv.....	Screw.....		
85	2	2		9683-0010-02	Bricka.....	Washer.....		
86	6	6		9699-0035-02	Planbricka.....	Flat washer.....		
99	1	1		1136-0597-01	Tillbehörspåse.....	Key outfit.....	Inkl. pos 32	

X

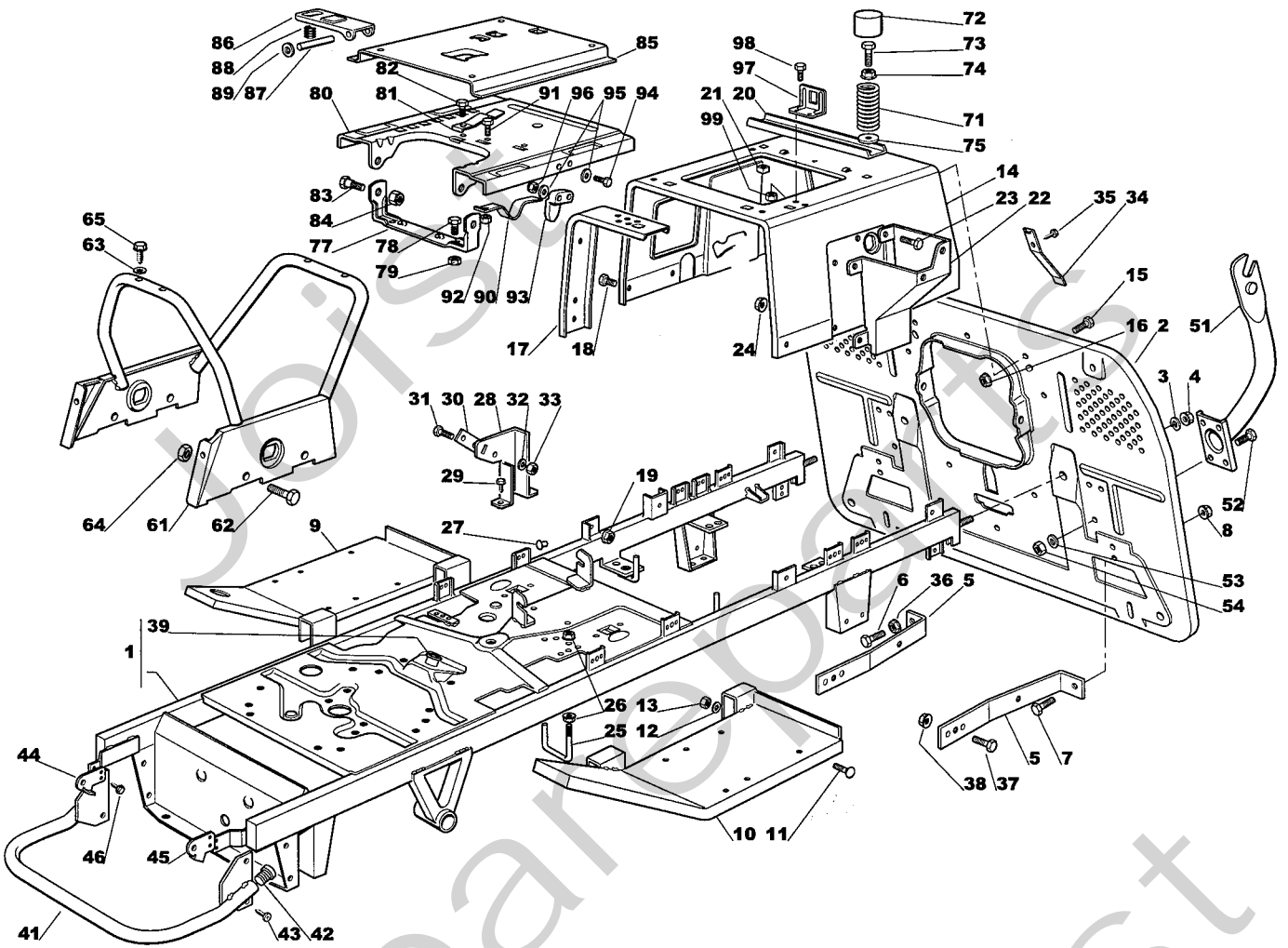
Spare Parts Joist



Utgåva Issue 2003-11		Bildnr Picture No 1210B		ESTATE ROYAL ESTATE PRO 20 DEKALER		ESTATE ROYAL ESTATE PRO 20 LABELS		Sida Page 116	
Pos. Fig.	Antal/Quantity				Art nr Part No	Benämning	Description	Sats Kit	Anmärkning Notes
	2533 2535								
1	1				1136-0025-01 Dekal	Label			
2	1				1136-0022-01 Dekal	Label			
6	1				1136-0040-01 Dekal	Label			
7	1				1136-0039-01 Dekal	Label			
8	1				1136-0038-01 Dekal	Label			
9	1				1136-0030-01 Dekal	Label			
10	2				1136-0021-01 Dekal	Label			
11	1				1136-1111-01 Dekal	Label			
13	1				1136-1218-01 Dekal	Label			

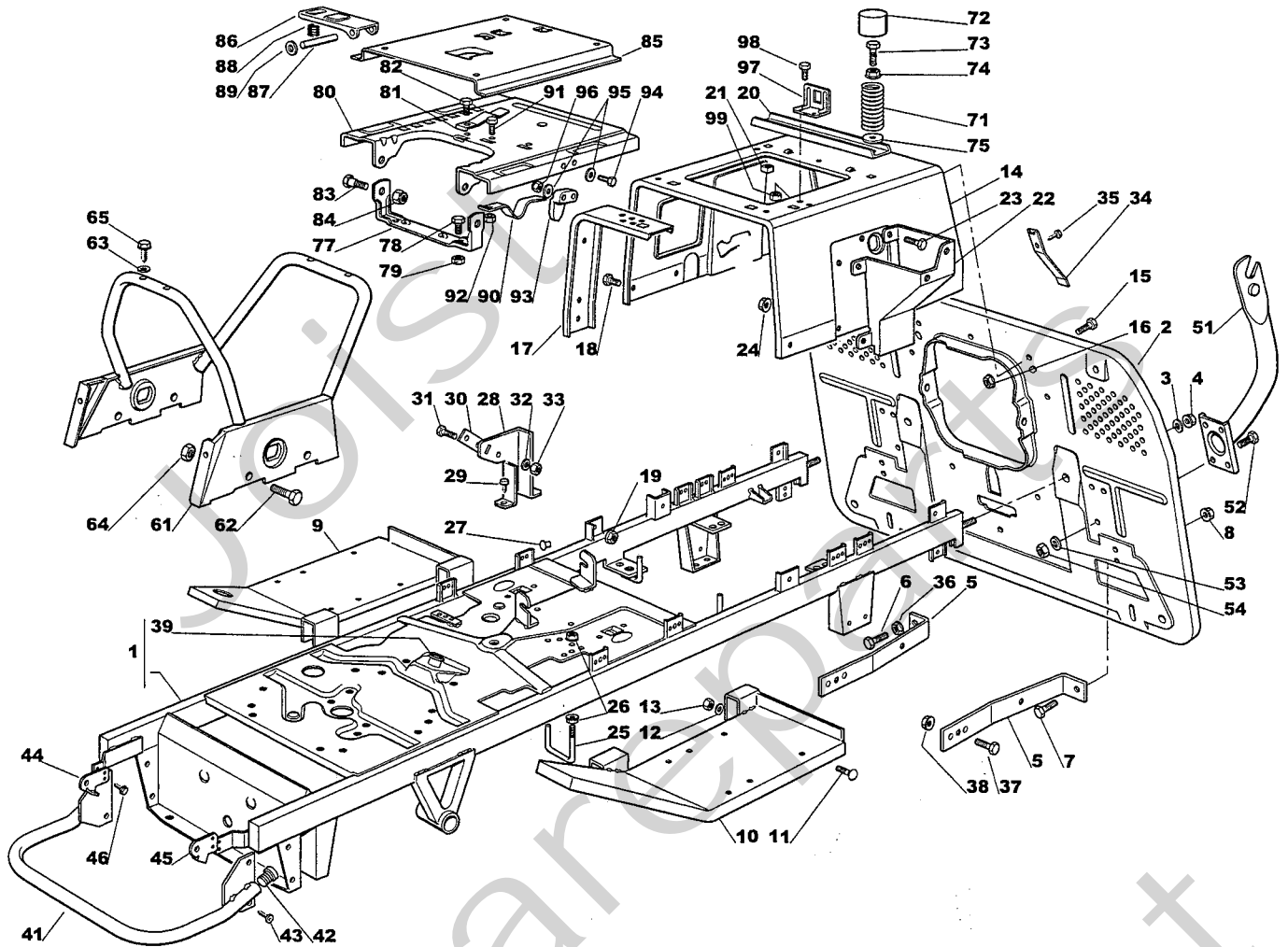
X

Joist Spareparts

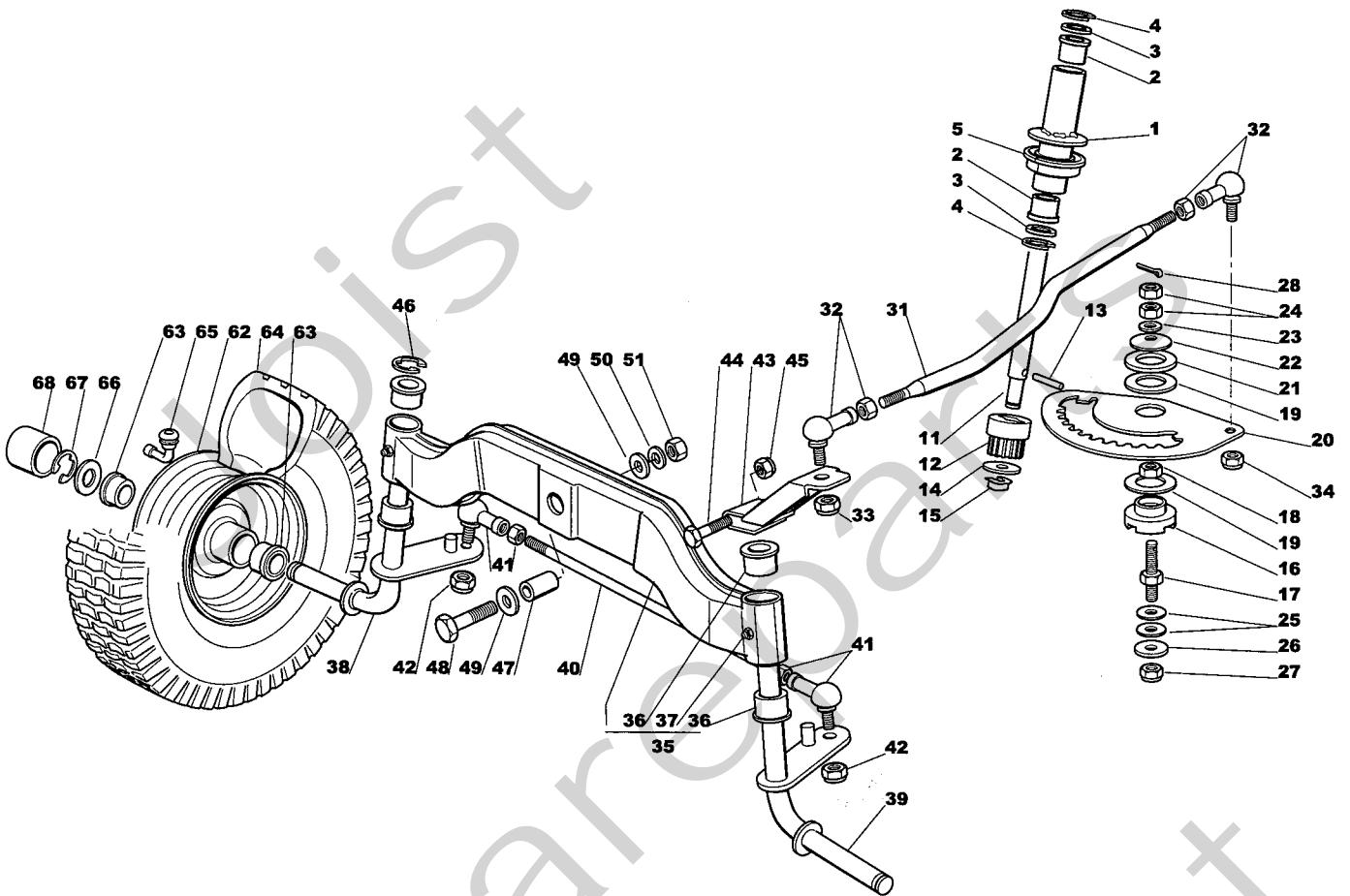


Utgåva Issue		Bildnr Picture No		ESTATE ROYAL ESTATE PRO 20 CHASSI		ESTATE ROYAL ESTATE PRO 20 CHASSIS		Sida Page	
2003-11		1237B						118	
Pos. Fig.	Antal/Quantity			Art nr Part No	Benämning	Description	Sats Kit	Anmärkning Notes	
	2533	2535							
1	1			1136-1058-01	Ram.....	Frame.....		Inkl. pos 39	
2	1			1136-0514-01	Plåt- bak.....	Plate- rear.....			
3	2			9683-0040-02	Låsbricka.....	Lock washer.....			
4	2			9799-1031-02	Mutter.....	Nut.....			
5	2			1136-0328-01	Förstärkning.....	Reinforcement.....			
6	1			9997-0835-12	Skruv.....	Screw.....			
7	3			9997-0820-16	Skruv.....	Screw.....			
8	4			9739-0831-22	Mutter.....	Nut.....			
9	1			1136-0511-01	Fotsteg- hö.....	Footboard support- RH.....			
10	1			1136-0512-01	Fotsteg- vä.....	Footboard support- LH.....			
11	4			9898-0645-12	Skruv.....	Screw.....			
12	4			9699-0060-02	Planbricka.....	Flat washer.....			
13	4			9747-0631-02	Låsmutter.....	Lock nut.....			
14	1			1136-0338-01	Sitsfäste.....	Seat support.....			
15	5			9997-0616-16	Skruv.....	Screw.....			
16	5			9739-0631-22	Mutter.....	Nut.....			
17	2			1136-0303-01	Förstärkning.....	Reinforcement.....			
18	6			9997-0616-16	Skruv.....	Screw.....			
19	6			9739-0631-22	Mutter.....	Nut.....			
20	1			1136-0304-01	Förstärkning.....	Reinforcement.....			
21	2			1136-0003-01	Fyrkantmutter.....	Square nut.....			
22	1			1136-0339-01	Stöd.....	Support.....			
23	4			9997-0616-16	Skruv.....	Screw.....			
24	4			9739-0631-22	Mutter.....	Nut.....			
25	1			1136-0267-01	Remstyrning.....	Belt guide.....			
26	2			9739-0631-22	Mutter.....	Nut.....			
27	1			1136-0386-01	Gummiplugg.....	Grommet.....			
28	1			1136-0340-01	Stöd.....	Support.....			
29	2			9848-8013-16	Skruv.....	Screw.....			
30	1			1136-0407-01	Plåt.....	Plate.....			
31	2			9948-0320-16	Skruv.....	Screw.....			
32	2			9683-0005-02	Låsbricka.....	Lock washer.....			
33	2			9799-0331-02	Mutter.....	Nut.....			
34	1			1136-0220-01	Fjäder.....	Spring.....			
35	1			9847-8009-16	Skruv.....	Screw.....			
36	1			9799-0831-02	Mutter.....	Nut.....			
37	2			9997-0820-16	Skruv.....	Screw.....			
38	2			9739-0831-22	Mutter.....	Nut.....			
39	1			1136-1226-01	Bussning.....	Bushing.....			
41	1			1136-0553-01	Ljuddämparskydd.....	Muffler protection.....			
42	2			1136-0061-01	Plugg.....	Cap.....			
43	4			9847-8216-16	Skruv.....	Screw.....			
44	1			1136-0259-01	Huvfäste- hö.....	Hood plate- RH.....			
45	1			1136-0260-01	Huvfäste- vä.....	Hood plate- LH.....			
46	4			9847-8009-16	Skruv.....	Screw.....			
51	2			1136-0532-01	Fäste.....	Support.....			
52	6			9997-0816-16	Skruv.....	Screw.....			
53	6			9699-0056-02	Planbricka.....	Flat washer.....			
54	6			9739-0831-22	Mutter.....	Nut.....			
61	1			1136-0524-01	Ram- övre.....	Frame- top.....			
62	4			9997-0816-16	Skruv.....	Screw.....			
63	4			9699-0035-02	Planbricka.....	Flat washer.....			
64	4			9739-0831-22	Mutter.....	Nut.....			
65	4			9847-8119-16	Skruv.....	Screw.....			
71	2			1136-0202-01	Fjäder.....	Spring.....			
72	2			1136-0156-01	Lock.....	Cap.....			
73	2			1136-0358-01	Skruv.....	Screw.....			
74	2			9739-0831-22	Mutter.....	Nut.....			
75	2			1136-0014-01	Bricka.....	Washer.....			
77	1			1136-0530-01	Sitsbygel.....	Seat clamp.....			
78	2			9997-0816-16	Skruv.....	Screw.....			
79	2			9739-0831-22	Mutter.....	Nut.....			
80	1			1136-0343-01	Sitsstöd.....	Seat support.....			

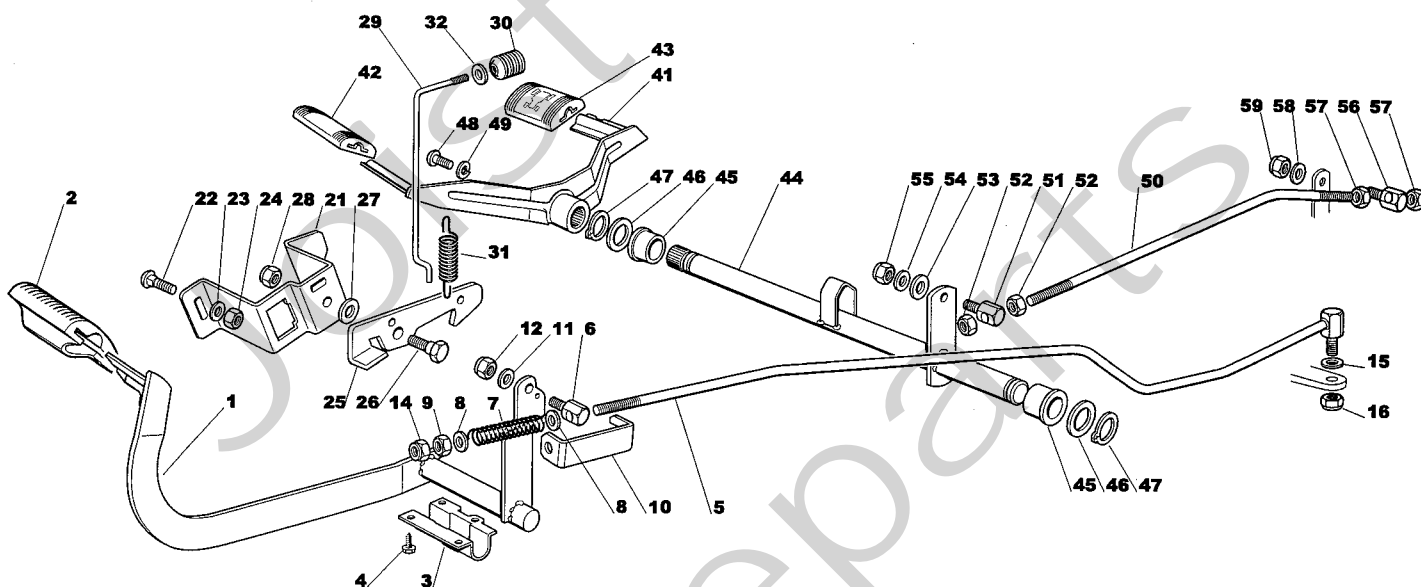
X



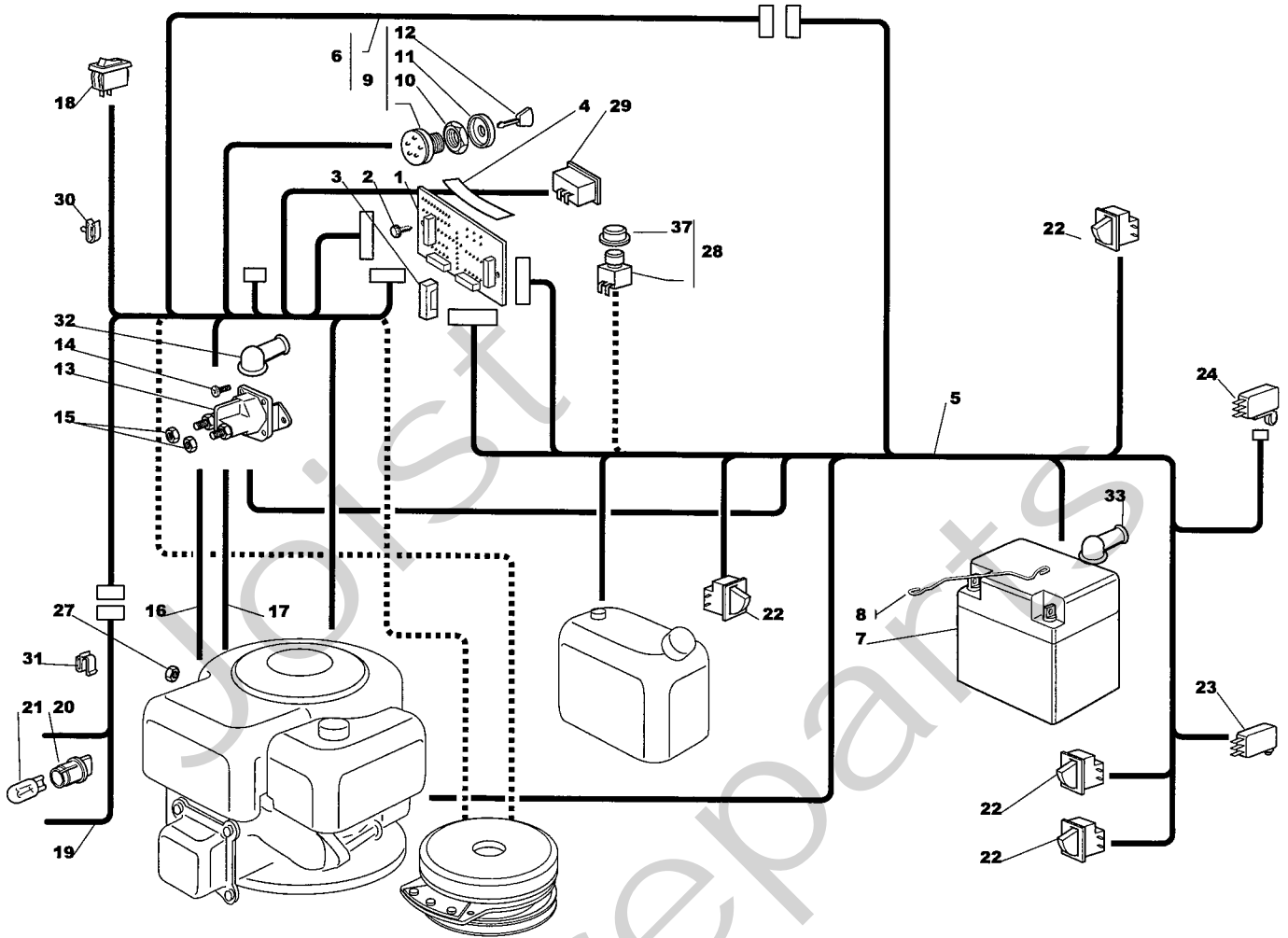
Utgåva Issue		Bildnr Picture No		ESTATE ROYAL ESTATE PRO 20 CHASSI		ESTATE ROYAL ESTATE PRO 20 CHASSIS		Sida Page	
2003-11		1237B						120	
Pos. Fig.	Antal/Quantity			Art nr Part No	Benämning	Description	Sats Kit	Anmärkning Notes	
	2533 2535								
	81	1		1136-0201-01	Fjäder.....	Spring			
	82	1		9847-8009-16	Skruv	Screw			
	83	2		1136-0086-01	Bult	Bolt			
	84	2		9712-0831-02	Låsmutter	Lock nut			
	85	1		1136-0342-01	Sitsfäste.....	Seat support			
	86	1		1136-0184-01	Stopparm.....	Stop lever.....			
	87	1		1136-0224-01	Axel	Pin			
	88	1		1136-0200-01	Fjäder.....	Spring			
	89	2		9675-0008-02	Starlock	Locking washer			
	90	1		1136-0891-01	Fjäder.....	Spring			
	91	1		9997-0512-16	Skruv	Screw			
X	92	1		9747-0531-02	Mutter.....	Nut			
	93	1		1136-1227-01	Kam	Cam			
	94	2		1136-0819-01	Skruv	Screw			
X	95	4		9699-0024-02	Planbricka.....	Flat washer.....			
	96	2		1136-1212-01	Mutter.....	Nut			
	97	1		1136-0925-01	Vinkelfäste.....	Angle bracket			
	98	2		9848-8013-16	Skruv	Screw			
	99	2		1136-0010-01	Låsplatta.....	Lock plate			



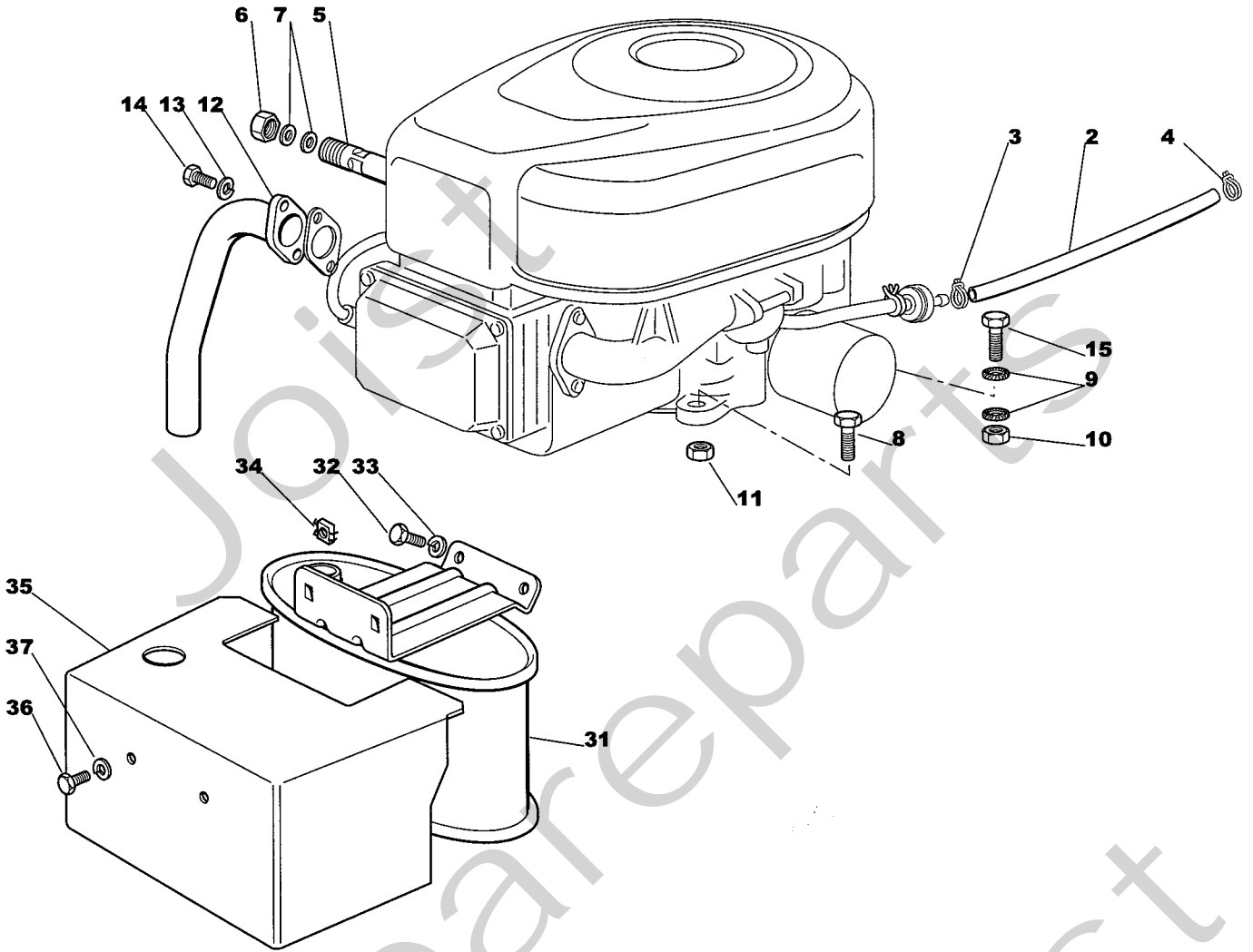
Utgåva Issue		Bildnr Picture No		ESTATE ROYAL ESTATE PRO 20 STYRNING		ESTATE ROYAL ESTATE PRO 20 STEERING		Sida Page	
2003-11		1239A						122	
Pos. Fig.	Antal/Quantity				Art nr Part No	Benämning	Description	Sats Kit	Anmärkning Notes
	2533	2535							
1	1				1136-0555-01 Rörhylsa	Tube guide			
2	2				1136-0125-01 Bussning	Bushing			
3	2				1136-0306-01 Bricka	Washer			
4	2				9652-0015-04 Låsring	Retaining ring			
5	2				1136-0126-01 Bussning	Bushing			
11	1				1136-0249-01 Rattstång	Steering column			
12	1				1136-0263-01 Styrdrev	Steering pinion			
13	1				9595-0262-00 Spännstift	Locating pin			
14	1				9699-0037-02 Bricka	Washer			
15	1				1136-0008-01 Låsplatta	Lock plate			
16	1				1136-0128-01 Bussning	Bushing			
17	1				1136-0246-01 Pinnbult	Stud bolt			
18	1				9799-1031-02 Mutter	Nut			
19	2				1136-0310-01 Bricka	Washer			
20	1				1136-0320-01 Styrsektor	Steering sector			
21	1				1136-0311-01 Bricka	Washer			
22	1				1136-0083-01 Fjäderbricka	Elastic washer			
23	1				9699-0035-02 Planbricka	Flat washer			
24	2				9799-1031-02 Mutter	Nut			
25	2				1136-0087-01 Bricka	Washer			
26	1				1136-0015-01 Bricka	Washer			
27	1				9747-1031-02 Låsmutter	Lock nut			
28	1				9599-0070-02 Saxsprint	Split pin			
31	1				1136-0106-01 Styrstag	Steering rod			
32	2				1136-0092-01 Kullad	Ball joint			
33	1				9747-1031-02 Låsmutter	Lock nut			
34	1				9747-1031-02 Låsmutter	Lock nut			
35	1				1136-0465-01 Framaxel kpl	Front wheel axle assy		Inkl. pos 36, 37	
36	4				1136-0121-01 • Bussning	• Bushing			
37	2				9501-0500-00 • Smörjnippel	• Grease joint			
38	1				1136-0484-01 Hjulspindel- hö	Stub axle- RH			
39	1				1136-0483-01 Hjulspindel- vä	Stub axle- LH			
40	1				1136-0345-01 Parallellstag	Tie rod			
41	2				1136-0092-01 Kullad	Ball joint			
42	2				9747-1031-02 Låsmutter	Lock nut			
43	1				1136-0488-01 Styrarm	Steering arm			
44	1				9997-0890-12 Skruv	Screw			
45	1				9747-0831-02 Mutter	Lock nut			
46	1				9652-0015-04 Låsring	Retaining ring			
47	1				1136-0160-01 Distans	Spacer			
48	1				9997-1680-12 Skruv	Screw			
49	2				9699-0104-02 Bricka	Washer			
50	1				9683-0065-02 Låsbricka	Lock washer			
51	1				9799-1631-02 Mutter	Nut			
62	2				1136-0454-01 Fälg	Rim			
63	4				1136-0157-01 Lager	Bearing			
64	2				1136-0269-01 Däck (Turf Saver)	Tire (Turf Saver)			
64	2				1136-0271-01 Däck (Deli)	Tire (Deli)			
65	2				1136-0359-01 Ventil	Valve			
66	2				1136-0305-01 Bricka	Washer			
67	2				9652-0015-04 Låsring	Retaining ring			
68	2				1136-0081-01 Navkapsel	Hub cap			



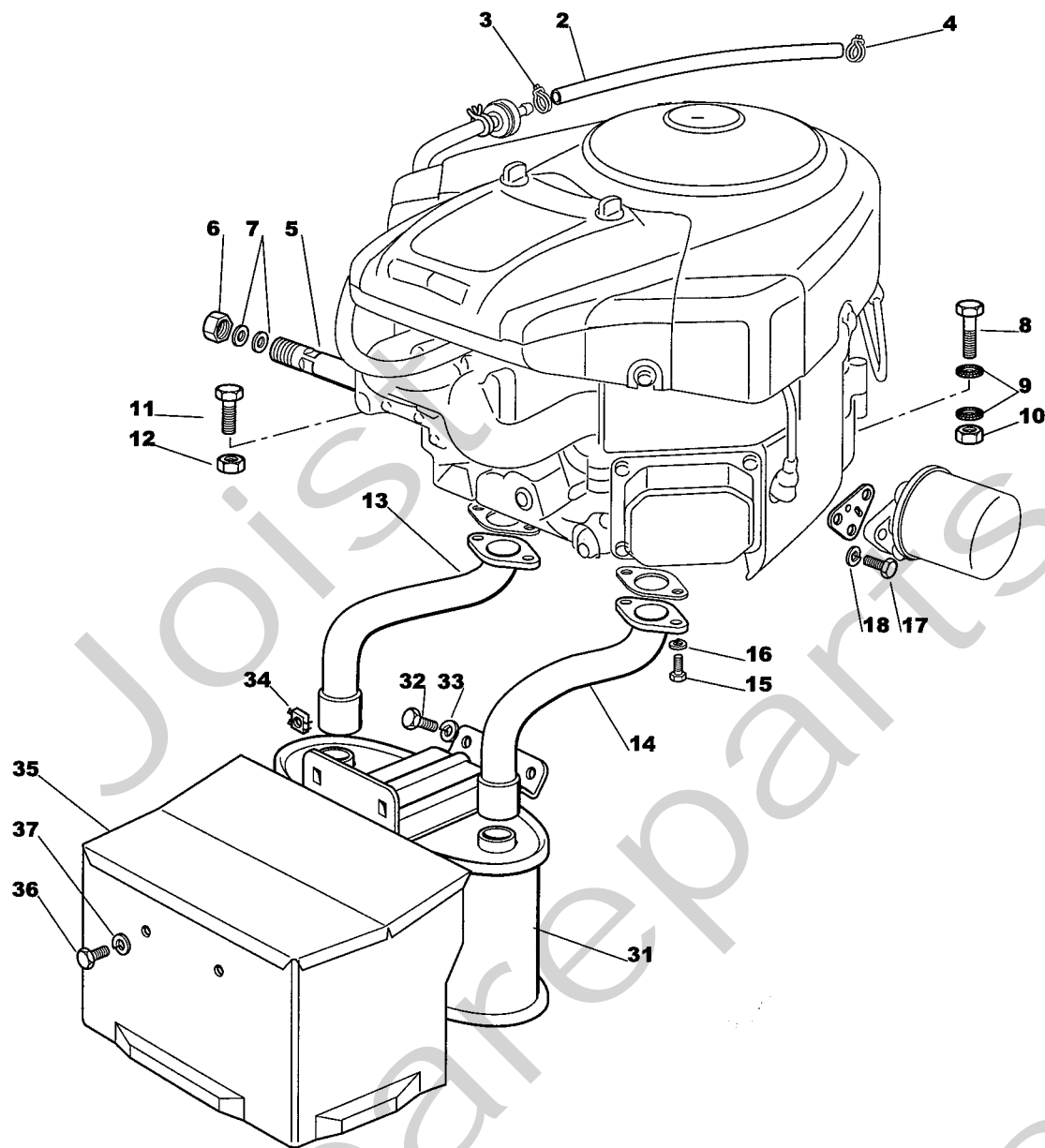
Utgåva Issue		Bildnr Picture No		ESTATE ROYAL ESTATE PRO 20 BROMSREGLAGE DRIVREGLAGE		ESTATE ROYAL ESTATE PRO 20 BRAKE CONTROL DRIVE CONTROL		Sida Page	
2003-11		1240						124	
Pos. Fig.	Antal/Quantity				Art nr Part No	Benämning	Description	Sats Kit	Anmärkning Notes
	2533	2535							
1	1				1136-0508-01	Bromspedal	Brake pedal		
2	1				1136-0151-01	Pedalskydd	Pedal cover		
3	1				1136-0258-01	Bygel	Clamp		
4	4				9847-8016-16	Skruv	Screw		
5	1				1136-0453-01	Bromsstång	Brake rod		
6	1				1136-0239-01	Ledbult	Pivot bolt		
7	1				1136-0218-01	Fjäder	Spring		
8	2				9699-0035-02	Planbricka	Flat washer		
9	1				9799-1031-02	Mutter	Nut		
10	1				1136-0329-01	Bygel	Clamp		
11	1				9699-0090-02	Planbricka	Flat washer		
12	1				9747-0831-02	Mutter	Lock nut		
14	1				9747-1031-02	Låsmutter	Lock nut		
15	1				9699-0090-02	Planbricka	Flat washer		
16	1				9747-0831-02	Mutter	Lock nut		
21	1				1136-0341-01	Fäste	Support		
22	2				9898-0620-16	Skruv	Screw		
23	1				9699-0060-02	Planbricka	Flat washer		
24	2				9747-0631-02	Låsmutter	Lock nut		
25	1				1136-0178-01	Spärrhake	Hook		
26	1				1136-0086-01	Bult	Bolt		
27	1				1136-0309-01	Bricka	Washer		
28	1				9747-0831-02	Mutter	Lock nut		
29	1				1136-0115-01	P- bromsarm	Parking brake lever		
30	1				1136-0196-01	Knopp	Knob		
31	1				1136-0205-01	Fjäder	Spring		
32	1				9699-0018-02	Bricka	Washer		
41	1				1136-0509-01	Drivpedal	Drive pedal		
42	1				1136-0149-01	Pedalskydd- fram	Pedal cover- front		
43	1				1136-0150-01	Pedalskydd- bak	Pedal cover- rear		
44	1				1136-0451-01	Pedalaxel	Pedal axle		
45	2				1136-0078-01	Bussning	Bushing		
46	2				1136-0090-01	Bricka	Washer		
47	2				9650-0020-04	Spärring	Circlip		
48	1				9939-0816-16	Skruv	Screw		
49	1				9683-0030-02	Låsbricka	Lock washer		
50	1				1136-0113-01	Stag	Drive rod		
51	1				1136-0241-01	Ledbult	Pivot bolt		
52	2				9799-0831-02	Mutter	Nut		
53	1				9699-0035-02	Planbricka	Flat washer		
54	1				9699-0060-02	Planbricka	Flat washer		
55	1				9747-0631-02	Låsmutter	Lock nut		
56	1				1136-0241-01	Ledbult	Pivot bolt		
57	2				9799-0831-02	Mutter	Nut		
58	1				9699-0060-02	Planbricka	Flat washer		
59	1				9747-0631-02	Låsmutter	Lock nut		



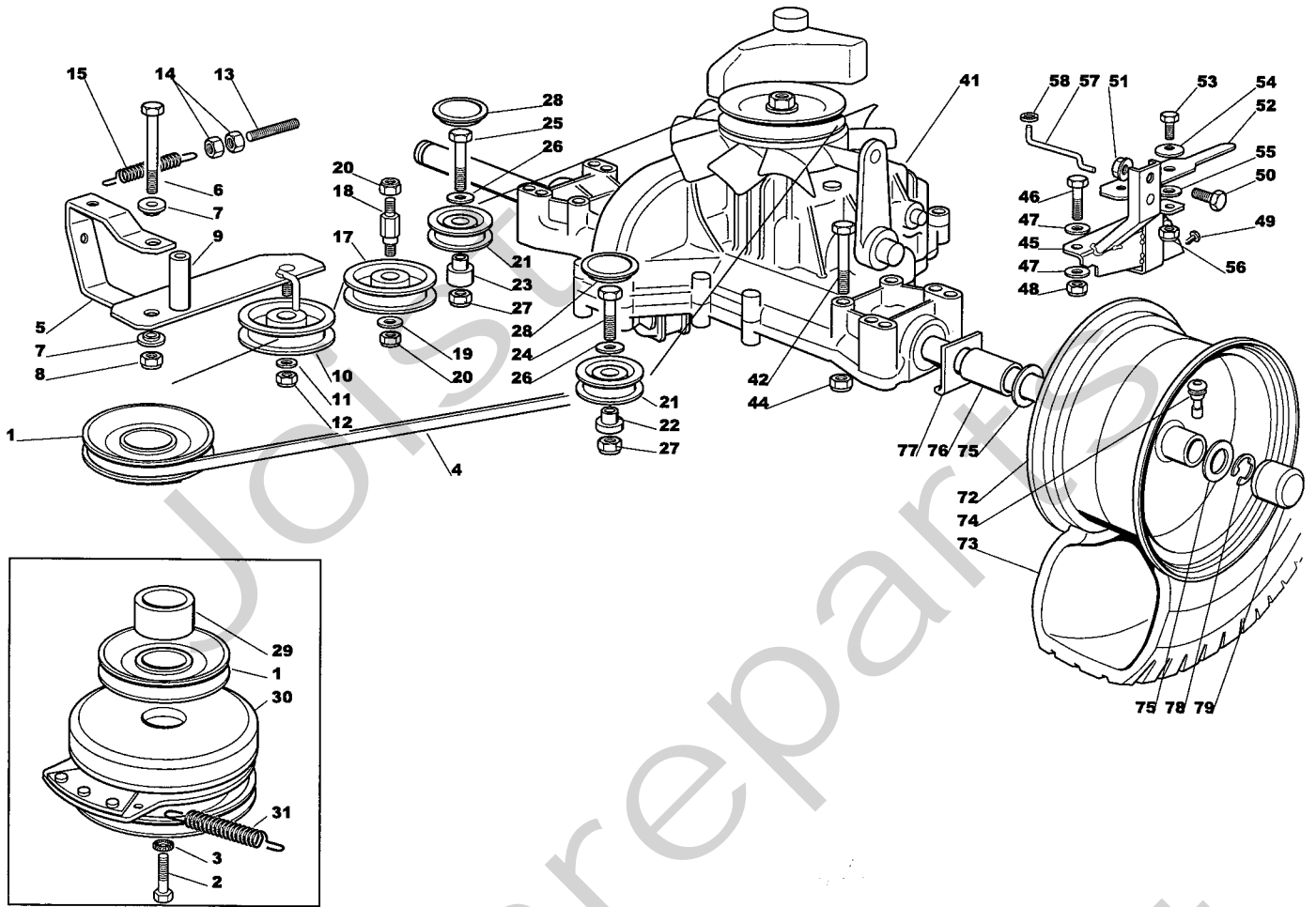
Utgåva Issue 2003-11		Bildnr Picture No 1247B		ESTATE ROYAL ESTATE PRO 20 ELUTRUSTNING		ESTATE ROYAL ESTATE PRO 20 EL. EQUIPMENT		Sida Page 126	
Pos. Fig.	Antal/Quantity			Art nr Part No	Benämning	Description	Sats Kit	Anmärkning Notes	
	2533	2535							
	1	1		1136-0313-01	Elektronikkort	Electronic card			
	2	3		9847-7816-16	Skruv	Screw			
	3	1		1136-0428-01	• Säkring	• Fuse		6.3 A	
	4	1		1136-0199-01	Kontrollskylt	Check control panel		6 functions	
	4	1		1136-0889-01	Kontrollskylt	Check control panel		8 functions	
X	5	1		1136-1284-01	Kabelhärva	Harness			
X	5	1		1136-1285-01	Kabelhärva	Harness			
	6	1		1136-0471-01	Kabelhärva	Harness		Inkl. pos 9	
	7	1		1134-4804-01	Batteri	Battery			
	8	1		1136-0215-01	Fjäder	Spring			
	9	1		1136-0056-01	• Tändningslås	• Ignition switch		Inkl. pos 10 - 12	
	10	1		1136-0049-01	•• Mutter	•• Nut			
	11	1		1134-4097-01	•• Täckåpa	•• Cap			
	12	1		1134-2848-01	•• Tändningsnyckel	•• Ignition key			
	13	1		1136-0064-01	Startrelä	Solenoid			
	14	2		9997-0620-16	Skruv	Screw			
	15	2		9794-5131-02	Mutter	Nut			
	16	1		1136-0132-01	Kabelhärva	Harness			
	17	1		1136-0133-01	Kabel	Cable			
	18	1		1136-0055-01	Brytare	Switch		Strålkastare/light	
	19	1		1136-0468-01	Kabel	Cable			
	20	2		1136-0429-01	Lamphållare	Lamp holder			
	21	2		1136-0058-01	Glödlampa	Bulb			
	22	3		1136-0073-01	Mikrobrytare	Micro switch			
	23	1		1136-0072-01	Mikrobrytare	Micro switch			
	24	1		1136-0076-01	Mikrobrytare	Micro switch		Full upps./grass bag Neutral	
	27	1		9795-3531-02	Mutter	Nut			
	28	1		1136-0057-01	Mikrobrytare	Micro switch		Koppling/clutch	
	29	1		1136-0043-01	Timräknare	Hour counter			
	30	5		1136-0427-01	Kabelhållare	Cable holder			
	31	1		1136-0426-01	Kabelhållare	Cable holder			
	32	1		1136-0059-01	Polskydd	Protection			
	33	1		1136-0060-01	Polskydd	Protection			
X	37	1		1136-1221-01	Lock	Cap			
	99	1		1136-0597-01	Tillbehörspåse	Key outfit		Inkl. pos 3, 12	



Utgåva Issue		Bildnr Picture No		ESTATE ROYAL MOTOR		ESTATE ROYAL ENGINE		Sida Page	
2003- 11		1560						128	
Pos. Fig.	Antal/Quantity				Art nr Part No	Benämning	Description	Sats Kit	Anmärkning Notes
	2533								
2	1				1136-0354-01	Bränsleslang	Fuel hose		
3	1				1136-0045-01	Slangklämma	Hose clamp		
4	1				1136-0046-01	Slangklämma	Hose clamp		
5	1				1136-0273-01	Oljeavtappningsrör	Oil drain tube		
6	1				1136-0066-01	Oljeavtappningsplugg	Oil drain plug		
7	2				1136-0054-01	Tätningring	Oil seal		
8	3				9997-0835-12	Skruv	Screw		
9	2				9677-0009-02	Låsbricka	Lock washer		
10	1				9799-0831-02	Mutter	Nut		
11	3				9739-0831-22	Mutter	Nut		
12	1				1136-0067-01	Avgasrör	Exhaust tube		
13	2				9683-0030-02	Låsbricka	Lock washer		
14	2				9988-3619-16	Skruv	Screw		
15	1				9997-0840-16	Skruv	Screw		
31	1				1136-1054-01	Ljuddämpare	Muffler		
32	2				9997-0820-16	Skruv	Screw		
33	2				9677-0009-02	Låsbricka	Lock washer		
34	2				1136-0004-01	Fyrkantmutter	Square nut		
35	1				1136-1048-01	Skydd	Guard		
36	2				9997-0816-16	Skruv	Screw		
37	2				9683-0030-02	Låsbricka	Lock washer		

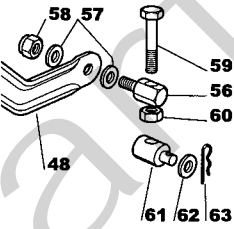
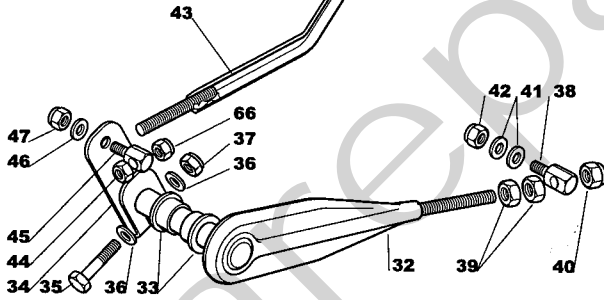
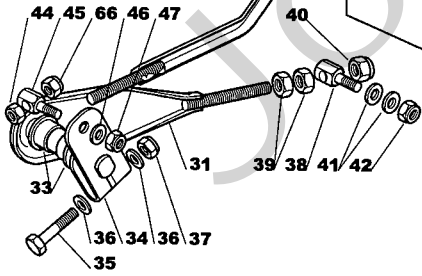
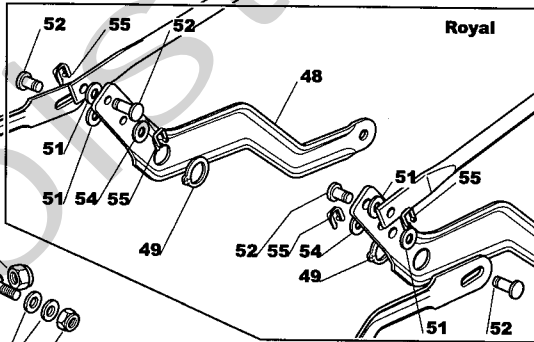
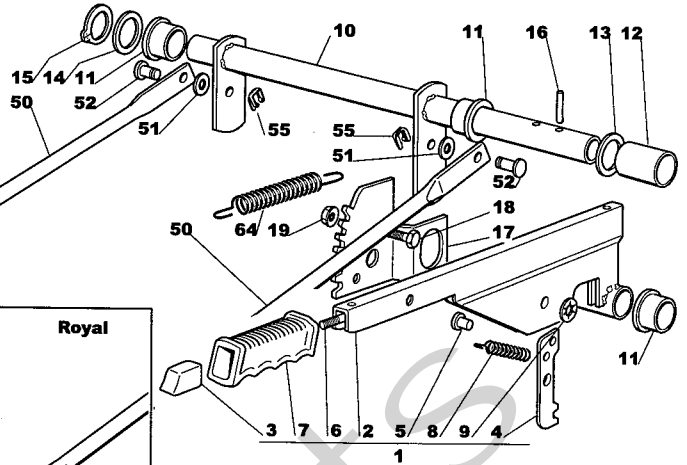
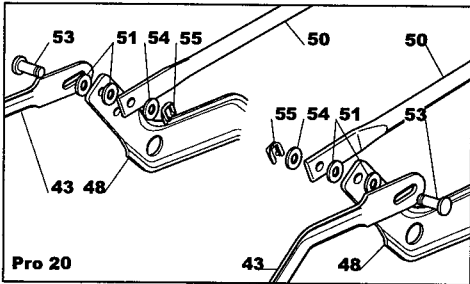


Utgåva Issue 2003-11		Bildnr Picture No 1450		ESTATE PRO 20 MOTOR		ESTATE PRO 20 ENGINE		Sida Page 130	
Pos. Fig.	Antal/Quantity				Art nr Part No	Benämning	Description	Sats Kit	Anmärkning Notes
	2535								
2	1				1136-0354-01	Bränsleslang.....	Fuel hose.....		
3	1				1136-0045-01	Slangklämma.....	Hose clamp.....		
4	1				1136-0046-01	Slangklämma.....	Hose clamp.....		
5	1				1136-0273-01	Oljeavtappningsrör.....	Oil drain tube.....		
6	1				1136-0066-01	Oljeavtappningsplugg.....	Oil drain plug.....		
7	2				1136-0054-01	Tätningarring.....	Oil seal.....		
8	1				9997-0840-16	Skruv.....	Screw.....		
9	2				9677-0009-02	Låsbricka.....	Lock washer.....		
10	1				9799-0831-02	Mutter.....	Nut.....		
11	3				9997-0835-12	Skruv.....	Screw.....		
12	3				9739-0831-22	Mutter.....	Nut.....		
13	1				1136-0843-01	Avgasrör-hö.....	Exhaust pipe- RH.....		
14	1				1136-0844-01	Avgasrör-vå.....	Exhaust pipe- LH.....		
15	4				9988-3619-16	Skruv.....	Screw.....		
16	4				9683-0030-02	Låsbricka.....	Lock washer.....		
17	3				9997-0620-16	Skruv.....	Screw.....		
18	3				9683-0025-02	Låsbricka.....	Lock washer.....		
31	1				1136-1053-01	Ljuddämpare.....	Muffler.....		
32	2				9997-0820-16	Skruv.....	Screw.....		
33	2				9677-0009-02	Låsbricka.....	Lock washer.....		
34	2				1136-0004-01	Fyrkantmutter.....	Square nut.....		
35	1				1136-1047-01	Skydd.....	Guard.....		
36	2				9997-0816-16	Skruv.....	Screw.....		
37	2				9683-0030-02	Låsbricka.....	Lock washer.....		

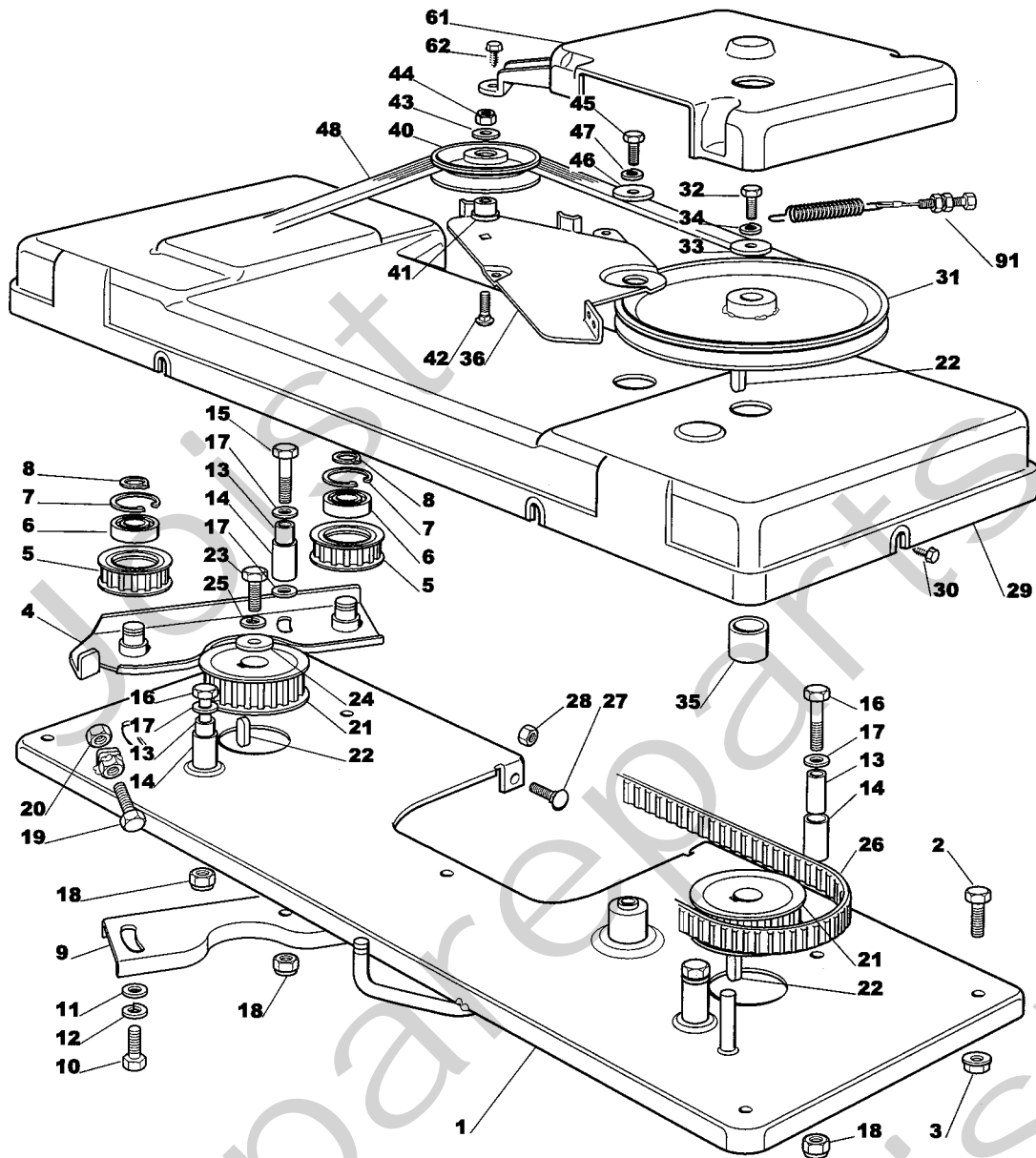


Utgåva Issue		Bildnr Picture No		ESTATE ROYAL ESTATE PRO 20 TRANSMISSION		ESTATE ROYAL ESTATE PRO 20 TRANSMISSION		Sida Page
2003-11		1242A						132
Pos. Fig.	Antal/Quantity			Art nr Part No	Benämning	Description	Sats Kit	Anmärkning Notes
	2533 2535							
1	1			1136-0297-01	Motorremskiva	Engine belt pulley		
2	1			9987-5376-12	Skruv	Screw		
3	1			9683-0045-02	Bricka	Washer		
4	1			1136-0434-01	Kilrem	V-belt		
5	1			1136-0499-01	Spännarm	Tension arm		
6	1			9997-0875-12	Skruv	Screw		
7	2			1136-0123-01	Bussning	Bushing		
8	1			9747-0831-02	Mutter	Lock nut		
9	1			1136-0173-01	Distans	Spacer		
10	1			1136-0289-01	Spännrulle	Idler pulley		
11	1			9699-0056-02	Planbricka	Flat washer		
12	1			9747-0831-02	Mutter	Lock nut		
13	1			1136-0351-01	Spännstång	Tie rod		
14	2			9799-0831-02	Mutter	Nut		
15	1			1136-0208-01	Fjäder	Spring		
17	1			1136-0290-01	Remrulle	Belt roller		
18	1			1136-0234-01	Pinnbult	Stud bolt		
19	1			9699-0056-02	Planbricka	Flat washer		
20	2			9747-0831-02	Mutter	Lock nut		
21	2			1136-0915-01	Remrulle	Belt roller		
22	1			1136-0174-01	Distans-vä	Spacer-LH		
23	1			1136-0170-01	Distans-hö	Spacer-RH		
24	1			9997-0840-16	Skruv	Screw		
25	1			9997-0850-16	Skruv	Screw		
26	2			9699-0056-02	Planbricka	Flat washer		
27	2			9747-0831-02	Mutter	Lock nut		
28	2			1136-0868-01	Lock	Cover		
29	1			1136-0168-01	Distans	Spacer		
30	1			1136-0048-01	Elektromagn. koppling	Elektromagn. clutch		
31	1			1136-0204-01	Fjäder	Spring		
41	1			1136-0052-01	Transaxel	Transaxle		
42	4			9997-0860-16	Skruv	Screw		
44	4			9739-0831-22	Mutter	Nut		
45	1			1136-0542-01	Fäste	Support		
46	1			9997-0845-12	Skruv	Screw		
47	2			9699-0090-02	Planbricka	Flat washer		
48	1			9747-0831-02	Mutter	Lock nut		
49	2			9847-8216-16	Skruv	Screw		
50	1			9997-0816-16	Skruv	Screw		
51	1			9739-0831-22	Mutter	Nut		
52	1			1136-0190-01	Arm	Lever		
53	1			9997-0820-16	Skruv	Screw		
54	1			1136-0006-01	Fjäderbricka	Elastic washer		
55	1			1136-0309-01	Bricka	Washer		
56	1			9747-0831-02	Mutter	Lock nut		
57	1			1136-0114-01	Stag	Rod		
58	1			9675-0009-02	Starlock	Starlock		
72	2			1136-0455-01	Fälg	Rim		
73	2			1136-0270-01	Däck (Turf Saver)	Tire (Turf Saver)		
73	2			1136-0272-01	Däck (Deli)	Tire (Deli)		
74	2			9545-0500-00	Ventil	Valve		
75	4			1136-0305-01	Bricka	Washer		
76	2			1136-0169-01	Distans	Spacer		
77	2			1136-0312-01	Bricka	Washer		
78	2			9652-0015-04	Låsring	Retaining ring		
79	2			1136-0081-01	Navkapsel	Hub cap		

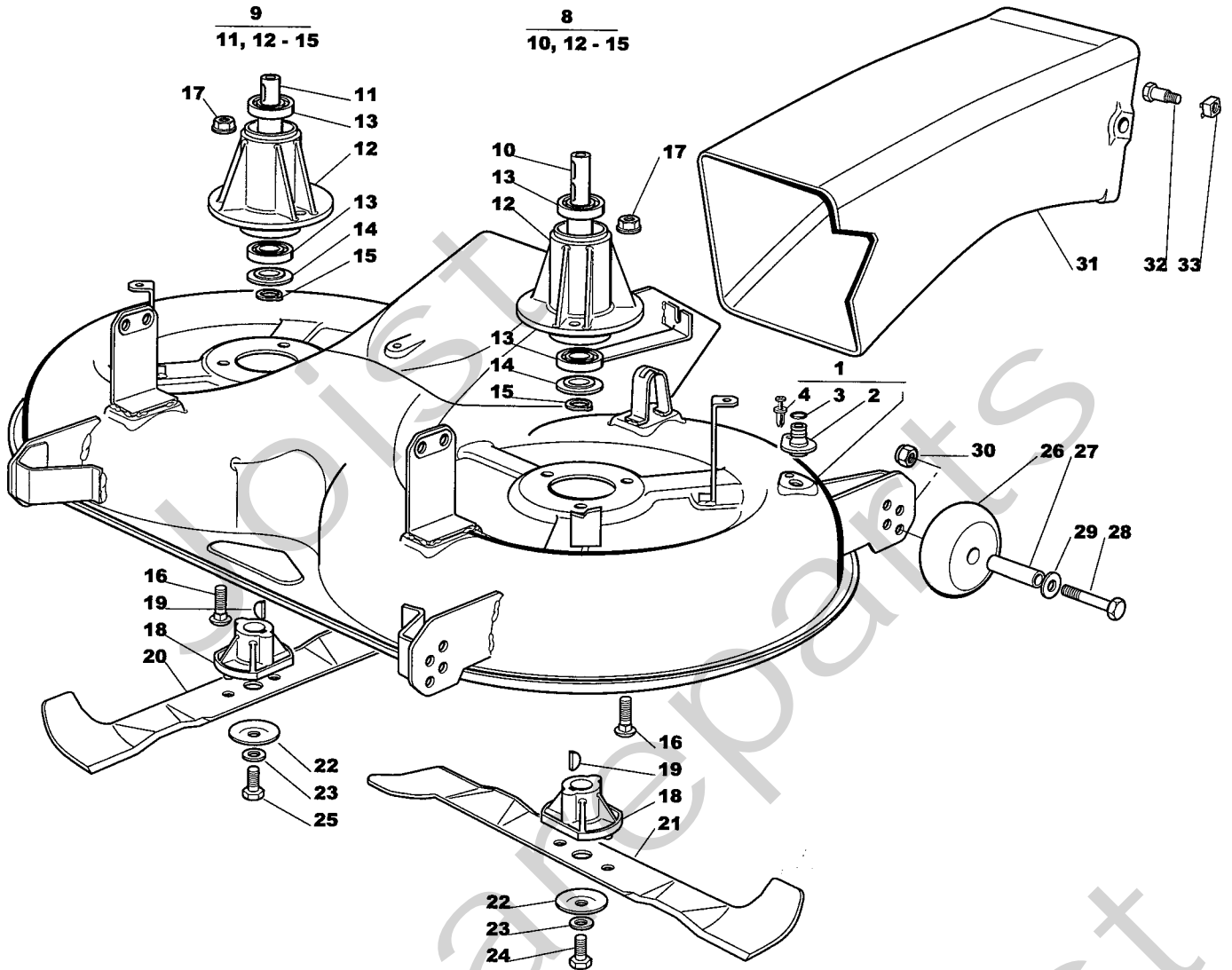
Kanzaki K46F



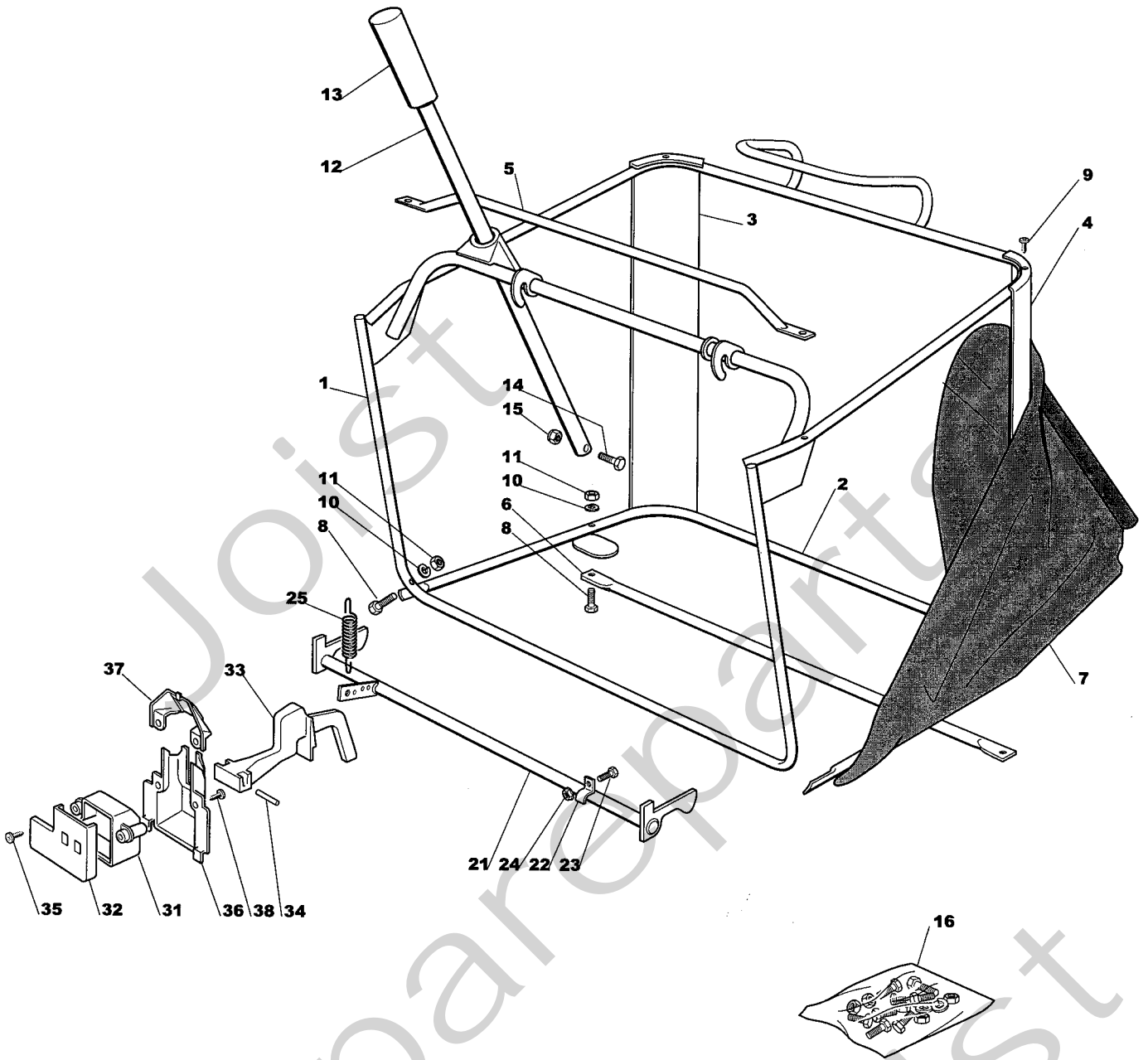
Utgåva Issue		Bildnr Picture No		ESTATE ROYAL ESTATE PRO 20 AGGREGATSLYFT		ESTATE ROYAL ESTATE PRO 20 MOWER DECK LIFT		Sida Page	
2003-11		1243A						134	
Pos. Fig.	Antal/Quantity			Art nr Part No	Benämning	Description	Sats Kit	Anmärkning Notes	
	2533	2535							
1	1	1		1136-0487-01	Lyftspak kpl	Lift lever assy.....		Inkl. pos 2 - 9	
2	1	1		1136-0493-01	• Lyftspak	• Lift lever			
3	1	1		1136-0298-01	• Tryckknapp	• Button			
4	1	1		1136-0222-01	• Spärrhake	• Dog			
5	1	1		1136-0227-01	• Sprint	• Pin			
6	1	1		1136-0105-01	• Tryckstäng	• Push rod			
7	1	1		1136-0193-01	• Handtag	• Handle			
8	1	1		1136-0203-01	• Fjäder	• Spring			
9	1	1		9675-0012-02	• Starlock	• Locking washer			
10	1	1		1136-0450-01	Lyftaxel	Lift axle			
11	3	3		1136-0078-01	Bussning	Bushing			
12	1	1		1136-0171-01	Distans	Spacer			
13	1	1		1136-0090-01	Bricka	Washer			
14	1	1		9699-0119-02	Bricka	Washer			
15	1	1		9650-0020-04	Spärring	Circlip			
16	2	2		9595-0235-00	Spännstift	Locating pin			
17	1	1		1136-0319-01	Höjdinställn.segmet	Height adjust sector			
18	2	2		9997-0816-16	Skruv	Screw			
19	2	2		9739-0831-22	Mutter	Nut			
31	1	1		1136-0497-01	Lyftarm fram-hö	Lift lever front- RH			
31		1		1136-1041-01	Lyftarm fram-hö	Lift lever front- RH			
32	1	1		1136-0498-01	Lyftarm fram-vä	Lift lever front- LH			
32		1		1136-1042-01	Lyftarm fram-vä	Lift lever front- LH			
33	4	4		1136-0127-01	Bussning	Bushing			
34	2	2		1136-0191-01	Lyftarm	Lift arm			
35	2	2		9997-0890-12	Skruv	Screw			
36	4	4		9699-0090-02	Planbricka	Flat washer			
37	2	2		9747-0831-02	Mutter	Lock nut			
38	2	2		1136-0243-01	Ledbult	Pivot bolt			
39	4	4		9799-1031-02	Mutter	Nut			
40	2	2		9747-1031-02	Låsmutter	Lock nut			
41	4	4		1136-0308-01	Bricka	Washer			
42	2	2		9747-1031-02	Låsmutter	Lock nut			
43	2	2		1136-0449-01	Förbindningsstäng- fr	Connecting rod- front			
44	2	2		9747-0831-02	Mutter	Lock nut			
45	2	2		1136-0242-01	Ledbult	Pivot bolt			
46	2	2		9699-0090-02	Planbricka	Flat washer			
47	2	2		9747-0831-02	Mutter	Lock nut			
48	2	2		1136-0189-01	Lyftarm- bak	Lift lever- rear			
49	2	2		9650-0019-04	Låsring	Retainer ring			
50	2	2		1136-0112-01	Förbindningsstäng- bak	Connecting rod- rear			
51	6	6		1136-0309-01	Bricka	Washer			
52	6	4		1136-0240-01	Sprint	Pin			
53		2		1136-0898-01	Sprint	Pin			
54	2	2		9699-0090-02	Planbricka	Flat washer			
55	6	4		1136-0009-01	Låsplatta	Lock plate			
56	2	2		1136-0243-01	Ledbult	Pivot bolt			
57	4	4		1136-0308-01	Bricka	Washer			
58	2	2		9747-1031-02	Låsmutter	Lock nut			
59	2	2		9997-1010-02	Skruv	Screw			
60	2	2		9799-1031-02	Mutter	Nut			
61	2	2		1136-0899-01	Ledbult	Pivot bolt			
62	2	2		1136-0808-01	Bricka	Washer			
63	2	2		1136-1129-01	Låsnål	Cotter pin			
64	1	1		1136-0207-01	Fjäder	Spring			
66	2	2		9799-0831-02	Mutter	Nut			



Utgåva Issue		Bildnr Picture No		ESTATE ROYAL ESTATE PRO 20 AGGREGATSINKOPPLING		ESTATE ROYAL ESTATE PRO 20 MOWER DECK ENGAGEMENT		Sida Page	
2003-11		1244						136	
Pos. Fig.	Antal/Quantity			Art nr Part No	Benämning	Description	Sats Kit	Anmärkning Notes	
	2533	2535							
1	1			1136-0513-01	Remtransm.platta	Belt transm. plate			
1		1		1136-1043-01	Remtransm.platta	Belt transm. plate			
2	4	4		9997-0816-16	Skruv	Screw			
3	4	4		9739-0831-22	Mutter	Nut			
4	1	1		1136-0539-01	Fäste	Support			
5	2			1136-0293-01	Remrulle	Belt roller			
5		2		1136-0913-01	Remrulle	Belt roller			
6	2	2		1136-0070-01	Kullager	Ball bearing			
7	2	2		9651-0035-04	Låsring	Lock ring			
8	2	2		9650-0015-04	Låsring	Lock ring			
9	1	1		1136-0299-01	Förstärkning	Reinforcement			
10	2	2		9997-0820-16	Skruv	Screw			
11	2	2		9699-0090-02	Planbricka	Flat washer			
12	2	2		9683-0030-02	Låsbricka	Lock washer			
13	4	4		1136-0159-01	Distans	Spacer			
14	4	4		1136-0122-01	Bussning	Bushing			
15	1	1		9997-0890-12	Skruv	Screw			
16	3	3		9997-0845-12	Skruv	Screw			
17	5	5		9699-0090-02	Planbricka	Flat washer			
18	4	4		9747-0831-02	Mutter	Lock nut			
19	1	1		9997-0860-16	Skruv	Screw			
20	1	1		9799-0831-02	Mutter	Nut			
21	2			1136-0294-01	Kuggremskiva	Toothed belt pulley			
21		2		1136-0914-01	Kuggremskiva	Toothed belt pulley			
22	3	3		1136-0001-01	Kil	Key			
23	1	1		9997-0820-16	Skruv	Screw			
24	1	1		1136-0307-01	Bricka	Washer			
25	1	1		9683-0030-02	Låsbricka	Lock washer			
26	1			1136-0436-01	Kuggrem	Toothed belt			
26		1		1136-1024-01	Kuggrem	Toothed belt			
27	3	3		9898-0616-16	Skruv	Screw			
28	3	3		9739-0631-22	Mutter	Nut			
29	1			1136-0129-01	Remhus	Belt housing			
29		1		1136-0863-01	Remhus	Belt housing			
30	6	6		9848-8013-16	Skruv	Screw			
31	1			1136-0288-01	Remskiva	Belt pulley			
31		1		1136-0912-01	Remskiva	Belt pulley			
32	1	1		9997-0820-16	Skruv	Screw			
33	1	1		1136-0307-01	Bricka	Washer			
34	1	1		9683-0030-02	Låsbricka	Lock washer			
35	1	1		1136-0158-01	Distans	Spacer			
36	1			1136-0185-01	Bromsarm	Brake lever			
36		1		1136-0884-01	Bromsarm	Brake lever			
40	1	1		1136-0290-01	Remrulle	Belt roller			
41	1	1		1136-0161-01	Distans	Spacer			
42	1	1		9898-0835-12	Skruv	Screw			
43	1	1		9699-0056-02	Planbricka	Flat washer			
44	1	1		9747-0831-02	Mutter	Lock nut			
45	1	1		9997-0820-16	Skruv	Screw			
46	1	1		1136-0014-01	Bricka	Washer			
47	1	1		9683-0030-02	Låsbricka	Lock washer			
48	1			1136-0435-01	Kilrem	V-belt			
48		1		1136-1023-01	Kilrem	V-belt			
61	1			1136-0284-01	Remskydd	Belt guard			
61		1		1136-0908-01	Remskydd	Belt guard			
62	3	3		1136-0816-01	Skruv	Screw			
91	1			1136-0462-01	Wire	Wire			
91		1		1136-1034-01	Wire	Wire			

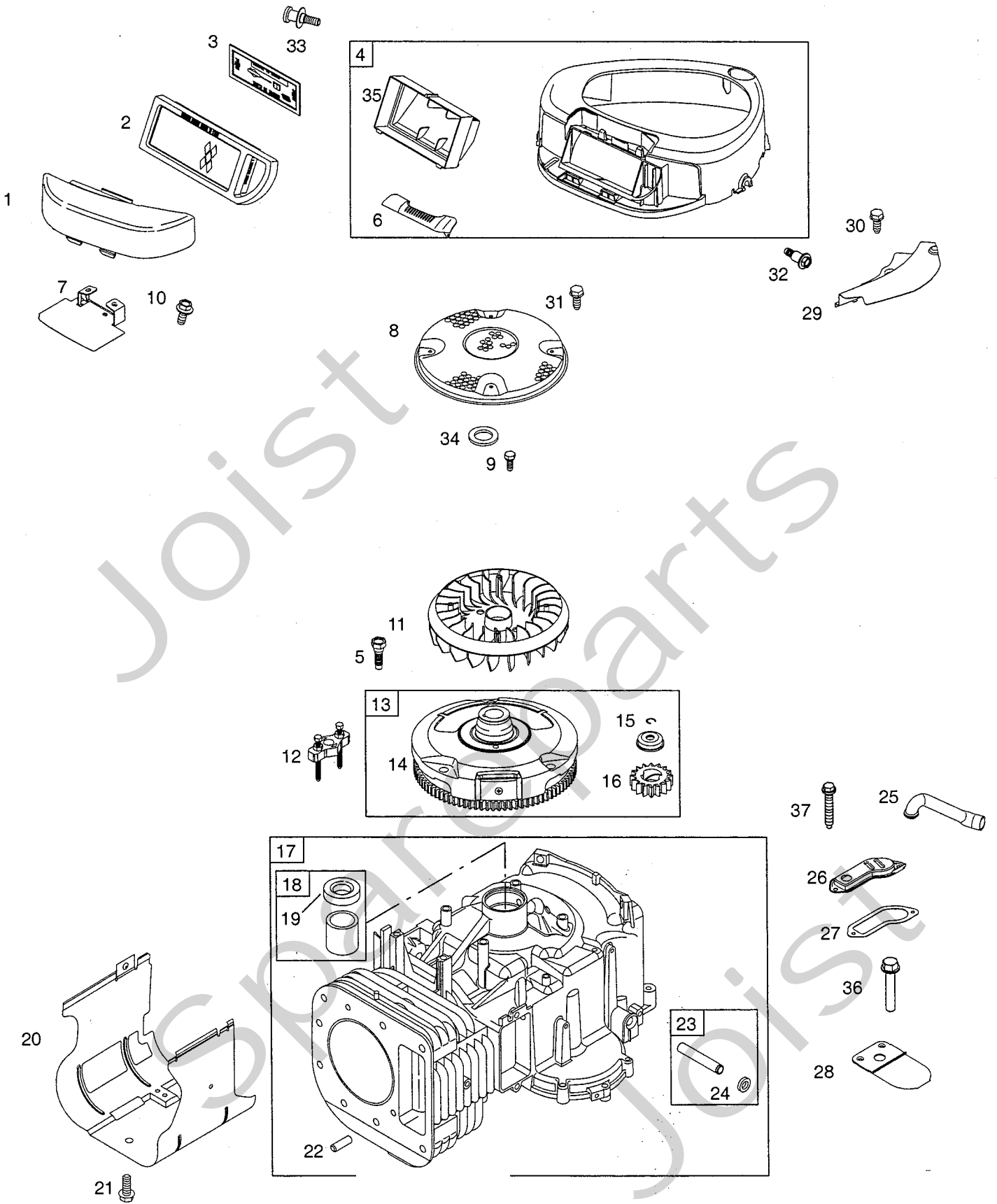


Utgåva Issue		Bildnr Picture No		ESTATE ROYAL ESTATE PRO 20 KLIPPAGGREGAT		ESTATE ROYAL ESTATE PRO 20 MOWER DECK		Sida Page
2003-11		1245A						138
Pos. Fig.	Antal/Quantity			Art nr Part No	Benämning	Description	Sats Kit	Anmärkning Notes
	2533	2535						
1	1			1136-1045-01	Klippaggregatskåpa	Mower deck casing		Inkl. pos 2 - 4
1		1		1136-1046-01	Klippaggregatskåpa	Mower deck casing		Inkl. pos 2 - 4
2	2	2		1136-0120-01	• Vattenslangnippel	• Water hose connection.....		
3	2	2		1136-0068-01	• O-ring.....	• O-ring		
4	2	2		1136-0012-01	• Nit.....	• Rivet.....		
8	1	1		1136-0479-01	Lagerbox kpl.....	Bearing box assy.....		Inkl. pos 10, 12 - 15
9	1	1		1136-0480-01	Lagerbox kpl.....	Bearing box assy.....		Inkl. pos 11, 12 - 15
10	1	1		1136-0097-01	• Knivaxel	• Blade shaft		
11	1	1		1136-0098-01	• Knivaxel	• Blade shaft		
13	4	4		1136-0069-01	• Kullager	• Ball bearing		
14	2	2		1136-0176-01	• Dammskydd	• Dust cover.....		
15	2	2		9650-0020-04	• Spårring.....	• Circlip		
16	6	6		9898-0825-16	Skruv	Screw		
17	6	6		9739-0831-22	Mutter.....	Nut		
18	2	2		1136-0221-01	Knivfäste.....	Blade hub		
19	2	2		9600-0014-00	Kil	Key		
20	1			1136-1031-01	Kniv- hö	Blade- RH		
20		1		1136-1033-01	Kniv- hö	Blade- RH		
21	1			1136-1030-01	Kniv- vä.....	Blade- LH		
21		1		1136-1032-01	Kniv- vä.....	Blade- LH		
22	2	2		1136-0083-01	Fjäderbricka	Elastic washer		
23	2	2		1136-0015-01	Bricka	Washer		
24	1	1		9987-5238-12	Knivbult	Blade bolt		
25	1	1		1136-0018-01	Knivbult (vä- gängad)	Blade bolt (L thread)		
26	4	4		1136-1052-01	Stödhjul	Anti scalp wheel		
27	4	4		1136-0900-01	Distans	Spacer		
28	4	4		9997-0880-16	Skruv	Screw		
29	4	4		9699-0056-02	Planbricka.....	Flat washer.....		
30	4	4		9739-0831-22	Mutter.....	Nut		
31	1	1		1136-0140-01	Utkaströr	Discharge chute		
32	2	2		1136-0238-01	Bult.....	Pin bolt		
33	2	2		1136-0004-01	Fyrkantmutter.....	Square nut		



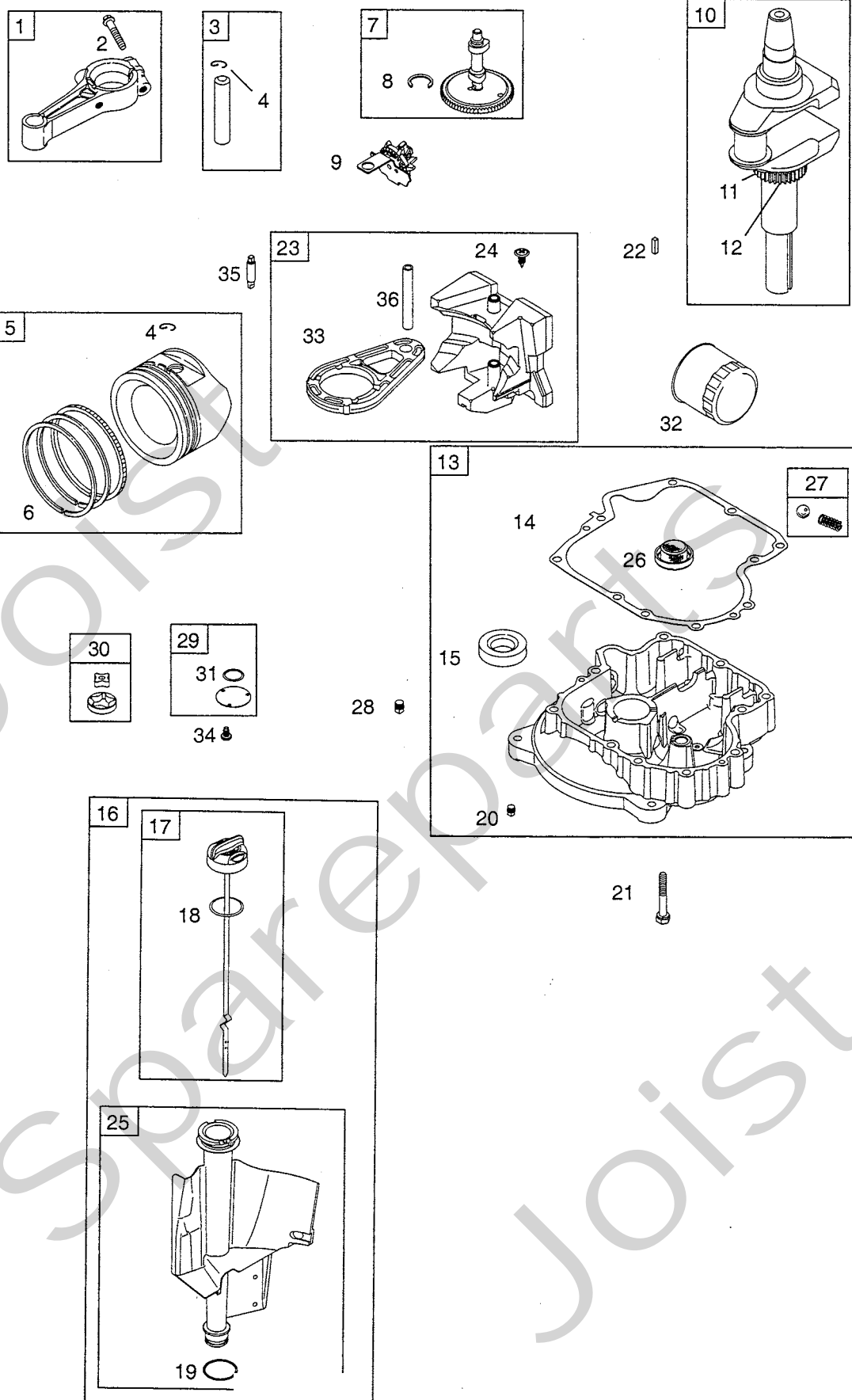
Utgåva Issue 2003- 11		Bildnr Picture No 1246A		ESTATE ROYAL ESTATE PRO 20 UPPSAMLARE		ESTATE ROYAL ESTATE PRO 20 GRASS CATCHER		Sida Page 140	
Pos. Fig.	Antal/Quantity			Art nr Part No	Benämning	Description	Sats Kit	Anmärkning Notes	
	2533 2535								
1	1			1136-0550-01	Ram- övre.....	Frame- upper.....			
2	1			1136-0544-01	Ram- nedre.....	Frame- lower.....			
3	1			1136-0101-01	Vinkelstöd- hö.....	Angle support- RH.....			
4	1			1136-0102-01	Vinkelstöd- vä.....	Angle support- LH.....			
5	1			1136-0501-01	Handtag- främre.....	Handle- front.....			
6	1			1136-0522-01	Förstärkningsstag.....	Reinforcement rod.....			
7	1			1136-0474-01	Uppsamlingsäck.....	Grass bag.....			
8	4			9997-0630-12	• Skruv.....	• Screw.....			
9	4			9847-8116-16	• Skruv.....	• Screw.....			
10	4			9683-0010-02	• Bricka.....	• Washer.....			
11	4			9799-0631-02	• Mutter.....	• Nut.....			
12	1			1136-0355-01	Spak.....	Lever.....			
13	1			1136-0195-01	Handtag.....	Handle.....			
14	1			9997-0630-12	• Skruv.....	• Screw.....			
15	1			9747-0631-02	• Låsmutter.....	• Lock nut.....			
16	1			1136-0600-01	Skrivsats.....	Screw set.....		Inkl. pos 8- 11,14- 15	
21	1			1136-0452-01	Spärrstång.....	Catch rod.....			
22	2			1136-0324-01	Bygel.....	Clamp.....			
23	2			9997-0616-16	Skruv.....	Screw.....			
24	2			9739-0631-22	Mutter.....	Nut.....			
25	1			1136-0204-01	Fjäder.....	Spring.....			
31	1			1136-0280-01	Brytarskydd.....	Micro protection.....			
32	1			1136-0281-01	Skyddslock.....	Protection cover.....			
33	1			1136-0186-01	Brytararm.....	Switch lever.....			
34	1			1136-0007-01	Axel.....	Pin.....			
35	1			9847-8013-16	Skruv.....	Screw.....			
36	1			1136-0282-01	Brytarskydd.....	Micro protection.....			
37	1			1136-0283-01	Skyddslock.....	Protection cover.....			
38	2			9847-8019-16	Skruv.....	Screw.....			

A



Utgåva Issue		Bildnr Picture No		BRIGGS & STRATTON 31G777 CYLINDER (A)		BRIGGS & STRATTON 31G777 CYLINDER (A)		Sida Page	
2003- 11		1565						218	
Pos. Fig.	Antal/Quantity			Art nr Part No	Benämning	Description	Sats Kit	Anmärkning Notes	
	31G 777- 0120								
X	A01	1		697446	Kåpa	Cover			
X	A02	1		698083	Filter	Filter			
X	A03	1		697015	Förfilter	Pre cleaner filter			
X	A04	1		698803	Fläkthus	Blower housing			
	A05	1		691658	Skruv	Screw			
X	A06	1		697135	• Spärr	• Latch			
X	A07	1		697125	Stöd	Support			
X	A08	1		697133	Roterande skydd	Rotating screen			
	A09	2		690372	Skruv	Screw			
	A10	2		690960	Skruv	Screw			
X	A11	1		697111	Fläkt	Fan			
	A12	1		19203	Avdragare	Puller			
	A13	1		693556	Svänghjul	Flywheel			
	A15	1		691265	• Låsring	• Retaining ring		Inkl. pos 14	
	A16	1		693713	• Drev	• Pinion gear			
X	A17	1		697174	Cylinder	Cylinder			
	A18	1		399265	• Bussning	• Bushing			
	A19	1		391086	•• Tätningsring	•• Seal			
X	A20	1		697107	Skydd	Cylinder shield			
	A21	1		691003	Skruv	Screw			
	A22	2		690959	• Tapp	• Locating pin			
	A23	1		692407	• Tätning	• Seal			
X	A24	1		697144	•• Bussning	•• Bushing			
X	A25	1		697113	Ventilationsrör	Breather tube			
X	A26	1		697112	Lock	Cover			
X	A27	1		697109	Packning	Gasket			
X	A28	1		697124	Ventil	Breather reed			
X	A29	1		697108	Skydd	Flywheel guard			
	A30	1		691003	Skruv	Screw			
X	A31	4		697897	Skruv	Screw			
X	A32	2		697102	Skruv	Screw			
X	A33	1		697103	Skruv	Screw			
	A34	1		690582	Bricka	Washer			
X	A35	1		698401	• Hållare	• Retainer			
X	A36	2		697104	Skruv	Screw			
X	A37	2		697157	Skruv	Screw			

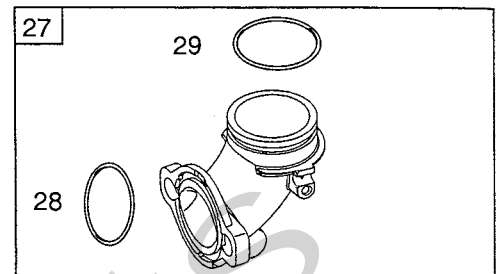
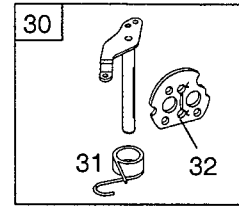
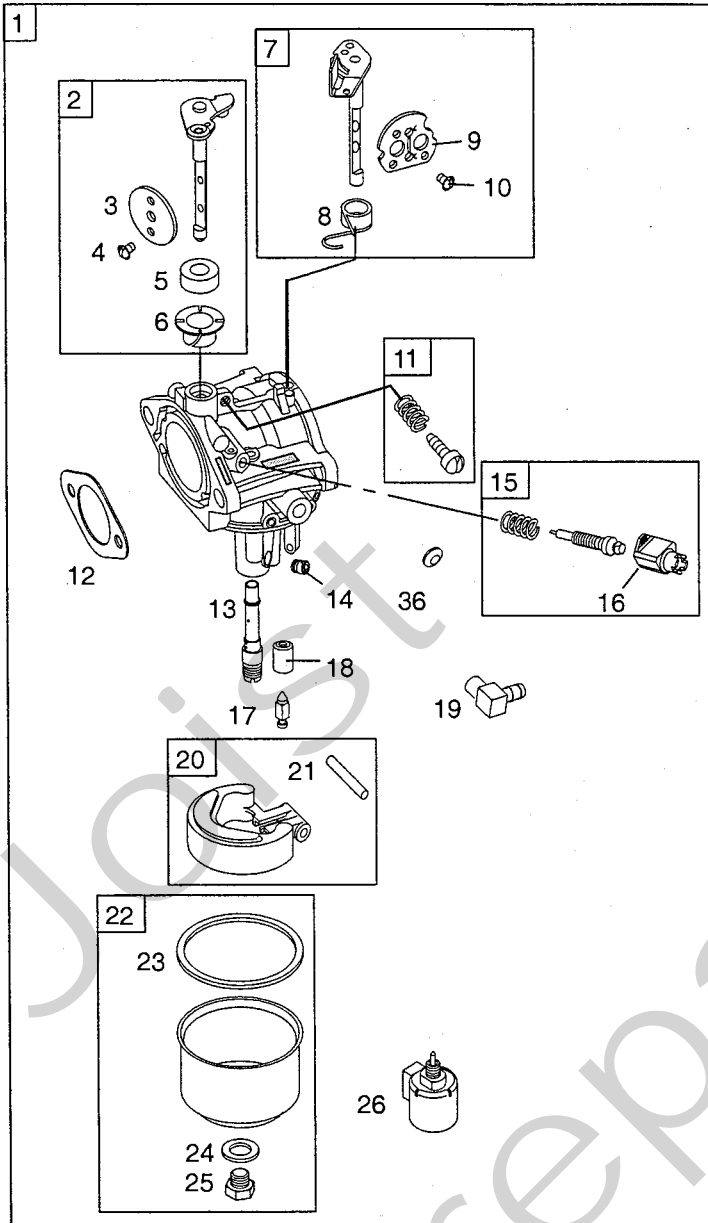
A



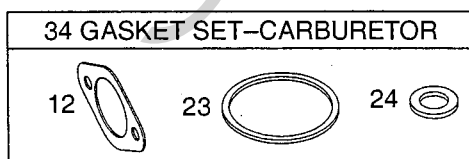
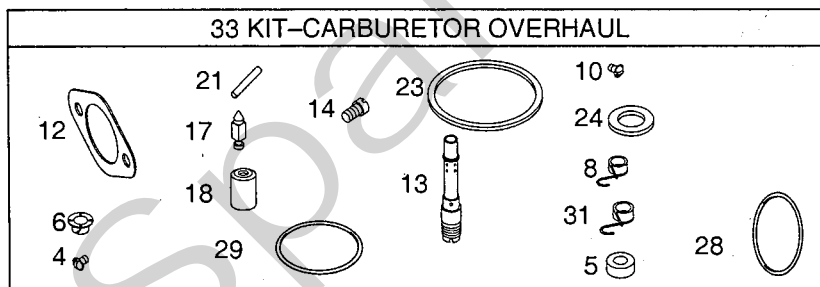
Utgåva Issue		Bildnr Picture No		BRIGGS & STRATTON 31G777 VEVAXEL (A)		BRIGGS & STRATTON 31G777 CRANKSHAFT (A)		Sida Page	
2003- 11		1566						220	
Pos. Fig.	Antal/Quantity			Art nr Part No	Benämning	Description	Sats Kit	Anmärkning Notes	
	31G 777- 0120								
X	A01	1		697126	Vevstake	Connecting rod		Standard .020" undersize	
X	A01	1		697263	Vevstake	Connecting rod			
X	A02	2		692852	• Skruv	• Screw			
X	A03	1		697099	Kolvbult	Piston pin			
X	A04	2		698469	• Låsring	• Lock			
X	A05	1		697159	Kolv kpl.	Piston assy	Standard .010" oversize		
X	A05	1		697160	Kolv kpl.	Piston assy			
X	A05	1		697162	Kolv kpl.	Piston assy020" oversize		
X	A05	1		697163	Kolv kpl.	Piston assy			
X	A06	1		697165	Kolvringssats	Ring set010" oversize		
X	A06	1		697171	Kolvringssats	Ring set			
X	A06	1		697172	Kolvringssats	Ring set020" oversize		
X	A06	1		697164	• Kolvringssats	• Ring set			
X	A06	1		698492	Kamaxel	Camshaft	Standard		
X	A07	1		698802	• Låsring	• Retaining ring			
X	A08	1		691968	Oljekastardrev	Oil slinger			
X	A10	1		697127	Vevaxel	Crankshaft			
X	A11	1		697128	• Drev	• Timing gear			
X	A12	1		691639	• Kil	• Timing key			
X	A13	1		697188	Vevhus	Engine sump			
X	A14	1		697110	• Packning	• Gasket			
X	A15	1		690947	• Tätningssring	• Oil seal			
X	A16	1		697611	Oljesticka kpl	Oil dipstick assy			
X	A17	1		697086	• Oljesticka	• Oil dipstick			
X	A18	1		691031	• O-ring	• O-ring			
X	A19	1		691032	• Tätning	• Tube seal			
X	A20	1		690946	• Avtappningsplugg	• Oil drain plug			
X	A21	8		692125	Skruv	Screw			
X	A22	1		222698	Kil	Key			
X	A23	1		697134	Motvikt	Counterweight			
X	A24	2		697156	• Plugg	• Plug			
X	A25	1		697184	• Oljerör	• Dipstick tube			
X	A26	1		690770	• Oljepumpnät	• Oil pump screen			
X	A27	1		491710	• Kula	• Ball			
X	A28	1		690283	Oljvattappningsplugg	Oil drain plug			
X	A29	1		499613	Oljepumplock	Oil pump cover			
X	A30	1		499054	Oljepump	Oil pump			
X	A31	1		690589	• O-ringstätning	• O-ring seal			
X	A32	1		492932	Oljefilter	Oil filter			
X	A33	1		697607	• Länk	• Link			
X	A34	3		691033	Skruv	Screw			
X	A35	1		693784	Oljepumpaxel	Oil pump shaft			
X	A36	1		697392	• Axel	• Pin			

Utgåva Issue		Bildnr Picture No		BRIGGS & STRATTON 31G777 TOPPLOCK (A)		BRIGGS & STRATTON 31G777 CYLINDER HEAD (A)		Sida Page	
2003-11		1567						222	
Pos. Fig.	Antal/Quantity			Art nr Part No	Benämning	Description	Sats Kit	Anmärkning Notes	
	31G 777- 0120								
X	A01	1		698147	Topplöck	Cylinder head			
X	A02	1		695761	• Insugningsventil	• Intake valve			
	A03	1		690968	• Ventilätätning	• Valve seal			
	A04	2		691752	• Ventilhållare	• Valve retainer			
X	A05	1		695760	• Utblåsningsventil	• Exhaust valve			
	A06	1		691279	• Ventilfjäder	• Valve spring			
	A07	1		691279	• Ventilfjäder	• Valve spring			
	A08	1		691843	• Ventilhuv	• Valve cap			
	A09	1		692410	• Packning	• Gasket			
	A10	1		692236	• Packning	• Gasket			
	A11	1		272475	• Packning	• Gasket			
	A12	1		690822	• Stötstångsstyrning	• Push rod guide			
	A13	4		691095	• Pinnbult	• Stud			
	A14	2		691751	• Vipparm	• Rocker arm			
	A15	2		691986	• Vipparmsjustering	• Rocker arm adjuster			
	A16	1		692138	• O-ring	• O-ring			
	A17	8		690360	Skruv	Screw			
	A18	1		692003	Stötstång- insug	Push rod- intake			
	A18	1		692011	Stötstång- utblås	Push rod- exhaust			
	A19	2		690564	Ventillyftare	Valve tappet			
	A20	1		691909	Tändstiftshylsa	Spark plug boot			
	A21	1		9400-0244-00	Tändstift	Spark plug			
	A22	1		89838	Tändstiftsnyckel	Spark plug wrench			
	A23	1		690193	Insugningsrör	Intake manifold			
	A24	1		692137	• Packning	• Gasket			
	A25	1		692492	Ventilkåpa	Rocker cover			
	A26	4		690960	Skruv	Screw			
	A27	2		691148	Skruv	Screw			
	A28	2		690227	Pinnbult	Stud			
	A29	2		690958	Mutter	Nut			

A

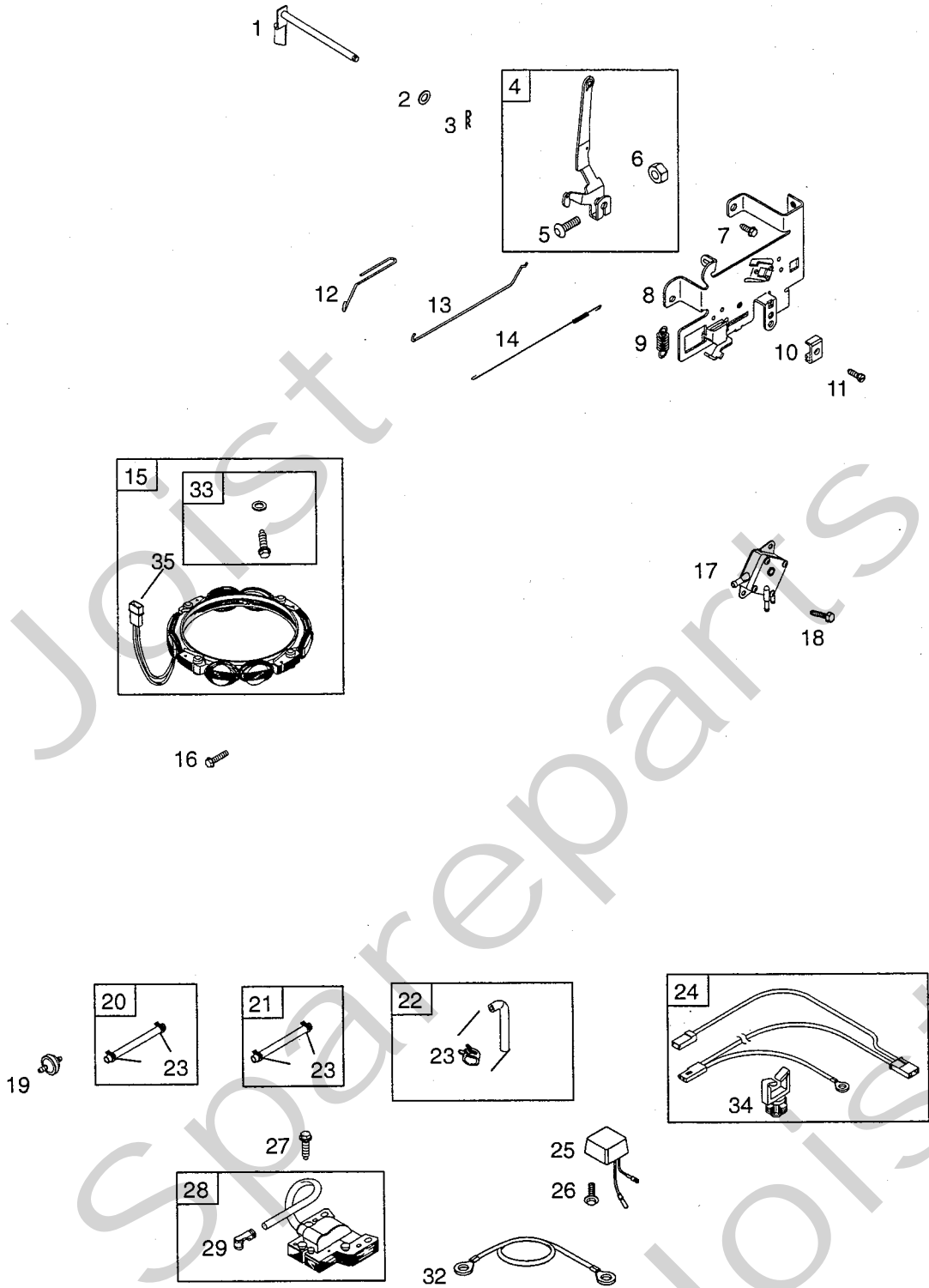


35



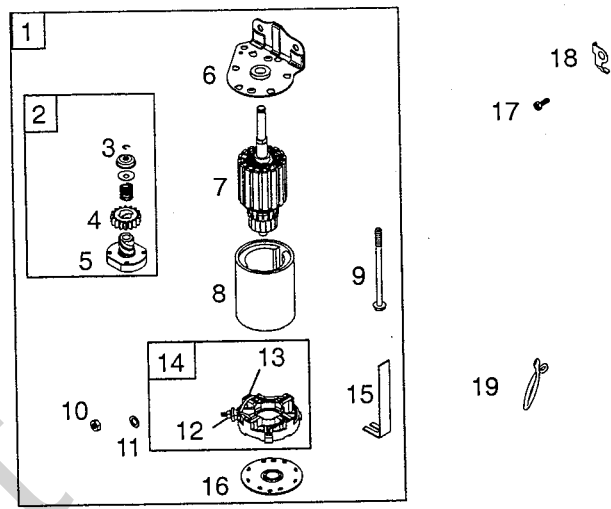
Utgåva Issue		Bildnr Picture No		BRIGGS & STRATTON 31G777 FÖRGASARE (A)		BRIGGS & STRATTON 31G777 CARBURETTOR (A)		Sida Page	
2003-11		1568						224	
Pos. Fig.	Antal/Quantity			Art nr Part No	Benämning	Description	Sats Kit	Anmärkning Notes	
	31G 777- 0120								
X	A01	1		697190	Förgasare kpl.....	Carburettor assy			
	A02	1		494379	• Spjällaxel	• Shaft			
	A03	1		691750	•• Spjäll.....	•• Throttle valve.....			
	A04	2		691636	•• Skruv	•• Screw			
	A05	1		691326	•• Axeltätning.....	•• Shaft seal			
	A06	1		690602	•• Axelbussning	•• Shaft bushing			
	A07	1		495097	• Chokeaxel	• Choke shaft			
	A08	1		690801	• Fjäder o tätning.....	•• Spring and seal			
	A09	1		690464	•• Chokespjäll	•• Choke valve			
	A10	2		691636	•• Skruv	•• Screw			
	A11	1		495800	• Justerskruv.....	• Idle adjust screw			
	A12	1		692137	• Packning.....	• Gasket			
X	A13	1		697140	• Munstycke	• Nozzle			
X	A14	1		694352	• Huvudmunstycke.....	• Main jet			
	A15	1		498030	• Nålventil.....	• Needle valve			
	A16	1		691333	•• Begränsningshuv.....	•• Limiter cap			
	A17	1		231855	• Nålventil.....	• Inlet needle valve.....			
	A18	1		690577	• Säte	• Inlet seat			
X	A19	1		698174	• Nippel	• Hose connector			
	A20	1		494381	• Flottör	• Float			
	A21	1		690525	•• Flottöraxel.....	•• Float hinge pin.....			
	A22	1		495933	• Flottörhus	• Bowl			
	A23	1		281165	•• Packning	•• Gasket			
	A24	1		692255	•• Tätningsbricka	•• Sealing washer			
	A25	1		691657	•• Skruv	•• Float bowl screw			
X	A26	1		694393	• Solenoid	• Solenoid			
X	A27	1		697122	• Insugningsrör.....	• Intake elbow.....			
	A28	1		691917	• O- ring.....	• O- ring			
X	A29	1		697123	• O- ring.....	• O- ring			
	A30	1		495931	• Chokeaxel	• Choke shaft			
	A31	1		690802	• Fjäder o tätning.....	• Spring and seal			
	A32	1		692344	• Chokespjäll	• Choke valve			
X	A33	1		697241	• Rep.sats- förgasare.....	• Carb. overhaul kit.....			
	A34	1		690192	• Packn.sats- förg.....	• Gasket set- carb.			
X	A35	1		697228	• Huvudmunstycke.....	• Main jet		High altitude	
	A36	1		695005	• Expansionsplugg	• Welch plug			

A

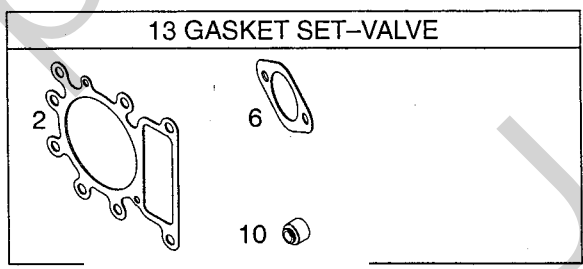
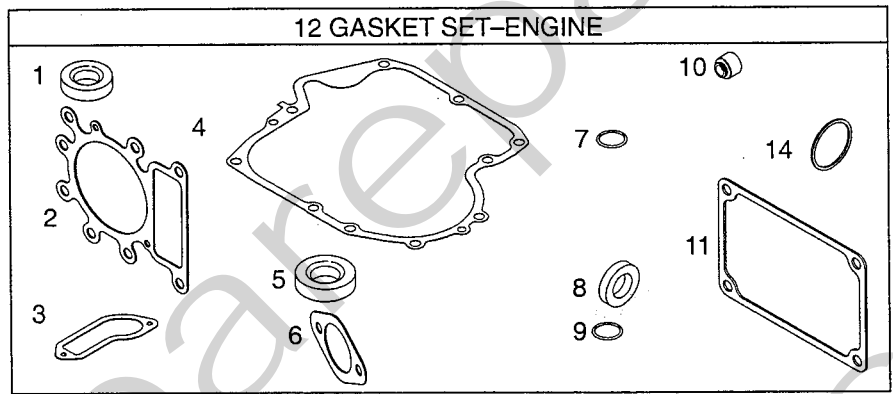


Utgåva Issue		Bildnr Picture No		BRIGGS & STRATTON 31G777 REGULATOR (A) TÄNDNING (A)		BRIGGS & STRATTON 31G777 GOVERNOR (A) IGNITION (A)		Sida Page 226	
Pos. Fig.	Antal/Quantity				Art nr Part No	Benämning	Description	Sats Kit	Anmärkning Notes
	31G 777- 0120								
A01	1				692012	Regulatoraxel.....	Governor crank		
A02	1				691691	Bricka	Washer		
A03	1				691620	Låsnål	Cotter pin		
A04	1				691374	Regulatorarm.....	Governor lever		
A05	1				691119	• Bult	• Bolt		
A06	1				691251	• Mutter	• Nut		
A07	2				691693	Skruv	Screw		
A08	1				694042	Reglageplåt.....	Control bracket		
A09	1				691795	Regulatorfjäder.....	Governor spring		
A10	1				691024	Klämma	Clamp		
A11	1				690804	Skruv	Screw		
A12	1				691840	Chokelänk.....	Choke link		
A13	1				691841	Regulatorfänk	Governor link		
A14	1				691842	Fjäder.....	Spring		
A15	1				696458	Generator.....	Alternator		
A16	4				691183	Skruv	Screw		
X A17	1				697090	Bränslepump	Fuel pump		
A18	2				694476	Skruv	Screw		
A19	1				298090	Bränslefilter	Fuel filter		
A20	1				691050	Bränsleslang	Fuel line		
X A21	1				697091	Vakumslang.....	Vacuum hose		
X A22	1				697098	Bränsleslang.....	Fuel line		
A23	6				95162	• Slangklämma.....	• Hose clamp		
A24	1				692037	Kablage.....	Wiring harness.....		
A25	1				691185	Regulator	Regulator		
X A26	1				697348	Skruv	Screw		
A27	2				691061	Skruv	Screw		
A28	1				492341	Tändsystem	Armature magneto		
A29	1				692424	• Anslutningskontakt.....	• Terminal		
X A32	1				697089	Kabel	Stop wire		
X A33	1				698516	• Skruv/bricka	• Screw/washer kit.....		
A34	1				691335	• Kabelklämma	• Wire clip		
A35	1				399916	• Anslutning	• Connector		

A

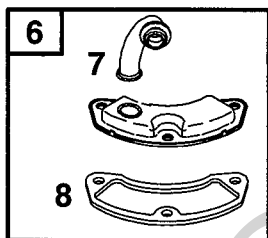
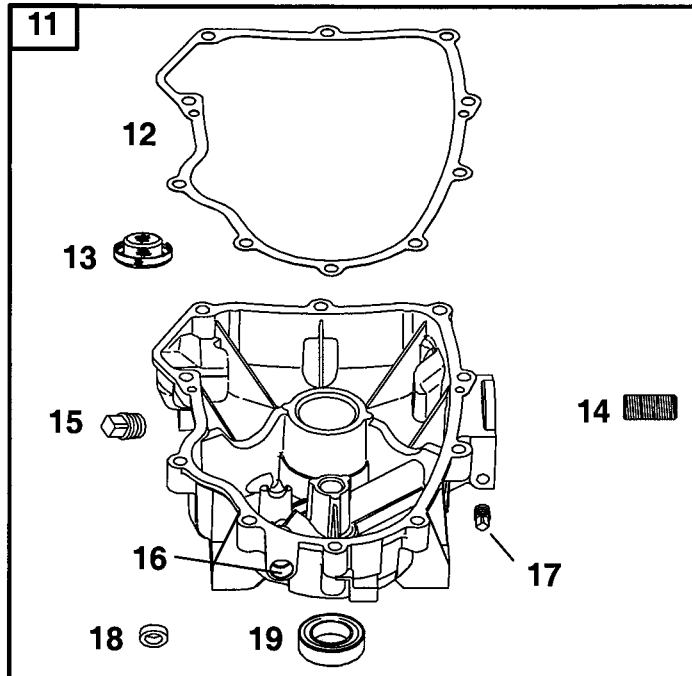
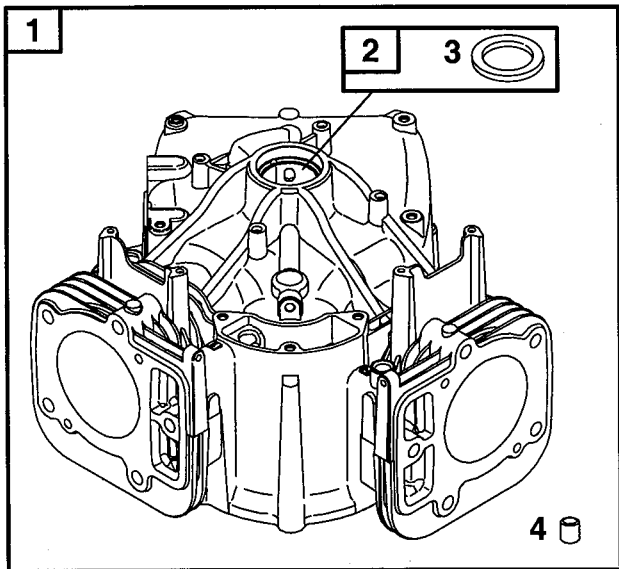


B

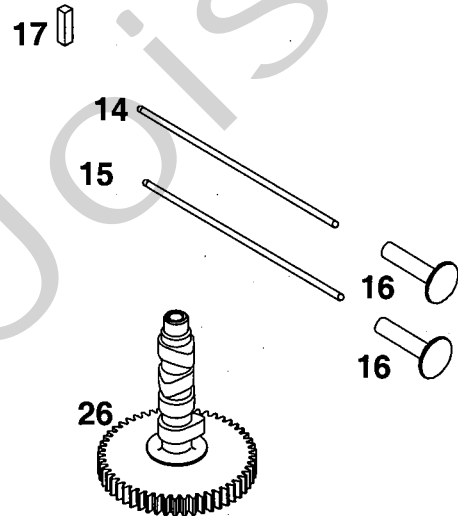
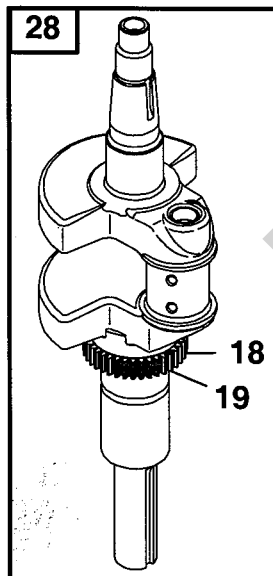
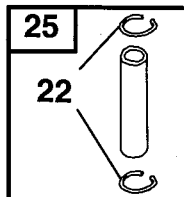
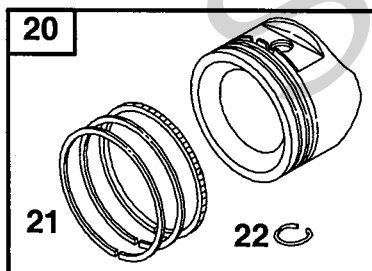
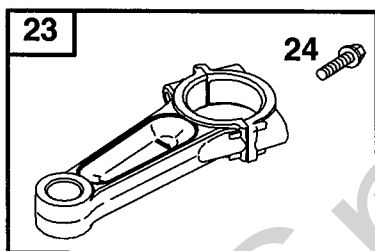
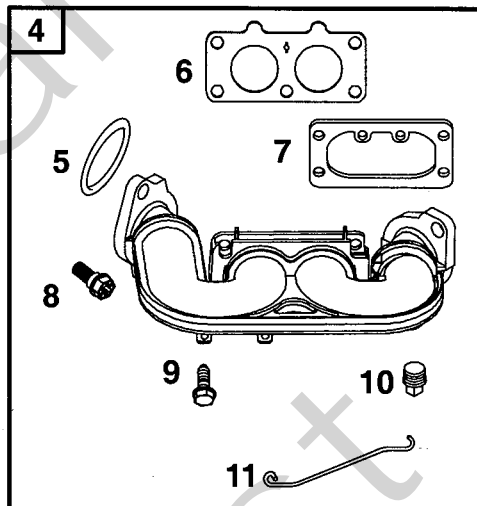
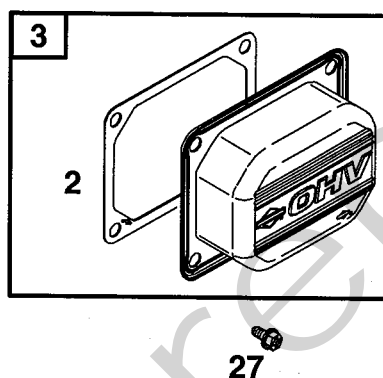
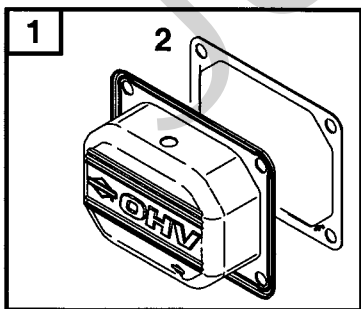


Utgåva Issue		Bildnr Picture No		BRIGGS & STRATTON 31G777 STARTMOTOR (A) PACKNINGSSATS (B)		BRIGGS & STRATTON 31G777 STARTER MOTOR (A) GASKET SET (B)		Sida Page	
2003- 11		1570						228	
Pos. Fig.	Antal/Quantity			Art nr Part No	Benämning	Description	Sats Kit	Anmärkning Notes	
	31G 777- 0120								
A01	1			693551	Startmotor kpl	Starter motor assy			
A02	1			693699	• Startdrev	• Starter drive			
A03	1			691265	•• Låsring	•• Retaining ring			
A04	1			693713	•• Drev	•• Pinion gear			
A05	1			692024	•• Koppling	•• Drive clutch			
A06	1			691283	• Lock	• Drive cap			
A07	1			692034	• Rotor	• Armature			
A08	1			693757	• Startmotorhus	• Starter housing			
A09	2			690323	• Bolt	• Bolt			
A10	1			691029	• Mutter	• Nut			
A11	1			691261	• Bricka	• Washer			
A12	1			693167	•• Mutter	•• Nut			
A13	1			497608	•• Släpkolssats	•• Brush set			
A14	1			691293	• Borsthållare	• Brush retainer			
A15	1			691532	• Stag	• Strap			
A16	1			691286	• Botten	• End cap			
A17	1			690372	Skruv	Screw			
X A18	1			691224	Kabelklämma	Wire clip			
A19	1			694123	Kabelklämma	Wire clip			
B01	1			391086	• Tätningsring	• Seal			
B02	1			692410	• Packning	• Gasket			
X B03	1			697109	• Packning	• Gasket			
X B04	1			697110	• Packning	• Gasket			
B05	1			690947	• Tätningsring	• Oil seal			
B06	1			692137	• Packning	• Gasket			
B07	1			691032	• Tätning	• Tube seal			
B08	1			692407	• Tätning	• Seal			
B09	1			691031	• O- ring	• O- ring			
B10	1			690968	• Ventiltätning	• Valve seal			
B11	1			272475	• Packning	• Gasket			
X B12	1			697191	Packningssats	Gasket set			
B13	1			690190	Rep.sats- ventil	Overhaul kit- valve			
B14	1			692138	• O- ring	• O- ring			

A

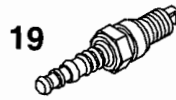
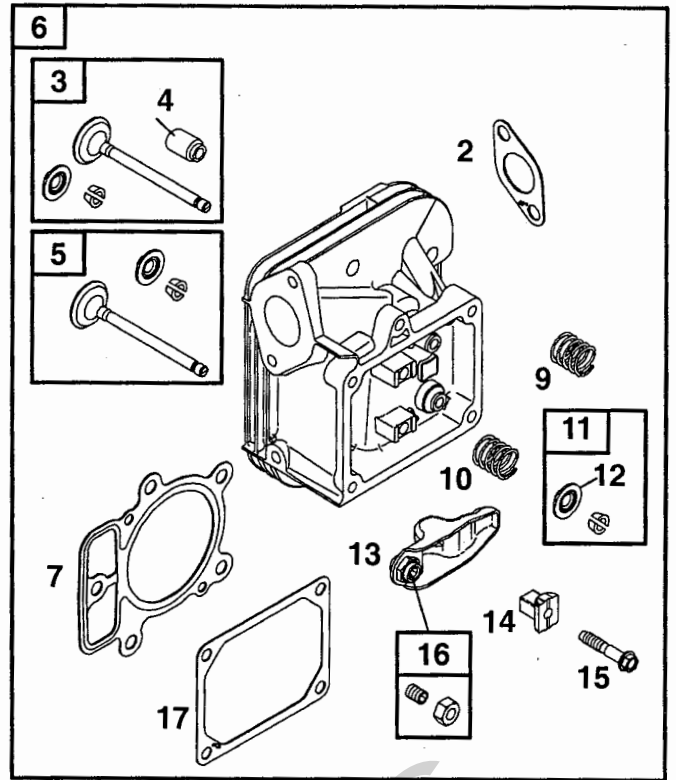
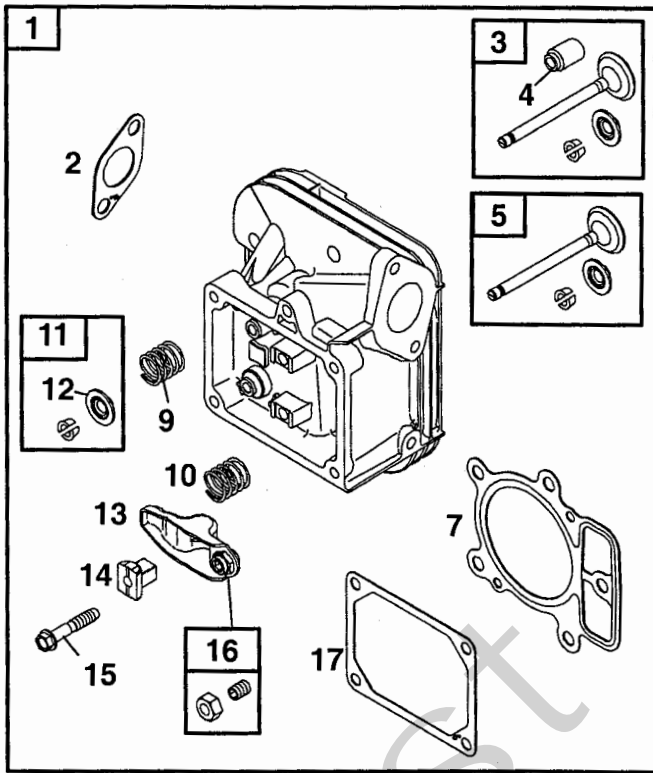


B

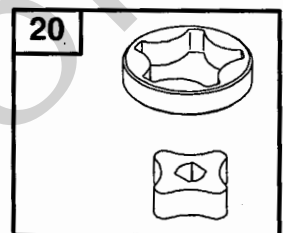
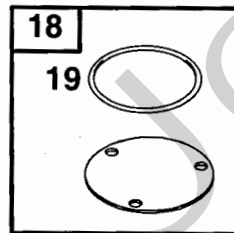
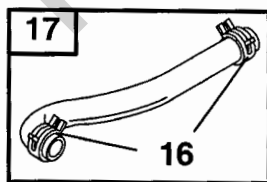
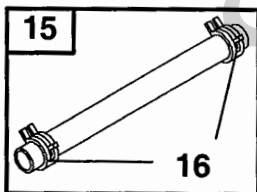
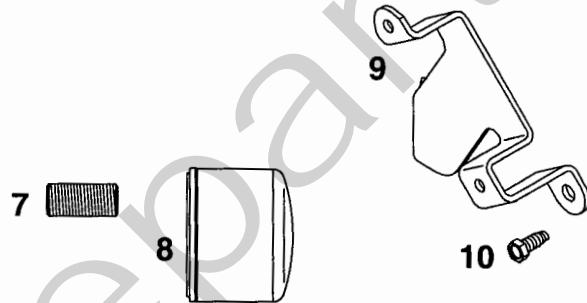
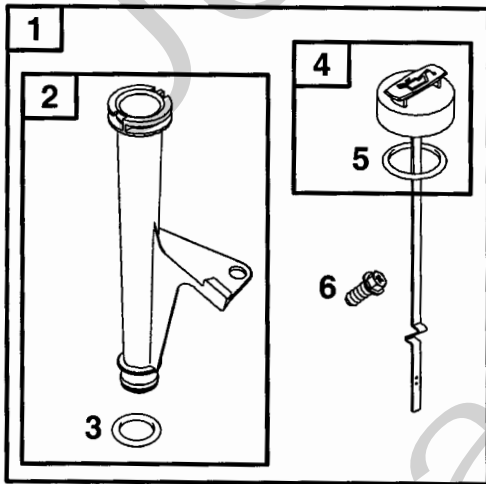


Utgåva Issue		Bildnr Picture No		BRIGGS & STRATTON 407777 CYLINDER (A) VEVAXEL (B)		BRIGGS & STRATTON 407777 CYLINDER (A) CRANKSHAFT (B)		Sida Page 230	
Pos. Fig.	Antal/Quantity			Art nr Part No	Benämning	Description	Sats Kit	Anmärkning Notes	
	407 777- 0117								
A01	1			690231	Cylinder kpl.....	Cylinder assy.....			
A02	1			499585	• Bussning.....	• Bushing.....			
A03	1			391086	• Tätningsring	• Seal			
A04	2			690959	• Tapp.....	• Locating pin			
A05	3			690960	Skruv.....	Screw.....			
A06	1			499601	Ventil kpl.....	Breather assy			
A07	1			690942	• Rör	• Breather tube			
A08	1			690937	• Packning.....	• Gasket.....			
A09	1			690956	Oljesamlare.....	Oil collector.....			
A10	1			690957	Hållare	Breather retainer			
A11	1			690069	Vevhus kpl.....	Engine sump assy.....			
A12	1			690945	• Packning.....	• Gasket.....			
A13	1			690770	• Oljepumpnät	• Oil pump screen.....			
A14	1			690954	• Oljefilternippel.....	• Oil filter nipple.....			
A15	1			690946	• Avtappningsplugg.....	• Oil drain plug.....			
A16	1			690552	• Bussning.....	• Bushing.....			
A17	1			690283	• Oljvattningsplugg.....	• Oil drain plug.....			
A18	1			690657	• Tätning	• Governor shaft seal			
A19	1			690947	• Tätningsring	• Oil seal			
A20	1			491657	Oljetrycksgivare.....	Oil pressure switch			
A21	10			694966	Skruv.....	Screw.....			
B01	1			499599	Ventilkåpa.....	Rocker arm cover.....			
B02	2			690971	• Packning.....	• Gasket.....			
B03	1			499600	Ventilkåpa.....	Rocker arm cover.....			
B04	1			695241	Insugningsrör.....	Intake manifold			
B05	2			691917	• O- ring.....	• O- ring.....			
B06	1			690950	• Packning.....	• Intake gasket.....			
B07	1			691001	• Packning.....	• Air cleaner gasket.....			
B08	4			695240	• Skruv.....	• Screw.....			
B09	2			695239	• Skruv.....	• Screw.....			
B10	1			690283	• Oljvattningsplugg.....	• Oil drain plug.....			
B11	1			695238	• Spjällänk.....	• Throttle link.....			
B12	4			690958	Mutter.....	Nut.....			
B13	4			690951	Pinnbult.....	Stud.....			
B14	2			690981	Stötstång (stål).....	Push rod (steel).....			
B15	2			690982	Stötstång (alum).....	Push rod (alum).....			
B16	4			690977	Ventillyftare	Valve tappet			
B17	1			222698	Kil.....	Key.....			
B18	1			690979	• Kil.....	• Timing key.....			
B19	1			690980	• Drev.....	• Timing gear.....			
B20	2			499588	Kolv kpl.....	Piston assy.....	Standard		
B20	2			499589	Kolv kpl.....	Piston assy.....	.010" oversize		
B20	2			499590	Kolv kpl.....	Piston assy.....	.020" oversize		
B20	2			499591	Kolv kpl.....	Piston assy.....	.030" oversize		
B21	2			499604	• Kolvringsatts.....	• Ring set.....	Standard		
B21	2			499605	• Kolvringsatts.....	• Ring set.....	.010" oversize		
B21	2			499606	• Kolvringsatts.....	• Ring set.....	.020" oversize		
B21	2			499607	• Kolvringsatts.....	• Ring set.....	.030" oversize		
B22	4			690975	• Låsring	• Lock ring.....			
B23	2			499583	Vevstake	Connecting rod			
B24	4			690976	• Skruv.....	• Screw.....			
B25	2			690229	Kolvbult.....	Piston pin.....			
B26	1			690978	Kamaxel.....	Camshaft.....			
B27	8			691127	Skruv.....	Screw.....			
B28	1			691046	Vevaxel.....	Crankshaft.....			
B29	1			691022	Chokelänk.....	Choke link.....			

A



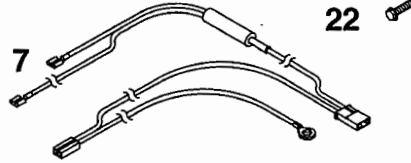
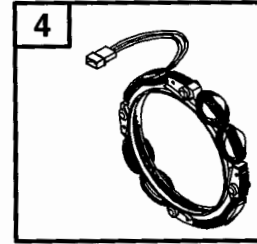
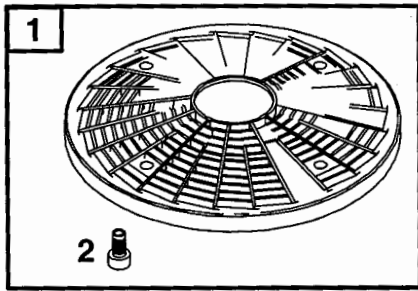
B



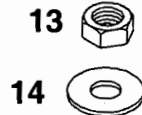
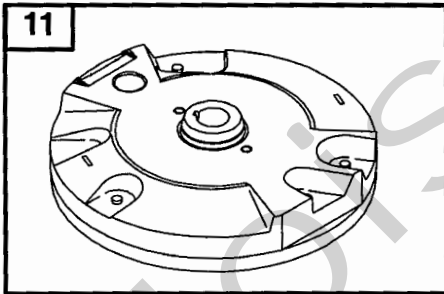
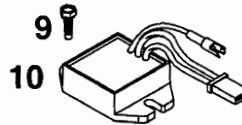
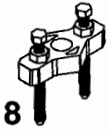
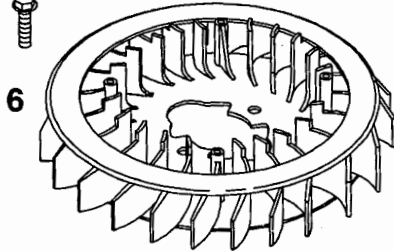
Utgåva Issue		Bildnr Picture No		BRIGGS & STRATTON 407777 TOPPLOCK (A) BRÄNSLE, SMÖRJN. (B)		BRIGGS & STRATTON 407777 CYLINDER HEAD (A) FUEL, LUBRICATION (B)		Sida Page 232	
Pos. Fig.	Antal/Quantity				Art nr Part No	Benämning	Description	Sats Kit	Anmärkning Notes
	407 777- 0117								
A01	1				693998	Topplöck	Cylinder head		Cylinder #1
A02	2				690970	• Packning- utblås	• Gasket- exhaust		
A03	2				499597	• Insugningsventil	• Intake valve		
A04	2				690968	• Ventilätätning	• Valve seal		
A05	2				499596	• Utblåsningsventil	• Exhaust valve		
A06	1				693999	Topplöck	Cylinder head		Cylinder #2
A07	2				690962	• Topplöckspackning	• Cylinder head gasket		
A08	1				19374	Tändstiftsnyckel	Spark plug wrench		
A09	2				690963	• Ventilfjäder	• Valve spring		
A10	2				690963	• Ventilfjäder	• Valve spring		
A11	4				499586	• Ventilhållare	• Valve keeper		
A12	4				690964	• Ventilhållare	• Valve retainer		
A13	4				690972	• Vipparm	• Rocker arm		
A14	4				690973	• Vipparmsstyrning	• Rocker arm pivot		
A15	4				690967	• Skruv	• Screw		
A16	4				690083	• Ventiljustering	• Rocker arm adjuster		
A17	2				690971	• Packning	• Gasket		
A18	10				690360	Skruv	Screw		
A19	2				9400-0244-00	Tändstift	Spark plug		
B01	1				499602	Oljesticka kpl	Dipstick assy		
B02	1				691037	• Oljepåfyllningsrör	• Dipstick tube		
B03	1				691032	• Tätning	• Tube seal		
B04	1				691036	• Oljesticka	• Dipstick		
B05	1				691031	• O-ring	• O-ring		
B06	1				690960	• Skruv	• Screw		
B07	1				690954	Oljefilternippel	Oil filter nipple		
B08	1				492932	Oljefilter	Oil filter		
B09	1				691039	Hållare	Fuel pump bracket		
B10	2				690960	Skruv	Screw		
B11	1				691035	Bränslefilter	Fuel filter		
B12	2				690960	Skruv	Screw		
B13	1				808656	Bränslepump	Fuel pump		
B14	1				694000	Vakumslang	Vacuum hose		
B15	1				691050	Bränsleslang	Fuel line		
B16	4				95162	• Slangklämma	• Hose clamp		
B17	1				693180	Bränsleslang	Fuel line		
B18	1				499613	Oljepumplock	Oil pump cover		
B19	1				690589	• O-ringstätning	• O-ring seal		
B20	1				499054	Oljepump	Oil pump		
B21	3				691033	Skruv	Screw		
B22	1				691042	Pumpaxel	Pump shaft		

A

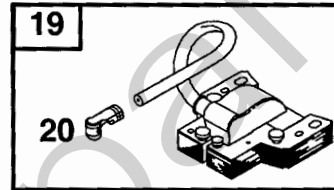
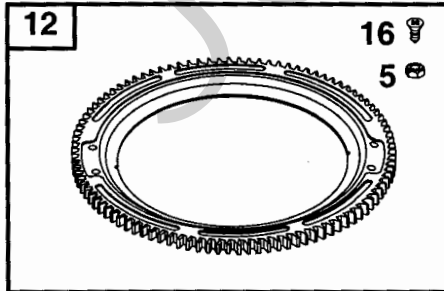
23 



15 

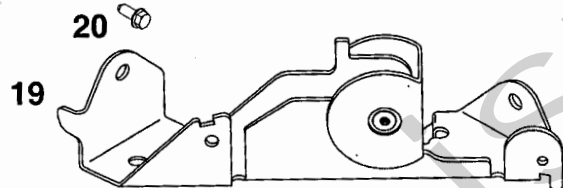
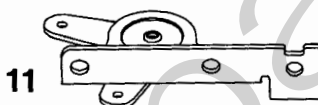
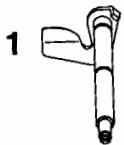


21 



B

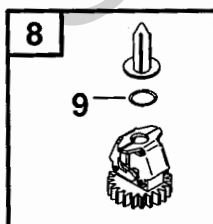
7 



- 2 
- 3 
- 4 
- 5 
- 3 
- 6 



14 



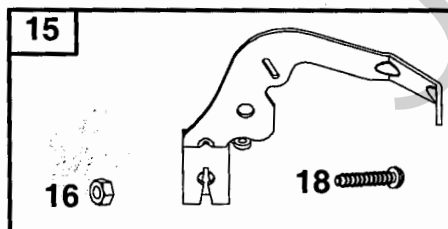
13 

14 

12 



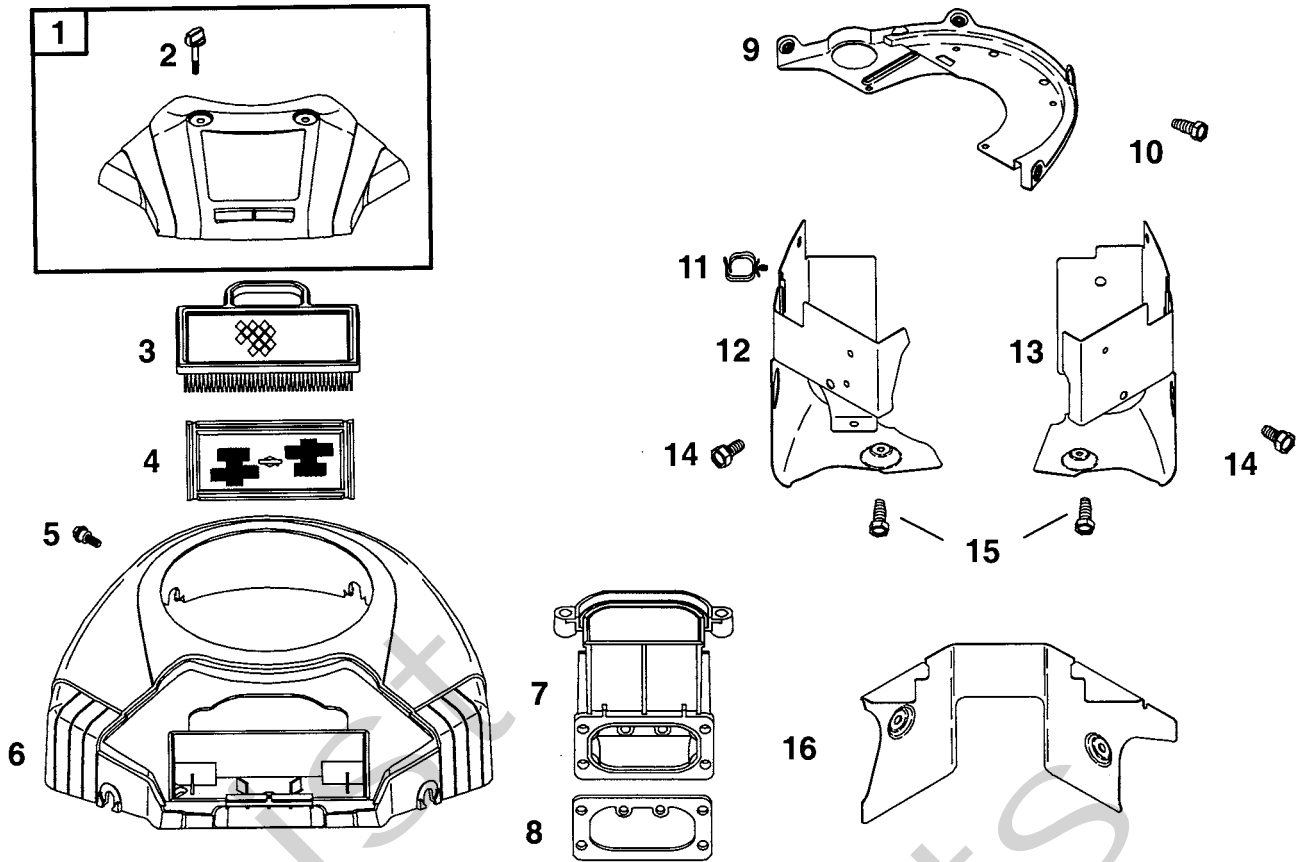
10 



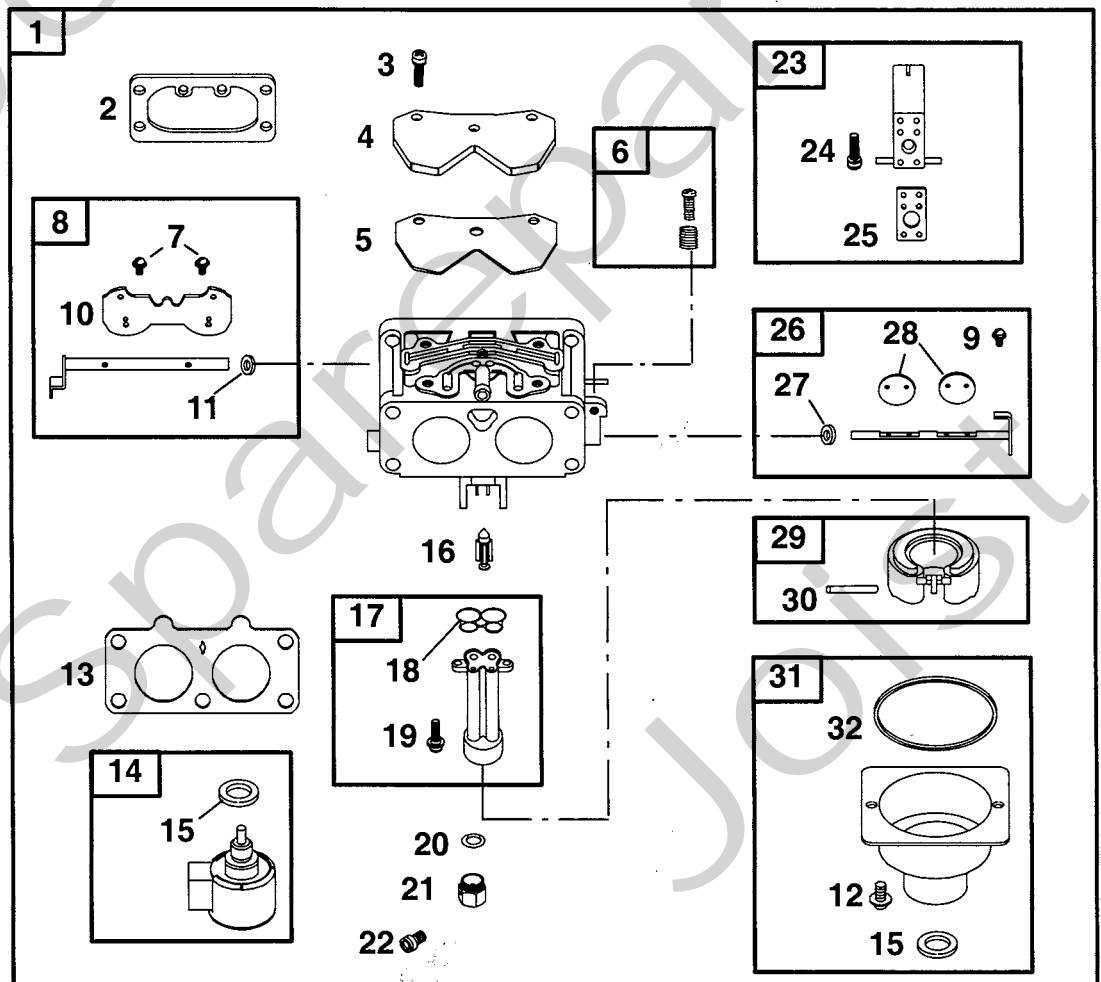
17 

Utgåva Issue		Bildnr Picture No		BRIGGS & STRATTON 407777 TÄNDNING (A) REGULATOR (B)		BRIGGS & STRATTON 407777 IGNITION (A) GOVERNOR (B)		Sida Page	
2003- 11		1464						234	
Pos. Fig.	Antal/Quantity				Art nr Part No	Benämning	Description	Sats Kit	Anmärkning Notes
	407 777- 0117								
A01	1				691055	Skyddsnet.....	Rotating screen.....		
A02	4				691215	• Distans	• Spacer.....		
A03	1				691208	Kabel	Wire		
A04	1				696458	Generator.....	Alternator		
A05	4				693148	• Mutter.....	• Nut		
A06	1				691243	Fläkt.....	Flywheel fan		
A07	1				691220	Kablage.....	Wiring harness.....		
A08	1				19203	Avdragare	Puller		
A09	2				690960	Skruv	Screw		
A10	1				691185	Regulator.....	Regulator		
A11	1				691053	Svängjul.....	Flywheel.....		
A12	1				499612	Kuggkrans	Ring gear		
A13	1				691059	Mutter.....	Nut		
A14	1				691056	Bricka	Washer.....		
A15	4				691058	Skruv	Screw		
A16	4				693149	• Skruv	• Screw		
A17	1				694123	Kabelklämma	Wire clip.....		
A18	2				66538	Tändstiftsskydd	Spark plug elbow		
A19	1				691060	Tändsystem	Magneto armature.....		
A20	2				493880	• Anslutningshylsa	• Terminal		
A21	2				691061	Skruv	Screw		
A22	4				691183	Skruv	Screw		
A23	4				691057	Skruv	Screw		
B01	1				691045	Regulatorarm.....	Governor crank		
B02	1				690552	Bussning	Bushing.....		
B03	2				690553	Bussning	Bushing.....		
B04	1				690328	Hållare	E- ring retainer		
B05	1				690442	Bricka	Washer.....		
B06	1				690657	Tätning	Governor shaft seal		
B07	2				691003	Skruv	Screw		
B08	1				696376	Regulatorodrev	Governor gear		
B09	1				690317	• Regulatoraxel.....	• Gov. retainer shaft		
B10	1				690412	Bricka	Washer.....		
B11	1				691021	Chokeregl.platta.....	Choke control brkt		
B12	1				691019	Fjäder.....	Governed idle spring		
B13	2				691024	Klämma	Clamp		
B14	2				691044	Skruv	Screw		
B15	1				691048	Regulatorarm.....	Gov. control lever		
B16	1				691029	• Mutter.....	• Nut		
B17	1				692909	Fjäder.....	Governor spring		
B18	1				690311	• Bult.....	• Bolt		
B19	1				691023	Reglageplåt.....	Control bracket		
B20	2				690960	Skruv	Screw		

A

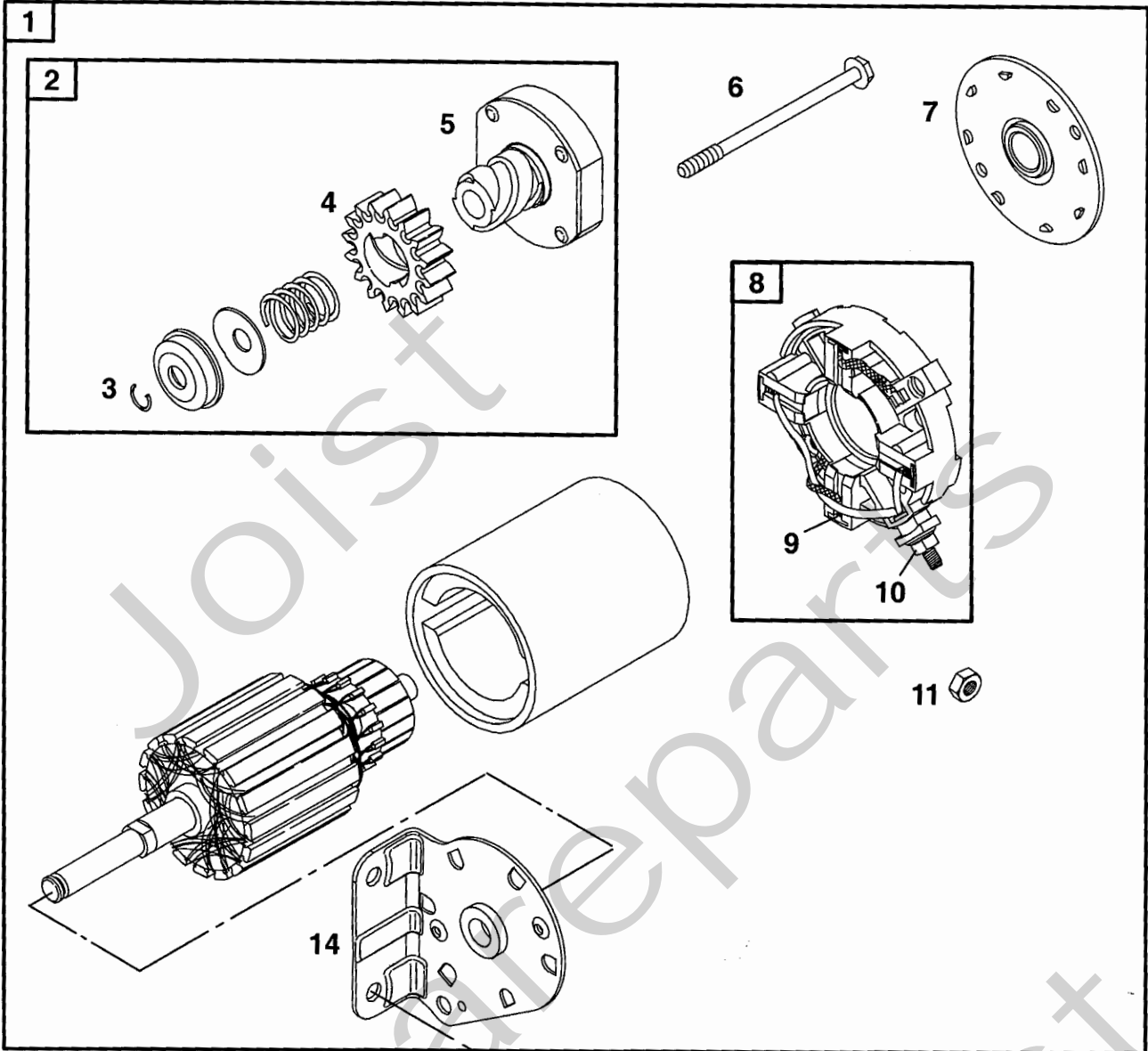


B

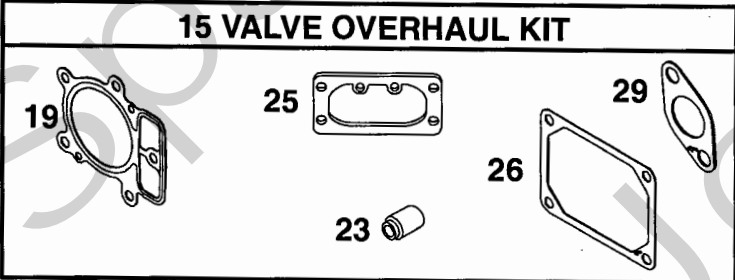
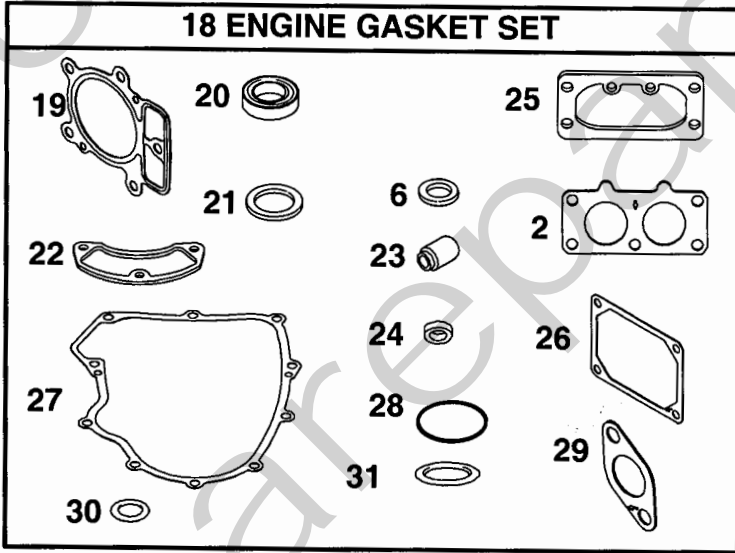
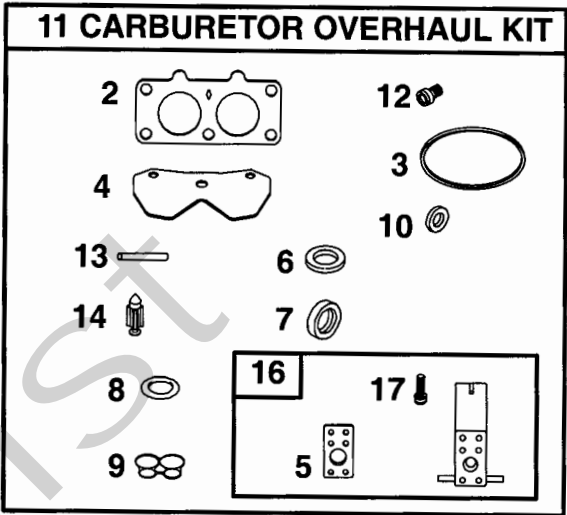
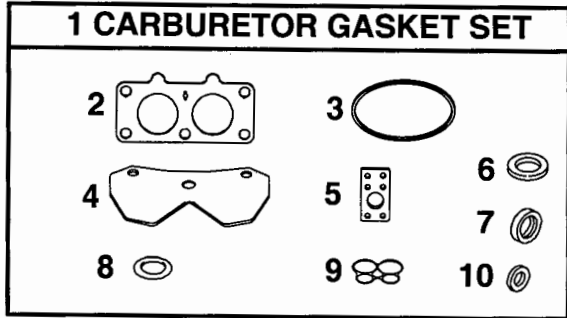


Utgåva Issue		Bildnr Picture No		BRIGGS & STRATTON 407777 LUFTFILTER (A) FÖRGASARE (B)		BRIGGS & STRATTON 407777 AIR CLEANER (A) CARBURETTOR (B)		Sida Page
2003-11		1465						236
Pos. Fig.	Antal/Quantity			Art nr Part No	Benämning	Description	Sats Kit	Anmärkning Notes
	407 777- 0117							
A01	1			499788	Luftrenarlock	Air cleaner cover		
A02	2			691008	• Låsraff	• Air cleaner knob		
A03	1			499486	Filterpatron	Cartridge filter		
A04	1			273638	Förfilter	Pre-cleaner filter		
A05	2			691005	Skruv	Screw		
A06	1			691004	Fläkthus	Blower housing		
A07	1			691011	Luftkanal	Air adapter		
A08	1			691001	Packning	Air cleaner gasket		
A09	1			691009	Platta	Back plate		
A10	4			697820	Skruv	Screw		
A11	1			691010	Clips	Clip		
A12	1			691012	Luftplåt	Air guide cover		Cylinder #1 Cylinder #2
A13	1			691014	Luftplåt	Air guide cover		
A14	2			691003	Skruv	Screw		
A15	2			690960	Skruv	Screw		
A16	1			691015	Luftplåt	Air guide cover		
B01	1			499804	Förgasare kpl	Carburettor assy		
B02	1			691001	• Packning	• Air cleaner gasket		
B03	3			690990	• Skruv	• Screw		
B04	1			690999	• Täckplåt	• Cover plate		
B05	1			690234	• Packning	• Gasket		
B06	1			499802	• Tomgångsjustering	• Idle speed kit		
B07	2			690718	•• Skruv	•• Screw		
B08	1			499807	• Chokeyaxelsats	• Choke shaft kit		
B09	4			690718	•• Skruv	•• Screw		
B10	1			690986	•• Chokespjäll	•• Choke valve		
B11	1			690998	•• Tätning	•• Shaft seal		
B12	2			690992	•• Skruv	•• Screw		
B13	1			690950	• Packning	• Intake gasket		
B14	1			499809	• Bränslesolenoid	• Fuel solenoid		
B15	2			690997	•• Tätningsbricka	•• Sealing washer		
B16	1			690985	• Nålventil	• Float needle valve		
B17	1			499803	• Bränslerör	• Fuel transfer tube		
B18	1			690988	•• O-ringstätning	•• O-ring seal		
B19	2			690991	•• Skruv	•• Screw		
B20	1			690987	• O-ringstätning	• O-ring seal		
B21	1			690996	• Hållare	• Solenoid retainer		
B22	1			690232	• Huvudmunstycke	• Main jet		
B23	1			499808	• Munstycke	• Carburettor nozzle		
B24	1			690990	•• Skruv	•• Screw		
B25	1			690995	•• Packning	•• Gasket		
B26	1			499805	• Spjällaxelsats	• Throttle shaft kit		
B27	1			691000	•• Tätning	•• Throttle shaft seal		
B28	2			690993	•• Gasspjäll	•• Throttle valve		
B29	1			499806	• Flottör	• Carburettor float		
B30	1			690984	•• Flottöraxel	•• Float hinge pin		
B31	1			499810	• Flottörhus	• Float bowl		
B32	1			690994	•• Packning	•• Gasket		
B33	1			690989	Huvudmunstycke	Main jet		Hög höjd/high altitud

A

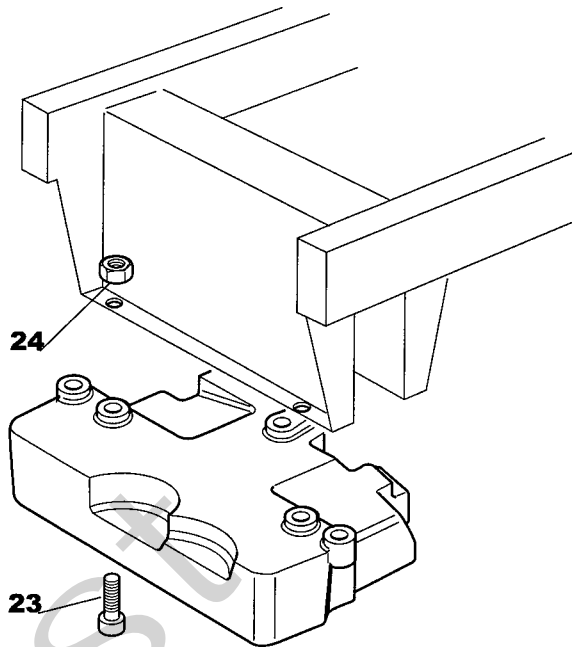


Utgåva Issue 2003-11		Bildnr Picture No 1466		BRIGGS & STRATTON 407777 STARTMOTOR (A)		BRIGGS & STRATTON 407777 STARTER MOTOR (A)		Sida Page 238	
Pos. Fig.	Antal/Quantity				Art nr Part No	Benämning	Description	Sats Kit	Anmärkning Notes
	407 777- 0117								
A01	1				691262	Startmotor kpl	Starter motor assy		
A02	1				497606	• Startdrev	• Drive		
A03	1				691265	•• Låsring	•• Retaining ring		
A04	1				693058	•• Drev	•• Pinion gear		
A05	1				692024	•• Koppling	•• Drive clutch		
A06	2				691263	• Bult	• Bolt		
A07	1				691286	• Botten	• End cap		
A08	1				691293	• Borsthållare	• Brush retainer		
A09	4				497608	•• Släpkolssats	•• Brush set		
A10	1				693167	•• Mutter	•• Nut		
A11	1				691029	• Mutter	• Nut		
A14	1				691283	• Lock	• Drive cap		
A15	2				690372	• Skruv	• Screw		

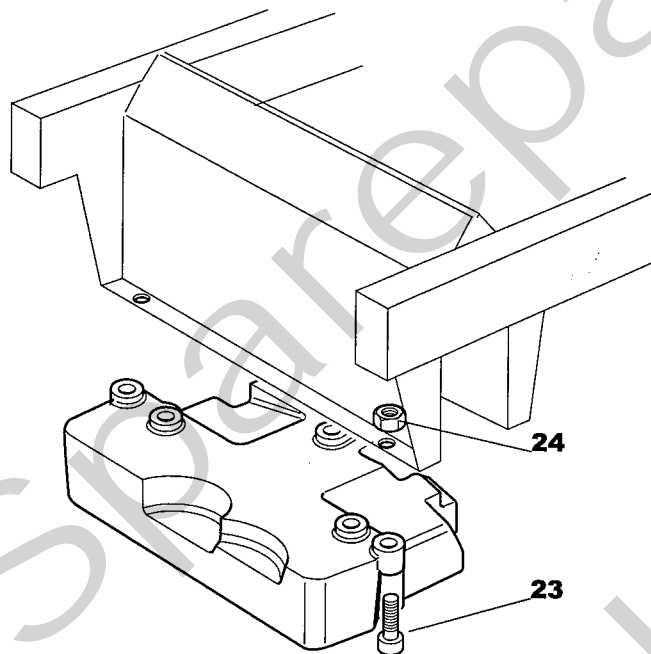


Utgåva Issue 2003-11		Bildnr Picture No 1467		BRIGGS & STRATTON 407777 PACKNINGSSATS (A)		BRIGGS & STRATTON 407777 GASKET SET (A)		Sida Page 240
Pos. Fig.	Antal/Quantity			Art nr Part No	Benämning	Description	Sats Kit	Anmärkning Notes
	407 777- 0117							
A01	1			499812	Packningssats	Carb.gasket set		
A02	1			690950	• Packning	• Intake gasket		
A03	1			690994	• Packning	• Gasket		
A04	1			690234	• Packning	• Gasket		
A05	1			690995	• Packning	• Gasket		
A06	1			690997	• Tätningsbricka	• Sealing washer		
A07	1			691000	• Tätning	• Throttle shaft seal		
A08	1			690987	• O- ringstätning	• O- ring seal		
A09	1			690988	• O- ringstätning	• O- ring seal		
A10	1			690998	• Tätning	• Shaft seal		
A11	1			499811	Förgasarep.sats	Carb.overhaul kit		
A12	1			690232	• Huvudmunstycke	• Main jet		
A13	1			690984	• Flottöraxel	• Float hinge pin		
A14	1			690985	• Nålventil	• Float needle valve		
A15	1			694013	Ventilrep.sats	Valve overhaul kit		
A16	1			499808	• Munstycke	• Carburettor nozzle		
A17	1			690990	• • Skruv	• • Screw		
A18	1			694012	Packningssats- motor	Gasket set- engine		
A19	1			690962	• Topplockspackning	• Cylinder head gasket		
A20	1			690947	• Tätningsring	• Oil seal		
A21	1			391086	• Tätningsring	• Seal		
A22	1			690937	• Packning	• Gasket		
A23	1			690968	• Ventiltätning	• Valve seal		
A24	1			690657	• Tätning	• Governor shaft seal		
A25	1			691001	• Packning	• Air cleaner gasket		
A26	1			690971	• Packning	• Gasket		
A27	1			690945	• Packning	• Gasket		
A28	1			690589	• O- ringstätning	• O- ring seal		
A29	1			690970	• Packning- utblås	• Gasket- exhaust		
A30	1			691032	• Tätning	• Tube seal		
A31	1			691031	• O- ring	• O- ring		

Estate Master

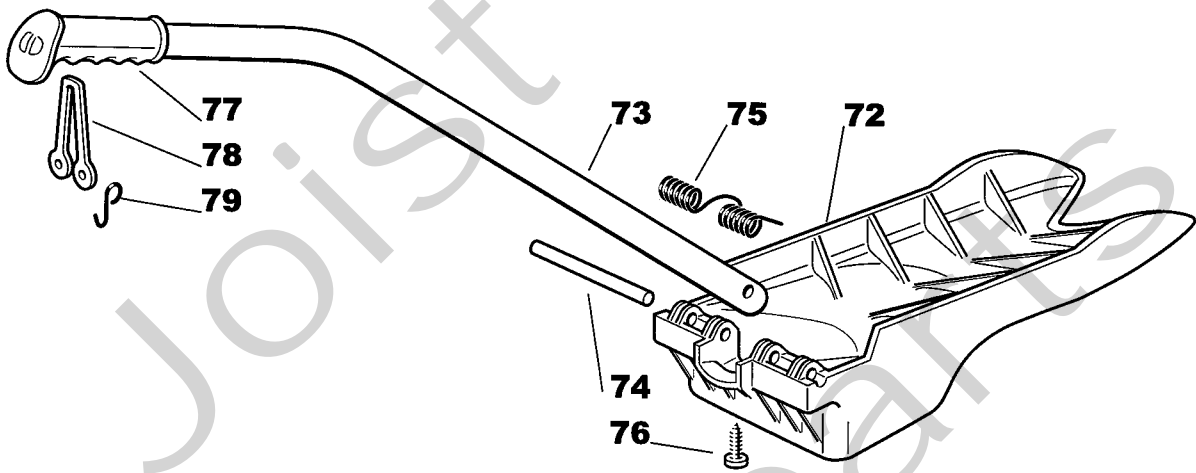


Estate Senator - President - Royal - Pro 20

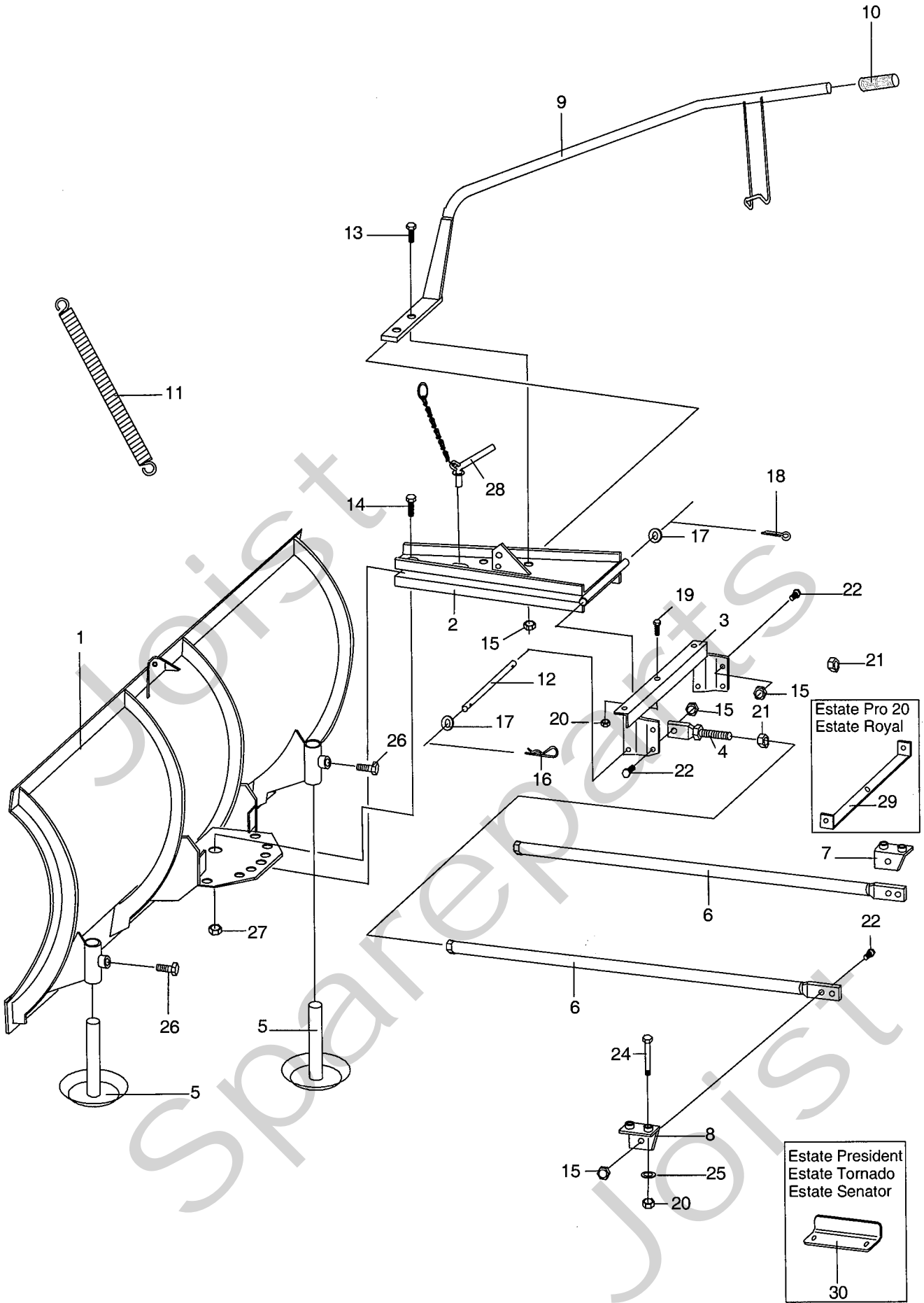




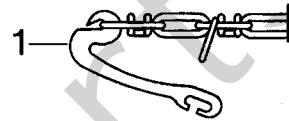
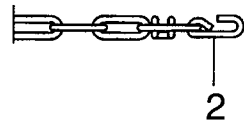
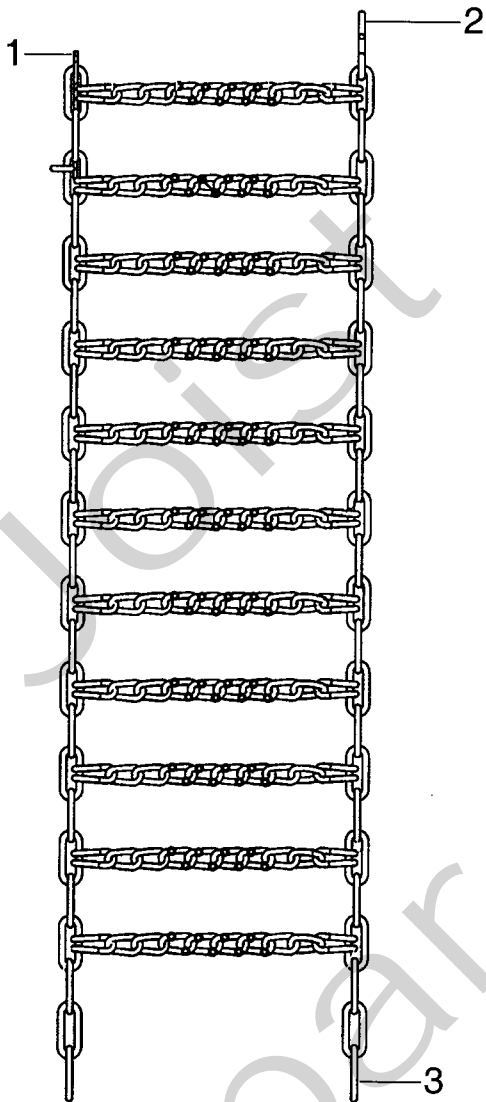
Utgåva Issue 2003-11		Bildnr Picture No 1253A		FRONTVIKT ART.NR 13-0912-11		FRONT WEIGHT ART.NO 13-0912-11		Sida Page 142	
Pos. Fig.	Antal/Quantity				Art nr Part No	Benämning	Description	Sats Kit	Anmärkning Notes
	0912								
23	3				9939-0850-12 Skruv	Screw			
24	3				9747-0831-02 Mutter	Lock nut			



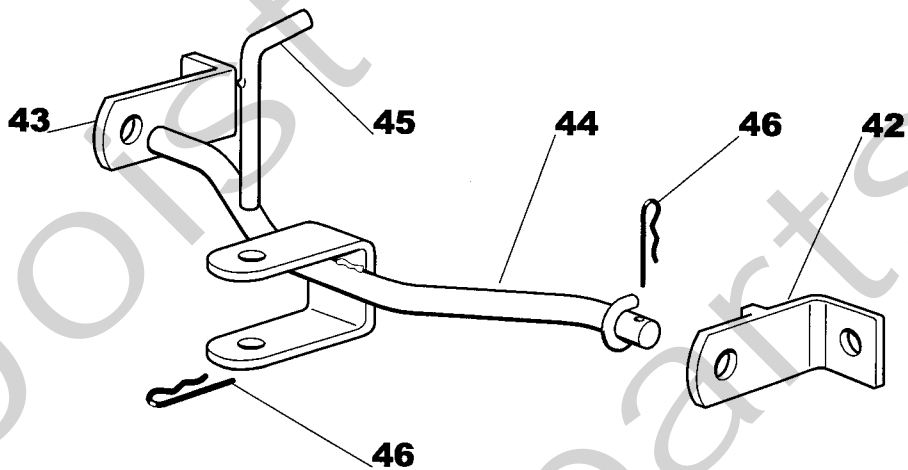
Utgåva Issue		Bildnr Picture No		MULCHINGSATS ART.NR 13- 0927- 11 ART.NR 13- 0932- 11		MULCHING KIT ART.NO 13- 0927- 11 ART.NO 13- 0932- 11		Sida Page 156	
Pos. Fig.	Antal/Quantity				Art nr Part No	Benämning	Description	Sats Kit	Anmärkning Notes
	0927	0932							
72	1				1136-0874-01	Deflektor	Deflector		
72		1			1136-0875-01	Deflektor	Deflector		
73	1	1			1136-0887-01	Handtagsrör	Handle tube		
74	1	1			1136-0903-01	Sprint	Pin		
75	1	1			1136-0893-01	Fjäder	Spring		
76	1	1			9836-9525-12	Skruv	Screw		
77	1	1			1136-0882-01	Handtag	Handgrip		
78	1	1			1136-0927-01	Elastiskt band	Elastic tie		
79	2	2			1136-0877-01	Krok	Hook		



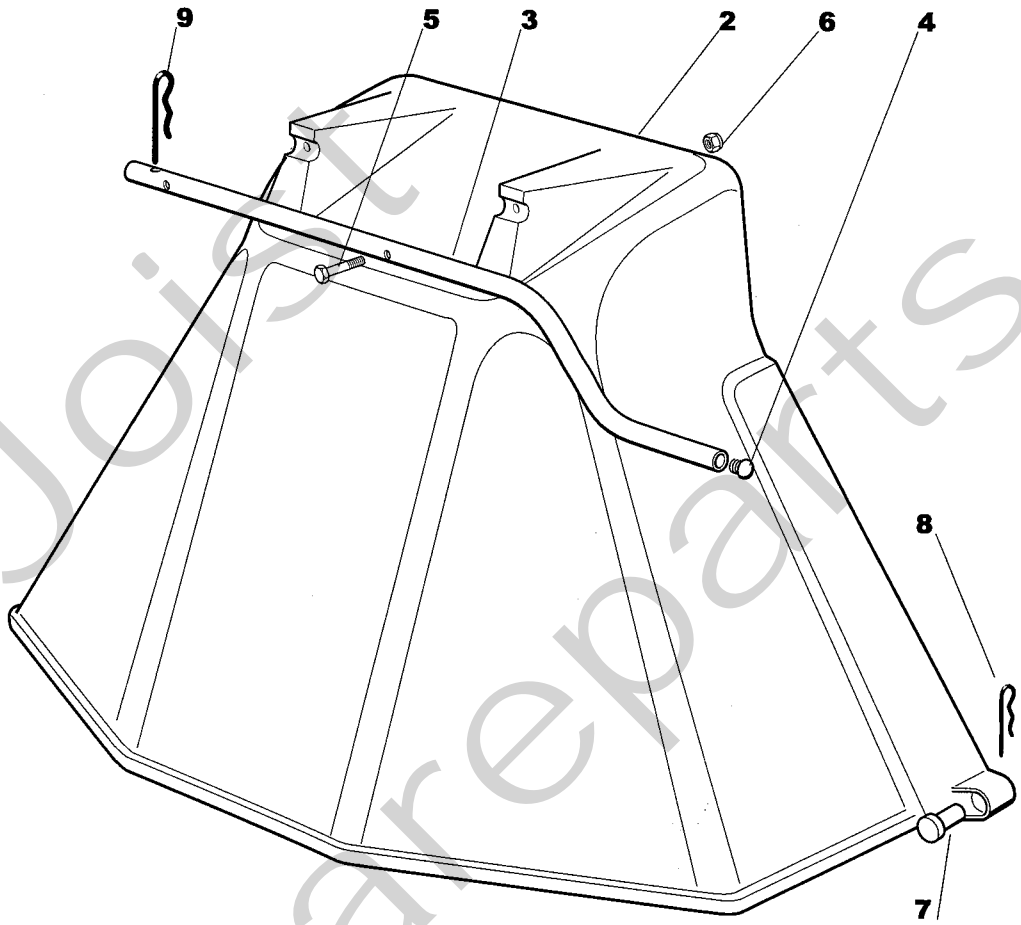
Utgåva Issue		Bildnr Picture No		SNÖBLAD (120 cm) ART.NR 13-0924-11		SNOW BLADE (120 cm) ART.NO 13-0924-11		Sida Page	
2003-11		1453						162	
Pos. Fig.	Antal/Quantity			Art nr Part No	Benämning	Description	Sats Kit	Anmärkning Notes	
	0924								
1	1			1319-1528-01	Blad	Blade			
2	1			1319-1812-01	Bladfäste.....	Blade holder.....			
3	1			1319-1816-01	Ram	Frame			
4	2			1319-1817-01	Skruv	Screw			
5	2			1319-1526-01	Släpsko.....	Skid.....			
6	2			1319-1818-01	Stag	Rod			
7	1			1319-1819-01	Stagfäste	Rod bracket.....			
8	1			1319-1820-01	Stagfäste	Rod bracket.....			
9	1			1319-1815-01	Lyftarm	Lift rod			
10	1			1319-1822-01	Handtag	Grip			
11	1			1319-1527-01	Fjäder.....	Spring			
12	1			1319-1821-01	Axel	Shaft			
13	2			9997-1030-16	Skruv	Screw			
14	1			1319-1551-01	Skruv	Screw			
15	8			9747-1031-02	Låsmutter	Lock nut			
16	1			1319-1692-01	Låsnål	Spring pin			
17	2			9699-0037-02	Bricka	Washer.....			
18	1			1319-1811-01	Saxpinne.....	Cotter pin			
19	3			9997-0816-16	Skruv	Screw			
20	7			9747-0831-02	Mutter.....	Lock nut			
21	2			9747-1031-02	Låsmutter	Lock nut			
22	6			9997-1025-16	Skruv	Screw			
24	4			9997-0880-16	Skruv	Screw			
25	4			9699-0028-02	Planbricka.....	Flat washer.....			
26	2			9997-1220-16	Skruv	Screw			
27	1			9747-1631-02	Låsmutter	Lock nut			
28	1			1319-1531-01	Sprint.....	Pin			
29	1			1319-1813-01	Monteringsfäste.....	Mounting plate.....			
30	1			1319-1814-01	Monteringsfäste.....	Mounting plate.....			



Utgåva Issue		Bildnr Picture No		SNÖKEDJOR ART.NR 13-0925-11		SNOW CHAINS ART.NO 13-0925-11		Sida Page	
2003-11		1454						164	
Pos. Fig.	Antal/Quantity				Art nr Part No	Benämning	Description	Sats Kit	Anmärkning Notes
	0925								
1	2				1134-5064-01	Låsbygel	Lock		Ø5,5 x 40
2	2				1134-5065-01	Krok	Hook		
3	ERF				1134-4416-04	Länk	Link		



Utgåva Issue		Bildnr Picture No		DRAG ART.NR 13-0913-11		TOW BAR ART.NO 13-0913-11		Sida Page	
2003-11		1252						160	
Pos. Fig.	Antal/Quantity				Art nr Part No	Benämning	Description	Sats Kit	Anmärkning Notes
	0913								
42	1				1136-0527-01	Vinkelfäste- hö	Bracket- RH		
43	1				1136-0323-01	Vinkelfäste- vä	Bracket- LH		
44	1				1136-0464-01	Dragstång	Tow rod		
45	1				1136-0228-01	Dragsprint	Tow pin		
46	2				1136-0096-01	Låsnål	Hair pin		



Utgåva Issue		Bildnr Picture No		DEFLEKTOR ART.NR 13-0911-11		DEFLECTOR ART.NO 13-0911-11		Sida Page	
2003-11		1250						148	
Pos. Fig.	Antal/Quantity			Art nr Part No	Benämning	Description	Sats Kit	Anmärkning Notes	
	0911								
2	1			1136-0505-01	Utkastskydd.....	Ejection guard			
3	1			1136-0357-01	Stödrör	Support			
4	2			1136-0061-01	Plugg	Cap			
5	2			9997-0645-12	Skruv	Screw			
6	2			9747-0631-02	Låsmutter	Lock nut			
7	2			1136-0229-01	Sprint.....	Pin			
8	2			9598-0002-02	Låsnål.....	Pin lock			
9	1			1136-0096-01	Låsnål.....	Hair pin			