

Genuine Spare Parts

www.stiga.com

SILEX 95 H Model Year 2011

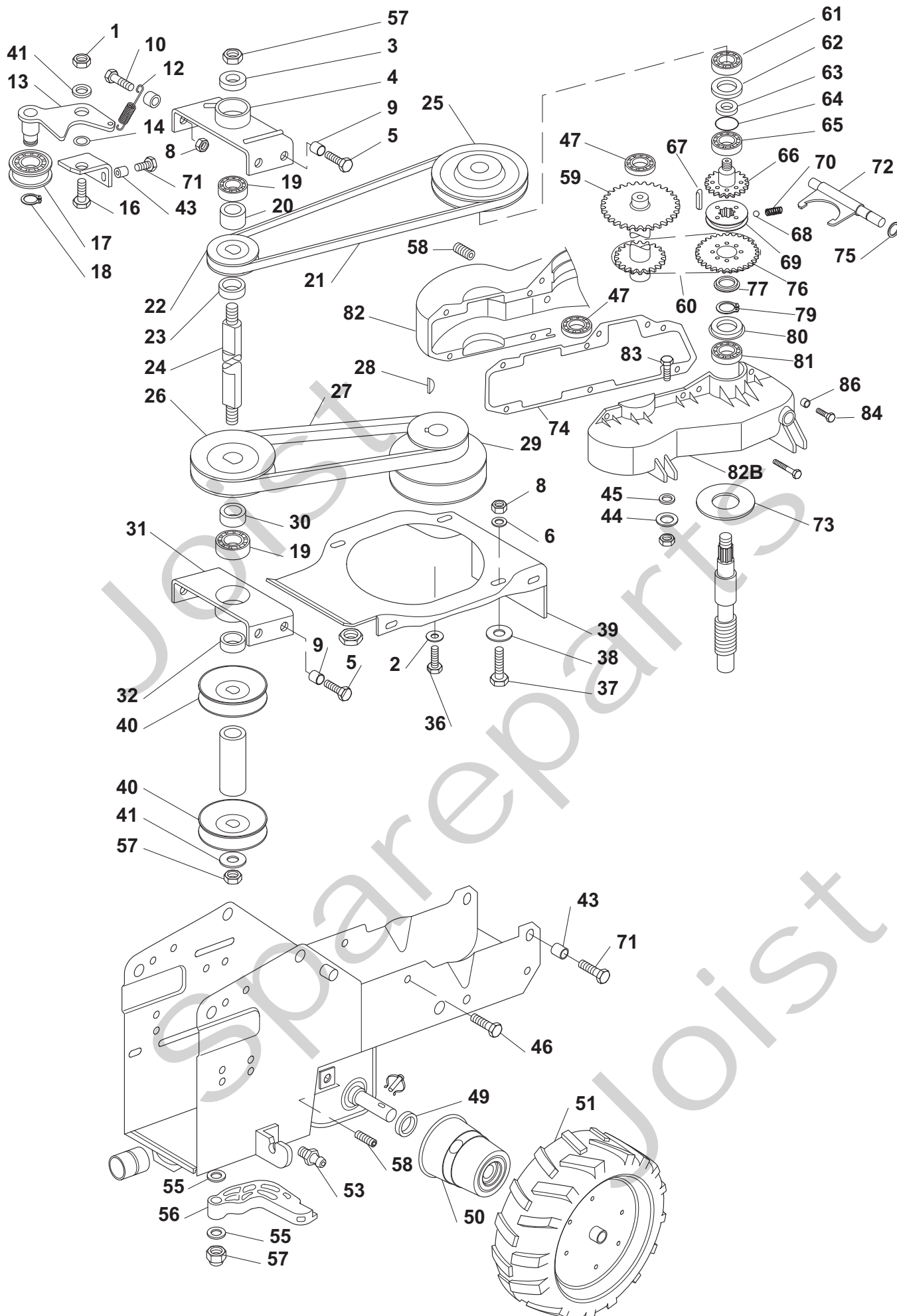
- Use GLOBAL GARDEN PRODUCT Genuine Spare Parts specified in the parts list for repair and/or replacement.
- The contents described in the parts list may change due to improvement.
- The drawings of the spare parts are only indicative and might not represent the part in question exactly.
- The indications "right" - "left" - "front" - "rear" refer to the position of the operator when using the machine.
- When placing orders of parts for repair and/or replacement, make sure that the illustrated parts list is the one applying to the machine's year of manufacture, as shown on the identification plate attached to the machine.

COPYRIGHT by GLOBAL GARDEN PRODUCTS

All rights reserved. No part of this material may be reproduced or transmitted, in any form or by any means, electronic or mechanical, including photocopying, recording or by any information storage and retrieval system, without permission in writing from GLOBAL GARDEN PRODUCTS.

STIGA®

SILEX 95 H

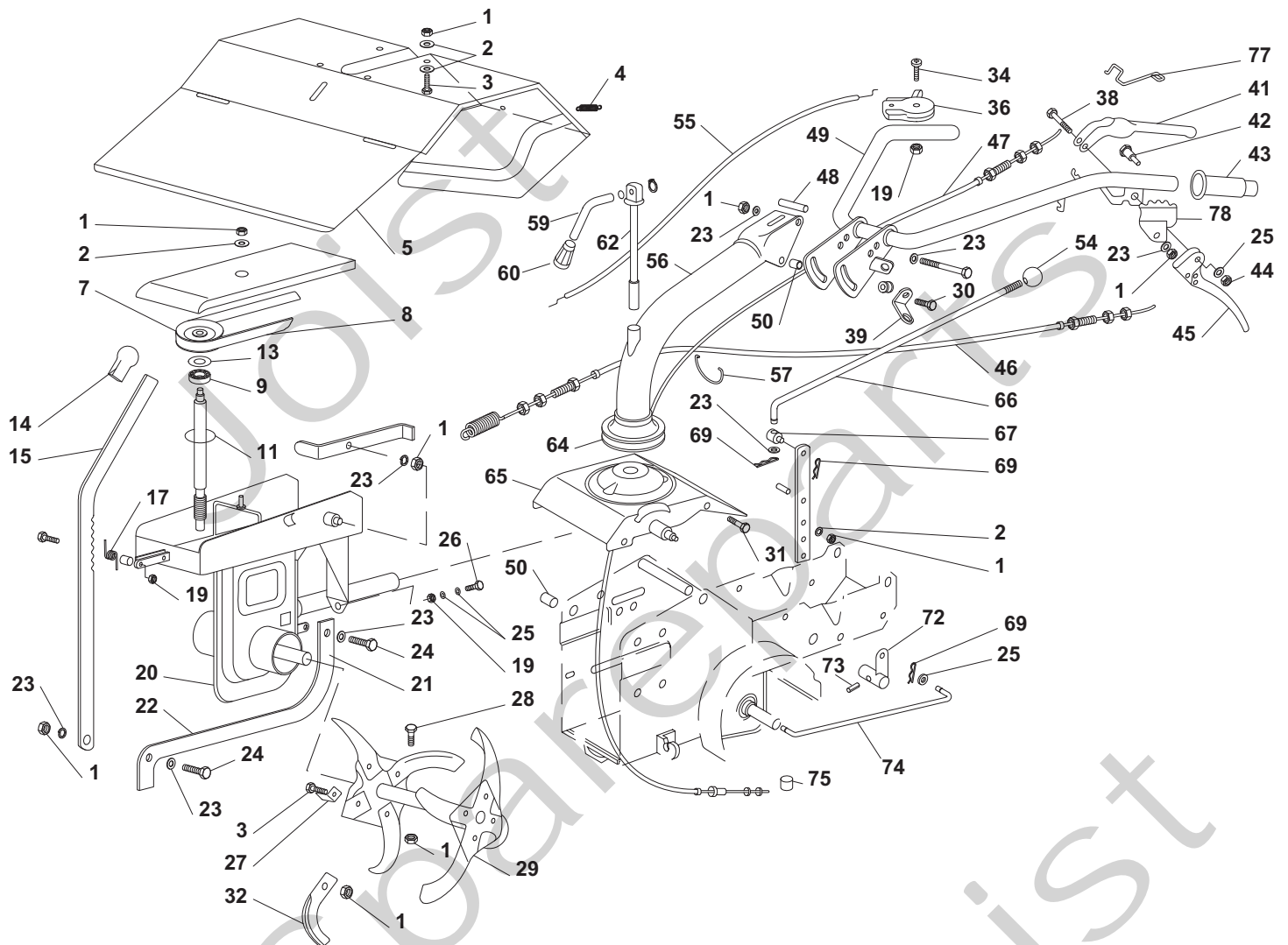




SILEX 95 H

Pos. Fig.	Antal Quantity	Art No Part No	Benämning	Description	Anmärkning Notes
1	1	9747-1031-02	Mutter	Nut	
2	1	9699-0035-02	Planbricka	Washer	
3	1	1483-2085-01	Bricka	Spacer	
4	1	118800047/0	Stöd	Support	
5	1	9959-0816-16	Skruv	Screw	
6	1	9699-0028-02	Planbricka	Washer	
8	2	9747-0831-02	Mutter	Nut	
9	2	1483-2108-01	Bussning	Spacer	
10	1	9959-0825-16	Skruv	Screw	
12	1	118800048/0	Täcka vår	Spring rear cover	
13	1	118800049/0	bälte arm tenderar	Tend arm strap	
14	1	1483-2001-01	Kompass	Bush	
16	1	9997-1025-16	Skruv	Screw	
17	1	1483-2004-01	Spännrulle	Pulley	
18	1	9650-0012-04	Seegersåkring	Ring	
19	2	118800050/0	Baring	Bearing	
20	1	118800051/0	Distans	Spacer	
21	1	118800001/0	Drivrem	Belt	
22	1	118800052/0	Remskiva	Pulley	
23	1	118800053/0	Distans	Spacer	
24	1	118800054/0	Motvals	Countershaft	
25	1	118800055/0	Remskiva D.116	Pulley D.116	
26	1	1483-2326-01	Remskiva	Pulley	
27	1	1483-2352-01	Drivrem	Belt	
28	1	12139100/0	Kil	Key	
29	1	118800056/0	Remskiva	Pulley	
30	1	118800057/0	Distans	Spacer	
31	1	118800058/0	Stöd	Support	
32	1	1483-2203-01	Distans	Spacer	
36	1	9987-5225-16	Skruv	Screw	
37	1	9997-0835-12	Skruv	Screw	
38	1	9699-0122-02	Bricka	Washer	
39	1	118550541/0	Motorhuv gul	Yellow Engine top cover	
40	2	1483-2082-01	Remskiva	Pulley	
41	2	9699-0105-02	Bricka	Washer	
43	1	1483-2190-01	Mutter	Nut	
44	1	9699-0100-02	Bricka	Washer	
45	1	9683-0025-02	Låsbricka	Washer	
46	1	9959-0612-16	Skruv	Screw	
47	2	118800059/0	Baring	Bearing	
49	1	1483-2069-01	Tätningring	Oil Seal	
50	1	118800060/0	Dammskydd	Dust Cover	
51	1	118800061/0	Rotera höger	Right Wheel	
51	1	118800062/0	Rotera vänster	Left Wheel	
53	1	9501-0500-00	Smörjnippl	Grease Dispenser	
55	2	9699-0035-02	Planbricka	Washer	
56	1	1483-2332-01	Arm	Lever	
57	2	9747-1031-02	Mutter	Nut	
58	1	1483-2075-01	Lock	Cap	
68	1	1483-2281-01	Stift	Dowel	
70	1	1483-2201-01	Fjäder	Spring	
71	2	9959-0616-16	Skruv	Screw	
72	1	118800063/0	Gaffel	Gear fork	
73	1	118800064/0	Packning	Oil Seal	
74	1	118800065/0	Packning	Oil Seal	
75	1	1483-2275-01	O ring	O Ring	
83	1	9997-0620-16	Skruv	Screw	
86	1	9747-0531-02	Mutter	Nut	

SILEX 95 H

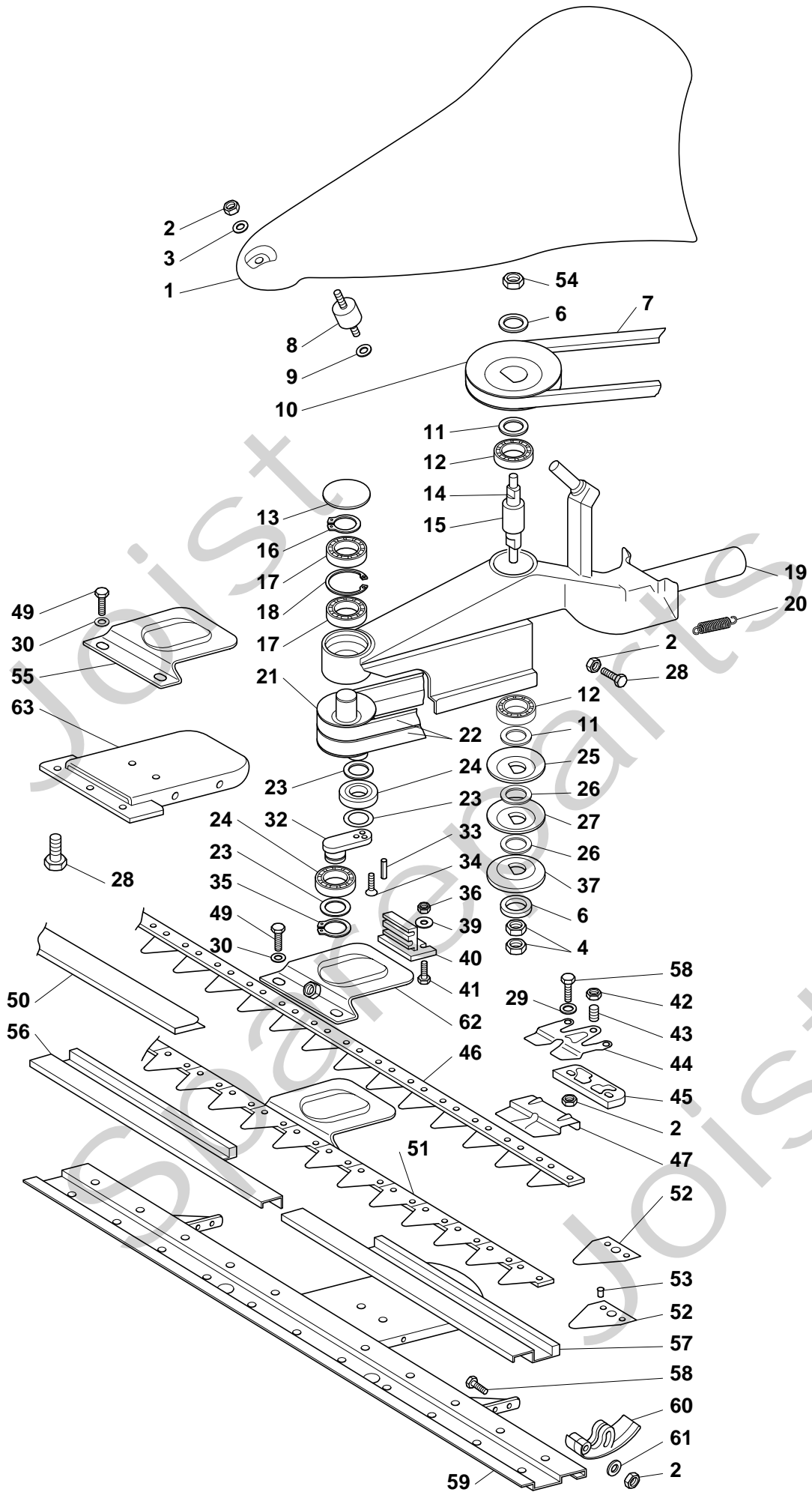




SILEX 95 H

Pos. Fig.	Antal Quantity	Art No Part No	Benämning	Description	Anmärkning Notes
1	9	9747-0831-02	Mutter	Nut	
2	4	9699-0122-02	Bricka	Washer	
3	2	9997-0820-16	Skruv	Screw	
4	1	118800015/0	Fjäder	Spring	
5	1	118800071/0	Motorhuv vit	White cover tine	
7	1	118800007/0	Remskiva	Pulley	
8	1	118800006/0	Drivrem	Belt	
9	1	1483-2071-01	Kullager	Bearing	
11	1	1483-2189-01	O ring	O Ring	
13	1	1483-2020-01	Distans	Spacer	
14	1	118800072/0	Svarta knapp	Black knob	
15	1	118800073/0	Spak	Lever command	
17	1	118800074/0	Vår	Locking lever spring	
19	4	9747-0631-02	Mutter	Nut	
20	1	118800075/0	Chassi vit	White Chassis tine	
21	1	1483-2069-01	Tätningring	Oil Seal	
22	1	118800076/0	Sporre	Spur	
23	8	9699-0028-02	Planbricka	Washer	
24	2	9997-0825-16	Skruv	Screw	
25	4	1483-2194-01	Bricka	Washer	
26	1	9997-0616-16	Skruv	Screw	
27	1	118800077/0	Kniv	Blade	
28	1	9997-0835-12	Skruv	Screw	
29	1	118800008/0	Rotor kpl-hö	Right Tine Assy	
29	1	118800009/0	Knivrotor kpl vä	Left Tine Assy	
30	1	9959-0825-16	Skruv	Screw	
31	1	9959-0816-16	Skruv	Screw	
32	1	1483-2013-01	Kniv-hö	Right Tine	
32	1	1483-2014-01	Kniv vä	Left Tine	
33	1	9799-1231-02	Mutter	Nut	
34	1	9948-0655-16	Skruv	Screw	
36	1	1483-2143-01	Gasreglage	Accelerator	Honda
38	1	9997-0850-12	Skruv	Screw	
39	1	1483-2021-01	Vinkelfäste	Support	
41	1	118800003/0	Bromssporre	Lever	
42	1	1483-2005-01	Skruv	Pin	
43	1	1483-2079-01	Handtagsgrepp	Handgrip	
44	1	9747-0531-02	Mutter	Nut	
45	1	1483-2008-01	Kopplingshandtag	Handle	
46	1	118800005/0	Reglagewire	Wire	
47	1	118800004/0	Reglagewire	Wire	
48	1	118800078/0	Distans	Spacer Pin	
49	1	118800080/0	Styre överdel svart	Black Handle	
50	2	1483-2108-01	Bussning	Spacer	
54	1	118800079/0	Knapp	Knob	
55	1	1483-2142-01	Gaswire	Throttle Cable	
56	1	118800082/0	Slang gul stöd	Yellow support tube	
62	1	118800010/0	Skruv	Screw	
64	1	1483-2078-01	Platta	Disc	
65	1	118800084/0	täcka gul	Frame cover yellow box	
66	1	118800085/0	auktion koppling redskap	Rod clutch gear	
67	1	118800086/0	auktion junction	Junction Rod	
69	3	118800087/0	Säkerhetsnål	Safety Pin	
74	1	118800088/0	auktion redskap	Rod gear	
75	1	118800002/0	Kabelhållare	Fairlead	
77	1	118800089/0	Vår	Locking lever spring	
78	1	1483-2333-01	Platta	Plate	

SILEX 95 H

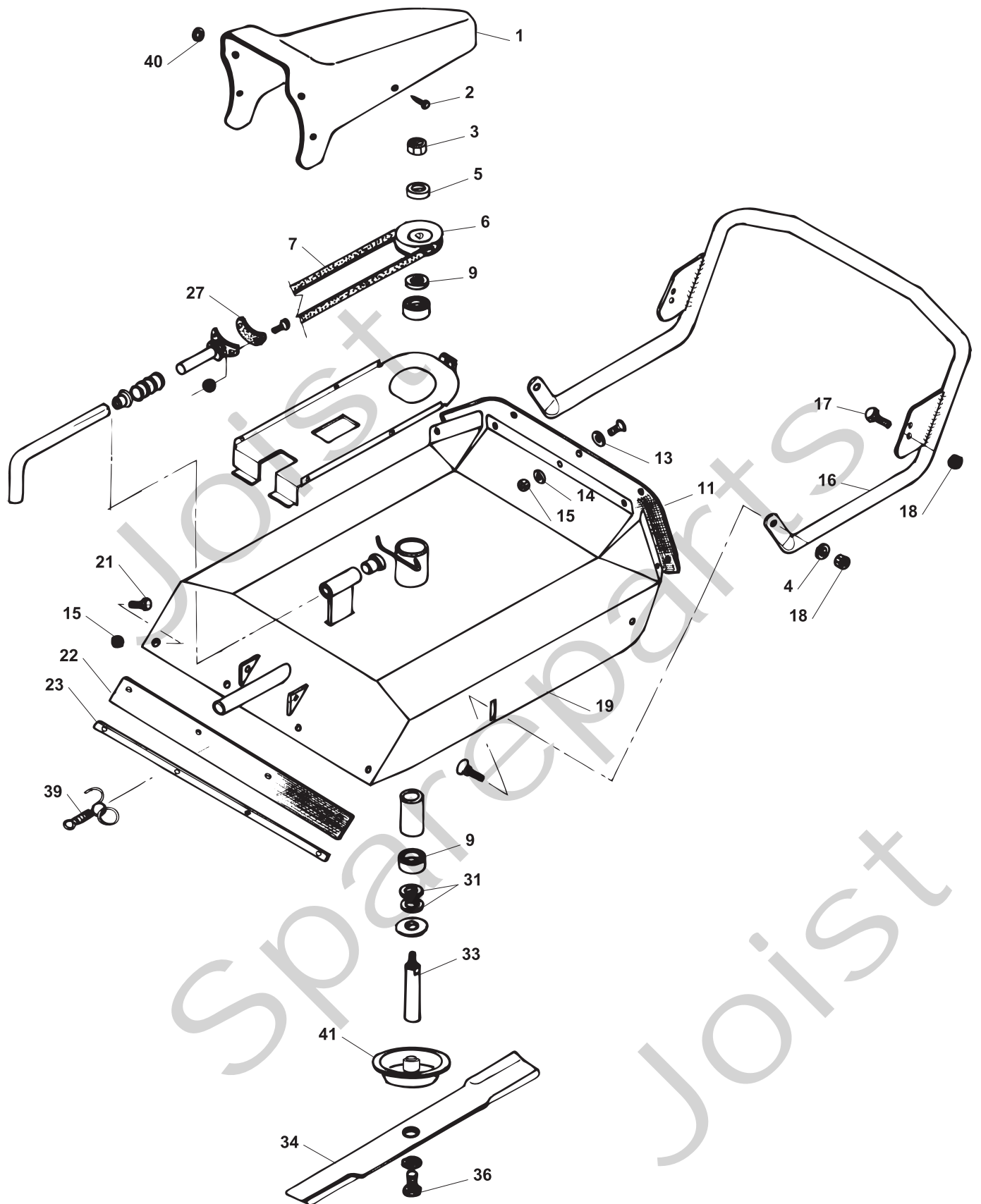




SILEX 95 H

Pos. Fig.	Antal Quantity	Art No Part No	Benämning	Description	Anmärkning Notes
1	1	118800013/0	Skyddsplåt	Cover	
2	4	9747-0831-02	Mutter	Nut	
3	1	9699-0122-02	Bricka	Washer	
4	1	9799-1031-02	Mutter	Nut	
6	2	1483-2085-01	Distans	Spacer	
7	1	118800011/0	Drivrem	Belt	
8	1	118800014/0	Spark Plug Spring	Grommet	
9	1	12540060/0	Bricka	Washer	
10	1	118800302/0	Remskiva	Pulley	
11	2	1483-2210-01	Distans	Spacer	
12	1	118800050/0	Kullager	Bearing	
13	1	118800382/0	Lock	Cap	
14	1	118800332/0	Vevaxel	Shaft	
15	1	118800333/0	Distans	Spacer	
16	1	118800357/0	Låsring	Ring	
17	1	118800369/0	Kullager	Bearing	
18	1	118800359/0	Låsring	Ring	
19	1	118800512/0	Stöd	Support	
20	1	118800015/0	Fjäder	Spring	
21	1	118800066/0	Remskiva	Pulley	
22	3	118800012/0	Drivrem	Belt	
23	1	1483-2285-01	Distans	Spacer	
24	1	118800374/0	Kullager	Bearing	
25	1	118800067/0	Remskiva	Pulley	
26	1	118800317/0	Distans	Spacer	
27	1	118800315/0	Remskiva	Pulley	
28	1	9959-0816-16	Skruv	Screw	
29	2	9699-0028-02	Bricka	Washer	
30	1	9699-0028-02	Bricka	Washer	
32	1	118800334/0	Excentrisk	Eccentric	
33	2	118800529/0	Stift	Pin	
34	1	118800531/0	Skruv	Screw	
35	1	118800358/0	Låsring	Ring	
36	1	9747-0631-02	Mutter	Nut	
37	1	118800314/0	Remskiva	Pulley	
39	1	9699-0100-02	Bricka	Washer	
40	1	118800068/0	Rear guide plate	Rear guide plate	
41	1	9959-0616-16	Skruv	Screw	
42	1	9799-0831-02	Mutter	Nut	
43	1	118800385/0	Skruv	Screw	
44	1	1483-2338-01	Trombocyt	Plate	
45	1	118800069/0	Stöd	Blade support	
46	1	118800020/0	Top Blade	Top Blade	
47	1	118800017/0	Guide	Guide	
49	1	12792611/0	Skruv	Screw	
50	2	1483-2340-01	Knivskydd	Blade Guard	
51	1	118800021/0	Bottom Blade	Bottom Blade	
52	1	1483-2336-01	Trombocyt	Plate	
53	1	118800022/0	Rivet	Rivet	
54	1	9747-1031-02	Mutter	Nut	
55	1	118800622/0	Blade Support	Blade Support	
56	1	118800018/0	Guide R	Guide R	
57	1	118800019/0	Guide L	Guide L	
58	1	9997-0830-16	Skruv	Screw	
59	2	118800070/0	Body Bar	Body Bar	
60	1	1483-2341-01	Glidblock	Shoe	
61	1	9699-0122-02	Bricka	Washer	
63	1	118800016/0	Stöd	Support	

SILEX 95 H

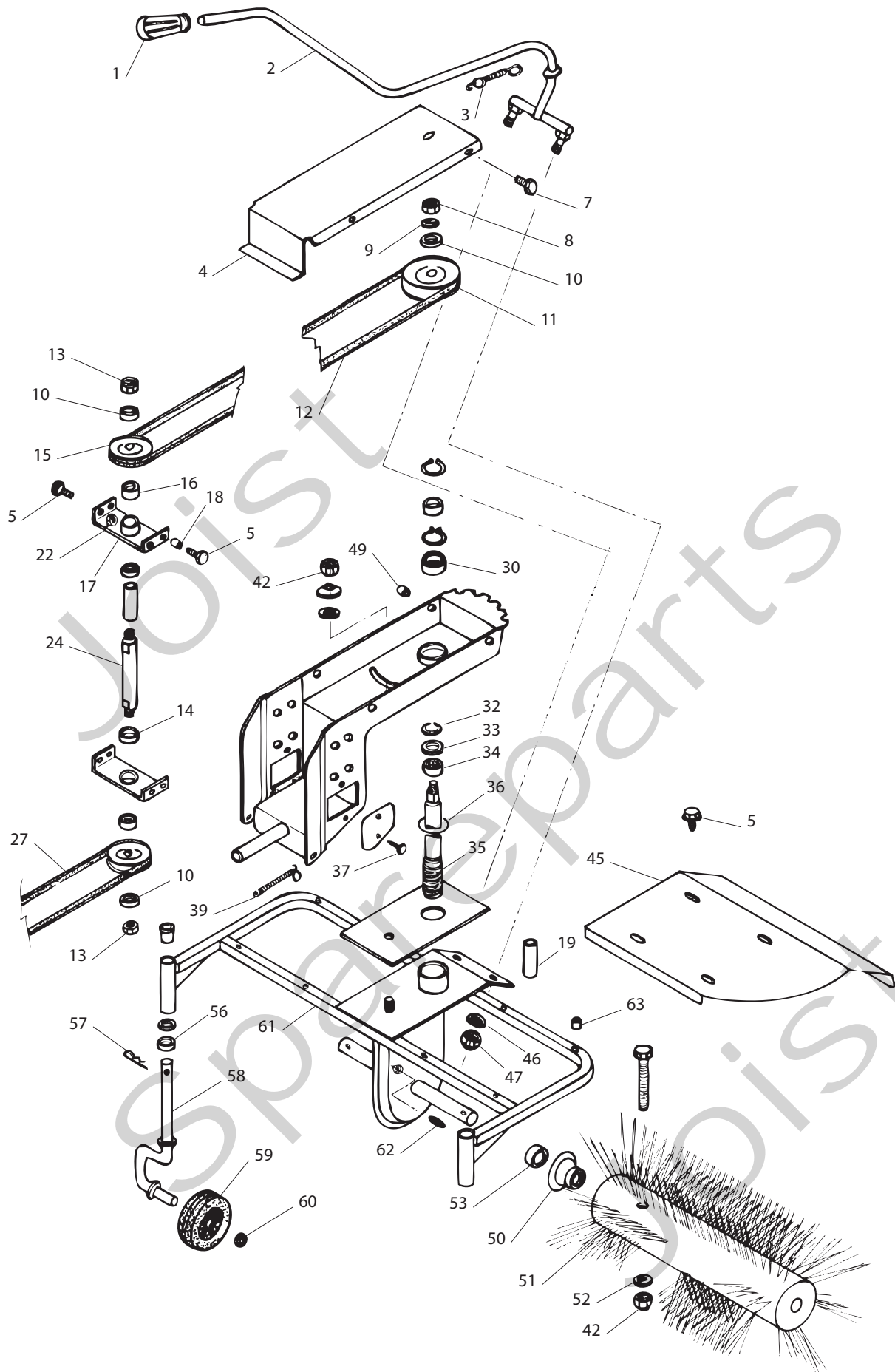




SILEX 95 H

Pos. Fig.	Antal Quantity	Art No Part No	Benämning	Description	Anmärkning Notes
1	1	118800029/0	Kåpa	Cover	
2	1	9847-8016-16	Skruv	Screw	
3	1	9747-1031-02	Mutter	Nut	
4	1	9699-0122-02	Bricka	Washer	
5	1	1483-2085-01	Bricka	Spacer	
6	1	1483-2325-01	Remskiva	Pulley	
7	1	1483-2352-01	Drivrem	Belt	
8	1	1483-2203-01	Distans	Spacer	
9	2	1483-2192-01	Kullager	Bearing	
11	1	118800134/0	Stötfångare	Protection	
13	1	9699-0035-02	Planbricka	Washer	
14	1	9699-0100-02	Bricka	Washer	
15	2	9747-0631-02	Mutter	Nut	
16	1	118800135/0	Styre-underdel	Handle	
17	1	9959-0816-16	Skruv	Screw	
18	2	9747-0831-02	Mutter	Nut	
19	1	118800136/0	Stötfångare	Protection	
21	1	9997-0612-16	Skruv	Screw	
22	1	118800137/0	Stötfångare	Protection	
23	1	118800138/0	Fäste	Support	
27	1	118800030/0	Glidblock	Shoe	
31	2	1483-2210-01	Distans	Spacer	
33	1	118800028/0	Fäste	Support	
34	1	118800026/0	Winged	Winged	
36	1	9987-5225-16	Skruv	Screw	
39	1	118800015/0	Fjäder	Spring	
40	1	9699-0122-02	Bricka	Washer	
41	1	118800027/0	Stötfångare	Protection	

SILEX 95 H



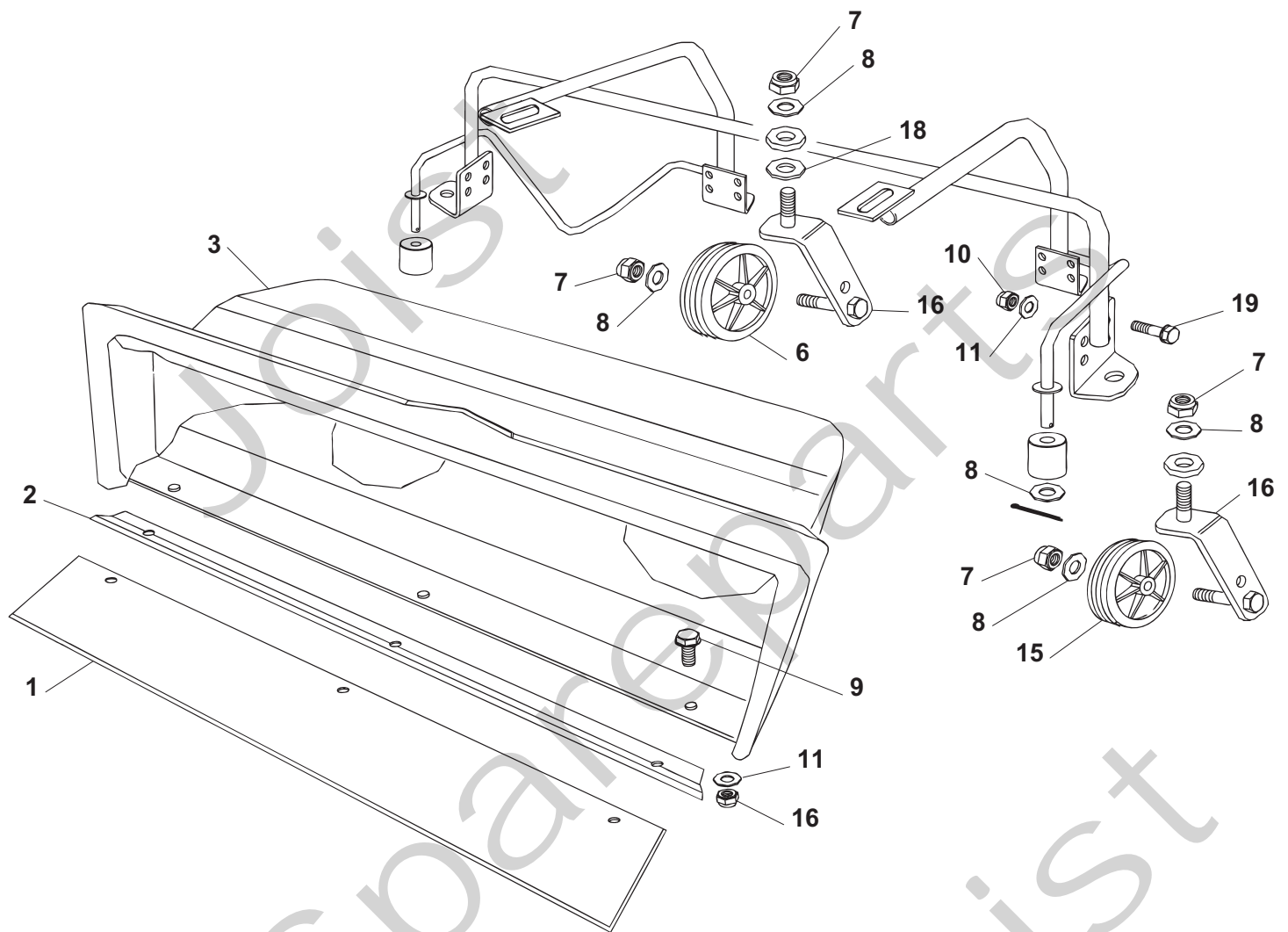


SILEX 95 H

Pos. Fig.	Antal Quantity	Art No Part No	Benämning	Description	Anmärkning Notes
1	1	118800145/0	Knopp	Knob	
2	1	118800146/0	Styre	Handle	
3	1	118800015/0	Fjäder	Spring	
4	1	118800147/0	Stötfångare	Protection	
5	3	9959-0816-16	Skruv	Screw	
5	8	9959-0816-16	Skruv	Screw	
7	1	9959-0616-16	Skruv	Screw	
7	4	9959-0616-16	Skruv	Screw	
8	1	9799-1231-02	Mutter	Nut	
9	1	9699-0035-02	Planbricka	Washer	
10	4	1483-2085-01	Bricka	Spacer	
10	3	1483-2085-01	Bricka	Spacer	
11	1	1483-2325-01	Remskiva	Pulley	
12	1	118800148/0	Drivrem	Belt	
13	2	9747-1031-02	Mutter	Nut	
13	3	9747-1031-02	Mutter	Nut	
14	1	118800050/0	Baring	Bearing	
15	1	1483-2326-01	Remskiva	Pulley	
16	1	118800051/0	Distans	Spacer	
17	1	118800058/0	Stöd	Support	
18	1	1483-2108-01	Bussning	Spacer	
19	1	118800149/0	Kompass	Bush	
22	1	9747-0831-02	Mutter	Nut	
24	1	118800150/0	Stift	Pin	
27	1	118800024/0	Drivrem	Belt	
30	1	1483-2192-01	Kullager	Bearing	
32	1	1483-2068-01	Seegerring	Seeger	
33	1	1483-2000-01	Distans	Spacer	
34	1	1483-2072-01	Nållager	Needle Bearing	
35	1	1483-2081-01	Snäckskruv	Endless screw	
36	1	118800151/0	Axel	Shaft	
37	1	9847-8016-16	Skruv	Screw	
37	2	9847-8016-16	Skruv	Screw	
38	1	118800290/0	Kåpa	Cover	
39	1	118800025/0	Fjäder	Spring	
42	2	9747-1031-02	Mutter	Nut	
44	1	118800282/0	Basplatta	Plate	
45	1	118800152/0	Hus	Right Protection	
45	1	118800153/0	Ljuddämparskydd	Left Protection	
46	1	9699-0121-02	Planbricka	Washer	
47	1	9747-1231-02	Mutter	Nut	
48	2	12794985/0	Skruv	Screw (Mod. 122)	
49	1	1483-2190-01	Mutter	Nut	
50	1	1483-2010-01	Dammskydd	Dust Cover	
51	1	118800154/0	Borste	Brush	
51	2	118800154/0	Borste	Brush	
52	1	9699-0035-02	Planbricka	Washer	
52	2	9699-0035-02	Planbricka	Washer	
53	1	1483-2070-01	Tätningring	Oil Seal	
56	2	118800053/0	Distans	Spacer	
57	2	9598-0002-02	Låsnål	Cotter Pin	
57	1	9598-0002-02	Låsnål	Cotter Pin	
58	1	118800155/0	Stöd-hö	Right Support	
58	1	118800156/0	Stöd vä	Left Support	
59	2	118800157/0	Hjul	Wheel	
59	1	118800157/0	Hjul	Wheel	
60	1	1483-2195-01	Låsbricka	Washer	
60	2	1483-2195-01	Låsbricka	Washer	
61	1	118800158/0	Chassi	Chassis	

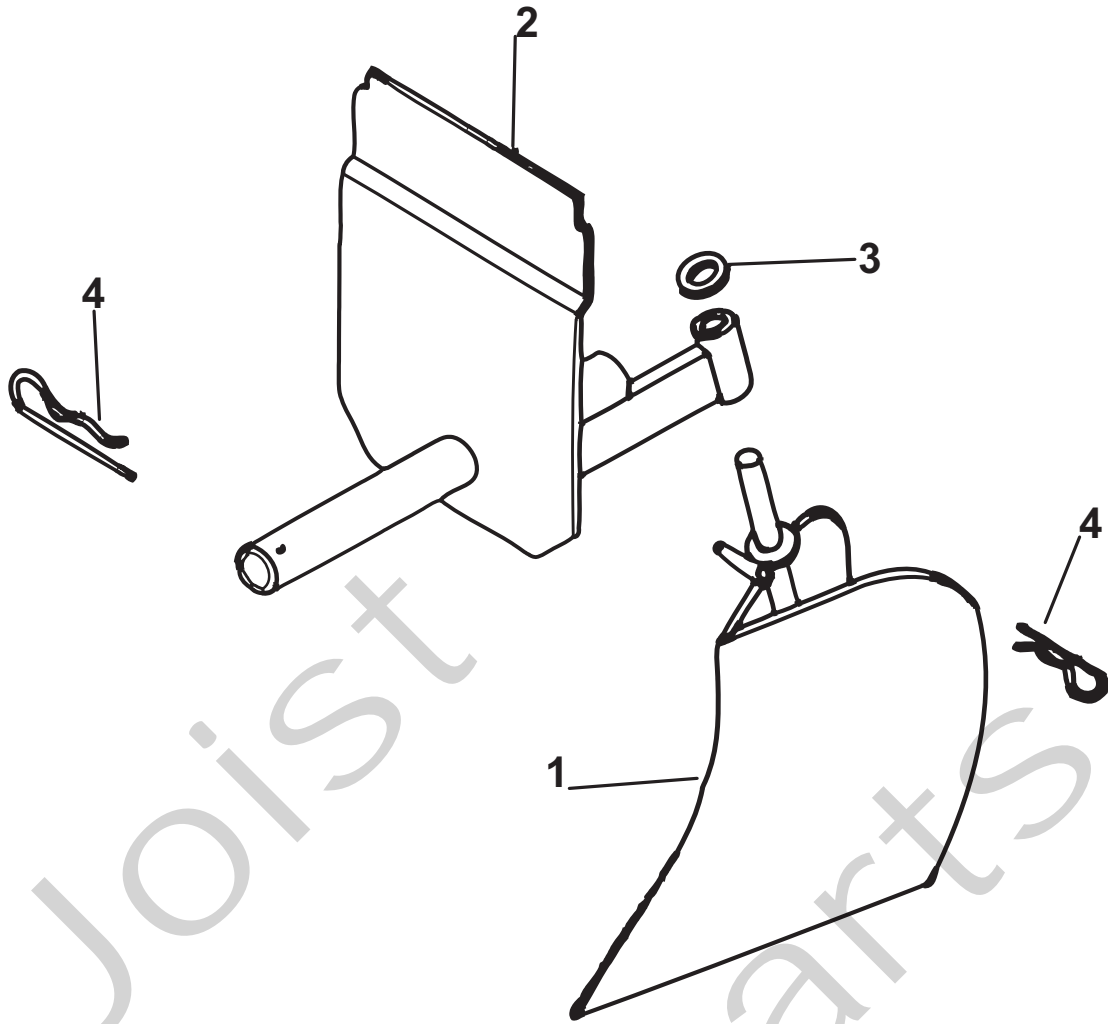
**SILEX 95 H**

Pos. Fig.	Antal Quantity	Art No Part No	Benämning	Description	Anmärkning Notes
62	1	1483-2075-01	Lock	Cap	
63	1	1483-2191-01	Mutter	Nut	

SILEX 95 H

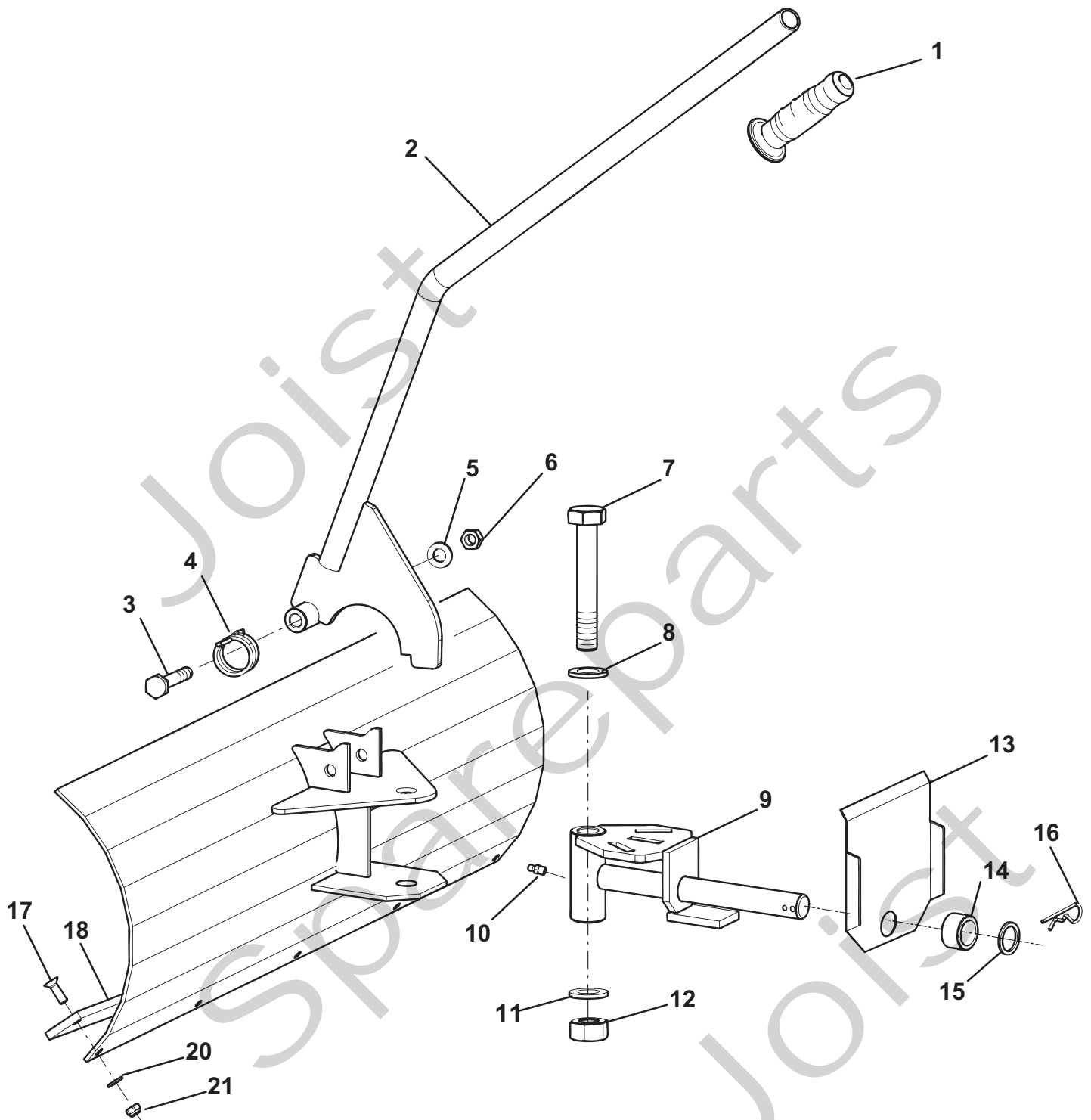
**SILEX 95 H**

Pos. Fig.	Antal Quantity	Art No Part No	Benämning	Description	Anmärkning Notes
1	1	118800139/0	Kniv	Blade	
2	1	118800140/0	Stöd	Support	
3	1	118800141/0	Container	Container	
6	1	118800142/0	Hjul	Wheel	
7	4	9747-1031-02	Mutter	Nut	
8	5	9699-0035-02	Planbricka	Washer	
9	1	9959-0616-16	Skruv	Screw	
10	1	9747-0631-02	Mutter	Nut	
11	2	1483-2194-01	Bricka	Washer	
15	1	118800143/0	Hjul	Wheel	
16	2	118800144/0	Stöd	Support	
18	1	9699-0105-02	Bricka	Washer	
19	1	9997-0620-16	Skruv	Screw	



Pos. Fig.	Antal Quantity	Art No Part No	Benämning	Description	Anmärkning Notes
1	1	118800285/0	Ridger	Ridger	
2	1	118800286/0	Stöd	Support	
3	1	9699 0121 02	Planbricka	Washer	
4	2	9598 0003 02	Låsnål	Spring pin	

SILEX 95 H

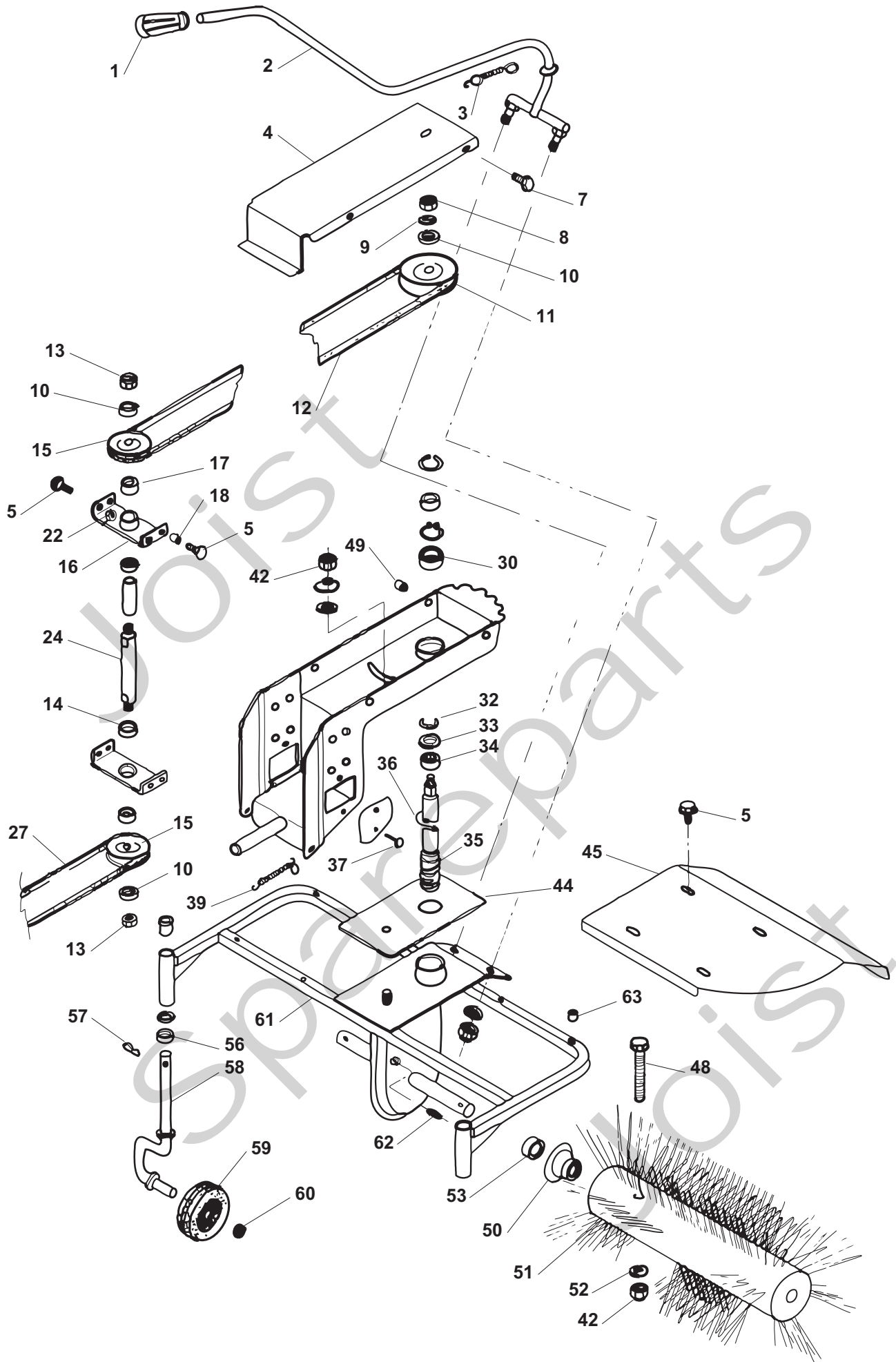




SILEX 95 H

Pos. Fig.	Antal Quantity	Art No Part No	Benämning	Description	Anmärkning Notes
1	1	1483-2079-01	Handtagsgrepp	Handgrip	
2	1	118800294/0	Styre	Handle	
3	1	118800298/0	Skruv	Screw	
4	1	118800295/0	Fjäder	Spring	
5	1	9699-0121-02	Planbricka	Washer	
6	1	9747-1231-02	Mutter	Nut	
7	1	118800299/0	Skruv	Screw	
8	1	9699-0119-02	Bricka	Washer	
9	1	118800293/0	Stöd	Support	
10	1	9501-0500-00	Smörjnippl	Grease Dispenser	
11	1	9699-0119-02	Bricka	Washer	
12	1	118800296/0	Mutter	Nut	
13	1	118800291/0	Stötfångare	Protection	
14	1	118800292/0	Distans	Spacer	
15	1	1483-2297-01	Distans	Spacer	
16	1	9598-0003-02	Låsnål	Spring pin	
17	5	118800297/0	Skruv	Screw	
18	5	118800284/0	Kniv	Blade	
20	5	9699-0028-02	Planbricka	Washer	
21	5	9747-0831-02	Mutter	Nut	

SILEX 95 H





SILEX 95 H

Pos. Fig.	Antal Quantity	Art No Part No	Benämning	Description	Anmärkning Notes
1	1	118800145/0	Knopp	Knob	
2	1	118800146/0	Styre	Handle	
3	1	118800015/0	Fjäder	Spring	
4	1	118800147/0	Stötfångare	Protection	
5	8	9959-0816-16	Skruv	Screw	
7	4	9959-0616-16	Skruv	Screw	
8	1	9799-1231-02	Mutter	Nut	
9	1	9699-0035-02	Planbricka	Washer	
10	3	1483-2085-01	Bricka	Spacer	
11	1	1483-2082-01	Remskiva	Pulley	
12	1	118800023/0	Drivrem	Belt	
13	2	9747-1031-02	Mutter	Nut	
14	1	118800050/0	Baring	Bearing	
15	1	1483-2325-01	Remskiva	Pulley	
16	1	118800051/0	Distans	Spacer	
17	1	118800058/0	Stöd	Support	
18	1	1483-2108-01	Bussning	Spacer	
22	1	9747-0831-02	Mutter	Nut	
24	1	118800150/0	Stift	Pin	
27	1	118800024/0	Drivrem	Belt	
30	1	1483-2192-01	Kullager	Bearing	
32	1	1483-2068-01	Seegerring	Seeger	
33	1	1483-2000-01	Distans	Spacer	
34	1	1483-2072-01	Nållager	Needle Bearing	
35	1	1483-2081-01	Snäckskruv	Endless screw	
36	1	118800151/0	Axel	Shaft	
37	2	9847-8016-16	Skruv	Screw	
38	1	118800290/0	Kåpa	Cover	
39	1	118800025/0	Fjäder	Spring	
42	2	9747-1031-02	Mutter	Nut	
44	1	118800282/0	Basplatta	Plate	
45	1	118800288/0	Stötfångare	Protection	
45	1	118800289/0	Stötfångare	Protection	
46	2	9699-0121-02	Planbricka	Washer	
47	2	9747-1231-02	Mutter	Nut	
48	2	12794985/0	Skruv	Screw (Mod. 122)	
49	1	1483-2190-01	Mutter	Nut	
50	1	1483-2010-01	Dammskydd	Dust Cover	
51	2	118800283/0	Borste	Brush	
52	2	9699-0035-02	Planbricka	Washer	
53	1	1483-2070-01	Tätningring	Oil Seal	
56	2	118800053/0	Distans	Spacer	
57	2	9598-0002-02	Låsnål	Cotter Pin	
58	1	118800155/0	Stöd-hö	Right Support	
58	1	118800156/0	Stöd vä	Left Support	
59	2	118800157/0	Hjul	Wheel	
60	2	1483-2195-01	Låsbricka	Washer	
61	1	118800287/0	Chassi	Chassis	
62	1	1483-2075-01	Lock	Cap	
63	1	1483-2191-01	Mutter	Nut	