

Genuine Spare Parts

www.stiga.com

SILEX 75 RHX Model Year 2011

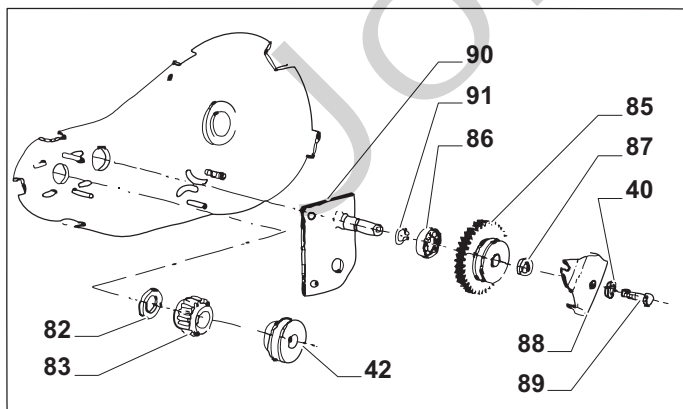
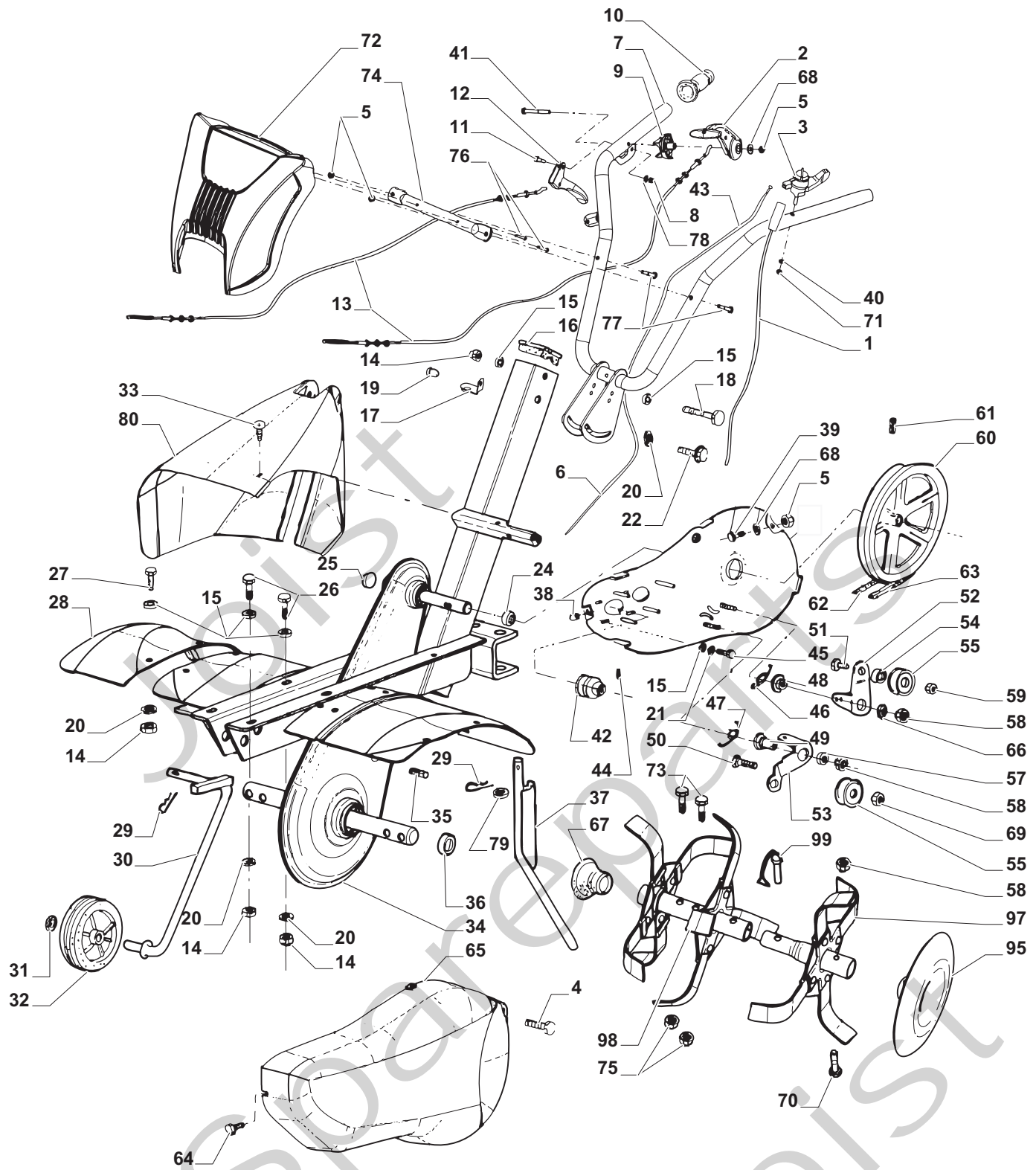
- Use GLOBAL GARDEN PRODUCT Genuine Spare Parts specified in the parts list for repair and/or replacement.
- The contents described in the parts list may change due to improvement.
- The drawings of the spare parts are only indicative and might not represent the part in question exactly.
- The indications "right" - "left" - "front" - "rear" refer to the position of the operator when using the machine.
- When placing orders of parts for repair and/or replacement, make sure that the illustrated parts list is the one applying to the machine's year of manufacture, as shown on the identification plate attached to the machine.

COPYRIGHT by GLOBAL GARDEN PRODUCTS

All rights reserved. No part of this material may be reproduced or transmitted, in any form or by any means, electronic or mechanical, including photocopying, recording or by any information storage and retrieval system, without permission in writing from GLOBAL GARDEN PRODUCTS.



SILEX 75 RHX

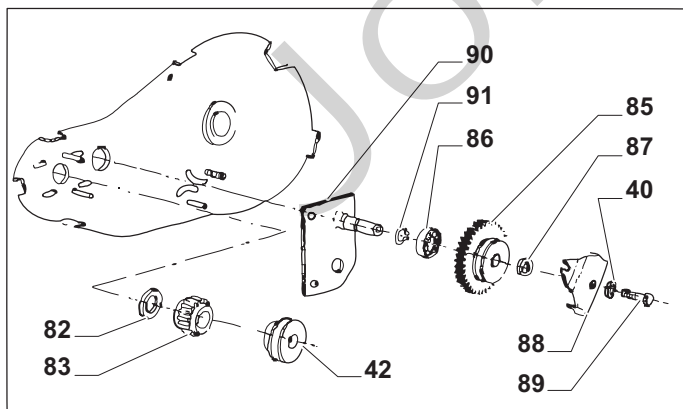
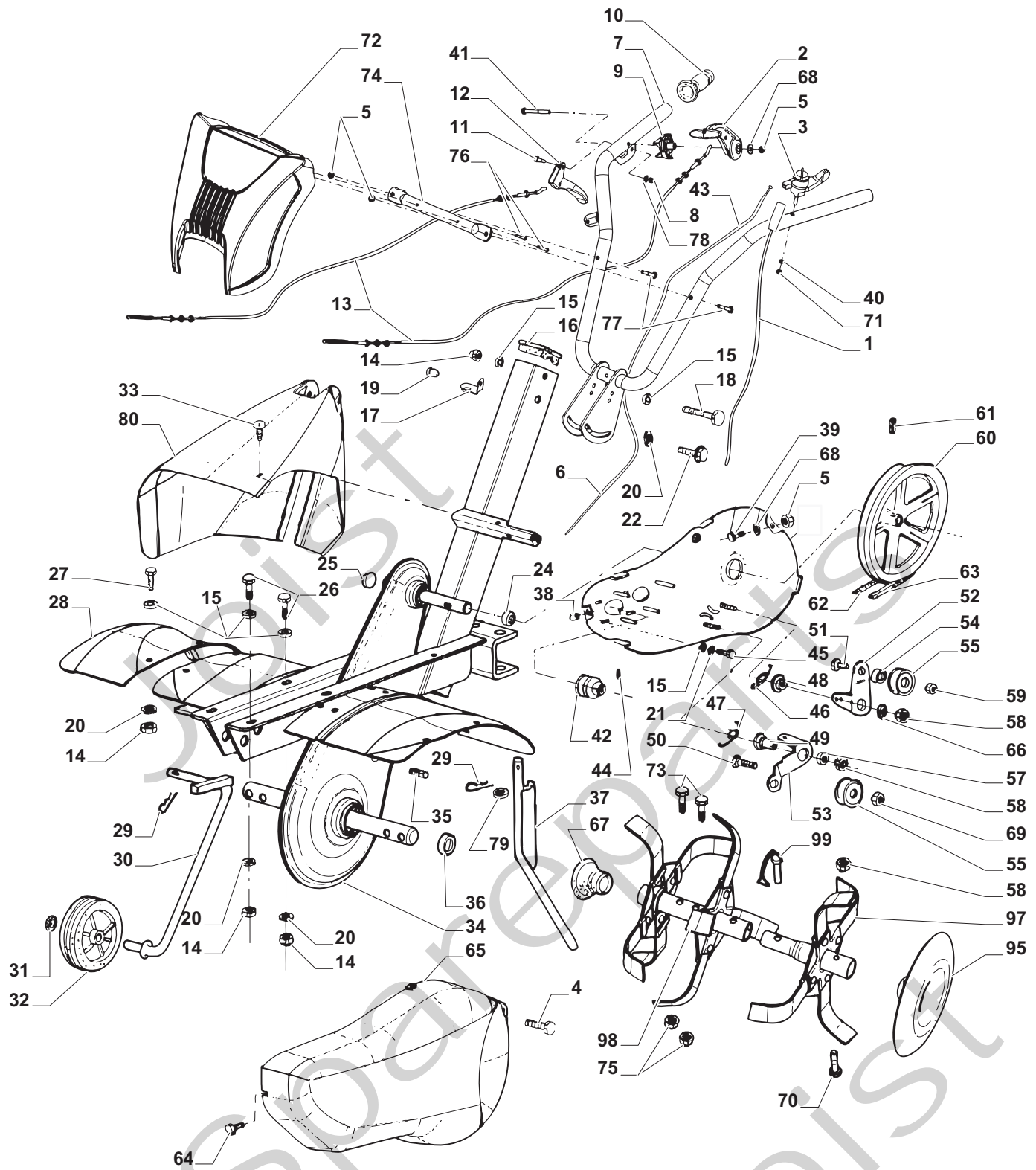




SILEX 75 RHX

Pos. Fig.	Antal Quantity	Art No Part No	Benämning	Description	Anmärkning Notes
1	1	1483-2211-01	Stoppkabel	Wire	
2	1	1483-2017-01	Kopplingshandtag-back	Lever	
3	1	1483-2278-01	Gasarm	Lever, Throttle	
4	1	9959-0616-16	Skruv	Screw	
5	4	9747-0631-02	Mutter	Nut	
6	1	1483-2296-01	Gaswire-inre	Throttle Cable	
7	1	1483-2163-01	Styre-överdel	Handle	
8	1	9747-0531-02	Mutter	Nut	
9	1	1483-2018-01	Stöd	Support	
10	2	1483-2079-01	Handtagsgrepp	Handgrip	
11	1	1483-2005-01	Skruv	Pin	
12	1	1483-2008-01	Kopplingshandtag	Handle	
13	2	1483-2162-01	Reglagewire	Cable	
14	9	9747-0831-02	Mutter	Nut	
15	16	9699-0028-02	Planbricka	Washer	
16	1	1483-2166-01	Lock	Cap	
17	4	1483-2021-01	Vinkelfäste	Support	
18	1	9997-0865-12	Skruv	Screw	
19	2	1483-2191-01	Mutter	Nut	
20	9	9699-0122-02	Bricka	Washer	
21	1	9699-0028-02	Planbricka	Washer	
22	2	9959-0825-16	Skruv	Screw	
24	1	1483-2187-01	Tätningring	Oil Seal	
25	1	1483-2186-01	Lock	Cap	
26	4	9997-0840-16	Skruv	Screw L = 40 Mm	
27	4	9997-0820-16	Skruv	Screw	
28	1	1483-2171-01	Skyddsplåt-hö, gul	Plate, Right Yellow	
28	1	1483-2172-01	Skyddsplåt-vä, gul	Plate, Left Yellow	
29	2	9598-0002-02	Låsnål	Cotter Pin	
30	1	1483-2168-01	Stödhjulsfäste	Support	
31	1	1483-2195-01	Låsbricka	Washer	
32	1	1483-2112-01	Stödhjul	Support	
33	1	9943-0625-16	Skruv	Screw	
34	1	1483-2156-01	Växelhus kpl-gul	Transm.housing-yellow	
35	1	1483-2075-01	Lock	Cap	
36	2	1483-2070-01	Tätningring	Oil Seal	
37	1	1483-2167-01	Bromssporre	Lever	
38	1	1483-2190-01	Mutter	Nut	
39	1	9997-0616-16	Skruv	Screw	
40	1	9683-0025-02	Låsbricka	Washer	
41	1	9997-0660-12	Skruv	Screw	
42	1	1483-2174-01	Remskiva	Pulley	
43	1	1483-2295-01	Gaswire-yttre	Wire Sheath	
44	1	9915-0610-15	Skruv	Screw	
45	4	9987-5116-16	Skruv	Screw	
46	1	1483-2158-01	Fjäder	Spring	
47	1	1483-2157-01	Fjäder	Spring	
48	1	1483-2153-01	Distans	Spacer	
49	1	1483-2152-01	Distans	Spacer	
50	1	1483-2076-01	Skruv	Screw	
51	1	9997-1235-16	Skruv	Screw	
52	1	1483-2154-01	Spännarm	Lever	
53	1	1483-2155-01	Spännarm	Lever	
54	1	1483-2151-01	Distans	Spacer	
55	2	1483-2004-01	Spännrulle	Pulley	
57	2	9699-0035-02	Planbricka	Washer	
58	4	9747-1031-02	Mutter	Nut	
59	1	9747-1231-02	Mutter	Nut	
60	1	1483-2150-01	Remskiva	Pulley	

SILEX 75 RHX

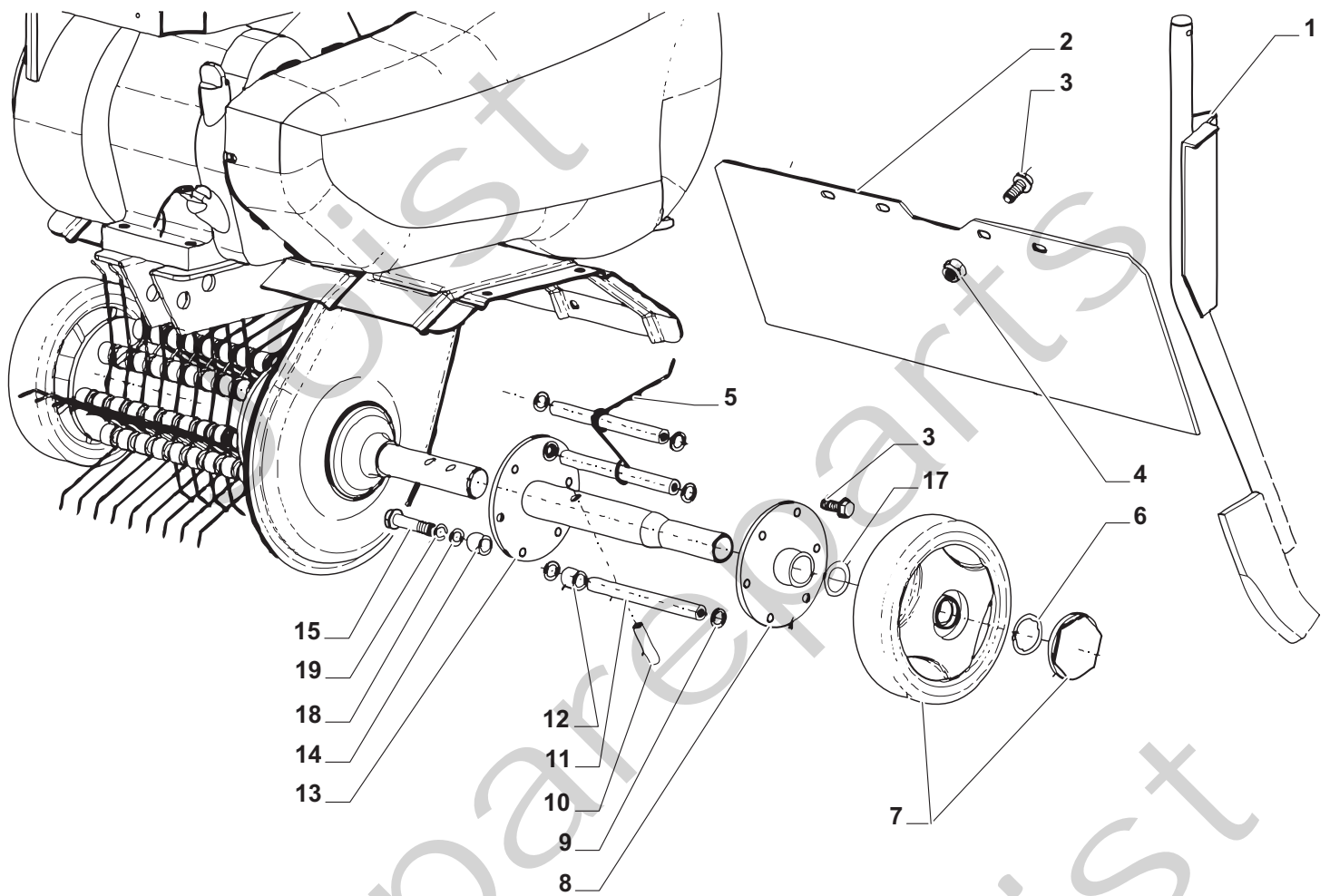




SILEX 75 RHX

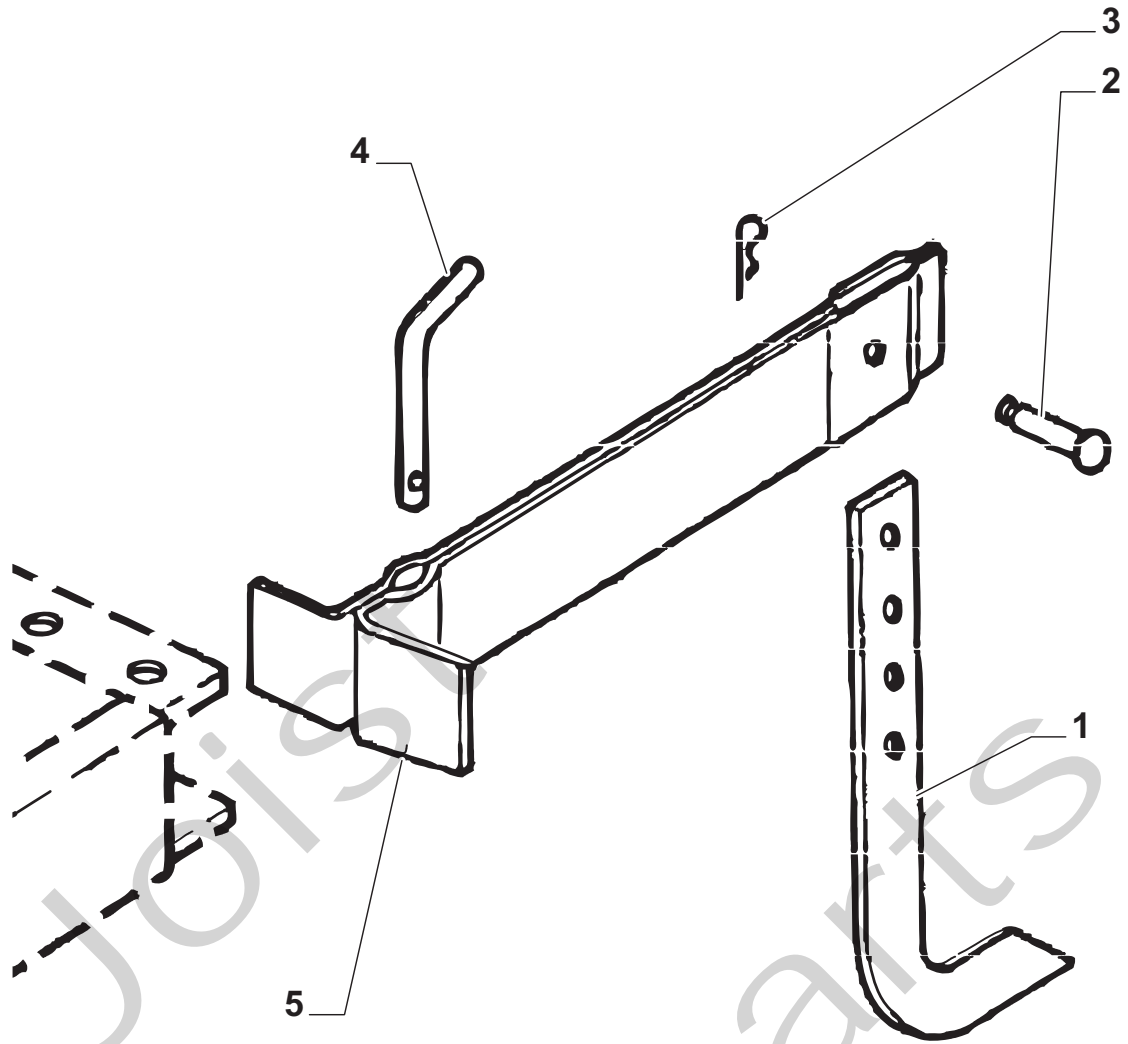
Pos. Fig.	Antal Quantity	Art No Part No	Benämning	Description	Anmärkning Notes
61	1	9595-0277-01	Spännstift	Pin	
62	1	1483-2141-01	Drivrem	Belt	
63	1	1483-2149-01	Drivrem	Belt	
64	1	9959-0616-16	Skruv	Screw	
65	1	1483-2159-01	Remskydd	Guard	
66	1	1483-2020-01	Distans	Spacer	
67	2	1483-2173-01	Dammskydd	Dust Cover	
68	2	9699-0100-02	Bricka	Washer	
69	1	1483-2193-01	Mutter	Nut	
70	2	9997-1050-16	Skruv	Screw	
71	1	9747-0631-02	Mutter	Nut	
72	1	1483-2182-01	Panel-gul	Mask, Yellow	
73	4	9997-1050-16	Skruv	Screw	
74	1	1483-2180-01	Panelstag	Bracket	
75	4	9747-1031-02	Mutter	Nut	
76	2	1483-2200-01	Skruv	Screw	
77	2	9997-0635-12	Skruv	Screw	
78	1	9699-0025-02	Planbricka	Washer	
79	1	9699-0104-02	Bricka	Washer	
80	1	1483-2160-01	Kåpa-gul	Cover Yellow	
82	1	1483-2117-01	Distans	Spacer	
83	1	1483-2176-01	Kuggjul	Sprocket	
85	1	1483-2175-01	Kuggjul	Sprocket	
86	1	9549-0001-00	Kullager	Bearing	
87	1	1483-2145-01	Distans	Spacer	
88	1	1483-2147-01	Fäste	Bracket	
89	1	9997-0612-16	Skruv	Screw	
90	1	1483-2146-01	Monteringsplatta	Plate	
91	1	9650-0012-04	Seegersåkring	Ring	
95	2	1483-2022-01	Sidotallrik	Disc	
97	1	1483-2169-01	Rotor kpl-yttre, hö	Right Tine Assy	
97	1	1483-2170-01	Rotor kpl-yttre, vä	Left Tine Assy	
98	1	1483-2023-01	Rotor kpl-hö	Right Tine Assy	
98	1	1483-2024-01	Rotor kpl-vä	Left Tine Assy	
99	2	1483-2196-01	Låssprint	Pin	

SILEX 75 RHX

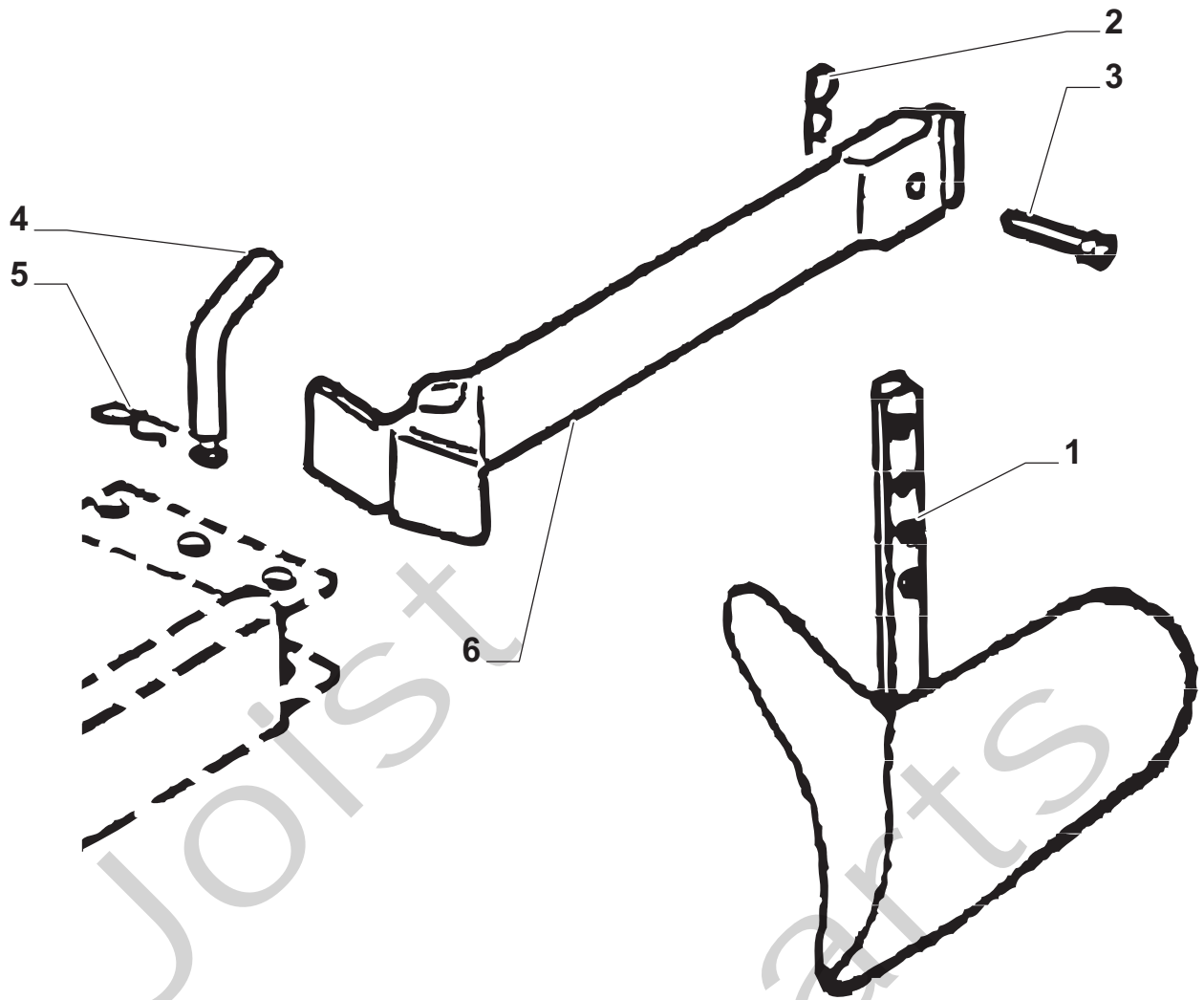


**SILEX 75 RHX**

Pos. Fig.	Antal Quantity	Art No Part No	Benämning	Description	Anmärkning Notes
1	1	1483-2317-01	Släpsko	Rod	
2	1	1483-2318-01	Skyddsplåt	Cover	
3	16	9959-0816-16	Skruv	Screw	
4	4	9747-0831-02	Mutter	Nut	
5	96	1483-2307-01	Fjäder	Spring	
6	2	1483-2322-01	Låsbricka	Crown Fastener	
7	2	1483-2314-01	Hjul	Wheel	
8	2	1483-2313-01	Fläns	Flange	
9	36	9699-0121-02	Planbricka	Washer	
10	2	1483-2324-01	Sprint	Pin	
11	12	1483-2305-01	Axel	Shaft	
12	96	1483-2315-01	Plastdistans	Spacer	
13	2	1483-2312-01	Fäste	Clamp	
14	12	1483-2316-01	Distans	Spacer	
15	12	9997-0835-12	Skruv	Screw	
17	2	1483-2297-01	Distans	Spacer	
18	12	9699-0122-02	Bricka	Washer	
19	12	9699-0028-02	Planbricka	Washer	

SILEX 75 RHX


Pos. Fig.	Antal Quantity	Art No Part No	Benämning	Description	Anmärkning Notes
1	1	1483-2287-01	Bromssporre	Rod	
2	1	1483-2286-01	Skruv	Pin	
3	1	9599-0052-02	Saxsprint	Cotter Pin	
4	1	1483-2292-01	Skruv	Pin	
5	1	1483-2293-01	Fäste	Bracket	

SILEX 75 RHX


Pos. Fig.	Antal Quantity	Art No Part No	Benämning	Description	Anmärkning Notes
1	1	1483-2294-01	Plog	Plough	
2	1	9598-0002-02	Låsnål	Cotter Pin	
3	1	1483-2286-01	Skruv	Pin	
4	1	1483-2292-01	Skruv	Pin	
5	1	9599-0052-02	Saxsprint	Cotter Pin	
6	1	1483-2293-01	Fäste	Bracket	