

Genuine Spare Parts

www.stiga.com

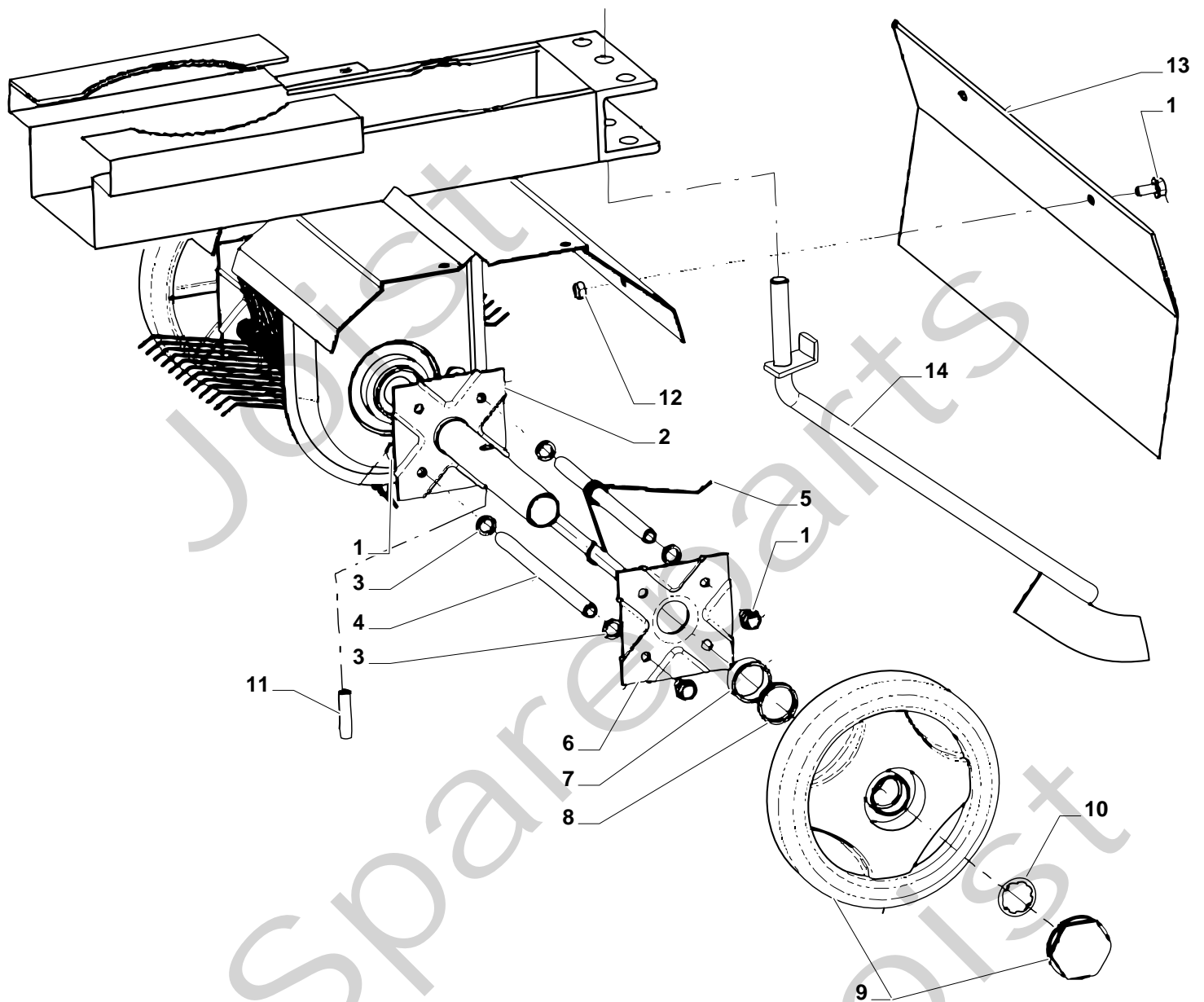
SILEX 500 G Model Year 2010

- Use GLOBAL GARDEN PRODUCT Genuine Spare Parts specified in the parts list for repair and/or replacement.
- The contents described in the parts list may change due to improvement.
- The drawings of the spare parts are only indicative and might not represent the part in question exactly.
- The indications "right" - "left" - "front" - "rear" refer to the position of the operator when using the machine.
- When placing orders of parts for repair and/or replacement, make sure that the illustrated parts list is the one applying to the machine's year of manufacture, as shown on the identification plate attached to the machine.

COPYRIGHT by GLOBAL GARDEN PRODUCTS

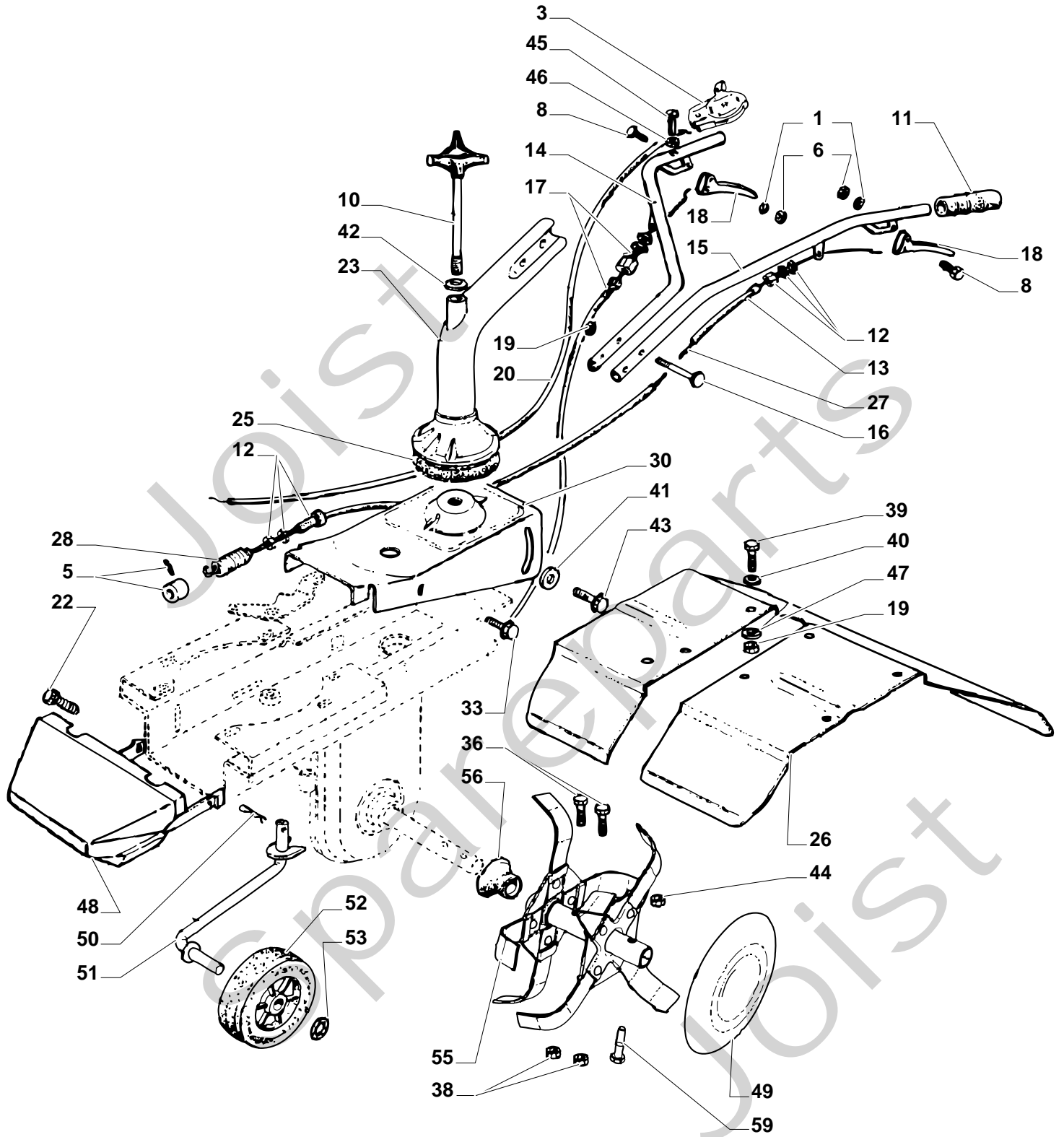
All rights reserved. No part of this material may be reproduced or transmitted, in any form or by any means, electronic or mechanical, including photocopying, recording or by any information storage and retrieval system, without permission in writing from GLOBAL GARDEN PRODUCTS.





**SILEX 500 G - Model Year 2010**

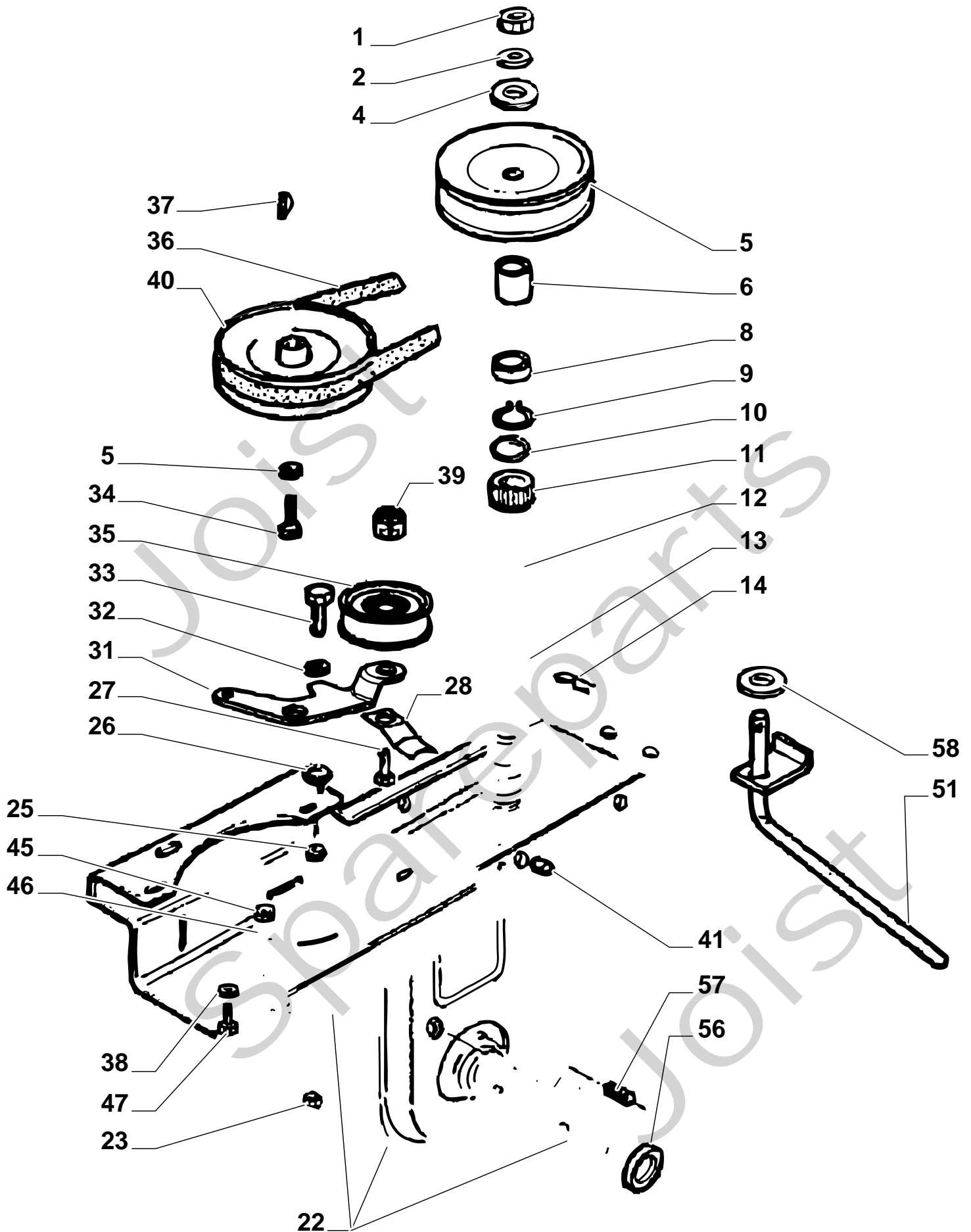
Pos. Fig.	Antal Quantity	Art No Part No	Benämning	Description	Anmärkning Notes
1	18	9959-0816-16	Skruv	Screw	
2	2	1483-2309-01	Fäste	Clamp	
3	16	9699-0121-02	Planbricka	Washer	
4	8	1483-2305-01	Axel	Shaft	
5	96	1483-2307-01	Fjäder	Spring	
6	2	1483-2301-01	Fläns	Flange	
7	2	1483-2310-01	Distansring	Spacer	
8	2	1483-2285-01	Distans	Spacer	
9	2	1483-2308-01	Hjul	Wheel	
10	2	1483-2322-01	Låsbricka	Crown Fastener	
11	2	1483-2324-01	Sprint	Pin	
12	2	9747-0831-02	Mutter	Nut	
13	1	1483-2298-01	Skyddsplåt	Cover	
14	1	1483-2303-01	Släpsko	Rod	





SILEX 500 G - Model Year 2010

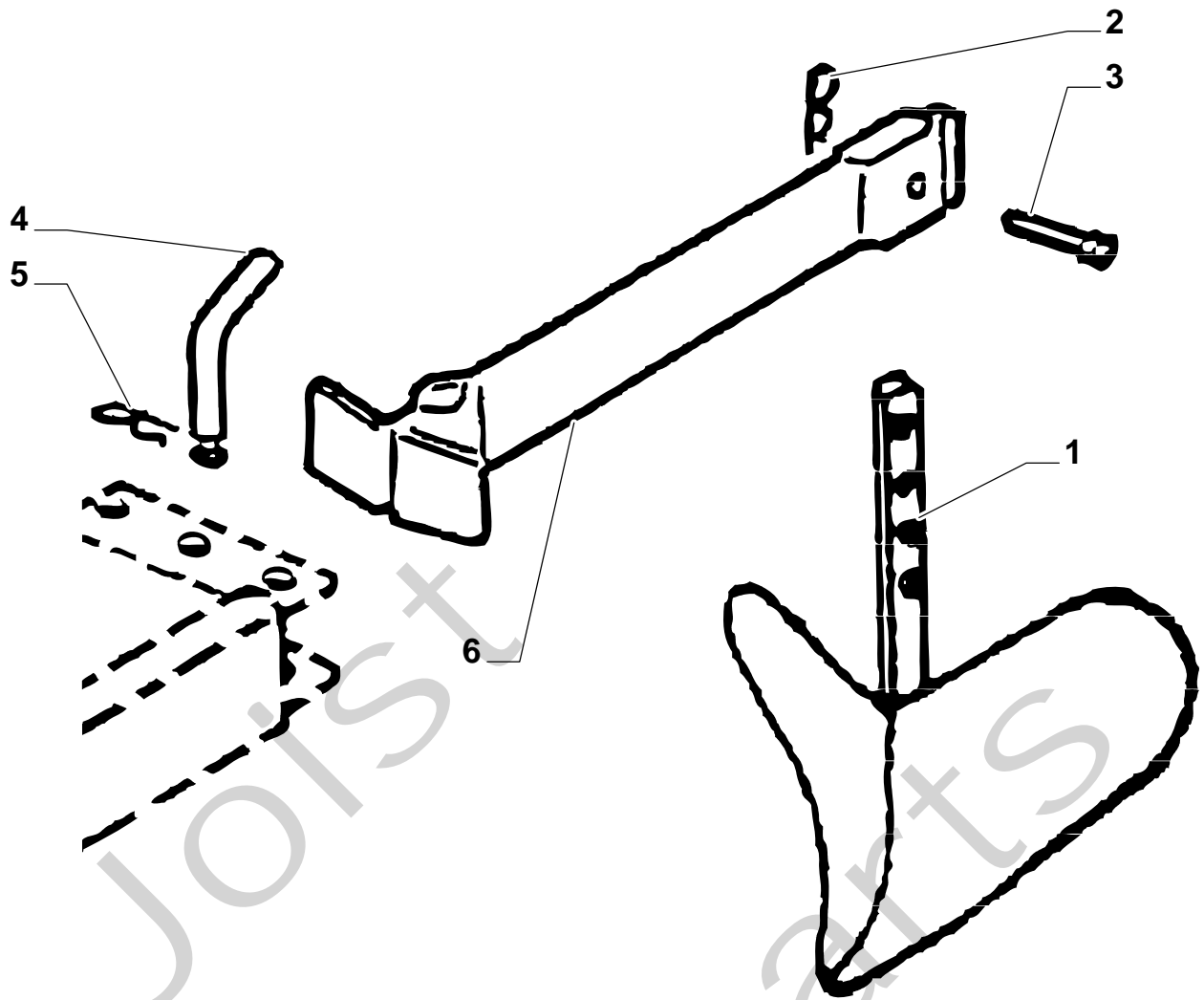
Pos. Fig.	Antal Quantity	Art No Part No	Benämning	Description	Anmärkning Notes
1	2	9699-0025-02	Planbricka	Washer	
3	1	1483-2143-01	Gasreglage	Accelerator	
5	1	1483-2198-01	Distans	Spacer (500 R-G)	
6	1	9747-0531-02	Mutter	Nut	
8	1	1483-2005-01	Skruv	Pin	
10	1	1483-2099-01	Lösskruv	Knob	
11	2	1483-2009-01	Grepp	Handgrip	
12	2	1483-2197-01	Justernippel	Cable Adjuster (500 R-G)	
13	1	1483-2110-01	Reglagewire kpl	Cable (500-G)	
13	1	1483-2116-01	Regl.wire-yttre	Cable	
14	1	1483-2098-01	Styrrör-hö	Handle (500-G)	
14	1	1483-2102-01	Styrrör-hö	Handle (500 R-G)	
15	1	1483-2100-01	Styrrör-vä	Handle	
16	2	9897-0880-12	Skruv	Screw	
17	1	1483-2104-01	Reglagewire	Cable (500 R-G)	
18	1	1483-2008-01	Kopplingshandtag	Handle	
19	6	9747-0831-02	Mutter	Nut	
20	1	1483-2142-01	Gaswire	Throttle Cable	
22	1	9847-8016-16	Skruv	Screw	
23	1	1483-2105-01	Styrfäste-gul	Support Yellow	
25	1	1483-2078-01	Platta	Disc	
26	1	1483-2101-01	Skyddsplåt-gul	Guard Yellow	
27	1	1483-2103-01	Reglagewire-inre	Cable (500 R-G)	
28	1	1483-2115-01	Fjäder	Spring (500 R-G)	
30	1	1483-2086-01	Styrfästplåt-gul	Plate Yellow	
30	1	1483-2086-02	Styrfästplåt-röd	Plate Red	
33	2	9959-0816-16	Skruv	Screw	
36	4	9997-1050-16	Skruv	Screw	
38	4	9747-1031-02	Mutter	Nut	
39	4	9997-0820-16	Skruv	Screw	
40	4	9699-0028-02	Planbricka	Washer	
41	2	9699-0056-02	Planbricka	Washer	
42	1	9699-0121-02	Planbricka	Washer	
43	2	9959-0825-16	Skruv	Screw	
44	2	9747-1031-02	Mutter	Nut	
45	1	9948-0650-16	Skruv	Screw	
46	1	9747-0631-02	Mutter	Nut	
47	4	9699-0122-02	Bricka	Washer	
48	1	1483-2080-01	Frontplåt	Plate	
49	2	1483-2022-01	Sidotallrik	Disc	
50	1	9598-0002-02	Låsnål	Cotter Pin	
51	1	1483-2106-01	Stödhjulsfäste	Support	
52	1	1483-2111-01	Stödhjul	Wheel	
53	1	1483-2195-01	Låsbicka	Washer	
55	1	1483-2023-01	Rotor kpl-hö	Right Tine Assy	
55	1	1483-2024-01	Rotor kpl-vä	Left Tine Assy	
56	2	1483-2010-01	Dammskydd	Dust Cover	
59	2	9997-1050-16	Skruv	Screw	



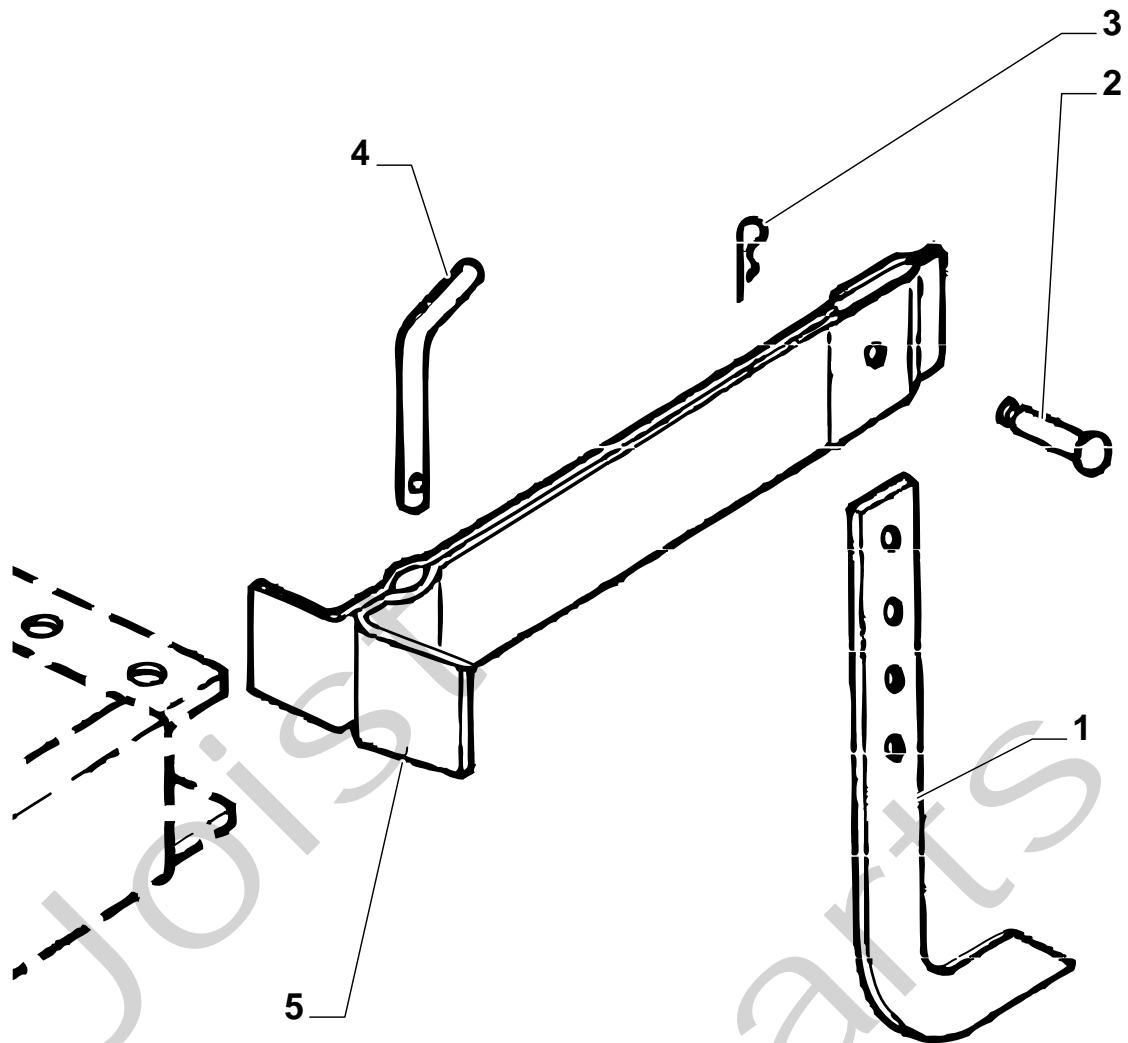


SILEX 500 G - Model Year 2010

Pos. Fig.	Antal Quantity	Art No Part No	Benämning	Description	Anmärkning Notes
1	1	9799-1231-02	Mutter	Nut	
2	2	9699-0035-02	Planbricka	Washer	
4	1	1483-2085-01	Bricka	Spacer	
5	1	1483-2082-01	Remskiva	Pulley	
6	1	1483-2084-01	Distans	Spacer	
8	1	1483-2192-01	Kullager	Bearing	
9	1	1483-2068-01	Seegerring	Seeger	
10	1	1483-2000-01	Distans	Spacer	
11	1	1483-2072-01	Nållager	Needle Bearing	
12	1	1483-2081-01	Snäckskruv	Endless screw	
13	1	1483-2188-01	O-ring	O Ring	
14	1	9598-0002-02	Låsnål	Cotter Pin	
22	1	1483-2093-01	Transm.hus-gul	Transm.housing-yellow	
23	1	9747-1031-02	Mutter	Nut	
25	1	1483-2001-01	Bussning	Bush	
26	1	1483-2096-01	Fjäder	Spring	
27	1	9997-1230-16	Skruv	Screw	
28	1	1483-2144-01	Remstyrning	Belt Guide	
31	1	1483-2083-01	Spännarm	Lever	
32	1	9699-0105-02	Bricka	Washer	
33	1	9997-1020-16	Skruv	Screw	
34	1	9987-5225-16	Skruv	Screw	
35	1	1483-2004-01	Spännrulle	Pulley	
36	1	1483-2113-01	Drivrem	Belt	
37	1	12139100/0	Kil	Key	
38	1	9699-0122-02	Bricka	Washer	
39	1	9747-1231-02	Mutter	Nut	
40	1	1483-2002-01	Remskiva	Pulley	
41	1	1483-2108-01	Bussning	Spacer	
45	1	9747-0831-02	Mutter	Nut	
46	1	9699-0028-02	Planbricka	Washer	
47	1	9997-0840-16	Skruv	Screw L = 40 Mm	
51	1	1483-2107-01	Bromssporre	Lever	
56	2	1483-2070-01	Tätningring	Oil Seal	
57	1	1483-2075-01	Lock	Cap	
58	1	9699-0104-02	Bricka	Washer	



Pos. Fig.	Antal Quantity	Art No Part No	Benämning	Description	Anmärkning Notes
1	1	1483-2294-01	Plog	Plough	
2	1	9598-0002-02	Låsnål	Cotter Pin	
3	1	1483-2286-01	Skruv	Pin	
4	1	1483-2292-01	Skruv	Pin	
5	1	9599-0052-02	Saxsprint	Cotter Pin	
6	1	1483-2293-01	Fäste	Bracket	



Pos. Fig.	Antal Quantity	Art No Part No	Benämning	Description	Anmärkning Notes
1	1	1483-2287-01	Bromssporre	Rod	
2	1	1483-2286-01	Skruv	Pin	
3	1	9599-0052-02	Saxsprint	Cotter Pin	
4	1	1483-2292-01	Skruv	Pin	
5	1	1483-2293-01	Fäste	Bracket	