

Genuine Spare Parts

www.stiga.com

SHM 180 Model Year 2011

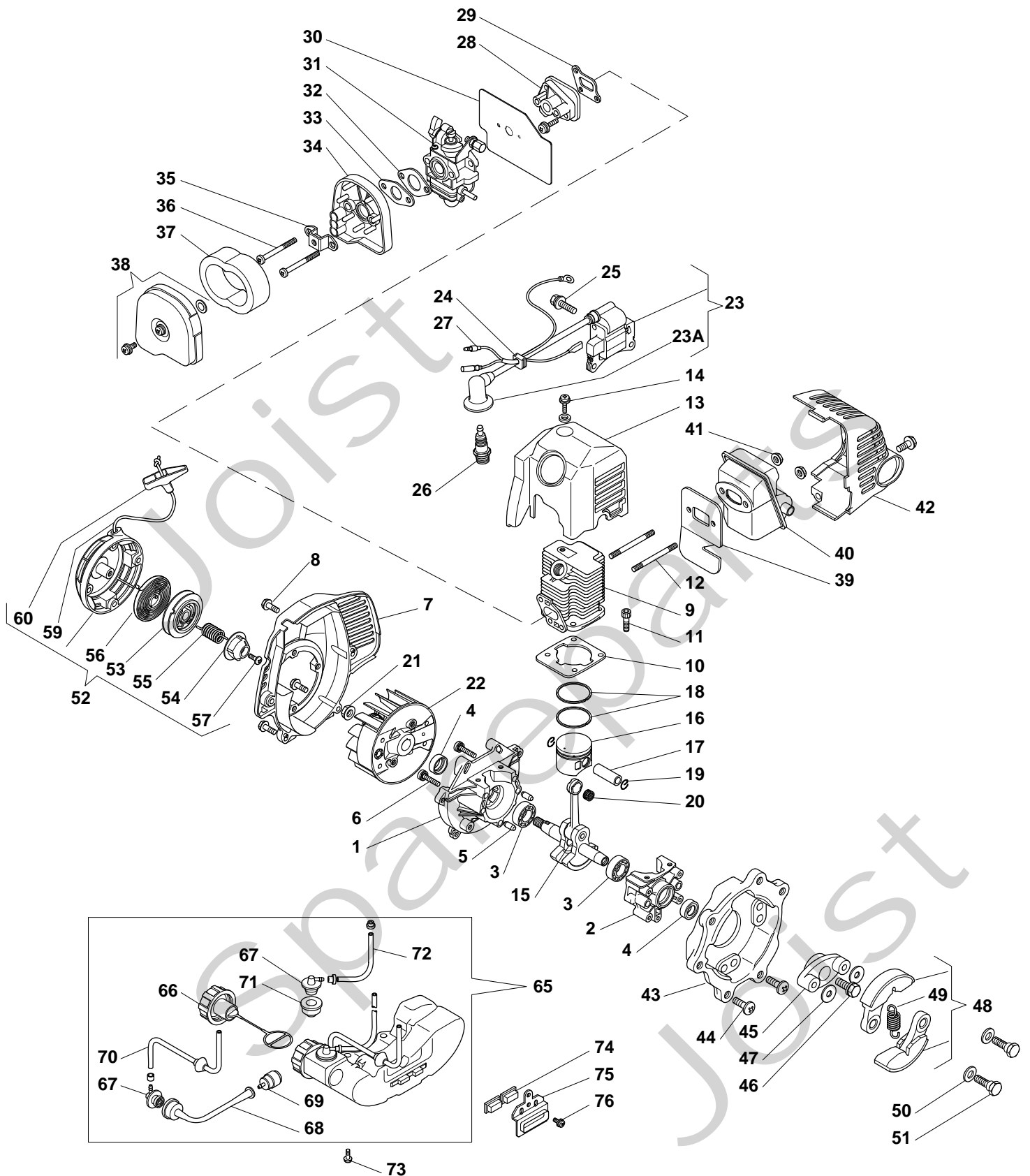
- Use GLOBAL GARDEN PRODUCT Genuine Spare Parts specified in the parts list for repair and/or replacement.
- The contents described in the parts list may change due to improvement.
- The drawings of the spare parts are only indicative and might not represent the part in question exactly.
- The indications "right" - "left" - "front" - "rear" refer to the position of the operator when using the machine.
- When placing orders of parts for repair and/or replacement, make sure that the illustrated parts list is the one applying to the machine's year of manufacture, as shown on the identification plate attached to the machine.

COPYRIGHT by GLOBAL GARDEN PRODUCTS

All rights reserved. No part of this material may be reproduced or transmitted, in any form or by any means, electronic or mechanical, including photocopying, recording or by any information storage and retrieval system, without permission in writing from GLOBAL GARDEN PRODUCTS.

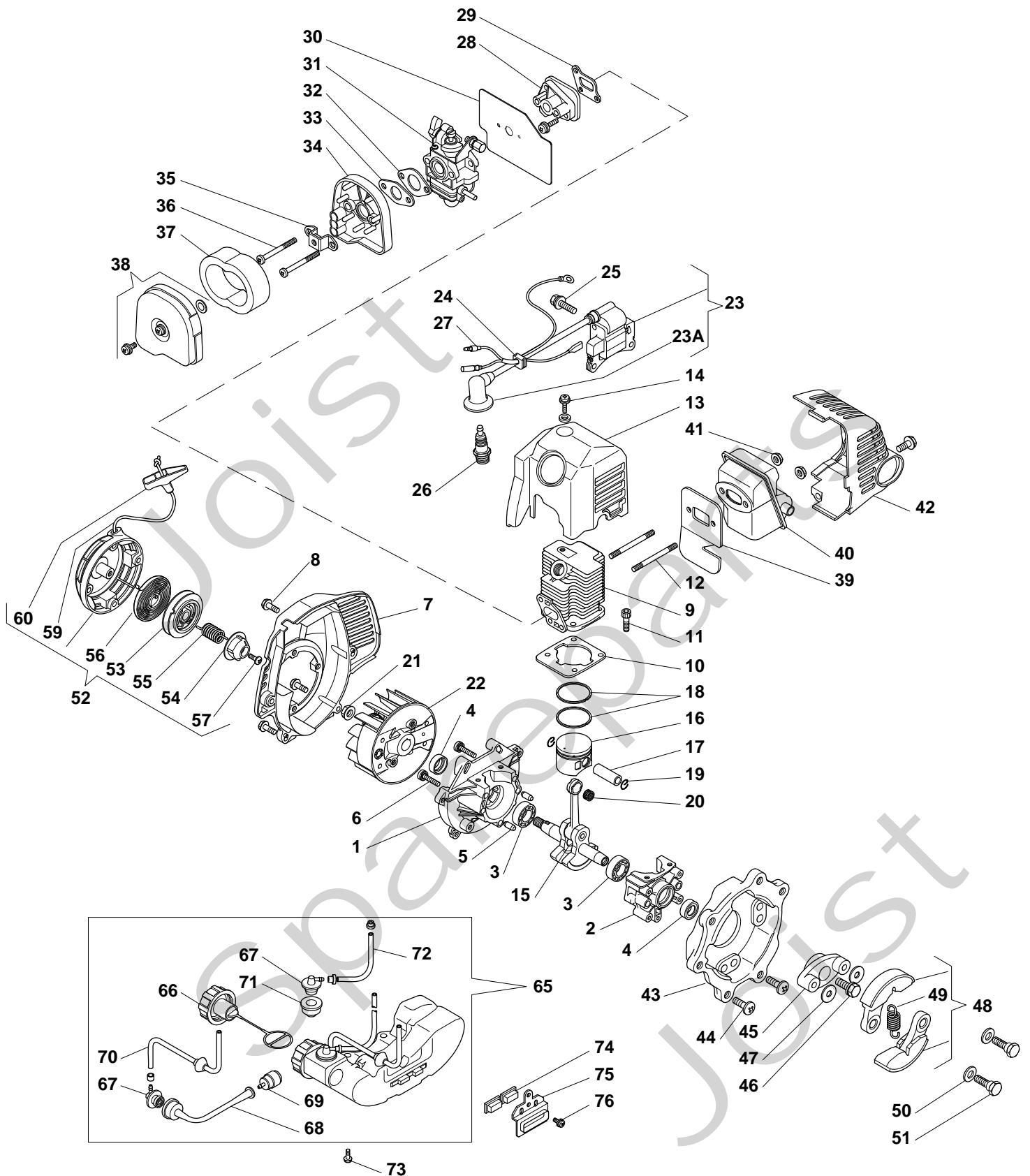


STIGA®



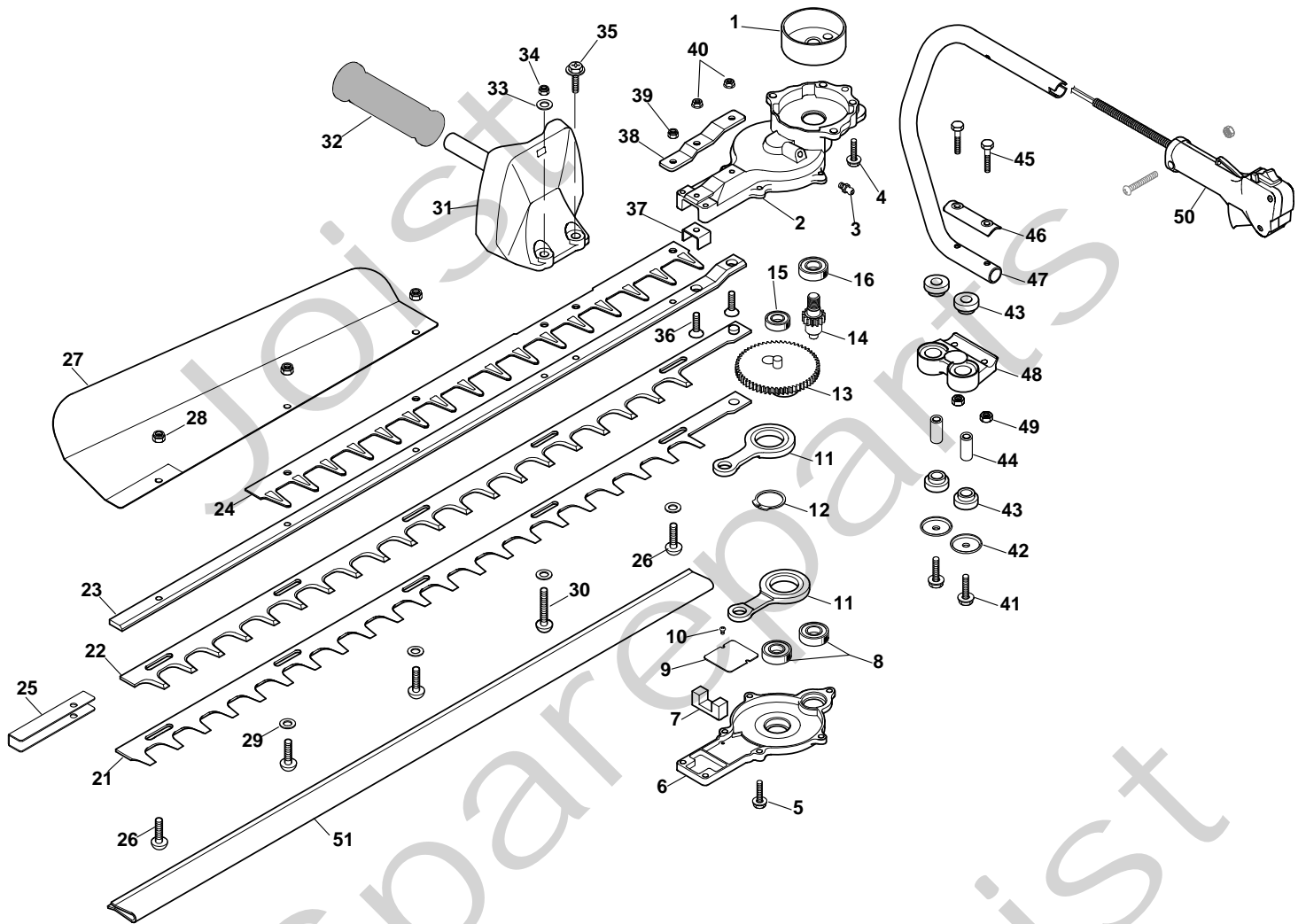


| Pos. Fig. | Antal Quantity | Art No Part No | Benämning | Description | Anmärkning Notes |
|-----------|----------------|----------------|------------------|-------------------------|------------------|
| 1 | 1 | 123685014/0 | Vevhus | Crank Case | |
| 2 | 1 | 123685015/0 | Vevhus | Crank Case | |
| 3 | 2 | 114215220/0 | Kullager | Bearing | |
| 4 | 2 | 119035160/0 | Tätningssring | Seal Ring | |
| 5 | 2 | 123753002/0 | Centrerstift | Centring Pin | |
| 6 | 3 | 123878066/0 | Skruv | Screw | |
| 7 | 1 | 123107505/0 | Kåpa | Engine Cover Yellow | |
| 8 | 4 | 123878095/0 | Skruv | Screw | |
| 9 | 1 | 123071022/0 | Cylinder | Cylinder | |
| 10 | 1 | 123280069/0 | Cylinderkåpa | Cylinder Gasket | |
| 11 | 4 | 123878096/0 | Skruv | Screw | |
| 12 | 1 | 123106032/0 | Cylinderkåpa-gul | Engine Cover Yellow | |
| 12 | 2 | 123878061/0 | Stud Skruv | Double-Screw Bolt | |
| 14 | 1 | 123878097/0 | Skruv | Screw | |
| 15 | 1 | 123020031/0 | Vevaxel | Crankshaft | |
| 16 | 1 | 123590013/0 | Kolv | Piston | |
| 17 | 1 | 123760001/0 | Kolvbult | Piston Pin | |
| 18 | 2 | 123204015/0 | Kolvring | Piston Ring | |
| 19 | 2 | 123202002/0 | Låsring | Washer, Piston Pin | |
| 20 | 1 | 123235003/0 | Nållager | Needle Bearing | |
| 21 | 1 | 123120005/0 | Mutter | Nut | |
| 22 | 1 | 123880013/0 | Svänghjul | Flywheel Ass.Y | |
| 23A | 1 | 123053002/0 | Tändstiftshatt | Spark Plug Cover | |
| 23 | 1 | 183044002/0 | Elektron kspole | Ignition Ass'Y | |
| 24 | 1 | 123275029/0 | Hylsa | Grommet | |
| 25 | 2 | 123878064/0 | Skruv | Screw | |
| 26 | 1 | 3210024 | Tändstift | Spark Plug | |
| 27 | 1 | 123065043/0 | Jordkabel | Earth Cable | |
| 28 | 1 | 123073517/0 | Insugningsrör | Intake Manifold | |
| 29 | 1 | 123280070/0 | Packning | Intake Manif-Gasket | |
| 30 | 1 | 123280071/0 | Packning | Intake-Carb Gasket | |
| 31 | 1 | 123054035/0 | Förgasare | Carburettor | |
| 32 | 1 | 123208413/0 | Distans | Spacer | |
| 33 | 1 | 123280072/0 | Tätningssring | Gasket | |
| 34 | 1 | 123040004/0 | Luftfilterstöd | Air Cleaner Base | |
| 35 | 1 | 123208414/0 | Deflektor | Steam | |
| 36 | 2 | 123878098/0 | Skruv | Screw | |
| 37 | 1 | 123220016/0 | Luftfilter | Air Filter | |
| 38 | 1 | 183090014/0 | Luftfilterlock | Filter Cover | |
| 39 | 1 | 123280073/0 | Tätningssring | Gasket | |
| 40 | 1 | 183740019/0 | Ljuddämpare | Muffler | |
| 41 | 2 | 123120011/0 | Mutter | Nut | |
| 42 | 1 | 123600076/0 | Ljuddämparskydd | Muffler Shield, Yellow | |
| 43 | 1 | 123208415/0 | Fläns | Flange | |
| 44 | 4 | 123878099/0 | Skruv | Screw | |
| 45 | 1 | 123445263/0 | Ledplåt | Clutch-Mass Guide Plate | |
| 46 | 1 | 123878100/0 | Skruv | Screw | |
| 47 | 2 | 123657015/0 | Bricka | Washer | |
| 48 | 1 | 183215009/0 | Koppling kpl | Clutch Ass.Y | |
| 49 | 1 | 123430600/0 | Fjäder | Spring | |
| 50 | 2 | 123657016/0 | Bricka | Washer | |
| 51 | 2 | 123878101/0 | Skruv | Screw | |
| 52 | 1 | 183058039/0 | Start kpl | Starter Ass.Y | |
| 53 | 1 | 123604012/0 | Linhjul | Starter Pulley | |
| 54 | 1 | 123445265/0 | Plåt | Plate | |
| 55 | 1 | 123430601/0 | Fjäder | Spring | |
| 56 | 1 | 123430602/0 | Startfjäder | Spring | |
| 57 | 1 | 123878102/0 | Skruv | Screw | |
| 59 | 1 | 123234006/0 | Startsnöre | Starter Cord | |
| 60 | 1 | 123300007/0 | Starthandtag | Starter Handle | |
| 65 | 1 | 183733008/0 | Bränsletank kpl | Kit Fuel Tank | |
| 66 | 1 | 183790008/0 | Tanklock | Fuel Cap Ass.Y | |
| 67 | 2 | 123650006/0 | Gummihylsa | Grommet | |
| 68 | 1 | 123867025/0 | Rör | Fuel Line | |
| 69 | 1 | 183520004/0 | Bränslefilter | Intake Filter | |
| 70 | 1 | 123867026/0 | Braänsleslang | Tube | |





| Pos. Fig. | Antal Quantity | Art No Part No | Benämning | Description | Anmärkning Notes |
|-----------|----------------|----------------|------------|-------------|------------------|
| 71 | 1 | 123671501/0 | Hylsa | Grommet | |
| 72 | 1 | 123867027/0 | Rör | Tube | |
| 73 | 2 | 123878103/0 | Skruv | Screw | |
| 74 | 2 | 123275030/0 | Gummihylsa | Grommet | |
| 75 | 1 | 123208417/0 | Stöd | Support | |
| 76 | 1 | 123878104/0 | Skruv | Screw | |





SHM 180

| Pos. Fig. | Antal Quantity | Art No Part No | Benämning | Description | Anmärkning Notes |
|-----------|----------------|----------------|---------------|---------------------|------------------|
| 1 | 1 | 123050009/0 | Kopplingshjul | Drum Ass'Y, Clutch | |
| 2 | 1 | 6990199 | Hus-övre | Upper Case | |
| 3 | 1 | 6990153 | Smörjnippel | Grease Dispenser | |
| 4 | 3 | 6990205 | Skruv | Screw | |
| 5 | 7 | 6990141 | Skruv | Screw | |
| 6 | 1 | 6990200 | Hus-nedre | Lower Case | |
| 7 | 1 | 6990202 | Packning | Gasket | |
| 8 | 2 | 6990151 | Kullager | Bearing | |
| 9 | 1 | 6990183 | Glidblock | Shoe | |
| 10 | 2 | 6990139 | Skruv | Screw | |
| 11 | 2 | 6990157 | Vevstake | Connecting Rod | |
| 12 | 1 | 6990150 | Låsring | Elastic Ring | |
| 13 | 1 | 6990186 | Kugghjul | Sprocket | |
| 14 | 1 | 6990193 | Kedjehjul | Pinion | |
| 15 | 1 | 6990151 | Kullager | Bearing | |
| 16 | 1 | 6990152 | Kullager | Bearing | |
| 21 | 1 | 6990182 | Kniv-undre | Bottom Blade | |
| 22 | 1 | 6990181 | Kniv-övre | Top Blade | |
| 23 | 1 | 6990192 | Knivskena | Blade Holder | |
| 24 | 1 | 6990198 | Knivskydd | Blade Guard | |
| 25 | 1 | 6990180 | platta | Blades Holder Plate | |
| 26 | 4 | 6990196 | Skruv | Screw | |
| 27 | 1 | 6990184 | Deflektor | Deflector | |
| 28 | 3 | 6990146 | Mutter | Nut | |
| 29 | 4 | 6990121 | Bricka | Washer | |
| 30 | 1 | 6990197 | Skruv | Screw | |
| 31 | 1 | 6990194 | Handtag-fram | Fore Handle | |
| 32 | 1 | 6990179 | Knopp | Knob | |
| 33 | 1 | 6990210 | Bricka | Washer | |
| 34 | 1 | 6990146 | Mutter | Nut | |
| 35 | 1 | 6990207 | Skruv | Screw | |
| 36 | 2 | 6990204 | Skruv | Screw | |
| 37 | 1 | 6990128 | Hållare | Retainer | |
| 38 | 1 | 6990201 | Plåt | Plate | |
| 39 | 1 | 6990146 | Mutter | Nut | |
| 40 | 2 | 6990209 | Mutter | Nut | |
| 41 | 2 | 6990206 | Skruv | Screw | |
| 42 | 2 | 6990191 | Lock | Cap | |
| 43 | 4 | 6990189 | Dämpement | Grommet | |
| 44 | 2 | 6990188 | Distans | Spacer | |
| 45 | 2 | 6990211 | Skruv | Screw | |
| 46 | 1 | 6990190 | Plåt | Handle Fixing Plate | |
| 47 | 1 | 6990203 | Rör | Handle | |
| 48 | 1 | 6990187 | Styretstöd | Handle Support | |
| 49 | 2 | 6990208 | Mutter | Nut | |
| 50 | 1 | 183300024/0 | Handtag | Hind Handle Assy | |
| 51 | 1 | 6990195 | Knivskydd | Blade Cover | |