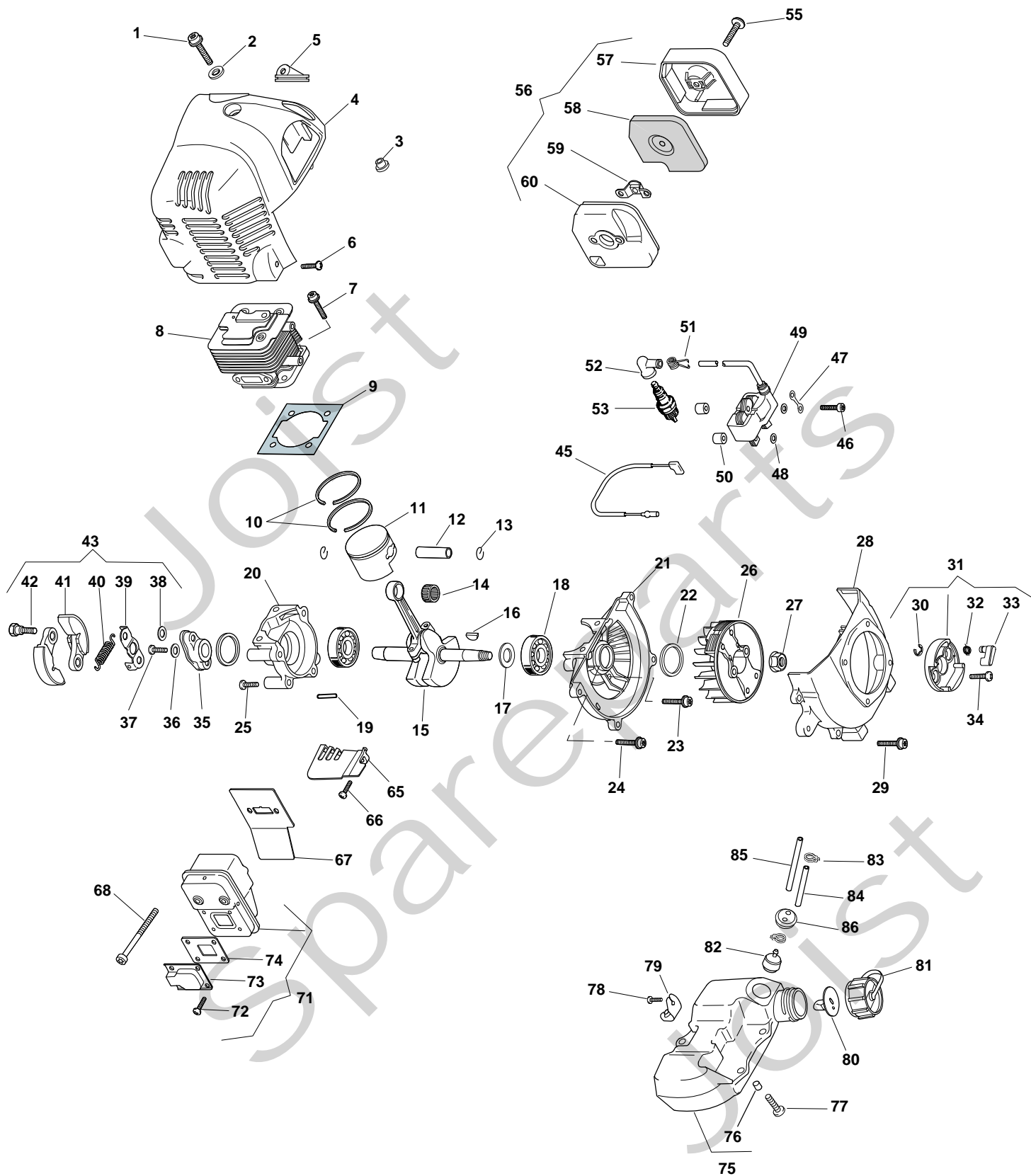


Genuine Spare Parts

SH 180 K

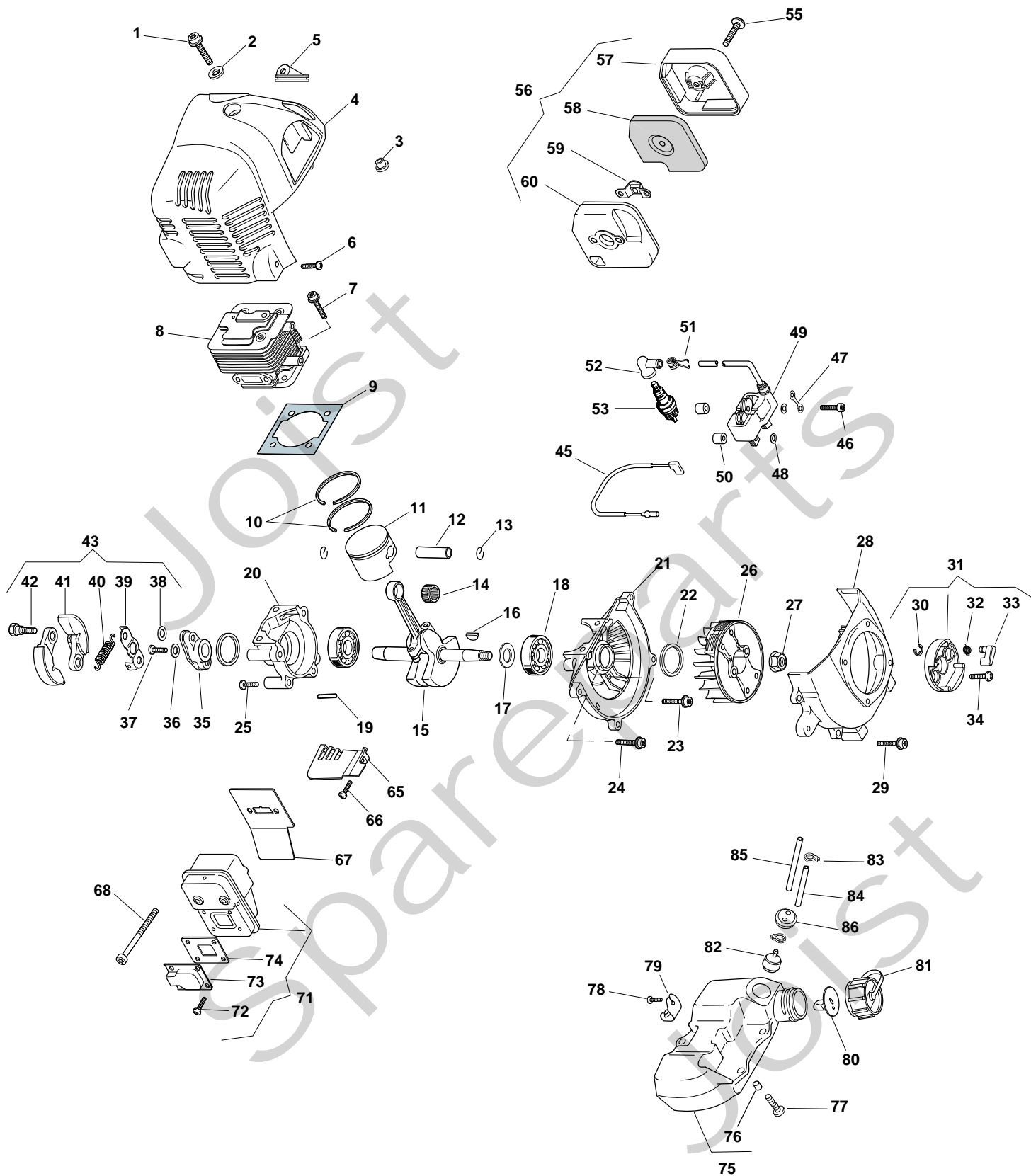






SH 180 K - Model Year 2008

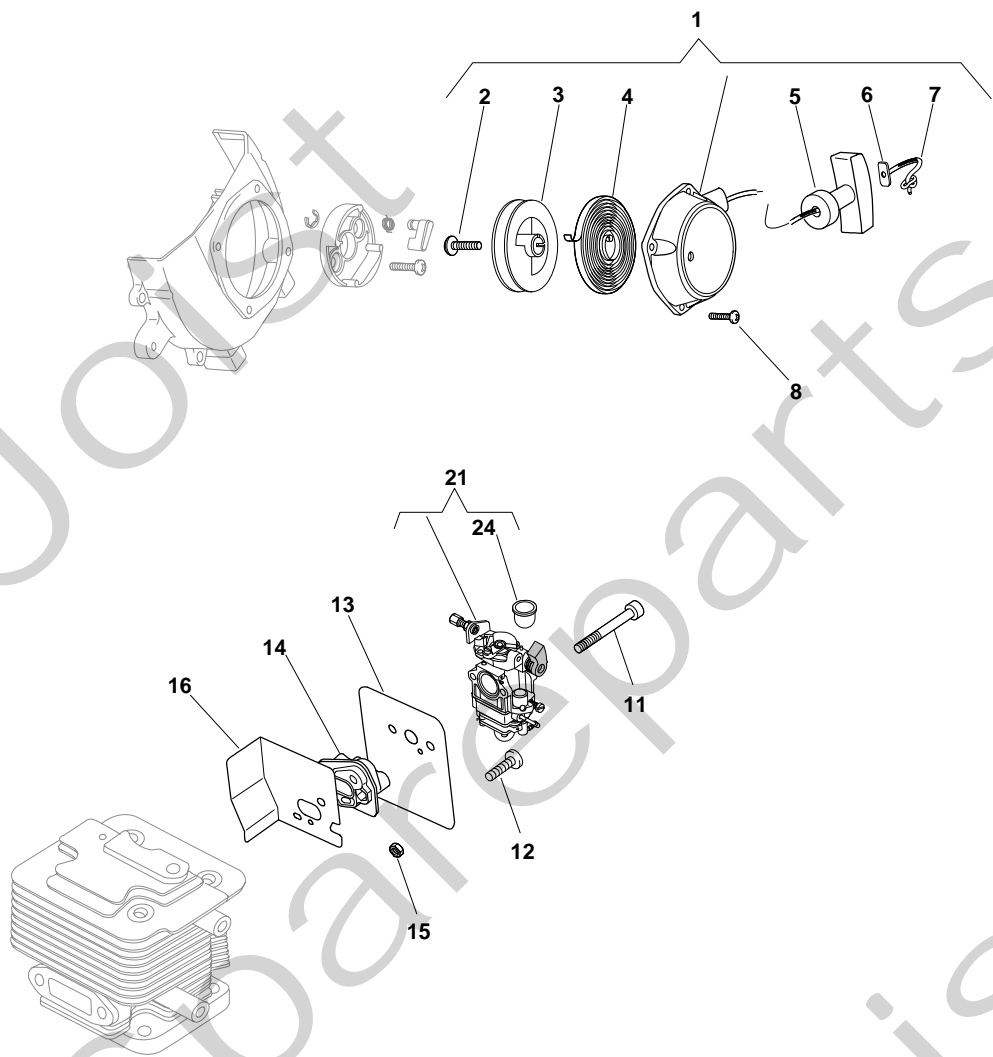
Pos. Fig.	Antal Quantity	Art No Part No	Benämning	Description	Anmärkning Notes
1	1	6990081	Skruv	Screw	
2	1	6990118	Bricka	Washer	
3	1	6990031	Bussning	Bushing	
4	1	6990058	Motorkåpa-gul	Engine Cover Yellow	HT60K
5	1	6990103	Klämma	Grommet	
6	1	6990112	Skruv	Screw	
7	4	6990070	Skruv	Screw	
8	1	6990001	Cylinder	Cylinder	
9	1	6990006	Cylinderkåpa	Cylinder Gasket	
10	1	6990015	Kolvringssats	Piston Ring Set	
11	1	6990013	Kolv	Piston	
12	1	6990014	Kolvbult	Piston Pin	
13	2	6990093	Låsring	Washer, Piston Pin	
14	1	6990016	Nållager	Needle Bearing	
15	1	6990061	Vevaxel	Crankshaft	
16	1	6990064	Kil	Flywheel Key	
17	4	6990088	Bricka	Washer T=0.20	
17	4	6990089	Bricka	Washer T=0.40	
17	4	6990090	Bricka	Washer T=0.60	
18	2	6990097	Kullager	Bearing	
19	2	6990094	Centerstift	Centring Pin	
20	1	6990022	Vevhus	Crank Case	
21	1	6990021	Vevhus	Crank Case	
22	2	6990098	Tätningring	Seal Ring	
23	1	6990073	Skruv	Screw	
24	2	6990072	Skruv	Screw	
25	4	6990043	Skruv	Screw	
26	1	6990037	Svånghjul	Flywheel Ass.Y	
27	1	6990120	Mutter	Nut	
28	1	6990065	Kåpa-gul	Case, Yellow	HT60K
28	1	6990066	Kåpa	Case, Red	XH60K/TH23
29	4	6990082	Skruv	Screw	
30	1	6990091	Låsring	Elastic Ring	
31	1	6990056	Startkopp	Starter Cup Ass.Y	
32	1	6990105	Fjäder	Spring	
33	1	6990018	Startspärr	Starter Hook	
34	2	6990044	Skruv	Screw	
35	1	6990054	Ledplåt	Clutch-Mass Guide Plate	
36	1	6990087	Bricka	Washer	
37	1	6990045	Skruv	Screw	
38	2	6990116	Bricka	Washer	
39	1	6990020	Platta	Plate	
40	1	6990107	Fjäder	Spring	
41	2	6990053	Kopplingssko	Clutch Unit	
42	2	6990095	Skruv	Screw	
43	1	6990017	Koppling kpl	Clutch Ass.Y	
45	1	6990046	Jordkabel	Earth Cable	
46	2	6990110	Skruv	Screw	
47	1	6990041	Klämma	Clamp	
48	2	6990033	Bricka	Washer	
49	1	6990042	Elektronikspole	Ignition Ass'Y	
50	2	6990032	Isolator	Isolator	
51	1	6990040	Tändstiftsfjäder	Spark Plug Spring	
52	1	6990039	Tändstiftshatt	Spark Plug Cover	
53	1	6990101	Tändstift	Spark Plug	
55	1	6990113	Skruv	Screw	
56	1	6990002	Luftfilter kpl	Air Filter Ass'Y	
57	1	6990012	Luftfilterlock	Filter Cover	
58	1	6990004	Luftfilter	Air Filter	
59	1	6990036	Platta	Steam	
60	1	6990003	Luftfilterhus	Air Cleaner Base	
65	1	6990025	Ljuddämparskydd	Muffler Shield	
66	1	6990080	Skruv	Screw	
67	1	6990008	Packning	Gasket	
68	2	6990109	Skruv	Screw	
71	1	6990055	Ljuddämpare	Muffler	
72	4	6990084	Skruv	Screw	
73	1	6990069	Deflektor	Deflector	
74	1	6990011	Packning	Gasket	
75	1	6990062	Bränsletank	Kit Fuel Tank	
76	3	6990106	Bussning	Bushing	
77	3	6990078	Skruv	Screw	
78	1	6990071	Skruv	Screw	
79	1	6990047	Fäste	Support	
80	1	6990060	Ventil	Breather Valve Assy	





SH 180 K - Model Year 2008

Pos. Fig.	Antal Quantity	Art No Part No	Benämning	Description	Anmärkning Notes
81	1	6990063	Tanklock	Cap Ass'Y, Fuel Tank	
82	1	6990051	Bränslefilter	Intake Filter	
83	2	6990111	Slangklämma	Clamp	
84	1	6990114	Bränsleslang-in	Tube	
85	1	6990115	Bränsleslang-retur	Tube	
86	1	6990102	Gummihylsa	Grommet	

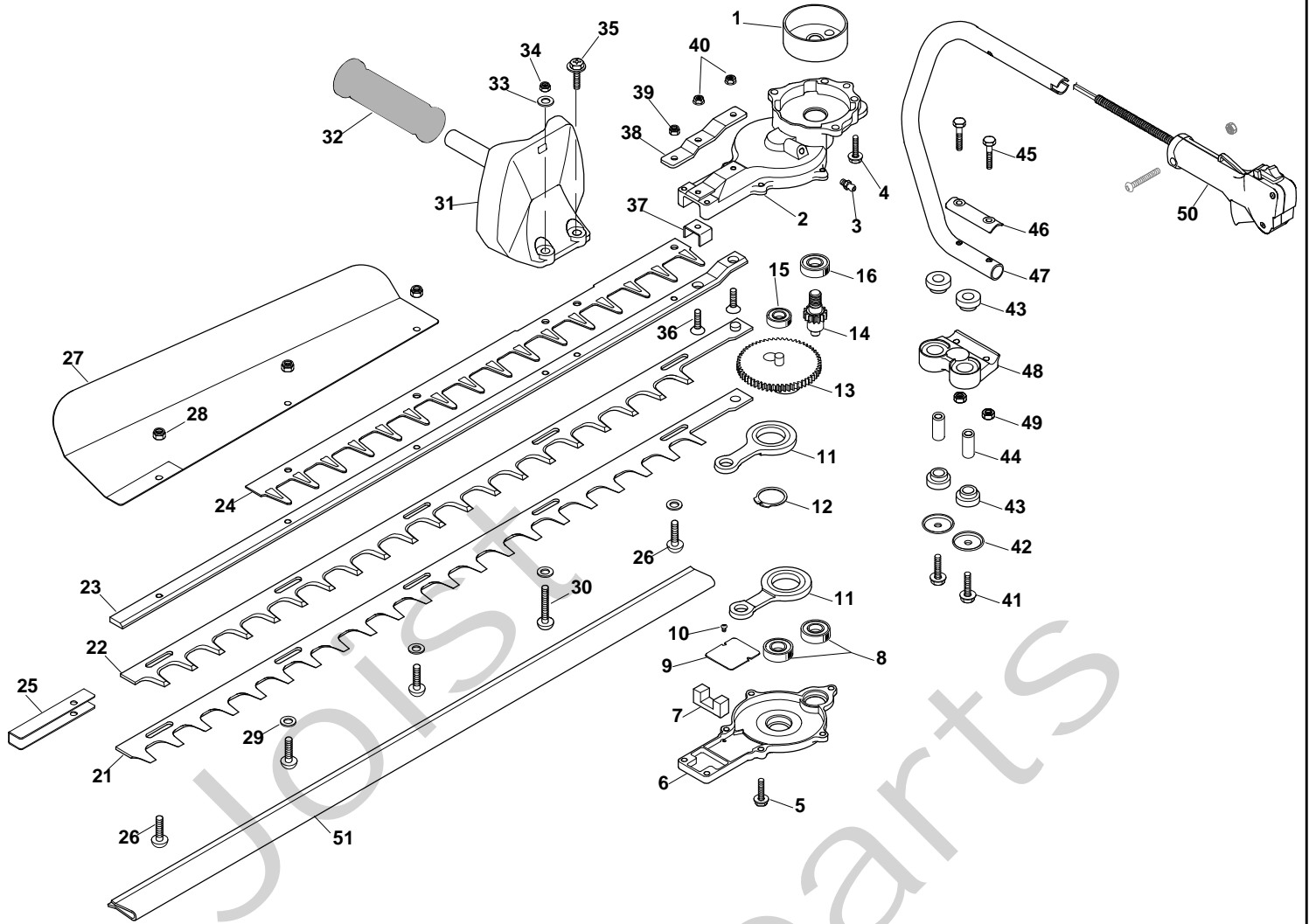




SH 180 K - Model Year 2008

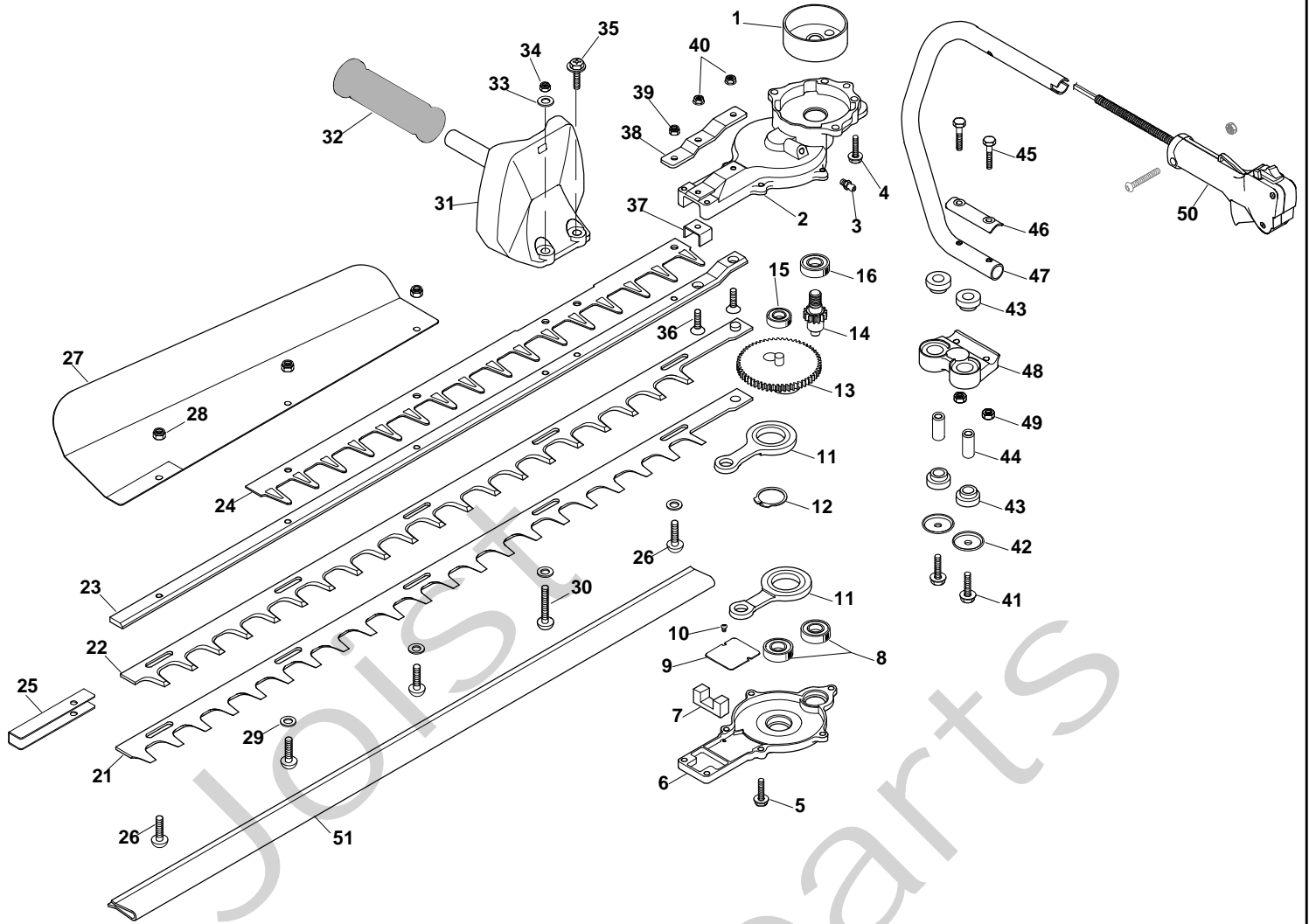
Pos. Fig.	Antal Quantity	Art No Part No	Benämning	Description	Anmärkning Notes
1	1	6990057	Start kpl	Starter Ass.Y	
2	1	6990077	Skruv	Screw	
3	1	6990067	Linhjul	Starter Pulley	
4	1	6990104	Returfjäder	Spring	
5	1	6990050	Starthandtag	Starter Handle	
6	1	6990019	Platta	Plate	
7	1	6990068	Startsnöre	Starter Cord	
8	4	6990112	Skruv	Screw	
11	2	6990083	Skruv	Screw	
12	2	6990074	Skruv	Screw	
13	1	6990010	Packning	Intake-Carb Gasket	
14	1	6990030	Insugningsrör	Intake Manifold	
15	2	6990085	Mutter	Nut	
16	1	6990009	Packning	Intake Manif-Gasket	
21	1	6990026	Förgasare	Carburettor	
24	1	6990052	Primer	Air Purge Pump	

SH 180 K - Model Year 2008



Pos. Fig.	Antal Quantity	Art No Part No	Benämning	Description	Anmärkning Notes
1	1	6990122	Kopplingshjul	Drum Ass'Y, Clutch	
2	1	6990199	Hus-övre	Upper Case	
3	1	6990153	Smörjnippel	Grease Dispenser	
4	3	6990205	Skruv	Screw	
5	7	6990141	Skruv	Screw	
6	1	6990200	Hus-nedre	Lower Case	
7	1	6990202	Packning	Gasket	
8	2	6990151	Kullager	Bearing	
9	1	6990183	Glidblock	Shoe	
10	2	6990139	Skruv	Screw	
11	2	6990157	Vevstake	Connecting Rod	
12	1	6990150	Låsring	Elastic Ring	
13	1	6990186	Kugghjul	Sprocket	
14	1	6990193	Drev	Pinion	
15	1	6990151	Kullager	Bearing	
16	1	6990152	Kullager	Bearing	
21	1	6990182	Kniv-undre	Bottom Blade	
22	1	6990181	Kniv-övre	Top Blade	
23	1	6990192	Knivskena	Blade Holder	
24	1	6990198	Knivskydd	Blade Guard	
25	1	6990180	Platta	Blades Holder Plate	
26	4	6990196	Skruv	Screw	
27	1	6990184	Deflektor	Deflector	
28	3	6990146	Mutter	Nut	
29	4	6990121	Bricka	Washer	
30	1	6990197	Skruv	Screw	
31	1	6990194	Handtag-fram	Fore Handle	
32	1	6990179	Knopp	Knob	
33	1	6990210	Bricka	Washer	
34	1	6990146	Mutter	Nut	
35	1	6990207	Skruv	Screw	

SH 180 K - Model Year 2008



Pos. Fig.	Antal Quantity	Art No Part No	Benämning	Description	Anmärkning Notes
36	2	6990204	Skruv	Screw	
37	1	6990128	Hållare	Retainer	
38	1	6990201	Platta	Plate	
39	1	6990146	Mutter	Nut	
40	2	6990209	Mutter	Nut	
41	2	6990206	Skruv	Screw	
42	2	6990191	Lock	Cap	
43	4	6990189	Dämpement	Grommet	
44	2	6990188	Distans	Spacer	
45	2	6990211	Skruv	Screw	
46	1	6990190	Handtagbygel	Handle Fixing Plate	
47	1	6990203	Handtagsrör	Handle	
48	1	6990187	Handtagsfäste	Handle Support	
49	2	6990208	Mutter	Nut	
50	1	6990212	Handtag kpl	Hind Handle Assy	
51	1	6990195	Knivskydd	Blade Cover	