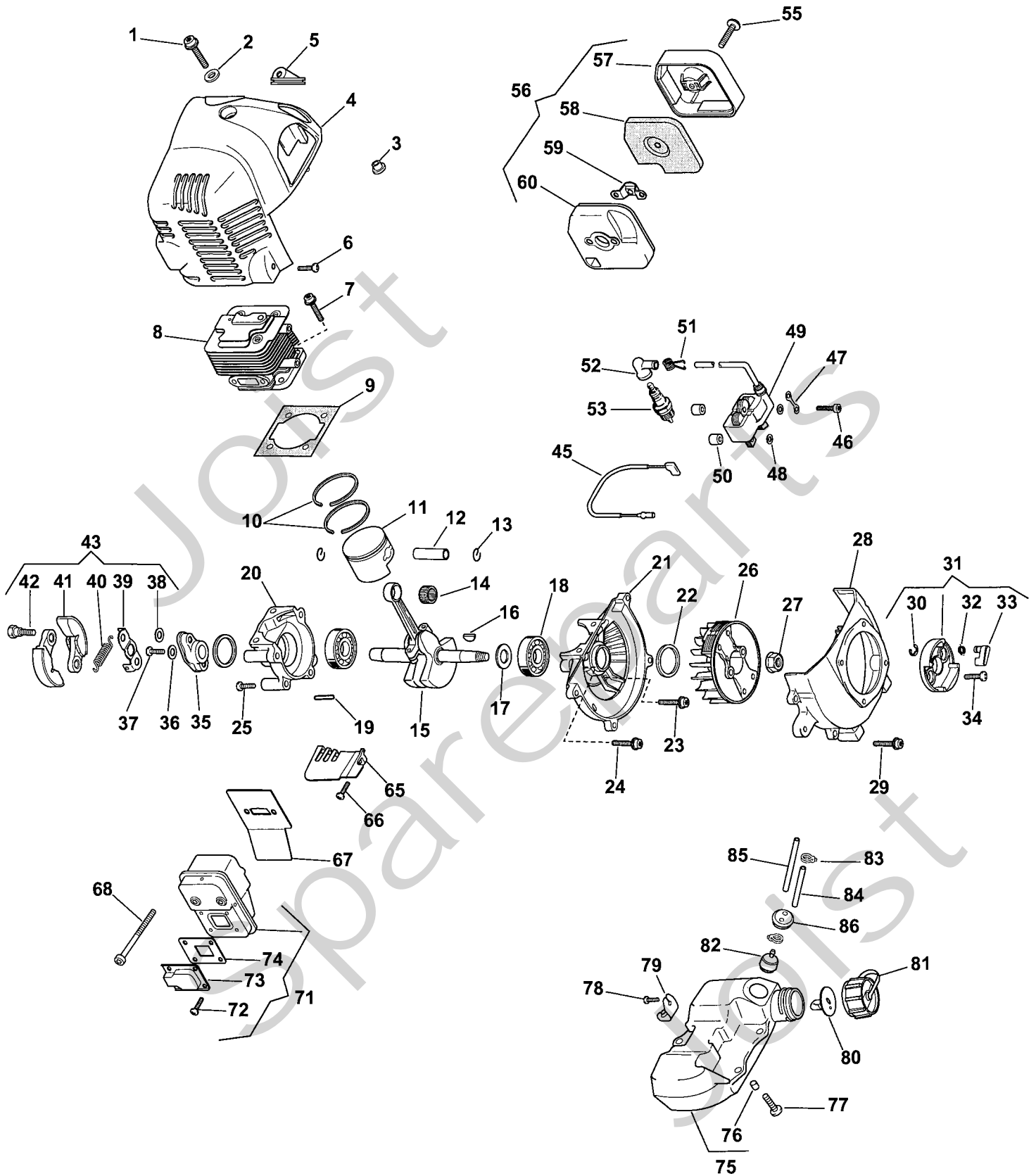


# Genuine Spare Parts

---

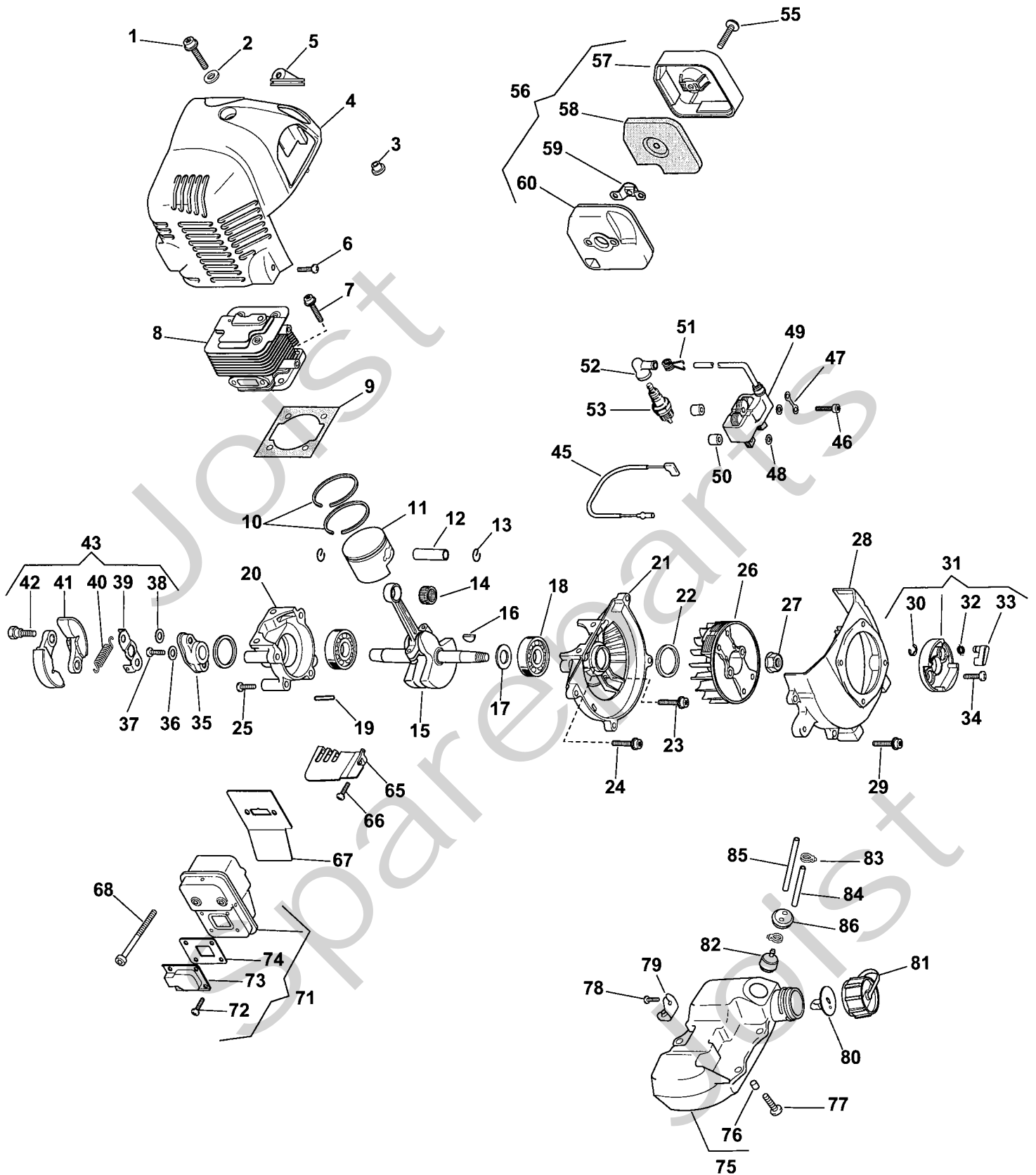


Joist  
Spareparts  
Joist

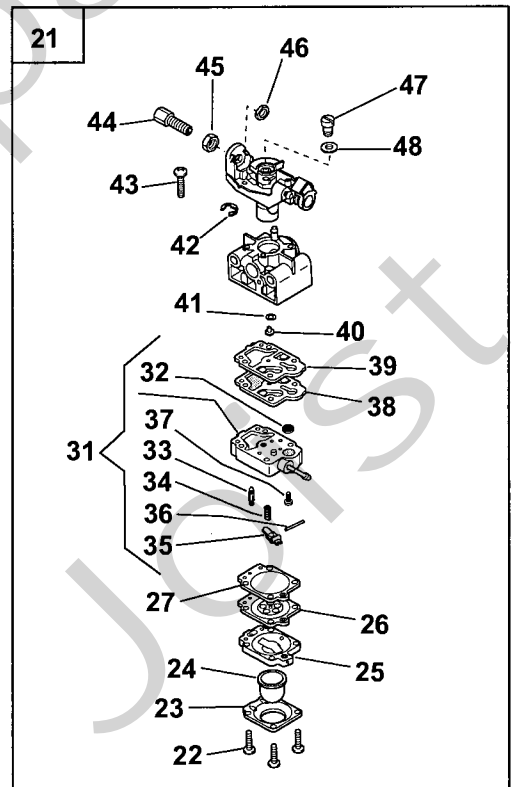
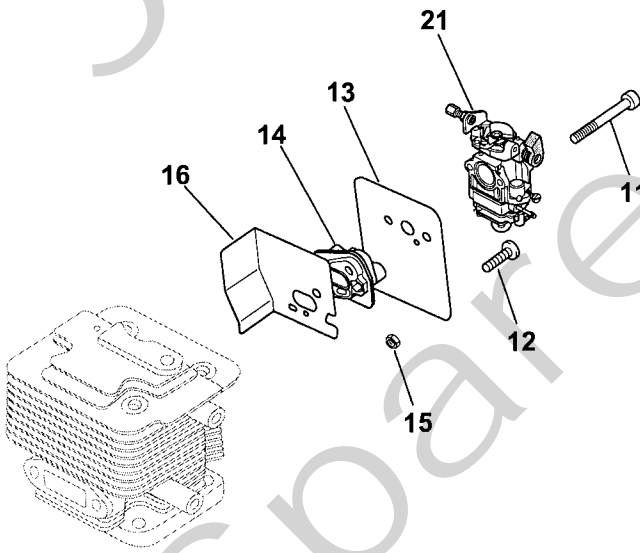
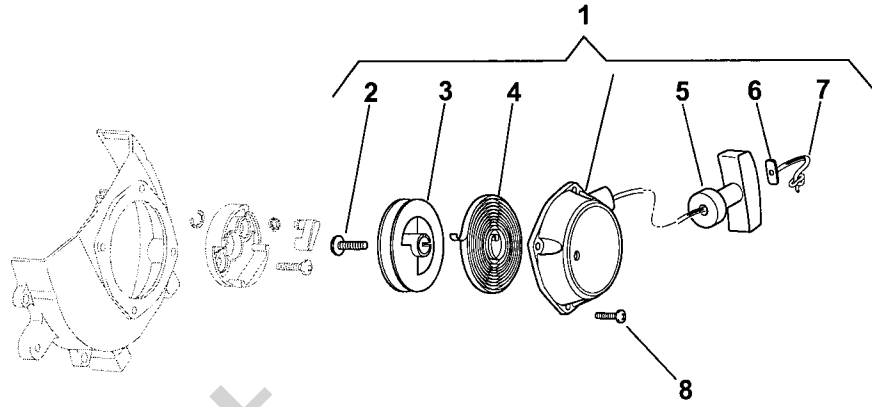


Utgåva Issue 2006-12	Bildnr Picture No 2156	SH 170K-SH 180K HÄCKSAX MOTOR	SH 170K-SH 180K HEDGE TRIMMER ENGINE	Sida Page 334
----------------------------	------------------------------	-------------------------------------	--	---------------------

Pos. Fig.	Antal/Quantity			Art nr Part No	Benämning	Description	Sats Kit	Anmärkning Notes
	5123	5124	-11					
X	1	1		6990081	Skruv .....	Screw .....		
X	2	1		6990118	Bricka .....	Washer .....		
X	3	1		6990031	Bussning .....	Bushing .....		
X	4	1		6990058	Motorkåpa- gul .....	Engine cover- yellow .....		
X	5	1		6990103	Klämma .....	Lip clamp .....		
X	6	1		6990112	Skruv .....	Screw .....		
X	7	4		6990070	Skruv .....	Screw .....		
X	8	1		6990001	Cylinder .....	Cylinder .....		
X	9	1		6990006	Packning .....	Gasket .....		
X	10	1		6990015	Kolvringssats .....	Piston ring set .....		
X	11	1		6990013	Kolv .....	Piston .....		
X	12	1		6990014	Kolvbult .....	Piston pin .....		
X	13	2		6990093	Låsring .....	Lock ring .....		
X	14	1		6990016	Nållager .....	Needle bearing .....		
X	15	1		6990061	Vevaxel .....	Crankshaft .....		
X	16	1		6990064	Kil .....	Key .....		
X	17	0-4		6990088	Bricka .....	Washer .....		T = 0.20
X	17	0-4		6990089	Bricka .....	Washer .....		T = 0.40
X	17	0-4		6990090	Bricka .....	Washer .....		T = 0.60
X	18	2		6990097	Kullager .....	Ball bearing .....		
X	19	2		6990094	Centerstift .....	Centering pin .....		
X	20	1		6990022	Vevhus .....	Crankcase .....		
X	21	1		6990021	Vevhus .....	Crankcase .....		
X	22	2		6990098	Tätningring .....	Seal ring .....		
X	23	1		6990073	Skruv .....	Screw .....		
X	24	2		6990072	Skruv .....	Screw .....		
X	25	4		6990043	Skruv .....	Screw .....		
X	26	1		6990037	Svånghjul .....	Flywheel .....		
X	27	1		6990120	Mutter .....	Nut .....		
X	28	1		6990065	Kåpa- gul .....	Case- yellow .....		
X	29	4		6990082	Skruv .....	Screw .....		
X	30	1		6990091	• Låsring .....	• Lock ring .....		
X	31	1		6990056	Startkopp .....	Starter cup .....		Inkl. pos 30 - 33
X	32	1		6990105	• Fjäder .....	• Spring .....		
X	33	1		6990018	• Startspärr .....	• Starter pawl .....		
X	34	2		6990044	Skruv .....	Screw .....		
X	35	1		6990054	Ledplåt .....	Guide plate .....		
X	36	1		6990087	Bricka .....	Washer .....		
X	37	1		6990045	Skruv .....	Screw .....		
X	38	2		6990116	• Bricka .....	• Washer .....		
X	39	1		6990020	• Platta .....	• Plate .....		
X	40	1		6990107	• Fjäder .....	• Spring .....		
X	41	2		6990053	• Kopplingssko .....	• Clutch shoe .....		
X	42	2		6990095	• Skruv .....	• Screw .....		
X	43	1		6990017	Koppling kpl .....	Clutch assy .....		Inkl. pos 38 - 42
X	45	1		6990046	Jordkabel .....	Earth cable .....		
X	46	2		6990110	Skruv .....	Screw .....		
X	47	1		6990041	Klämma .....	Clamp .....		
X	48	2		6990033	Bricka .....	Washer .....		
X	49	1		6990042	Elektronikspole .....	Electronic coil .....		
X	50	2		6990032	Isolator .....	Isolator .....		
X	51	1		6990040	Tändstiftsfjäder .....	Spark plug spring .....		
X	52	1		6990039	Tändstiftshatt .....	Spark plug cap .....		
X	53	1		6990101	Tändstift .....	Spark plug .....		
X	55	1		6990113	Skruv .....	Screw .....		
X	56	1		6990002	Luftfilter kpl .....	Air cleaner assy .....		Inkl. pos 57 - 60
X	57	1		6990012	• Luftfilterlock .....	• Air cleaner cover .....		
X	58	1		6990004	• Filterelement .....	• Filter element .....		
X	59	1		6990036	• Platta .....	• Steam .....		
X	60	1		6990003	• Luftfilterhus .....	• Air cleaner base .....		
X	65	1		6990025	Ljuddämparskydd .....	Muffler shield .....		
X	66	1		6990080	Skruv .....	Screw .....		
X	67	1		6990008	Packning .....	Gasket .....		

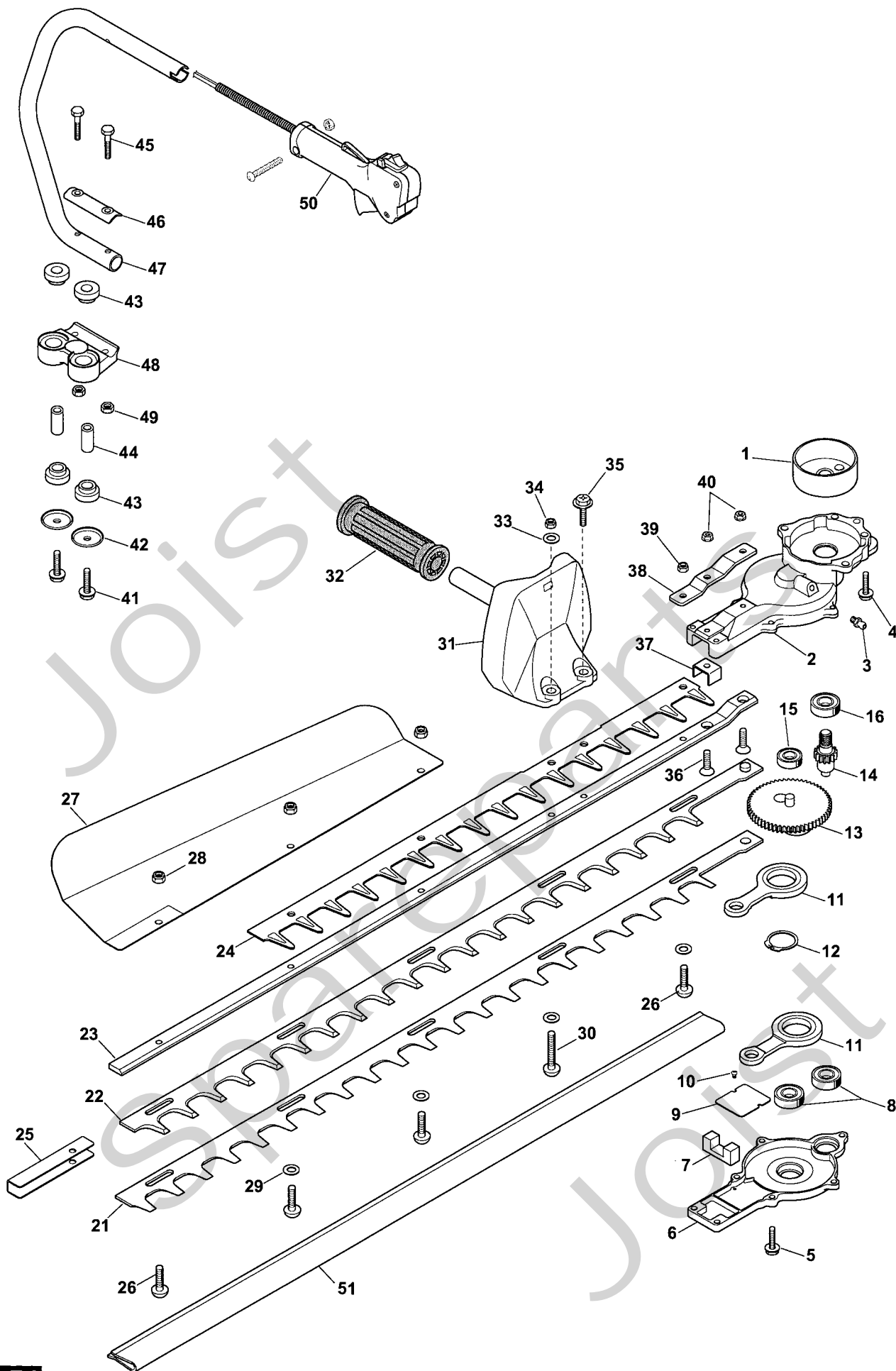


Utgåva Issue		Bildnr Picture No		SH 170K- SH 180K HÄCKSAX MOTOR		SH 170K- SH 180K HEDGE TRIMMER ENGINE		Sida Page	
2006- 12		2156						336	
Pos. Fig.	Antal/Quantity			Art nr Part No	Benämning	Description	Sats Kit	Anmärkning Notes	
	5123	5124	-11						
X 68	2			6990109	Skruv .....	Screw .....			
X 71	1			6990055	Ljuddämpare .....	Muffler .....		Inkl. pos 72 - 74	
X 72	4			6990084	• Skruv .....	• Screw .....			
X 73	1			6990069	• Deflektor .....	• Deflector .....			
X 74	1			6990011	• Packning .....	• Gasket .....			
X 75	1			6990062	Bränsletank .....	Fuel tank .....		Inkl. pos 76	
X 76	3			6990106	• Bussning .....	• Bushing .....			
X 77	3			6990078	Skruv .....	Screw .....			
X 78	1			6990071	Skruv .....	Screw .....			
X 79	1			6990047	Fäste .....	Support .....			
X 80	1			6990060	Ventil .....	Breather valve .....			
X 81	1			6990063	Tanklock .....	Fuel tank cap .....			
X 82	1			6990051	Bränslefilter .....	Intake filter .....			
X 83	2			6990111	Slangklämma .....	Hose clamp .....			
X 84	1			6990114	Bränsleslang- in .....	Fuel hose- intake .....			
X 85	1			6990115	Bränsleslang- retur .....	Fuel hose- return .....			
X 86	1			6990102	Gummihylsa .....	Rubber grommet .....			



Utgåva Issue 2006-12	Bildnr Picture No 2157	SH 170K- SH 180K HÄCKSAX FÖRGASARE	SH 170K- SH 180K HEDGE TRIMMER CARBURETTOR	Sida Page 338
----------------------------	------------------------------	--	--	---------------------

Pos. Fig.	Antal/Quantity				Art nr Part No	Benämning	Description	Sats Kit	Anmärkning Notes	
	5123 5124 -11									
X 1	1				6990057	Start kpl.....	Start assy.....		Inkl. pos 2 - 7	
X 2	1				6990077	• Skruv.....	• Screw.....			
X 3	1				6990067	• Linhjul.....	• Starter pulley.....			
X 4	1				6990104	• Returfjäder.....	• Rewind spring.....			
X 5	1				6990050	• Starthandtag.....	• Starter handle.....			
X 6	1				6990019	• Platta.....	• Plate.....			
X 7	1				6990068	• Startsnöre.....	• Starter cord.....			
X 8	4				6990112	Skruv.....	Screw.....			
X 11	2				6990083	Skruv.....	Screw.....			
X 12	2				6990074	Skruv.....	Screw.....			
X 13	1				6990010	Packning.....	Gasket.....			
X 14	1				6990030	Insugningsrör.....	Intake manifold.....			
X 15	2				6990085	Mutter.....	Nut.....			
X 16	1				6990009	Packning.....	Gasket.....			
X 21	1				6990026	Förgasare kpl.....	Carburettor assy.....	Inkl. pos 22 - 48		
X 22	4				6990076	• Skruv.....	• Screw.....			
X 23	1				6990024	• Lock.....	• Cover.....			
X 24	1				6990052	• Primer.....	• Air purge pump.....			
X 25	1				6990034	• Lock.....	• Cover.....			
X 26	1				6990049	• Membran.....	• Diaphragm.....			
X 27	1				6990005	• Packning.....	• Gasket.....			
X 31	1				6990035	• Förgasarkropp kpl.....	• Carburettor body assy.....			Inkl. pos 32 - 37
X 32	1				6990023	• Nät.....	• Screen.....			
X 33	1				6990028	• Nålventil.....	• Inlet needle.....			
X 34	1				6990108	• Fjäder.....	• Spring.....			
X 35	1				6990029	• Arm.....	• Lever.....			
X 36	1				6990096	• Axel.....	• Pin.....			
X 37	1				6990075	• Skruv.....	• Screw.....			
X 38	1				6990048	• Membran.....	• Diaphragm.....			
X 39	1				6990007	• Packning.....	• Gasket.....			
X 40	1				6990100	• Ventil.....	• Valve.....			
X 41	1				6990099	• O- ring.....	• O- ring.....			
X 42	1				6990092	• Låsring.....	• Lock ring.....			
X 43	2				6990079	• Skruv.....	• Screw.....			
X 44	1				6990027	• Justerskruv.....	• Throttle cable adjust.....			
X 45	1				6990086	• Mutter.....	• Nut.....			
X 46	1				6990119	• Mutter.....	• Nut.....			
X 47	1				6990038	• Skruv.....	• Screw.....			
X 48	1				6990117	• Bricka.....	• Washer.....			





Utgåva Issue		Bildnr Picture No		SH 180K HÄCKSAX KNIVSYSTEM		SH 180K HEDGE TRIMMER CUTTING UNIT		Sida Page	
2006-12		2155						332	
Pos. Fig.	Antal/Quantity			Art nr Part No	Benämning	Description	Sats Kit	Anmärkning Notes	
	5124 -11								
X	1	1		6990122	Kopplingshjul.....	Clutch drum .....			
X	2	1		6990199	Hus- övre .....	Case- upper .....			
X	3	1		6990153	Smörjnippel .....	Grease dispenser .....			
X	4	3		6990205	Skruv .....	Screw .....			
X	5	7		6990141	Skruv .....	Screw .....			
X	6	1		6990200	Hus- nedre .....	Case- lower .....			
X	7	1		6990202	Tätning .....	Seal .....			
X	8	2		6990151	Kullager .....	Ball bearing .....			
X	9	1		6990183	Glidblock .....	Glide shoe .....			
X	10	2		6990139	Skruv .....	Screw .....			
X	11	2		6990185	Vevstake .....	Connecting rod .....			
X	12	1		6990150	Låsring .....	Lock ring .....			
X	13	1		6990186	Kugghjul .....	Sprocket.....			
X	14	1		6990193	Drev .....	Pinion .....			
X	15	1		6990151	Kullager .....	Ball bearing .....			
X	16	1		6990152	Kullager .....	Ball bearing .....			
X	21	1		6990182	Kniv- undre .....	Blade- lower .....			
X	22	1		6990181	Kniv- övre .....	Blade- top .....			
X	23	1		6990192	Knivskena .....	Blade bar .....			
X	24	1		6990198	Knivskydd .....	Blade guard .....			
X	25	1		6990180	Platta .....	Blade holder plate .....			
X	26	4		6990196	Skruv .....	Screw .....			
X	27	1		6990184	Deflektor .....	Deflector .....			
X	28	3		6990146	Mutter .....	Nut .....			
X	29	4		6990121	Bricka .....	Washer .....			
X	30	1		6990197	Skruv .....	Screw .....			
X	31	1		6990194	Handtag- fram.....	Handle- front .....			
X	32	1		6990179	Handtagsgummi .....	Handgrip .....			
X	33	1		6990210	Bricka .....	Washer .....			
X	34	1		6990146	Mutter .....	Nut .....			
X	35	1		6990207	Skruv .....	Screw .....			
X	36	2		6990204	Skruv .....	Screw .....			
X	37	1		6990128	Hållare .....	Retainer .....			
X	38	1		6990201	Platta .....	Plate .....			
X	39	1		6990146	Mutter .....	Nut .....			
X	40	2		6990209	Mutter .....	Nut .....			
X	41	2		6990206	Skruv .....	Screw .....			
X	42	2		6990191	Lock .....	Cap .....			
X	43	4		6990189	Dämpement .....	Shock absorber .....			
X	44	2		6990188	Distans .....	Spacer .....			
X	45	2		6990211	Skruv .....	Screw .....			
X	46	1		6990190	Handtagbygel.....	Handle fixing plate .....			
X	47	1		6990203	Handtagsrör.....	Handle tube.....			
X	48	1		6990187	Handtagsfäste.....	Handle support .....			
X	49	2		6990208	Mutter .....	Nut .....			
X	50	1		6990212	Handtag kpl .....	Handgrip assy .....			
X	51	1		6990195	Knivskydd .....	Blade cover .....			