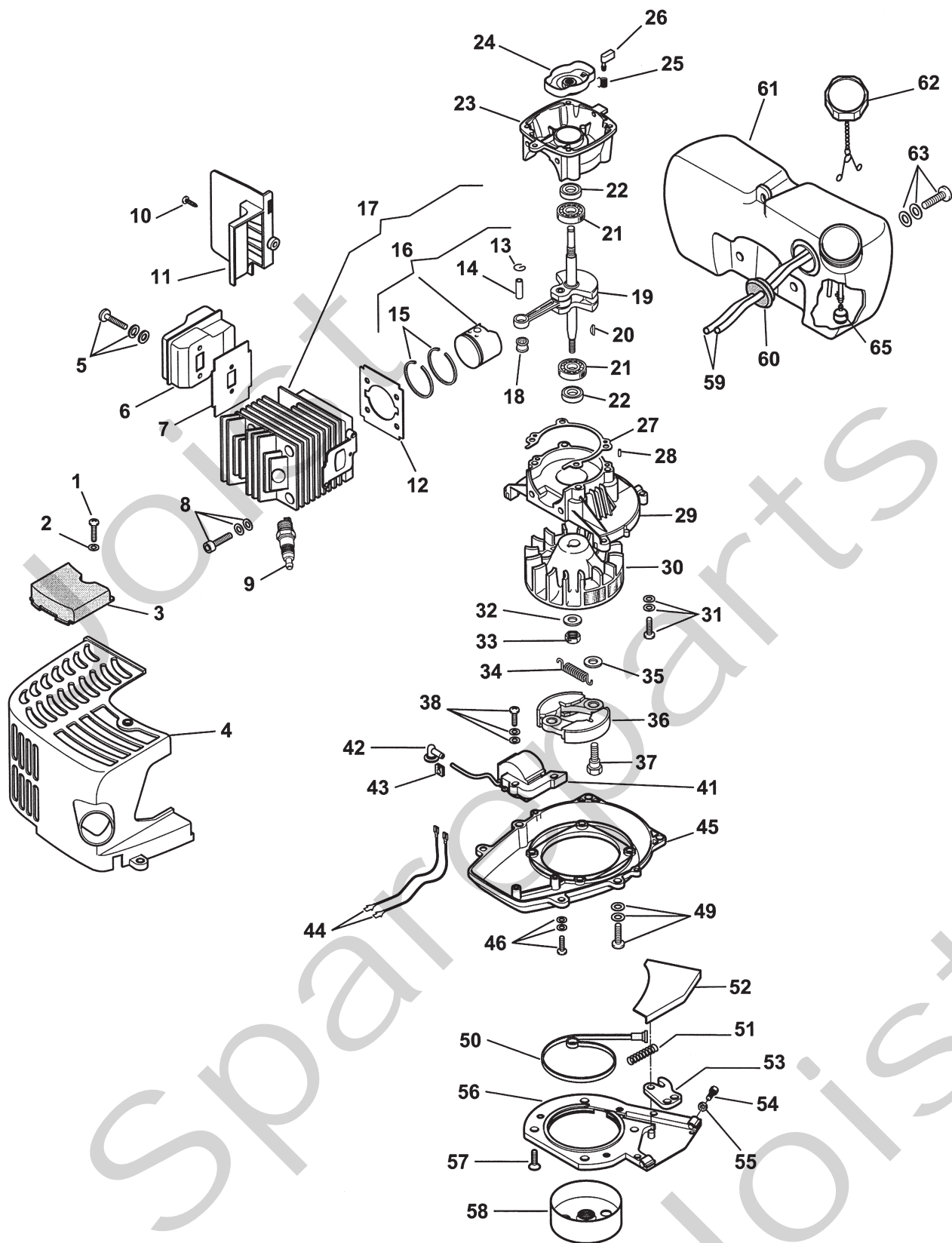


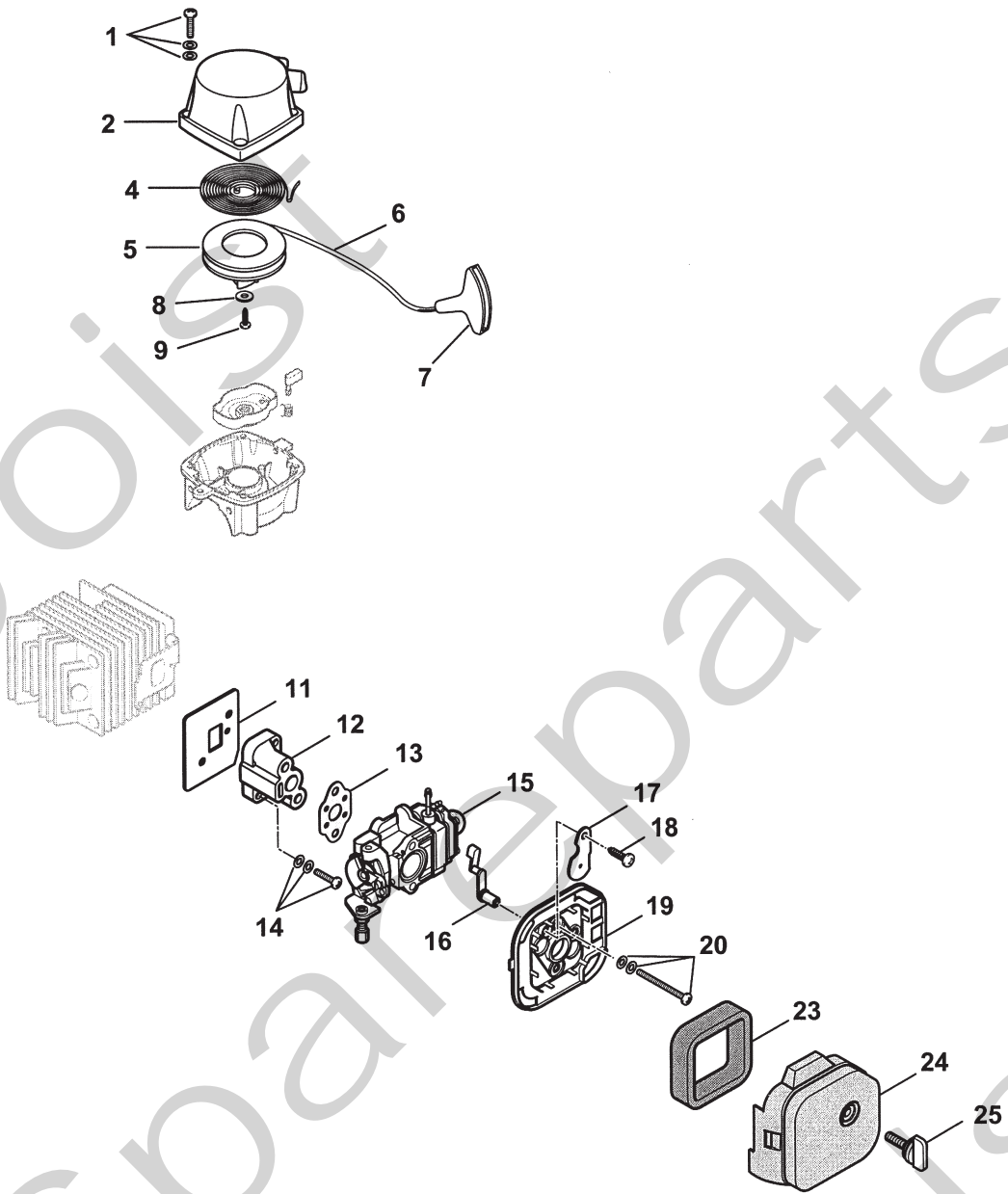
Genuine Spare Parts



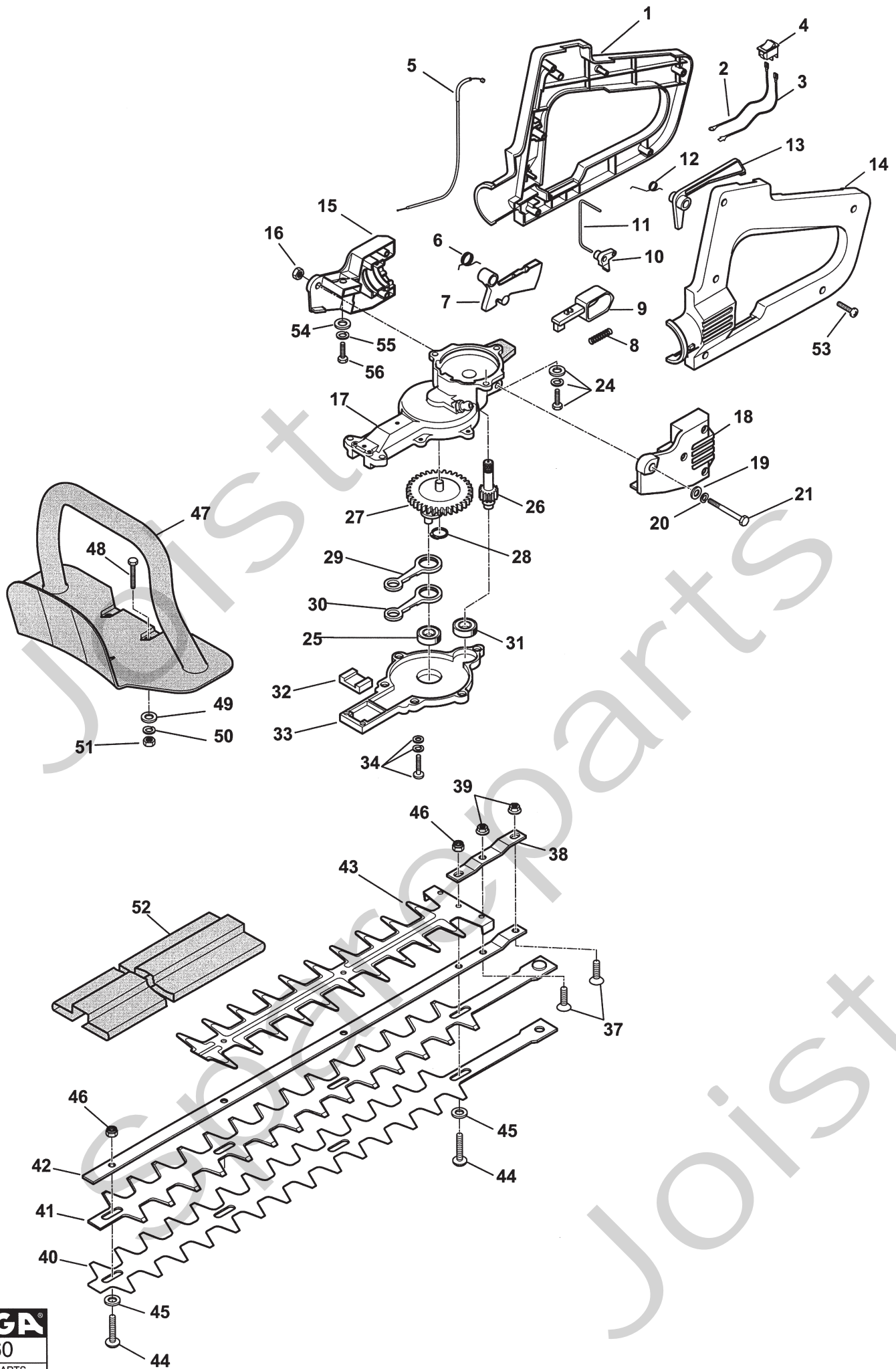
Joist
Spareparts
Joist



Utgåva Issue		Bildnr Picture No		SH 160 HT 55 HÄCKSAX MOTOR		SH 160 HT 55 HEDGE TRIMMER ENGINE		Sida Page
2005- 12		1961						314
Pos. Fig.	Antal/Quantity			Art nr Part No	Benämning	Description	Sats Kit	Anmärkning Notes
	5121	HT 55						
X	1	1	1	1911-4337-01	Skrivsats.....	Screw set		
X	2	1	1	1911-4369-01	Bricka	Washer		
X	3	1	1	1911-4373-01	Deflektor	Deflector		
X	4	1		1911-4372-01	Motorkåpa- gul	Engine cover-yellow		
X	4		1	6981159	Motorkåpa- orange	Engine cover- orange		
X	5	2	2	1911-4334-01	Skrivsats.....	Screw set		
X	6	1	1	1911-4374-01	Ljuddämpare	Muffler		
X	7	1	1	1911-4316-01	Ljuddämparskydd.....	Muffler shield		
X	8	4	4	1911-4334-01	Skrivsats.....	Screw set		
X	9	1	1	1911-4377-01	Tändstift	Spark plug.....		
X	10	1	1	1911-4361-01	Skriv	Screw		
X	11	1	1	1911-4318-01	Skydd	Guard		
X	12	1	1	1911-4279-01	Cylinderpackning	Cylinder gasket		
X	13	2	2	1911-4290-01	Låsring	Lock ring		
X	14	1	1	1911-4289-01	Kolvbult	Piston pin.....		
X	15	2	2	1911-4288-01	Kolvring	Piston ring		
X	16	1	1	1911-4287-01	Kolv	Piston.....		
X	17	1	1	1911-4278-01	Cylinder- kolv kpl	Cylinder- piston assy		
X	18	1	1	1911-4292-01	Nållager	Needle bearing		
X	19	1	1	1911-4291-01	Vevaxel	Crankshaft.....		
X	20	1	1	1911-4323-01	Kil	Key		
X	21	2	2	1911-4324-01	Kullager	Ball bearing		
X	22	2	2	1911-4283-01	Tätningring	Seal ring		
X	23	1	1	1911-4281-01	Vevhus- bakre	Crankcase- rear		
X	24	1	1	1911-4306-01	Startkopp	Starter cup		
X	25	1	1	1911-4345-01	Fjäder.....	Spring		
X	26	1	1	1911-4305-01	Startspärr	Starter hook		
X	27	1	1	1911-4282-01	Packning	Gasket		
X	28	2	2	1911-4342-01	Centrerstift.....	Centering pin		
X	29	1	1	1911-4280-01	Vevhus- främre	Crankcase- front		
X	30	1	1	1911-4277-01	Svänghjul.....	Flywheel		
X	31	4	4	1911-4328-01	Skrivsats.....	Screw set		
X	32	1	1	1911-4343-01	Bricka	Washer.....		
X	33	1	1	1911-4358-01	Mutter.....	Nut		
X	34	1	1	1911-4309-01	Fjäder.....	Spring		
X	35	2	2	1911-4308-01	Bricka	Washer.....		
X	36	2	2	1911-4307-01	Koppling	Clutch unit.....		
X	37	2	2	1911-4310-01	Skriv	Screw		
X	38	2	2	1911-4337-01	Skrivsats.....	Screw set		
X	41	1	1	1911-4418-01	Elektronikspole	Electronic coil		
X	42	1	1	1911-4298-01	Tändstiftshatt.....	Spark plug cover		
X	43	1	1	1911-4348-01	Kabelhållare	Cable retainer		
X	44	2	2	1911-4297-01	Kabel	Switch wire		
X	45	1	1	1911-4419-01	Stöd.....	Support		
X	46	2	2	1911-4337-01	Skrivsats.....	Screw set		
X	49	4	4	1911-4339-01	Skrivsats.....	Screw set		
X	50	1	1	1911-4417-01	Bromsband	Brake band		
X	51	1	1	1911-4416-01	Fjäder.....	Spring		
X	52	1	1	1911-4412-01	Lock.....	Cover		
X	53	1	1	1911-4415-01	Arm	Lever		
X	54	1	1	1911-4414-01	Skriv	Screw		
X	55	1	1	1911-4413-01	Mutter.....	Nut		
X	56	1	1	1911-4411-01	Fläns	Flange		
X	57	4	4	1911-4359-01	Skriv	Screw		
X	58	1	1	1911-4378-01	Kopplingstrumma.....	Clutch drum		
X	59	2	2	1911-4313-01	Bränsleslang	Fuel hose		
X	60	1	1	1911-4314-01	Gummihylsa	Grommet.....		
X	61	1	1	1911-4311-01	Bränsletank kpl.....	Fuel tank assy		
X	62	1	1	1911-4312-01	Tanklock	Tank cap		
X	63	3	3	1911-4327-01	Skrivsats.....	Screw set		
X	65	1	1	1911-4255-01	Bensinfilter	Intake filter		



Utgåva Issue 2005-12		Bildnr Picture No 1962		SH 160 HT 55 HÄCKSAX FÖRGASARE		SH 160 HT 55 HEDGE TRIMMER CARBURETTOR		Sida Page 316	
Pos. Fig.	Antal/Quantity			Art nr Part No	Benämning	Description	Sats Kit	Anmärkning Notes	
	5121	HT 55							
X 1	4	4		1911-4337-01	Skruvsats.....	Screw set.....			
X 2	1	1		1911-4375-01	Starthus.....	Starter recoil case.....			
X 4	1	1		1911-4300-01	Returfjäder.....	Rewind spring.....			
X 5	1	1		1911-4301-01	Linhjul.....	Starter pulley.....			
X 6	1	1		1911-4376-01	Startsnöre.....	Starter cord.....			
X 7	1	1		1911-4302-01	Starthandtag.....	Starter handle.....			
X 8	1	1		1911-4353-01	Bricka.....	Washer.....			
X 9	1	1		1911-4360-01	Skruv.....	Screw.....			
X 11	1	1		1911-4286-01	Packning.....	Gasket.....			
X 12	1	1		1911-4285-01	Insugningsrör.....	Intake manifold.....			
X 13	1	1		1911-4293-01	Packning-membransats.....	Gasket-diaphragm kit.....			
X 14	2	2		1911-4333-01	Skruvsats.....	Screw set.....			
X 15	1	1		1911-4123-01	Förgasare kpl.....	Carburettor assy.....		WYJ397	
X 16	1	1		1911-4352-01	Chokearm.....	Choke lever.....			
X 17	1	1		1911-4351-01	Chokespjäll.....	Choke valve.....			
X 18	1	1		1911-4350-01	Skruv.....	Screw.....			
X 19	1	1		1911-4346-01	Luftfilterhus.....	Filter housing.....			
X 20	2	2		1911-4329-01	Skruvsats.....	Screw set.....			
X 23	1	1		1911-4295-01	Luftfilter.....	Air filter.....			
X 24	1	1		1911-4349-01	Filterlock.....	Filer cover.....			
X 25	1	1		1911-4347-01	Skruv.....	Screw.....			



STIGA
1960
SPARE PARTS

Utgåva Issue 2005-12		Bildnr Picture No 1960		SH 160 HT 55 HÄCKSAX CHASSI		SH 160 HT 55 HEDGE TRIMMER CHASSIS		Sida Page 312	
Pos. Fig.	Antal/Quantity			Art nr Part No	Benämning	Description	Sats Kit	Anmärkning Notes	
	5121	HT 55							
X	1	1	1	1911-4407-01	Handtag- hö	Handgrip- RH			
X	2	1	1	1911-4406-01	Jordkabel.....	Ground cable.....			
X	3	1	1	1911-4405-01	Kabel	Coil- switch cable			
X	4	1	1	1911-4408-01	Stoppkontakt	Stop switch			
X	5	1	1	1911-4402-01	Kabel	Wire			
X	6	1	1	1911-4400-01	Fjäder.....	Spring			
X	7	1	1	1911-4401-01	Gasreglage.....	Throttle lever.....			
X	8	1	1	1911-4396-01	Fjäder.....	Spring.....			
X	9	1	1	1911-4397-01	Inställningsspak.....	Adjusting knob.....			
X	10	1	1	1911-4399-01	Spärr	Hook			
X	11	1	1	1911-4398-01	Gasreglagelänk	Throttle rod			
X	12	1	1	1911-4403-01	Fjäder.....	Spring			
X	13	1	1	1911-4404-01	Säkerhetsspärr	Safety lever			
X	14	1	1	1911-4409-01	Handtag- vä	Handgrip- LH.....			
X	15	1	1	1911-4394-01	Stöd- hö.....	Support- RH.....			
X	16	1	1	1911-4357-01	Mutter.....	Nut			
X	17	1	1	1911-4379-01	Hus	Case			
X	18	1	1	1911-4395-01	Stöd- vä	Support- LH			
X	19	1	1	1911-4370-01	Bricka	Washer.....			
X	20	1	1	1911-4367-01	Bricka	Washer.....			
X	21	1	1	1911-4363-01	Skruv	Screw			
X	22	3	3	1911-4371-01	Bricka	Washer.....			
X	23	3	3	1911-4368-01	Bricka	Washer.....			
X	24	3	3	1911-4355-01	Skruv	Screw			
X	25	1	1	1911-4354-01	Kullager	Ball bearing			
X	26	1	1	1911-4389-01	Drev	Pinion.....			
X	27	1	1	1911-4390-01	Kuggjul	Sprocket.....			
X	28	1	1	1911-4366-01	Ring.....	Ring			
X	29	1	1	1911-4391-01	Vevstake	Connecting rod			
X	30	1	1	1911-4392-01	Vevstake	Connecting rod			
X	31	1	1	1911-4324-01	Kullager	Ball bearing			
X	32	1	1	1911-4383-01	Glidblock	Glide shoe.....			
X	33	1	1	1911-4393-01	Hus	Case			
X	34	6	6	1911-4338-01	Skruv	Screw			
X	37	2	2	1911-4339-01	Skruvsats.....	Screw set			
X	38	1	1	1911-4380-01	Fäste	Plate			
X	39	2	2	1911-4356-01	Mutter.....	Nut			
X	40	1	1	1911-4385-01	Kniv- undre	Blade- bottom.....			
X	41	1	1	1911-4384-01	Kniv- övre	Blade- top.....			
X	42	1	1	1911-4382-01	Knivhållare.....	Blade holder			
X	43	1	1	1911-4381-01	Knivskydd.....	Blade guard			
X	44	4	4	1911-4387-01	Skruv	Screw			
X	45	4	4	1911-4386-01	Bricka	Washer.....			
X	46	4	4	1911-4357-01	Mutter.....	Nut			
X	47	1	1	1911-4410-01	Handtag- främre.....	Handle- front			
X	48	2	2	1911-4365-01	Skruv	Screw			
X	49	2	2	1911-4370-01	Bricka	Washer.....			
X	50	2	2	1911-4367-01	Bricka	Washer.....			
X	51	2	2	1911-4357-01	Mutter.....	Nut			
X	52	1	1	1911-4388-01	Knivskydd.....	Blade cover			
X	53	5	5	1911-4364-01	Skruv	Screw			
X	54	1	1	1911-4370-01	Bricka	Washer.....			
X	55	1	1	1911-4367-01	Bricka	Washer.....			
X	56	1	1	1911-4362-01	Skruv	Screw			