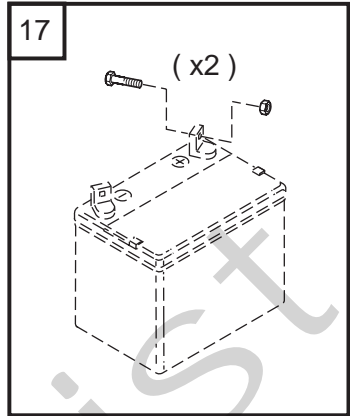
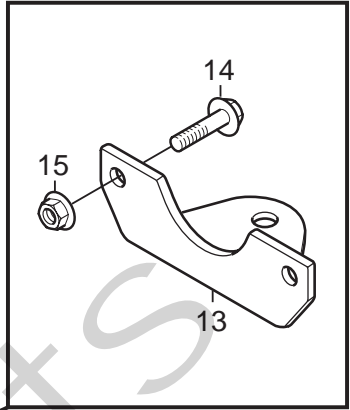
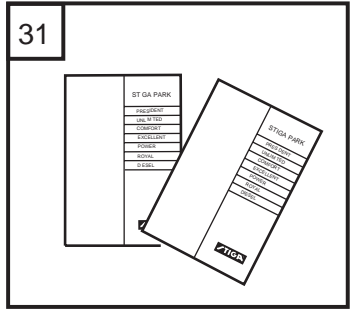
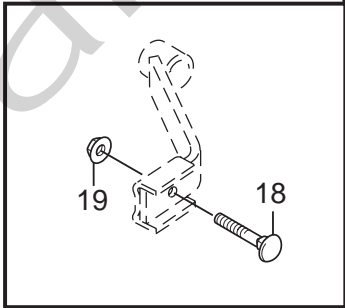
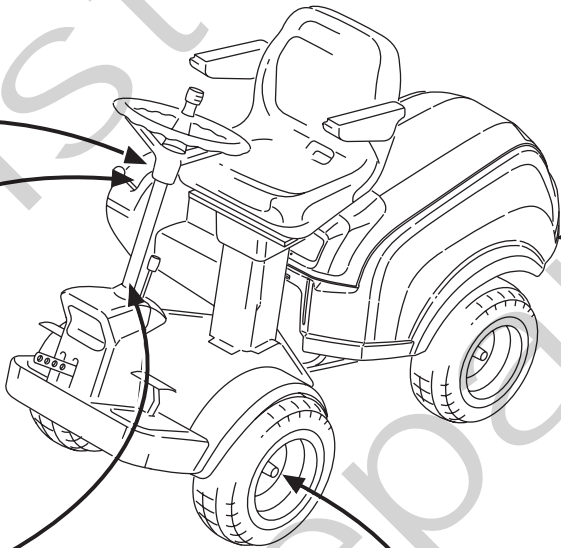
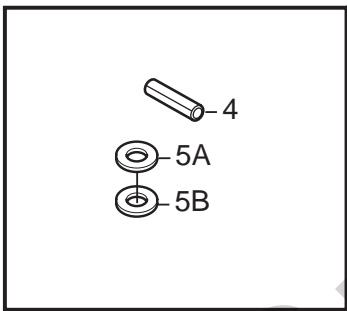
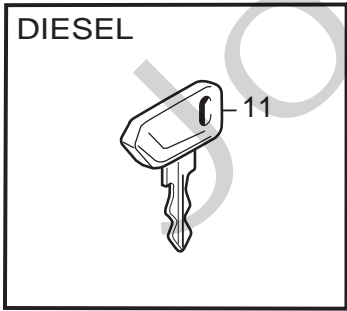
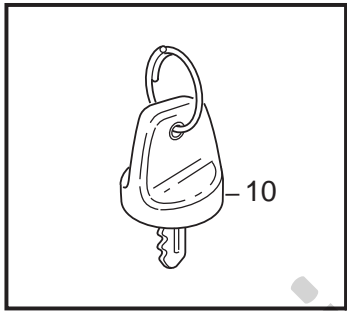


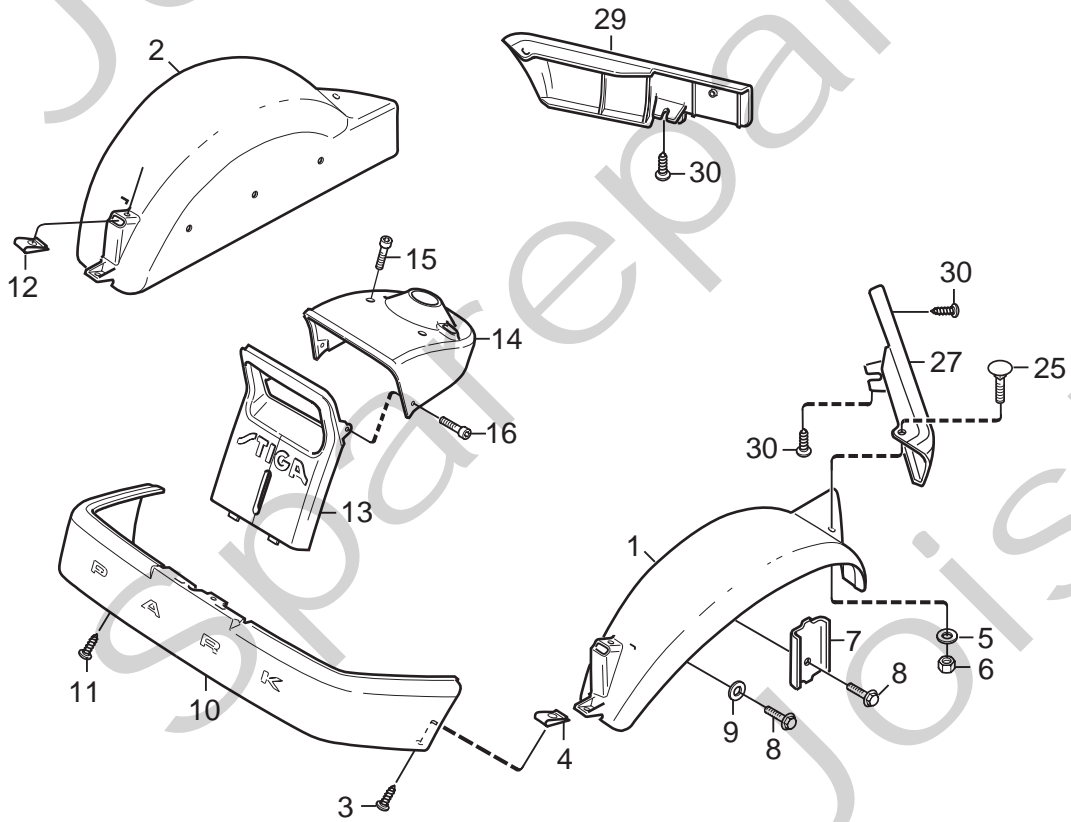
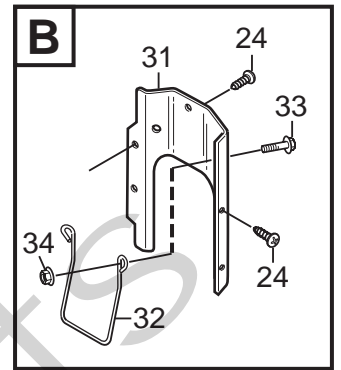
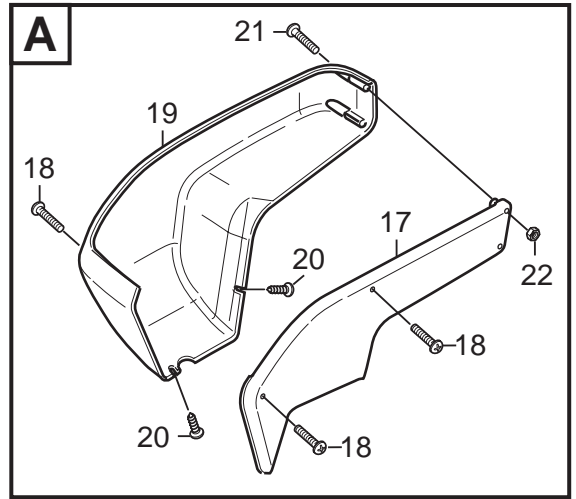
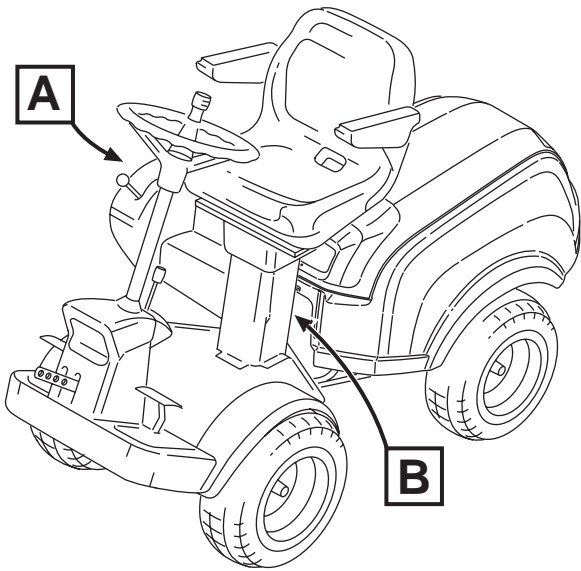
Genuine Spare Parts



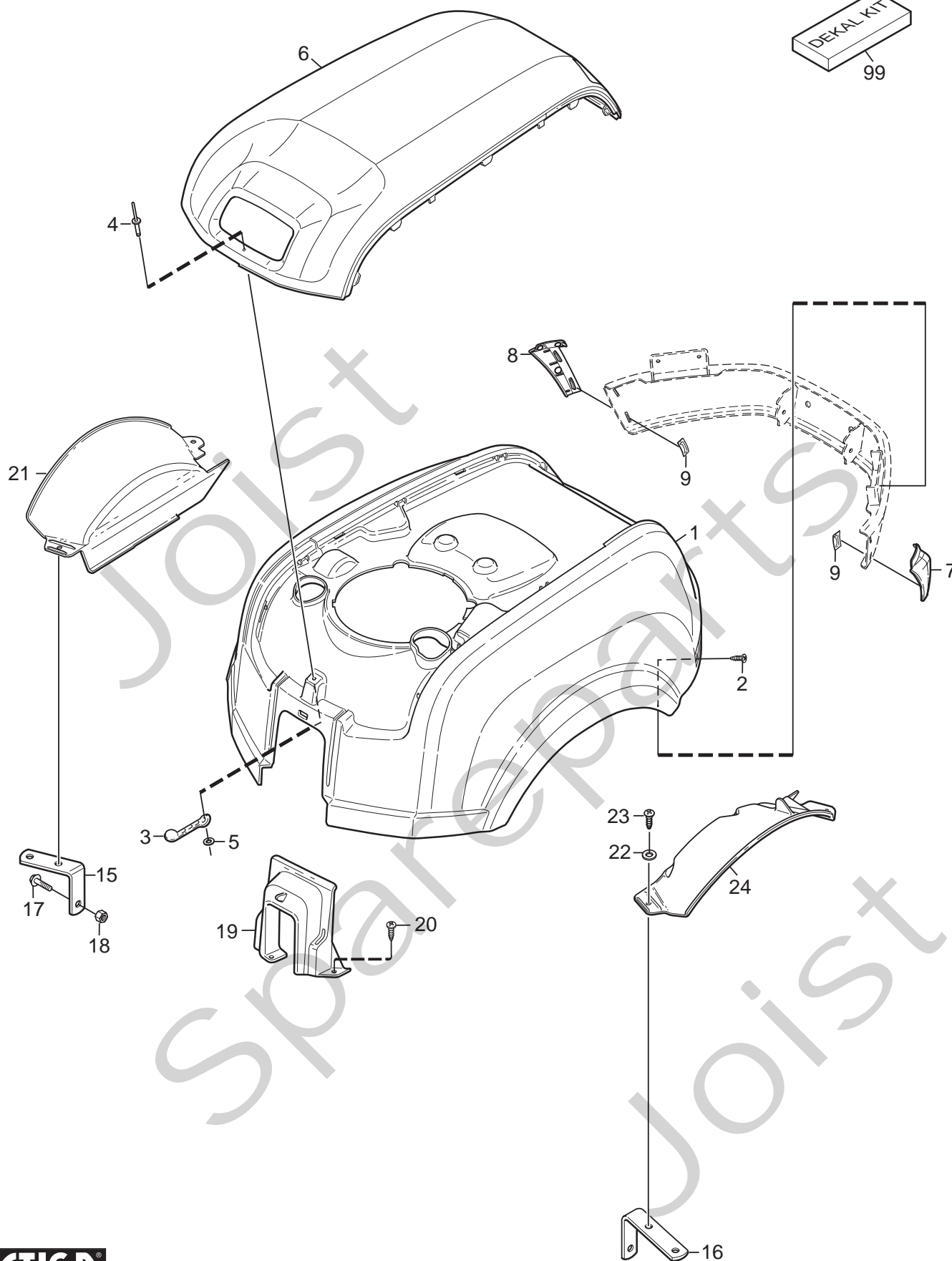
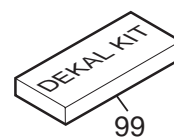
Joist
Spareparts
Joist



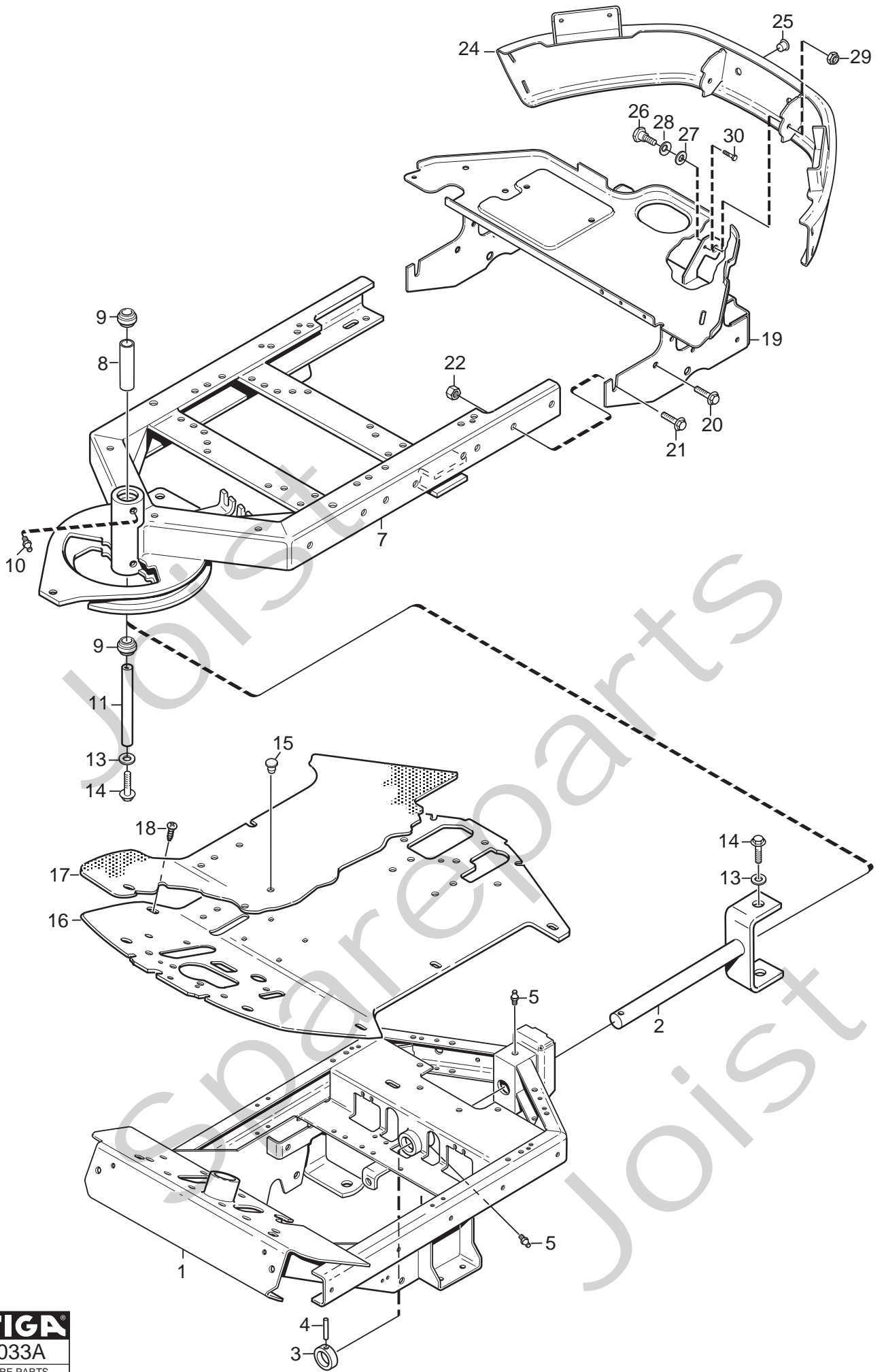
Utgåva Issue		Bildnr Picture No		PARK 4WD MONTERINGSDETALJER		PARK 4WD ASSEMBLY PARTS		Sida Page	
2008- 11		2014A						102	
Pos. Fig.	Antal/Quantity				Art nr Part No	Benämning	Description	Sats Kit	Anmärkning Notes
	6185	6181							
4	1	1			9595-0262-00	Spännstift	Locating pin		
5A	1	1			9699-0103-02	Shims	Flat washer		0.5 mm
5B	1	1			9699-0114-02	Shims	Flat washer		1.0 mm
10	2				1134-4734-01	Tändningsnyckel.....	Ignition key		
11		2			1134-4909-01	Tändningsnyckel.....	Ignition key		
13	1	1			1134-5512-01	Dragplåt.....	Towing plate.....		
14	2	2			9959-0820-16	Skruv.....	Screw.....		
15	2	2			9739-0831-22	Mutter.....	Nut.....		
17	1	1			1134-6113-02	Batteriskruvar	Battery screws		
18	2	2			9898-1035-16	Skruv.....	Screw.....		
19	2	2			9739-1031-22	Mutter.....	Nut.....		
X	31	1			8211-0003-80	Bruksanvisning.....	Owner's manual		
X	31	1			8211-0004-80	Bruksanvisning.....	Owner's manual		
X	31		1		8211-0007-80	Bruksanvisning.....	Owner's manual		
X	31		1		8211-0008-80	Bruksanvisning.....	Owner's manual		
X	31	1	1		8211-0604-80	Monteringsanvisning.....	Assy instructions		
X	31	1	1		8211-0701-80	Säkerhetsföreskrifter	Safety regulations		
X	31	1			8211-0901-80	Servicebok.....	Service book		
X	31		1		8211-0902-80	Servicebok.....	Service book		
X	31	1	1		8211-0950-80	Garantikort.....	Warranty card		



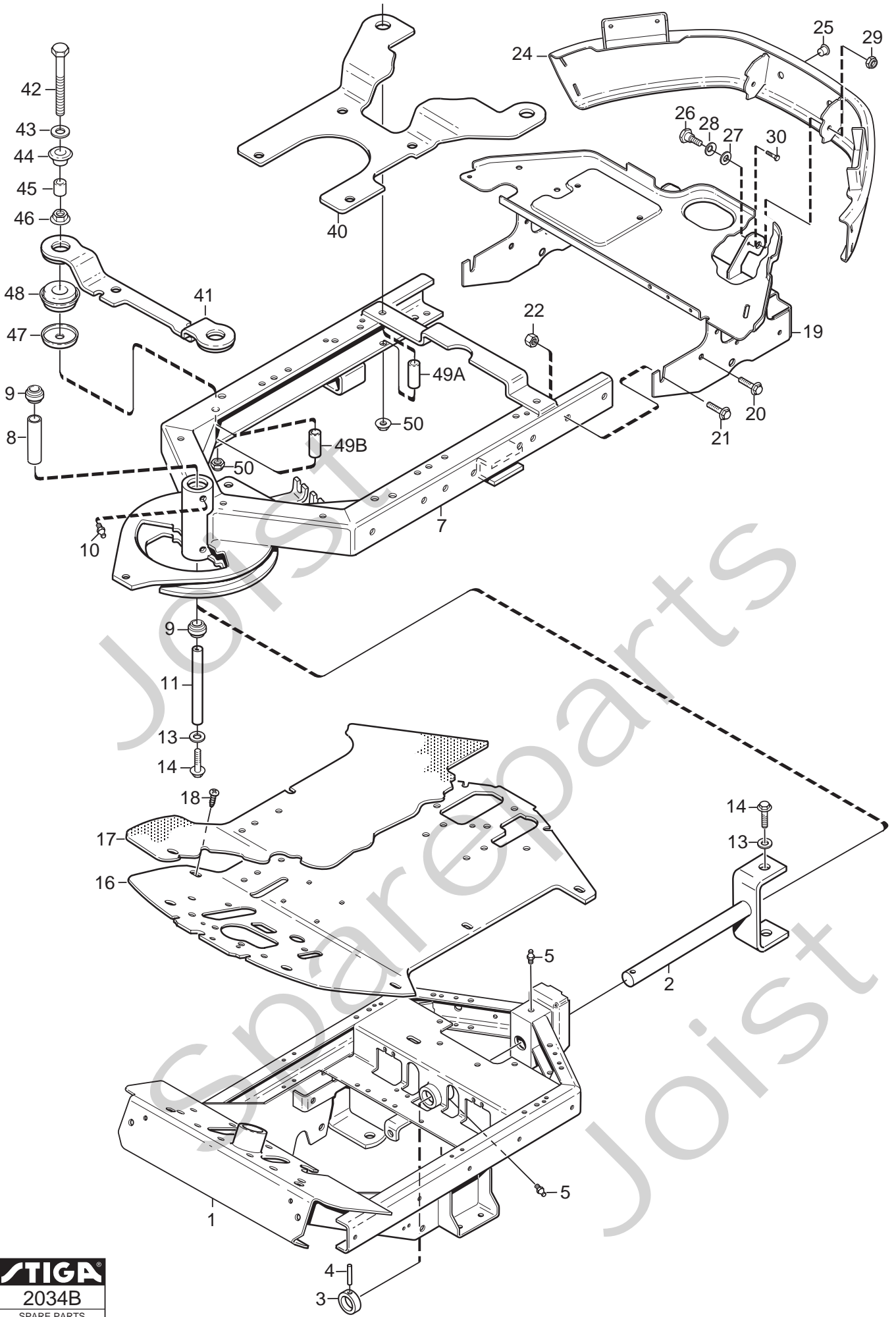
Utgåva Issue		Bildnr Picture No		PARK 4WD KAROSS-FRAM		PARK 4WD BODY WORK-FRONT		Sida Page	
2008- 11		2015C						104	
Pos. Fig.	Antal/Quantity				Art nr Part No	Benämning	Description	Sats Kit	Anmärkning Notes
	6181 6185								
1	1				1134-3943-01	Skärm- vä, gul	Mud guard- LH, yell.....		
2	1				1134-3943-02	Skärm- hö, gul	Mud guard- RH, yell.		
3	2				9893-0616-16	Skruv	Screw		
4	4				1134-4176-01	Clips	Clips		
5	2				9699-0060-02	Planbricka.....	Flat washer.....		
6	2				9747-0631-02	Låsmutter	Lock nut		
7	2				1134-0225-00	Stödplåt	Support plate		
8	6				9945-0816-16	Skruv	Screw		
9	4				9699-0056-02	Planbricka.....	Flat washer.....		
10	1				1134-4220-02	Stötfångare- grå.....	Bumper- grey		
11	6				9893-0616-16	Skruv	Screw		
12	2				1134-4176-01	Clips	Clips		
13	1				1134-4216-05	Frontdekor- gul	Front plate- yellow.....		
14	1				1134-3984-03	Frontdekor övre- gul	Front plate upper- yel		
15	2				9946-0525-16	Skruv	Screw		
16	2				9840-8019-16	Skruv	Screw		
17	1				1134-4360-01	Kåpa- inre	Cover- inner		
18	3				9946-0525-16	Skruv	Screw		
19	1				1134-3979-01	Kåpa- yttre	Cover- outer		
20	2				9840-8019-16	Skruv	Screw		
21	2				9950-0570-12	Skruv	Screw		
22	2				9747-0531-02	Mutter	Nut		
24	4				9893-0616-16	Skruv	Screw		
25	2				9897-0616-16	Vagnsbult	Carriage bolt		
27	1				1134-3970-05	Kantlist- vä, grå.....	Moulding- LH, grey		
29	1				1134-3970-02	Kantlist- hö, grå	Moulding- RH, grey		
30	4				9893-0616-16	Skruv	Screw		
31	1				1134-6461-01	Bakstycke	Rear plate.....		
32	1				1134-6460-01	Skyddsbygel.....	Protective loop.....		
33	2				9959-0820-16	Skruv	Screw		
34	2				9739-0831-22	Mutter.....	Nut		



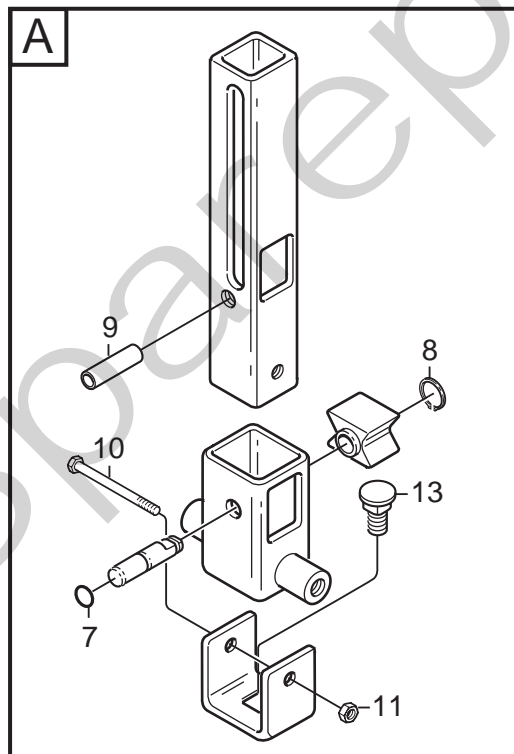
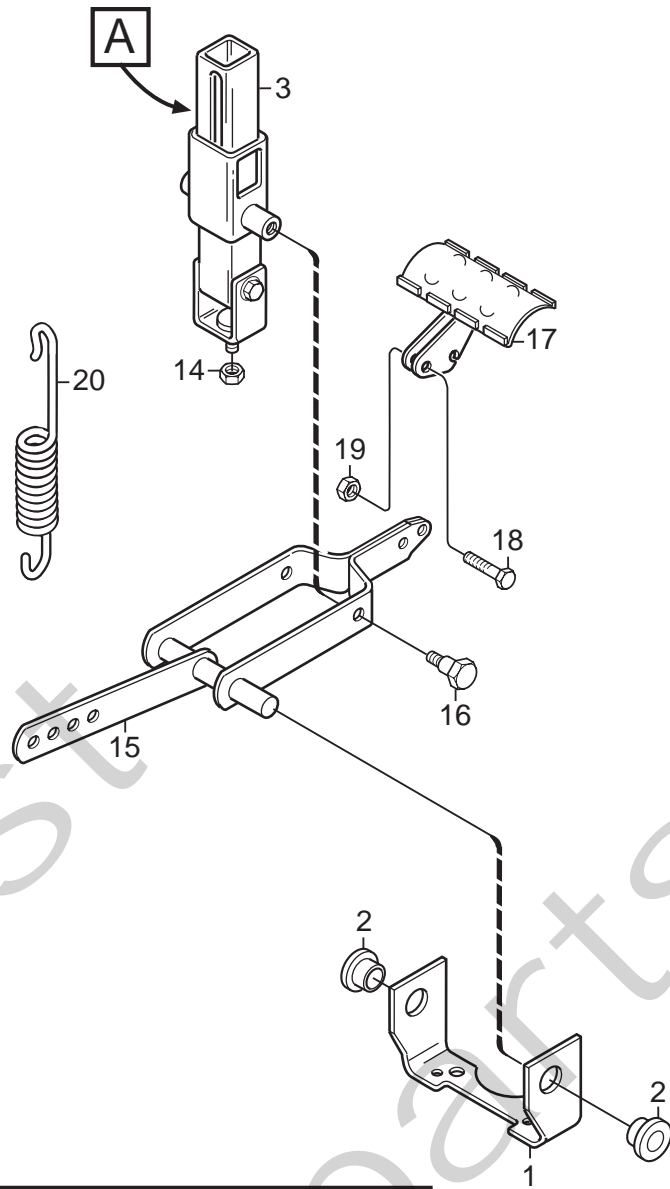
Utgåva Issue		Bildnr Picture No		PARK 4WD KAROSS- BAK		PARK 4WD BODY WORK- REAR		Sida Page	
2008- 11		2016B						106	
Pos. Fig.	Antal/Quantity			Art nr Part No	Benämning	Description	Sats Kit	Anmärkning Notes	
	6185	6181							
1	1	1		1134- 6025- 01	Motorhuv.....	Engine hood			
2	4	4		9893- 0616- 16	Skruv	Screw			
3	1	1		1134- 9028- 01	Gummistropp- sats	Rubber strap kit		Sats 3 st/kit of 3	
4	1	1		9632- 0513- 00	Popnit	Pop rivet			
5	1	1		9699- 0120- 02	Bricka	Washer			
6	1	1		1134- 6026- 01	Motorlucka	Engine cover			
7	1	1		1134- 6027- 01	Ändavslut- vä	Bumper end- LH			
8	1	1		1134- 6027- 02	Ändavslut- hö	Bumper end- RH			
9	4	4		1134- 6310- 01	Clips	Clips			
15		1		1134- 4012- 03	Stödkonsol- hö	Support- RH			
16		1		1134- 4012- 04	Stödkonsol- vä	Support- LH			
17		1		9959- 0820- 16	Skruv	Screw			
18		1		9739- 0831- 22	Mutter	Nut			
19	1	1		1134- 6241- 01	Huvstöd	Hood support			
20	3	3		9893- 0616- 16	Skruv	Screw			
21		1		1134- 4800- 01	Innerskärm- hö	Inner mud guard- RH			
22		4		9699- 0060- 02	Planbricka	Flat washer			
23		4		9893- 0616- 16	Skruv	Screw			
24		1		1134- 4801- 01	Innerskärm- vä	Inner mud guard- LH			
99		1		1134- 4593- 08	Dekalsats	Decal kit		Diesel	
99	1			1134- 6443- 07	Dekalsats	Decal kit		Prestige	



Utgåva Issue 2008- 11		Bildnr Picture No 2033A		PARK 4WD PRESTIGE RAM		PARK 4WD PRESTIGE FRAME		Sida Page 108	
Pos. Fig.	Antal/Quantity				Art nr Part No	Benämning	Description	Sats Kit	Anmärkning Notes
	6185								
1	1				1134-5656-02	Ram- främre	Frame- front		
2	1				1134-3963-02	• Midjegaffel	• Clevis		
3	1				1134-0031-00	• Ledaxelstopp	• Pivot shaft stop		
4	1				9595-0262-00	• Spännstift	• Locating pin		
5	2				9501-0500-00	• Smörjnippel	• Grease joint		
7	1				1134-6466-01	Ram- bakre	Frame- rear		
8	1				1134-5705-01	• Distans	• Spacer		
9	2				9547-0001-00	• Ledlager	• Bearing		
10	2				9501-0500-00	• Smörjnippel	• Grease joint		
11	1				1134-5988-01	Centrumaxel	Centre shaft		
13	2				9699-0035-02	Planbricka	Flat washer		
14	2				9959-1025-16	Skruv	Screw		
15	2				9403-0048-70	Täckpropp	Plug		
16	1				1134-6586-01	Durk	Floor plate		
17	1				1134-6372-04	Durkmatta	Floor mat		
18	2				9893-0616-16	Skruv	Screw		
19	1				1134-5944-01	Tankhylla	Tank shelf		
20	2				9945-0816-16	Skruv	Screw		
21	2				9959-0820-16	Skruv	Screw		
22	2				9739-0831-22	Mutter	Nut		
24	1				1134-5676-01	Stötfångare	Bumper		
25	2				1134-4100-01	Täckpropp	Plug		
26	2				1134-0240-00	Ansatsskruv	Shoulder screw		
27	2				1134-4242-01	Distansbricka	Spacer washer		
28	2				9665-0002-00	Brickfjäder	Bowed washer		
29	2				9747-0831-02	Mutter	Lock nut		
30	2				9943-0516-16	Skruv	Screw		

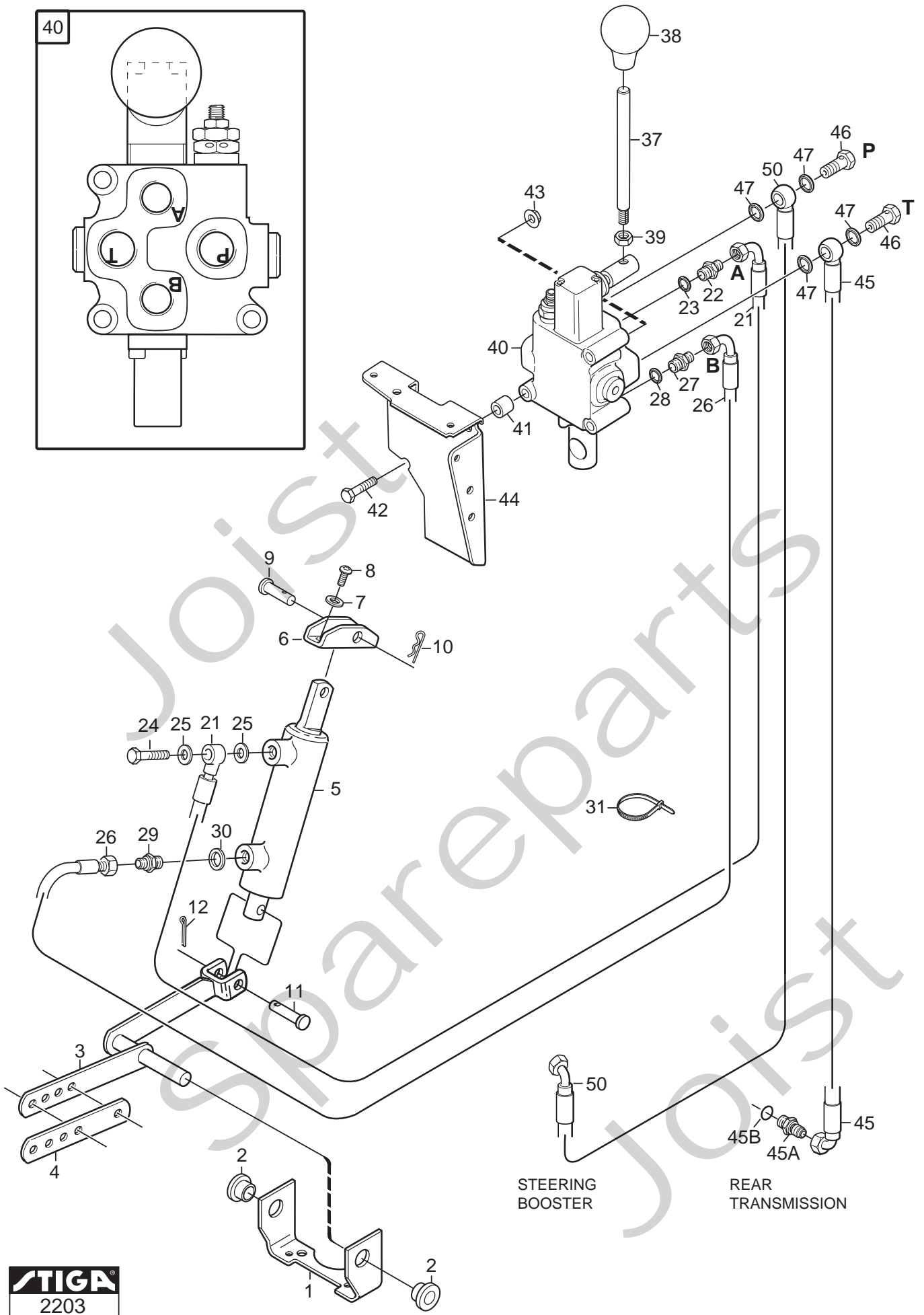
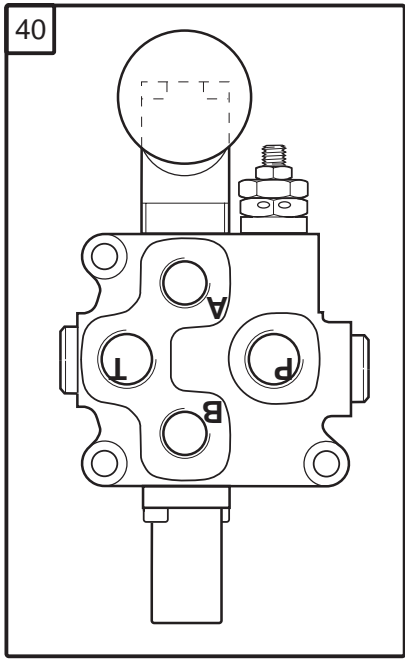


Utgåva Issue 2008- 11		Bildnr Picture No 2034B		PARK 4WD DIESEL RAM		PARK 4WD DIESEL FRAME		Sida Page 110	
Pos. Fig.	Antal/Quantity				Art nr Part No	Benämning	Description	Sats Kit	Anmärkning Notes
	6181								
1	1				1134-5656-02	Ram- främre	Frame- front		
2	1				1134-3963-02	• Midjegaffel	• Clevis		
3	1				1134-0031-00	• Ledaxelstopp	• Pivot shaft stop		
4	1				9595-0262-00	• Spännstift	• Locating pin		
5	2				9501-0500-00	• Smörjnippel	• Grease joint		
7	1				1134-6046-01	Ram- bakre	Frame- rear		
8	1				1134-5705-01	• Distans	• Spacer		
9	2				9547-0001-00	• Ledlager	• Bearing		
10	2				9501-0500-00	• Smörjnippel	• Grease joint		
11	1				1134-5988-01	Centrumaxel	Centre shaft		
13	2				9699-0035-02	Planbricka	Flat washer		
14	2				9959-1025-16	Skruv	Screw		
16	1				1134-6586-01	Durk	Floor plate		
17	1				1134-6372-04	Durkmatta	Floor mat		
18	2				9893-0616-16	Skruv	Screw		
19	1				1134-5944-01	Tankhylla	Tank shelf		
20	2				9945-0816-16	Skruv	Screw		
21	2				9959-0820-16	Skruv	Screw		
22	2				9739-0831-22	Mutter	Nut		
24	1				1134-5676-01	Stötfångare	Bumper		
25	2				1134-4100-01	Täckpropp	Plug		
26	2				1134-0240-00	Ansatsskruv	Shoulder screw		
27	2				1134-4242-01	Distansbricka	Spacer washer		
28	2				9665-0002-00	Brickfjäder	Bowed washer		
29	2				9747-0831-02	Mutter	Lock nut		
30	2				9943-0516-16	Skruv	Screw		
40	1				1134-6037-01	Motorstag	Engine support		
41	1				1134-4918-01	Motorstag- fram	Engine support- front		
42	4				9997-1011-06	Skruv	Screw		
43	4				9699-0030-02	Planbricka	Flat washer		
44	4				1111-2453-01	Isolering	Grommet		
45	4				1134-4919-01	Distans	Spacer		
46	4				9739-1031-22	Mutter	Nut		
47	4				1134-4915-01	Stödkopp	Support cup		
48	4				1134-4920-01	Dämpement	Vibration absorber		
49A	2				1134-0041-03	Hylsa	Collar		L = 55 mm
49B	2				1134-6887-01	Hylsa	Collar		L = 51,2 mm
50	4				9731-1031-22	Mutter	Nut		



Utgåva Issue 2008- 11		Bildnr Picture No 1023D		PARK 4WD PRESTIGE PEDALLYFT		PARK 4WD PRESTIGE PEDAL LIFT		Sida Page 112	
Pos. Fig.	Antal/Quantity				Art nr Part No	Benämning	Description	Sats Kit	Anmärkning Notes
	6185								
1	1				1134-4117-01 Fäste	Bracket			
2	2				1134-2684-01 Lager	Bearing			
3	1				1134-4945-01 Lyftspärr kpl	Lift catch assy			
7	1				9404-0027-01 • O- ring	• O- ring			
8	1				9650-0039-04 • Seegersäkring	• Lock ring			
9	1				9595-0276-01 • Spännstift	• Locating pin			
10	1				9997-0640-12 • Skruv	• Screw			
11	1				9747-0631-02 • Låsmutter	• Lock nut			
13	1				9897-0820-16 • Skruv	• Screw			
14	1				9747-0831-02 Mutter	Lock nut			
15	1				1134-4860-01 Lyftgaffel	Lift fork			
16	2				1134-0240-00 Ansatsskruv	Shoulder screw			
17	1				1134-4938-01 Lyftpedal	Lift pedal			
18	2				9997-0625-16 Skruv	Screw			
19	2				9739-0631-22 Mutter	Nut			
20	1				4231-0013-00 Fjäder	Spring			

40

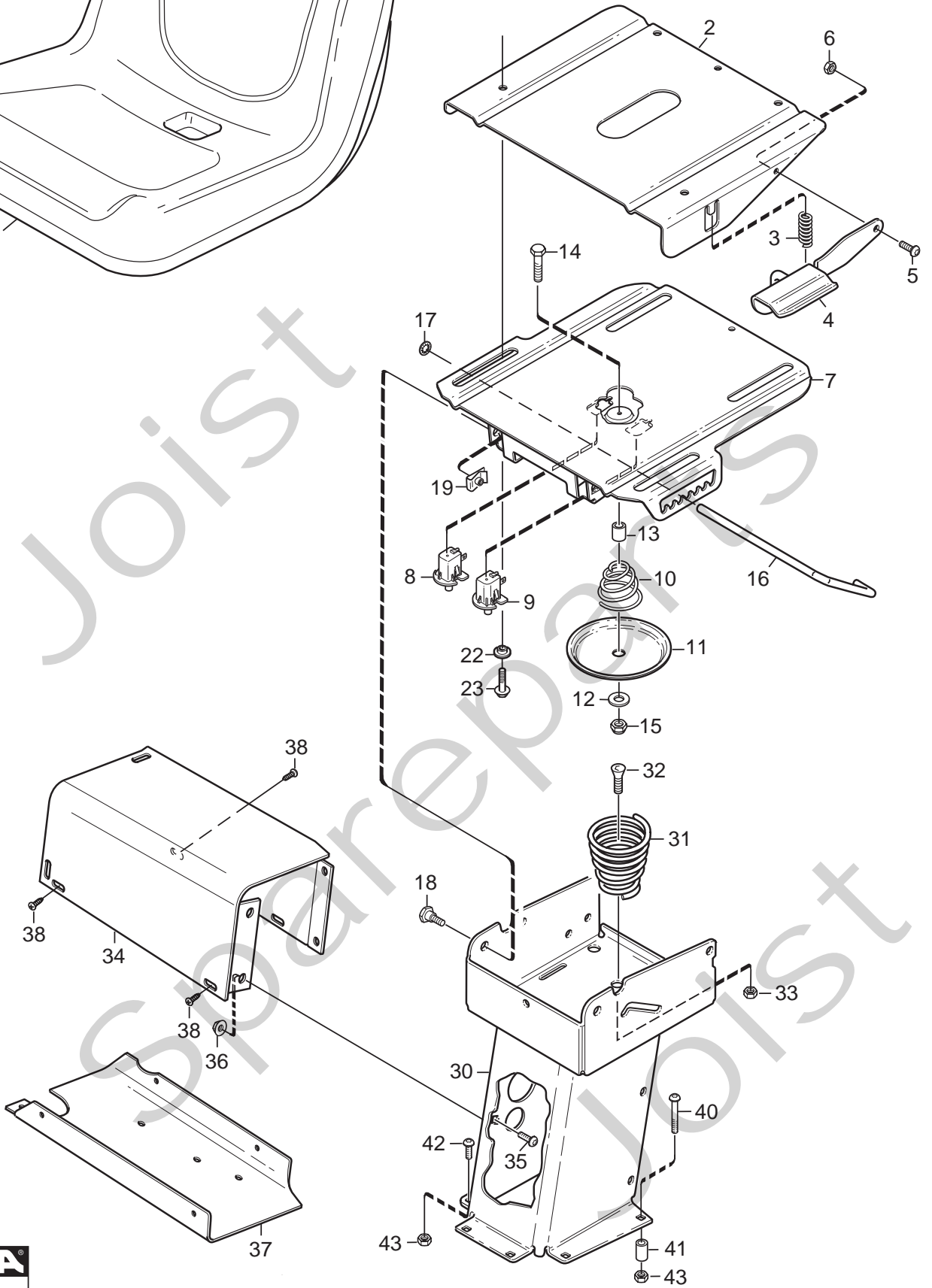
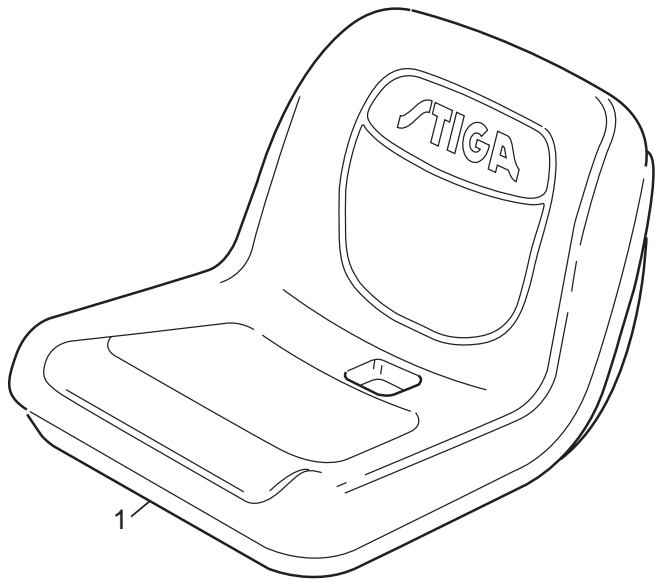


STEERING BOOSTER

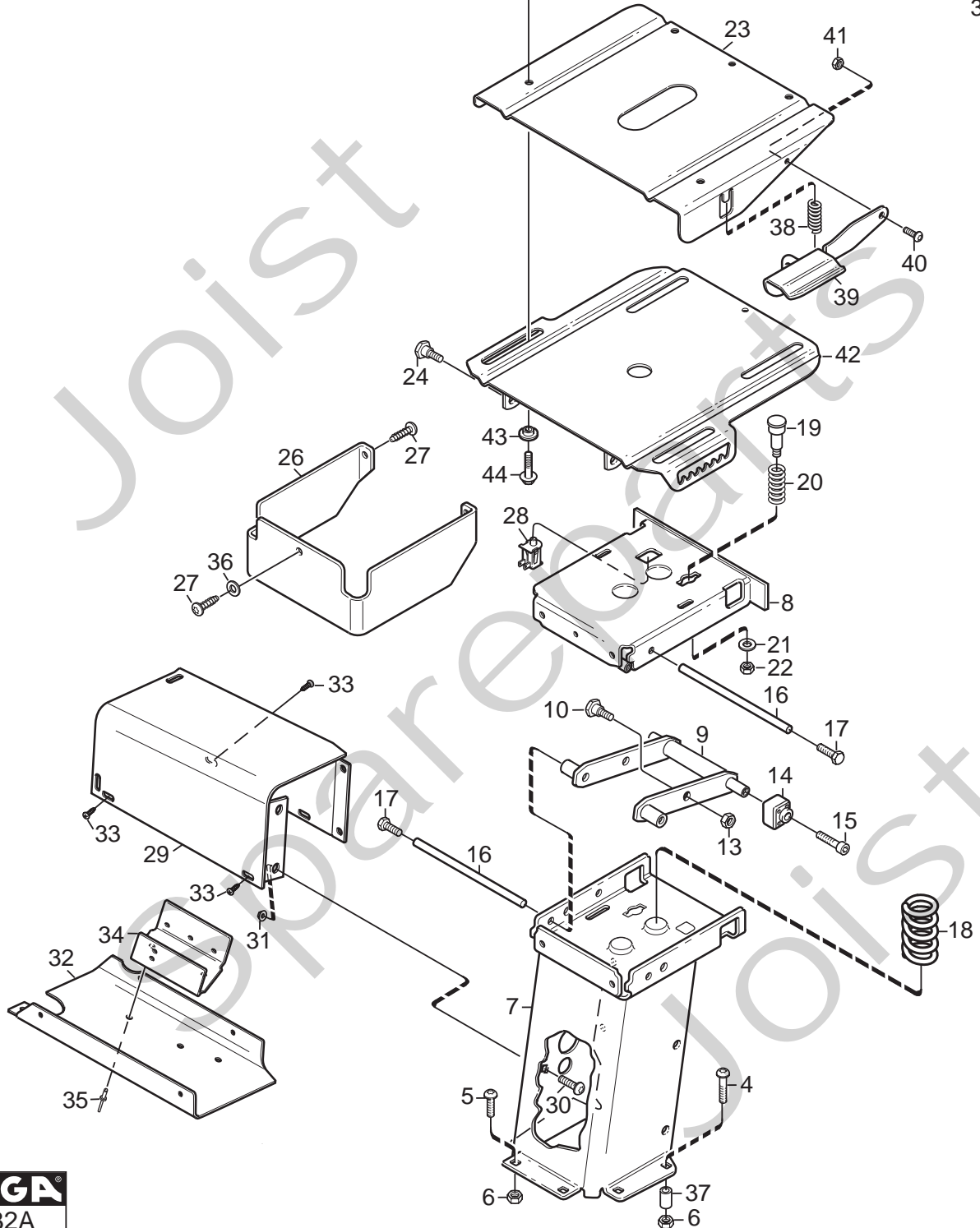
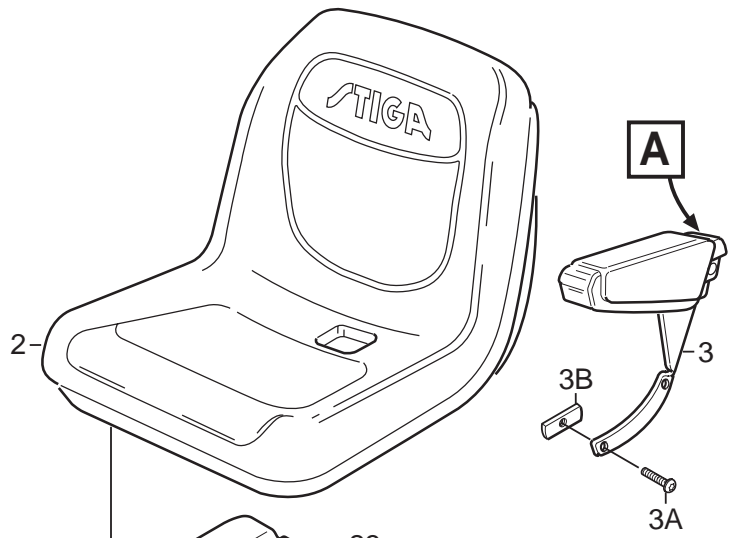
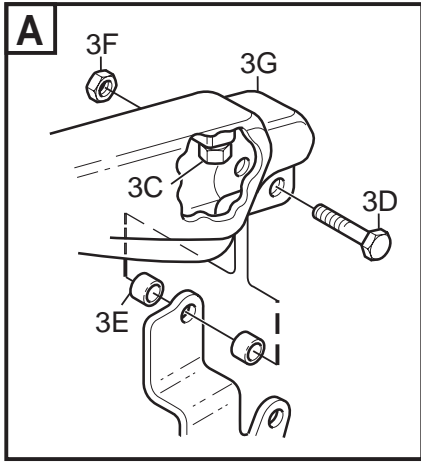
REAR TRANSMISSION



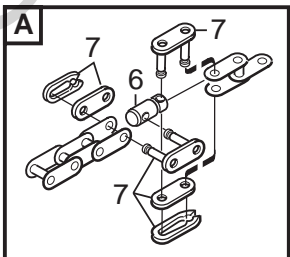
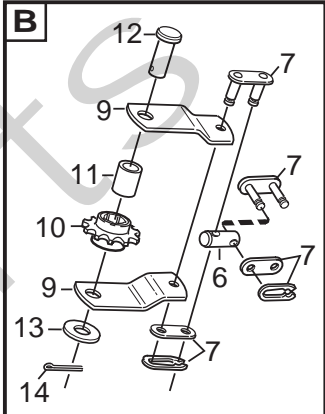
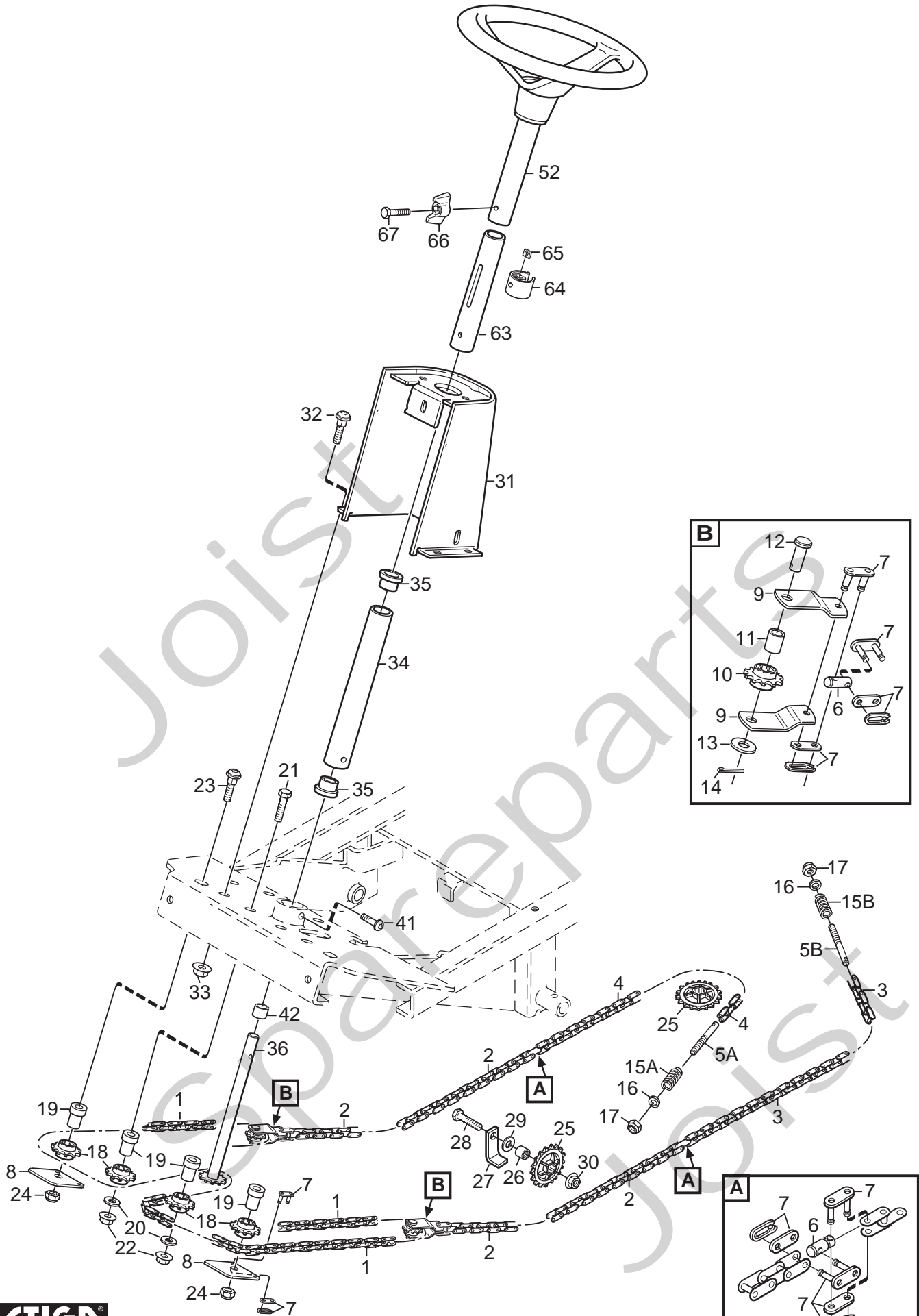
Utgåva Issue 2008- 11		Bildnr Picture No 2203		PARK 4WD DIESEL HYDRAULLYFT		PARK 4WD DIESEL HYDRAULIC LIFT		Sida Page 114	
Pos. Fig.	Antal/Quantity				Art nr Part No	Benämning	Description	Sats Kit	Anmärkning Notes
	6181								
1	1				1134-4117-01 Fäste	Bracket			
2	2				1134-2684-01 Lager	Bearing			
3	1				1134-6457-01 Lyftarm	Lift lever			
4	1				1134-6245-01 Lyftarm	Lift lever			Tillbehör/Accessory
5	1				1134-5596-01 Hydraulcylinder	Hydraulic cylinder			
6	1				1134-4815-01 Cylinderfäste	Cylinder bracket			
7	2				9699-0025-02 Planbricka	Washer			
8	2				9893-0616-16 Skruv	Screw			
9	1				1134-4816-01 Sprint	Pin			Ø 10 x 29
10	1				9598-0002-02 Låsnål	Pin lock			
11	1				1134-4817-01 Kolvstångssprint	Pin			Ø 10 x 34
12	1				9599-0054-02 Saxpinne	Cotter pin			
21	1				1134-6299-01 Hydraulslang	Hydraulic tube			
22	1				1134-4824-01 Adapter	Adapter			1/4" x 1/8"
23	1				1134-4948-01 Tredobricka	Seal washer			1/4"
24	1				1134-4826-01 Banjoskruv	Banjo bolt			
25	2				1134-4947-01 Kopparbricka	Copper washer			
26	1				1134-6298-01 Hydraulslang	Hydraulic tube			
27	1				1134-4824-01 Adapter	Adapter			1/4" x 1/8"
28	1				1134-4948-01 Tredobricka	Seal washer			1/4"
29	1				1134-4825-01 Adapter	Adapter			1/8" x 1/8"
30	1				1134-4947-01 Kopparbricka	Copper washer			
31	4				9579-0003-00 Buntband	Cable holder			
37	1				1134-6345-01 • Spak	• Lever			
38	1				1134-2551-01 Reglageknopp	Knob			
39	1				9739-0831-22 Mutter	Nut			
40	1				1134-6294-01 Handspaksventil	Hand operated valve			Inkl. pos 37
41	2				1134-6364-01 Distans	Spacer			
42	2				9997-0660-12 Skruv	Screw			
43	2				9739-0631-22 Mutter	Nut			
44	1				1134-6328-01 Frontfäste	Panel bracket-front			
45	1				1134-6300-01 Hydraulslang	Hydraulic tube			
45A	1				1134-4282-01 Hydraulnippel	Hydraulic nipple			9/16" x 9/16"
45B	1				9404-0028-01 • O-ring	• O-ring			
46	2				1134-6323-01 Banjobult	Banjo bolt			3/8"
47	4				1134-4948-02 Tredobricka	Tredo washer			3/8"
50	1				1134-6295-01 Hydraulslang	Hydraulic tube			



Utgåva Issue 2008- 11		Bildnr Picture No 2019A		PARK 4WD PRESTIGE SITS		PARK 4WD PRESTIGE SEAT		Sida Page 116	
Pos. Fig.	Antal/Quantity				Art nr Part No	Benämning	Description	Sats Kit	Anmärkning Notes
	6185								
1	1				1134-6444-01	Sits	Seat		
2	1				1134-6090-01	Glidplatta	Slide plate		
3	1				1134-3262-01	Tryckfjäder	Compression spring		
4	1				1134-6073-01	Handtag	Handle		
5	1				9893-0616-16	Skruv	Screw		
6	1				9747-0631-02	Låsmutter	Lock nut		
7	1				1134-6068-01	Glidplatta- undre	Slide plate-lower		
8	1				1134-3156-01	Brytare (svart)	Switch (black)		
9	1				1134-3156-02	Brytare (grå)	Switch (grey)		
10	1				1134-5302-01	Fjäder	Spring		
11	1				1134-5299-01	Tryckplatta	Push plate		
12	1				9699-0090-02	Planbricka	Flat washer		
13	1				1134-1565-06	Distans	Spacer		
14	1				9997-0840-16	Skruv	Screw		
15	1				9747-0831-02	Mutter	Lock nut		
16	1				1134-5179-01	Spärr	Catch		
17	1				9675-0012-02	Starlock	Locking washer		
18	2				1134-0240-00	Ansatsskruv	Shoulder screw		
19	2				1134-4620-01	Fjädermutter	Spring nut		
22	4				1134-6078-01	Ansatsbricka	Flange washer		
23	4				9959-0820-16	Skruv	Screw		
30	1				1134-5698-01	Sitskonsol	Seat bracket		
31	1				1134-4256-01	Sitsfjäder	Seat spring		
32	1				9924-1235-19	Skruv	Screw		
33	1				9747-1231-02	Låsmutter	Lock nut		
34	1				1134-3990-01	Armsvep	Attachment-side panel		
35	2				9897-0820-16	Skruv	Screw		
36	2				9739-0831-22	Mutter	Nut		
37	1				1134-4130-01	Lock- undre	Cover-lower		
38	4				9840-8019-16	Skruv	Screw		
40	2				9897-0880-12	Skruv	Screw		
41	2				1134-1565-08	Distans	Spacer		
42	4				9897-0820-16	Skruv	Screw		
43	6				9747-0831-02	Mutter	Lock nut		

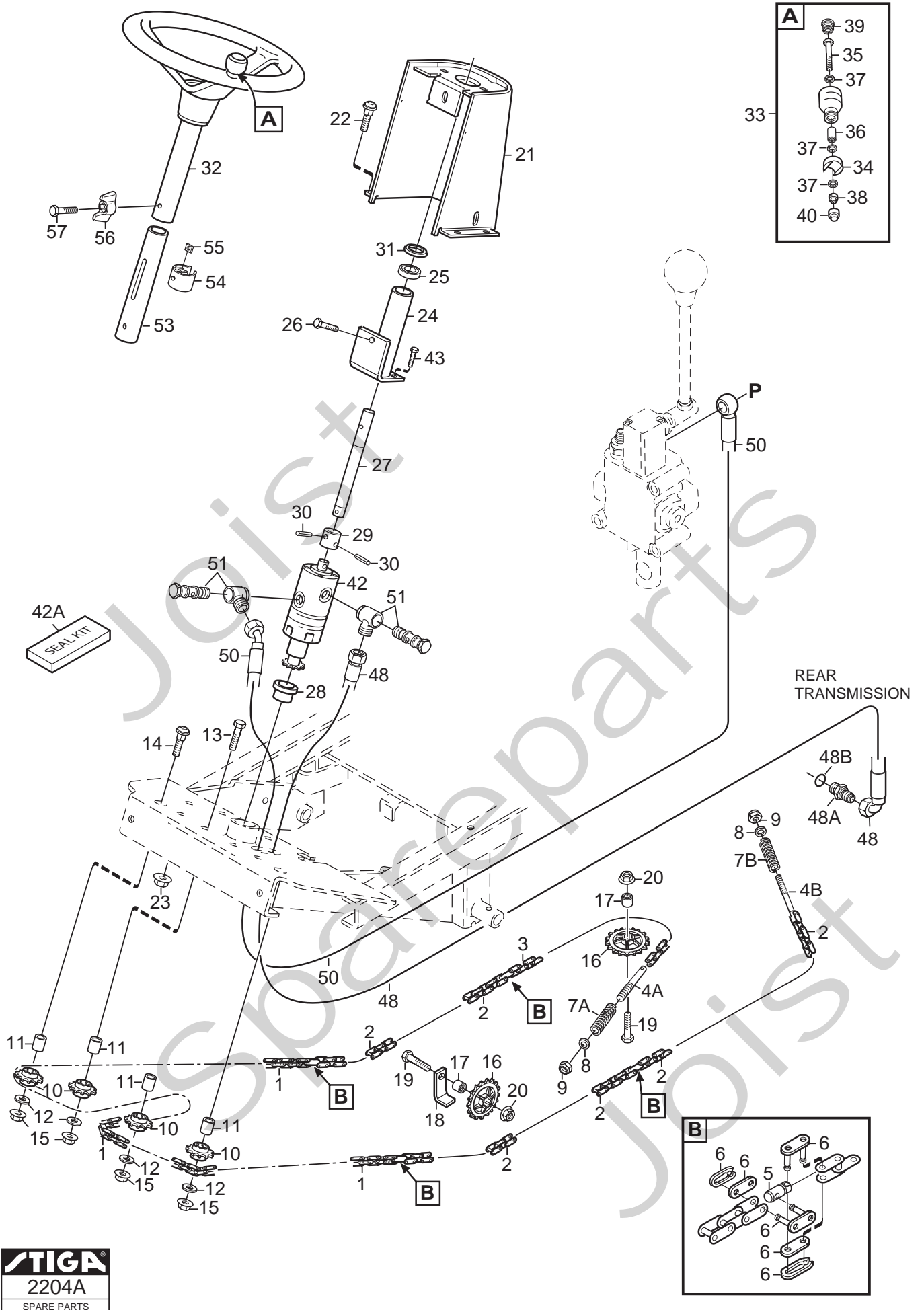


Utgåva Issue		Bildnr Picture No		PARK 4WD DIESEL SITS		PARK 4WD DIESEL SEAT		Sida Page	
2008- 11		2032A						118	
Pos. Fig.	Antal/Quantity				Art nr Part No	Benämning	Description	Sats Kit	Anmärkning Notes
	6181								
2	1			1134-6445-01	Sits	Seat.....			
3	1			1134-4225-01	Armstöd kpl.....	Arm rests assy.....			
3A	6			1134-5095-01	• Skruv	• Button head screw			
3B	6			1134-5096-01	• Mutter	• Tab nut			
3C	2			9988-3713-16	• Skruv	• Screw		L = 13 mm	
3D	2			9988-3745-12	• Skruv	• Screw		L = 45 mm	
3E	4			1134-5094-01	• Distans	• Spacer			
3F	2			9795-3731-02	• Mutter	• Nut			
3G	2			1134-5879-01	• Armstödsdyna	• Arm rest pad			
4	2			9897-0880-12	Skruv	Screw		L = 80 mm	
5	4			9897-0820-16	Skruv	Screw		L = 20 mm	
6	6			9747-0831-02	Mutter	Lock nut			
7	1			1134-5695-02	Sitskonsol.....	Seat bracket			
8	1			1134-6080-01	Platta- övre	Plate- upper			
9	2			1134-6076-01	Länkarm	Pivot link			
10	2			1134-0240-00	Ansatsskruv.....	Shoulder screw			
13	2			9747-0831-02	Mutter	Lock nut			
14	4			1134-4084-01	Glidsko	Slide block			
15	4			9939-0816-16	Skruv	Screw			
16	2			1134-4082-03	Axel	Shaft			
17	4			9959-0820-16	Skruv	Screw			
18	2			1134-4160-01	Fjäder.....	Seat spring.....			
19	1			1134-4153-01	Tryckpinne.....	Push pin.....			
20	1			1134-4159-01	Fjäder.....	Spring			
21	1			9699-0056-02	Planbricka.....	Flat washer.....			
22	1			9747-0831-02	Mutter	Lock nut			
23	1			1134-6090-01	Glidplatta	Slide plate			
24	2			1134-0240-00	Ansatsskruv.....	Shoulder screw			
26	1			1134-6121-01	Svep	Cover			
27	3			9852-8013-16	Skruv	Screw			
28	1			1134-3156-01	Brytare (svart)	Switch (black)			
29	1			1134-3990-01	Armsvep	Attachment- side panel.....			
30	2			9897-0820-16	Skruv	Screw			
31	2			9739-0831-22	Mutter	Nut			
32	1			1134-4130-01	Lock- undre	Cover- lower			
33	4			9840-8019-16	Skruv	Screw			
34	1			1134-4135-01	Relähållare.....	Relay holder			
35	2			9632-0522-00	Popnit	Pop rivet			
36	1			9699-0087-02	Planbricka.....	Flat washer.....			
37	2			1134-1565-08	Distans	Spacer			
38	1			1134-3262-01	Tryckfjäder.....	Compression spring.....			
39	1			1134-6073-01	Handtag	Handle			
40	1			9893-0616-16	Skruv	Screw			
41	1			9747-0631-02	Låsmutter	Lock nut			
42	1			1134-6071-01	Glidplatta- undre	Slide plate- lower.....			
43	4			1134-6078-01	Ansatsbricka.....	Flange washer			
44	4			9959-0820-16	Skruv	Screw			

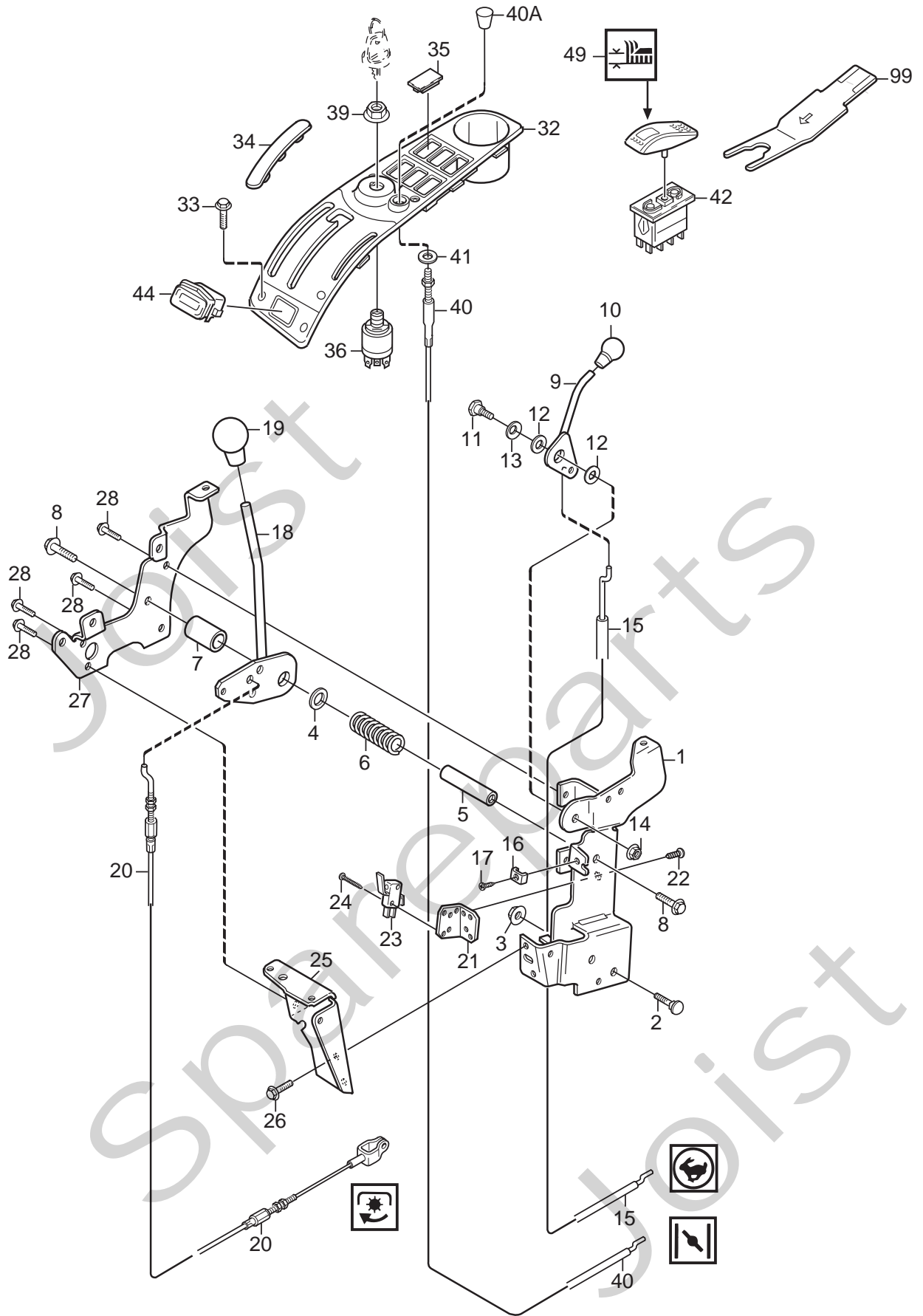


Utgåva Issue 2008- 11		Bildnr Picture No 1787B		PARK 4WD PRESTIGE STYRNING		PARK 4WD PRESTIGE STEERING		Sida Page 120	
Pos. Fig.	Antal/Quantity				Art nr Part No	Benämning	Description	Sats Kit	Anmärkning Notes
	6185								
1	1				1134-6374-10	Kedja	Chain		129 länk
2	2				1134-6374-09	Kedja	Chain		35 länk
3	1				1134-6374-02	Kedja	Chain		41 länk
4	1				1134-6374-05	Kedja	Chain		47 länk
5A	1				1134-3550-01	Ändnippel	End nipple		L = 110 mm
5B	1				1134-3550-02	Ändnippel	End nipple		L = 90 mm
6	4				1134-3565-01	Skarvnippel	Connection nipple		
7	12				1134-2824-02	Kedjelås	Chain lock		
8	2				1134-5652-01	Fäste	Attachment		
9	4				1134-5651-01	Bygel	Bracket		
10	2				1134-2816-01	Kedjehjul	Sprocket		
11	2				1134-0041-02	Linhjulshylsa	Idler wheel bush		
12	2				1134-4817-01	Kolvstängssprint	Pin		
13	2				9699-0035-02	Planbricka	Flat washer		
14	2				9599-0054-02	Saxpinne	Cotter pin		
15A	1				1134-3817-01	Tryckfjäder	Compression spring		L = 58 mm
15B	1				1134-3817-02	Tryckfjäder	Compression spring		L = 33 mm
16	2				9699-0090-02	Planbricka	Flat washer		
17	2				9747-0831-02	Mutter	Lock nut		
18	4				1134-2816-01	Kedjehjul	Sprocket		
19	4				1134-5653-01	Distans	Spacer		
20	2				9699-0035-02	Planbricka	Flat washer		
21	2				9997-1060-12	Skruv	Screw		
22	2				9739-1031-22	Mutter	Nut		
23	2				9897-1060-12	Skruv	Screw		
24	2				9731-1031-22	Mutter	Nut		
25	3				1134-3547-01	Kedjehjul	Sprocket		
26	2				1134-0041-01	Linhjulshylsa	Bushing		
27	2				1134-0046-00	Linhållare	Wire clamp		
28	2				9997-1040-16	Skruv	Screw		
29	2				9699-0035-02	Planbricka	Flat washer		
30	2				9739-1031-22	Mutter	Nut		
31	1				1134-4120-04	Styrkonsol	Steering console		
32	4				9897-0820-16	Skruv	Screw		
33	4				9739-0831-22	Mutter	Nut		
34	1				1134-1305-03	Rattrör- nedre	Steering column- lower		
35	2				1134-1901-01	Lager	Bearing		
36	1				1134-2821-04	Rattstång	Steering rod		
41	2				9893-0616-16	Skruv	Screw		
42	1				1134-2837-03	Distans	Spacer		
52	1				1134-5173-01	Ratt	Steering wheel		
63	1				1134-5216-01	Rattrör- inre kpl	Steering tube- inner		
64	1				1134-5177-01	• Slid	• Slide		
65	1				9710-0631-12	• Fyrkantmutter	• Square nut		
66	1				1134-4481-02	Vingmutter	Wing nut		
67	1				9997-0630-12	Skruv	Screw		

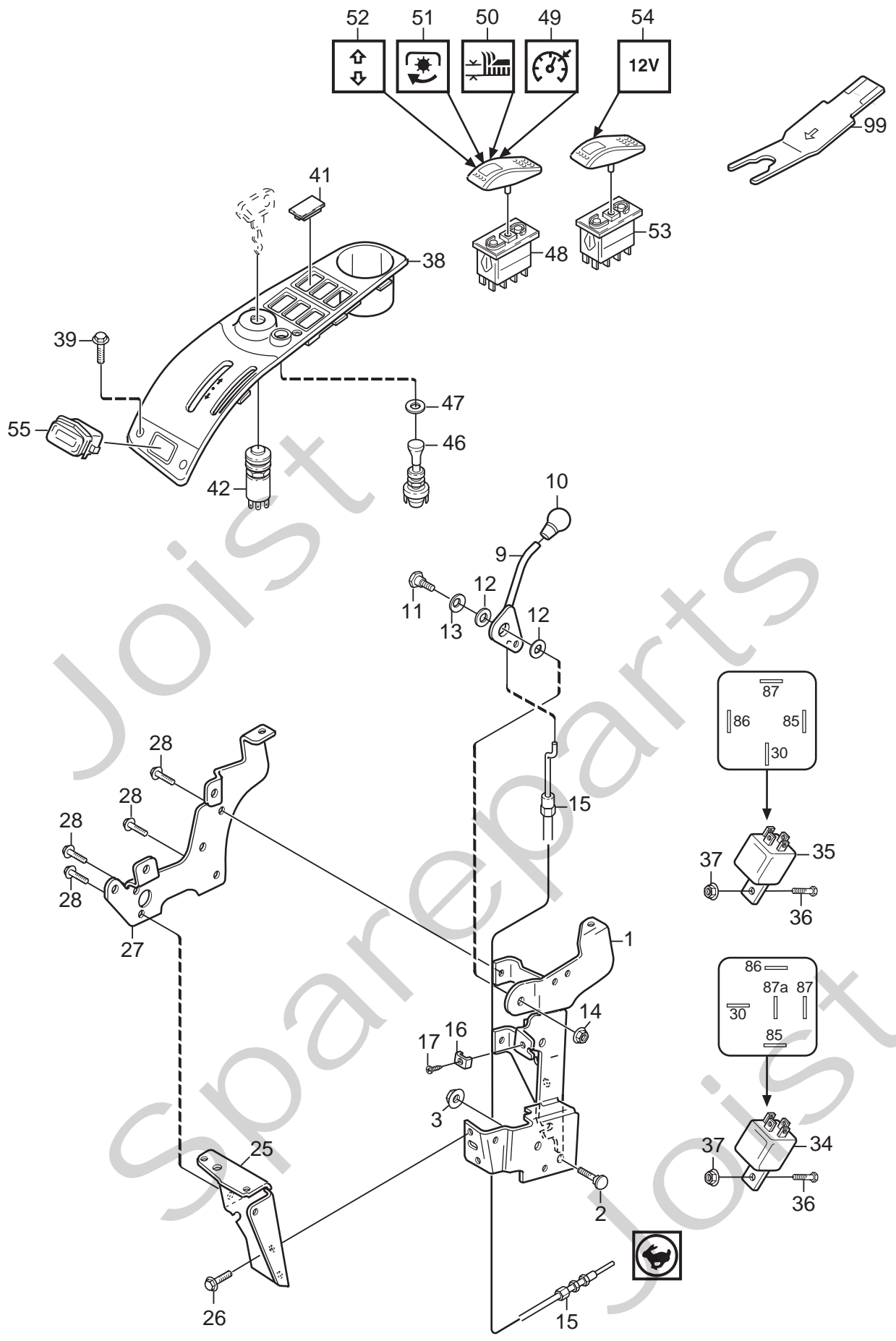
X



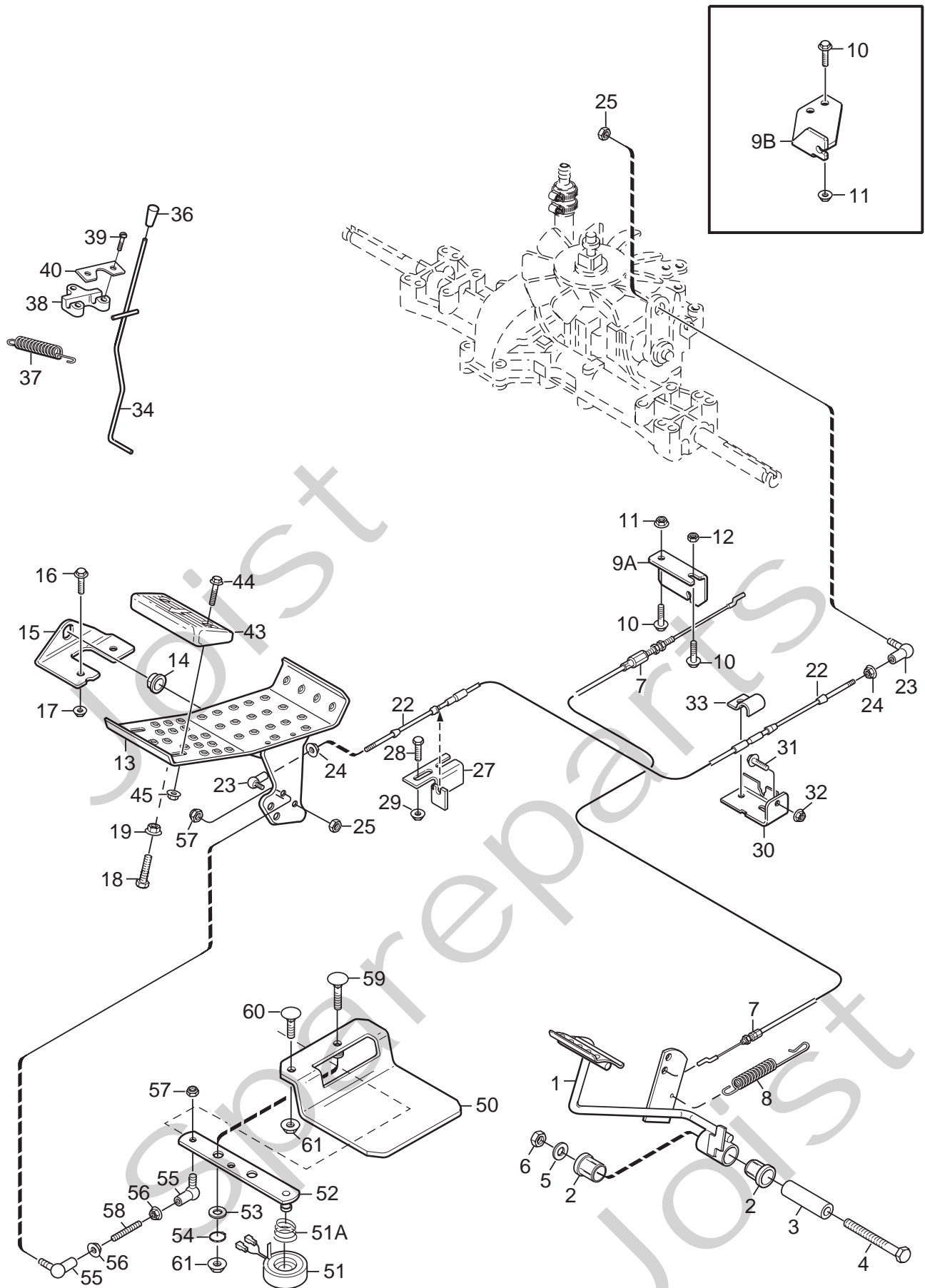
Utgåva Issue		Bildnr Picture No		PARK 4WD DIESEL STYRNING		PARK 4WD DIESEL STEERING		Sida Page	
2008- 11		2204A						122	
Pos. Fig.	Antal/Quantity				Art nr Part No	Benämning	Description	Sats Kit	Anmärkning Notes
	6181								
1	1			1134-6374-06	Kedja	Chain		83 länk	
2	3			1134-6374-02	Kedja	Chain		41 länk	
3	1			1134-6374-04	Kedja	Chain		45 länk	
4A	1			1134-3550-01	Ändnippel	End nipple		L = 110 mm	
4B	1			1134-3550-02	Ändnippel	End nipple		L = 90 mm	
5	4			1134-3565-01	Skarvnippel	Connection nipple			
6	10			1134-2824-02	Kedjelås	Chain lock			
7A	1			1134-3817-01	Tryckfjäder	Compression spring		L = 58 mm	
7B	1			1134-3817-02	Tryckfjäder	Compression spring		L = 33 mm	
8	2			9699-0090-02	Planbricka	Flat washer			
9	2			9747-0831-02	Mutter	Lock nut			
10	4			1134-2816-01	Kedjehjul	Sprocket			
11	4			1134-0041-02	Linhjulshylsa	Idler wheel bush			
12	4			9699-0035-02	Planbricka	Flat washer			
13	2			9997-1050-16	Skruv	Screw			
14	2			9897-1040-12	Skruv	Screw			
15	4			9739-1031-22	Mutter	Nut			
16	3			1134-3547-01	Kedjehjul	Sprocket			
17	3			1134-0041-01	Linhjulshylsa	Bushing			
18	2			1134-0046-00	Linhållare	Wire clamp			
19	3			9997-1030-16	Skruv	Screw			
20	3			9739-1031-22	Mutter	Nut			
21	1			1134-4120-04	Styrkonsol	Steering console			
22	4			9897-0820-16	Skruv	Screw			
23	4			9739-0831-22	Mutter	Nut			
24	1			1134-4113-02	Rattör- nedre	Steering tube- lower			
25	1			9549-0017-00	Kullager	Ball bearing			
26	1			9945-0816-16	Skruv	Screw			
27	1			1134-4087-01	Rattstång	Steering rod			
28	1			1134-4114-01	Bussning	Bushing			
29	1			1134-4118-01	Koppling	Coupling			
30	2			9595-0256-01	Spännstift	Pin			
31	1			9695-0011-00	Bricka	Washer			
32	1			1134-5173-02	Ratt kpl	Steering wheel assy			
33	1			1134-3769-01	• Styrknopp kpl	• Steering wheel button			
34	1			1134-3752-01	•• Knopffäste	•• Knob holder			
35	1			9997-0870-16	•• Skruv	•• Screw			
36	1			1134-1565-06	•• Distans	•• Spacer			
37	3			9699-0090-02	•• Planbricka	•• Flat washer			
38	1			9747-0831-02	•• Mutter	•• Lock nut			
39	1			9403-0043-70	•• Plugg	•• Plug			
40	1			9403-0113-00	•• Mutterhatt	•• Nut cap			
42	1			1134-6420-01	Momentförstärkare	Steering booster			
42A	1			1139-2074-01	Reparationssats	Seal kit			
43	3			9939-0612-16	Skruv	Screw			
48	1			1134-5098-02	Hydraulslang	Hydraulic tube		L = 1810 mm	
48A	1			1134-4282-01	Hydraulnippel	Hydraulic nipple		9/16" x 9/16"	
48B	1			9404-0028-01	• O-ring	• O-ring			
50	1			1134-6295-01	Hydraulslang	Hydraulic tube		L = 1350 mm	
51	2			1134-5100-01	Banjokoppling	Banjo nipple			
53	1			1134-5216-01	Rattör- inre kpl	Steering tube- inner			
54	1			1134-5177-01	• Slid	• Slide			
55	1			9710-0631-12	• Fyrkantmutter	• Square nut			
56	1			1134-4481-02	Vingmutter	Wing nut			
57	1			9997-0630-12	Skruv	Screw			



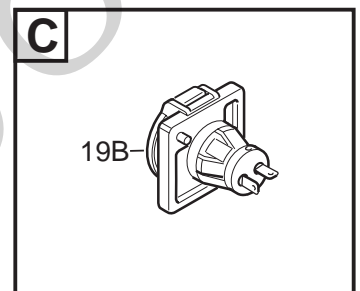
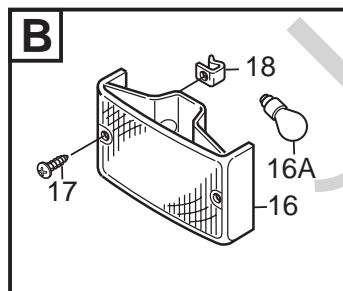
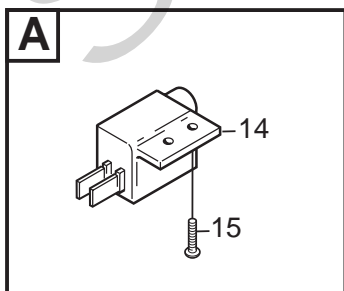
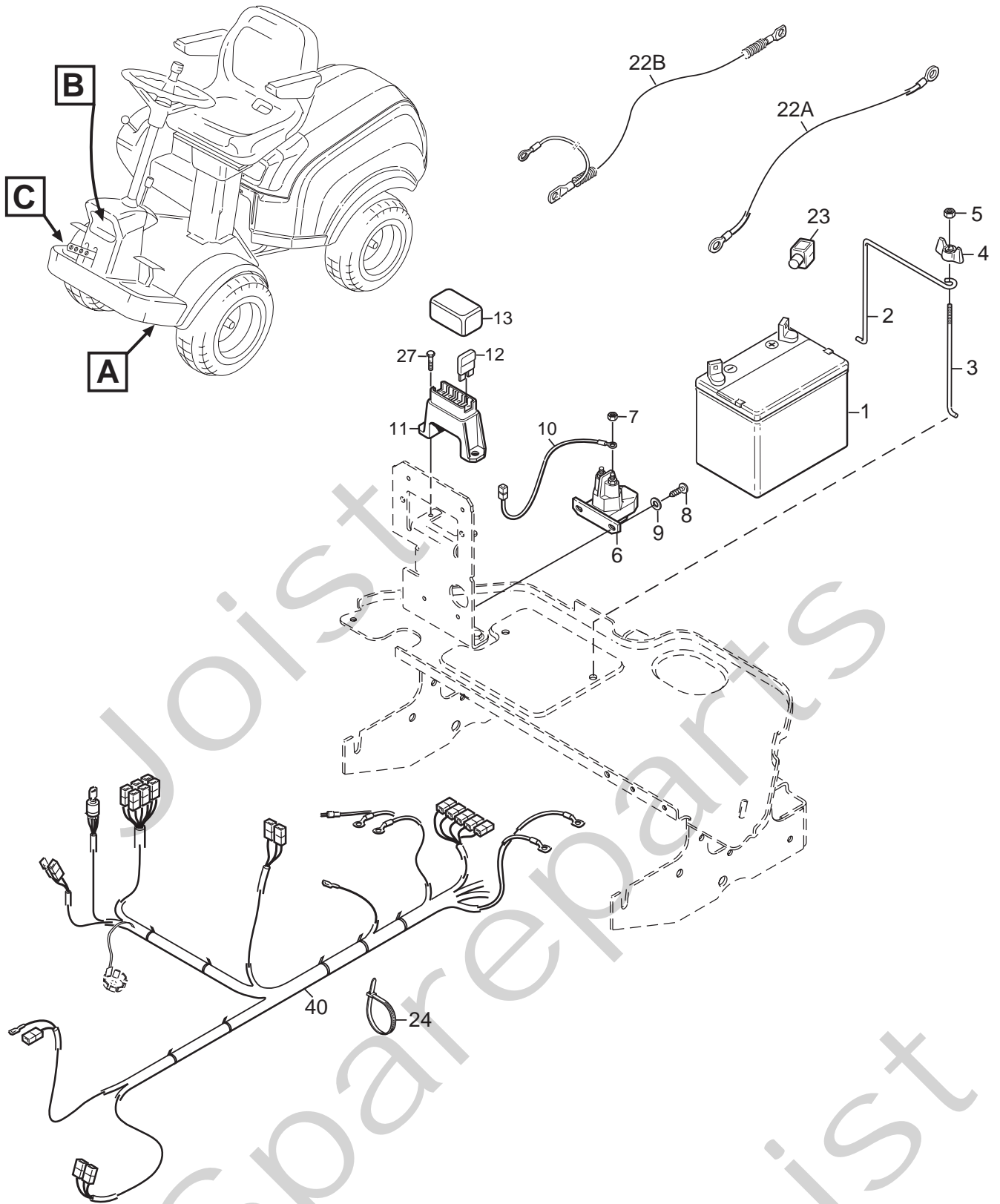
Utgåva Issue 2008- 11		Bildnr Picture No 1991F		PARK 4WD PRESTIGE HANDREGLAGE		PARK 4WD PRESTIGE HAND CONTROLS		Sida Page 124	
Pos. Fig.	Antal/Quantity				Art nr Part No	Benämning	Description	Sats Kit	Anmärkning Notes
	6185								
1	1				1134-4156-01	Vinkelhållare	Panel bracket- inner		
2	2				9897-0820-16	Skruv	Screw		
3	2				9739-0831-22	Mutter	Nut		
4	1				9695-0011-00	Bricka	Washer		
5	1				1134-4065-01	Reglageaxel	Control shaft		
6	1				1134-4079-01	Fjäder	Spring		
7	1				1134-4080-03	Reglagehylsa	Control sleeve		
8	2				9959-0820-16	Skruv	Screw		
9	1				1134-4077-01	Gasreglage	Throttle control		
10	1				1134-4078-01	Knopp	Knob		
11	1				1134-0240-00	Ansatsskruv	Shoulder screw		
12	2				1134-4242-01	Distansbricka	Spacer washer		
13	1				9694-0001-00	Fjäderbricka	Washer		
14	1				9747-0831-02	Mutter	Lock nut		
15	1				1134-4195-04	Gaswire	Throttle cable		L1 = 1070 mm
16	1				9500-9991-00	Wireklämma	Cable clamp		
17	1				9943-0516-16	Skruv	Screw		
18	1				1134-4072-01	Aggregatpak	Control lever		
19	1				1134-2551-01	Reglageknopp	Knob		
20	1				1134-3573-03	Wire	PTO cable		
21	1				1134-5358-01	Brytarfäste	Switch bracket		
22	2				9852-8013-16	Skruv	Screw		
23	1				9400-0285-01	Microbrytare	Switch		
24	2				9840-7716-16	Skruv	Screw		L = 16 mm
25	1				1134-6328-01	Frontfäste	Panel bracket- front		
26	2				9893-0616-16	Skruv	Screw		
27	1				1134-6327-01	Frontplåt	Front plate		
28	4				9893-0616-16	Skruv	Screw		
32	1				1134-6096-02	Kassett	Dashboard		
33	4				9946-0525-16	Skruv	Screw		
34	1				1134-4154-01	Täckbricka	Cover		
35	5				1134-4129-01	Täckbricka	Cover		
36	1				1134-4093-01	Tändningslås	Ignition switch		
39	1				1134-4749-01	Mutter	Nut		
40	1				1134-2872-05	Chokereglage	Choke control		
40A	1				1134-4338-01	• Reglageknopp	• Control knob		
41	1				9699-0090-02	Planbricka	Flat washer		
42	1				9400-0282-01	Brytare m.diod	Switch w.diode		
44	1				1134-6097-01	Timräknare	Hour meter		
49	1				9400-0280-03	Vippa- höjdställning	Cover- height adjust		
99	1				9400-0290-01	Verktyg f.vippa	Tool for cover		Tillbehör/Accessory



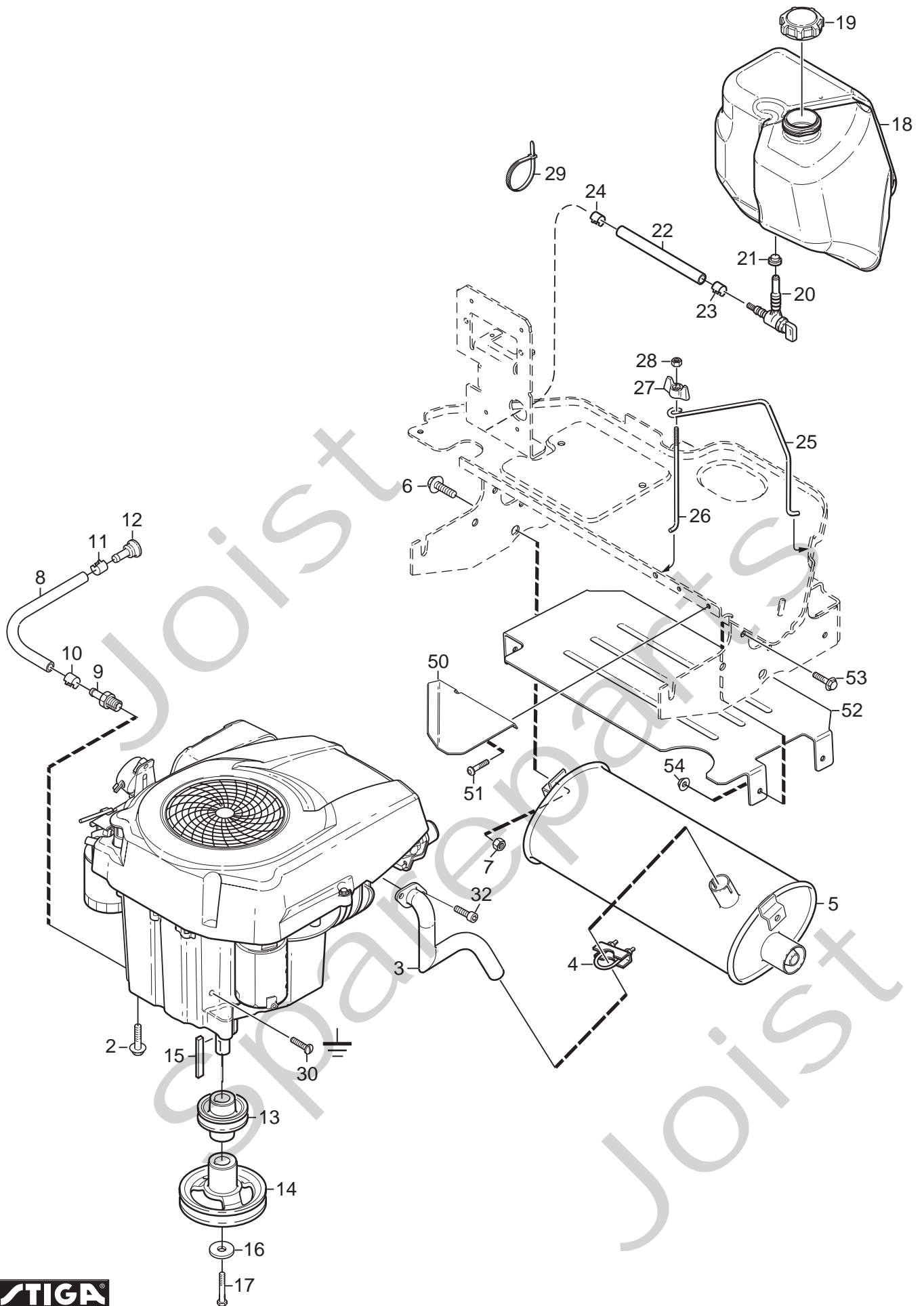
Utgåva Issue 2008- 11		Bildnr Picture No 2205A		PARK 4WD DIESEL HANDREGLAGE		PARK 4WD DIESEL HAND CONTROLS		Sida Page 126	
Pos. Fig.	Antal/Quantity				Art nr Part No	Benämning	Description	Sats Kit	Anmärkning Notes
	6181								
1	1				1134-6324-01	Vinkelhållare	Panel bracket		
2	2				9897-0820-16	Skruv	Screw		
3	2				9739-0831-22	Mutter	Nut		
9	1				1134-4077-01	Gasreglage	Throttle control		
10	1				1134-4078-01	Knopp	Knob		
11	1				1134-0240-00	Ansattsskruv	Shoulder screw		
12	2				1134-4242-01	Distansbricka	Spacer washer		
13	1				9694-0001-00	Fjäderbricka	Washer		
14	1				9747-0831-02	Mutter	Lock nut		
15	1				1134-4923-01	Gaswire	Throttle cable		L1 = 880 mm
16	1				9500-9991-00	Wireklämma	Cable clamp		
17	1				9943-0516-16	Skruv	Screw		
25	1				1134-6328-01	Frontfäste	Panel bracket-front		
26	2				9893-0616-16	Skruv	Screw		
27	1				1134-6327-01	Frontplåt	Front plate		
28	4				9893-0616-16	Skruv	Screw		
34	1				1134-2871-03	Relä	Relay		
35	1				1134-2871-01	Relä	Relay		
36	2				9997-0512-16	Skruv	Screw		
37	2				9739-0531-22	Mutter	Nut		
38	1				1134-6096-08	Kassett	Dashboard		
39	4				9946-0525-16	Skruv	Screw		
41	1				1134-4129-01	Täckbricka	Cover		
42	1				1134-4908-01	Tändningslås	Ignition switch		
46	1				9400-0296-01	Dragströmbrytare	Switch		
47	2				9699-0090-02	Planbricka	Flat washer		
48	4				9400-0282-01	Brytare m.diod	Switch w.diode		
49	1				9400-0280-02	Vippa-farthållare	Cover-cruise control		
50	1				9400-0280-03	Vippa-höjdställning	Cover-height adjust		
51	1				9400-0280-01	Vippa-kraftuttag	Cover-PTO		
52	1				9400-0280-04	Vippa-redskap bak	Cover-rear tools		
53	1				9400-0283-01	Brytare	Switch		
54	1				9400-0280-05	Vippa-12V	Cover-12V		
55	1				1134-6097-01	Timräknare	Hour meter		
99	1				9400-0290-01	Verktyg f.vippa	Tool for cover		Tillbehör/Accessory



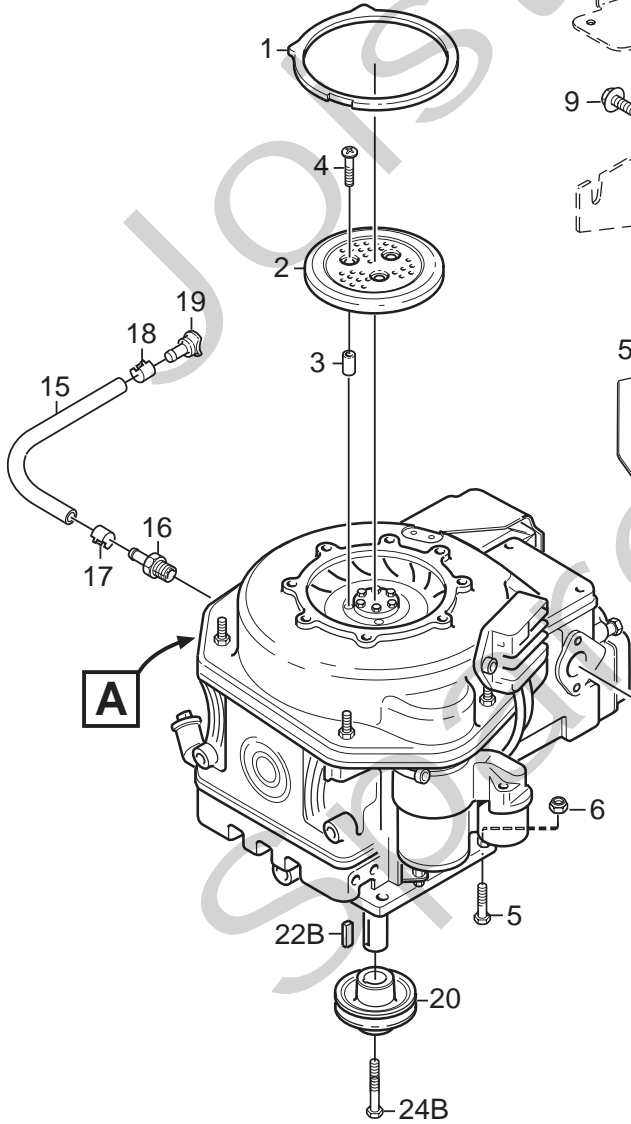
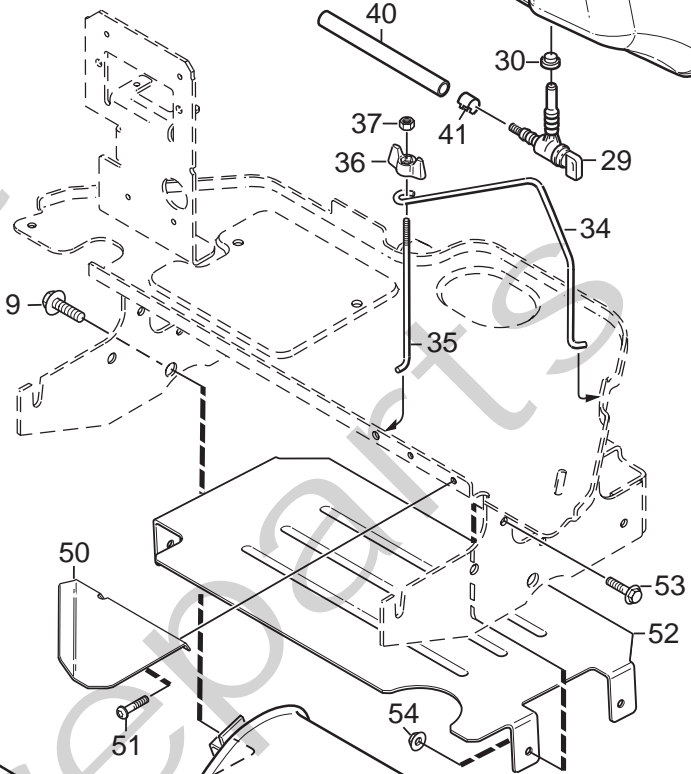
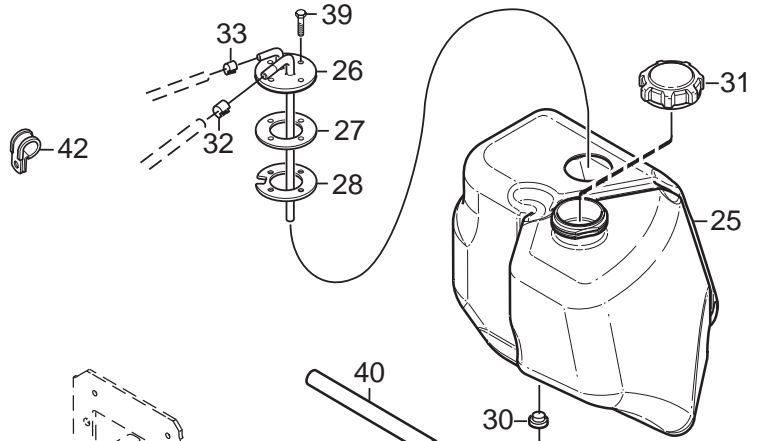
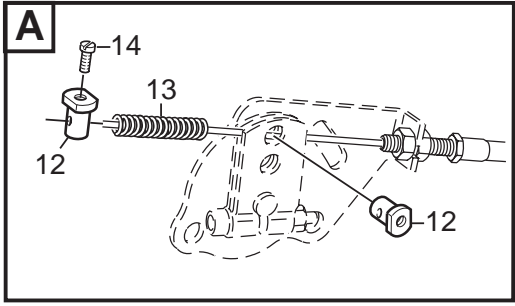
Utgåva Issue 2008- 11		Bildnr Picture No 2206A		PARK 4WD PRESTIGE- DIESEL FOTREGLAGE		PARK 4WD PRESTIGE- DIESEL FOOT CONTROLS		Sida Page 128	
Pos. Fig.	Antal/Quantity			Art nr Part No	Benämning	Description	Sats Kit	Anmärkning Notes	
	6185	6181							
1	1	1		1134- 5655- 01	Broms/kopplingspedal.....	Brake/clutch pedal.....		Sats 4 st/kit of 4	
2	1	1		1134- 9024- 01	Lager.....	Bearing.....			
3	1	1		1134- 5677- 02	Distans.....	Spacer.....			
4	1	1		9997- 1070- 12	Skruv.....	Screw.....			
5	1	1		9699- 0030- 02	Planbricka.....	Flat washer.....			
6	1	1		9739- 1031- 22	Mutter.....	Nut.....			
7	1	1		1134- 6005- 01	Wire.....	Cable.....			
8	1	1		4231- 0013- 00	Fjäder.....	Spring.....			
9A	1			1134- 6467- 01	Wirefäste.....	Cable holder.....			
9B		1		1134- 6052- 01	Wirefäste.....	Cable holder.....			
10	2	2		9959- 0820- 16	Skruv.....	Screw.....			
11	1	2		9739- 0831- 22	Mutter.....	Nut.....			
12	1			9747- 0831- 02	Mutter.....	Lock nut.....			
13	1	1		1134- 6353- 01	Drivpedal.....	Drive pedal.....			
14	2	2		1134- 6313- 01	Lager.....	Bearing.....			
15	2	2		1134- 2700- 01	Fäste.....	Bracket.....			
16	2	2		9959- 0820- 16	Skruv.....	Screw.....			
17	2	2		9739- 0831- 22	Mutter.....	Nut.....			
18	1	1		9997- 0835- 16	Skruv.....	Screw.....			
19	1	1		9739- 0831- 22	Mutter.....	Nut.....			
22	1	1		1134- 2766- 05	Reglagewire.....	Speed control cable.....			
23	2	2		9570- 0001- 00	Vinkellänk.....	Elbow link.....			
24	2	2		9739- 0531- 22	Mutter.....	Nut.....			
25	2	2		9747- 0531- 02	Mutter.....	Nut.....			
27	1	1		1134- 6317- 01	Wirefäste.....	Cable holder.....			
28	2	2		9959- 0620- 16	Skruv.....	Screw.....			
29	2	2		9739- 0631- 22	Mutter.....	Nut.....			
30	1	1		1134- 3395- 01	Fäste.....	Attachment.....			
31	2	2		9959- 0820- 16	Skruv.....	Screw.....			
32	2	2		9739- 0831- 22	Mutter.....	Nut.....			
33	1	1		1134- 2021- 01	Växelwirefäste.....	Clamp.....			
34	1	1		1134- 5101- 01	Bromsstång.....	Brake rod.....			
36	1	1		1134- 3808- 01	Knopp.....	Knob.....			
37	1	1		1131- 1497- 01	Fjäder.....	Spring.....			
38	1	1		1134- 4002- 01	Fäste.....	Brake rod attachment.....			
39	3	3		9838- 9516- 12	Skruv.....	Screw.....			
40		1		1134- 4944- 01	Plåt.....	Stop plate.....			
43	2	2		1134- 6340- 02	Fotstöd.....	Foot rest.....			
44	4	4		9959- 0620- 16	Skruv.....	Screw.....			
45	4	4		9739- 0631- 22	Mutter.....	Nut.....			
50		1		1134- 6356- 01	Farthållarplåt.....	Speed control plate.....			
51		1		1134- 2859- 02	Magnet kpl.....	Magneto assy.....			
51A		1		1134- 2858- 01	Fjäder.....	Spring.....			
52		1		1134- 6358- 01	Arm.....	Lever.....			
53		1		9699- 0036- 02	Planbricka.....	Flat washer.....			
54		1		9650- 0012- 04	Seegersäkring.....	Circlip.....			
55		2		9570- 0001- 00	Vinkellänk.....	Elbow link.....			
56		2		9739- 0531- 22	Mutter.....	Nut.....			
57		2		9747- 0531- 02	Mutter.....	Nut.....			
58		1		1134- 6361- 02	Skruvstång.....	Screw rod.....			
59		1		9897- 0640- 12	Skruv.....	Screw.....	L = 40 mm		
60		1		9897- 0616- 16	Vagnsbult.....	Carriage bolt.....	L = 16 mm		
61		2		9739- 0631- 22	Mutter.....	Nut.....			



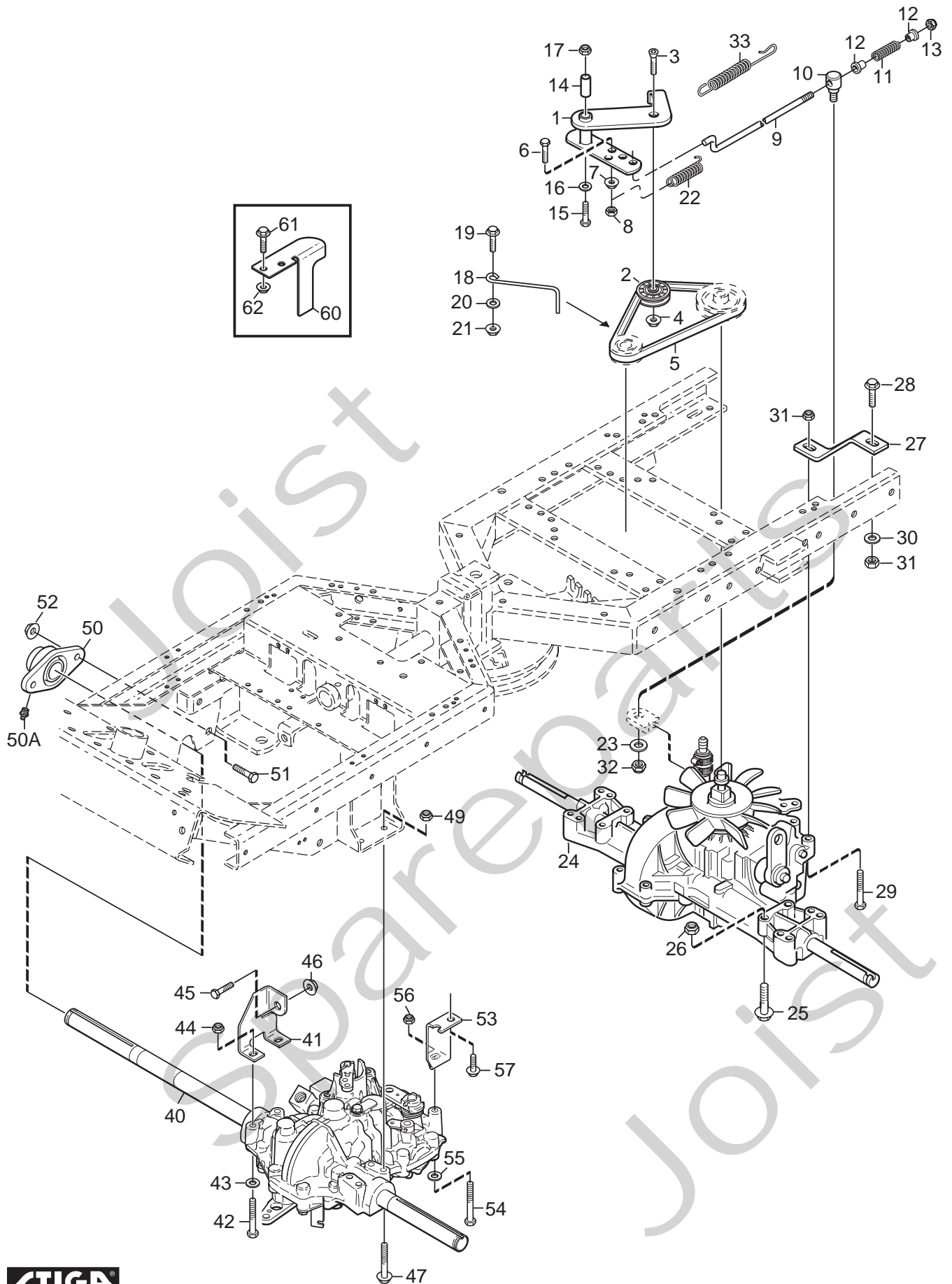
Utgåva Issue 2008- 11		Bildnr Picture No 2020D		PARK 4WD ELUTRUSTNING		PARK 4WD EL. EQUIPMENT		Sida Page 130	
Pos. Fig.	Antal/Quantity			Art nr Part No	Benämning	Description	Sats Kit	Anmärkning Notes	
	6185	6181							
1	1	1		1134-5751-01	Batteri	Battery			
2	1	1		1134-5994-01	Batteribygel	Battery loop.....			
3	1	1		1134-5995-01	Batteribygel	Battery loop.....			
4	1	1		1134-4481-02	Vingmutter.....	Wing nut			
5	1	1		9747-0631-02	Låsmutter	Lock nut			
6	1	1		1134-2962-01	Solenoid kpl	Solenoid assy.....			
7	2	2		9794-5131-02	• Mutter.....	• Nut			
8	2	2		9852-8013-16	Skruv	Screw			
9	2	2		9699-0060-02	Planbricka.....	Flat washer.....			
10	1	1		1134-4970-02	Kabel- röd	Cable- red			
11	1	1		1134-3491-01	Säkringshållare.....	Fuse holder			
12	1	1		1134-3496-01	Säkring	Fuse	10A		
12	1	1		1134-3496-06	Säkring	Fuse	20A		
12	1	1		1134-3496-07	Säkring	Fuse	30A		
13	1	1		1134-3631-01	Lock-säkringsdosa.....	Cover- fuse holder.....			
14		1		1134-3399-01	Brytare.....	Switch			
14	1			1134-3399-02	Brytare.....	Switch			
15	2	2		9943-0516-16	Skruv	Screw			
16	1	1		1134-4172-01	Strålkastare kpl.....	Headlamp assy.....			
16A	1	1		9400-0293-01	• Glödlampa	• Bulb	12V - 21W		
17	2	2		9849-7819-16	Skruv	Screw			
18	2	2		1134-4177-01	Clips	Clips			
19B	1	1		1134-6291-01	Honkontakt	Female terminal.....			
22A	1			1134-0234-02	Batterikabel (+).....	Battery cable (+).....			
22B		1		1134-6067-01	Kabel (+).....	Cable (+)			
23	1	1		1134-2310-01	Batteriskydd.....	Guard cap			
24	7	7		9579-0003-00	Buntband	Cable holder			
27	2	2		9849-8006-16	Skruv	Screw			
40		1		1134-6391-01	Kablage.....	Cable harness			
40	1			1134-6441-01	Kablage.....	Harness.....			



Utgåva Issue 2008- 11		Bildnr Picture No 2037A		PARK 4WD PRESTIGE MOTOR (Kohler)		PARK 4WD PRESTIGE ENGINE (Kohler)		Sida Page 132	
Pos. Fig.	Antal/Quantity				Art nr Part No	Benämning	Description	Sats Kit	Anmärkning Notes
	6185								
2	4				9955-3725-16	Skruv.....	Screw.....		
3	1				1134-6021-01	Grenrör.....	Exhaust pipe.....		
4	1				9578-0011-01	Klämma.....	Clamp.....		
5	1				1134-6024-01	Ljuddämpare.....	Muffler.....		
6	1				9959-0820-16	Skruv.....	Screw.....		
7	1				9739-0831-22	Mutter.....	Nut.....		
8	1				1134-5827-01	Oljeavtapning kpl.....	Oil drain assy.....		Inkl. pos 9 - 12
9	1				1134-5825-01	• Nippel.....	• Nipple.....		
10	1				9578-0023-04	• Slangklämma.....	• Hose clamp.....		
11	1				1134-3499-02	• Slangklämma.....	• Hose clamp.....		
12	1				1134-5826-01	• Plugg.....	• Plug.....		
13	1				1134-6137-01	Motorremskiva.....	Engine pulley.....		
14	1				1134-6419-01	Motorremskiva.....	Engine pulley.....		
15	1				9600-0251-01	Kil.....	Key.....		
16	1				1134-5017-01	Bricka.....	Washer.....		
17	1				9987-5332-16	Skruv.....	Screw.....		
18	1				1134-5938-01	Bränsletank.....	Fuel tank.....		
19	1				1134-5532-01	Tanklock.....	Fuel tank cap.....		
20	1				1134-3224-01	Bensinkran.....	Fuel shut-off valve.....		
21	1				1134-3225-01	Gummibussning.....	Grommet.....		
22	1				1134-2975-13	Bensinslang.....	Fuel hose.....		L = 1100
23	1				9578-0023-02	Slangklämma.....	Hose clamp.....		
24	1				9578-0023-02	Slangklämma.....	Hose clamp.....		
25	1				1134-5942-01	Tankbygel.....	Tank loop.....		
26	1				1134-5996-01	Tankbygel.....	Tank loop.....		
27	1				1134-4481-02	Vingmutter.....	Wing nut.....		
28	1				9747-0631-02	Låsmutter.....	Lock nut.....		
29	1				9579-0003-00	Buntband.....	Cable holder.....		
30	1				9893-0616-16	Skruv.....	Screw.....		
32	2				1134-4930-01	Skruv.....	Screw.....		
50	1				1134-6234-01	Deflektor.....	Heat deflector.....		
51	2				9943-0516-16	Skruv.....	Screw.....		
52	1				1134-6251-01	Deflektor.....	Heat deflector.....		
53	4				9959-0612-16	Skruv.....	Screw.....		
54	4				9739-0631-22	Mutter.....	Nut.....		

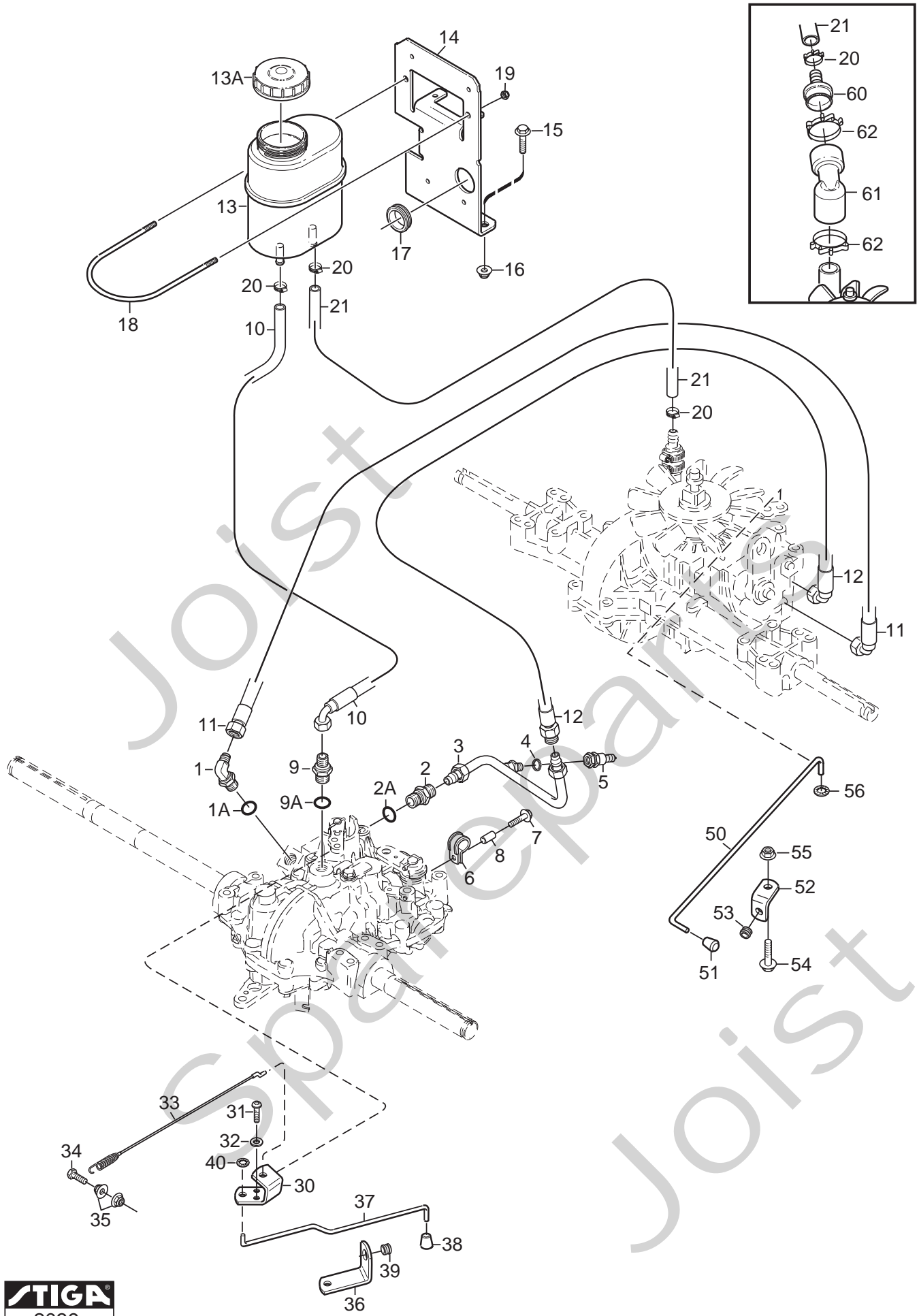


Utgåva Issue		Bildnr Picture No		PARK 4WD DIESEL MOTOR (Hatz)		PARK 4WD DIESEL ENGINE (Hatz)		Sida Page	
2008- 11		2023C						134	
Pos. Fig.	Antal/Quantity				Art nr Part No	Benämning	Description	Sats Kit	Anmärkning Notes
	6181								
X 1	1				1134-6463-01	Tätningring	Seal ring		
2	1				1134-4962-01	Fläktskydd	Fan cover		
3	3				1134-4963-01	Distans	Spacer		
4	3				9948-0630-16	Skruv	Screw		
5	4				9997-1050-16	Skruv	Screw		
6	4				9731-1031-22	Mutter	Nut		
7	1				1134-6012-01	Grenrör	Exhaust pipe		
8	1				1134-6024-01	Ljuddämpare	Muffler		
9	2				9959-0820-16	Skruv	Screw		
10	2				9739-0831-22	Mutter	Nut		
11	1				9578-0011-01	Klämma	Clamp		
12	2				1134-6118-01	Skruvnippel	Cable nipple		
13	1				1134-6126-01	Tryckfjäder	Comp. spring		
14	1				9997-0412-16	Skruv	Screw		
15	1				1134-5827-04	Oljeavtappning kpl	Oil drain assy		Inkl. pos 16 - 19
16	1				1134-5825-01	• Nippel	• Nipple		
17	1				9578-0023-04	• Slangklämma	• Hose clamp		
18	1				1134-3499-02	• Slangklämma	• Hose clamp		
19	1				1134-5826-01	• Plugg	• Plug		
20	1				1134-6139-01	Motorremskiva	Engine pulley		
22 B	1				9600-0251-00	Plattkil	Key		L = 3/4"
24 B	1				9987-5364-12	Skruv	Screw		L = 64 mm
25	1				1134-5938-02	Bränsletank	Fuel tank		
26	1				1134-6130-01	Bränslegenomföring	Fuel connection		
27	1				1134-6136-01	Packning	Sealing		
28	1				1134-6134-01	Fläns	Flange		
29	1				1134-3224-01	Bensinkran	Fuel shut-off valve		
30	1				1134-3225-01	Gummibussning	Grommet		
31	1				1134-5532-01	Tanklock	Fuel tank cap		
32	1				9578-0023-02	Slangklämma	Hose clamp		
33	1				9578-0023-07	Slangklämma	Hose clamp		
34	1				1134-5942-01	Tankbygel	Tank loop		
35	1				1134-5996-01	Tankbygel	Tank loop		
36	1				1134-4481-02	Vingmutter	Wing nut		
37	1				9747-0631-02	Låsmutter	Lock nut		
38	1				9959-0820-16	Skruv	Screw		
39	4				9997-0625-16	Skruv	Screw		
40	ERF				1134-2975-15	Bränsleslang	Fuel hose		Cut to desired length
41	1				9578-0023-02	Slangklämma	Hose clamp		
42	1				1134-0994-02	Rörklammer	Tube clamp		
43	2				9939-0820-16	Skruv	Screw		
50	1				1134-6234-01	Deflektor	Heat deflector		
51	2				9943-0516-16	Skruv	Screw		
52	1				1134-6251-01	Deflektor	Heat deflector		
53	4				9959-0612-16	Skruv	Screw		
54	4				9739-0631-22	Mutter	Nut		

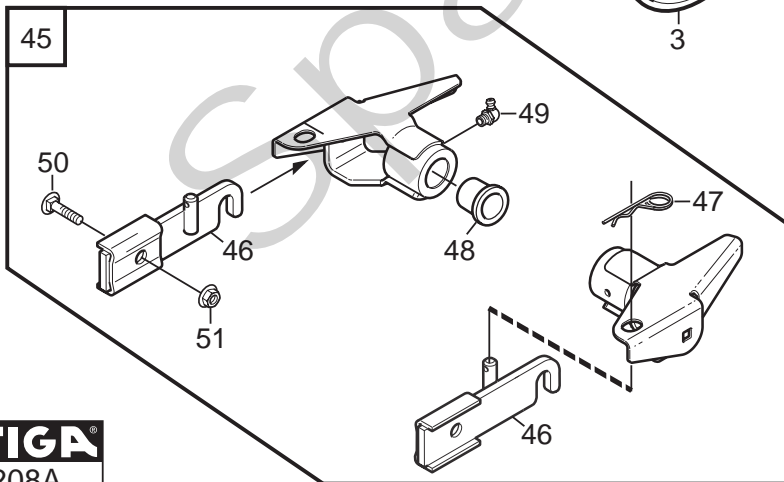
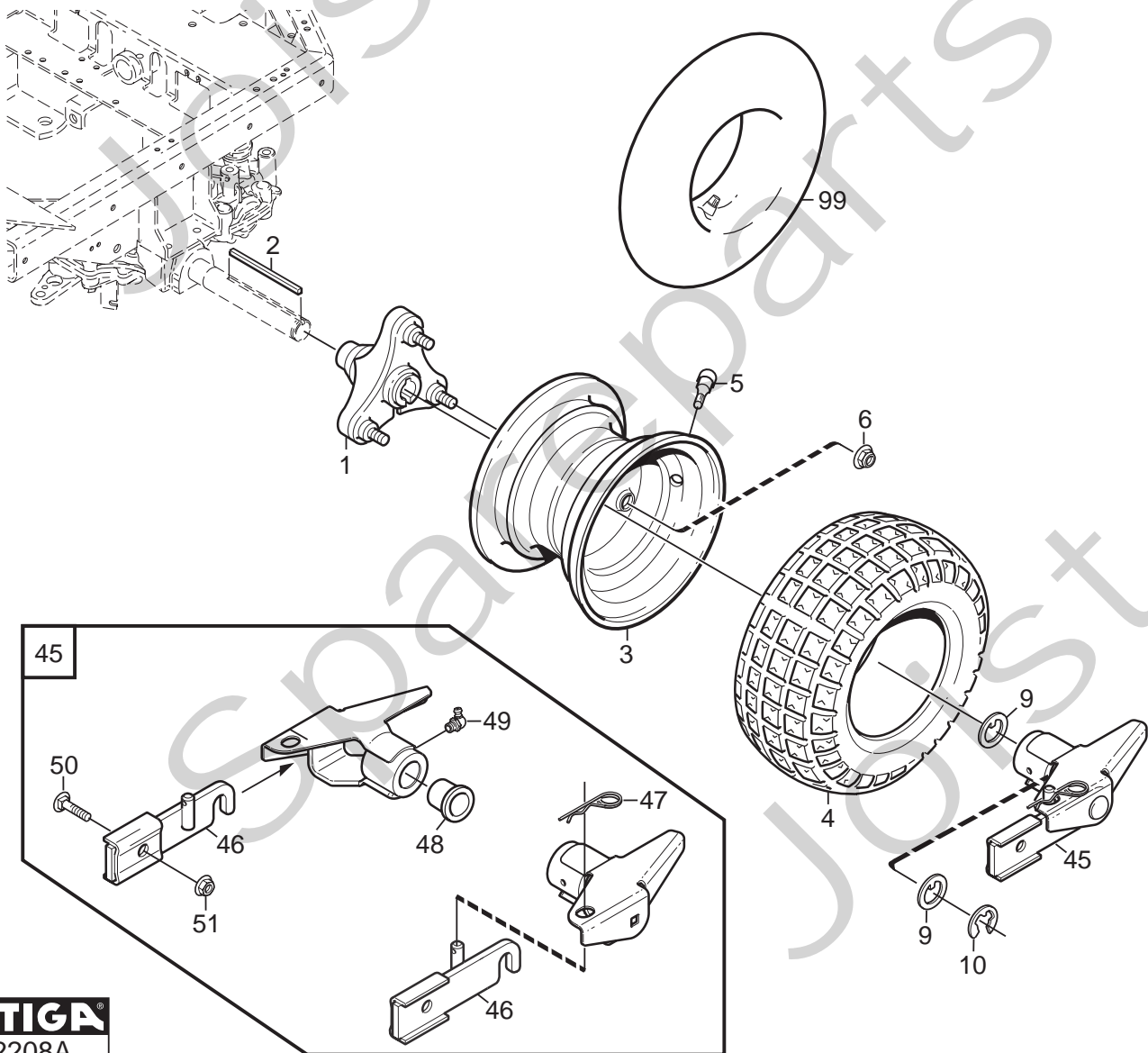
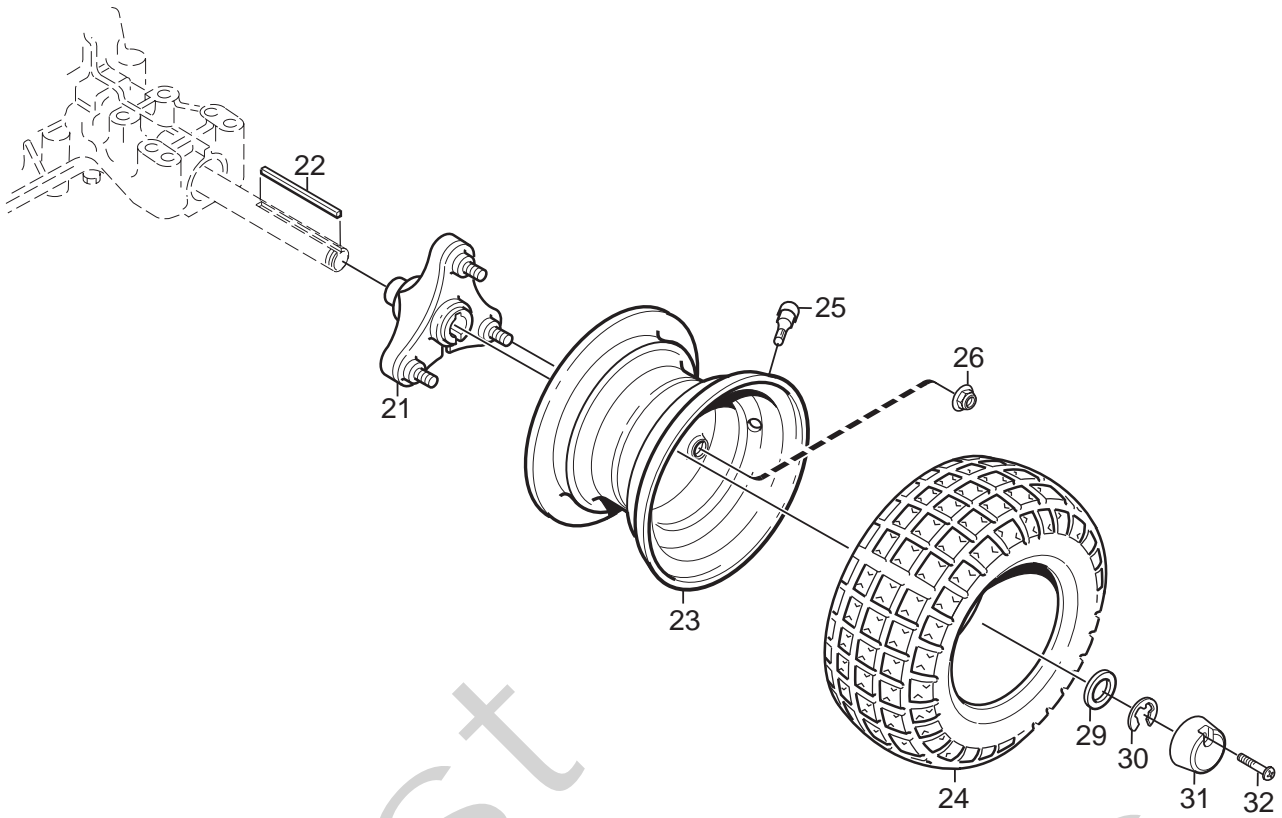


Utgåva Issue 2008- 11		Bildnr Picture No 2038A		PARK 4WD PRESTIGE- DIESEL TRANSMISSION (mek)		PARK 4WD PRESTIGE- DIESEL TRANSMISSION (mech)		Sida Page 136	
Pos. Fig.	Antal/Quantity			Art nr Part No	Benämning	Description	Sats Kit	Anmärkning Notes	
	6185	6181							
1	1	1		1134- 4000- 02	Spännarm	Tension arm		= 9585- 0091- 01	
2	1	1		1134- 3459- 01	Spännrulle	Tension roller			
3	1	1		9924- 1035- 16	Skruv	Screw			
4	1	1		9799- 1031- 02	Mutter	Nut			
5	1	1		1134- 9058- 01	Drivrem	V- belt.....			
6	1	1		9997- 0625- 16	Skruv	Screw			
7	1	1		9739- 0631- 22	Mutter	Nut			
8	1	1		9747- 0631- 02	Låsmutter	Lock nut			
9	1	1		1134- 3377- 02	Reglagestång	Control rod.....			
10	1	1		1134- 4171- 01	Ledtapp	Pivot pin.....			
11	1	1		1134- 4183- 01	Tryckfjäder	Compression spring.....			
12	2	2		1134- 3456- 01	Bussning	Bushing.....			
13	1	1		9747- 0631- 02	Låsmutter	Lock nut			
14	1	1		1134- 1565- 08	Distans	Spacer			
15	1	1		9997- 0870- 16	Skruv	Screw			
16	1	1		9699- 0056- 02	Planbricka.....	Flat washer.....			
17	1	1		9747- 0831- 02	Mutter	Lock nut			
18	1			1134- 3289- 02	Remstyrning	Belt guide			
19	1			9959- 0820- 16	Skruv	Screw			
20	1			9699- 0056- 02	Planbricka.....	Flat washer.....			
21	1			9739- 0831- 22	Mutter	Nut			
22	1	1		1134- 6414- 01	Fjäder.....	Spring			
23	1	1		9699- 0060- 02	Planbricka.....	Flat washer.....			
24	1	1		1134- 6129- 01	Transaxel kpl.....	Transaxle assy.....	Kanzaki K574F 4- port Kanzaki K574G 2- port		
24	1	1		1134- 6394- 01	Transaxel kpl.....	Transaxle assy.....			
25	4	4		9960- 0860- 12	Skruv	Screw			
26	4	4		9747- 0831- 02	Mutter	Lock nut			
27	1	1		1134- 3913- 01	Reaktionsstag	Strut			
28	1	1		9959- 0825- 16	Skruv	Screw			
29	1	1		9997- 0845- 12	Skruv	Screw			
30	1	1		9699- 0090- 02	Planbricka.....	Flat washer.....			
31	2	2		9747- 0831- 02	Mutter	Lock nut			
32	1	1		9747- 0631- 02	Låsmutter	Lock nut			
33	1	1		4231- 0013- 00	Fjäder.....	Spring			
40	1	1		1134- 6029- 01	Motoraxel- fram	Transaxle- front	Kanzaki KTM 10M		
41	1	1		1134- 5650- 01	Transaxelfäste	Transaxle bracket			
42	2	2		9997- 0860- 16	Skruv	Screw			
43	2	2		9699- 0090- 02	Planbricka.....	Flat washer.....			
44	2	2		9747- 0831- 02	Mutter	Lock nut			
45	1	1		9959- 1025- 16	Skruv	Screw			
46	1	1		9731- 1031- 22	Mutter	Nut			
47	2	2		9960- 0860- 12	Skruv	Screw			
49	2	2		9747- 0831- 02	Mutter	Lock nut			
50	1	1		1134- 5703- 01	Flänslagerenhet	Flange bearing.....			
50A	1	1		9501- 0500- 00	- Smörjnipfel	- Grease joint.....			
51	2	2		9997- 1040- 16	Skruv	Screw			
52	2	2		9731- 1031- 22	Mutter	Nut			
53	1	1		1134- 5670- 01	Reaktionsstag	Strut			
54	1	1		9997- 0880- 16	Skruv	Screw			
55	1	1		9699- 0090- 02	Planbricka.....	Flat washer.....			
56	1	1		9747- 0831- 02	Mutter	Lock nut			
57	2	2		9945- 0816- 16	Skruv	Screw			
60		1		1134- 6047- 01	Remstyrning	Belt guide			
61		1		9959- 1025- 16	Skruv	Screw			
62		1		9739- 1031- 22	Mutter	Nut			

X

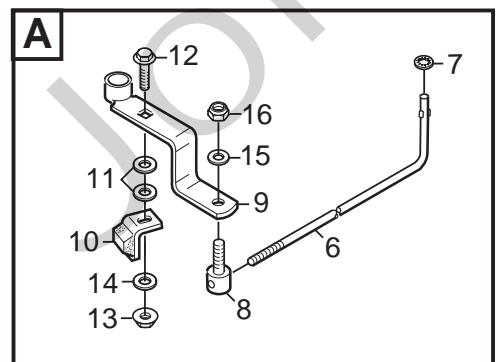
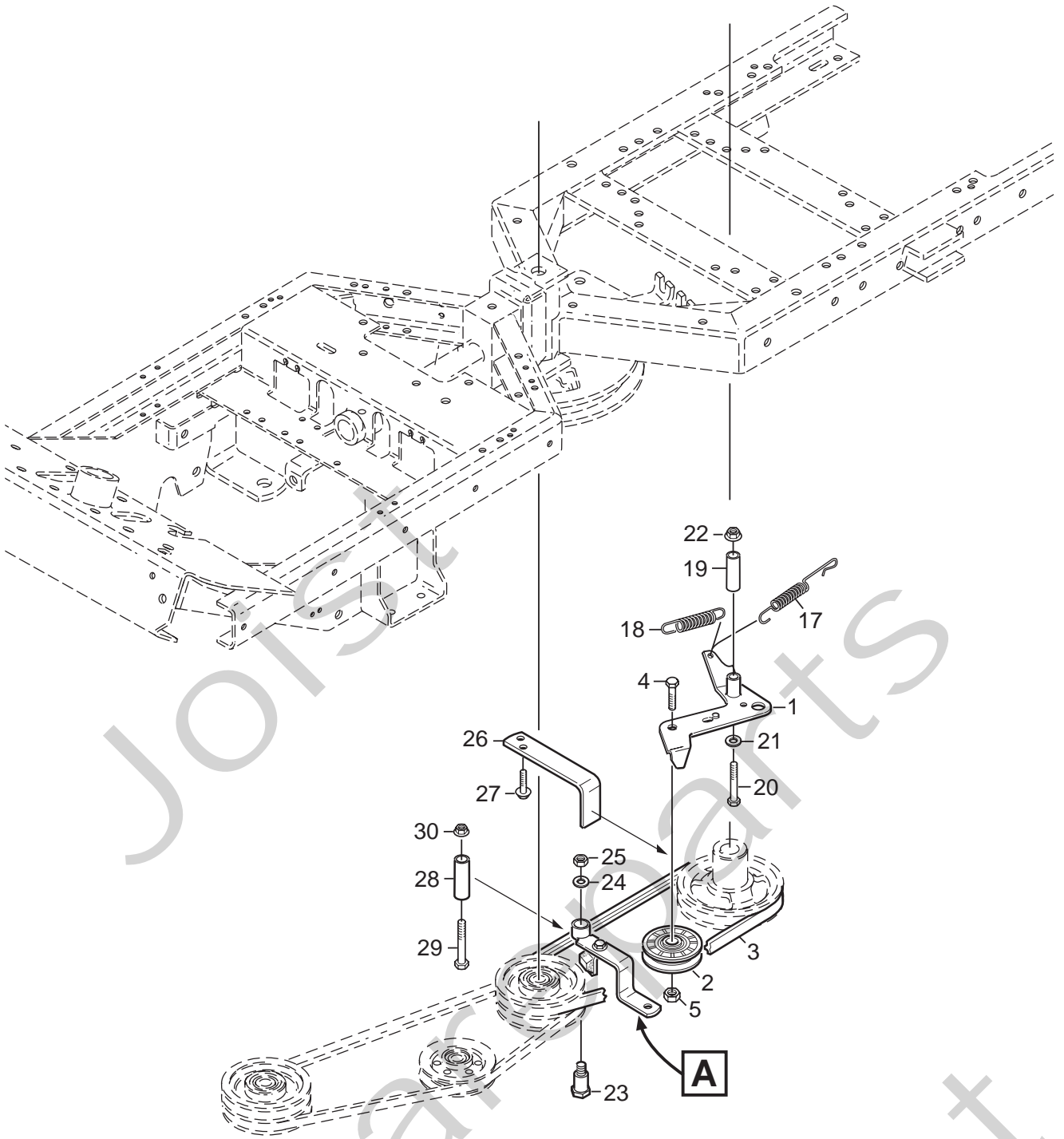


Utgåva Issue		Bildnr Picture No		PARK 4WD PRESTIGE- DIESEL TRANSMISSION (hydr)		PARK 4WD PRESTIGE- DIESEL TRANSMISSION (hydr)		Sida Page	
2008- 11		2039						138	
Pos. Fig.	Antal/Quantity			Art nr Part No	Benämning	Description	Sats Kit	Anmärkning Notes	
	6185	6181							
1	1	1		1134- 6044- 01	Vinkeladapter	Angle coupling		3/4" x 9/16"	
1A	1	1		9404- 0029- 01	• O- ring	• O- ring			
2	1	1		1134- 5875- 01	Skäringskoppling	Hydraulic coupling		3/4"	
2A	1	1		9404- 0029- 01	• O- ring	• O- ring			
3	1	1		1134- 6039- 01	Hydraulrör	Hydraulic pipe			
4	1	1		1134- 4948- 01	Tredobricka	Seal washer		1/4"	
5	1	1		1134- 6042- 01	Snabbkoppling- hane	Quick coupling- male			
6	1	1		9578- 0028- 01	Rörklammer	Tube clamp			
7	1	1		9959- 0825- 16	Skruv	Screw			
8	1	1		1134- 1565- 09	Distans	Spacer			
9	1	1		1134- 5809- 01	Adapter	Hydraulic coupling		3/4" x 9/16"	
9A	1	1		9404- 0029- 01	• O- ring	• O- ring			
10	1	1		1134- 5758- 04	Hydraulslang	Hydraulic tube			
11	1	1		1134- 6048- 01	Hydraulslang	Hydraulic tube			
12	1	1		1134- 6043- 01	Hydraulslang	Hydraulic tube			
13	1	1		1134- 6011- 01	Hydraultank	Hydraulic oil tank			
13A	1	1		1134- 5965- 01	• Tanklock	• Tank cap			
14	1	1		1134- 5941- 01	Tankkonsol	Tank bracket			
15	2	2		9959- 0820- 16	Skruv	Screw			
16	2	2		9739- 0831- 22	Mutter	Nut			
17	1	1		1134- 3203- 01	Kabelgenomföring	Grommet			
18	1	1		1134- 5943- 01	Tankbygel	Tank loop			
19	2	2		9747- 0631- 02	Låsmutter	Lock nut			
20	3	3		9578- 0023- 04	Slangklämma	Hose clamp			
21	1			1134- 2779- 02	Slang	Tube		L = 260 mm	
21	1	1		1134- 2779- 06	Slang	Tube		L = 230 mm	
30	1	1		1134- 6162- 01	Fäste	Bracket			
31	2	2		9939- 0612- 16	Skruv	Screw			
32	2	2		9699- 0025- 02	Planbricka	Washer			
33	1	1		1134- 6163- 01	Wire	Cable			
34	1	1		9997- 0835- 12	Skruv	Screw			
35	2	2		9739- 0831- 22	Mutter	Nut			
36	1	1		1134- 6084- 01	Reglagekonsol	Control bracket			
37	1	1		1134- 6083- 01	Reglagestång	Control rod			
38	1	1		1134- 4014- 01	Plastknopp	Plastic button			
39	1	1		1134- 2790- 01	Gummihylsa	Rubber grommet			
40	1	1		9675- 0009- 02	Starlock	Starlock			
50	1	1		1134- 4015- 01	Dragstång	Pull rod			
51	1	1		1134- 4014- 01	Plastknopp	Plastic button			
52	1	1		1134- 4713- 01	Vinkel	Bracket			
53	1	1		1134- 2790- 01	Gummihylsa	Rubber grommet			
54	1	1		9959- 0820- 16	Skruv	Screw			
55	1	1		9739- 0831- 22	Mutter	Nut			
56	1	1		9675- 0009- 02	Starlock	Starlock			
60	1	1		1134- 6051- 01	Slangnippel	Hose nipple			
61	1	1		1134- 6050- 01	Böj	Elbow			
62		2		9578- 0023- 06	Slangklämma	Hose clamp			

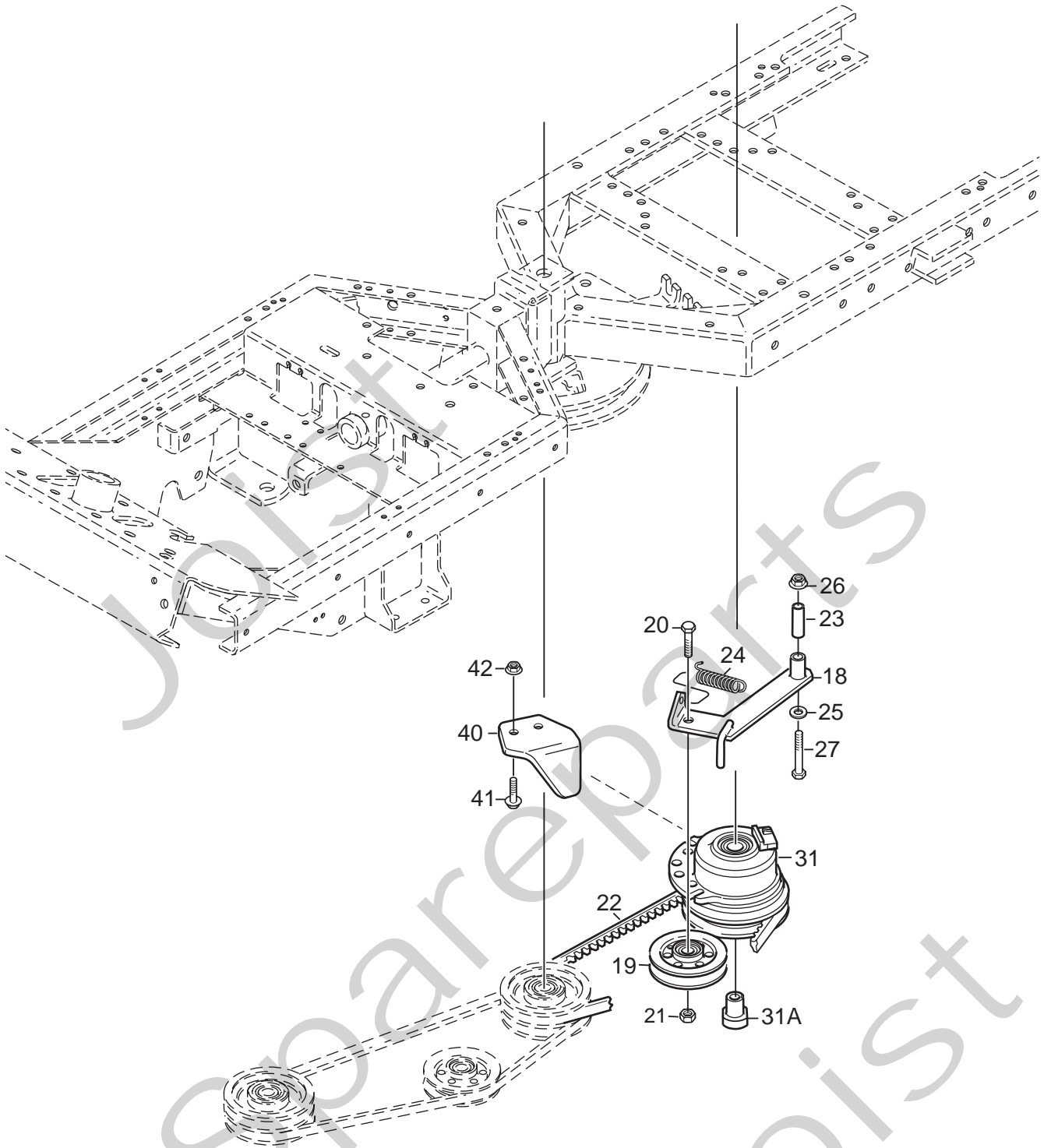


Utgåva Issue		Bildnr Picture No		PARK 4WD HJUL 16"		PARK 4WD WHEELS 16"		Sida Page	
2008- 11		2208A						140	
Pos. Fig.	Antal/Quantity				Art nr Part No	Benämning	Description	Sats Kit	Anmärkning Notes
	6181	6185							
1	2				1134-4844-03 Hjulnav	Wheel hub			
2	2				1134-3383-02 Kil	Key			
3	2				1134-4558-01 Fälg	Rim			
4	2				9545-0116-00 Däck	Tyre			16 x 7.50 - 8
5	2				9545-0500-00 Ventil	Valve			
6	6				9731-1031-22 Mutter	Nut			
9	4				1134-5797-01 • Bricka	• Washer			
10	2				9653-0002-04 • Spärryttare	• Lock ring			
21	2				1134-4844-02 Hjulnav	Wheel hub			
22	2				1134-2471-01 Kil	Key			
23	2				1134-4558-01 Fälg	Rim			
24	2				9545-0116-00 Däck	Tyre			16 x 7.50 - 8
25	2				9545-0500-00 Ventil	Valve			
26	6				9731-1031-22 Mutter	Nut			
29	2				9699-0042-02 Planbricka	Flat washer			
30	2				9653-0001-04 Spärryttare	Lock ring			
31	2				1134-4796-01 Navkapsel	Hub cap			
32	2				9947-0540-19 Skruv	Screw			
45	1				13-0993-61 Snabbfäste kpl	Quick connections			Inkl. pos 9,10,46-51
46	1				1134-7465-01 • Fästen kpl, vä+hö	• Attachment kit, LH+RH			Inkl. pos 50-51
47	2				9598-2001-02 • Låsnål	• Spring pin			
48	4				1134-5686-01 • Lagerbussning	• Bearing bush			
49	2				9501-0502-00 • Smörjnippel	• Grease joint			
50	2				9898-1035-16 •• Skruv	•• Screw			
51	2				9739-1031-22 •• Mutter	•• Nut			
99					9545-0203-00 Innerslang	Inner tube			Reservdel/spare part

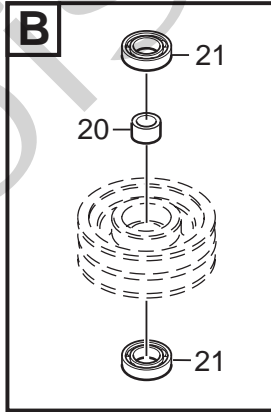
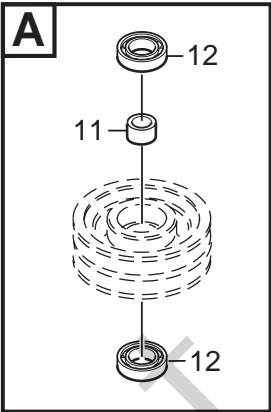
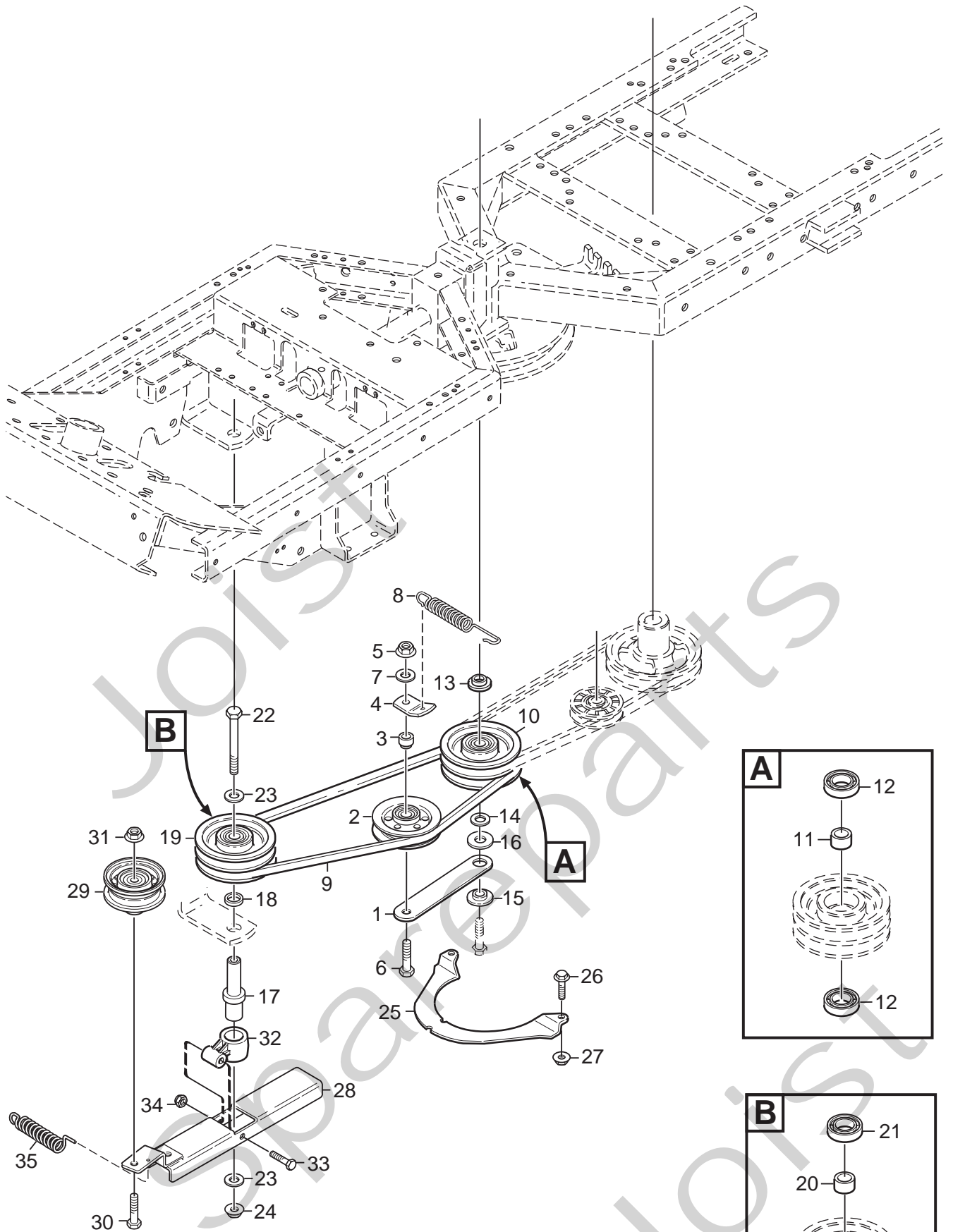
X
X



Utgåva Issue 2008- 11		Bildnr Picture No 2030		PARK 4WD PRESTIGE KRAFTUTTAG 1		PARK 4WD PRESTIGE POWER TAKE- OFF 1		Sida Page 142	
Pos. Fig.	Antal/Quantity				Art nr Part No	Benämning	Description	Sats Kit	Anmärkning Notes
	6185								
1	1				1134-2018-02	Spännarm	Tension arm		
2	1				1134-9027-02	Spännrulle- grå	Tension roller- grey		
3	1				1134-9071-01	Drivrem	V- belt		= 9585- 0129- 01
4	1				9997-1030-16	Skruv	Screw		
5	1				9799-1031-02	Mutter	Nut		
6	1				1134-4162-01	Bromsstång	Brake rod		
7	1				9675-0008-02	Starlock	Locking washer		
8	1				1134-4170-01	Nippel	Nipple		
9	1				1134-4111-01	Bromsarm	Brake arm		
10	1				1134-4164-03	Bromsklots	Brake pad		
11	2				9699-0035-02	Planbricka	Flat washer		
12	1				9897-0825-16	Skruv	Screw		
13	1				9747-0831-02	Mutter	Lock nut		
14	1				9699-0090-02	Planbricka	Flat washer		
15	1				9699-0025-02	Planbricka	Washer		
16	1				9747-0631-02	Låsmutter	Lock nut		
17	1				4231-0013-00	Fjäder	Spring		
18	1				1134-4231-01	Dragfjäder	Spring		
19	1				1134-1565-10	Distans	Spacer		
20	1				9997-0860-16	Skruv	Screw		
21	1				9699-0056-02	Planbricka	Flat washer		
22	1				9739-0831-22	Mutter	Nut		
23	1				1134-4163-01	Ansatsskruv	Shoulder bolt		
24	1				9699-0035-02	Planbricka	Flat washer		
25	1				9739-1031-22	Mutter	Nut		
26	1				1134-3958-01	Remstyrning	Belt guide		
27	2				9893-0616-16	Skruv	Screw		
28	1				1134-0041-03	Hylsa	Collar		
29	1				9997-1070-12	Skruv	Screw		
30	1				9739-1031-22	Mutter	Nut		



Utgåva Issue 2008- 11		Bildnr Picture No 2209A		PARK 4WD DIESEL KRAFTUTTAG 1		PARK 4WD DIESEL POWER TAKE- OFF 1		Sida Page 144	
Pos. Fig.	Antal/Quantity				Art nr Part No	Benämning	Description	Sats Kit	Anmärkning Notes
	6181								
18	1				1134-3658-02	Spännarm	Tensioning arm		= 9585-0088-00
19	1				1134-3663-01	Spännrulle	Tension wheel		
20	1				9997-1040-16	Skruv	Screw		
21	1				9739-1031-22	Mutter	Nut		
22	1				1134-9047-01	Drivrem	V- belt.....		
23	1				1134-1565-10	Distans	Spacer		
24	1				1134-3379-01	Fjäder.....	Spring		
25	1				9699-0056-02	Planbricka.....	Flat washer.....		
26	1				9739-0831-22	Mutter.....	Nut		
27	1				9997-0860-16	Skruv.....	Screw.....		
31	1				1134-3638-01	Magnetkoppling.....	Electric pto- clutch		
31 A	1				1134-5016-01	• Bussning.....	• Bushing.....		
40	1				1134-4924-01	Momentstag	Strut		
41	1				9959-1025-16	Skruv	Screw		
42	1				9739-1031-22	Mutter.....	Nut		



Utgåva Issue 2008- 11		Bildnr Picture No 2031A		PARK 4WD PRESTIGE- DIESEL KRAFTUTTAG 2		PARK 4WD PRESTIGE- DIESEL POWER TAKE- OFF 2		Sida Page 146	
Pos. Fig.	Antal/Quantity				Art nr Part No	Benämning	Description	Sats Kit	Anmärkning Notes
	6181	6185							
1	1				1134- 1730- 01	Spännhjularm	Tension wheel arm		
2	1				1134- 3663- 01	Spännrulle	Tension wheel		
3	1				1134- 1888- 05	Distans	Spacer		
4	1				1134- 1893- 01	Fjäderfäste	Spring attachment		
5	1				9739- 1031- 22	Mutter	Nut		
6	1				9997- 1060- 12	Skruv	Screw		
7	1				9699- 0035- 02	Planbricka	Flat washer		
8	1				1134- 5713- 01	Dragfjäder	Spring		
9	1				1134- 9098- 01	Drivrem	V- belt		
10	1				1134- 1769- 03	Centrumremskiva kpl.	Centre pulley assy		= 9585- 0148- 01
11	1				1134- 0051- 09	• Distans	• Spacer		
12	2				9549- 0019- 00	• Kullager	• Ball bearing		
13	1				1134- 5548- 01	Distans	Spacer		
14	1				9699- 0035- 02	Planbricka	Flat washer		
15	1				1134- 0222- 00	Bricka	Washer		
16	1				9699- 0109- 02	Planbricka	Flat washer		
17	1				1134- 5663- 01	Axel	Shaft		
18	1				1134- 0052- 00	Lagerdistans	Bearing spacer		
19	1				1134- 1769- 03	Centrumremskiva kpl.	Centre pulley assy		
20	1				1134- 0051- 09	• Distans	• Spacer		
21	2				9549- 0019- 00	• Kullager	• Ball bearing		
22	1				9997- 1011- 06	Skruv	Screw		
23	2				9699- 0030- 02	Planbricka	Flat washer		
24	1				9739- 1031- 22	Mutter	Nut		
25	1				1134- 3654- 01	Fingerskydd	Finger guard		
26	2				9959- 0612- 16	Skruv	Screw		
27	2				9739- 0631- 22	Mutter	Nut		
28	1				1134- 5660- 01	Spännarm	Tension arm		
29	1				1134- 5823- 01	Spännrulle	Tension roller		
30	1				9997- 1050- 16	Skruv	Screw		
31	1				9739- 1031- 22	Mutter	Nut		
32	1				1134- 6314- 01	Spännarmsfäste	Attachment		
33	1				9997- 0645- 12	Skruv	Screw		
34	1				9747- 0631- 02	Låsmutter	Lock nut		
35	1				1134- 5824- 01	Fjäder	Spring		