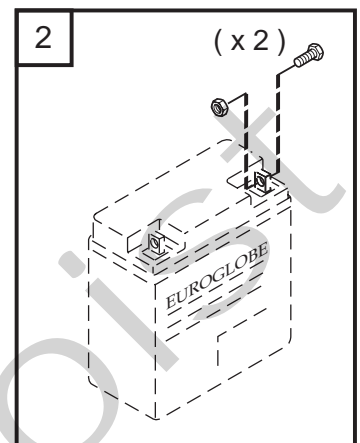
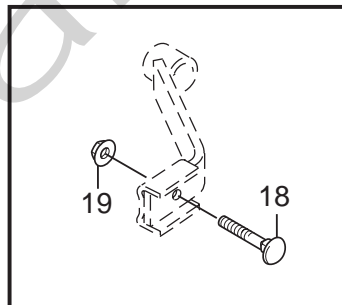
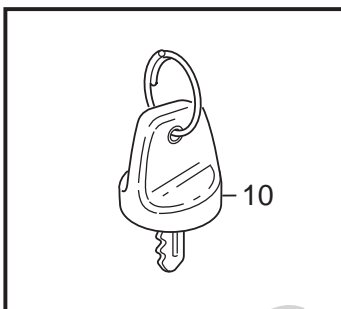
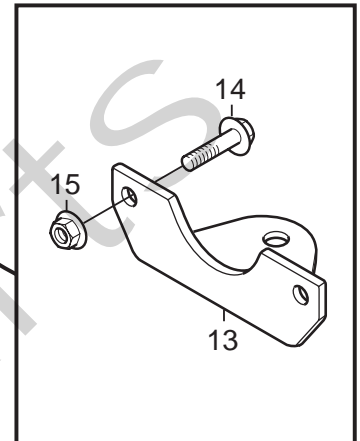
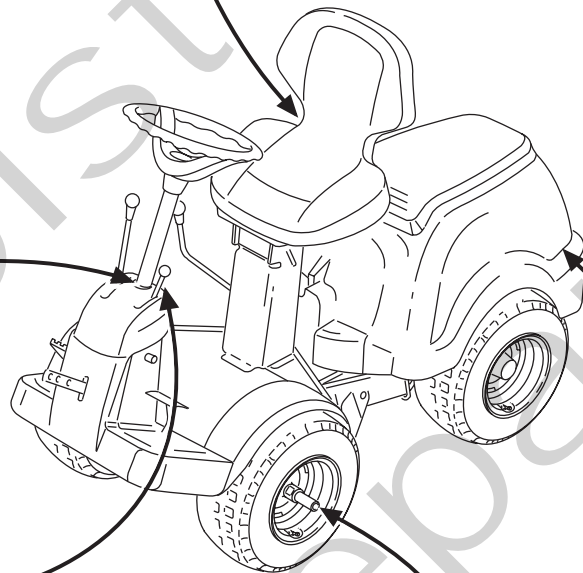
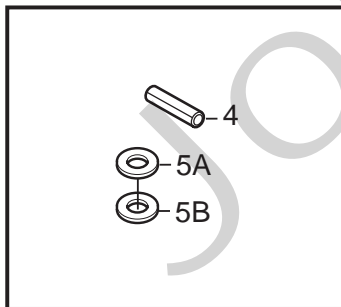
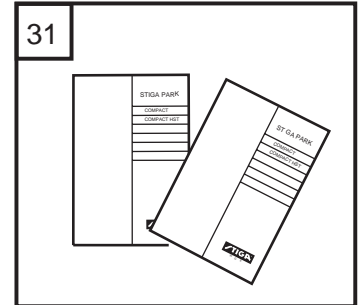
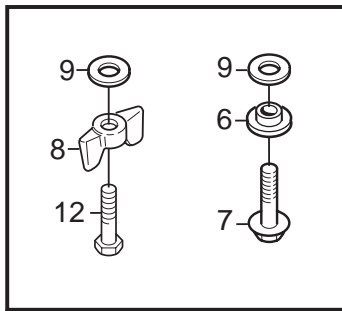


# Genuine Spare Parts

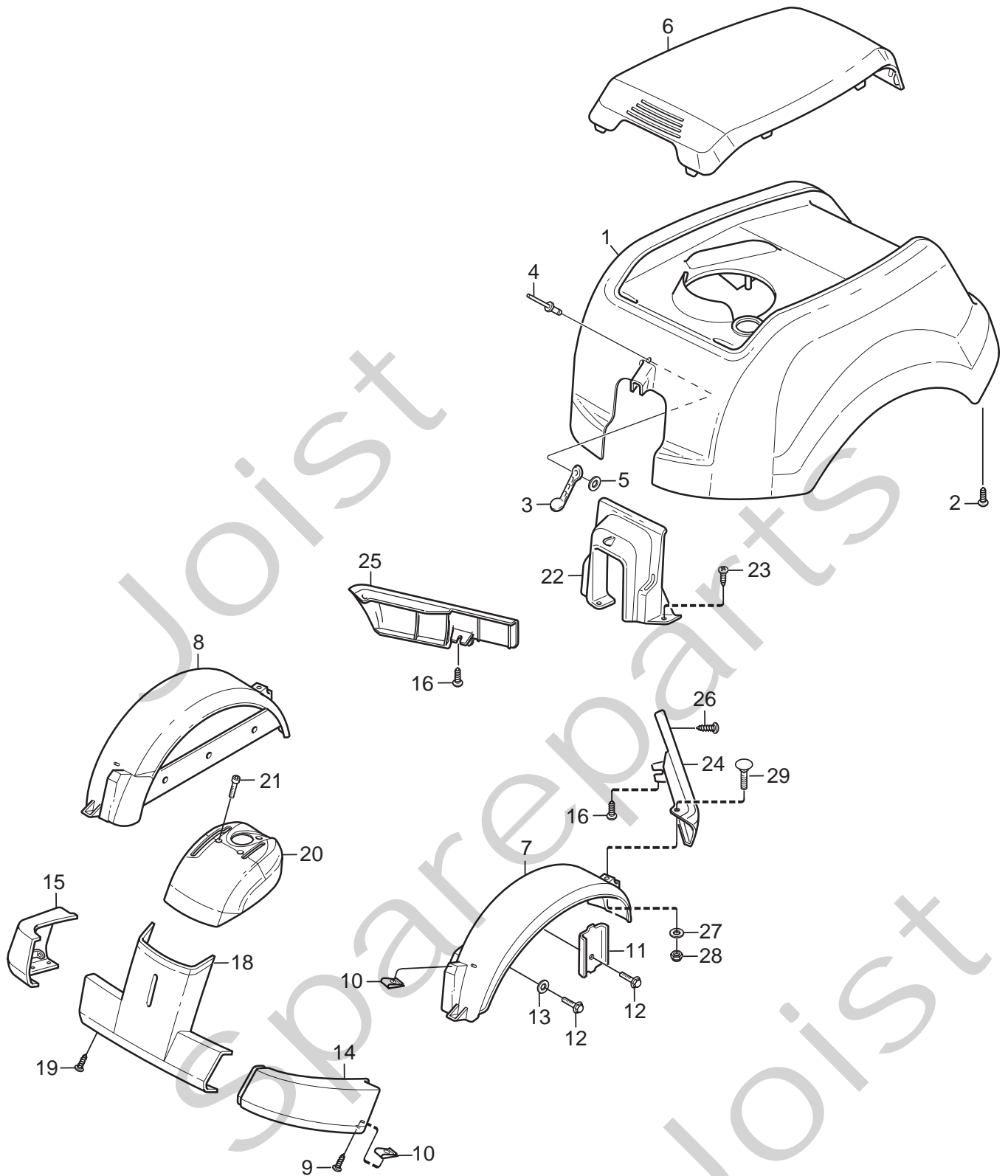
---



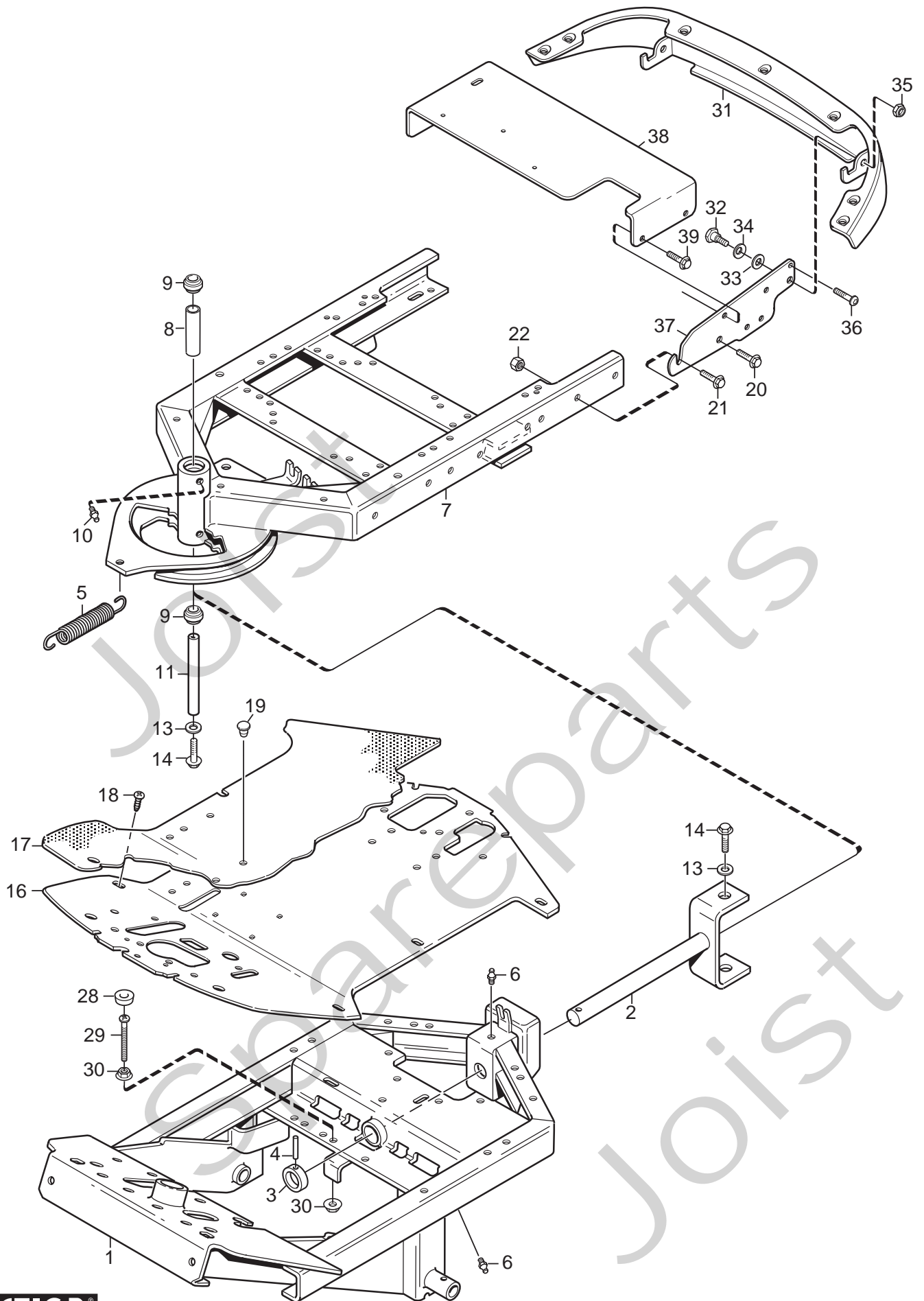
Joist  
Spareparts  
Joist



Utgåva Issue		Bildnr Picture No		PARK COMPACT MONTERINGSDETALJER		PARK COMPACT ASSEMBLY PARTS		Sida Page	
2008- 11		1638C						2	
Pos. Fig.	Antal/Quantity			Art nr Part No	Benämning	Description	Sats Kit	Anmärkning Notes	
	6101	6102 6103	6104						
2	1	1	1	1134-6113-01	Batteriskruvar .....	Battery screws .....			
4	1	1	1	9595-0262-00	Spännstift .....	Locating pin .....			
5A	1	1	1	9699-0103-02	Shims .....	Flat washer .....		0.5 mm	
5B	1	1	1	9699-0114-02	Shims .....	Flat washer .....		1.0 mm	
6	2	2	2	1134-4185-01	Ansatsbricka .....	Flange washer .....			
7	2	2	2	9959-0820-16	Skruv .....	Screw .....			
8	2	2	2	1134-4481-01	Vingmutter .....	Wing nut .....			
9	4	4	4	9699-0056-02	Planbricka .....	Flat washer .....			
10	2	2	2	1134-4734-01	Tändningsnyckel .....	Ignition key .....			
12	2	2	2	9997-0820-16	Skruv .....	Screw .....			
13	1	1	1	1134-5512-01	Dragplåt .....	Towing plate .....			
14	2	2	2	9959-0820-16	Skruv .....	Screw .....			
15	2	2	2	9739-0831-22	Mutter .....	Nut .....			
18	2	2	2	9898-1035-16	Skruv .....	Screw .....			
19	2	2	2	9739-1031-22	Mutter .....	Nut .....			
X	31	1	1	8211-0001-80	Bruksanvisning .....	Owner's manual .....			
X	31	1	1	8211-0002-80	Bruksanvisning .....	Owner's manual .....			
X	31	1	1	8211-0601-80	Monteringsanvisning .....	Assy instructions .....			
X	31	1	1	8211-0701-80	Säkerhetsföreskrifter .....	Safety regulations .....			
X	31	1	1	8211-0901-80	Servicebok .....	Service book .....			
X	31	1	1	8211-0950-80	Garantikort .....	Warranty card .....			

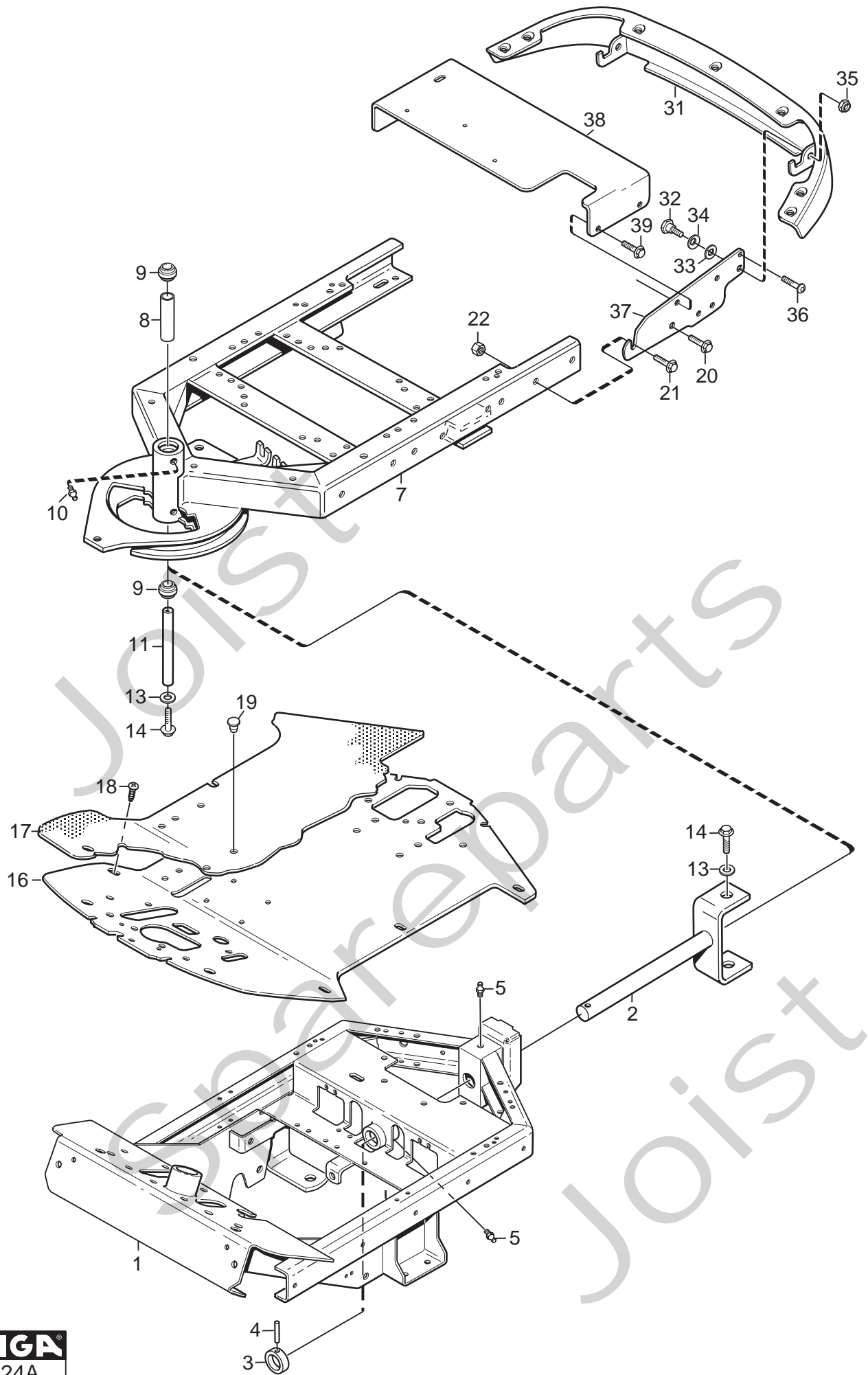


Utgåva Issue		Bildnr Picture No		PARK COMPACT KAROSS		PARK COMPACT BODY WORK		Sida Page	
2008- 11		1658B						4	
Pos. Fig.	Antal/Quantity			Art nr Part No	Benämning	Description	Sats Kit	Anmärkning Notes	
	6101	6102 6103	6104						
1	1	1	1	1134-5263-02	Motorhuv- gul.....	Engine hood- yellow.....			
2	7	7	7	9838-9530-12	Skruv.....	Screw.....			
3	1	1	1	1134-9028-01	Gummistropp- sats.....	Rubber strap kit.....		Sats 3 st/kit of 3	
4	1	1	1	9632-0516-00	Popnit.....	Pop rivet.....			
5	1	1	1	9699-0120-02	Bricka.....	Washer.....			
6	1	1	1	1134-5264-01	Motorlucka- grå.....	Engine cover- grey.....			
7	1	1	1	1134-5308-01	Stänkskärm vä- grå.....	Mud guard LH- grey.....			
8	1	1	1	1134-5308-02	Stänkskärm hö- grå.....	Mud guard RH- grey.....			
9	4	4	4	9893-0616-16	Skruv.....	Screw.....			
10	4	4	4	1134-4176-01	Clips.....	Clips.....			
11	2	2	2	1134-0225-00	Stödplåt.....	Support plate.....			
12	6	6	6	9945-0816-16	Skruv.....	Screw.....			
13	4	4	4	9699-0056-02	Planbricka.....	Flat washer.....			
14	1	1	1	1134-5306-01	Stötfångare, front- vä.....	Bumper, front- LH.....			
15	1	1	1	1134-5306-02	Stötfångare, front- hö.....	Bumper, front- RH.....			
16	2	2	2	9893-0616-16	Skruv.....	Screw.....			
18	1	1	1	1134-5305-01	Front- nedre.....	Front plate- lower.....			
19	2	2	2	9893-0616-16	Skruv.....	Screw.....			
20	1			1134-5320-01	Front- övre.....	Front- upper.....			
20		1	1	1134-5320-02	Front- övre.....	Front- upper.....			
21	2	2	2	9946-0525-16	Skruv.....	Screw.....			
22	1	1	1	1134-6241-01	Huvstöd.....	Hood support.....			
23	3	3	3	9893-0616-16	Skruv.....	Screw.....			
24	1	1	1	1134-3970-05	Kantlist- vä, grå.....	Moulding- LH, grey.....			
25	1	1	1	1134-3970-02	Kantlist- hö, grå.....	Moulding- RH, grey.....			
26	2	2	2	9893-0616-16	Skruv.....	Screw.....			
27	2	2	2	9699-0060-02	Planbricka.....	Flat washer.....			
28	2	2	2	9747-0631-02	Låsmutter.....	Lock nut.....			
29	2	2	2	9897-0616-16	Vagnsbult.....	Carriage bolt.....			
99	1			1134-6440-01	Dekalsats.....	Label kit.....			
99		1		1134-6440-02	Dekalsats.....	Label kit.....			
99			1	1134-6440-03	Dekalsats.....	Label kit.....			



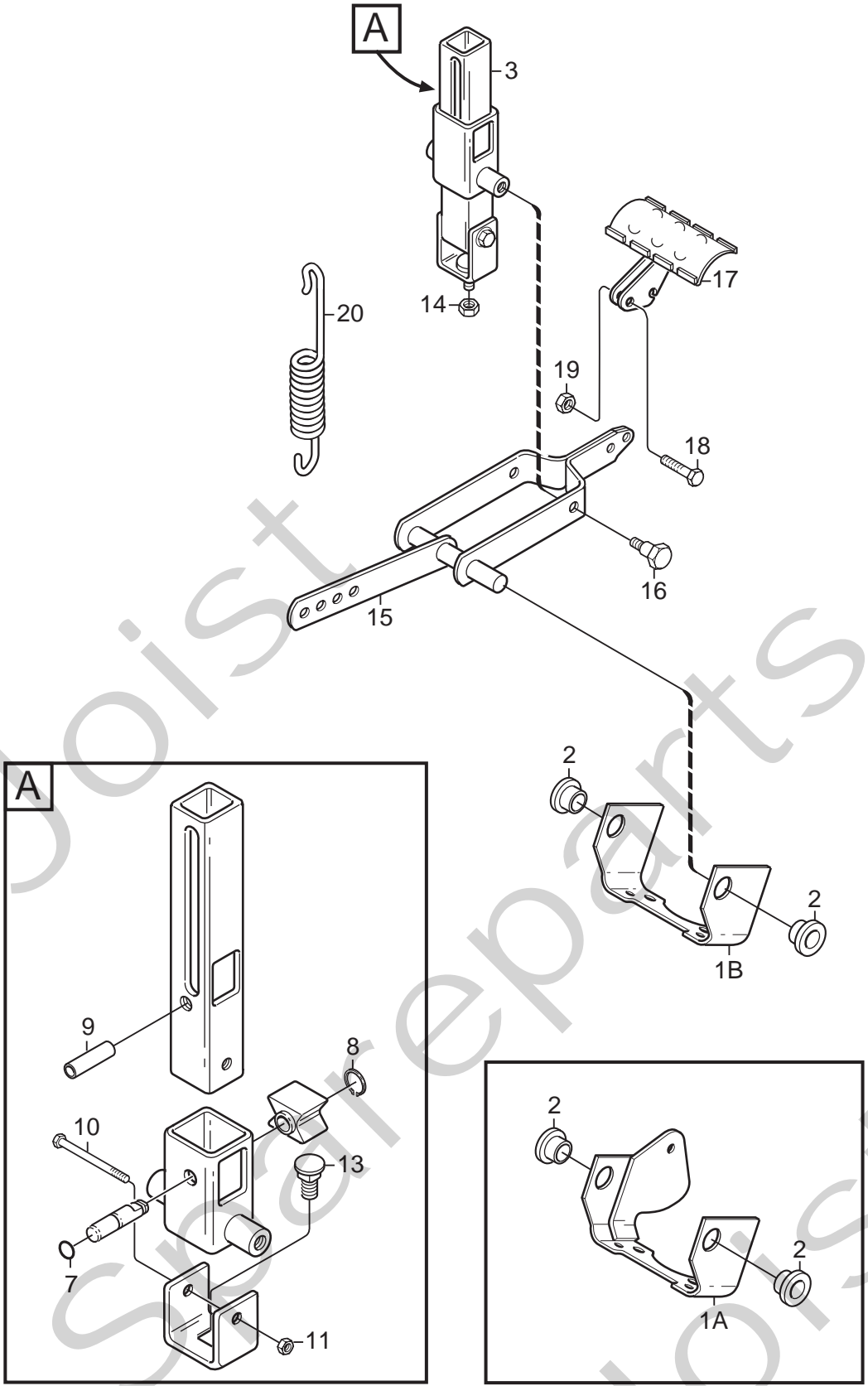
Utgåva Issue		Bildnr Picture No		PARK COMPACT 2WD RAM		PARK COMPACT 2WD FRAME		Sida Page	
2008- 11		1669C						6	
Pos. Fig.	Antal/Quantity			Art nr Part No	Benämning	Description	Sats Kit	Anmärkning Notes	
	6101	6102 6103							
1	1	1		1134-5315-03	Ram- främre .....	Frame- front .....			
2	1	1		1134-3963-02	• Midjegaffel .....	• Clevis .....			
3	1	1		1134-0031-00	• Ledaxelstopp .....	• Pivot shaft stop .....			
4	1	1		9595-0262-00	• Spännstift .....	• Locating pin .....			
5	1	1		1134-2171-01	Fjäder.....	Spring .....			
6	2	2		9501-0500-00	Smörjnippel .....	Grease joint.....			
7	1	1		1134-6466-01	Ram- bakre .....	Frame- rear.....			
8	1	1		1134-5705-01	• Distans .....	• Spacer .....			
9	2	2		9547-0001-00	• Ledlager.....	• Bearing.....			
10	2	2		9501-0500-00	• Smörjnippel .....	• Grease joint .....			
11	1	1		1134-5988-01	Centrumaxel .....	Centre shaft.....			
13	2	2		9699-0035-02	Planbricka.....	Flat washer.....			
14	2	2		9959-1025-16	Skruv .....	Screw.....			
16	1	1		1134-5294-01	Durk.....	Floor plate .....			
17	1			1134-5513-02	Durkmatta.....	Floor mat.....			
17		1		1134-6372-04	Durkmatta.....	Floor mat.....			
18	2	2		9893-0616-16	Skruv .....	Screw.....			
19		2		9403-0048-70	Täckpropp .....	Plug .....			
20	2	2		9945-0816-16	Skruv .....	Screw.....			
21	2	2		9959-0820-16	Skruv .....	Screw.....			
22	2	2		9739-0831-22	Mutter.....	Nut .....			
28	1	1		1134-4975-01	Gummibuffert .....	Rubber block.....			
29	1	1		9950-0570-12	Skruv .....	Screw.....			
30	2	2		9739-0531-22	Mutter.....	Nut .....			
31	1	1		1134-5337-02	Stötfångare- bak, grå .....	Bumper- rear, grey .....			
32	2	2		1134-0240-00	Ansatsskruv .....	Shoulder screw .....			
33	2	2		1134-4242-01	Distansbricka.....	Spacer washer .....			
34	2	2		9665-0002-00	Brickfjäder .....	Bowed washer.....			
35	2	2		9747-0831-02	Mutter.....	Lock nut .....			
36	2	2		9943-0516-16	Skruv .....	Screw.....			
37	2	2		1134-5345-01	Stag .....	Attachment.....			
38	1	1		1134-5344-01	Batterihylla.....	Battery shelf.....			
39	4	4		9945-0816-16	Skruv .....	Screw.....			

X

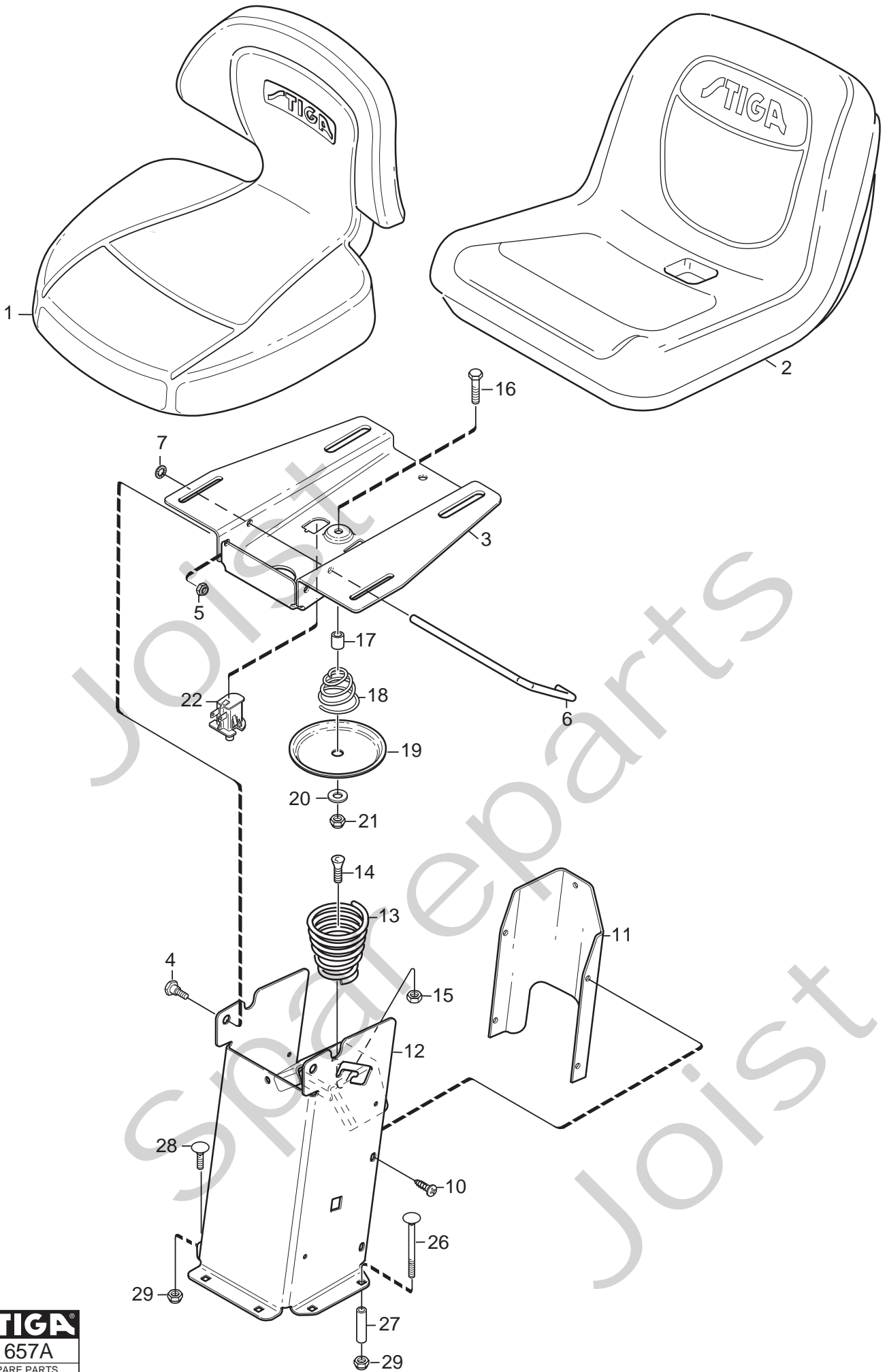




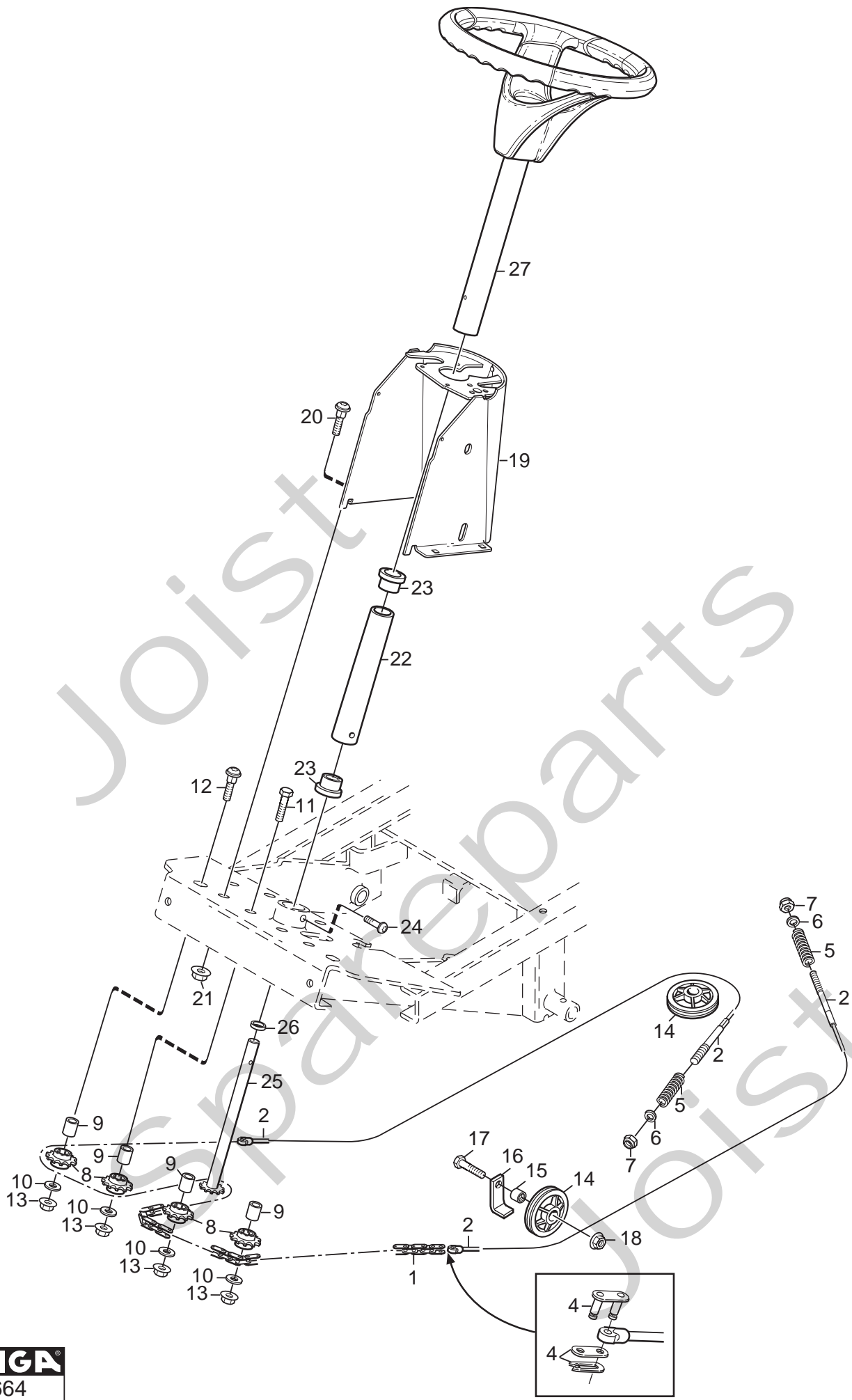
Utgåva Issue		Bildnr Picture No		PARK COMPACT 4WD RAM		PARK COMPACT 4WD FRAME		Sida Page	
2008- 11		2024A						8	
Pos. Fig.	Antal/Quantity				Art nr Part No	Benämning	Description	Sats Kit	Anmärkning Notes
	6104								
1	1				1134-5656-02 Ram- främre .....	Frame- front .....			
2	1				1134-3963-02 • Midjegaffel .....	• Clevis .....			
3	1				1134-0031-00 • Ledaxelstopp .....	• Pivot shaft stop .....			
4	1				9595-0262-00 • Spännstift .....	• Locating pin .....			
5	2				9501-0500-00 • Smörjnippel .....	• Grease joint .....			
7	1				1134-6466-01 Ram- bakre .....	Frame- rear .....			
8	1				1134-5705-01 • Distans .....	• Spacer .....			
9	2				9547-0001-00 • Ledlager .....	• Bearing .....			
10	2				9501-0500-00 • Smörjnippel .....	• Grease joint .....			
11	1				1134-5988-01 Centrumaxel .....	Centre shaft .....			
13	2				9699-0035-02 Planbricka .....	Flat washer .....			
14	2				9959-1025-16 Skruv .....	Screw .....			
16	1				1134-6586-01 Durk .....	Floor plate .....			
17	1				1134-6372-04 Durkmatta .....	Floor mat .....			
18	2				9893-0616-16 Skruv .....	Screw .....			
19	2				9403-0048-70 Täckpropp .....	Plug .....			
20	2				9945-0816-16 Skruv .....	Screw .....			
21	2				9959-0820-16 Skruv .....	Screw .....			
22	2				9739-0831-22 Mutter .....	Nut .....			
31	1				1134-5337-02 Stötfångare- bak, grå .....	Bumper- rear, grey .....			
32	2				1134-0240-00 Ansattsskruv .....	Shoulder screw .....			
33	2				1134-4242-01 Distansbricka .....	Spacer washer .....			
34	2				9665-0002-00 Brickfjäder .....	Bowed washer .....			
35	2				9747-0831-02 Mutter .....	Lock nut .....			
36	2				9943-0516-16 Skruv .....	Screw .....			
37	2				1134-5345-01 Stag .....	Attachment .....			
38	1				1134-5344-01 Batterihylla .....	Battery shelf .....			
39	4				9945-0816-16 Skruv .....	Screw .....			



Utgåva Issue		Bildnr Picture No		PARK COMPACT PEDALLYFT		PARK COMPACT PEDAL LIFT		Sida Page	
2008- 11		1656A						10	
Pos. Fig.	Antal/Quantity			Art nr Part No	Benämning	Description	Sats Kit	Anmärkning Notes	
	6101	6102 6103 6104							
1A	1			1134-5462-01	Fäste .....	Bracket .....			
1B		1		1134-4117-01	Fäste .....	Bracket .....			
2	2	2		1134-2684-01	Lager .....	Bearing .....			
3	1	1		1134-4945-01	Lyftspärr kpl .....	Lift catch assy .....			
7	1	1		9404-0027-01	• O-ring .....	• O-ring .....			
8	1	1		9650-0039-04	• Seegersäkring .....	• Lock ring .....			
9	1	1		9595-0276-01	• Spännstift .....	• Locating pin .....			
10	1	1		9997-0640-12	• Skruv .....	• Screw .....			
11	1	1		9747-0631-02	• Låsmutter .....	• Lock nut .....			
13	1	1		9897-0820-16	• Skruv .....	• Screw .....			
14	1	1		9747-0831-02	Mutter .....	Lock nut .....			
15	1	1		1134-4860-01	Lyftgaffel .....	Lift fork .....			
16	2	2		1134-0240-00	Ansattsskruv .....	Shoulder screw .....			
17	1	1		1134-4938-01	Lyftpedal .....	Lift pedal .....			
18	2	2		9997-0625-16	Skruv .....	Screw .....			
19	2	2		9739-0631-22	Mutter .....	Nut .....			
20	1	1		4231-0013-00	Fjäder .....	Spring .....			

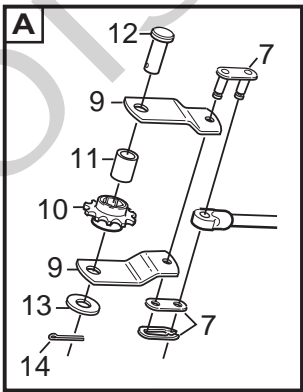
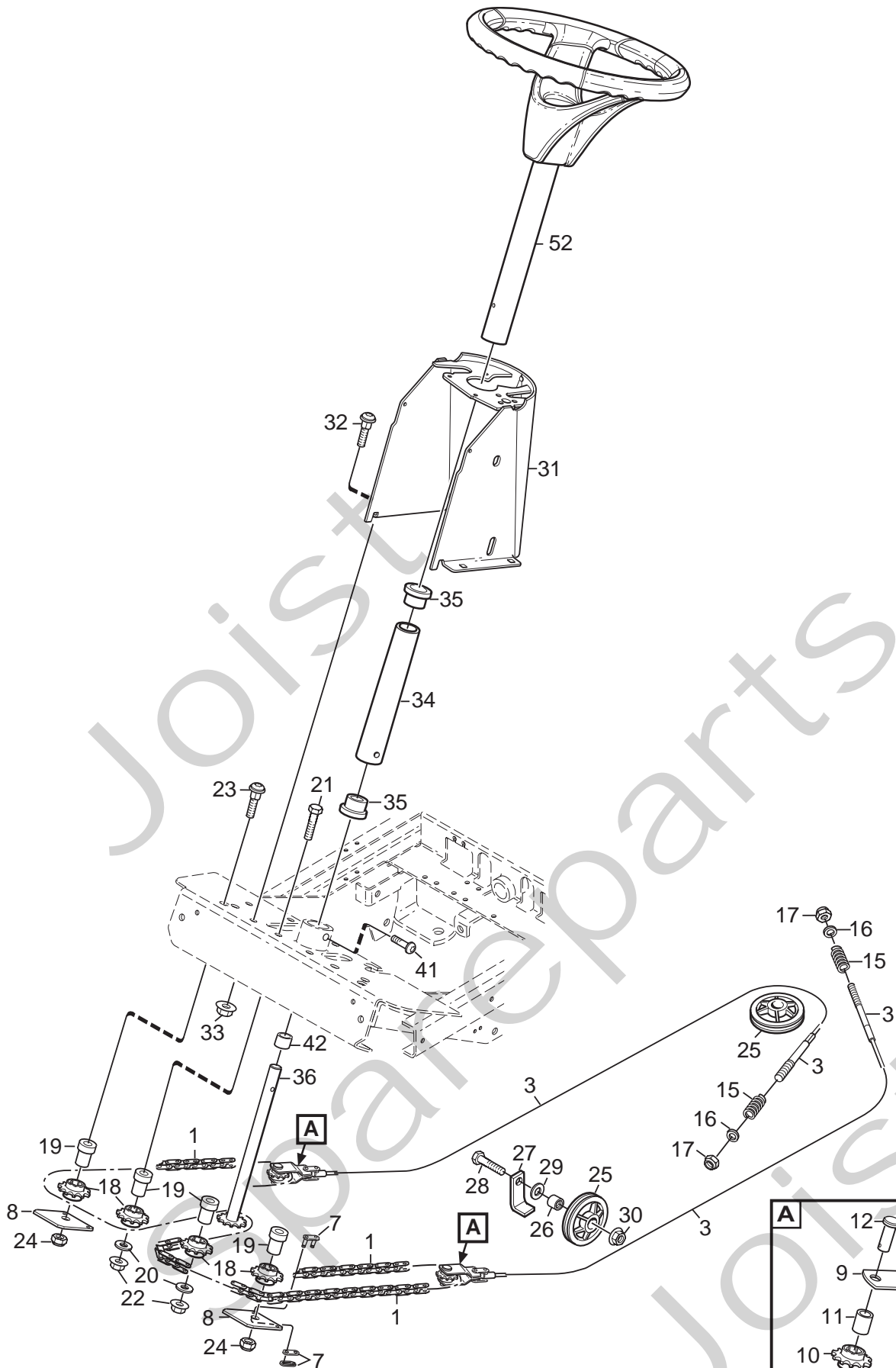


Utgåva Issue		Bildnr Picture No		PARK COMPACT SITS		PARK COMPACT SEAT		Sida Page	
2008- 11		1657A						12	
Pos. Fig.	Antal/Quantity				Art nr Part No	Benämning	Description	Sats Kit	Anmärkning Notes
	6101 6102	6103 6104							
1	1				1134-5506-01 Sits .....	Seat .....			
2		1			1134-6444-01 Sits .....	Seat .....			
3	1	1			1134-5301-01 Sitsplatta .....	Seat plate .....			
4	2	2			1134-0240-00 Ansatsskruv .....	Shoulder screw .....			
5	2	2			9747-0831-02 Mutter .....	Lock nut .....			
6	1	1			1134-5454-01 Spärr .....	Catch .....			
7	1	1			9675-0012-02 Starlock .....	Locking washer .....			
10	4	4			9893-0616-16 Skruv .....	Screw .....			
11	1	1			1134-5300-01 Bakstycke .....	Rear plate .....			
12	1	1			1134-5296-04 Sitskonsol- gul .....	Seat bracket- yellow .....			
13	1	1			1134-4256-01 Sitsfjäder .....	Seat spring .....			
14	1	1			9924-1235-19 Skruv .....	Screw .....			
15	1	1			9747-1231-02 Låsmutter .....	Lock nut .....			
16	1	1			9997-0840-16 Skruv .....	Screw .....			
17	1	1			1134-1565-06 Distans .....	Spacer .....			
18	1	1			1134-5302-01 Fjäder .....	Spring .....			
19	1	1			1134-5299-01 Tryckplatta .....	Push plate .....			
20	1	1			9699-0090-02 Planbricka .....	Flat washer .....			
21	1	1			9747-0831-02 Mutter .....	Lock nut .....			
22	1	1			1134-3156-02 Brytare (grå) .....	Switch (grey) .....			
26	2	2			9897-0880-12 Skruv .....	Screw .....		L = 80 mm	
27	2	2			1134-1565-08 Distans .....	Spacer .....			
28	4	4			9897-0820-16 Skruv .....	Screw .....		L = 20 mm	
29	6	6			9747-0831-02 Mutter .....	Lock nut .....			



Utgåva Issue		Bildnr Picture No		PARK COMPACT 2WD STYRNING		PARK COMPACT 2WD STEERING		Sida Page	
2008- 11		1664						14	
Pos. Fig.	Antal/Quantity				Art nr Part No	Benämning	Description	Sats Kit	Anmärkning Notes
	6101	6102	6103						
1	1				1134-6374-06 Kedja .....	Chain.....		83 länk	
2	1				1134-9084-01 Styrwire kpl (vä+hö) .....	Steering cable assy .....		Sats vä+hö/kit L+R	
4	2				1134-2824-02 Kedjelås .....	Chain lock .....			
5	2				1134-3817-01 Tryckfjäder .....	Compression spring.....			
6	2				9699-0090-02 Planbricka.....	Flat washer.....			
7	2				9747-0831-02 Mutter.....	Lock nut.....			
8	4				1134-2816-01 Kedjehjul.....	Sprocket.....			
9	4				1134-0041-02 Linhjulshylsa .....	Idler wheel bush.....			
10	4				9699-0035-02 Planbricka.....	Flat washer.....			
11	2				9997-1050-16 Skruv .....	Screw.....			
12	2				9897-1040-12 Skruv .....	Screw.....			
13	4				9739-1031-22 Mutter.....	Nut.....			
14	2				1134-9025-01 Linhjul-sats .....	Steering pulley- kit .....		Sats 2 st/kit of 2	
15	2				1134-0041-01 Linhjulshylsa .....	Bushing.....			
16	2				1134-0046-00 Linhållare.....	Wire clamp.....			
17	2				9997-1030-16 Skruv .....	Screw.....			
18	2				9739-1031-22 Mutter.....	Nut.....			
19	1				1134-5349-01 Styrkonsol- gul .....	Steering console- yel.....			
20	4				9897-0820-16 Skruv .....	Screw.....			
21	4				9739-0831-22 Mutter.....	Nut.....			
22	1				1134-1305-05 Rattrör- nedre .....	Steering column- lower .....			
23	2				1134-1901-01 Lager .....	Bearing.....			
24	2				9893-0616-16 Skruv .....	Screw.....			
25	1				1134-2821-03 Rattstång .....	Steering rod .....			
26	1				1134-2837-01 Distans .....	Spacer.....			
27	1				1134-5496-01 Ratt.....	Steering wheel .....			

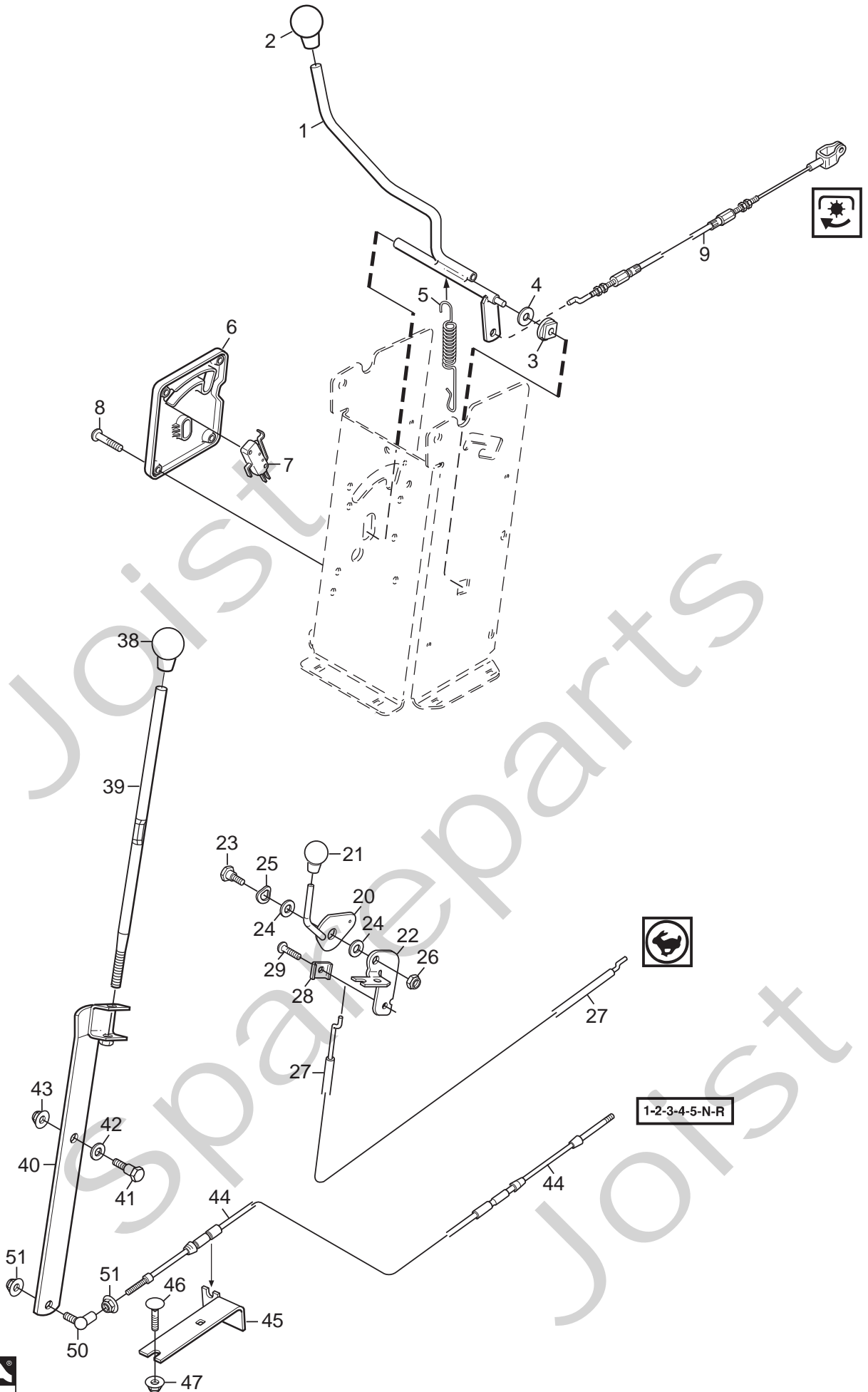
X



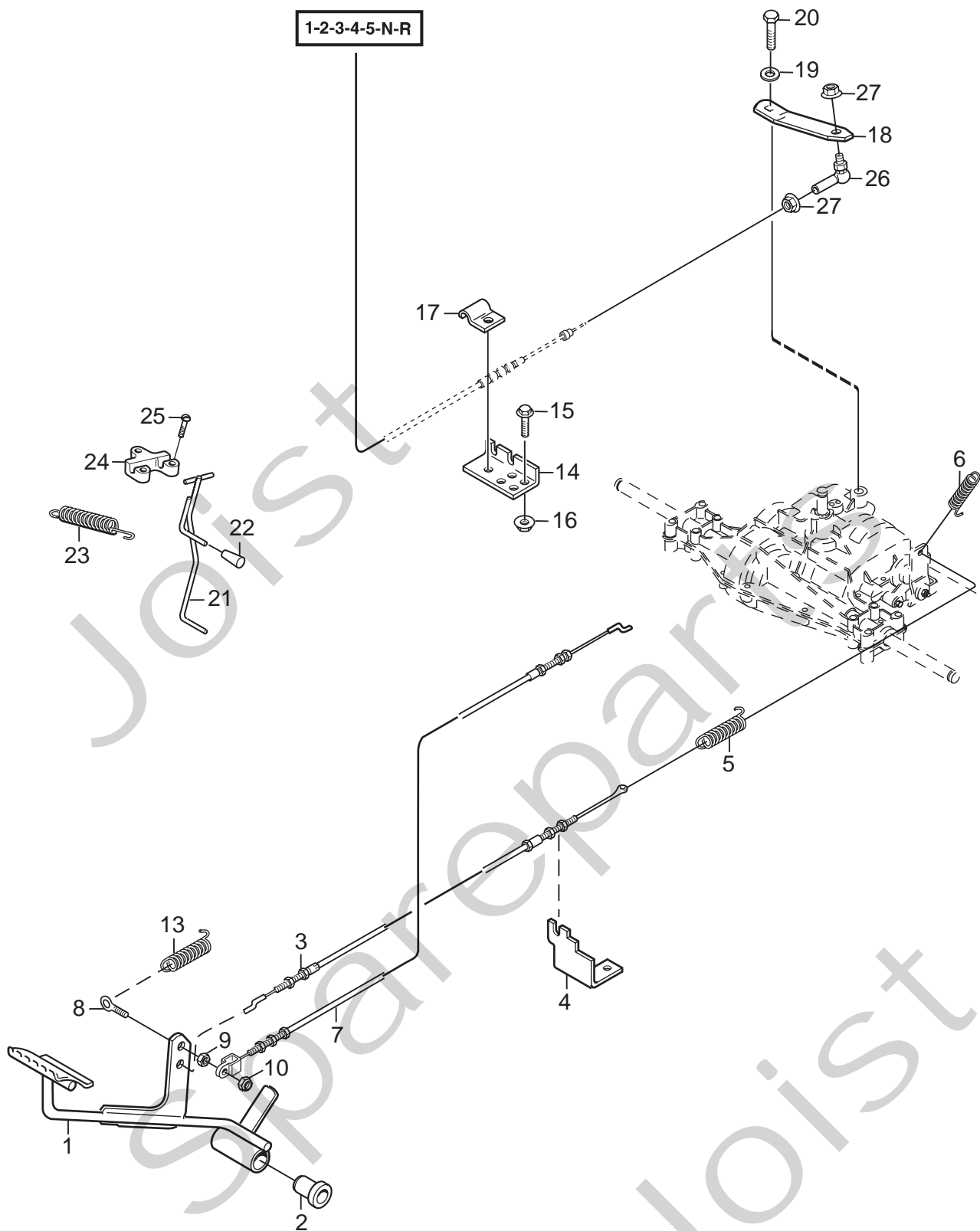


Utgåva Issue		Bildnr Picture No		PARK COMPACT 4WD STYRNING		PARK COMPACT 4WD STEERING		Sida Page	
2008- 11		2025						16	
Pos. Fig.	Antal/Quantity				Art nr Part No	Benämning	Description	Sats Kit	Anmärkning Notes
	6104								
1	1			1134-6374-10	Kedja .....	Chain.....		129 länk Sats vä+hö/kit L+R	
3	1			1134-9099-01	Styrwire kpl (vä+hö) .....	Steering cable assy .....			
7	4			1134-2824-02	Kedjelås .....	Chain lock .....			
8	2			1134-5652-01	Fäste .....	Attachment.....			
9	4			1134-5651-01	Bygel .....	Bracket.....			
10	2			1134-2816-01	Kedjehjul.....	Sprocket.....			
11	2			1134-0041-02	Linhjulshylsa .....	Idler wheel bush.....			
12	2			1134-4817-01	Kolvstängssprint.....	Pin .....			
13	2			9699-0035-02	Planbricka.....	Flat washer.....			
14	2			9599-0054-02	Saxpinne.....	Cotter pin .....			
15	2			1134-3817-01	Tryckfjäder.....	Compression spring.....			
16	2			9699-0090-02	Planbricka.....	Flat washer.....			
17	2			9747-0831-02	Mutter.....	Lock nut .....			
18	4			1134-2816-01	Kedjehjul.....	Sprocket.....			
19	4			1134-5653-01	Distans .....	Spacer.....			
20	2			9699-0035-02	Planbricka.....	Flat washer.....			
21	2			9997-1060-12	Skruv .....	Screw.....			
22	2			9739-1031-22	Mutter.....	Nut .....			
23	2			9897-1060-12	Skruv .....	Screw.....			
24	2			9731-1031-22	Mutter.....	Nut .....			
25	2			1134-9025-01	Linhjul- sats .....	Steering pulley- kit .....		Sats 2 st/kit of 2	
26	2			1134-0041-01	Linhjulshylsa .....	Bushing.....			
27	2			1134-0046-00	Linhållare .....	Wire clamp.....			
28	2			9997-1040-16	Skruv .....	Screw.....			
29	2			9699-0035-02	Planbricka.....	Flat washer.....			
30	2			9739-1031-22	Mutter.....	Nut .....			
31	1			1134-5349-01	Styrkonsol- gul .....	Steering console- yel.....			
32	4			9897-0820-16	Skruv .....	Screw.....			
33	4			9739-0831-22	Mutter.....	Nut .....			
34	1			1134-1305-05	Rattör- nedre .....	Steering column- lower .....			
35	2			1134-1901-01	Lager .....	Bearing.....			
36	1			1134-2821-05	Rattstång .....	Steering rod .....			
41	2			9893-0616-16	Skruv .....	Screw.....			
42	1			1134-2837-03	Distans .....	Spacer.....			
52	1			1134-5496-01	Ratt.....	Steering wheel .....			

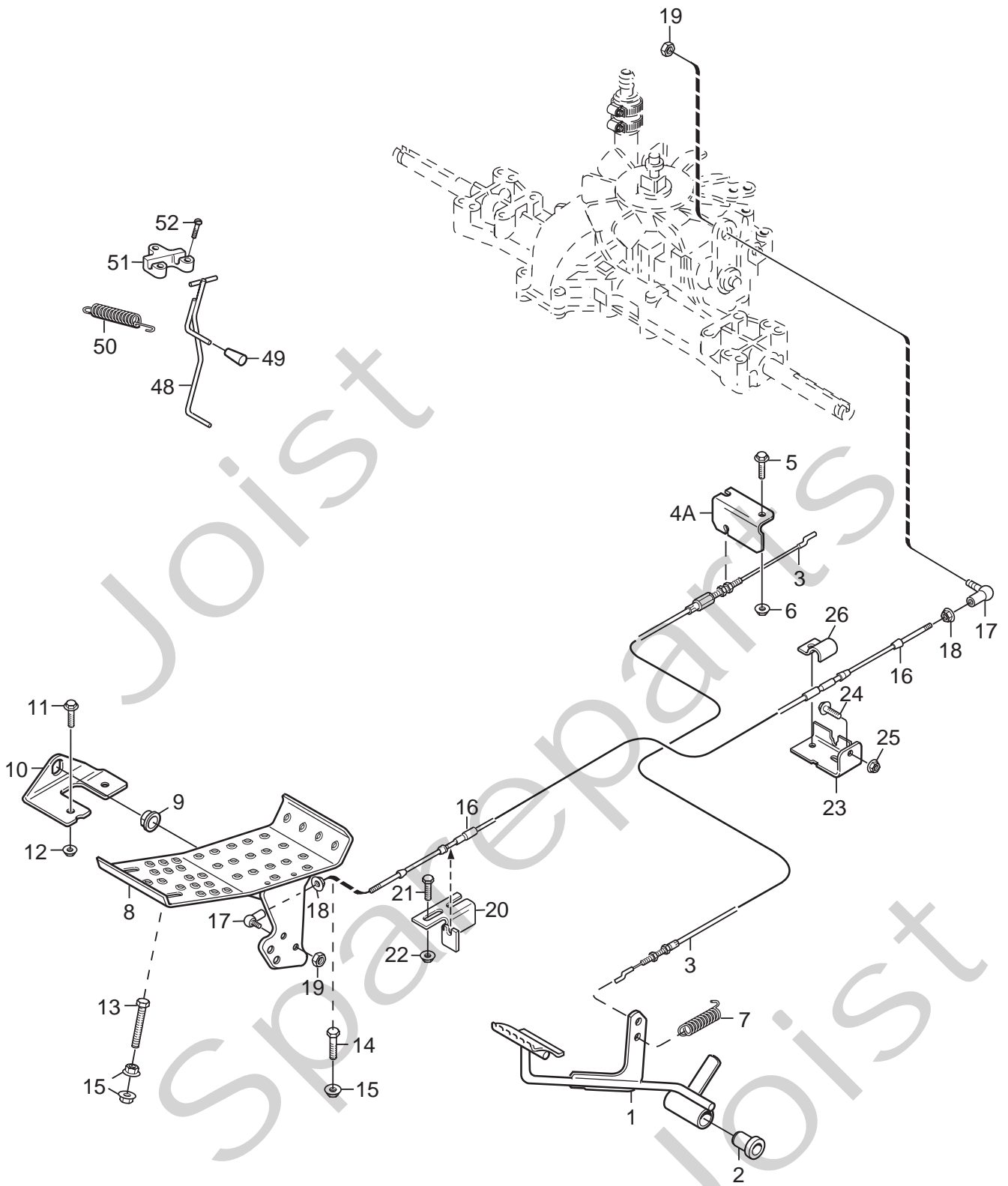
X



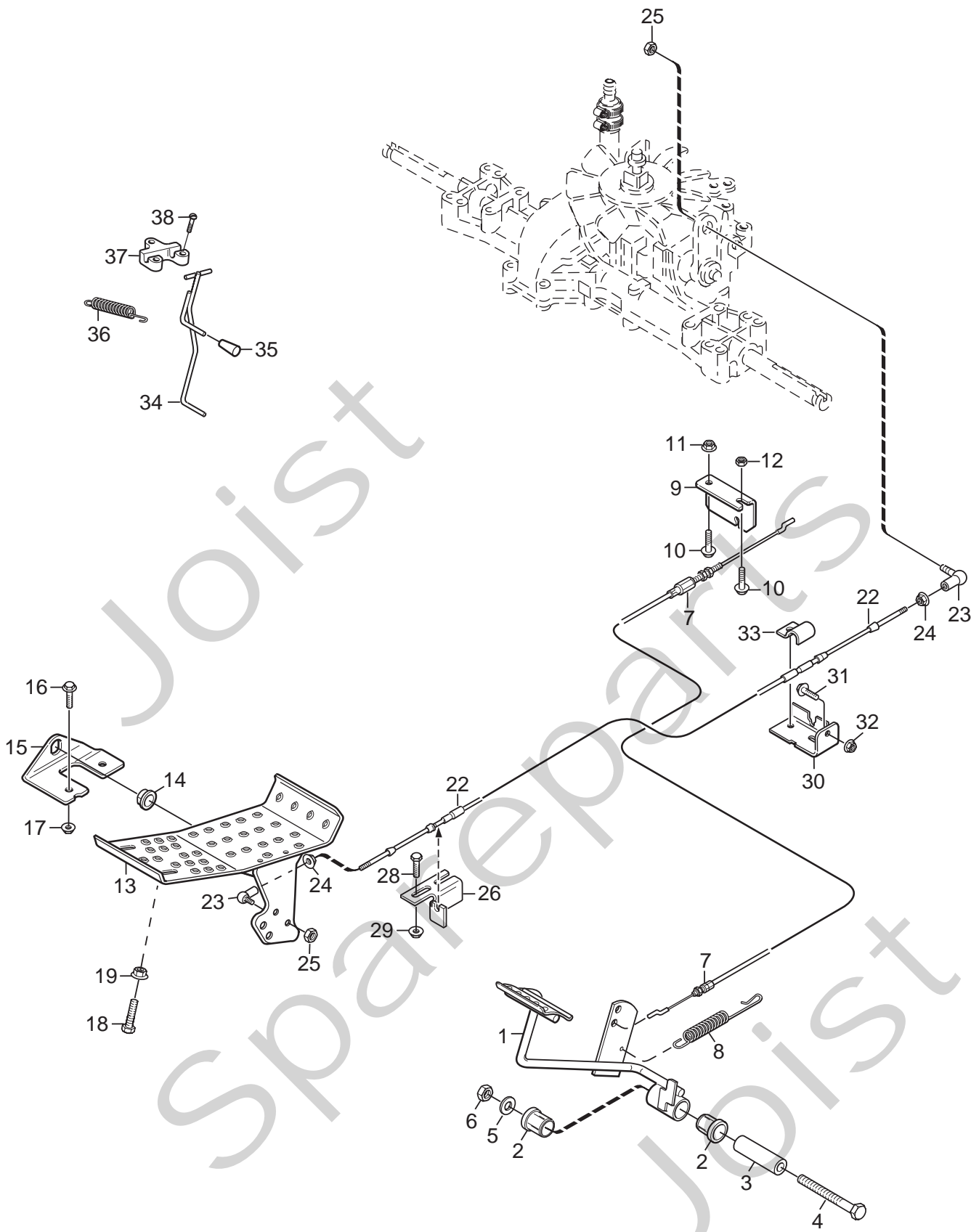
Utgåva Issue		Bildnr Picture No		PARK COMPACT HANDREGLAGE		PARK COMPACT HAND CONTROLS		Sida Page	
2008- 11		1670A						18	
Pos. Fig.	Antal/Quantity			Art nr Part No	Benämning	Description	Sats Kit	Anmärkning Notes	
	6101	6102 6103 6104							
1	1	1		1134-6301-01	Aggregatsspak.....	Engagement lever .....			
2	1	1		1134-2551-01	Reglageknopp.....	Knob .....			
3	1	1		1134-3790-02	Lager .....	Bearing.....			
4	1	1		9699-0090-02	Planbricka.....	Flat washer.....			
5	1	1		4231-0013-00	Fjäder.....	Spring .....			
6	1	1		1134-5368-01	Panel .....	Dashboard .....			
7	1	1		9400-0312-01	Mikrobrytare.....	Micro switch .....			
8	4	4		9946-0525-16	Skruv .....	Screw .....			
9	1	1		1134-3573-05	Reglagewire.....	Control cable.....			
20	1	1		1134-5465-01	Gasreglage.....	Throttle lever.....			
21	1	1		1134-4078-01	Knopp .....	Knob .....			
22	1	1		1134-5464-01	Fäste.....	Bracket.....			
23	1	1		1134-0240-00	Ansatsskruv.....	Shoulder screw.....			
24	2	2		1134-4242-01	Distansbricka.....	Spacer washer .....			
25	1	1		9694-0001-00	Fjäderbricka .....	Washer.....			
26	1	1		9747-0831-02	Mutter.....	Lock nut.....			
27	1	1		1134-4197-03	Gaswire .....	Throttle cable .....			
28	1	1		9500-9991-00	Wireklämma .....	Cable clamp .....			
29	1	1		9943-0516-16	Skruv .....	Screw .....			
38	1	1		1134-2551-01	Reglageknopp.....	Knob .....			
39	1	1		1134-5482-01	Växelspak .....	Gear shift lever .....			
40	1	1		1134-5459-01	Växelarm .....	Gear shift arm .....			
41	1	1		1134-0240-00	Ansatsskruv.....	Shoulder screw.....			
42	1	1		9696-0013-01	Kupad bricka.....	Bowed washer.....			
43	1	1		9739-0831-22	Mutter.....	Nut .....			
44	1	1		1134-2766-07	Reglagewire.....	Control cable.....			
45	1	1		1134-5518-01	Vinkelarm .....	Angle bracket .....			
46	2	2		9897-0616-16	Vagnsbult .....	Carriage bolt .....			
47	2	2		9739-0631-22	Mutter.....	Nut .....			
50	1	1		9570-0001-00	Vinkellänk .....	Elbow link .....			
51	2	2		9739-0531-22	Mutter.....	Nut .....			



Utgåva Issue		Bildnr Picture No		PARK COMPACT 2WD FOTREGLAGE		PARK COMPACT 2WD FOOT CONTROLS		Sida Page	
2008- 11		1665						20	
Pos. Fig.	Antal/Quantity				Art nr Part No	Benämning	Description	Sats Kit	Anmärkning Notes
	6101								
1	1				1134-4247-01	Broms/kopplingspedal.....	Brake/clutch pedal.....		
2	1				1134-9024-01	• Lager .....	• Bearing.....		Sats 4 st/kit of 4
3	1				1134-3410-02	Bromswire .....	Brake cable .....		
4	1				1134-3403-01	Wirefäste .....	Wire holder .....		
5	1				1134-3280-01	Fjäder.....	Spring .....		
6	1				1134-3974-02	Fjäder.....	Spring .....		
7	1				1134-4058-01	Wire.....	Cable .....		
8	1				1134-2991-01	Skruvögla .....	Eye bolt .....		
9	1				9739-0531-22	Mutter.....	Nut .....		
10	1				9747-0531-02	Mutter.....	Nut .....		
13	1				1134-3974-01	Fjäder.....	Spring .....		
14	1				1134-3400-01	Vinkelarm .....	Angle plate .....		
15	2				9959-0820-16	Skruv.....	Screw .....		
16	2				9739-0831-22	Mutter.....	Nut .....		
17	1				1134-2021-01	Växelwirefäste .....	Clamp.....		
18	1				1134-4048-02	Växelarm .....	Gear shifter arm.....		
19	1				9699-0060-02	Planbricka.....	Flat washer.....		
20	1				9987-5016-16	Skruv.....	Screw .....		
21	1				1134-5353-01	Bromsstång .....	Brake rod .....		
22	1				1134-2786-01	Plastknopp.....	Plastic knob .....		
23	1				1131-1497-01	Fjäder.....	Spring .....		
24	1				1134-4002-01	Fäste.....	Brake rod attachment.....		
25	3				9838-9516-12	Skruv.....	Screw .....		
26	1				9570-0001-00	Vinkellänk .....	Elbow link .....		
27	2				9739-0531-22	Mutter.....	Nut .....		



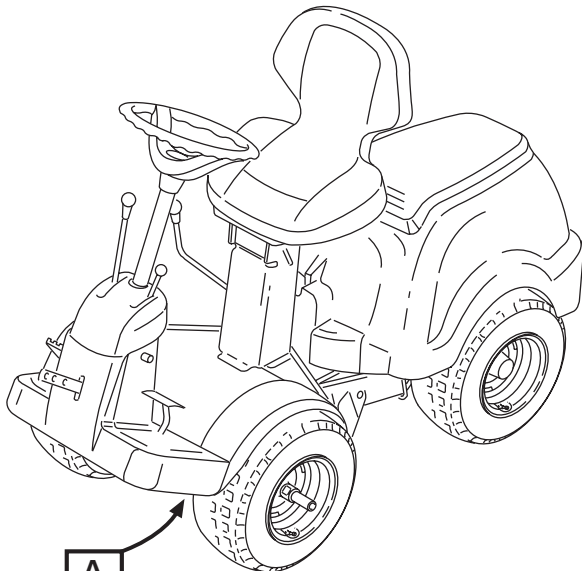
Utgåva Issue		Bildnr Picture No		PARK COMPACT HST 2WD FOTREGLAGE		PARK COMPACT HST 2WD FOOT CONTROLS		Sida Page	
2008- 11		1666A						22	
Pos. Fig.	Antal/Quantity				Art nr Part No	Benämning	Description	Sats Kit	Anmärkning Notes
	6102 6103								
X	1	1			1134-4247-01	Broms/kopplingspedal.....	Brake/clutch pedal.....		Sats 4 st/kit of 4
	2	1			1134-9024-01	• Lager .....	• Bearing .....		
	3	1			1134-3584-03	Broms/kopplingswire.....	Brake/clutch cable .....		
	4A	1			1134-6467-01	Wirefäste .....	Cable holder .....		
	5	2			9959-0820-16	Skruv .....	Screw .....		
	6	2			9739-0831-22	Mutter.....	Nut .....		
	7	1			1134-3974-01	Fjäder.....	Spring .....		
	8	1			1134-6353-01	Drivpedal .....	Drive pedal .....		
	9	2			1134-6313-01	Lager .....	Bearing.....		
	10	2			1134-2700-01	Fäste .....	Bracket .....		
	11	2			9959-0820-16	Skruv .....	Screw .....		
	12	2			9739-0831-22	Mutter.....	Nut .....		
	13	1			9997-0870-16	Skruv .....	Screw .....		
	14	1			9959-0820-16	Skruv .....	Screw .....		
	15	3			9739-0831-22	Mutter.....	Nut .....		
	16	1			1134-2766-05	Reglagewire.....	Speed control cable .....		
	17	2			9570-0001-00	Vinkellänk .....	Elbow link .....		
	18	2			9739-0531-22	Mutter.....	Nut .....		
	19	2			9747-0531-02	Mutter.....	Nut .....		
	20	1			1134-6317-01	Wirefäste .....	Cable holder .....		
	21	2			9959-0620-16	Skruv .....	Screw .....		
	22	2			9739-0631-22	Mutter.....	Nut .....		
	23	1			1134-3395-01	Fäste .....	Attachment.....		
	24	2			9959-0820-16	Skruv .....	Screw .....		
	25	2			9739-0831-22	Mutter.....	Nut .....		
	26	1			1134-2021-01	Växelwirefäste .....	Clamp.....		
	48	1			1134-5353-01	Bromsstång .....	Brake rod .....		
	49	1			1134-2786-01	Plastknopp.....	Plastic knob .....		
	50	1			1131-1497-01	Fjäder.....	Spring .....		
	51	1			1134-4002-01	Fäste .....	Brake rod attachment.....		
	52	3			9838-9516-12	Skruv .....	Screw .....		



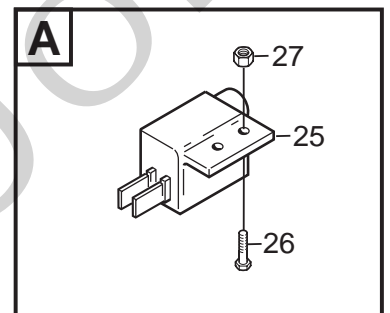
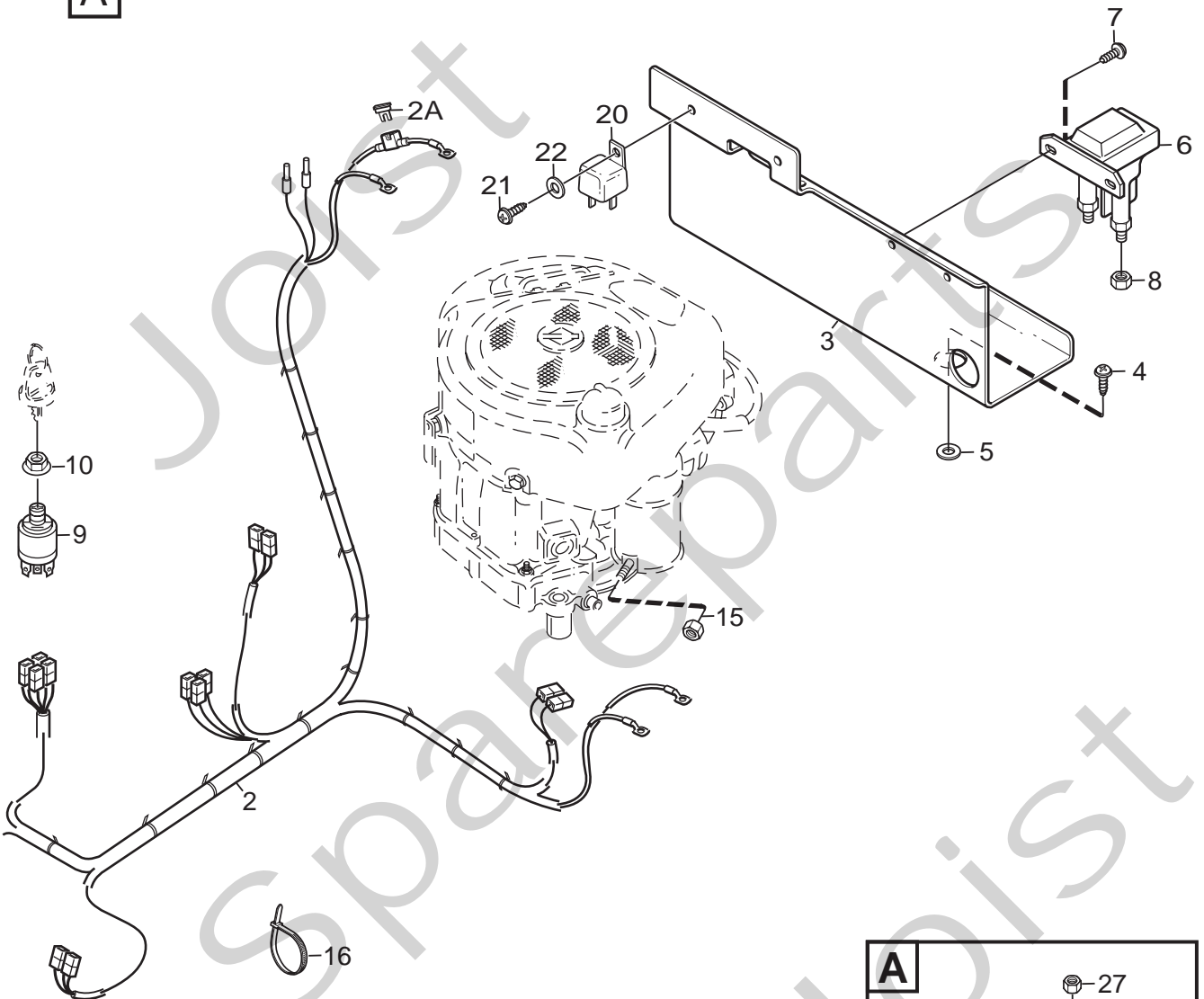
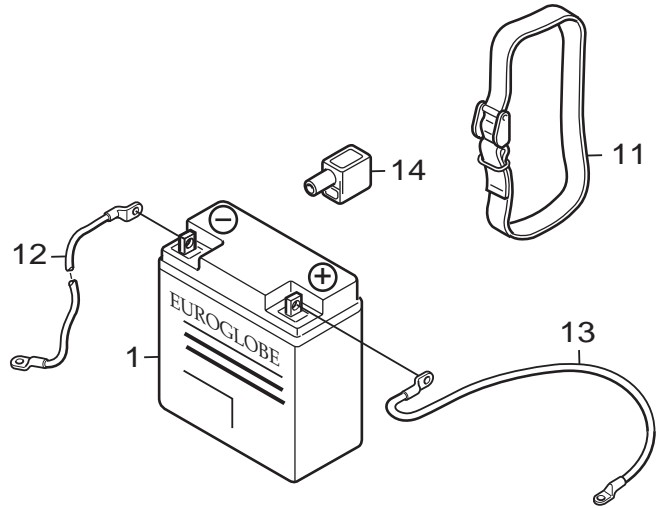


Utgåva Issue		Bildnr Picture No		PARK COMPACT 4WD FOTREGLAGE		PARK COMPACT 4WD FOOT CONTROLS		Sida Page	
2008- 11		2026A						24	
Pos. Fig.	Antal/Quantity				Art nr Part No	Benämning	Description	Sats Kit	Anmärkning Notes
	6104								
1	1				1134-5655-01	Broms/kopplingspedal.....	Brake/clutch pedal.....		Sats 4 st/kit of 4
2	1				1134-9024-01	Lager.....	Bearing.....		
3	1				1134-5677-02	Distans.....	Spacer.....		
4	1				9997-1070-12	Skruv.....	Screw.....		
5	1				9699-0030-02	Planbricka.....	Flat washer.....		
6	1				9739-1031-22	Mutter.....	Nut.....		
7	1				1134-6005-01	Wire.....	Cable.....		
8	1				4231-0013-00	Fjäder.....	Spring.....		
9	1				1134-6467-01	Wirefäste.....	Cable holder.....		
10	2				9959-0820-16	Skruv.....	Screw.....		
11	1				9739-0831-22	Mutter.....	Nut.....		
12	1				9747-0831-02	Mutter.....	Lock nut.....		
13	1				1134-6353-01	Drivpedal.....	Drive pedal.....		
14	2				1134-6313-01	Lager.....	Bearing.....		
15	2				1134-2700-01	Fäste.....	Bracket.....		
16	2				9959-0820-16	Skruv.....	Screw.....		
17	2				9739-0831-22	Mutter.....	Nut.....		
18	1				9997-0835-16	Skruv.....	Screw.....		
19	1				9739-0831-22	Mutter.....	Nut.....		
22	1				1134-2766-05	Reglagewire.....	Speed control cable.....		
23	2				9570-0001-00	Vinkellänk.....	Elbow link.....		
24	2				9739-0531-22	Mutter.....	Nut.....		
25	2				9747-0531-02	Mutter.....	Nut.....		
26	1				1134-6317-01	Wirefäste.....	Cable holder.....		
28	2				9959-0620-16	Skruv.....	Screw.....		
29	2				9739-0631-22	Mutter.....	Nut.....		
30	1				1134-3395-01	Fäste.....	Attachment.....		
31	2				9959-0820-16	Skruv.....	Screw.....		
32	2				9739-0831-22	Mutter.....	Nut.....		
33	1				1134-2021-01	Växelwirefäste.....	Clamp.....		
34	1				1134-5353-01	Bromsstång.....	Brake rod.....		
35	1				1134-2786-01	Plastknopp.....	Plastic knob.....		
36	1				1131-1497-01	Fjäder.....	Spring.....		
37	1				1134-4002-01	Fäste.....	Brake rod attachment.....		
38	3				9838-9516-12	Skruv.....	Screw.....		

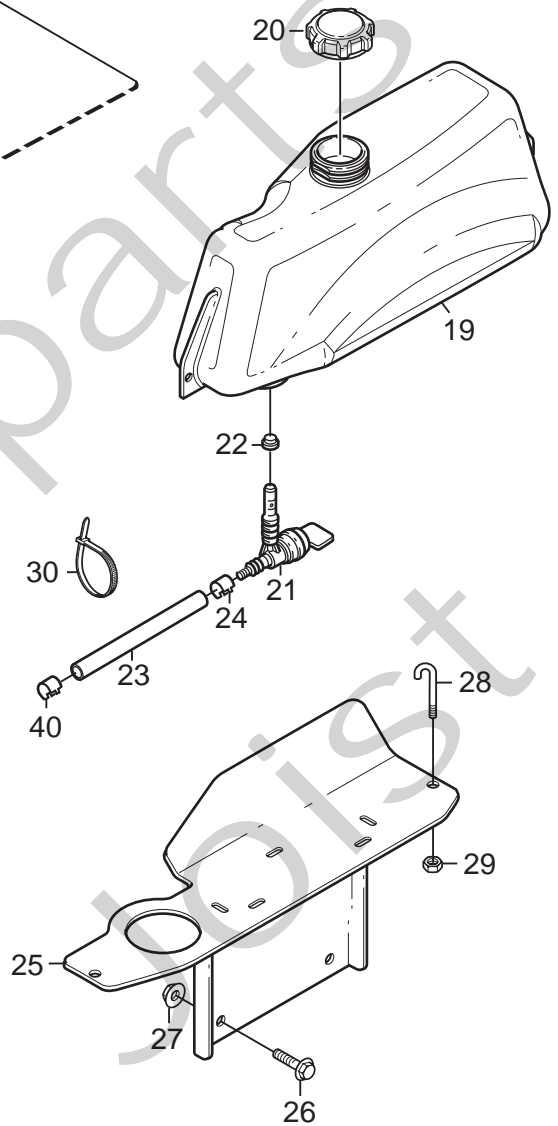
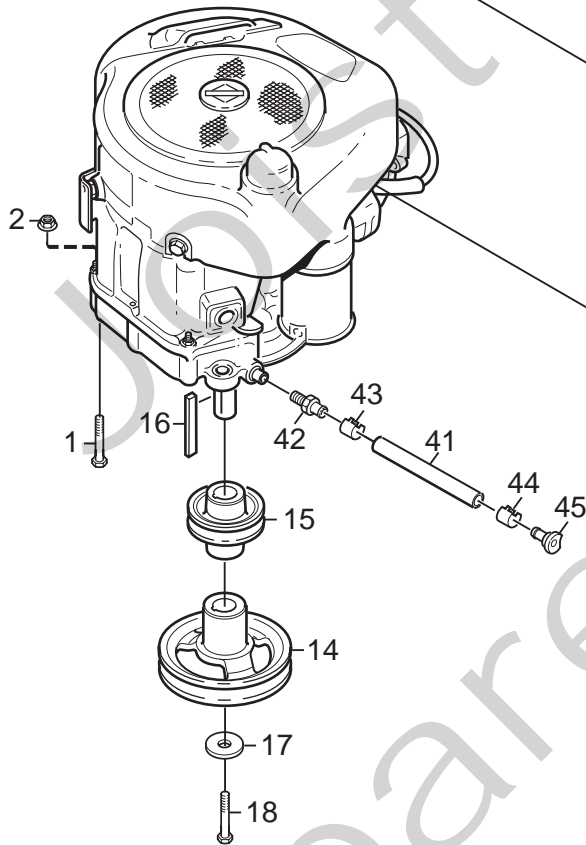
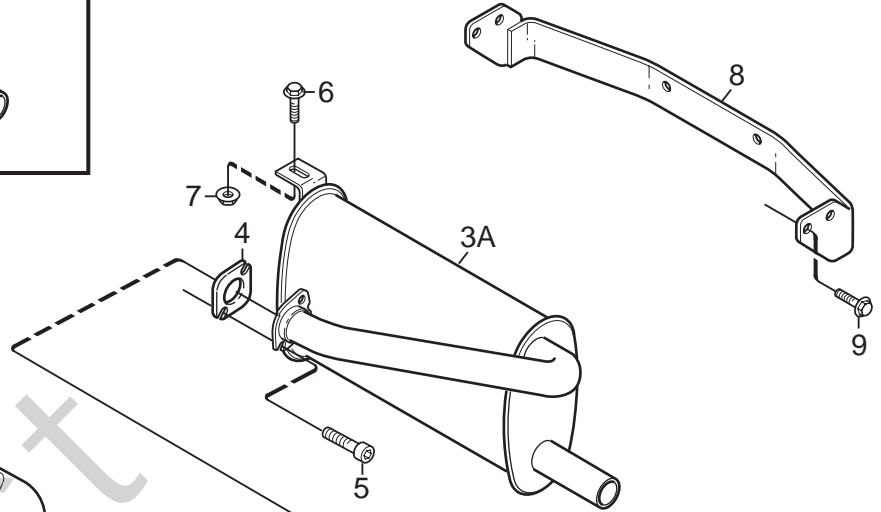
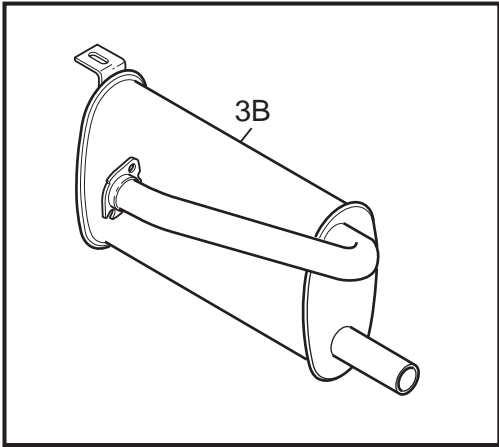
X



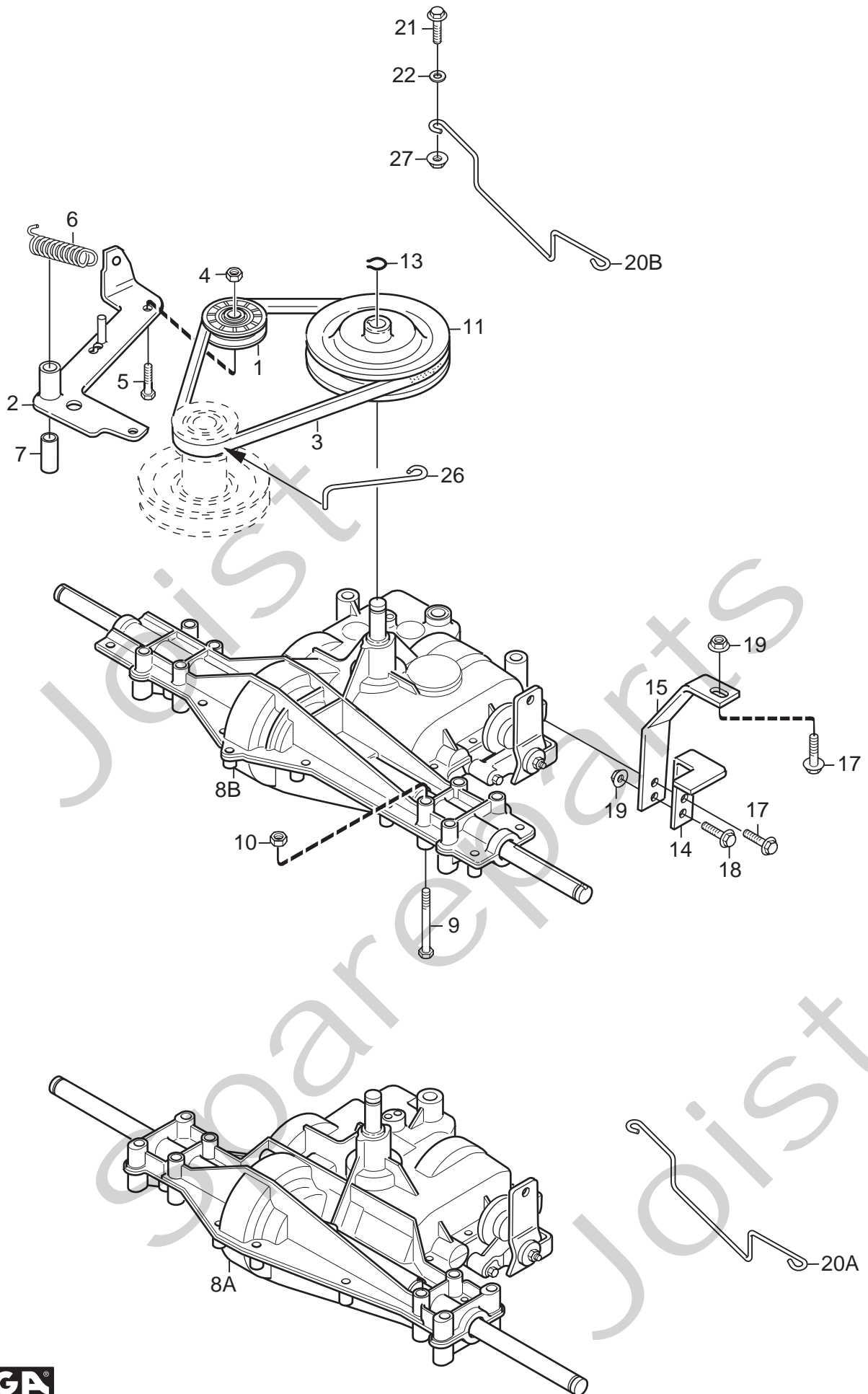
A



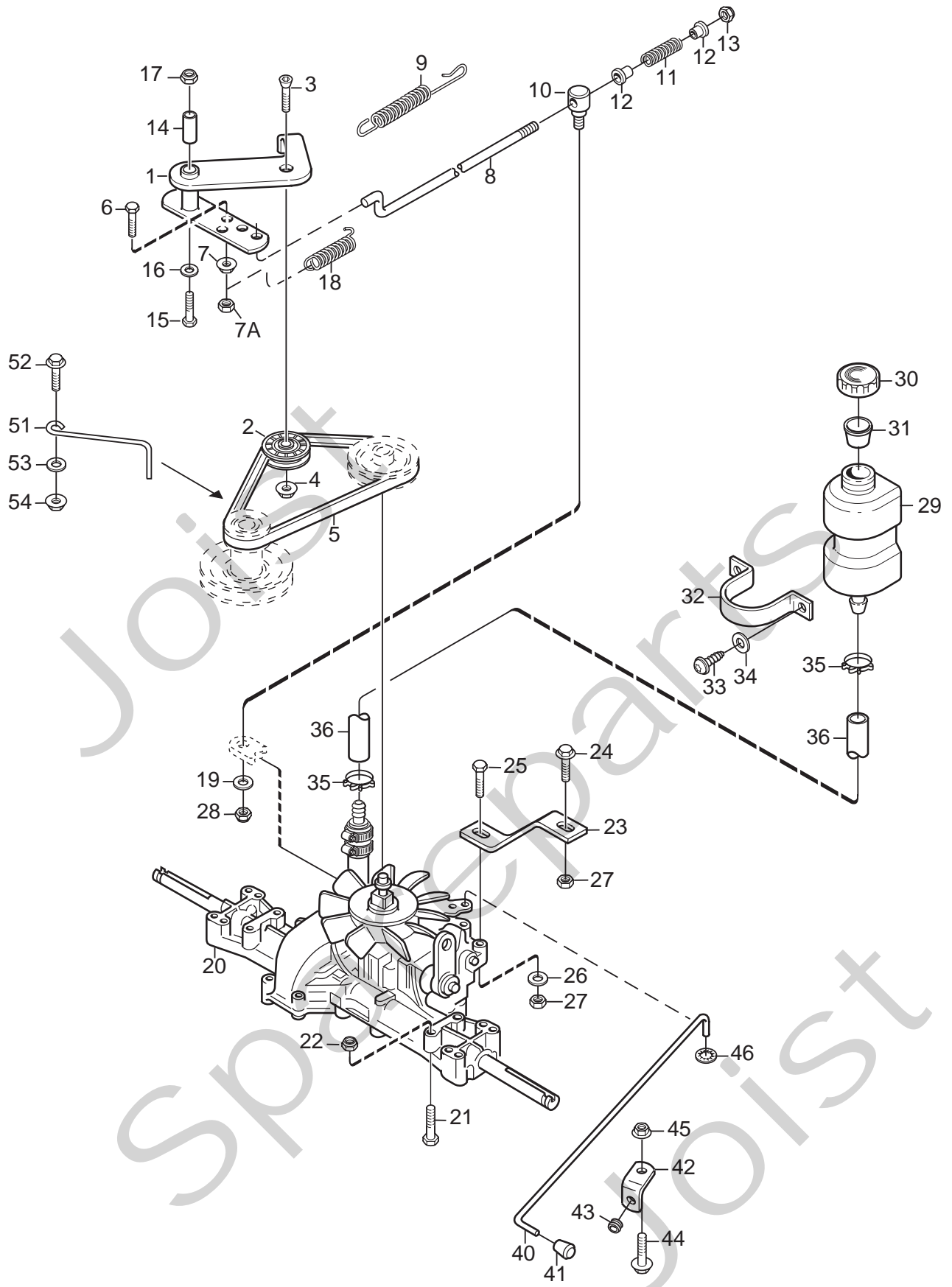
Utgåva Issue		Bildnr Picture No		PARK COMPACT ELUTRUSTNING		PARK COMPACT EL. EQUIPMENT		Sida Page	
2008- 11		1671A						26	
Pos. Fig.	Antal/Quantity			Art nr Part No	Benämning	Description	Sats Kit	Anmärkning Notes	
	6101	6102 6103	6104						
1	1	1	1	1134-4804-01	Batteri.....	Battery .....			
2	1			1134-5768-01	Kablage.....	Harness.....			
2		1	1	1134-5769-01	Kablage.....	Harness.....			
2A	1	1	1	1134-3496-06	• Säkring .....	• Fuse .....		20A	
3	1	1	1	1134-5343-01	Batterikonsol .....	Battery bracket.....			
4	3	3	3	9852-8013-16	Skruv.....	Screw.....			
5	2	2	2	9699-0060-02	Planbricka.....	Flat washer.....			
6	1	1	1	1134-2962-01	Solenoid kpl .....	Solenoid assy.....			
7	2	2	2	9852-8013-16	Skruv.....	Screw.....			
8	2	2	2	9794-5131-02	• Mutter.....	• Nut.....			
9	1	1	1	1134-4093-01	Tändningslås .....	Ignition switch .....			
10	1	1	1	1134-4749-01	Mutter.....	Nut.....			
11	1	1	1	1134-5245-01	Batterirem.....	Battery strap .....			
12	1	1	1	1134-2167-01	Kabel .....	Cable .....			
13	1	1	1	1134-0234-02	Batterikabel ( + ).....	Battery cable ( + ).....			
14	1	1	1	1134-2310-01	Batteriskydd.....	Guard cap .....			
15	1	1	1	9795-3531-02	Mutter.....	Nut.....			
16	15	15	15	9579-0003-00	Buntband .....	Cable holder .....			
20	1			1134-2871-03	Relä .....	Relay .....			
21	1			9852-8013-16	Skruv.....	Screw.....			
22	1			9699-0099-02	Bricka .....	Washer.....			
25		1	1	1134-3399-02	Brytare.....	Switch.....			
26		2	2	9943-0516-16	Skruv.....	Screw.....			
26		2	2	9997-0520-16	Skruv.....	Screw.....			
27		2	2	9747-0531-02	Mutter.....	Nut.....			



Utgåva Issue		Bildnr Picture No		PARK COMPACT MOTOR		PARK COMPACT ENGINE		Sida Page	
2008- 11		1672C						28	
Pos. Fig.	Antal/Quantity				Art nr Part No	Benämning	Description	Sats Kit	Anmärkning Notes
	6101	6102	6103	6104					
1	3	4	4	4	9955-3725-16	Skruv .....	Screw .....		3/8" UNC x 25 mm M8 x 80 mm
1	1				9997-0880-16	Skruv .....	Screw .....		
2	1				9739-0831-22	Mutter .....	Nut .....		
3A	1	1			1134-5370-01	Ljuddämpare .....	Muffler .....		
3B			1	1	1134-5369-01	Ljuddämpare .....	Muffler .....		
4	1	1	1	1	1134-0433-00	Ljuddämparpackning .....	Muffler gasket .....		
5	2	2	2	2	1134-4930-01	Skruv .....	Screw .....		
6	1	1	1	1	9959-0820-16	Skruv .....	Screw .....		
7	1	1	1	1	9739-0831-22	Mutter .....	Nut .....		
8	1	1	1	1	1134-5390-01	Dragkroksbalk .....	Tow bar bracket .....		
9	4	4	4	4	9945-0816-16	Skruv .....	Screw .....		
14	1	1	1	1	1134-6419-01	Motorremskiva .....	Engine pulley .....		
15	1	1	1	1	1134-6137-01	Motorremskiva .....	Engine pulley .....		
16	1	1	1	1	9600-0251-01	Kil .....	Key .....		L = 2 1/2"
17	1	1	1	1	1134-5017-01	Bricka .....	Washer .....		
18	1	1	1	1	9987-5332-16	Skruv .....	Screw .....		
19	1	1	1	1	1134-6618-01	Bränsletank .....	Fuel tank .....		
20	1	1	1	1	1134-5532-01	Tanklock .....	Fuel tank cap .....		
21	1	1	1	1	1134-3224-01	Bensinkran .....	Fuel shut-off valve .....		
22	1	1	1	1	1134-3225-01	Gummibussning .....	Grommet .....		
23	1	1	1	1	1134-2975-01	Bensinslang .....	Fuel hose .....		L = 520 mm
23				1	1134-2975-07	Bensinslang .....	Fuel hose .....		L = 350 mm
24	1	1	1	1	9578-0023-02	Slangklämma .....	Hose clamp .....		
25	1	1	1	1	1134-6627-01	Tankkonsol .....	Fuel tank bracket .....		
26	2	2	2	2	9959-0820-16	Skruv .....	Screw .....		
27	2	2	2	2	9739-0831-22	Mutter .....	Nut .....		
28	2	2	2	2	1134-5346-01	Tankbygel .....	Fuel tank loop .....		
29	2	2	2	2	9747-0631-02	Låsmutter .....	Lock nut .....		
30	1	1	1	1	9579-0003-00	Buntband .....	Cable holder .....		
40	1	1	1	1	9578-0023-02	Slangklämma .....	Hose clamp .....		
41	1	1	1	1	1134-5827-01	Oljeavtappning kpl .....	Oil drain assy .....		Pos 42- 45 incl.
42	1	1	1	1	1134-5825-01	• Nippel .....	• Nipple .....		
43	1	1	1	1	9578-0023-04	• Slangklämma .....	• Hose clamp .....		
44	1	1	1	1	1134-3499-02	• Slangklämma .....	• Hose clamp .....		
45	1	1	1	1	1134-5826-01	• Plugg .....	• Plug .....		



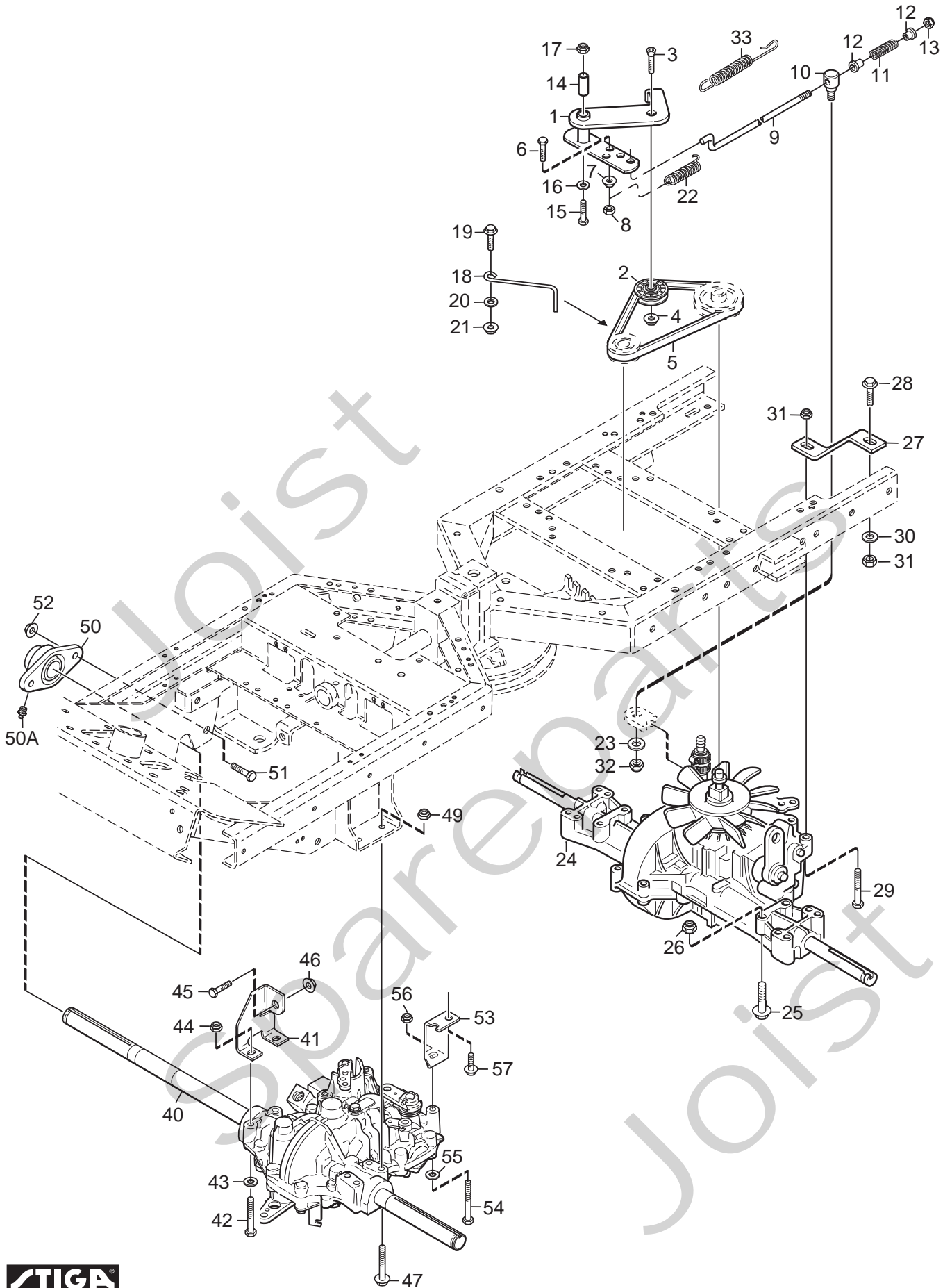
Utgåva Issue		Bildnr Picture No		PARK COMPACT 2WD TRANSMISSION		PARK COMPACT 2WD TRANSMISSION		Sida Page	
2008- 11		1667A						30	
Pos. Fig.	Antal/Quantity				Art nr Part No	Benämning	Description	Sats Kit	Anmärkning Notes
	6101								
1	1				1134-9027-02 Spännrulle-grå .....	Tension roller-grey .....			
2	1				1134-2015-04 Spännarm .....	Tension arm .....			
3	1				1134-9013-01 Drivrem .....	V- belt .....			= 9585-0057-00
4	1				9799-1031-02 Mutter .....	Nut .....			
5	1				9997-1030-16 Skruv .....	Screw .....			
6	1				1134-4337-01 Dragfjäder .....	Spring .....			
7	1				1134-1565-01 Distans .....	Spacer .....			
8A	1				1134-5282-01 Transaxel kpl. ....	Transaxle assy. ....			Dana 4360-198
8B	1				1134-6349-01 Transaxel kpl. ....	Transaxle assy. ....			Dana 6800-8
9	3				9960-0860-12 Skruv .....	Screw .....			L = 60 mm
9	1				9997-0870-16 Skruv .....	Screw .....			L = 70 mm
10	4				9747-0831-02 Mutter .....	Lock nut .....			
11	1				1134-3182-01 Remskiva .....	Belt pulley .....			
13	1				9650-0016-04 Spårring .....	Lock ring .....			
14	1				1134-2045-02 Bromsstopp .....	Brake stop .....			
15	1				1134-2986-01 Konsol .....	Bracket .....			
17	2				9942-0820-16 Skruv .....	Screw .....			
18	1				9959-0820-16 Skruv .....	Screw .....			
19	2				9739-0831-22 Mutter .....	Nut .....			
20A	1				1134-5529-01 Remstyrning .....	Belt guide .....			Dana 4360-198
20B	1				1134-5529-02 Remstyrning .....	Belt guide .....			Dana 6800-8
21	2				9959-0820-16 Skruv .....	Screw .....			
22	2				9699-0056-02 Planbricka .....	Flat washer .....			
26	1				1134-3289-02 Remstyrning .....	Belt guide .....			
27	2				9739-0831-22 Mutter .....	Nut .....			





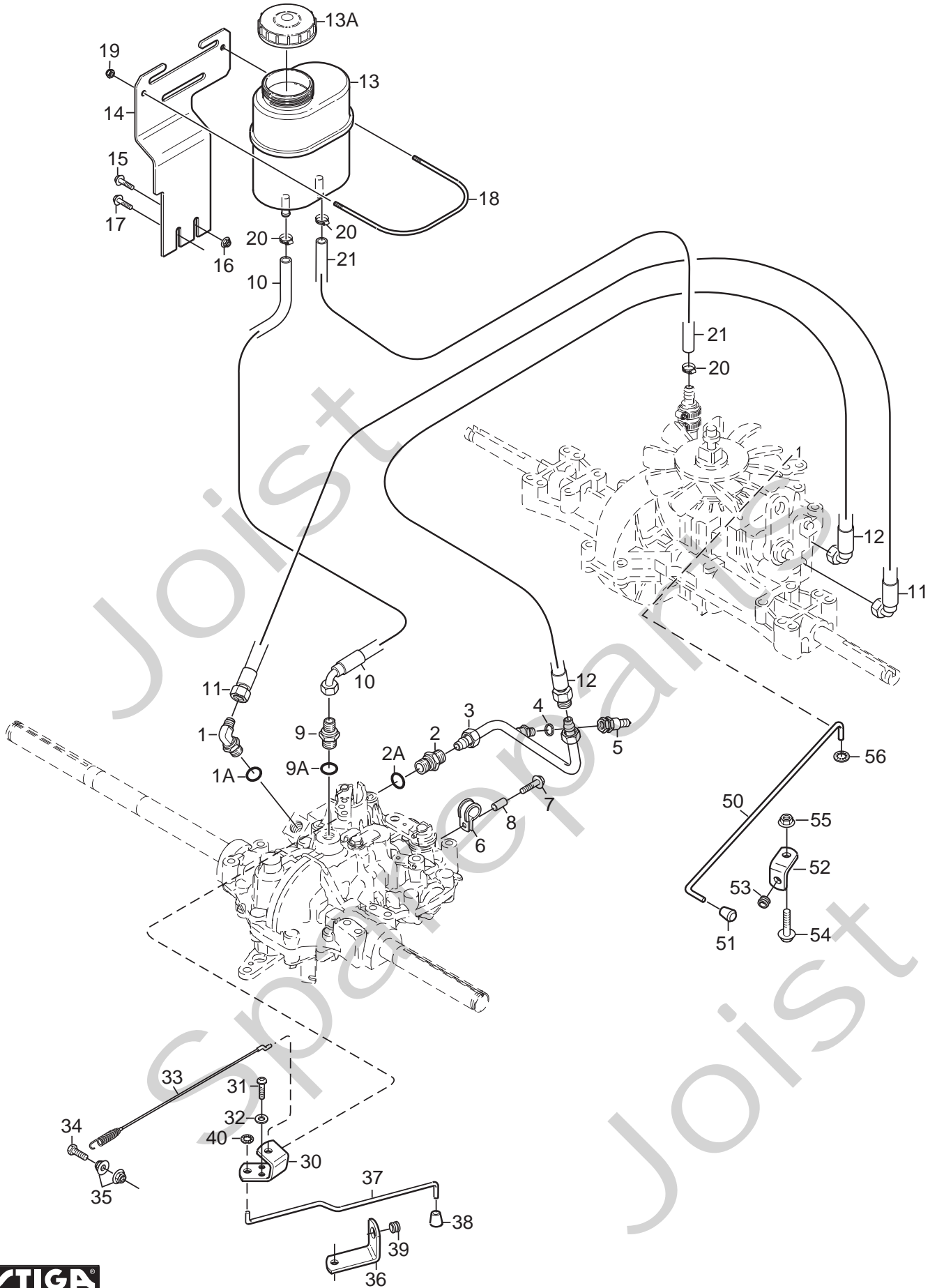
Utgåva Issue		Bildnr Picture No		PARK COMPACT HST 2WD TRANSMISSION		PARK COMPACT HST 2WD TRANSMISSION		Sida Page	
2008- 11		1668A						32	
Pos. Fig.	Antal/Quantity				Art nr Part No	Benämning	Description	Sats Kit	Anmärkning Notes
	6102	6103							
1	1				1134-4000-02 Spännarm .....	Tension arm .....			
2	1				1134-3459-01 Spännrulle .....	Tension roller .....			
3	1				9924-1035-16 Skruv .....	Screw .....			
4	1				9799-1031-02 Mutter .....	Nut .....			
5	1				1134-9058-01 Drivrem .....	V- belt.....			= 9585-0091-01
6	1				9997-0625-16 Skruv .....	Screw .....			
7	1				9739-0631-22 Mutter .....	Nut .....			
7A	1				9747-0631-02 Låsmutter .....	Lock nut .....			
8	1				1134-3377-02 Reglagestång .....	Control rod .....			
9	1				4231-0013-00 Fjäder .....	Spring .....			
10	1				1134-4171-01 Ledtapp .....	Pivot pin .....			
11	1				1134-4183-01 Tryckfjäder .....	Compression spring .....			
12	2				1134-3456-01 Bussning .....	Bushing .....			
13	1				9747-0631-02 Låsmutter .....	Lock nut .....			
14	1				1134-1565-08 Distans .....	Spacer .....			
15	1				9997-0870-16 Skruv .....	Screw .....			
16	1				9699-0056-02 Planbricka .....	Flat washer .....			
17	1				9747-0831-02 Mutter .....	Lock nut .....			
18	1				1134-6414-01 Fjäder .....	Spring .....			
19	1				9699-0060-02 Planbricka .....	Flat washer .....			
20	1				1134-4848-01 Transaxel kpl .....	Transaxle assy .....			Kanzaki K46G
21	4				9960-0860-12 Skruv .....	Screw .....			
22	4				9747-0831-02 Mutter .....	Lock nut .....			
23	1				1134-3913-01 Reaktionsstag .....	Strut .....			
24	1				9959-0825-16 Skruv .....	Screw .....			
25	1				9997-0845-12 Skruv .....	Screw .....			
26	1				9699-0090-02 Planbricka .....	Flat washer .....			
27	2				9747-0831-02 Mutter .....	Lock nut .....			
28	1				9747-0631-02 Låsmutter .....	Lock nut .....			
29	1				1134-2765-02 Oljetank .....	Oil tank .....			
30	1				1134-2777-02 Tanklock .....	Filler cap .....			
31	1				1134-3734-01 Luftningsplugg .....	Vent plug .....			
32	1				1134-2778-01 Fästband .....	Retainer strap .....			
33	2				9852-8013-16 Skruv .....	Screw .....			
34	2				9699-0099-02 Bricka .....	Washer .....			
35	2				9578-0023-04 Slangklämma .....	Hose clamp .....			
36	1				1134-2779-07 Slang .....	Tube .....			L = 140 mm
40	1				1134-4015-01 Dragstång .....	Pull rod .....			
41	1				1134-4014-01 Plastknopp .....	Plastic button .....			
42	1				1134-4713-01 Vinkel .....	Bracket .....			
43	1				1134-2790-01 Gummihylsa .....	Rubber grommet .....			
44	1				9959-0820-16 Skruv .....	Screw .....			
45	1				9739-0831-22 Mutter .....	Nut .....			
46	1				9675-0009-02 Starlock .....	Starlock .....			
51	1				1134-3289-02 Remstyrning .....	Belt guide .....			
52	1				9959-0820-16 Skruv .....	Screw .....			
53	1				9699-0056-02 Planbricka .....	Flat washer .....			
54	1				9739-0831-22 Mutter .....	Nut .....			

X

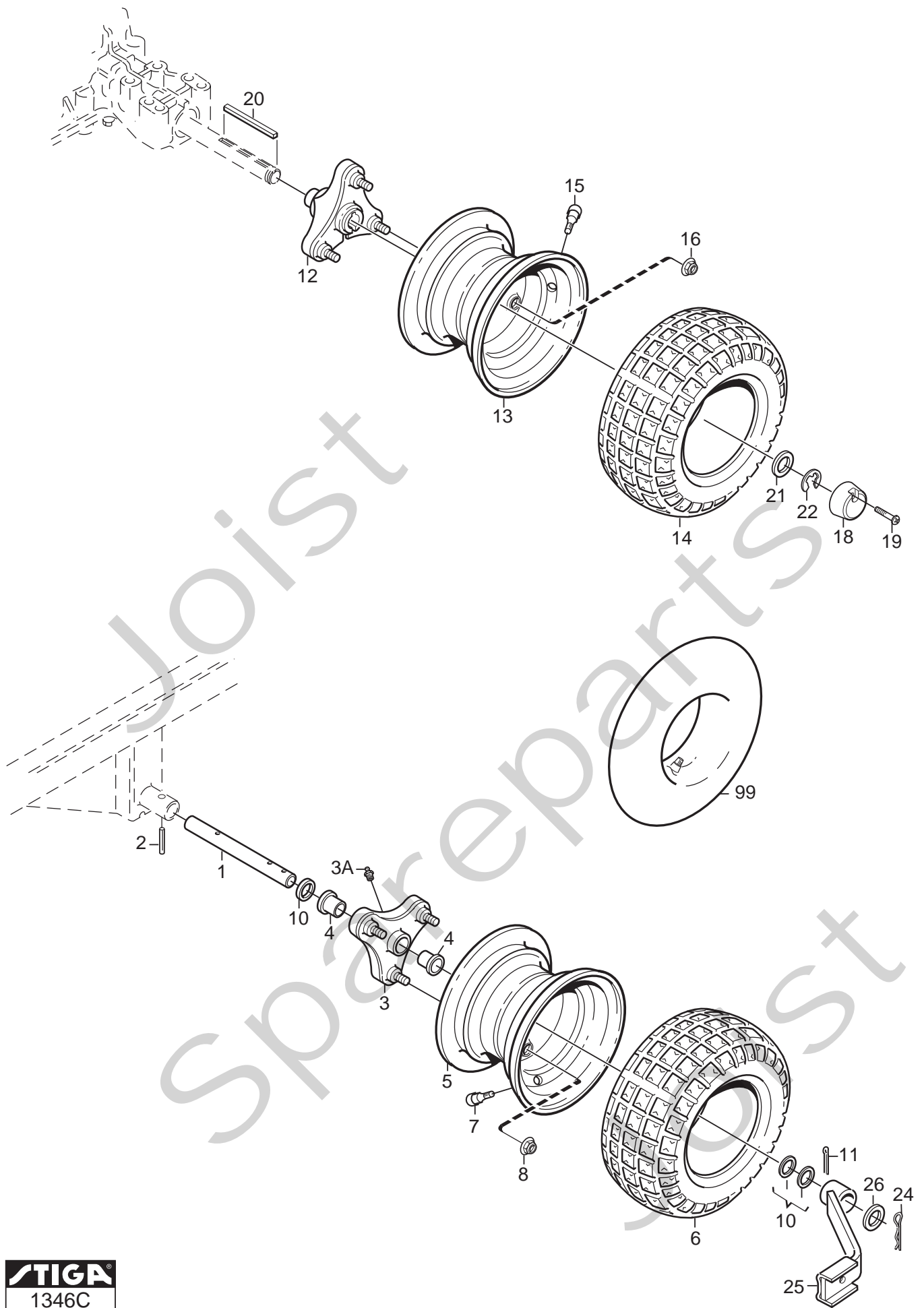


Utgåva Issue 2008- 11		Bildnr Picture No 2027A		PARK COMPACT 4WD TRANSMISSION (mekaniska delar)		PARK COMPACT 4WD TRANSMISSION (mechanical parts)		Sida Page 34	
Pos. Fig.	Antal/Quantity				Art nr Part No	Benämning	Description	Sats Kit	Anmärkning Notes
	6104								
1	1				1134- 4000- 02	Spännarm .....	Tension arm .....		= 9585- 0091- 01
2	1				1134- 3459- 01	Spännrulle .....	Tension roller .....		
3	1				9924- 1035- 16	Skruv .....	Screw .....		
4	1				9799- 1031- 02	Mutter .....	Nut .....		
5	1				1134- 9058- 01	Drivrem .....	V- belt.....		
6	1				9997- 0625- 16	Skruv .....	Screw .....		
7	1				9739- 0631- 22	Mutter .....	Nut .....		
8	1				9747- 0631- 02	Låsmutter .....	Lock nut .....		
9	1				1134- 3377- 02	Reglagestång .....	Control rod .....		
10	1				1134- 4171- 01	Ledtapp .....	Pivot pin .....		
11	1				1134- 4183- 01	Tryckfjäder .....	Compression spring .....		
12	2				1134- 3456- 01	Bussning .....	Bushing .....		
13	1				9747- 0631- 02	Låsmutter .....	Lock nut .....		
14	1				1134- 1565- 08	Distans .....	Spacer .....		
15	1				9997- 0870- 16	Skruv .....	Screw .....		
16	1				9699- 0056- 02	Planbricka .....	Flat washer .....		
17	1				9747- 0831- 02	Mutter .....	Lock nut .....		
18	1				1134- 3289- 02	Remstyrning .....	Belt guide .....		
19	1				9959- 0820- 16	Skruv .....	Screw .....		
20	1				9699- 0056- 02	Planbricka .....	Flat washer .....		
21	1				9739- 0831- 22	Mutter .....	Nut .....		
22	1				1134- 6414- 01	Fjäder .....	Spring .....		
23	1				9699- 0060- 02	Planbricka .....	Flat washer .....		
24	1				1134- 6394- 01	Transaxel kpl .....	Transaxle assy .....	Kanzaki K574G	
25	4				9960- 0860- 12	Skruv .....	Screw .....		
26	4				9747- 0831- 02	Mutter .....	Lock nut .....		
27	1				1134- 3913- 01	Reaktionsstag .....	Strut .....		
28	1				9959- 0825- 16	Skruv .....	Screw .....		
29	1				9997- 0845- 12	Skruv .....	Screw .....		
30	1				9699- 0090- 02	Planbricka .....	Flat washer .....		
31	2				9747- 0831- 02	Mutter .....	Lock nut .....		
32	1				9747- 0631- 02	Låsmutter .....	Lock nut .....		
33	1				4231- 0013- 00	Fjäder .....	Spring .....		
40	1				1134- 6029- 01	Motoraxel- fram .....	Transaxle- front .....	Kanzaki KTM 10M	
41	1				1134- 5650- 01	Transaxelfäste .....	Transaxle bracket .....		
42	2				9997- 0860- 16	Skruv .....	Screw .....		
43	2				9699- 0090- 02	Planbricka .....	Flat washer .....		
44	2				9747- 0831- 02	Mutter .....	Lock nut .....		
45	1				9959- 1025- 16	Skruv .....	Screw .....		
46	1				9731- 1031- 22	Mutter .....	Nut .....		
47	2				9960- 0860- 12	Skruv .....	Screw .....		
49	2				9747- 0831- 02	Mutter .....	Lock nut .....		
50	1				1134- 5703- 01	Flänslagerenhet .....	Flange bearing .....		
50A	1				9501- 0500- 00	• Smörjnippel .....	• Grease joint .....		
51	2				9997- 1040- 16	Skruv .....	Screw .....		
52	2				9731- 1031- 22	Mutter .....	Nut .....		
53	1				1134- 5670- 01	Reaktionsstag .....	Strut .....		
54	1				9997- 0880- 16	Skruv .....	Screw .....		
55	1				9699- 0090- 02	Planbricka .....	Flat washer .....		
56	1				9747- 0831- 02	Mutter .....	Lock nut .....		
57	2				9945- 0816- 16	Skruv .....	Screw .....		

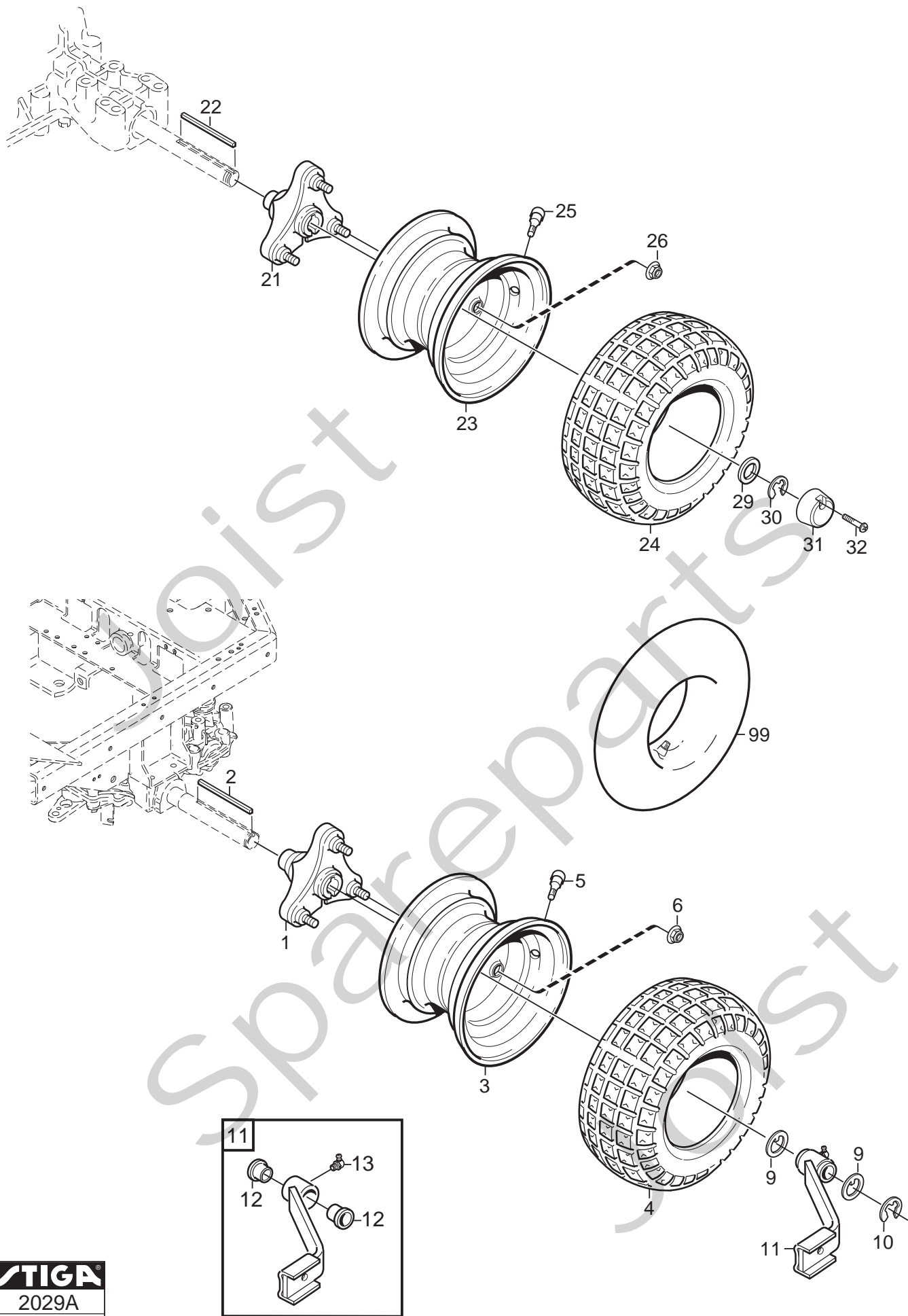
X



Utgåva Issue 2008- 11		Bildnr Picture No 2028		PARK COMPACT 4WD TRANSMISSION (hydrauliska delar)		PARK COMPACT 4WD TRANSMISSION (hydraulic parts)		Sida Page 36	
Pos. Fig.	Antal/Quantity				Art nr Part No	Benämning	Description	Sats Kit	Anmärkning Notes
	6104								
1	1				1134- 6044- 01	Vinkeladapter .....	Angle coupling .....		3/4" x 9/16"
1A	1				9404- 0029- 01	• O- ring .....	• O- ring .....		
2	1				1134- 5875- 01	Skärringskoppling .....	Hydraulic coupling .....		3/4"
2A	1				9404- 0029- 01	• O- ring .....	• O- ring .....		
3	1				1134- 6039- 01	Hydraulrör .....	Hydraulic pipe .....		
4	1				1134- 4948- 01	Tredobricka .....	Seal washer .....		1/4"
5	1				1134- 6042- 01	Snabbkoppling- hane .....	Quick coupling- male .....		
6	1				9578- 0028- 01	Rörklammer .....	Tube clamp .....		
7	1				9959- 0825- 16	Skruv .....	Screw .....		
8	1				1134- 1565- 09	Distans .....	Spacer .....		
9	1				1134- 5809- 01	Adapter .....	Hydraulic coupling .....		3/4" x 9/16"
9A	1				9404- 0029- 01	• O- ring .....	• O- ring .....		
10	1				1134- 5758- 01	Hydraulslang .....	Hydraulic tube .....		
11	1				1134- 6048- 01	Hydraulslang .....	Hydraulic tube .....		
12	1				1134- 6043- 01	Hydraulslang .....	Hydraulic tube .....		
13	1				1134- 6011- 01	Hydraultank .....	Hydraulic oil tank .....		
13A	1				1134- 5965- 01	• Tanklock .....	• Tank cap .....		
14	1				1134- 6009- 01	Tankkonsol .....	Tank bracket .....		
15	1				9959- 0820- 16	Skruv .....	Screw .....		
16	1				9739- 0831- 22	Mutter .....	Nut .....		
17	1				9945- 0816- 16	Skruv .....	Screw .....		
18	1				1134- 6030- 01	Tankbygel .....	Tank loop .....		
19	2				9747- 0631- 02	Låsmutter .....	Lock nut .....		
20	3				9578- 0023- 04	Slangklämma .....	Hose clamp .....		
21	1				1134- 2779- 08	Slang .....	Tube .....		L = 165 mm
30	1				1134- 6162- 01	Fäste .....	Bracket .....		
31	2				9939- 0612- 16	Skruv .....	Screw .....		
32	2				9699- 0025- 02	Planbricka .....	Washer .....		
33	1				1134- 6163- 01	Wire .....	Cable .....		
34	1				9997- 0835- 12	Skruv .....	Screw .....		
35	2				9739- 0831- 22	Mutter .....	Nut .....		
36	1				1134- 6084- 01	Reglagekonsol .....	Control bracket .....		
37	1				1134- 6083- 01	Reglagestång .....	Control rod .....		
38	1				1134- 4014- 01	Plastknopp .....	Plastic button .....		
39	1				1134- 2790- 01	Gummihylsa .....	Rubber grommet .....		
40	1				9675- 0009- 02	Starlock .....	Starlock .....		
50	1				1134- 4015- 01	Dragstång .....	Pull rod .....		
51	1				1134- 4014- 01	Plastknopp .....	Plastic button .....		
52	1				1134- 4713- 01	Vinkel .....	Bracket .....		
53	1				1134- 2790- 01	Gummihylsa .....	Rubber grommet .....		
54	1				9959- 0820- 16	Skruv .....	Screw .....		
55	1				9739- 0831- 22	Mutter .....	Nut .....		
56	1				9675- 0009- 02	Starlock .....	Starlock .....		

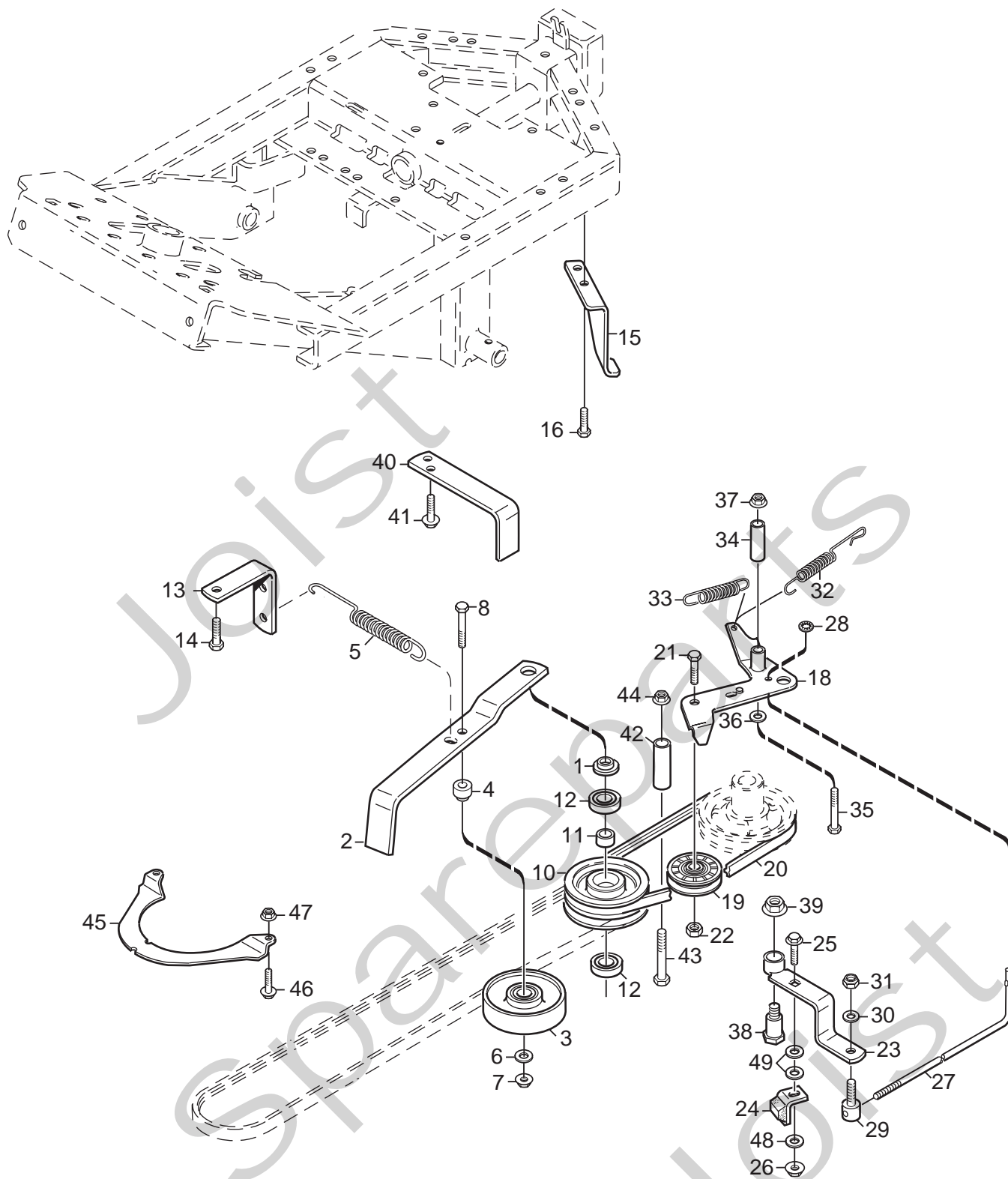


Utgåva Issue		Bildnr Picture No		PARK COMPACT 2WD HJUL		PARK COMPACT 2WD WHEELS		Sida Page	
2008- 11		1346C						38	
Pos. Fig.	Antal/Quantity			Art nr Part No	Benämning	Description	Sats Kit	Anmärkning Notes	
	6101	6102	6103						
1	2	2	2	1134-0075-01	Framaxeltapp .....	Front axle .....			
2	2	2	2	9595-0258-00	Spännstift .....	Locating pin .....			
3	2	2	2	1134-4844-05	Hjulnav kpl.....	Wheel hub assy.....			
3A	1	1	1	9501-0500-00	• Smörjnippel .....	• Grease joint.....			
4	1	1	1	1134-9026-01	• Lagerbussning.....	• Bearing bush kit .....		Sats 4 st/kit of 4	
5			2	1134-4558-01	Fälg.....	Rim .....			
5	2	2		1134-5255-01	Fälg.....	Rim .....			
6			2	9545-0116-00	Däck .....	Tyre .....		16 x 7.50 - 8	
6	2	2		9545-0126-01	Däck .....	Tyre .....		16 x 6.00 - 8	
7	2	2	2	9545-0500-00	Ventil .....	Valve .....			
8	6	6	6	9731-1031-22	Mutter.....	Nut .....			
10	8	8	8	1134-0341-01	Bricka .....	Washer.....			
11	2	2	2	9599-0080-02	Saxsprint .....	Cotter pin .....			
12	2	2	2	1134-4844-02	Hjulnav .....	Wheel hub .....			
13			2	1134-4558-01	Fälg.....	Rim .....			
13	2	2		1134-5255-01	Fälg.....	Rim .....			
14			2	9545-0116-00	Däck .....	Tyre .....		16 x 7.50 - 8	
14	2	2		9545-0126-01	Däck .....	Tyre .....		16 x 6.00 - 8	
15	2	2	2	9545-0500-00	Ventil .....	Valve .....			
16	6	6	6	9731-1031-22	Mutter.....	Nut .....			
18	2	2	2	1134-4796-01	Navkapsel .....	Hub cap.....			
19	2	2	2	9947-0540-19	Skruv.....	Screw.....			
20	2	2	2	1134-2471-01	Kil .....	Key .....		L = 58 mm	
21	2	2	2	9699-0042-02	Planbricka.....	Flat washer.....			
22	2	2	2	9653-0001-04	Spärryttare .....	Lock ring.....			
24	2	2	2	9598-0003-02	Låsnål.....	Spring pin .....			
25	2	2	2	1134-3710-01	Redskapsfäste .....	Tool attachment .....			
26	2	2	2	9699-0042-02	Planbricka.....	Flat washer.....			
99				9545-0203-00	Innerslang .....	Inner tube .....		Reservdel/spare part	

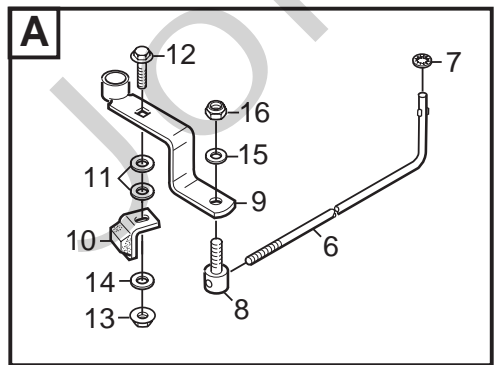
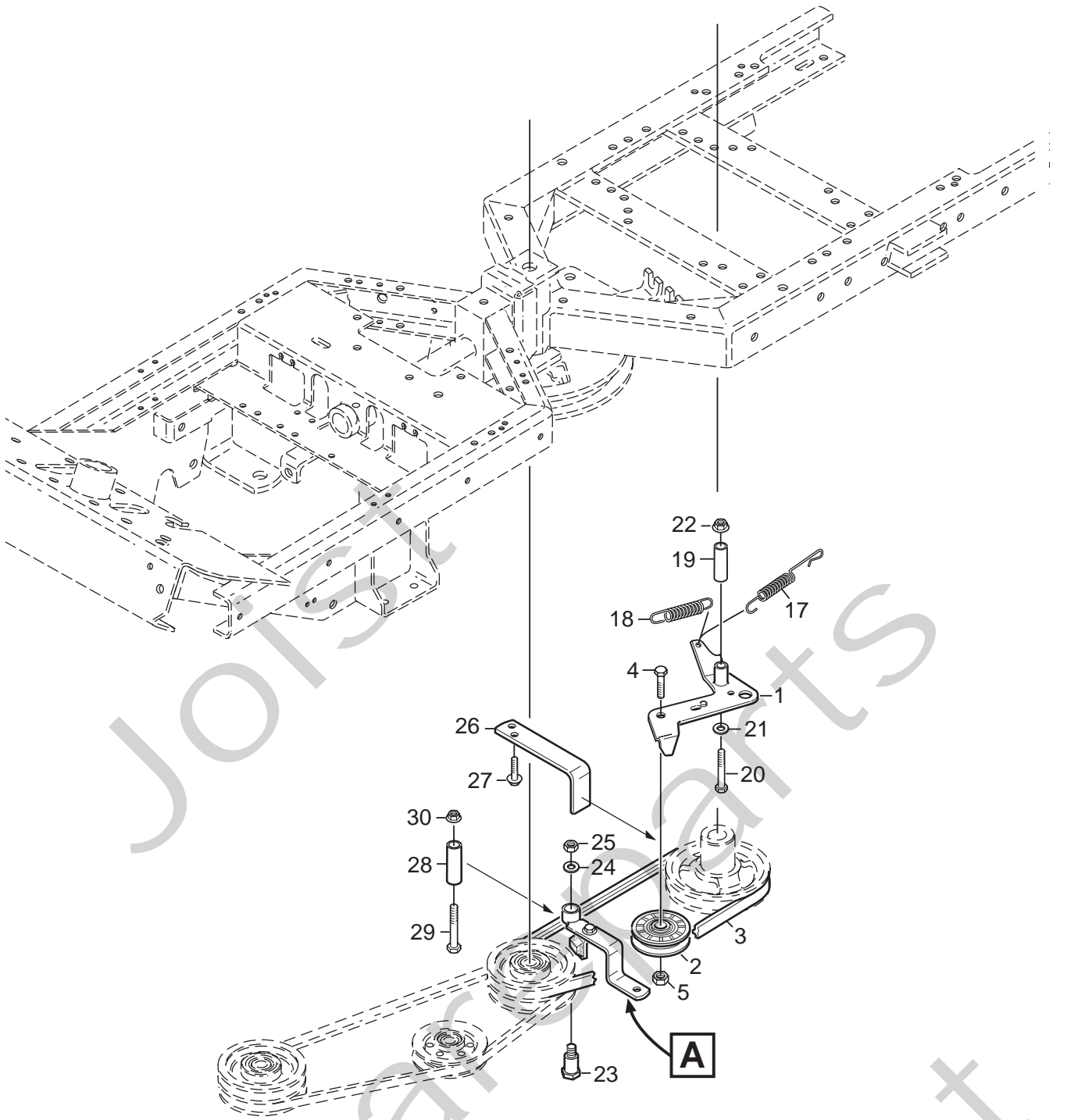




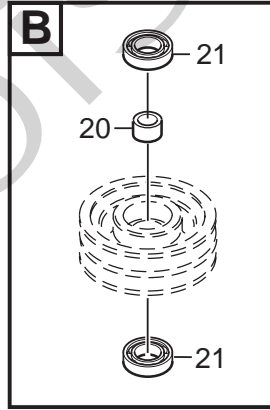
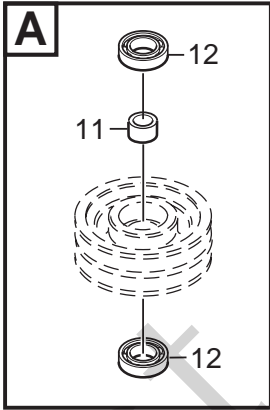
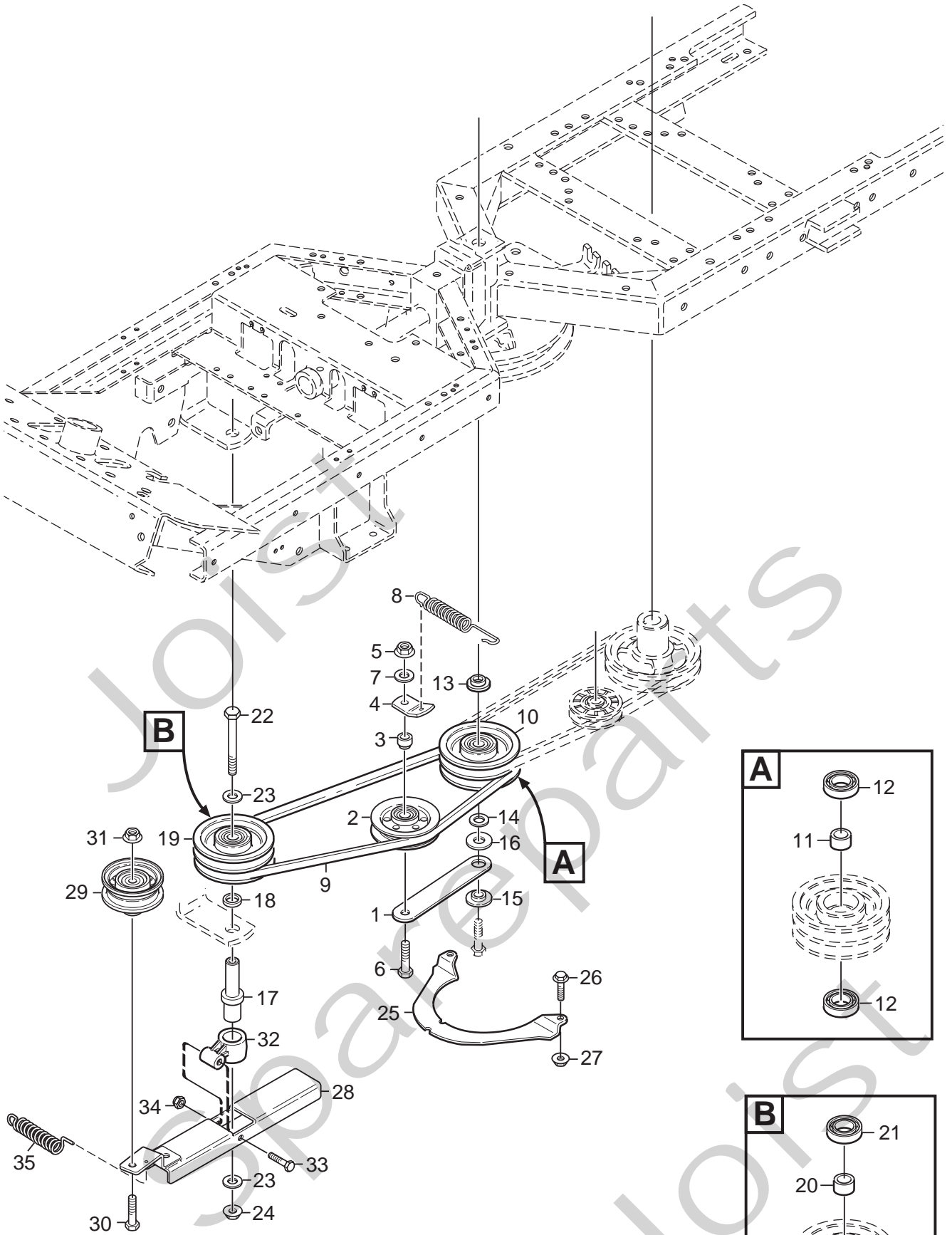
Utgåva Issue		Bildnr Picture No		PARK COMPACT 4WD HJUL		PARK COMPACT 4WD WHEELS		Sida Page	
2008- 11		2029A						40	
Pos. Fig.	Antal/Quantity				Art nr Part No	Benämning	Description	Sats Kit	Anmärkning Notes
	6104								
1	2				1134-4844-03 Hjulnav .....	Wheel hub .....			
2	2				1134-3383-02 Kil .....	Key .....			
3	2				1134-4558-01 Fälg .....	Rim .....			
4	2				9545-0116-00 Däck .....	Tyre .....			16 x 7.50 - 8
5	2				9545-0500-00 Ventil .....	Valve .....			
6	6				9731-1031-22 Mutter .....	Nut .....			
9	4				1134-5797-01 Bricka .....	Washer .....			
10	2				9653-0002-04 Spårryttare .....	Lock ring .....			
11	2				1134-5886-01 Redskapsfäste kpl. ....	Tool attachment assy .....			
12	2				1134-5686-01 • Lagerbussning .....	• Bearing bush .....			
13	1				9501-0502-00 • Smörjnippel .....	• Grease joint .....			
21	2				1134-4844-02 Hjulnav .....	Wheel hub .....			
22	2				1134-2471-01 Kil .....	Key .....			
23	2				1134-4558-01 Fälg .....	Rim .....			
24	2				9545-0116-00 Däck .....	Tyre .....			16 x 7.50 - 8
25	2				9545-0500-00 Ventil .....	Valve .....			
26	6				9731-1031-22 Mutter .....	Nut .....			
29	2				9699-0042-02 Planbricka .....	Flat washer .....			
30	2				9653-0001-04 Spårryttare .....	Lock ring .....			
31	2				1134-4796-01 Navkapsel .....	Hub cap .....			
32	2				9947-0540-19 Skruv .....	Screw .....			
99					9545-0203-00 Innerslang .....	Inner tube .....			Reservdel/spare part



Utgåva Issue		Bildnr Picture No		PARK COMPACT 2WD KRAFTUTTAG		PARK COMPACT 2WD POWER TAKE- OFF		Sida Page	
2008- 11		1030G						42	
Pos. Fig.	Antal/Quantity				Art nr Part No	Benämning	Description	Sats Kit	Anmärkning Notes
	6101	6102	6103						
1	1				1134-5548-01	Distans .....	Spacer .....		
2	1				1134-5109-01	Spännhjulssarm .....	Tension wheel arm .....		
3	1				1134-1770-01	Spännrulle .....	Tension roller .....		
4	1				1134-1888-04	Distans .....	Spacer .....		
5	1				1134-5111-01	Fjäder .....	Spring .....		
6	1				9699-0056-02	Planbricka .....	Flat washer .....		
7	1				9739-0831-22	Mutter .....	Nut .....		
8	1				9997-0855-12	Skruv .....	Screw .....		
10	1				1134-1769-03	Centrumremskiva kpl. ....	Centre pulley assy .....		
11	1				1134-0051-09	• Distans .....	• Spacer .....		
12	2				9549-0019-00	• Kullager .....	• Ball bearing .....		
13	1				1134-5112-01	Fjäderfäste .....	Spring attachment .....		
14	2				9945-0816-16	Skruv .....	Screw .....		
15	1				1134-5110-01	Hake .....	Hook .....		
16	2				9893-0616-16	Skruv .....	Screw .....		
18	1				1134-2018-02	Spännarm .....	Tension arm .....		
19	1				1134-9027-02	Spännrulle- grå .....	Tension roller- grey .....		
20	1				1134-9071-01	Drivrem .....	V- belt .....		= 9585-0129-01
21	1				9997-1030-16	Skruv .....	Screw .....		
22	1				9799-1031-02	Mutter .....	Nut .....		
23	1				1134-4111-01	Bromsarm .....	Brake arm .....		
24	1				1134-4164-03	Bromsklots .....	Brake pad .....		
25	1				9897-0825-16	Skruv .....	Screw .....		
26	1				9747-0831-02	Mutter .....	Lock nut .....		
27	1				1134-4162-01	Bromsstång .....	Brake rod .....		
28	1				9675-0008-02	Starlock .....	Locking washer .....		
29	1				1134-4170-01	Nippel .....	Nipple .....		
30	1				9699-0025-02	Planbricka .....	Washer .....		
31	1				9747-0631-02	Låsmutter .....	Lock nut .....		
32	1				4231-0013-00	Fjäder .....	Spring .....		
33	1				1134-4231-01	Dragfjäder .....	Spring .....		
34	1				1134-1565-10	Distans .....	Spacer .....		
35	1				9997-0860-16	Skruv .....	Screw .....		
36	1				9699-0056-02	Planbricka .....	Flat washer .....		
37	1				9739-0831-22	Mutter .....	Nut .....		
38	1				1134-4163-01	Ansatsskruv .....	Shoulder bolt .....		
39	1				9731-1031-22	Mutter .....	Nut .....		
40	1				1134-3958-01	Remstyrning .....	Belt guide .....		
41	2				9893-0616-16	Skruv .....	Screw .....		
42	1				1134-0041-03	Hylsa .....	Collar .....		
43	1				9997-1070-12	Skruv .....	Screw .....		
44	1				9739-1031-22	Mutter .....	Nut .....		
45	1				1134-3654-01	Fingerskydd .....	Finger guard .....		
46	2				9959-0612-16	Skruv .....	Screw .....		
47	2				9739-0631-22	Mutter .....	Nut .....		
48	1				9699-0090-02	Planbricka .....	Flat washer .....		
49	2				9699-0035-02	Planbricka .....	Flat washer .....		



Utgåva Issue		Bildnr Picture No		PARK COMPACT 4WD KRAFTUTTAG 1		PARK COMPACT 4WD POWER TAKE-OFF 1		Sida Page	
2008-11		2030						44	
Pos. Fig.	Antal/Quantity				Art nr Part No	Benämning	Description	Sats Kit	Anmärkning Notes
	6104								
1	1			1134-2018-02	Spännarm .....	Tension arm .....			
2	1			1134-9027-02	Spännrulle- grå .....	Tension roller- grey .....			
3	1			1134-9071-01	Drivrem .....	V- belt .....			= 9585-0129-01
4	1			9997-1030-16	Skruv .....	Screw .....			
5	1			9799-1031-02	Mutter .....	Nut .....			
6	1			1134-4162-01	Bromsstång .....	Brake rod .....			
7	1			9675-0008-02	Starlock .....	Locking washer .....			
8	1			1134-4170-01	Nippel .....	Nipple .....			
9	1			1134-4111-01	Bromsarm .....	Brake arm .....			
10	1			1134-4164-03	Bromsklots .....	Brake pad .....			
11	2			9699-0035-02	Planbricka .....	Flat washer .....			
12	1			9897-0825-16	Skruv .....	Screw .....			
13	1			9747-0831-02	Mutter .....	Lock nut .....			
14	1			9699-0090-02	Planbricka .....	Flat washer .....			
15	1			9699-0025-02	Planbricka .....	Washer .....			
16	1			9747-0631-02	Låsmutter .....	Lock nut .....			
17	1			4231-0013-00	Fjäder .....	Spring .....			
18	1			1134-4231-01	Dragfjäder .....	Spring .....			
19	1			1134-1565-10	Distans .....	Spacer .....			
20	1			9997-0860-16	Skruv .....	Screw .....			
21	1			9699-0056-02	Planbricka .....	Flat washer .....			
22	1			9739-0831-22	Mutter .....	Nut .....			
23	1			1134-4163-01	Ansatskruv .....	Shoulder bolt .....			
24	1			9699-0035-02	Planbricka .....	Flat washer .....			
25	1			9739-1031-22	Mutter .....	Nut .....			
26	1			1134-3958-01	Remstyrning .....	Belt guide .....			
27	2			9893-0616-16	Skruv .....	Screw .....			
28	1			1134-0041-03	Hylsa .....	Collar .....			
29	1			9997-1070-12	Skruv .....	Screw .....			
30	1			9739-1031-22	Mutter .....	Nut .....			



Utgåva Issue		Bildnr Picture No		PARK COMPACT 4WD KRAFTUTTAG 2		PARK COMPACT 4WD POWER TAKE-OFF 2		Sida Page	
2008-11		2031A						46	
Pos. Fig.	Antal/Quantity				Art nr Part No	Benämning	Description	Sats Kit	Anmärkning Notes
	6104								
1	1				1134-1730-01 Spännhjulssarm .....	Tension wheel arm .....			
2	1				1134-3663-01 Spännrulle .....	Tension wheel .....			
3	1				1134-1888-05 Distans .....	Spacer .....			
4	1				1134-1893-01 Fjäderfäste .....	Spring attachment .....			
5	1				9739-1031-22 Mutter .....	Nut .....			
6	1				9997-1060-12 Skruv .....	Screw .....			
7	1				9699-0035-02 Planbricka .....	Flat washer .....			
8	1				1134-5713-01 Dragfjäder .....	Spring .....			
9	1				1134-9098-01 Drivrem .....	V-belt .....			= 9585-0148-01
10	1				1134-1769-03 Centrumremskiva kpl. ....	Centre pulley assy .....			
11	1				1134-0051-09 • Distans .....	• Spacer .....			
12	2				9549-0019-00 • Kullager .....	• Ball bearing .....			
13	1				1134-5548-01 Distans .....	Spacer .....			
14	1				9699-0035-02 Planbricka .....	Flat washer .....			
15	1				1134-0222-00 Bricka .....	Washer .....			
16	1				9699-0109-02 Planbricka .....	Flat washer .....			
17	1				1134-5663-01 Axel .....	Shaft .....			
18	1				1134-0052-00 Lagerdistans .....	Bearing spacer .....			
19	1				1134-1769-03 Centrumremskiva kpl. ....	Centre pulley assy .....			
20	1				1134-0051-09 • Distans .....	• Spacer .....			
21	2				9549-0019-00 • Kullager .....	• Ball bearing .....			
22	1				9997-1011-06 Skruv .....	Screw .....			
23	2				9699-0030-02 Planbricka .....	Flat washer .....			
24	1				9739-1031-22 Mutter .....	Nut .....			
25	1				1134-3654-01 Fingerskydd .....	Finger guard .....			
26	2				9959-0612-16 Skruv .....	Screw .....			
27	2				9739-0631-22 Mutter .....	Nut .....			
28	1				1134-5660-01 Spännarm .....	Tension arm .....			
29	1				1134-5823-01 Spännrulle .....	Tension roller .....			
30	1				9997-1050-16 Skruv .....	Screw .....			
31	1				9739-1031-22 Mutter .....	Nut .....			
32	1				1134-6314-01 Spännarmsfäste .....	Attachment .....			
33	1				9997-0645-12 Skruv .....	Screw .....			
34	1				9747-0631-02 Låsmutter .....	Lock nut .....			
35	1				1134-5824-01 Fjäder .....	Spring .....			