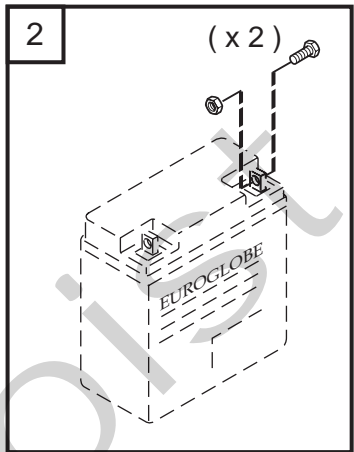
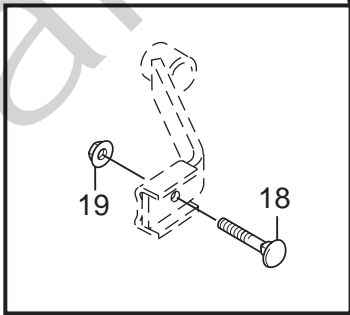
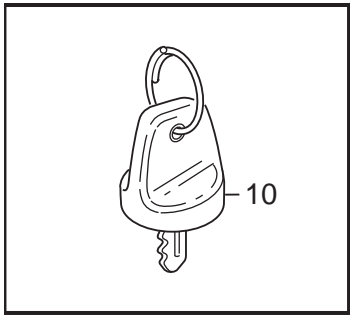
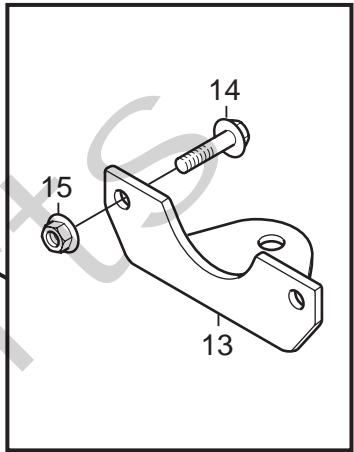
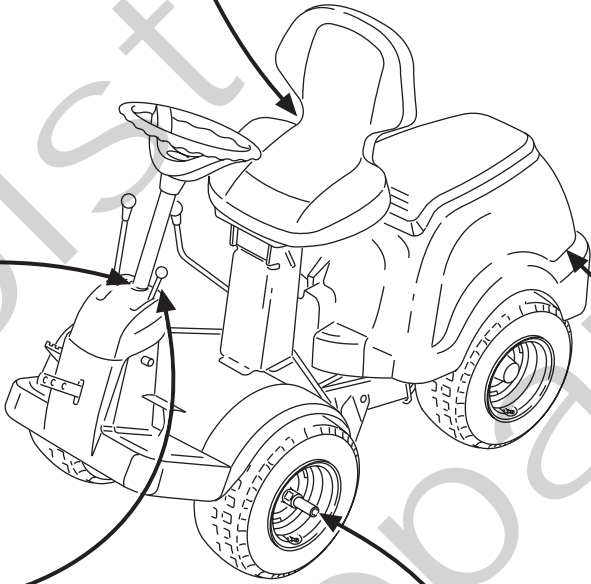
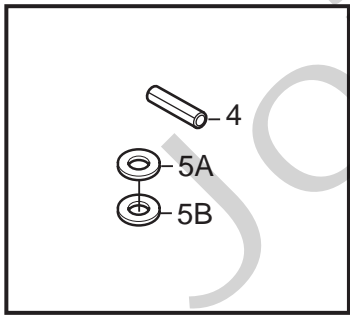
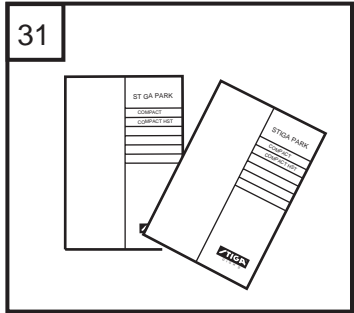
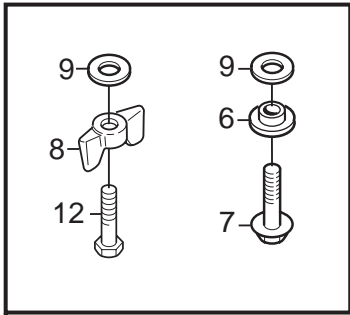


# Genuine Spare Parts

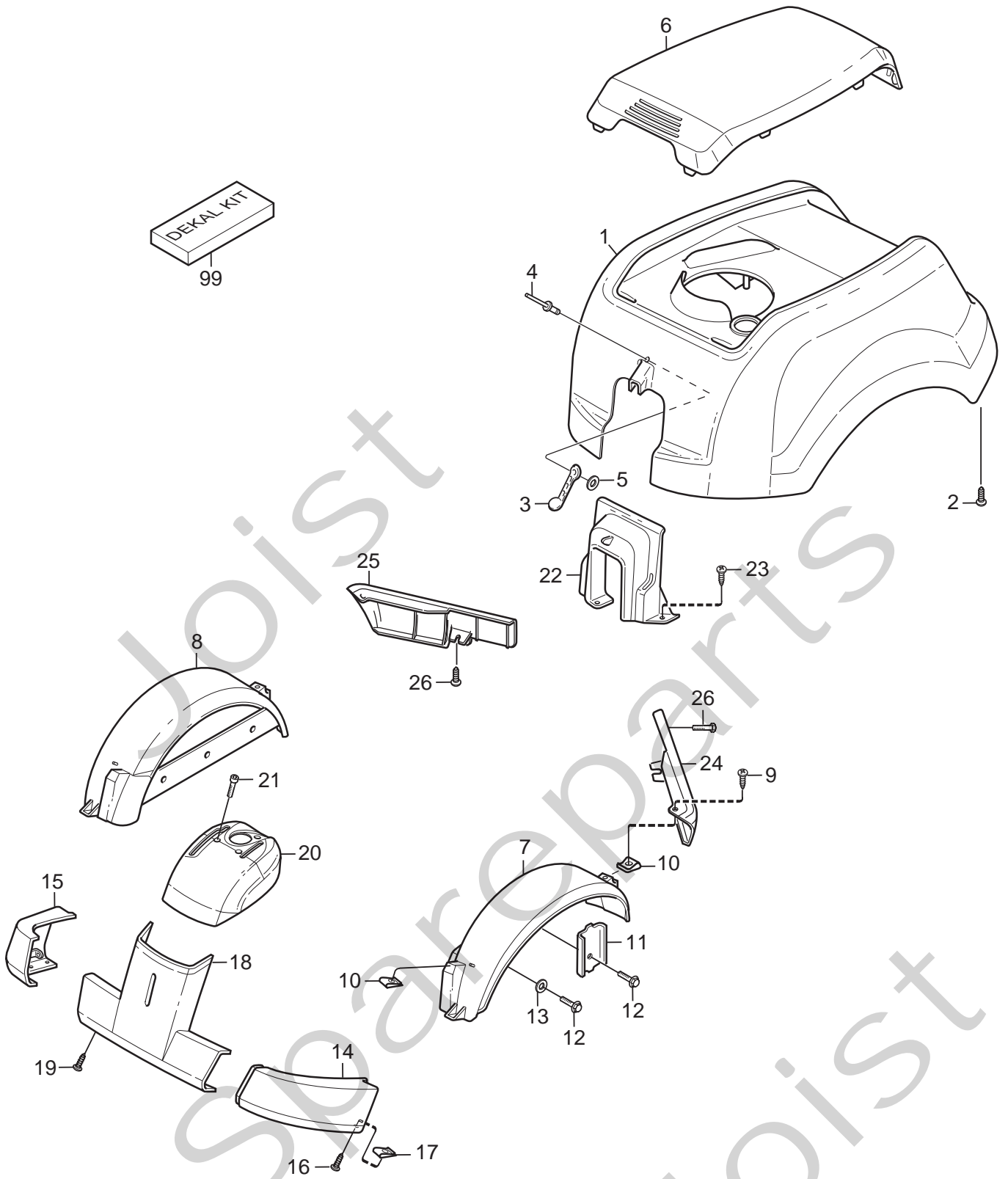
---



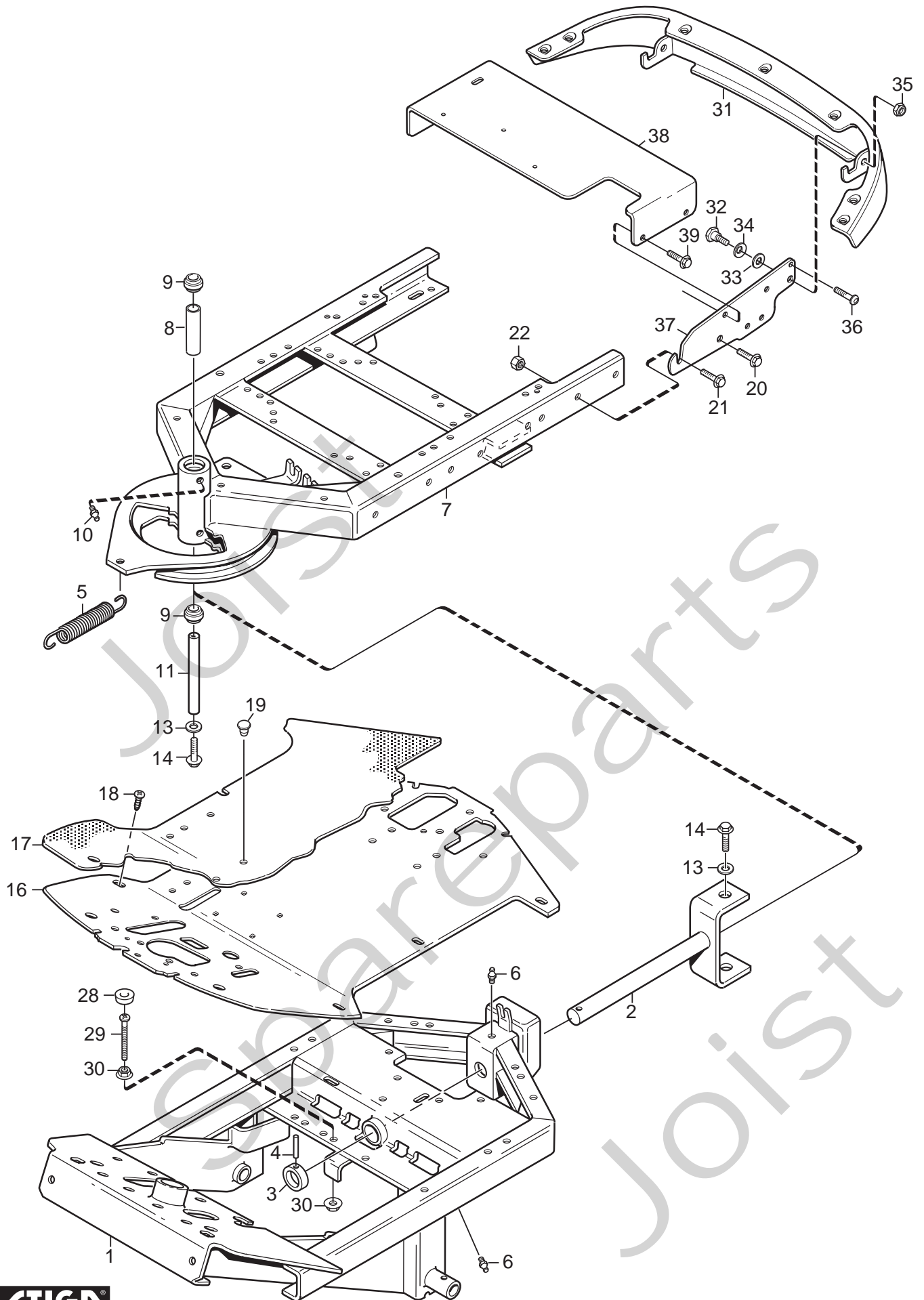
Joist  
Spareparts  
Joist



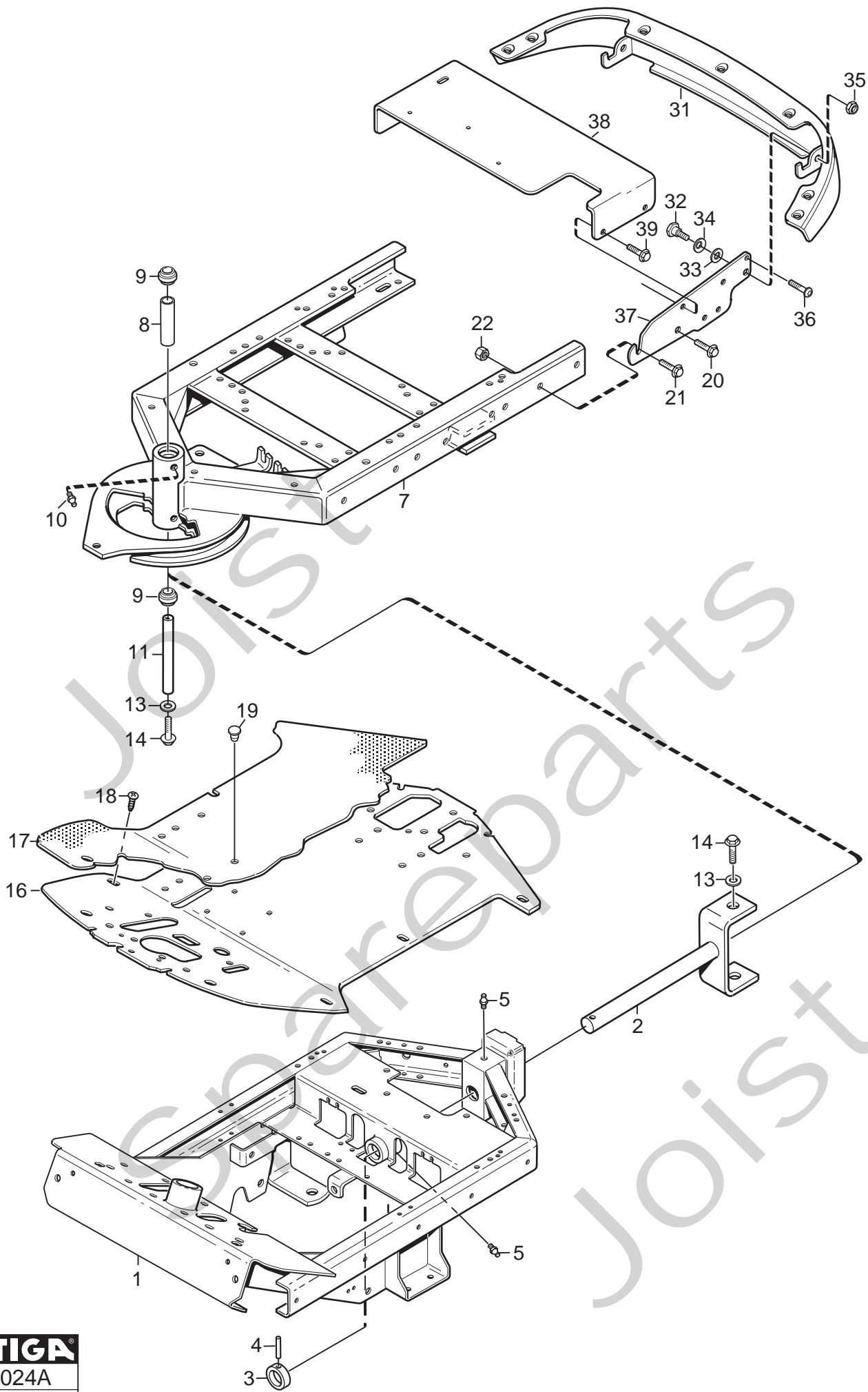
Utgåva Issue		Bildnr Picture No		PARK COMPACT MONTERINGSDETALJER		PARK COMPACT ASSEMBLY PARTS		Sida Page	
2007- 11		1638C						2	
Pos. Fig.	Antal/Quantity			Art nr Part No	Benämning	Description	Sats Kit	Anmärkning Notes	
	6101	6102 6103	6104						
2	1	1	1	1134-6113-01	Batteriskruvar .....	Battery screws .....			
4	1	1	1	9595-0262-00	Spännstift .....	Locating pin .....			
5A	1	1	1	9699-0103-02	Shims .....	Flat washer .....		0.5 mm	
5B	1	1	1	9699-0114-02	Shims .....	Flat washer .....		1.0 mm	
6	2	2	2	1134-4185-01	Ansatsbricka .....	Flange washer .....			
7	2	2	2	9959-0820-16	Skruv .....	Screw .....			
8	2	2	2	1134-4481-01	Vingmutter .....	Wing nut .....			
9	4	4	4	9699-0056-02	Planbricka .....	Flat washer .....			
10	2	2	2	1134-4734-01	Tändningsnyckel .....	Ignition key .....			
12	2	2	2	9997-0820-16	Skruv .....	Screw .....			
13	1	1	1	1134-5512-01	Dragplåt .....	Towing plate .....			
14	2	2	2	9959-0820-16	Skruv .....	Screw .....			
15	2	2	2	9739-0831-22	Mutter .....	Nut .....			
18	2	2	2	9898-1035-16	Skruv .....	Screw .....			
19	2	2	2	9739-1031-22	Mutter .....	Nut .....			
X	31	1	1	8211-0001-70	Bruksanvisning .....	Owner's manual .....			
X	31	1	1	8211-0002-70	Bruksanvisning .....	Owner's manual .....			
X	31	1	1	8211-0601-70	Monteringsanvisning .....	Assy instruction .....			
X	31	1	1	8211-0701-70	Säkerhetsföreskrifter .....	Safety regulations .....			
X	31	1	1	8211-0901-70	Servicebok .....	Service book .....			
X	31	1	1	8211-0950-70	Garantikort .....	Warranty card .....			



Utgåva Issue		Bildnr Picture No		PARK COMPACT KAROSS		PARK COMPACT BODY WORK		Sida Page	
2007- 11		1658A						4	
Pos. Fig.	Antal/Quantity			Art nr Part No	Benämning	Description	Sats Kit	Anmärkning Notes	
	6101	6102 6103	6104						
1	1	1	1	1134-5263-02	Motorhuv- gul .....	Engine hood- yellow .....		Sats 3 st/kit of 3	
2	7	7	7	9838-9530-12	Skruv .....	Screw .....			
3	1	1	1	1134-9028-01	Gummistropp- sats .....	Rubber strap kit .....			
4	1	1	1	9632-0516-00	Popnit .....	Pop rivet .....			
5	1	1	1	9699-0120-02	Bricka .....	Washer .....			
6	1	1	1	1134-5264-01	Motorlucka- grå .....	Engine cover- grey .....			
7	1	1	1	1134-5308-01	Stänkskärm vä- grå .....	Mud guard LH- grey .....			
8	1	1	1	1134-5308-02	Stänkskärm hö- grå .....	Mud guard RH- grey .....			
9	4	4	4	9893-0616-16	Skruv .....	Screw .....			
10	4	4	4	1134-4176-01	Clips .....	Clips .....			
11	2	2	2	1134-0225-00	Stödplåt .....	Support plate .....			
12	6	6	6	9945-0816-16	Skruv .....	Screw .....			
13	4	4	4	9699-0056-02	Planbricka .....	Flat washer .....			
14	1	1	1	1134-5306-01	Stötfångare, front- vä .....	Bumper, front- LH .....			
15	1	1	1	1134-5306-02	Stötfångare, front- hö .....	Bumper, front- RH .....			
16	4	4	4	9893-0616-16	Skruv .....	Screw .....			
17	2	2	2	1134-4176-01	Clips .....	Clips .....			
18	1	1	1	1134-5305-01	Front- nedre .....	Front plate- lower .....			
19	2	2	2	9893-0616-16	Skruv .....	Screw .....			
20	1			1134-5320-01	Front- övre .....	Front- upper .....			
20		1	1	1134-5320-02	Front- övre .....	Front- upper .....			
21	2	2	2	9946-0525-16	Skruv .....	Screw .....			
22	1	1	1	1134-6241-01	Huvstöd .....	Hood support .....			
23	3	3	3	9893-0616-16	Skruv .....	Screw .....			
24	1	1	1	1134-3970-05	Kantlist- vä, grå .....	Moulding- LH, grey .....			
25	1	1	1	1134-3970-02	Kantlist- hö, grå .....	Moulding- RH, grey .....			
26	2	2	2	9893-0616-16	Skruv .....	Screw .....			
99	1			1134-6440-01	Dekalsats .....	Label kit .....			
X		1		1134-6440-02	Dekalsats .....	Label kit .....			
X			1	1134-6440-03	Dekalsats .....	Label kit .....			
X									

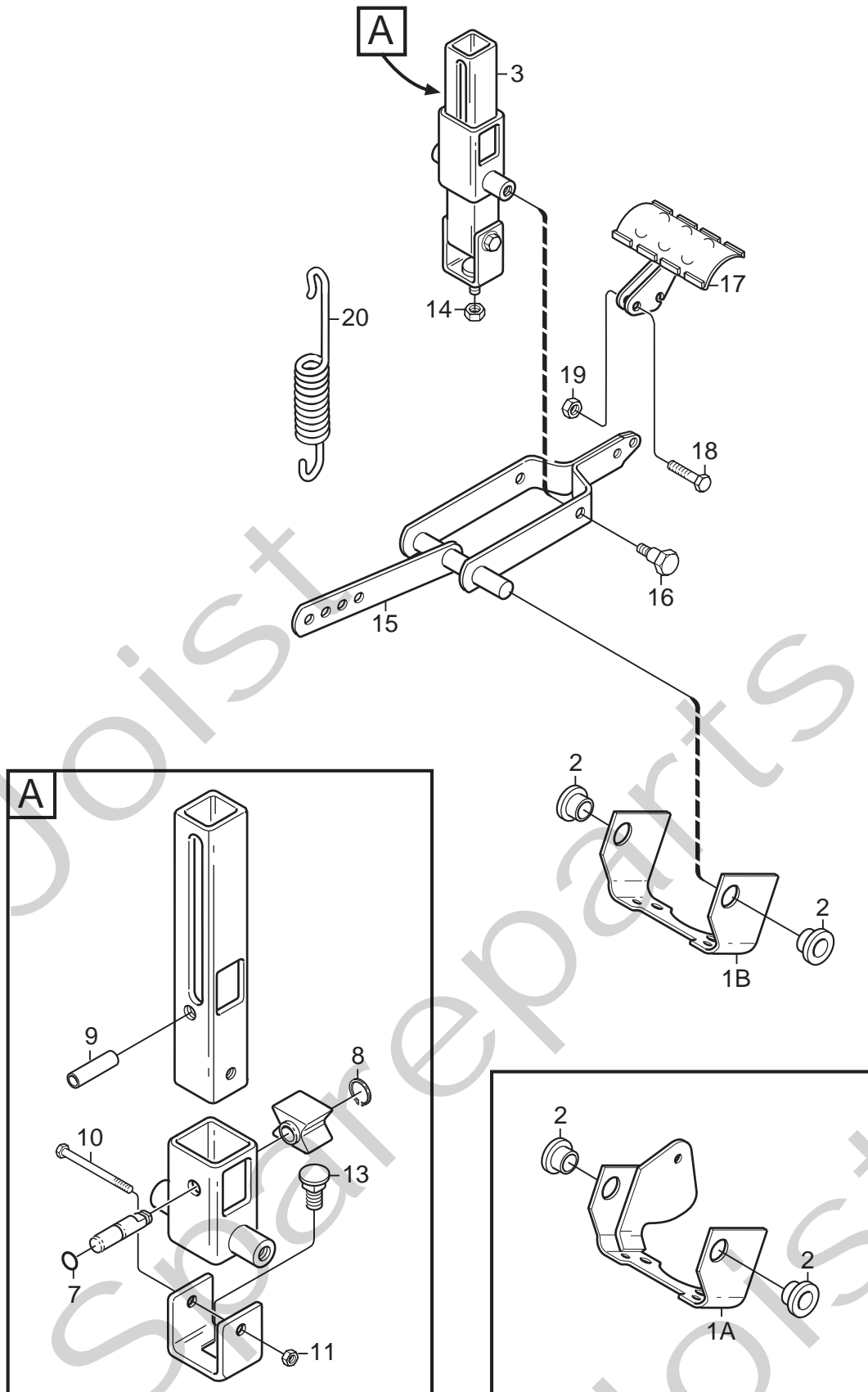


Utgåva Issue		Bildnr Picture No		PARK COMPACT 2WD RAM		PARK COMPACT 2WD FRAME		Sida Page	
2007- 11		1669C						6	
Pos. Fig.	Antal/Quantity			Art nr Part No	Benämning	Description	Sats Kit	Anmärkning Notes	
	6101	6102 6103							
X	1	1	1	1134-5315-03	Ram- främre .....	Frame- front .....			
	2	1	1	1134-3963-02	• Midjegaffel .....	• Clevis .....			
	3	1	1	1134-0031-00	• Ledaxelstopp .....	• Pivot shaft stop .....			
	4	1	1	9595-0262-00	• Spännstift .....	• Locating pin .....			
	5	1	1	1134-2171-01	Fjäder.....	Spring .....			
	6	2	2	9501-0500-00	Smörjnippel.....	Grease joint.....			
	7	1	1	1134-6081-01	Ram- bakre .....	Frame- rear.....			
	8	1	1	1134-5705-01	• Distans .....	• Spacer.....			
	9	2	2	9547-0001-00	• Ledlager.....	• Bearing.....			
	10	2	2	9501-0500-00	• Smörjnippel.....	• Grease joint.....			
	11	1	1	1134-5988-01	Centrumaxel .....	Centre shaft.....			
	13	2	2	9699-0035-02	Planbricka.....	Flat washer.....			
	14	2	2	9959-1025-16	Skruv.....	Screw.....			
	16	1	1	1134-5294-01	Durk.....	Floor plate .....			
	17	1		1134-5513-01	Durkmatta.....	Floor mat.....			
X	17		1	1134-6372-03	Durkmatta.....	Floor mat.....			
X	18	2	2	9893-0616-16	Skruv.....	Screw.....			
X	19		2	9403-0048-70	Täckpropp .....	Plug .....			
	20	2	2	9945-0816-16	Skruv.....	Screw.....			
	21	2	2	9959-0820-16	Skruv.....	Screw.....			
	22	2	2	9739-0831-22	Mutter.....	Nut.....			
	28	1	1	1134-4975-01	Gummibuffert.....	Rubber block.....			
	29	1	1	9950-0570-12	Skruv.....	Screw.....			
	30	2	2	9739-0531-22	Mutter.....	Nut.....			
X	31	1	1	1134-5337-02	Stötfångare- bak, grå .....	Bumper- rear, grey .....			
	32	2	2	1134-0240-00	Ansatsskruv.....	Shoulder screw .....			
	33	2	2	1134-4242-01	Distansbricka.....	Spacer washer .....			
	34	2	2	9665-0002-00	Brickfjäder .....	Bowed washer.....			
	35	2	2	9747-0831-02	Mutter.....	Lock nut.....			
	36	2	2	9943-0516-16	Skruv.....	Screw.....			
	37	2	2	1134-5345-01	Stag .....	Attachment.....			
	38	1	1	1134-5344-01	Batterihylla.....	Battery shelf.....			
	39	4	4	9945-0816-16	Skruv.....	Screw.....			

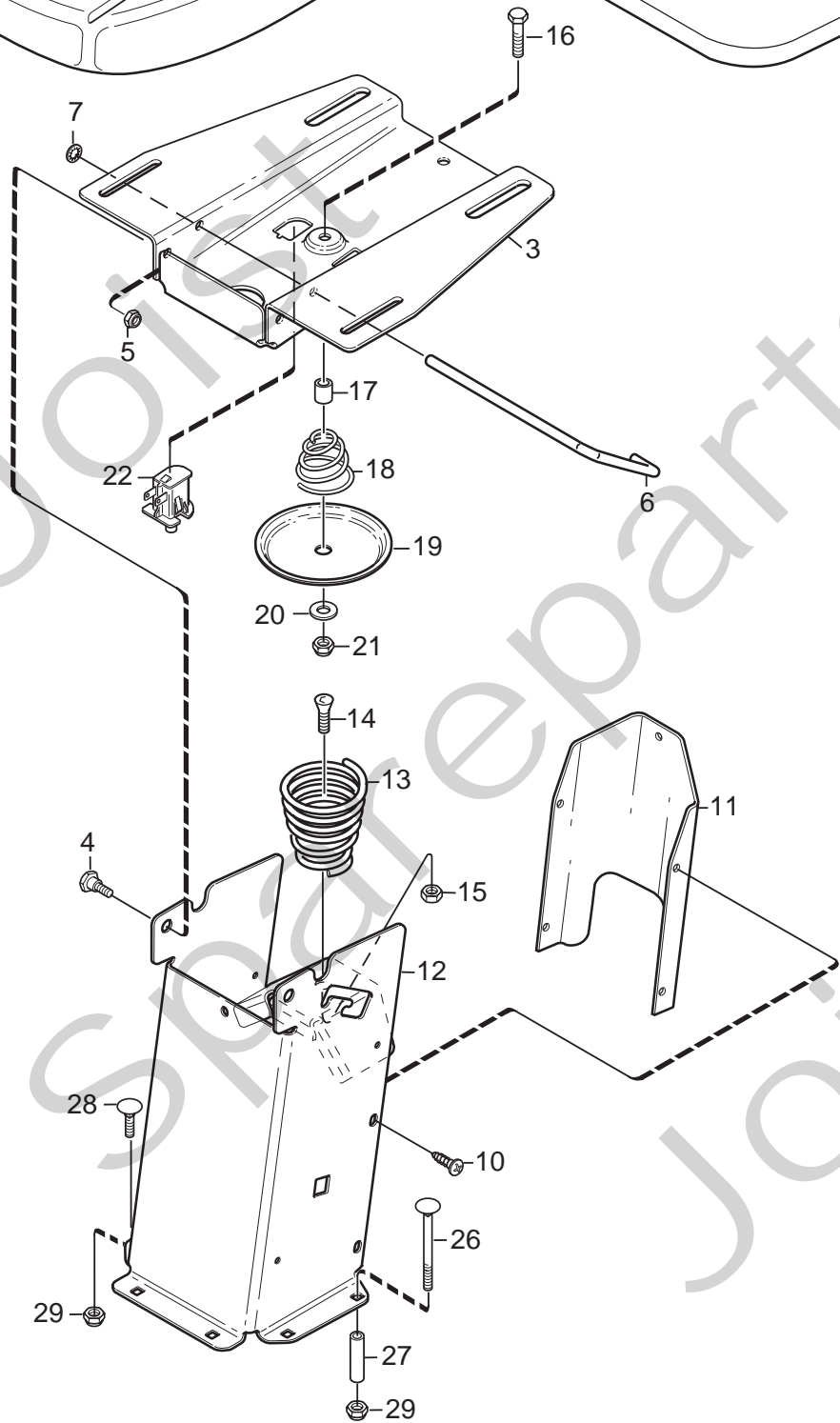
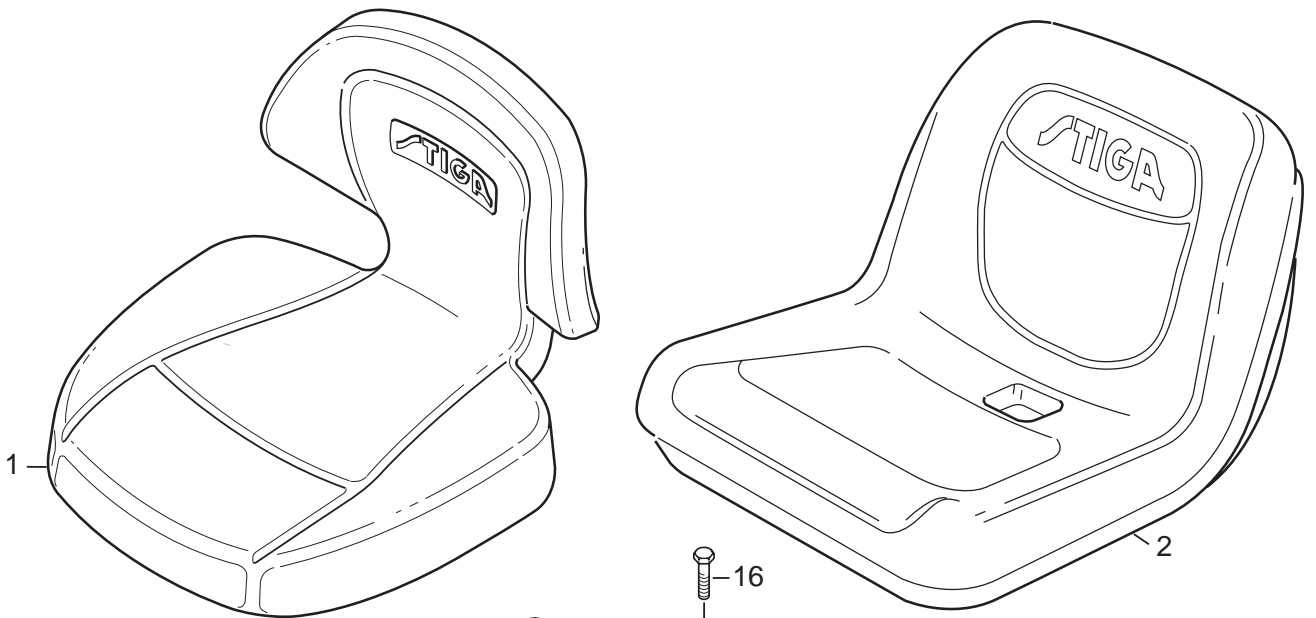




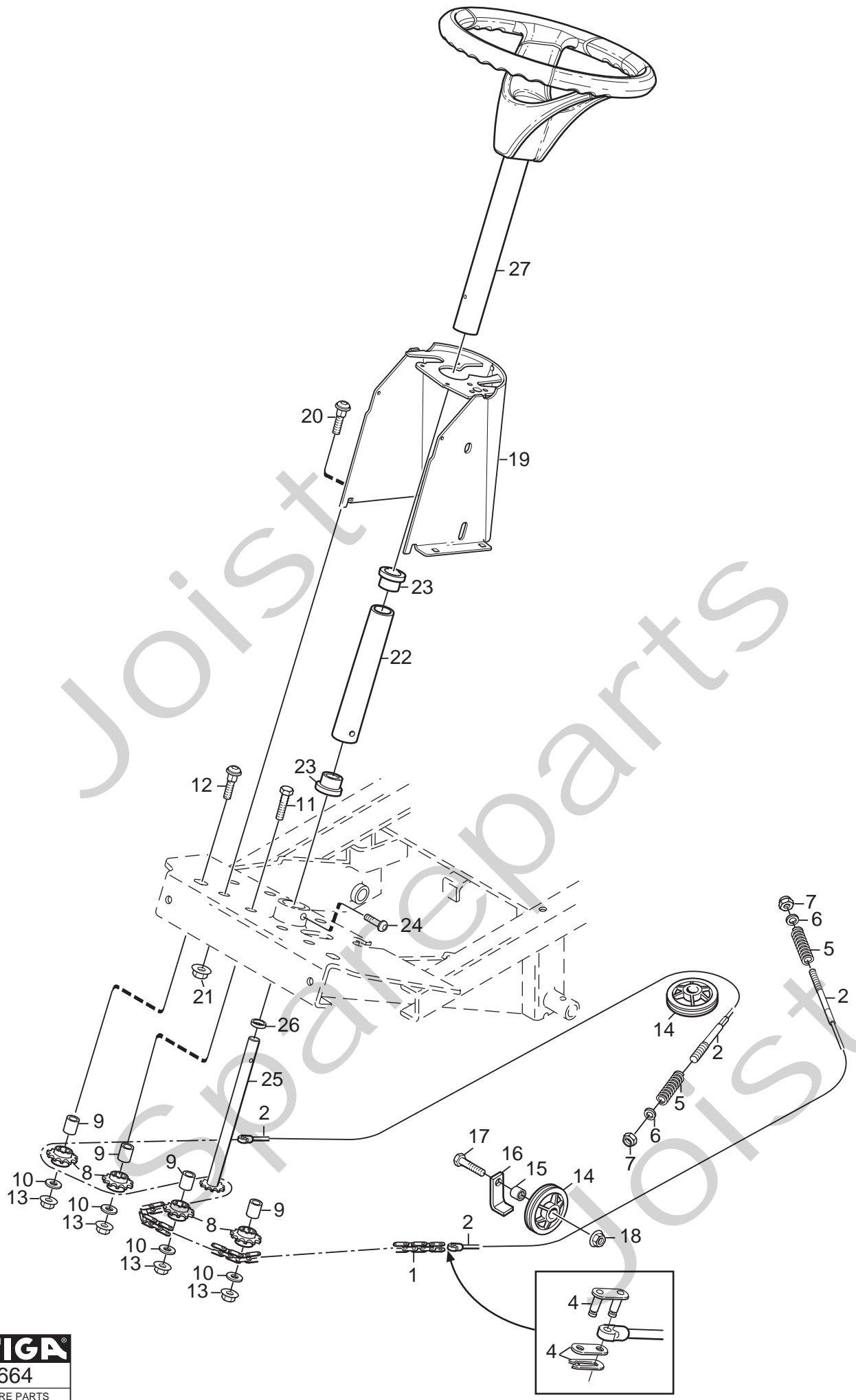
Utgåva Issue		Bildnr Picture No		PARK COMPACT 4WD RAM		PARK COMPACT 4WD FRAME		Sida Page	
2007- 11		2024A						8	
Pos. Fig.	Antal/Quantity				Art nr Part No	Benämning	Description	Sats Kit	Anmärkning Notes
	6104								
X	1	1			1134-5656-02	Ram- främre .....	Frame- front .....		
	2	1			1134-3963-02	• Midjegaffel .....	• Clevis .....		
	3	1			1134-0031-00	• Ledaxelstopp .....	• Pivot shaft stop .....		
	4	1			9595-0262-00	• Spännstift .....	• Locating pin .....		
	5	2			9501-0500-00	• Smörjnippel .....	• Grease joint .....		
	7	1			1134-6081-01	Ram- bakre .....	Frame- rear .....		
	8	1			1134-5705-01	• Distans .....	• Spacer .....		
	9	2			9547-0001-00	• Ledlager .....	• Bearing .....		
	10	2			9501-0500-00	• Smörjnippel .....	• Grease joint .....		
	11	1			1134-5988-01	Centrumaxel .....	Centre shaft .....		
	13	2			9699-0035-02	Planbricka .....	Flat washer .....		
	14	2			9959-1025-16	Skruv .....	Screw .....		
	16	1			1134-5294-01	Durk .....	Floor plate .....		
X	17	1			1134-6372-03	Durkmatta .....	Floor mat .....		
	18	2			9893-0616-16	Skruv .....	Screw .....		
X	19	2			9403-0048-70	Täckpropp .....	Plug .....		
	20	2			9945-0816-16	Skruv .....	Screw .....		
	21	2			9959-0820-16	Skruv .....	Screw .....		
	22	2			9739-0831-22	Mutter .....	Nut .....		
X	31	1			1134-5337-02	Stötfångare- bak, grå .....	Bumper- rear, grey .....		
	32	2			1134-0240-00	Ansattsskruv .....	Shoulder screw .....		
	33	2			1134-4242-01	Distansbricka .....	Spacer washer .....		
	34	2			9665-0002-00	Brickfjäder .....	Bowed washer .....		
	35	2			9747-0831-02	Mutter .....	Lock nut .....		
	36	2			9943-0516-16	Skruv .....	Screw .....		
	37	2			1134-5345-01	Stag .....	Attachment .....		
	38	1			1134-5344-01	Batterihylla .....	Battery shelf .....		
	39	4			9945-0816-16	Skruv .....	Screw .....		



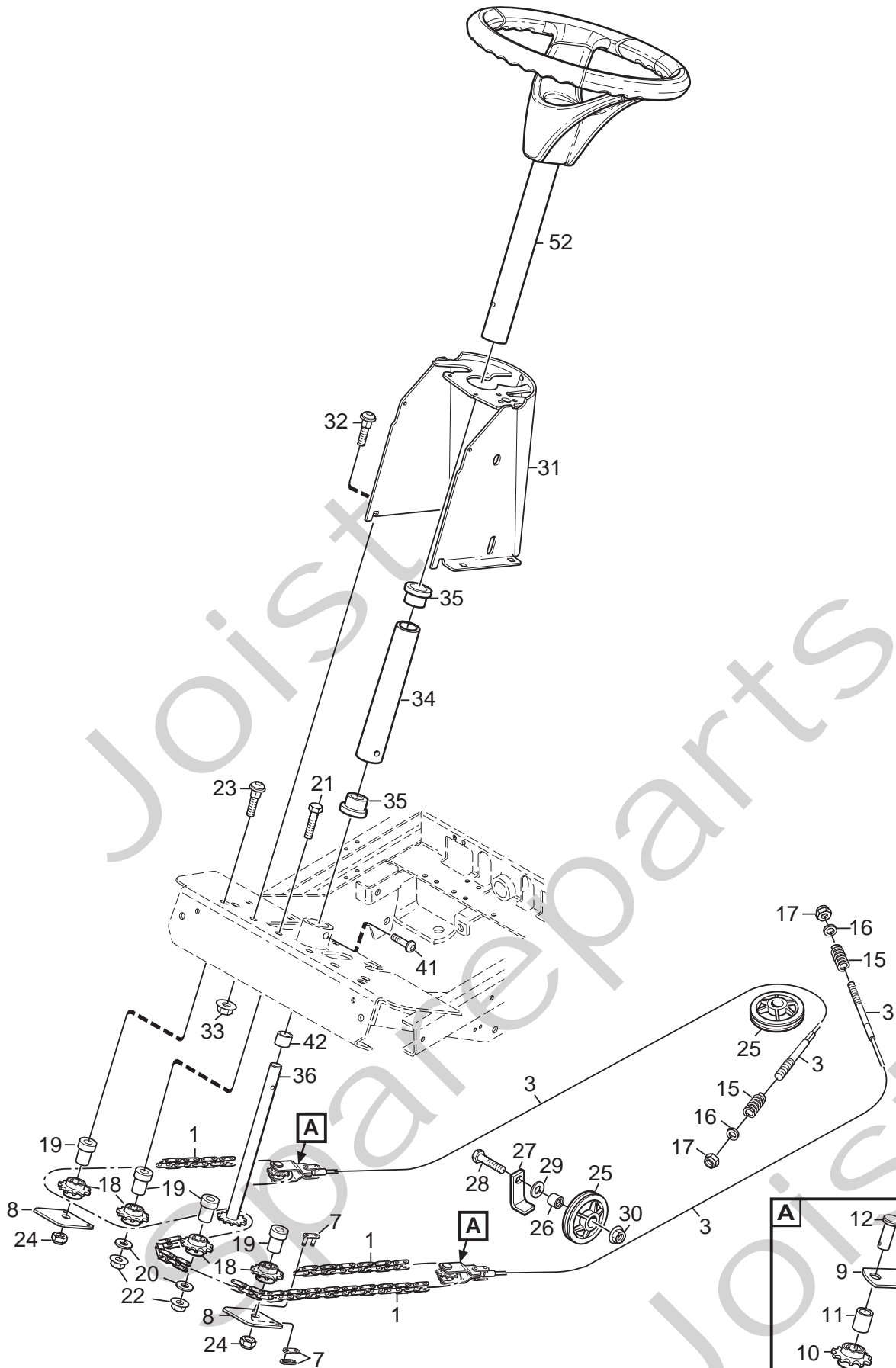
Utgåva Issue		Bildnr Picture No		PARK COMPACT PEDALLYFT		PARK COMPACT PEDAL LIFT		Sida Page	
2007- 11		1656A						10	
Pos. Fig.	Antal/Quantity			Art nr Part No	Benämning	Description	Sats Kit	Anmärkning Notes	
	6101	6102 6103 6104							
1A	1			1134-5462-01	Fäste .....	Bracket .....			
1B		1		1134-4117-01	Fäste .....	Bracket .....			
2	2	2		1134-2684-01	Lager .....	Bearing .....			
3	1	1		1134-4945-01	Lyftspärr kpl .....	Lift catch assy .....			
7	1	1		9404-0027-01	• O-ring .....	• O-ring .....			
8	1	1		9650-0039-04	• Seegersäkring .....	• Lock ring .....			
9	1	1		9595-0276-01	• Spännstift .....	• Locating pin .....			
10	1	1		9997-0640-12	• Skruv .....	• Screw .....			
11	1	1		9747-0631-02	• Låsmutter .....	• Lock nut .....			
13	1	1		9897-0820-16	• Skruv .....	• Screw .....			
14	1	1		9747-0831-02	Mutter .....	Lock nut .....			
15	1	1		1134-4860-01	Lyftgaffel .....	Lift fork .....			
16	2	2		1134-0240-00	Ansattsskruv .....	Shoulder screw .....			
17	1	1		1134-4938-01	Lyftpedal .....	Lift pedal .....			
18	2	2		9997-0625-16	Skruv .....	Screw .....			
19	2	2		9739-0631-22	Mutter .....	Nut .....			
20	1	1		4231-0013-00	Fjäder .....	Spring .....			



Utgåva Issue		Bildnr Picture No		PARK COMPACT SITS		PARK COMPACT SEAT		Sida Page	
2007- 11		1657A						12	
Pos. Fig.	Antal/Quantity				Art nr Part No	Benämning	Description	Sats Kit	Anmärkning Notes
	6101 6102	6103 6104							
X 1	1				1134-5506-01	Sits .....	Seat .....		
2		1			1134-6444-01	Sits .....	Seat .....		
3	1	1			1134-5301-01	Sitsplatta .....	Seat plate .....		
4	2	2			1134-0240-00	Ansattsskruv .....	Shoulder screw .....		
5	2	2			9747-0831-02	Mutter .....	Lock nut .....		
6	1	1			1134-5454-01	Spärr .....	Catch .....		
7	1	1			9675-0012-02	Starlock .....	Locking washer .....		
10	4	4			9893-0616-16	Skruv .....	Screw .....		
11	1	1			1134-5300-01	Bakstycke .....	Rear plate .....		
12	1	1			1134-5296-04	Sitskonsol- gul .....	Seat bracket- yellow .....		
13	1	1			1134-4256-01	Sitsfjäder .....	Seat spring .....		
14	1	1			9924-1235-19	Skruv .....	Screw .....		
15	1	1			9747-1231-02	Låsmutter .....	Lock nut .....		
16	1	1			9997-0840-16	Skruv .....	Screw .....		
17	1	1			1134-1565-06	Distans .....	Spacer .....		
18	1	1			1134-5302-01	Fjäder .....	Spring .....		
19	1	1			1134-5299-01	Tryckplatta .....	Push plate .....		
20	1	1			9699-0090-02	Planbricka .....	Flat washer .....		
21	1	1			9747-0831-02	Mutter .....	Lock nut .....		
22	1	1			1134-3156-02	Brytare (grå) .....	Switch (grey) .....		
26	2	2			9897-0880-12	Skruv .....	Screw .....		L = 80 mm
27	2	2			1134-1565-08	Distans .....	Spacer .....		
28	4	4			9897-0820-16	Skruv .....	Screw .....		L = 20 mm
29	6	6			9747-0831-02	Mutter .....	Lock nut .....		

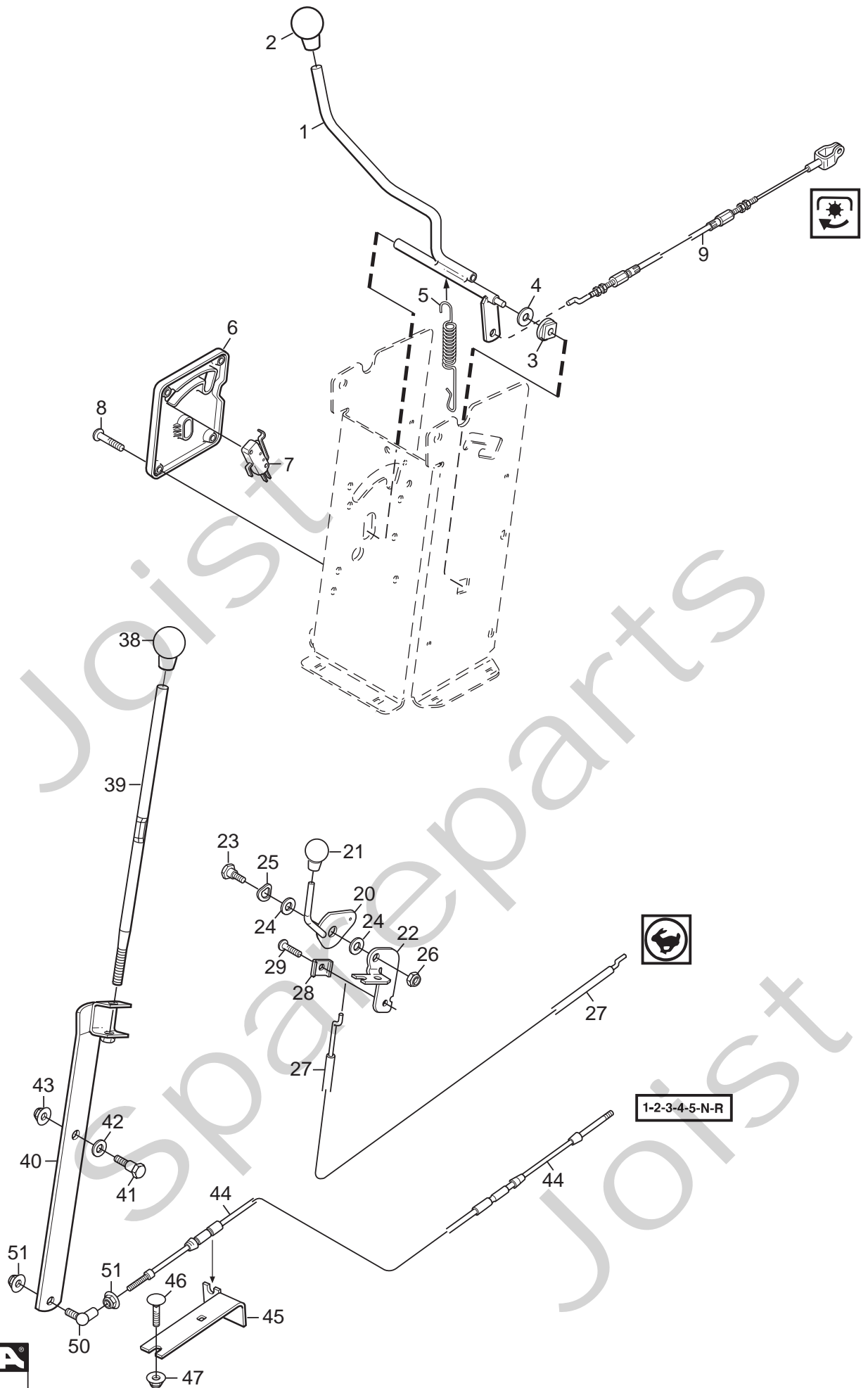




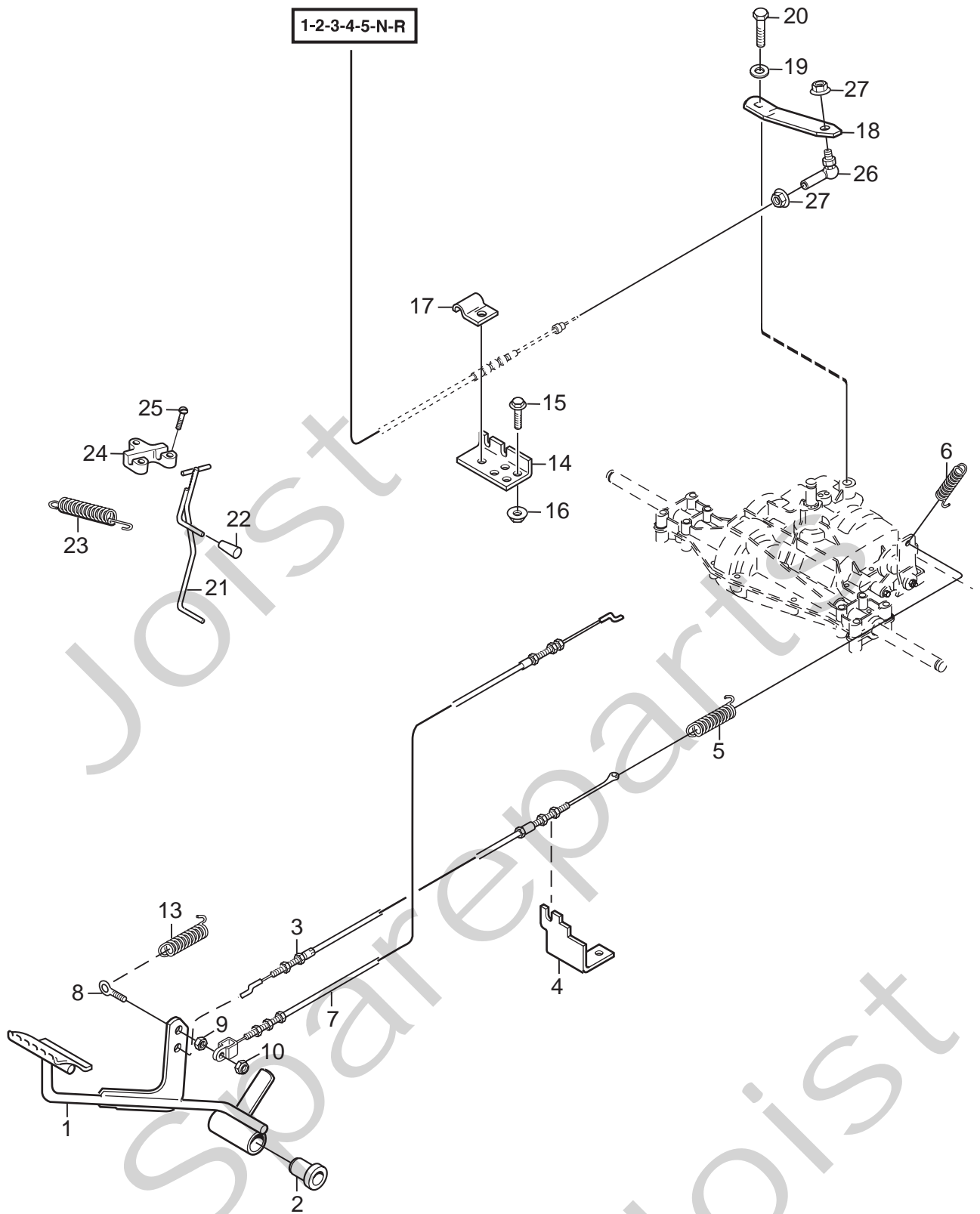




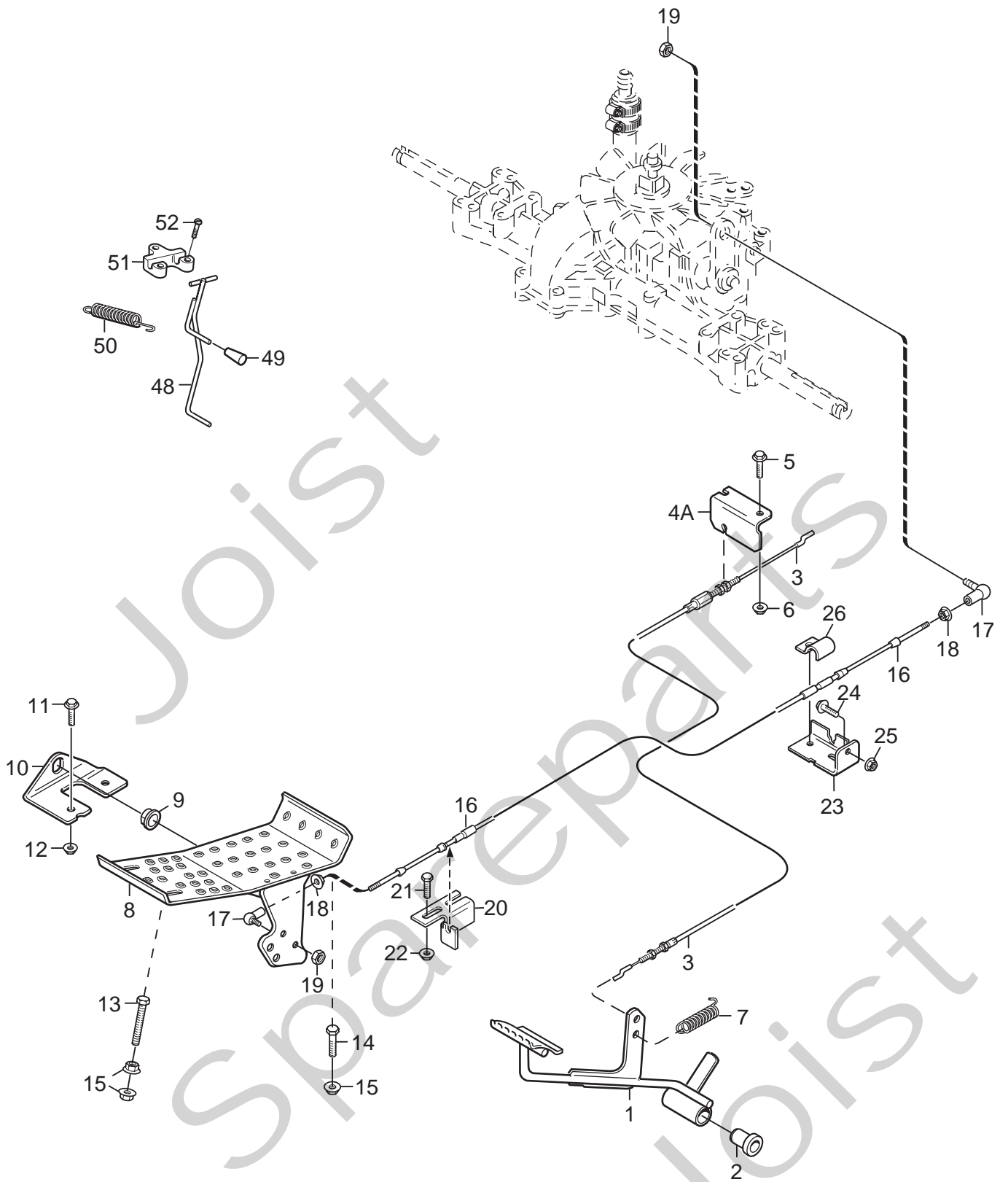
Utgåva Issue		Bildnr Picture No		PARK COMPACT 4WD STYRNING		PARK COMPACT 4WD STEERING		Sida Page	
2007- 11		2025						16	
Pos. Fig.	Antal/Quantity				Art nr Part No	Benämning	Description	Sats Kit	Anmärkning Notes
	6104								
X	1	1			1134-6374-10	Kedja .....	Chain.....		129 länk Sats vä+hö/kit L+R
	3	1			1134-9099-01	Styrwire kpl (vä+hö) .....	Steering cable assy .....		
X	7	4			1134-2824-02	Kedjelås .....	Chain lock .....		
	8	2			1134-5652-01	Fäste .....	Attachment.....		
	9	4			1134-5651-01	Bygel .....	Bracket.....		
	10	2			1134-2816-01	Kedjehjul.....	Sprocket.....		
	11	2			1134-0041-02	Linhjulshylsa .....	Idler wheel bush.....		
	12	2			1134-4817-01	Kolvstängssprint.....	Pin .....		
	13	2			9699-0035-02	Planbricka.....	Flat washer.....		
	14	2			9599-0054-02	Saxpinne.....	Cotter pin .....		
	15	2			1134-3817-01	Tryckfjäder.....	Compression spring.....		
	16	2			9699-0090-02	Planbricka.....	Flat washer.....		
	17	2			9747-0831-02	Mutter.....	Lock nut .....		
	18	4			1134-2816-01	Kedjehjul.....	Sprocket.....		
	19	4			1134-5653-01	Distans .....	Spacer.....		
	20	2			9699-0035-02	Planbricka.....	Flat washer.....		
	21	2			9997-1060-12	Skruv .....	Screw.....		
	22	2			9739-1031-22	Mutter.....	Nut .....		
	23	2			9897-1060-12	Skruv .....	Screw.....		
X	24	2			9731-1031-22	Mutter.....	Nut .....		Sats 2 st/kit of 2
	25	2			1134-9025-01	Linhjul- sats .....	Steering pulley- kit .....		
	26	2			1134-0041-01	Linhjulshylsa .....	Bushing.....		
	27	2			1134-3022-01	Linhållare .....	Cable holder .....		
	28	2			9997-1040-16	Skruv .....	Screw.....		
	29	2			9699-0035-02	Planbricka.....	Flat washer.....		
	30	2			9739-1031-22	Mutter.....	Nut .....		
	31	1			1134-5349-01	Styrkonsol- gul .....	Steering console- yel.....		
	32	4			9897-0820-16	Skruv .....	Screw.....		
	33	4			9739-0831-22	Mutter.....	Nut .....		
	34	1			1134-1305-05	Rattör- nedre .....	Steering column- lower .....		
	35	2			1134-1901-01	Lager .....	Bearing.....		
	36	1			1134-2821-05	Rattstång .....	Steering rod .....		
	41	2			9893-0616-16	Skruv .....	Screw.....		
	42	1			1134-2837-03	Distans .....	Spacer.....		
	52	1			1134-5496-01	Ratt.....	Steering wheel .....		



Utgåva Issue		Bildnr Picture No		PARK COMPACT HANDREGLAGE		PARK COMPACT HAND CONTROLS		Sida Page	
2007- 11		1670A						18	
Pos. Fig.	Antal/Quantity			Art nr Part No	Benämning	Description	Sats Kit	Anmärkning Notes	
	6101	6102 6103 6104							
X 1	1	1		1134-6301-01	Aggregatsspak.....	Engagement lever .....			
2	1	1		1134-2551-01	Reglageknopp.....	Knob .....			
3	1	1		1134-3790-02	Lager .....	Bearing.....			
4	1	1		9699-0090-02	Planbricka.....	Flat washer.....			
5	1	1		4231-0013-00	Fjäder.....	Spring .....			
6	1	1		1134-5368-01	Panel .....	Dashboard .....			
7	1	1		9400-0312-01	Mikrobrytare.....	Micro switch .....			
8	4	4		9946-0525-16	Skruv .....	Screw .....			
9	1	1		1134-3573-05	Reglagewire.....	Control cable.....			
20	1	1		1134-5465-01	Gasreglage.....	Throttle lever.....			
21	1	1		1134-4078-01	Knopp.....	Knob .....			
22	1	1		1134-5464-01	Fäste.....	Bracket.....			
23	1	1		1134-0240-00	Ansatsskruv.....	Shoulder screw.....			
24	2	2		1134-4242-01	Distansbricka.....	Spacer washer .....			
25	1	1		9694-0001-00	Fjäderbricka .....	Washer.....			
26	1	1		9747-0831-02	Mutter.....	Lock nut.....			
X 27	1	1		1134-4197-03	Gaswire .....	Throttle cable .....			
28	1	1		9500-9991-00	Wireklämma .....	Cable clamp .....			
29	1	1		9943-0516-16	Skruv.....	Screw .....			
38	1	1		1134-2551-01	Reglageknopp.....	Knob .....			
39	1	1		1134-5482-01	Växelspak .....	Gear shift lever .....			
40	1	1		1134-5459-01	Växelarm .....	Gear shift arm .....			
41	1	1		1134-0240-00	Ansatsskruv.....	Shoulder screw.....			
42	1	1		9696-0013-01	Kupad bricka.....	Bowed washer.....			
43	1	1		9739-0831-22	Mutter.....	Nut .....			
44	1	1		1134-2766-07	Reglagewire.....	Control cable.....			
45	1	1		1134-5518-01	Vinkelarm .....	Angle bracket .....			
46	2	2		9897-0616-16	Vagnsbult .....	Carriage bolt .....			
47	2	2		9739-0631-22	Mutter.....	Nut .....			
50	1	1		9570-0001-00	Vinkellänk .....	Elbow link .....			
51	2	2		9739-0531-22	Mutter.....	Nut .....			



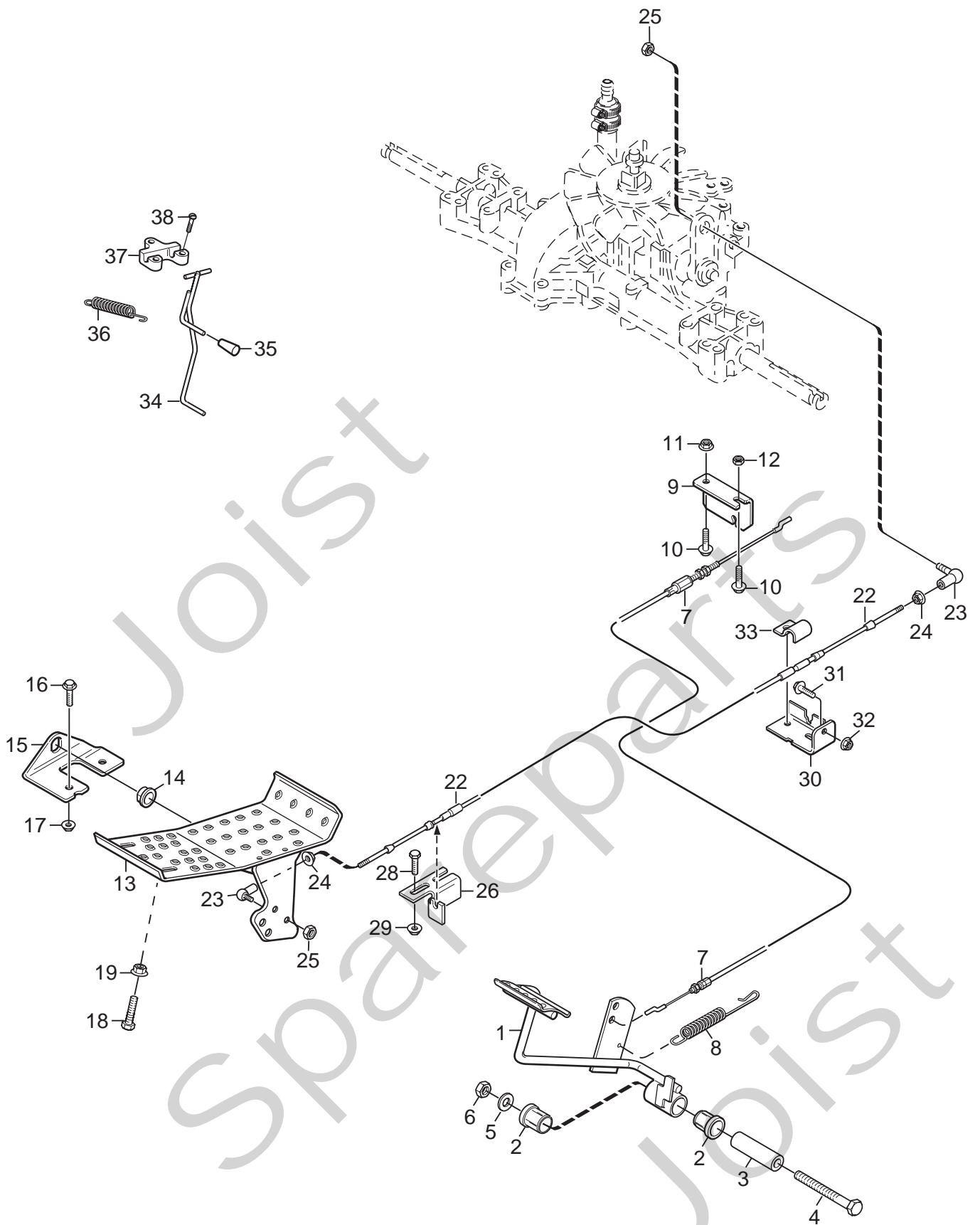
Utgåva Issue		Bildnr Picture No		PARK COMPACT 2WD FOTREGLAGE		PARK COMPACT 2WD FOOT CONTROLS		Sida Page	
2007- 11		1665						20	
Pos. Fig.	Antal/Quantity				Art nr Part No	Benämning	Description	Sats Kit	Anmärkning Notes
	6101								
1	1				1134-4247-01	Broms/kopplingspedal.....	Brake/clutch pedal.....		Sats 4 st/kit of 4
2	1				1134-9024-01	• Lager .....	• Bearing.....		
3	1				1134-3410-02	Bromswire .....	Brake cable .....		
4	1				1134-3403-01	Wirefäste .....	Wire holder .....		
5	1				1134-3280-01	Fjäder.....	Spring .....		
6	1				1134-3974-02	Fjäder.....	Spring .....		
7	1				1134-4058-01	Wire.....	Cable .....		
8	1				1134-2991-01	Skruvögla .....	Eye bolt .....		
9	1				9739-0531-22	Mutter.....	Nut .....		
10	1				9747-0531-02	Mutter.....	Nut .....		
13	1				1134-3974-01	Fjäder.....	Spring .....		
14	1				1134-3400-01	Vinkelarm .....	Angle plate .....		
15	2				9959-0820-16	Skruv.....	Screw .....		
16	2				9739-0831-22	Mutter.....	Nut .....		
17	1				1134-2021-01	Växelwirefäste .....	Clamp.....		
18	1				1134-4048-02	Växelarm .....	Gear shifter arm.....		
19	1				9699-0060-02	Planbricka.....	Flat washer.....		
20	1				9987-5016-16	Skruv.....	Screw .....		
21	1				1134-5353-01	Bromsstång .....	Brake rod .....		
22	1				1134-2786-01	Plastknopp.....	Plastic knob .....		
23	1				1131-1497-01	Fjäder.....	Spring .....		
24	1				1134-4002-01	Fäste.....	Brake rod attachment.....		
25	3				9838-9516-12	Skruv.....	Screw .....		
26	1				9570-0001-00	Vinkellänk .....	Elbow link .....		
27	2				9739-0531-22	Mutter.....	Nut .....		



Utgåva Issue		Bildnr Picture No		PARK COMPACT HST 2WD FOTREGLAGE		PARK COMPACT HST 2WD FOOT CONTROLS		Sida Page	
2007- 11		1666A						22	
Pos. Fig.	Antal/Quantity				Art nr Part No	Benämning	Description	Sats Kit	Anmärkning Notes
	6102 6103								
1	1				1134-4247-01	Broms/kopplingspedal.....	Brake/clutch pedal.....		Sats 4 st/kit of 4
2	1				1134-9024-01	• Lager .....	• Bearing .....		
3	1				1134-3584-03	Broms/kopplingswire.....	Brake/clutch cable .....		
4A	1				1134-3906-01	Wirefäste .....	Cable holder .....		
5	2				9959-0820-16	Skruv .....	Screw .....		
6	2				9739-0831-22	Mutter.....	Nut .....		
7	1				1134-3974-01	Fjäder.....	Spring .....		
8	1				1134-6353-01	Drivpedal .....	Drive pedal .....		
9	2				1134-6313-01	Lager .....	Bearing .....		
10	2				1134-2700-01	Fäste .....	Bracket .....		
11	2				9959-0820-16	Skruv .....	Screw .....		
12	2				9739-0831-22	Mutter.....	Nut .....		
13	1				9997-0870-16	Skruv .....	Screw .....		
14	1				9959-0820-16	Skruv .....	Screw .....		
15	3				9739-0831-22	Mutter.....	Nut .....		
16	1				1134-2766-05	Reglagewire.....	Speed control cable .....		
17	2				9570-0001-00	Vinkellänk .....	Elbow link .....		
18	2				9739-0531-22	Mutter.....	Nut .....		
19	2				9747-0531-02	Mutter.....	Nut .....		
20	1				1134-6317-01	Wirefäste .....	Cable holder .....		
21	2				9959-0620-16	Skruv .....	Screw .....		
22	2				9739-0631-22	Mutter.....	Nut .....		
23	1				1134-3395-01	Fäste .....	Attachment.....		
24	2				9959-0820-16	Skruv .....	Screw .....		
25	2				9739-0831-22	Mutter.....	Nut .....		
26	1				1134-2021-01	Växelwirefäste .....	Clamp.....		
48	1				1134-5353-01	Bromsstång .....	Brake rod .....		
49	1				1134-2786-01	Plastknopp.....	Plastic knob .....		
50	1				1131-1497-01	Fjäder.....	Spring .....		
51	1				1134-4002-01	Fäste .....	Brake rod attachment.....		
52	3				9838-9516-12	Skruv .....	Screw .....		

X  
X

X

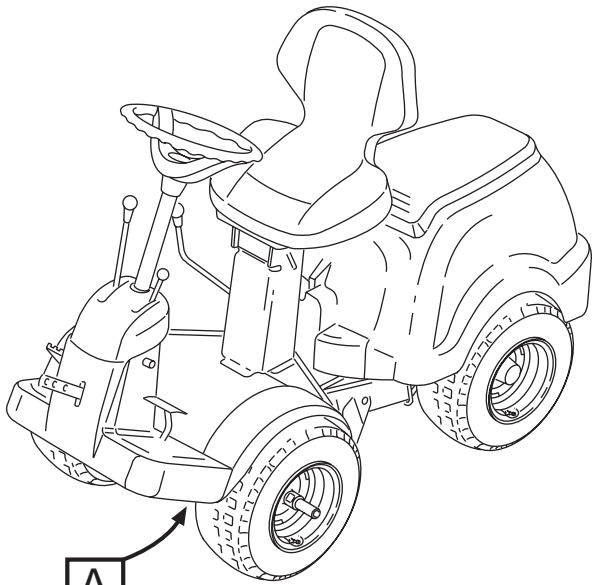




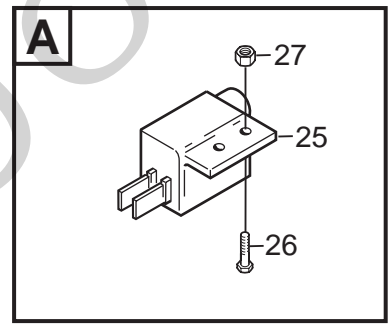
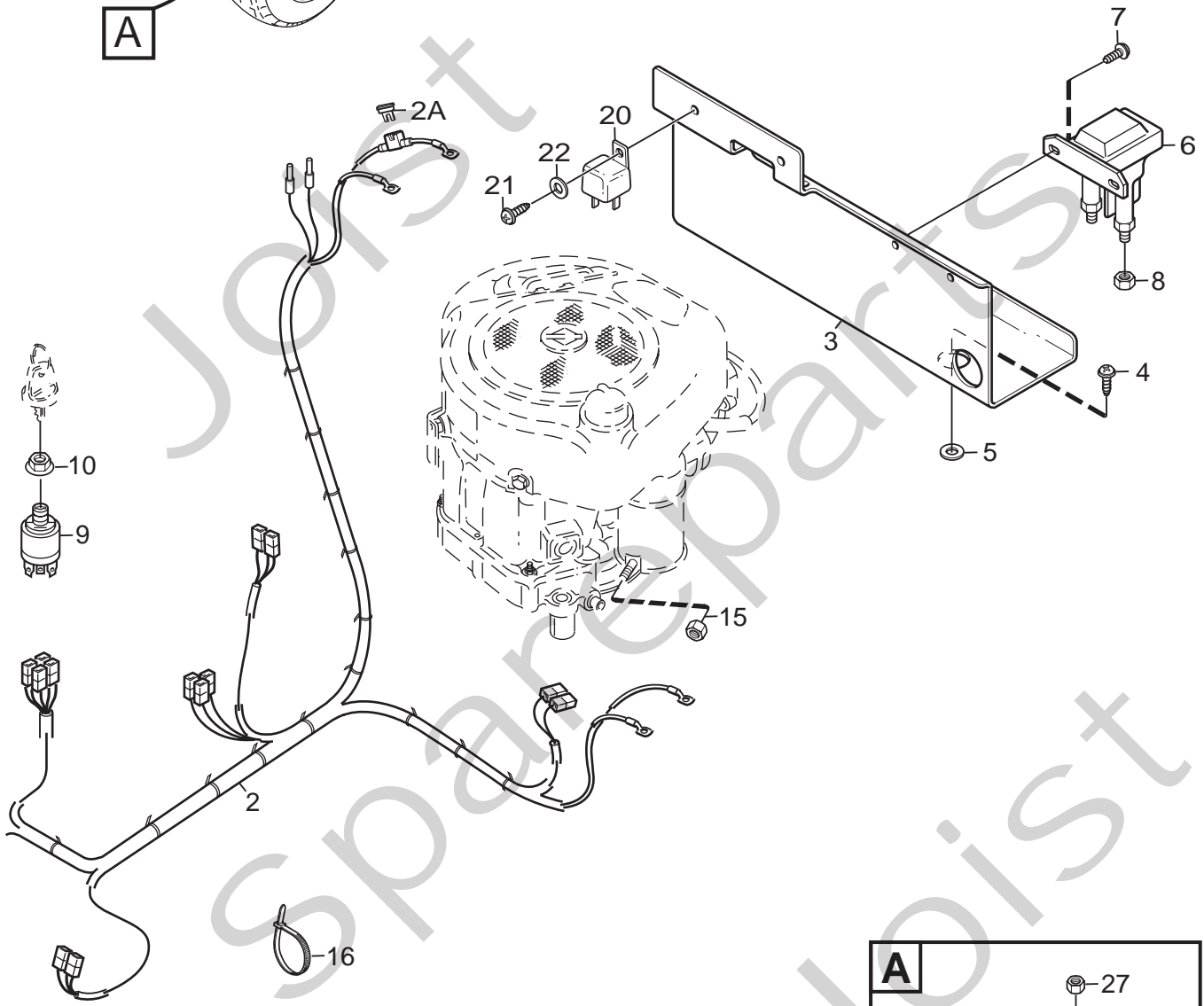
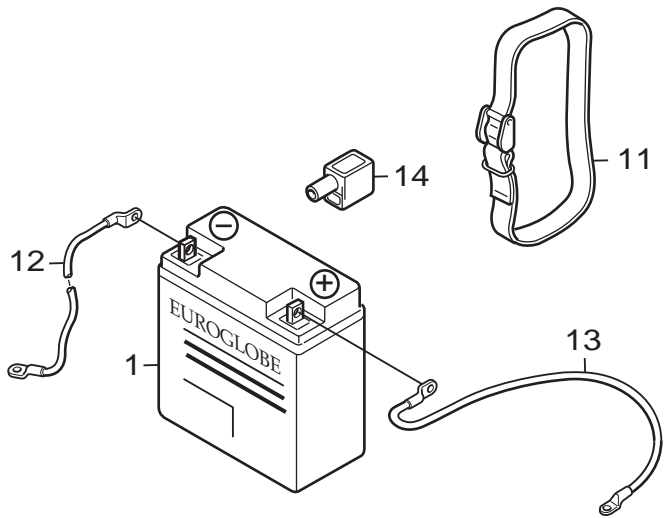
Utgåva Issue		Bildnr Picture No		PARK COMPACT 4WD FOTREGLAGE		PARK COMPACT 4WD FOOT CONTROLS		Sida Page	
2007- 11		2026A						24	
Pos. Fig.	Antal/Quantity				Art nr Part No	Benämning	Description	Sats Kit	Anmärkning Notes
	6104								
1	1				1134-5655-01	Broms/kopplingspedal.....	Brake/clutch pedal.....		Sats 4 st/kit of 4
2	1				1134-9024-01	Lager.....	Bearing.....		
3	1				1134-5677-02	Distans.....	Spacer.....		
4	1				9997-1070-12	Skruv.....	Screw.....		
5	1				9699-0030-02	Planbricka.....	Flat washer.....		
6	1				9739-1031-22	Mutter.....	Nut.....		
7	1				1134-6005-01	Wire.....	Cable.....		
8	1				4231-0013-00	Fjäder.....	Spring.....		
9	1				1134-3906-01	Wirefäste.....	Cable holder.....		
10	2				9959-0820-16	Skruv.....	Screw.....		
11	1				9739-0831-22	Mutter.....	Nut.....		
12	1				9747-0831-02	Mutter.....	Lock nut.....		
13	1				1134-6353-01	Drivpedal.....	Drive pedal.....		
14	2				1134-6313-01	Lager.....	Bearing.....		
15	2				1134-2700-01	Fäste.....	Bracket.....		
16	2				9959-0820-16	Skruv.....	Screw.....		
17	2				9739-0831-22	Mutter.....	Nut.....		
18	1				9997-0835-16	Skruv.....	Screw.....		
19	1				9739-0831-22	Mutter.....	Nut.....		
22	1				1134-2766-05	Reglagewire.....	Speed control cable.....		
23	2				9570-0001-00	Vinkellänk.....	Elbow link.....		
24	2				9739-0531-22	Mutter.....	Nut.....		
25	2				9747-0531-02	Mutter.....	Nut.....		
26	1				1134-6317-01	Wirefäste.....	Cable holder.....		
28	2				9959-0620-16	Skruv.....	Screw.....		
29	2				9739-0631-22	Mutter.....	Nut.....		
30	1				1134-3395-01	Fäste.....	Attachment.....		
31	2				9959-0820-16	Skruv.....	Screw.....		
32	2				9739-0831-22	Mutter.....	Nut.....		
33	1				1134-2021-01	Växelwirefäste.....	Clamp.....		
34	1				1134-5353-01	Bromsstång.....	Brake rod.....		
35	1				1134-2786-01	Plastknopp.....	Plastic knob.....		
36	1				1131-1497-01	Fjäder.....	Spring.....		
37	1				1134-4002-01	Fäste.....	Brake rod attachment.....		
38	3				9838-9516-12	Skruv.....	Screw.....		

X  
X

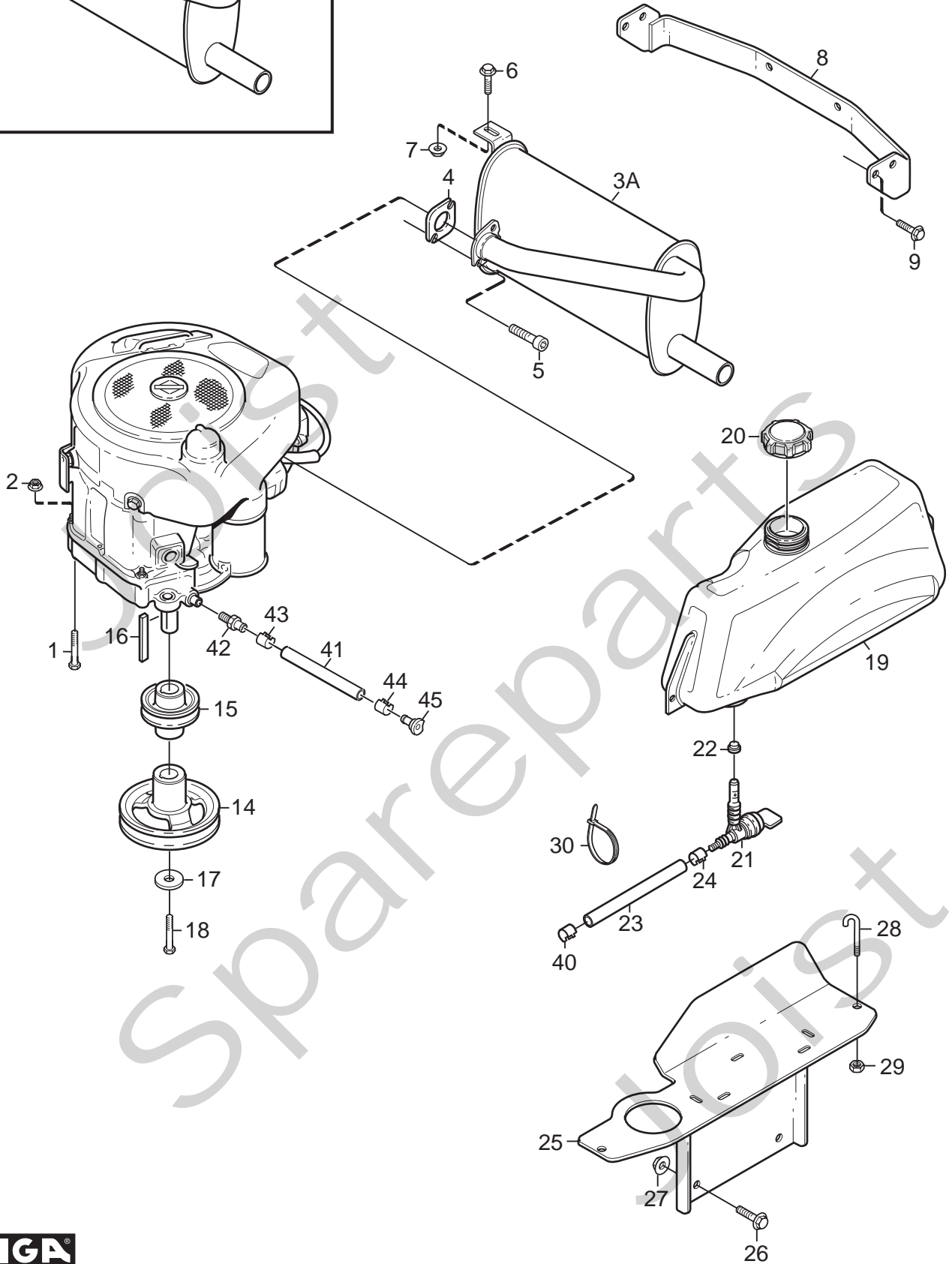
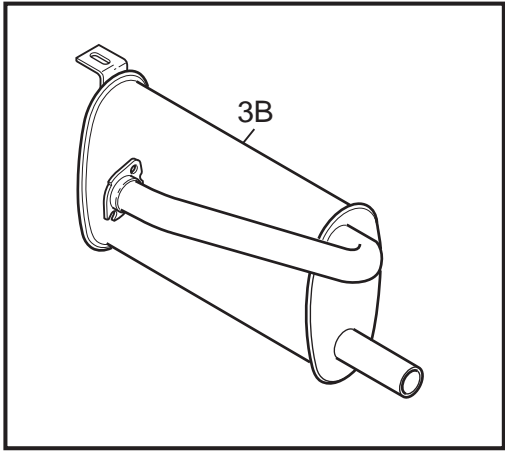
X



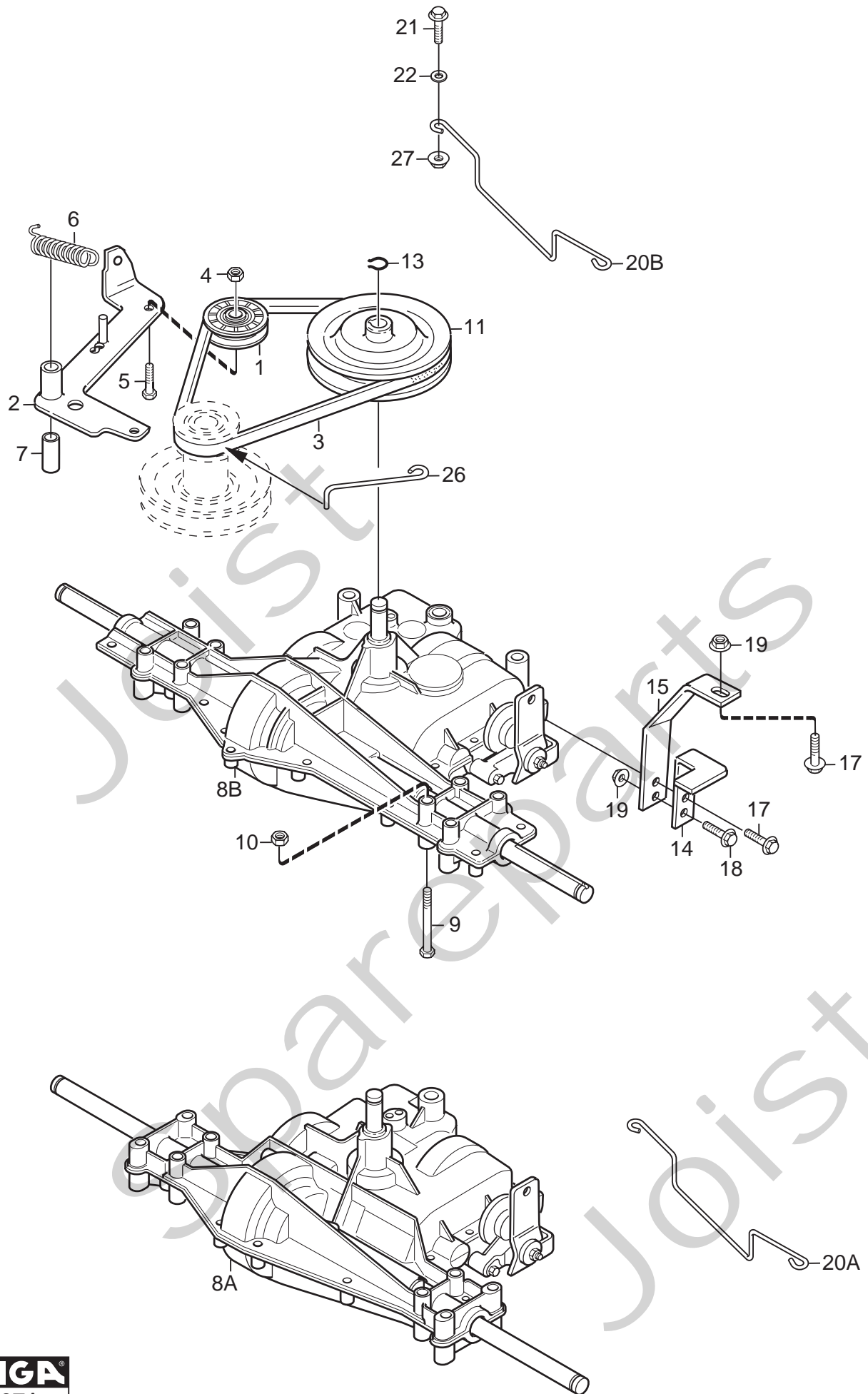
A



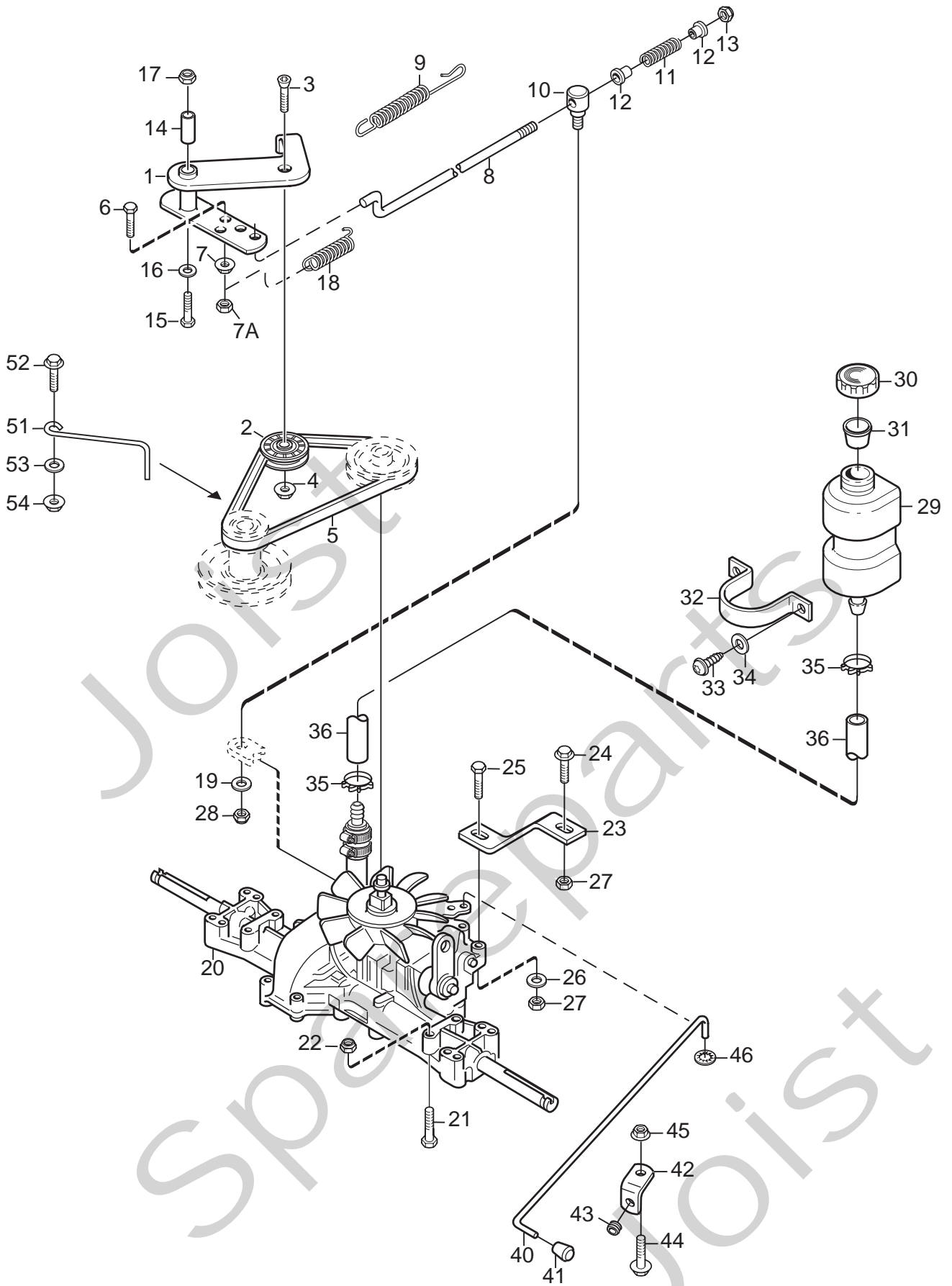
Utgåva Issue 2007- 11		Bildnr Picture No 1671A		PARK COMPACT ELUTRUSTNING		PARK COMPACT EL. EQUIPMENT		Sida Page 26	
Pos. Fig.	Antal/Quantity			Art nr Part No	Benämning	Description	Sats Kit	Anmärkning Notes	
	6101	6102 6103	6104						
1	1	1	1	1134-4804-01	Batteri.....	Battery .....			
2	1			1134-5768-01	Kablage.....	Harness.....			
2		1	1	1134-5769-01	Kablage.....	Harness.....			
2A	1	1	1	1134-3496-06	• Säkring .....	• Fuse .....		20A	
3	1	1	1	1134-5343-01	Batterikonsol .....	Battery bracket.....			
4	3	3	3	9852-8013-16	Skruv.....	Screw.....			
5	2	2	2	9699-0060-02	Planbricka.....	Flat washer.....			
6	1	1	1	1134-2962-01	Solenoid kpl .....	Solenoid assy.....			
7	2	2	2	9852-8013-16	Skruv.....	Screw.....			
8	2	2	2	9794-5131-02	• Mutter.....	• Nut.....			
9	1	1	1	1134-4093-01	Tändningslås .....	Ignition switch .....			
10	1	1	1	1134-4749-01	Mutter.....	Nut.....			
11	1	1	1	1134-5245-01	Batterirem.....	Battery strap .....			
12	1	1	1	1134-2167-01	Kabel .....	Cable .....			
13	1	1	1	1134-0234-02	Batterikabel ( + ).....	Battery cable ( + ).....			
14	1	1	1	1134-2310-01	Batteriskydd.....	Guard cap .....			
15	1	1	1	9795-3531-02	Mutter.....	Nut.....			
16	15	15	15	9579-0003-00	Buntband .....	Cable holder .....			
20	1			1134-2871-03	Relä .....	Relay .....			
21	1			9852-8013-16	Skruv.....	Screw.....			
22	1			9699-0099-02	Bricka .....	Washer.....			
25		1	1	1134-3399-02	Brytare.....	Switch.....			
26		2	2	9943-0516-16	Skruv.....	Screw.....			
26		2	2	9997-0520-16	Skruv.....	Screw.....			
27		2	2	9747-0531-02	Mutter.....	Nut.....			



Utgåva Issue		Bildnr Picture No		PARK COMPACT MOTOR		PARK COMPACT ENGINE		Sida Page	
2007- 11		1672C						28	
Pos. Fig.	Antal/Quantity				Art nr Part No	Benämning	Description	Sats Kit	Anmärkning Notes
	6101	6102	6103	6104					
1	3	4	4	4	9955-3725-16	Skruv .....	Screw .....		3/8" UNC x 25 mm M8 x 80 mm
1	1				9997-0880-16	Skruv .....	Screw .....		
2	1				9739-0831-22	Mutter .....	Nut .....		
3A	1	1			1134-5370-01	Ljuddämpare .....	Muffler .....		
3B			1	1	1134-5369-01	Ljuddämpare .....	Muffler .....		
4	1	1	1	1	1134-0433-00	Ljuddämparpackning .....	Muffler gasket .....		
5	2	2	2	2	1134-4930-01	Skruv .....	Screw .....		
6	1	1	1	1	9959-0820-16	Skruv .....	Screw .....		
7	1	1	1	1	9739-0831-22	Mutter .....	Nut .....		
8	1	1	1	1	1134-5390-01	Dragkroksbalk .....	Tow bar bracket .....		
9	4	4	4	4	9945-0816-16	Skruv .....	Screw .....		
X 14	1	1	1	1	1134-6419-01	Motorremskiva .....	Engine pulley .....		
15	1	1	1	1	1134-6137-01	Motorremskiva .....	Engine pulley .....		
16	1	1	1	1	9600-0251-01	Kil .....	Key .....		L = 2 1/2"
17	1	1	1	1	1134-5017-01	Bricka .....	Washer .....		
18	1	1	1	1	9987-5332-16	Skruv .....	Screw .....		
X 19	1	1	1	1	1134-5335-01	Bränsletank .....	Fuel tank .....		
20	1	1	1	1	1134-5532-01	Tanklock .....	Fuel tank cap .....		
21	1	1	1	1	1134-3224-01	Bensinkran .....	Fuel shut-off valve .....		
22	1	1	1	1	1134-3225-01	Gummibussning .....	Grommet .....		
23	1	1	1	1	1134-2975-01	Bensinslang .....	Fuel hose .....		L = 520 mm
23				1	1134-2975-06	Bensinslang .....	Fuel hose .....		L = 305 mm
24	1	1	1	1	9578-0023-02	Slangklämma .....	Hose clamp .....		
25	1	1	1	1	1134-5340-01	Tankkonsol .....	Fuel tank bracket .....		
26	2	2	2	2	9959-0820-16	Skruv .....	Screw .....		
27	2	2	2	2	9739-0831-22	Mutter .....	Nut .....		
28	2	2	2	2	1134-5346-01	Tankbygel .....	Fuel tank loop .....		
29	2	2	2	2	9747-0631-02	Låsmutter .....	Lock nut .....		
30	1	1	1	1	9579-0003-00	Buntband .....	Cable holder .....		
40	1	1	1	1	9578-0023-02	Slangklämma .....	Hose clamp .....		
41	1	1	1	1	1134-5827-01	Oljeavtappning kpl .....	Oil drain assy .....		
42	1	1	1	1	1134-5825-01	• Nippel .....	• Nipple .....		
43	1	1	1	1	9578-0023-04	• Slangklämma .....	• Hose clamp .....		
44	1	1	1	1	1134-3499-02	• Slangklämma .....	• Hose clamp .....		
45	1	1	1	1	1134-5826-01	• Plugg .....	• Plug .....		



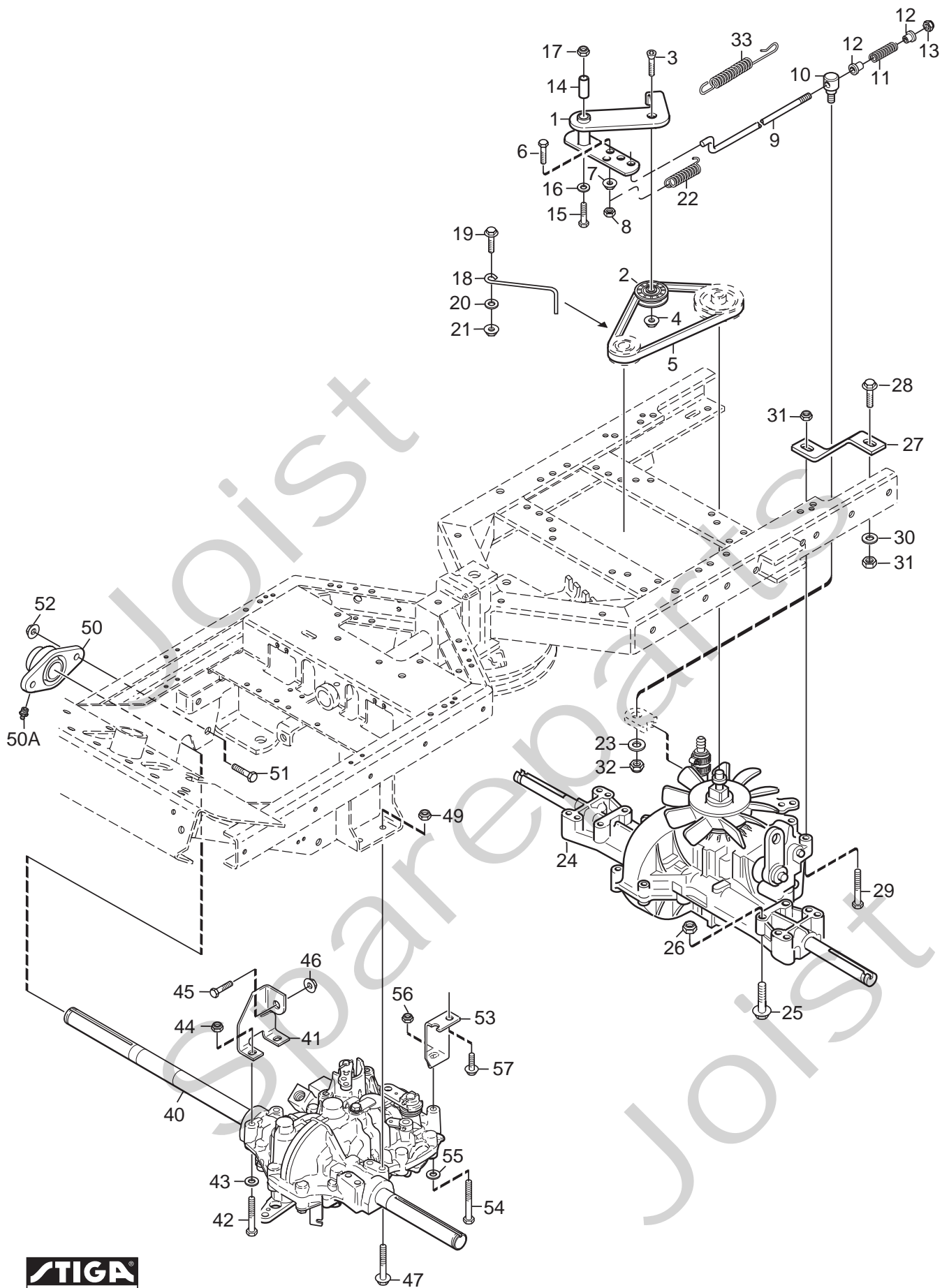
Utgåva Issue		Bildnr Picture No		PARK COMPACT 2WD TRANSMISSION		PARK COMPACT 2WD TRANSMISSION		Sida Page	
2007- 11		1667A						30	
Pos. Fig.	Antal/Quantity				Art nr Part No	Benämning	Description	Sats Kit	Anmärkning Notes
	6101								
X	1	1			1134-9027-02	Spännrulle- grå .....	Tension roller- grey .....		
	2	1			1134-2015-04	Spännarm .....	Tension arm .....		
	3	1			1134-9013-01	Drivrem .....	V- belt .....		= 9585- 0057- 00
	4	1			9799-1031-02	Mutter .....	Nut .....		
	5	1			9997-1030-16	Skruv .....	Screw .....		
	6	1			1134-4337-01	Dragfjäder .....	Spring .....		
	7	1			1134-1565-01	Distans .....	Spacer .....		
	8A	1			1134-5282-01	Transaxel kpl. ....	Transaxle assy. ....		Dana 4360- 198
X	8B	1			1134-6349-01	Transaxel kpl. ....	Transaxle assy. ....		Dana 6800- 8
X	9	3			9960-0860-12	Skruv .....	Screw .....		L = 60 mm
	9	1			9997-0870-16	Skruv .....	Screw .....		L = 70 mm
	10	4			9747-0831-02	Mutter .....	Lock nut .....		
	11	1			1134-3182-01	Remskiva .....	Belt pulley .....		
	13	1			9650-0016-04	Spårring .....	Lock ring .....		
	14	1			1134-2045-02	Bromsstopp .....	Brake stop .....		
	15	1			1134-2986-01	Konsol .....	Bracket .....		
	17	2			9942-0820-16	Skruv .....	Screw .....		
	18	1			9959-0820-16	Skruv .....	Screw .....		
	19	2			9739-0831-22	Mutter .....	Nut .....		
	20A	1			1134-5529-01	Remstyrning .....	Belt guide .....		Dana 4360- 198
X	20B	1			1134-5529-02	Remstyrning .....	Belt guide .....		Dana 6800- 8
	21	2			9959-0820-16	Skruv .....	Screw .....		
	22	2			9699-0056-02	Planbricka .....	Flat washer .....		
	26	1			1134-3289-02	Remstyrning .....	Belt guide .....		
	27	2			9739-0831-22	Mutter .....	Nut .....		





Utgåva Issue		Bildnr Picture No		PARK COMPACT HST 2WD TRANSMISSION		PARK COMPACT HST 2WD TRANSMISSION		Sida Page	
2007- 11		1668A						32	
Pos. Fig.	Antal/Quantity				Art nr Part No	Benämning	Description	Sats Kit	Anmärkning Notes
	6102	6103							
1	1			1134-4000-02	Spännarm .....	Tension arm .....			
2	1			1134-3459-01	Spännrulle .....	Tension roller .....			
3	1			9924-1035-16	Skruv .....	Screw .....			
4	1			9799-1031-02	Mutter .....	Nut .....			
5	1			1134-9058-01	Drivrem .....	V- belt.....			
6	1			9997-0625-16	Skruv .....	Screw .....			
7	1			9739-0631-22	Mutter .....	Nut .....			
7A	1			9747-0631-02	Låsmutter .....	Lock nut .....			
8	1			1134-3377-02	Reglagestång .....	Control rod.....			
9	1			4231-0013-00	Fjäder .....	Spring .....			
10	1			1134-4171-01	Ledtapp .....	Pivot pin .....			
11	1			1134-4183-01	Tryckfjäder .....	Compression spring.....			
12	2			1134-3456-01	Bussning .....	Bushing .....			
13	1			9747-0631-02	Låsmutter .....	Lock nut .....			
14	1			1134-1565-08	Distans .....	Spacer .....			
15	1			9997-0870-16	Skruv .....	Screw .....			
16	1			9699-0056-02	Planbricka .....	Flat washer.....			
17	1			9747-0831-02	Mutter .....	Lock nut .....			
18	1			1134-1949-01	Fjäder .....	Spring .....			
19	1			9699-0060-02	Planbricka .....	Flat washer.....			
20	1			1134-4848-01	Transaxel kpl.....	Transaxle assy.....		Kanzaki K46G	
21	4			9960-0860-12	Skruv .....	Screw .....			
22	4			9747-0831-02	Mutter .....	Lock nut .....			
23	1			1134-3913-01	Reaktionsstag .....	Strut .....			
24	1			9959-0825-16	Skruv .....	Screw .....			
25	1			9997-0845-12	Skruv .....	Screw .....			
26	1			9699-0090-02	Planbricka .....	Flat washer.....			
27	2			9747-0831-02	Mutter .....	Lock nut .....			
28	1			9747-0631-02	Låsmutter .....	Lock nut .....			
29	1			1134-2765-02	Oljetank .....	Oil tank .....			
30	1			1134-2777-02	Tanklock .....	Filler cap .....			
31	1			1134-3734-01	Luftningsplugg .....	Vent plug .....			
32	1			1134-2778-01	Fästband .....	Retainer strap .....			
33	2			9852-8013-16	Skruv .....	Screw .....			
34	2			9699-0099-02	Bricka .....	Washer .....			
35	2			9578-0023-04	Slangklämma .....	Hose clamp .....			
36	1			1134-2779-07	Slang .....	Tube .....		L = 140 mm	
40	1			1134-4015-01	Dragstång .....	Pull rod .....			
41	1			1134-4014-01	Plastknopp .....	Plastic button .....			
42	1			1134-4713-01	Vinkel .....	Bracket .....			
43	1			1134-2790-01	Gummihylsa .....	Rubber grommet.....			
44	1			9959-0820-16	Skruv .....	Screw .....			
45	1			9739-0831-22	Mutter .....	Nut .....			
46	1			9675-0009-02	Starlock .....	Starlock .....			
51	1			1134-3289-02	Remstyrning .....	Belt guide .....			
52	1			9959-0820-16	Skruv .....	Screw .....			
53	1			9699-0056-02	Planbricka .....	Flat washer.....			
54	1			9739-0831-22	Mutter .....	Nut .....			

X

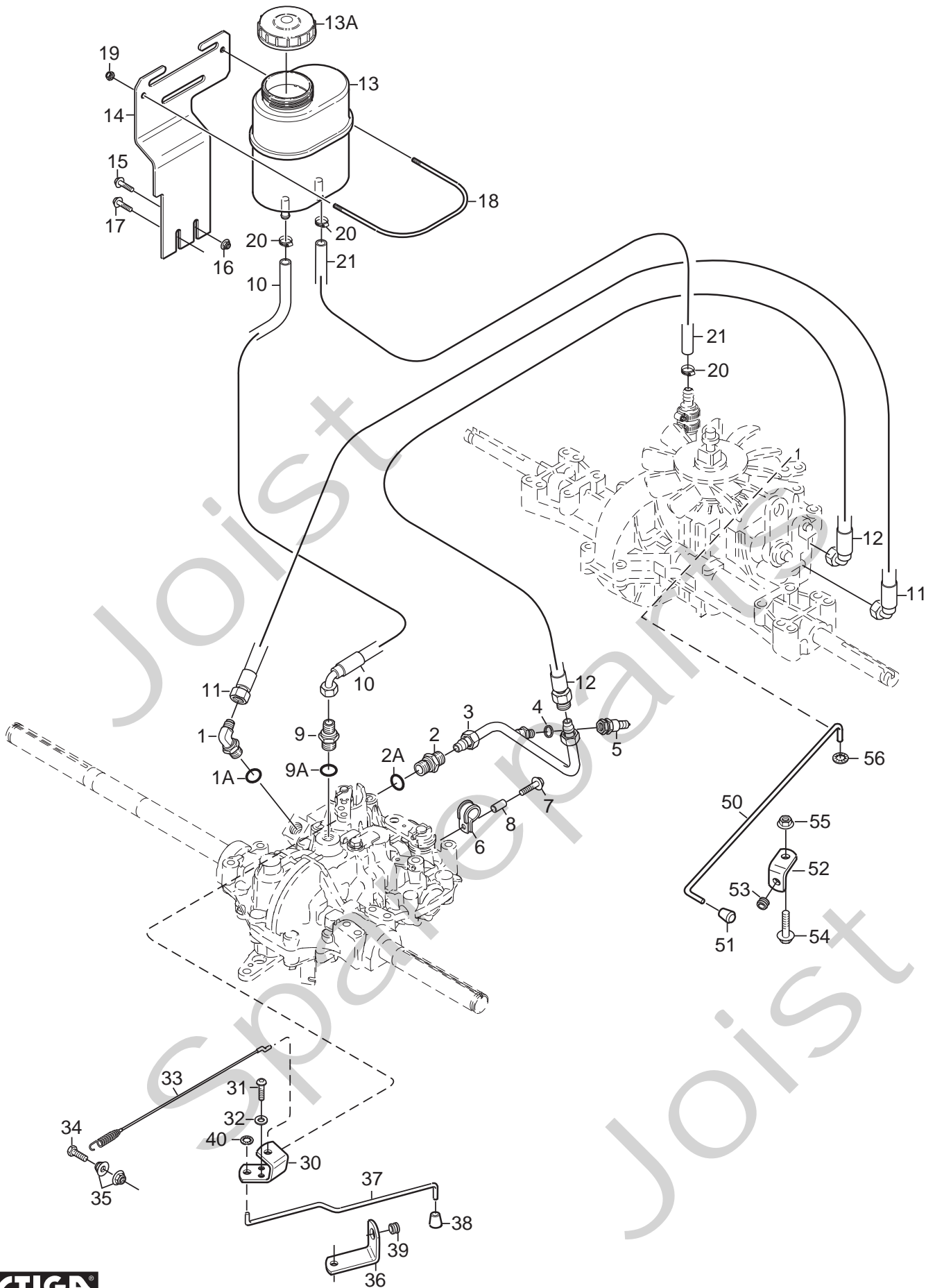


Utgåva Issue 2007- 11		Bildnr Picture No 2027A		PARK COMPACT 4WD TRANSMISSION (mekaniska delar)		PARK COMPACT 4WD TRANSMISSION (mechanical parts)		Sida Page 34	
Pos. Fig.	Antal/Quantity				Art nr Part No	Benämning	Description	Sats Kit	Anmärkning Notes
	6104								
	1				1134- 4000- 02	Spännarm .....	Tension arm .....		
	2				1134- 3459- 01	Spännrulle .....	Tension roller .....		
	3				9924- 1035- 16	Skruv .....	Screw .....		
	4				9799- 1031- 02	Mutter .....	Nut .....		
	5				1134- 9058- 01	Drivrem .....	V- belt.....		
	6				9997- 0625- 16	Skruv .....	Screw .....		
	7				9739- 0631- 22	Mutter .....	Nut .....		
	8				9747- 0631- 02	Låsmutter .....	Lock nut .....		
	9				1134- 3377- 02	Reglagestång .....	Control rod .....		
	10				1134- 4171- 01	Ledtapp .....	Pivot pin .....		
	11				1134- 4183- 01	Tryckfjäder .....	Compression spring .....		
	12				1134- 3456- 01	Bussning .....	Bushing .....		
	13				9747- 0631- 02	Låsmutter .....	Lock nut .....		
	14				1134- 1565- 08	Distans .....	Spacer .....		
	15				9997- 0870- 16	Skruv .....	Screw .....		
	16				9699- 0056- 02	Planbricka .....	Flat washer .....		
	17				9747- 0831- 02	Mutter .....	Lock nut .....		
	18				1134- 3289- 02	Remstyrning .....	Belt guide .....		
	19				9959- 0820- 16	Skruv .....	Screw .....		
	20				9699- 0056- 02	Planbricka .....	Flat washer .....		
	21				9739- 0831- 22	Mutter .....	Nut .....		
	22				1134- 1949- 01	Fjäder .....	Spring .....		
	23				9699- 0060- 02	Planbricka .....	Flat washer .....		
	24				1134- 6028- 01	Transaxel kpl. ....	Transaxle assy .....		
X	24				1134- 6394- 01	Transaxel kpl. ....	Transaxle assy .....		Kanzaki K574B Kanzaki K574G
X	25				9960- 0860- 12	Skruv .....	Screw .....		
	26				9747- 0831- 02	Mutter .....	Lock nut .....		
	27				1134- 3913- 01	Reaktionsstag .....	Strut .....		
	28				9959- 0825- 16	Skruv .....	Screw .....		
	29				9997- 0845- 12	Skruv .....	Screw .....		
	30				9699- 0090- 02	Planbricka .....	Flat washer .....		
	31				9747- 0831- 02	Mutter .....	Lock nut .....		
	32				9747- 0631- 02	Låsmutter .....	Lock nut .....		
	33				4231- 0013- 00	Fjäder .....	Spring .....		
	40				1134- 6029- 01	Motoraxel- fram .....	Transaxle- front .....		
	41				1134- 5650- 01	Transaxelfäste .....	Transaxle bracket .....		
	42				9997- 0860- 16	Skruv .....	Screw .....		
	43				9699- 0090- 02	Planbricka .....	Flat washer .....		
	44				9747- 0831- 02	Mutter .....	Lock nut .....		
	45				9959- 1025- 16	Skruv .....	Screw .....		
X	46				9731- 1031- 22	Mutter .....	Nut .....		
X	47				9960- 0860- 12	Skruv .....	Screw .....		
	49				9747- 0831- 02	Mutter .....	Lock nut .....		
	50				1134- 5703- 01	Flänslagerenhet .....	Flange bearing .....		
	50A				9501- 0500- 00	- Smörjnipfel .....	- Grease joint .....		
	51				9997- 1040- 16	Skruv .....	Screw .....		
X	52				9731- 1031- 22	Mutter .....	Nut .....		
	53				1134- 5670- 01	Reaktionsstag .....	Strut .....		
	54				9997- 0880- 16	Skruv .....	Screw .....		
	55				9699- 0090- 02	Planbricka .....	Flat washer .....		
	56				9747- 0831- 02	Mutter .....	Lock nut .....		
	57				9945- 0816- 16	Skruv .....	Screw .....		

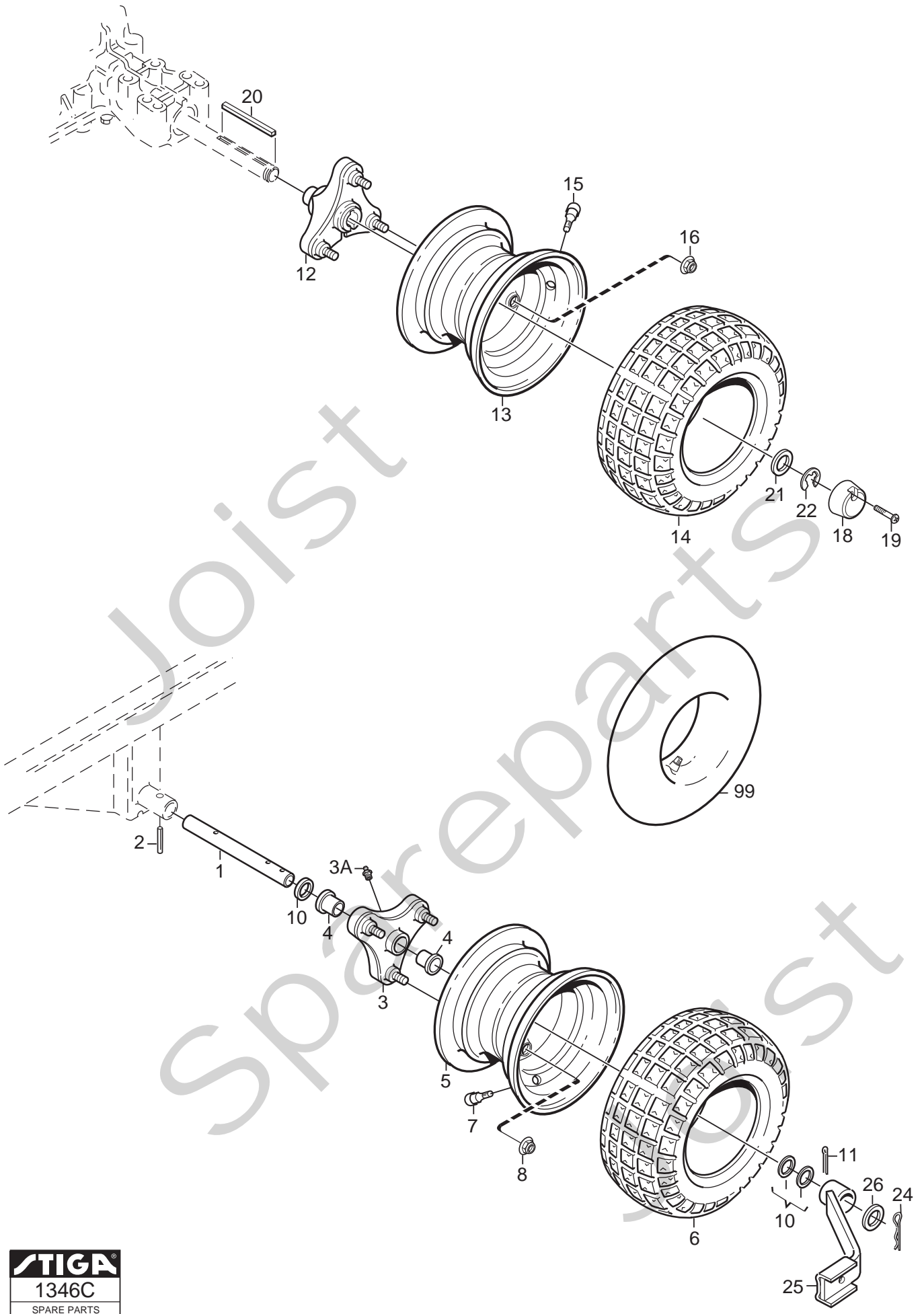
= 9585- 0091- 01

Kanzaki K574B  
Kanzaki K574G

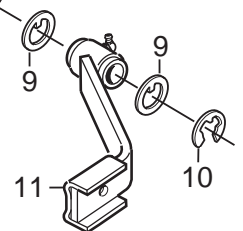
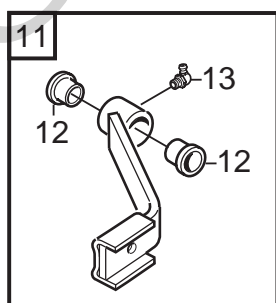
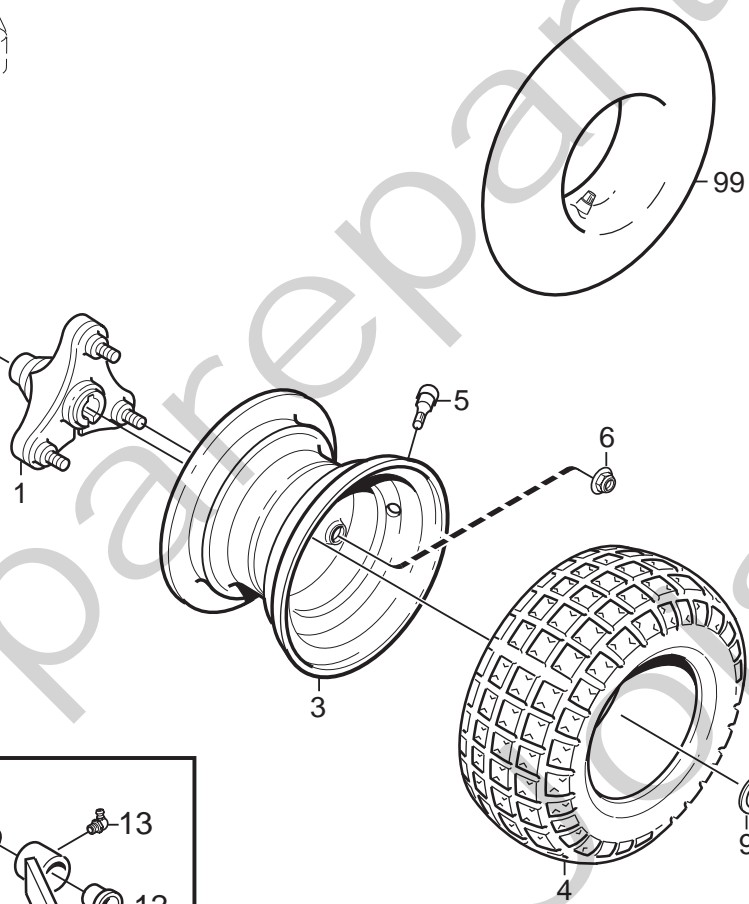
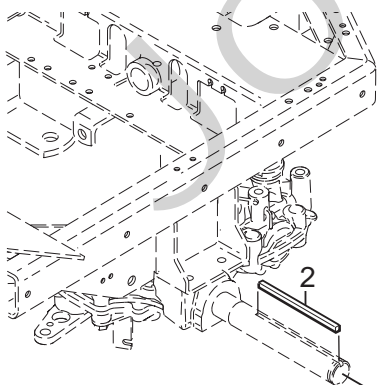
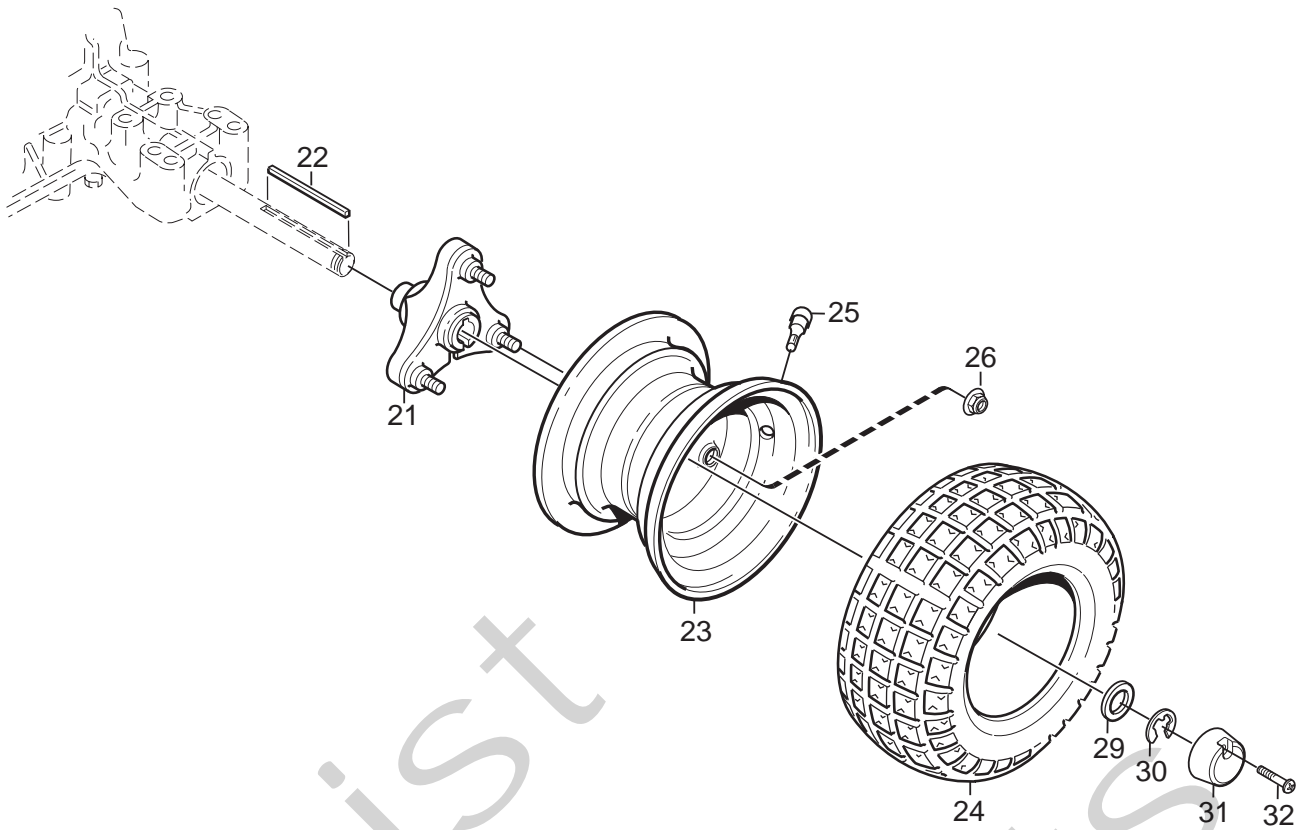
Kanzaki KTM 10M



Utgåva Issue 2007- 11		Bildnr Picture No 2028		PARK COMPACT 4WD TRANSMISSION (hydrauliska delar)		PARK COMPACT 4WD TRANSMISSION (hydraulic parts)		Sida Page 36	
Pos. Fig.	Antal/Quantity				Art nr Part No	Benämning	Description	Sats Kit	Anmärkning Notes
	6104								
1	1				1134-6044-01	Vinkeladapter .....	Angle coupling .....		3/4" x 9/16"
1A	1				9404-0029-01	• O-ring .....	• O-ring .....		
2	1				1134-5875-01	Skärringskoppling .....	Hydraulic coupling .....		3/4"
2A	1				9404-0029-01	• O-ring .....	• O-ring .....		
3	1				1134-6039-01	Hydraulrör .....	Hydraulic pipe .....		
4	1				1134-4948-01	Tredobricka .....	Seal washer .....		1/4"
5	1				1134-6042-01	Snabbkoppling- hane .....	Quick coupling- male .....		
6	1				9578-0028-01	Rörklammer .....	Tube clamp .....		
7	1				9959-0825-16	Skruv .....	Screw .....		
8	1				1134-1565-09	Distans .....	Spacer .....		
9	1				1134-5809-01	Adapter .....	Hydraulic coupling .....		3/4" x 9/16"
9A	1				9404-0029-01	• O-ring .....	• O-ring .....		
10	1				1134-5758-01	Hydraulslang .....	Hydraulic tube .....		
11	1				1134-6048-01	Hydraulslang .....	Hydraulic tube .....		
12	1				1134-6043-01	Hydraulslang .....	Hydraulic tube .....		
13	1				1134-6011-01	Hydraultank .....	Hydraulic oil tank .....		
13A	1				1134-5965-01	• Tanklock .....	• Tank cap .....		
14	1				1134-6009-01	Tankkonsol .....	Tank bracket .....		
15	1				9959-0820-16	Skruv .....	Screw .....		
16	1				9739-0831-22	Mutter .....	Nut .....		
17	1				9945-0816-16	Skruv .....	Screw .....		
18	1				1134-6030-01	Tankbygel .....	Tank loop .....		
19	2				9747-0631-02	Låsmutter .....	Lock nut .....		
20	3				9578-0023-04	Slangklämma .....	Hose clamp .....		
21	1				1134-2779-08	Slang .....	Tube .....		L = 165 mm
30	1				1134-6162-01	Fäste .....	Bracket .....		
31	2				9939-0612-16	Skruv .....	Screw .....		
32	2				9699-0025-02	Planbricka .....	Washer .....		
33	1				1134-6163-01	Wire .....	Cable .....		
34	1				9997-0835-12	Skruv .....	Screw .....		
35	2				9739-0831-22	Mutter .....	Nut .....		
36	1				1134-6084-01	Reglagekonsol .....	Control bracket .....		
37	1				1134-6083-01	Reglagestång .....	Control rod .....		
38	1				1134-4014-01	Plastknopp .....	Plastic button .....		
39	1				1134-2790-01	Gummihylsa .....	Rubber grommet .....		
40	1				9675-0009-02	Starlock .....	Starlock .....		
50	1				1134-4015-01	Dragstång .....	Pull rod .....		
51	1				1134-4014-01	Plastknopp .....	Plastic button .....		
52	1				1134-4713-01	Vinkel .....	Bracket .....		
53	1				1134-2790-01	Gummihylsa .....	Rubber grommet .....		
54	1				9959-0820-16	Skruv .....	Screw .....		
55	1				9739-0831-22	Mutter .....	Nut .....		
56	1				9675-0009-02	Starlock .....	Starlock .....		

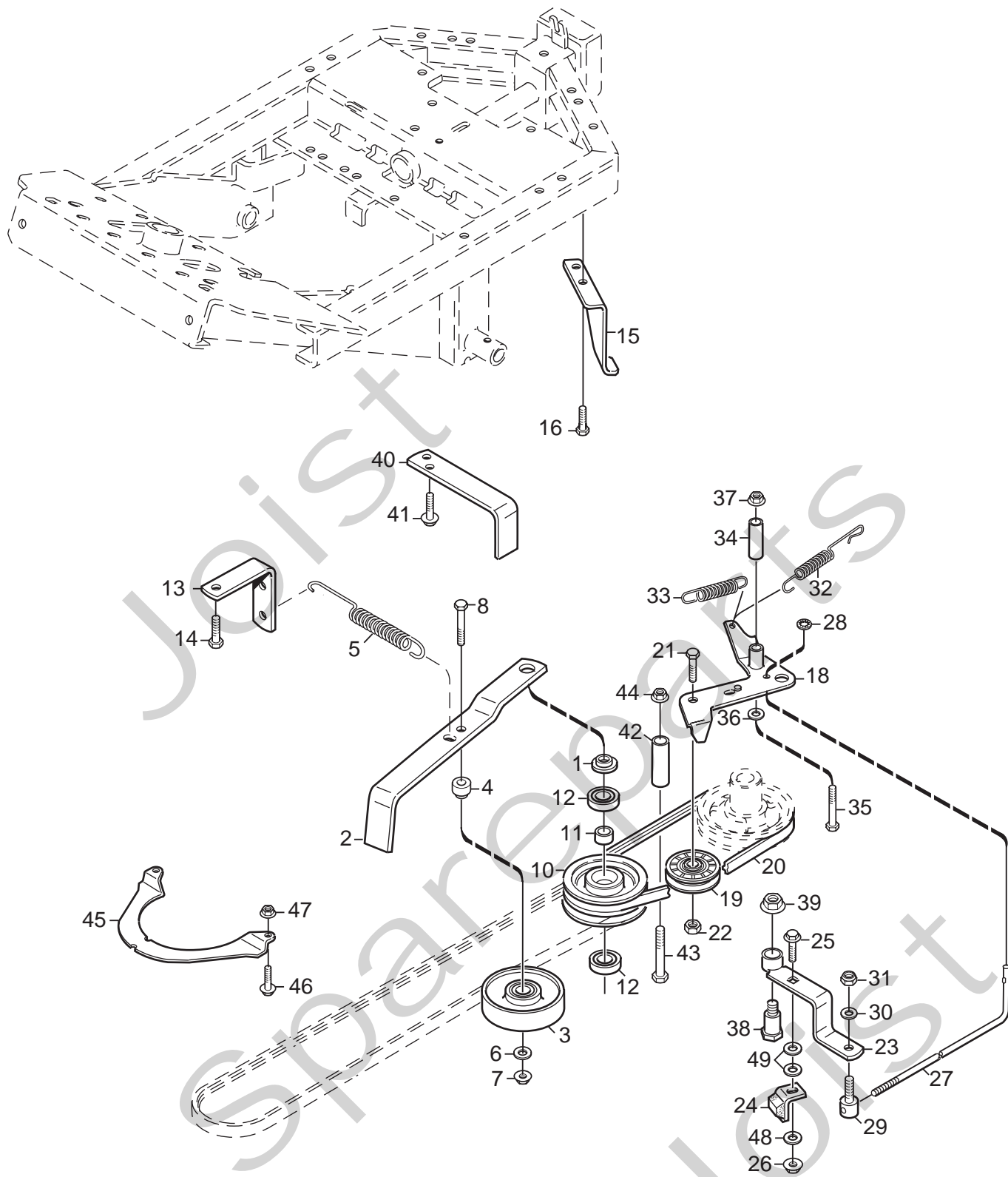


Utgåva Issue		Bildnr Picture No		PARK COMPACT 2WD HJUL		PARK COMPACT 2WD WHEELS		Sida Page	
2007- 11		1346C						38	
Pos. Fig.	Antal/Quantity			Art nr Part No	Benämning	Description	Sats Kit	Anmärkning Notes	
	6101	6102	6103						
1	2	2	2	1134-0075-01	Framaxeltapp .....	Front axle .....			
2	2	2	2	9595-0258-00	Spännstift .....	Locating pin .....			
3	2	2	2	1134-4844-05	Hjulnav kpl.....	Wheel hub assy.....			
3A	1	1	1	9501-0500-00	• Smörjnippel .....	• Grease joint.....			
4	1	1	1	1134-9026-01	• Lagerbussning.....	• Bearing bush kit .....		Sats 4 st/kit of 4	
5			2	1134-4558-01	Fälg.....	Rim .....			
5	2	2		1134-5255-01	Fälg.....	Rim .....			
6			2	9545-0116-00	Däck .....	Tyre .....		16 x 7.50 - 8	
6	2	2		9545-0126-01	Däck .....	Tyre .....		16 x 6.00 - 8	
7	2	2	2	9545-0500-00	Ventil .....	Valve .....			
8	6	6	6	9731-1031-22	Mutter.....	Nut .....			
10	8	8	8	1134-0341-01	Bricka .....	Washer.....			
11	2	2	2	9599-0080-02	Saxsprint .....	Cotter pin .....			
12	2	2	2	1134-4844-02	Hjulnav .....	Wheel hub .....			
13			2	1134-4558-01	Fälg.....	Rim .....			
13	2	2		1134-5255-01	Fälg.....	Rim .....			
14			2	9545-0116-00	Däck .....	Tyre .....		16 x 7.50 - 8	
14	2	2		9545-0126-01	Däck .....	Tyre .....		16 x 6.00 - 8	
15	2	2	2	9545-0500-00	Ventil .....	Valve .....			
16	6	6	6	9731-1031-22	Mutter.....	Nut .....			
18	2	2	2	1134-4796-01	Navkapsel .....	Hub cap.....			
19	2	2	2	9947-0540-19	Skruv.....	Screw.....			
20			2	1134-2471-01	Kil .....	Key .....		L = 58 mm	
20	2			1134-2471-03	Kil .....	Key .....		L = 44 mm	
21	2	2	2	9699-0042-02	Planbricka.....	Flat washer.....			
22	2	2	2	9653-0001-04	Spärryttare .....	Lock ring.....			
24	2	2	2	9598-0003-02	Låsnål .....	Spring pin .....			
25	2	2	2	1134-3710-01	Redskapsfäste .....	Tool attachment .....			
26	2	2	2	9699-0042-02	Planbricka.....	Flat washer.....			
99				9545-0203-00	Innerslang .....	Inner tube .....		Reservdel/spare part	

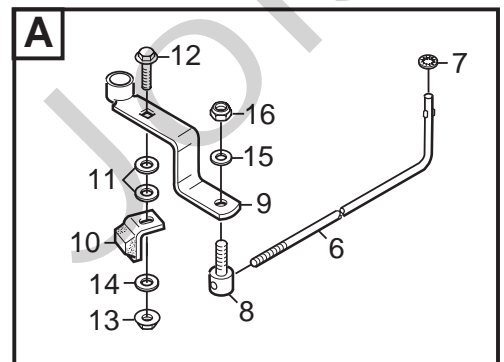
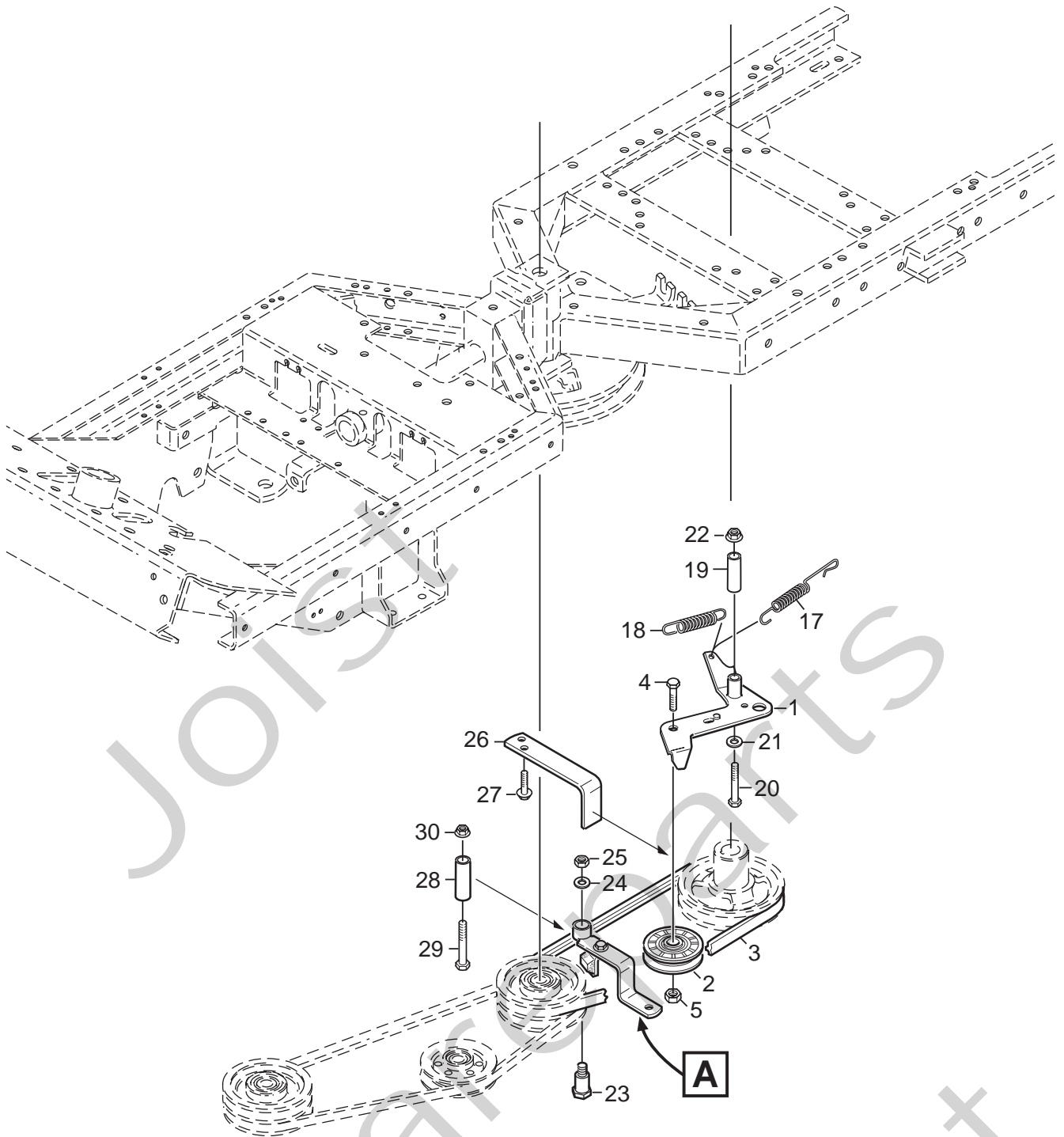




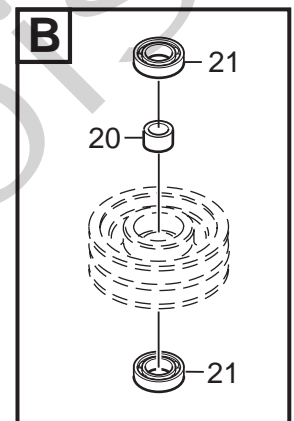
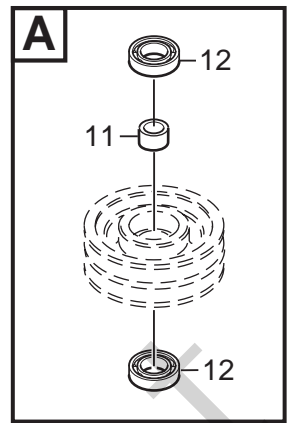
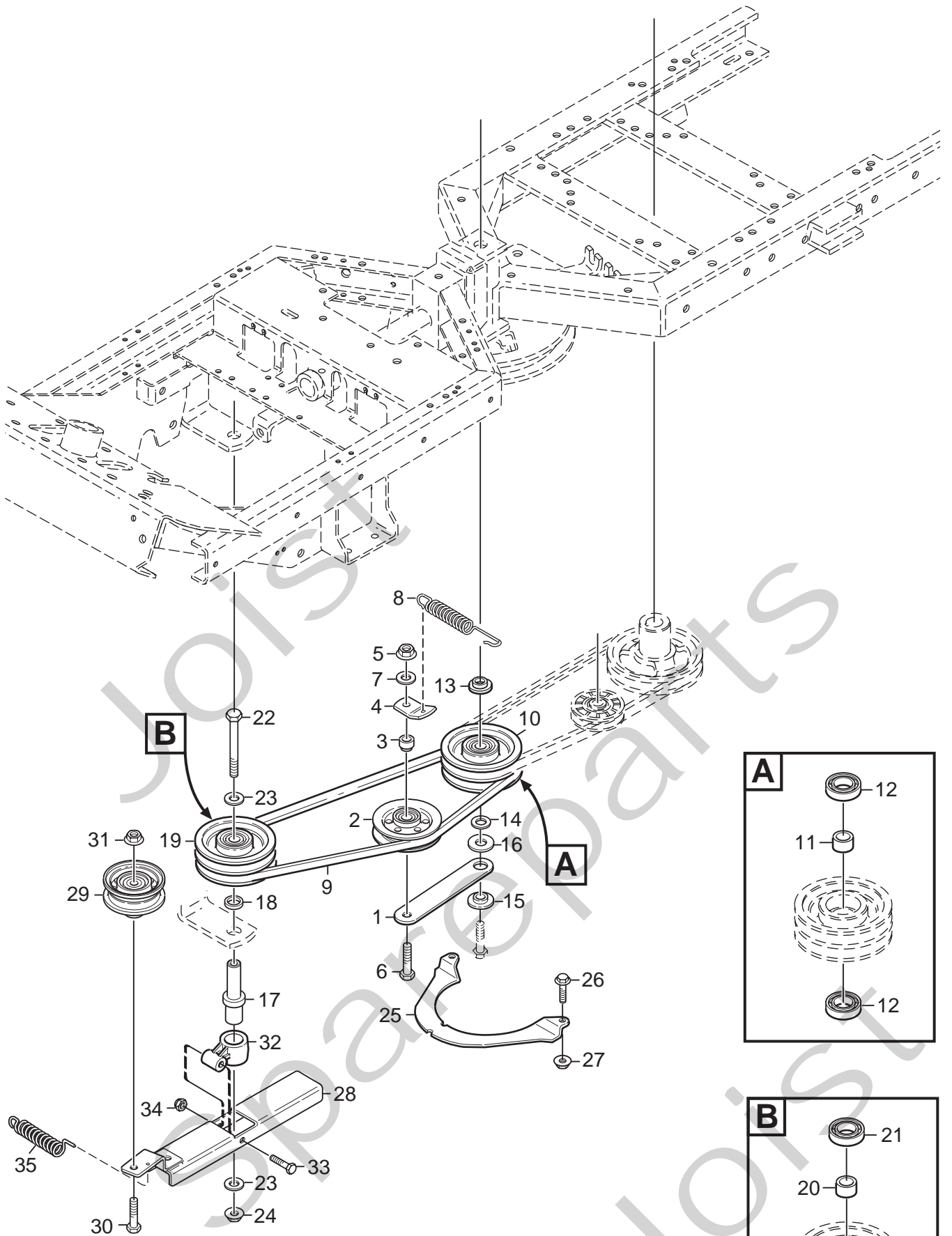
Utgåva Issue		Bildnr Picture No		PARK COMPACT 4WD HJUL		PARK COMPACT 4WD WHEELS		Sida Page	
2007- 11		2029A						40	
Pos. Fig.	Antal/Quantity				Art nr Part No	Benämning	Description	Sats Kit	Anmärkning Notes
	6104								
1	2				1134-4844-03 Hjulnav .....	Wheel hub .....			
2	2				1134-3383-02 Kil .....	Key .....			
3	2				1134-4558-01 Fälg .....	Rim .....			
4	2				9545-0116-00 Däck .....	Tyre .....			16 x 7.50 - 8
5	2				9545-0500-00 Ventil .....	Valve .....			
6	6				9731-1031-22 Mutter .....	Nut .....			
9	4				1134-5797-01 Bricka .....	Washer .....			
10	2				9653-0002-04 Spårryttare .....	Lock ring .....			
11	2				1134-5886-01 Redskapsfäste kpl. ....	Tool attachment assy .....			
12	2				1134-5686-01 • Lagerbussning .....	• Bearing bush .....			
13	1				9501-0502-00 • Smörjnippel .....	• Grease joint .....			
21	2				1134-4844-02 Hjulnav .....	Wheel hub .....			
22	2				1134-2471-01 Kil .....	Key .....			
23	2				1134-4558-01 Fälg .....	Rim .....			
24	2				9545-0116-00 Däck .....	Tyre .....			16 x 7.50 - 8
25	2				9545-0500-00 Ventil .....	Valve .....			
26	6				9731-1031-22 Mutter .....	Nut .....			
29	2				9699-0042-02 Planbricka .....	Flat washer .....			
30	2				9653-0001-04 Spårryttare .....	Lock ring .....			
31	2				1134-4796-01 Navkapsel .....	Hub cap .....			
32	2				9947-0540-19 Skruv .....	Screw .....			
99					9545-0203-00 Innerslang .....	Inner tube .....			Reservdel/spare part



Utgåva Issue		Bildnr Picture No		PARK COMPACT 2WD KRAFTUTTAG		PARK COMPACT 2WD POWER TAKE- OFF		Sida Page	
2007- 11		1030G						42	
Pos. Fig.	Antal/Quantity				Art nr Part No	Benämning	Description	Sats Kit	Anmärkning Notes
	6101	6102	6103						
1	1				1134-5548-01	Distans .....	Spacer .....		
2	1				1134-5109-01	Spännhjularm .....	Tension wheel arm .....		
3	1				1134-1770-01	Spännrulle .....	Tension roller .....		
4	1				1134-1888-04	Distans .....	Spacer .....		
5	1				1134-5111-01	Fjäder .....	Spring .....		
6	1				9699-0056-02	Planbricka .....	Flat washer .....		
7	1				9739-0831-22	Mutter .....	Nut .....		
8	1				9997-0855-12	Skruv .....	Screw .....		
10	1				1134-1769-03	Centrumremskiva kpl. ....	Centre pulley assy .....		
11	1				1134-0051-09	• Distans .....	• Spacer .....		
12	2				9549-0019-00	• Kullager .....	• Ball bearing .....		
13	1				1134-5112-01	Fjäderfäste .....	Spring attachment .....		
14	2				9945-0816-16	Skruv .....	Screw .....		
15	1				1134-5110-01	Hake .....	Hook .....		
16	2				9893-0616-16	Skruv .....	Screw .....		
18	1				1134-2018-02	Spännarm .....	Tension arm .....		
X 19	1				1134-9027-02	Spännrulle- grå .....	Tension roller- grey .....		
20	1				1134-9071-01	Drivrem .....	V- belt .....		= 9585-0129-01
21	1				9997-1030-16	Skruv .....	Screw .....		
22	1				9799-1031-02	Mutter .....	Nut .....		
23	1				1134-4111-01	Bromsarm .....	Brake arm .....		
24	1				1134-4164-03	Bromsklots .....	Brake pad .....		
25	1				9897-0825-16	Skruv .....	Screw .....		
26	1				9747-0831-02	Mutter .....	Lock nut .....		
27	1				1134-4162-01	Bromsstång .....	Brake rod .....		
28	1				9675-0008-02	Starlock .....	Locking washer .....		
29	1				1134-4170-01	Nippel .....	Nipple .....		
30	1				9699-0025-02	Planbricka .....	Washer .....		
31	1				9747-0631-02	Låsmutter .....	Lock nut .....		
32	1				4231-0013-00	Fjäder .....	Spring .....		
33	1				1134-4231-01	Dragfjäder .....	Spring .....		
34	1				1134-1565-10	Distans .....	Spacer .....		
35	1				9997-0860-16	Skruv .....	Screw .....		
36	1				9699-0056-02	Planbricka .....	Flat washer .....		
37	1				9739-0831-22	Mutter .....	Nut .....		
38	1				1134-4163-01	Ansatsskruv .....	Shoulder bolt .....		
X 39	1				9731-1031-22	Mutter .....	Nut .....		
40	1				1134-3958-01	Remstyrning .....	Belt guide .....		
41	2				9893-0616-16	Skruv .....	Screw .....		
42	1				1134-0041-03	Hylsa .....	Collar .....		
43	1				9997-1070-12	Skruv .....	Screw .....		
44	1				9739-1031-22	Mutter .....	Nut .....		
45	1				1134-3654-01	Fingerskydd .....	Finger guard .....		
46	2				9959-0612-16	Skruv .....	Screw .....		
47	2				9739-0631-22	Mutter .....	Nut .....		
48	1				9699-0090-02	Planbricka .....	Flat washer .....		
49	2				9699-0035-02	Planbricka .....	Flat washer .....		



Utgåva Issue		Bildnr Picture No		PARK COMPACT 4WD KRAFTUTTAG 1		PARK COMPACT 4WD POWER TAKE-OFF 1		Sida Page	
2007-11		2030						44	
Pos. Fig.	Antal/Quantity				Art nr Part No	Benämning	Description	Sats Kit	Anmärkning Notes
	6104								
X 1	1				1134-2018-02	Spännarm .....	Tension arm .....		
2	1				1134-9027-02	Spännrulle- grå .....	Tension roller- grey .....		
3	1				1134-9071-01	Drivrem .....	V- belt .....		
4	1				9997-1030-16	Skruv .....	Screw .....		= 9585-0129-01
5	1				9799-1031-02	Mutter .....	Nut .....		
6	1				1134-4162-01	Bromsstång .....	Brake rod .....		
7	1				9675-0008-02	Starlock .....	Locking washer .....		
8	1				1134-4170-01	Nippel .....	Nipple .....		
9	1				1134-4111-01	Bromsarm .....	Brake arm .....		
10	1				1134-4164-03	Bromsklots .....	Brake pad .....		
11	2				9699-0035-02	Planbricka .....	Flat washer .....		
12	1				9897-0825-16	Skruv .....	Screw .....		
13	1				9747-0831-02	Mutter .....	Lock nut .....		
14	1				9699-0090-02	Planbricka .....	Flat washer .....		
15	1				9699-0025-02	Planbricka .....	Washer .....		
16	1				9747-0631-02	Låsmutter .....	Lock nut .....		
17	1				4231-0013-00	Fjäder .....	Spring .....		
18	1				1134-4231-01	Dragfjäder .....	Spring .....		
19	1				1134-1565-10	Distans .....	Spacer .....		
20	1				9997-0860-16	Skruv .....	Screw .....		
21	1				9699-0056-02	Planbricka .....	Flat washer .....		
22	1				9739-0831-22	Mutter .....	Nut .....		
23	1				1134-4163-01	Ansatskruv .....	Shoulder bolt .....		
24	1				9699-0035-02	Planbricka .....	Flat washer .....		
25	1				9739-1031-22	Mutter .....	Nut .....		
26	1				1134-3958-01	Remstyrning .....	Belt guide .....		
27	2				9893-0616-16	Skruv .....	Screw .....		
28	1				1134-0041-03	Hylsa .....	Collar .....		
29	1				9997-1070-12	Skruv .....	Screw .....		
30	1				9739-1031-22	Mutter .....	Nut .....		



Utgåva Issue		Bildnr Picture No		PARK COMPACT 4WD KRAFTUTTAG 2		PARK COMPACT 4WD POWER TAKE-OFF 2		Sida Page	
2007-11		2031A						46	
Pos. Fig.	Antal/Quantity				Art nr Part No	Benämning	Description	Sats Kit	Anmärkning Notes
	6104								
1	1				1134-1730-01 Spännhjulssarm .....	Tension wheel arm .....			
2	1				1134-3663-01 Spännrulle .....	Tension wheel .....			
3	1				1134-1888-05 Distans .....	Spacer .....			
4	1				1134-1893-01 Fjäderfäste .....	Spring attachment .....			
5	1				9739-1031-22 Mutter .....	Nut .....			
6	1				9997-1060-12 Skruv .....	Screw .....			
7	1				9699-0035-02 Planbricka .....	Flat washer .....			
8	1				1134-5713-01 Dragfjäder .....	Spring .....			
9	1				1134-9098-01 Drivrem .....	V-belt .....			= 9585-0148-01
10	1				1134-1769-03 Centrumremskiva kpl. ....	Centre pulley assy .....			
11	1				1134-0051-09 • Distans .....	• Spacer .....			
12	2				9549-0019-00 • Kullager .....	• Ball bearing .....			
13	1				1134-5548-01 Distans .....	Spacer .....			
14	1				9699-0035-02 Planbricka .....	Flat washer .....			
15	1				1134-0222-00 Bricka .....	Washer .....			
16	1				9699-0109-02 Planbricka .....	Flat washer .....			
17	1				1134-5663-01 Axel .....	Shaft .....			
18	1				1134-0052-00 Lagerdistans .....	Bearing spacer .....			
19	1				1134-1769-03 Centrumremskiva kpl. ....	Centre pulley assy .....			
20	1				1134-0051-09 • Distans .....	• Spacer .....			
21	2				9549-0019-00 • Kullager .....	• Ball bearing .....			
22	1				9997-1011-06 Skruv .....	Screw .....			
23	2				9699-0030-02 Planbricka .....	Flat washer .....			
24	1				9739-1031-22 Mutter .....	Nut .....			
25	1				1134-3654-01 Fingerskydd .....	Finger guard .....			
26	2				9959-0612-16 Skruv .....	Screw .....			
27	2				9739-0631-22 Mutter .....	Nut .....			
28	1				1134-5660-01 Spännarm .....	Tension arm .....			
29	1				1134-5823-01 Spännrulle .....	Tension roller .....			
30	1				9997-1050-16 Skruv .....	Screw .....			
31	1				9739-1031-22 Mutter .....	Nut .....			
32	1				1134-6314-01 Spännarmsfäste .....	Attachment .....			
33	1				9997-0645-12 Skruv .....	Screw .....			
34	1				9747-0631-02 Låsmutter .....	Lock nut .....			
35	1				1134-5824-01 Fjäder .....	Spring .....			

X