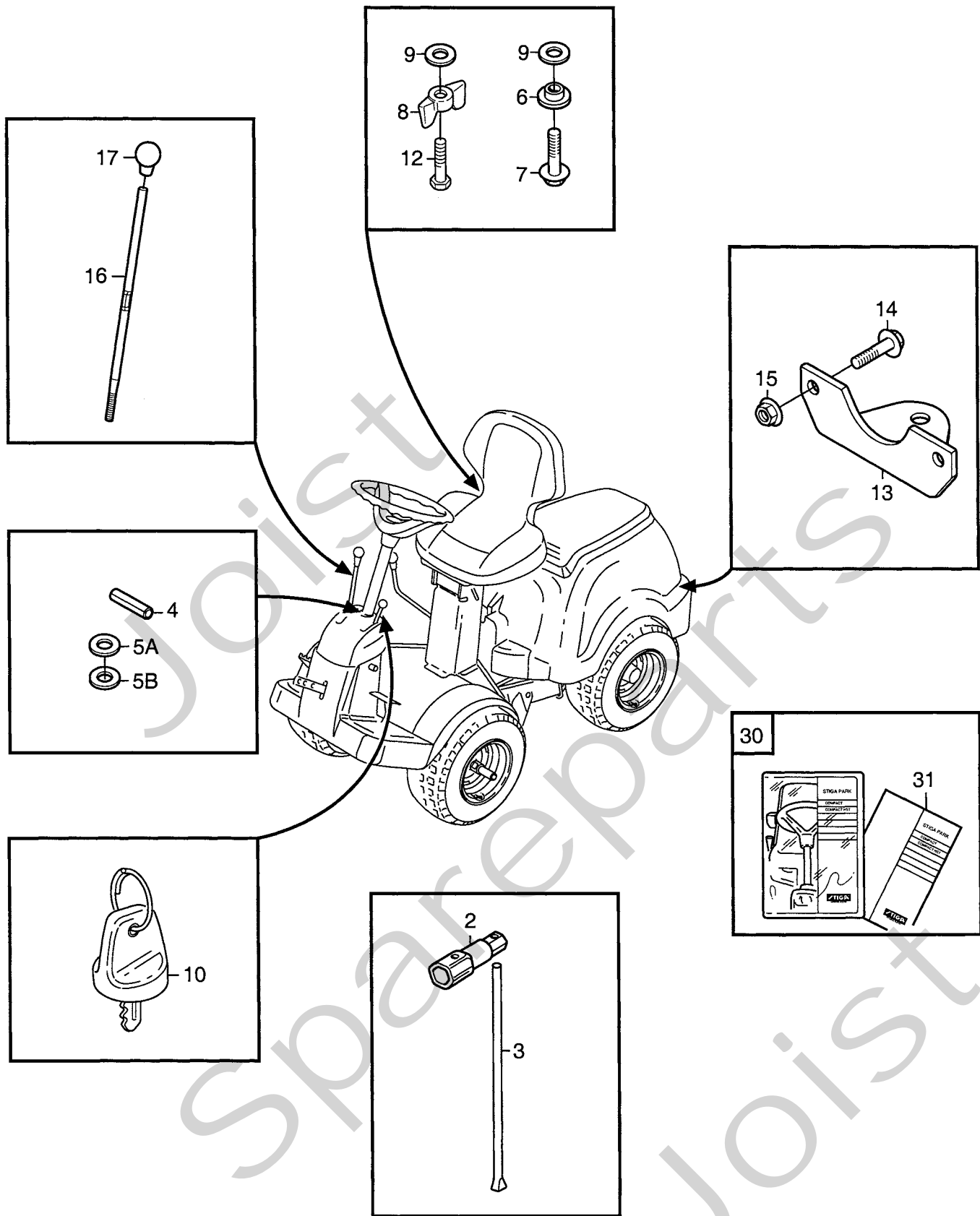


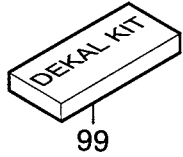
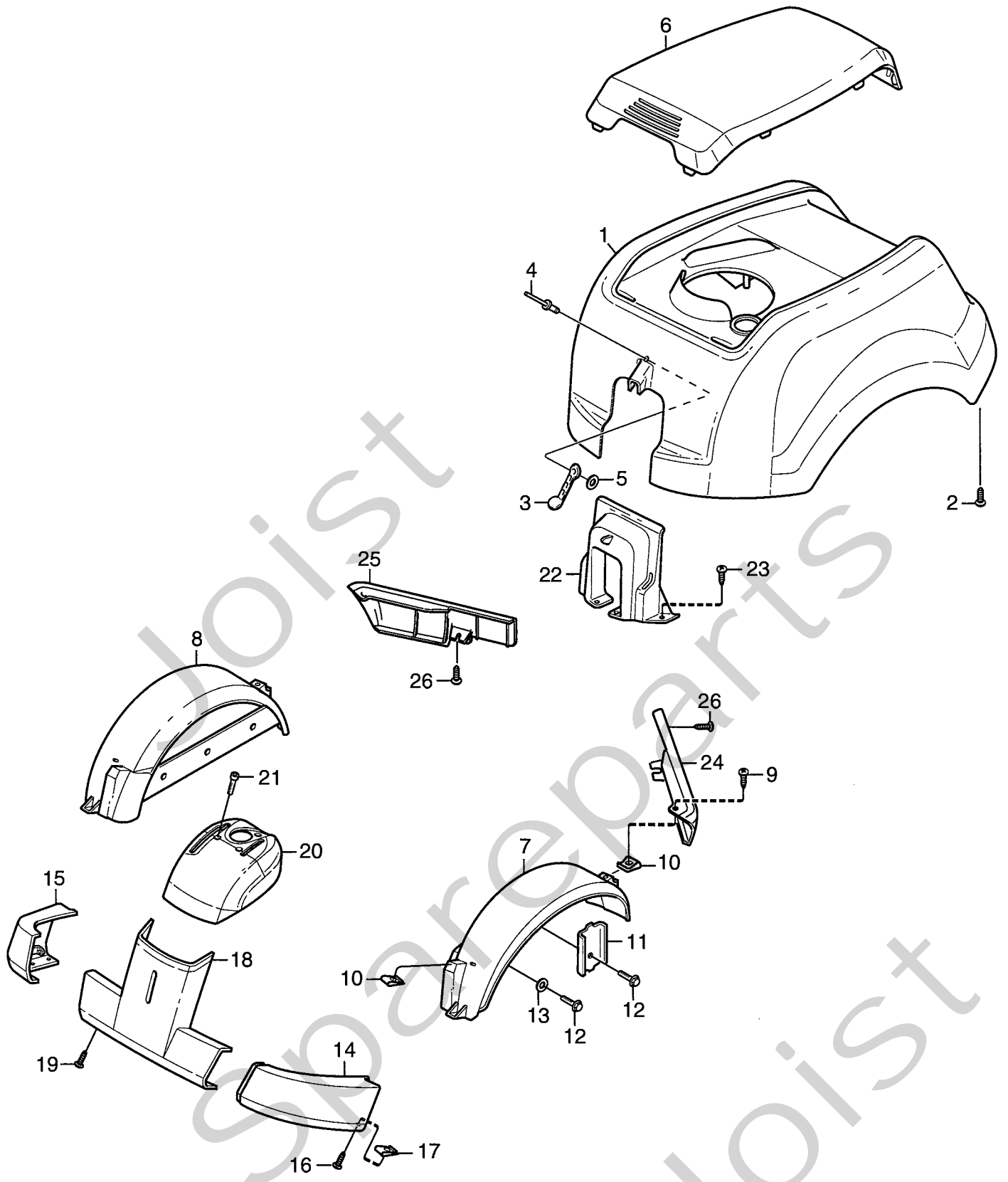
Genuine Spare Parts



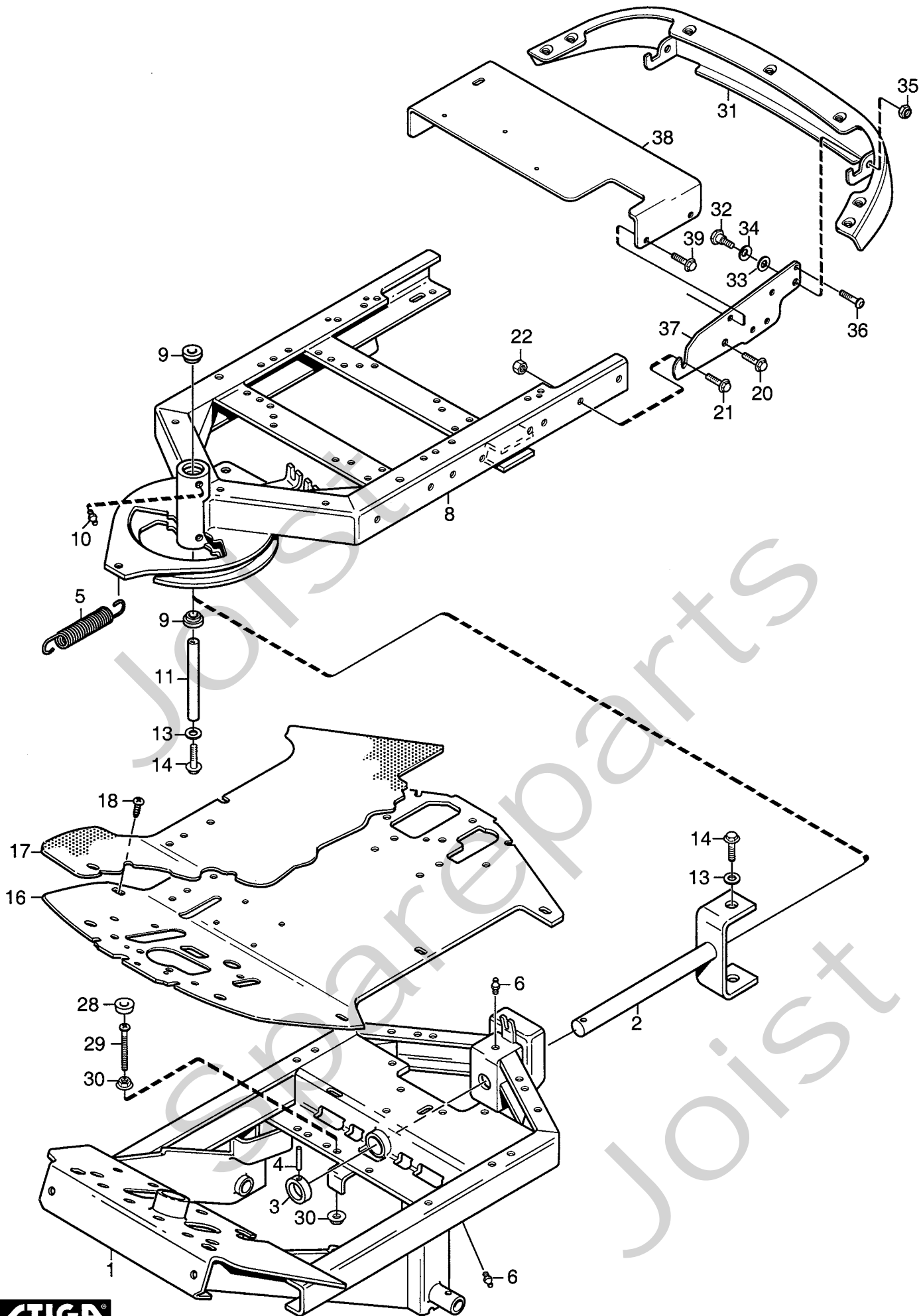
Joist
Spareparts
Joist



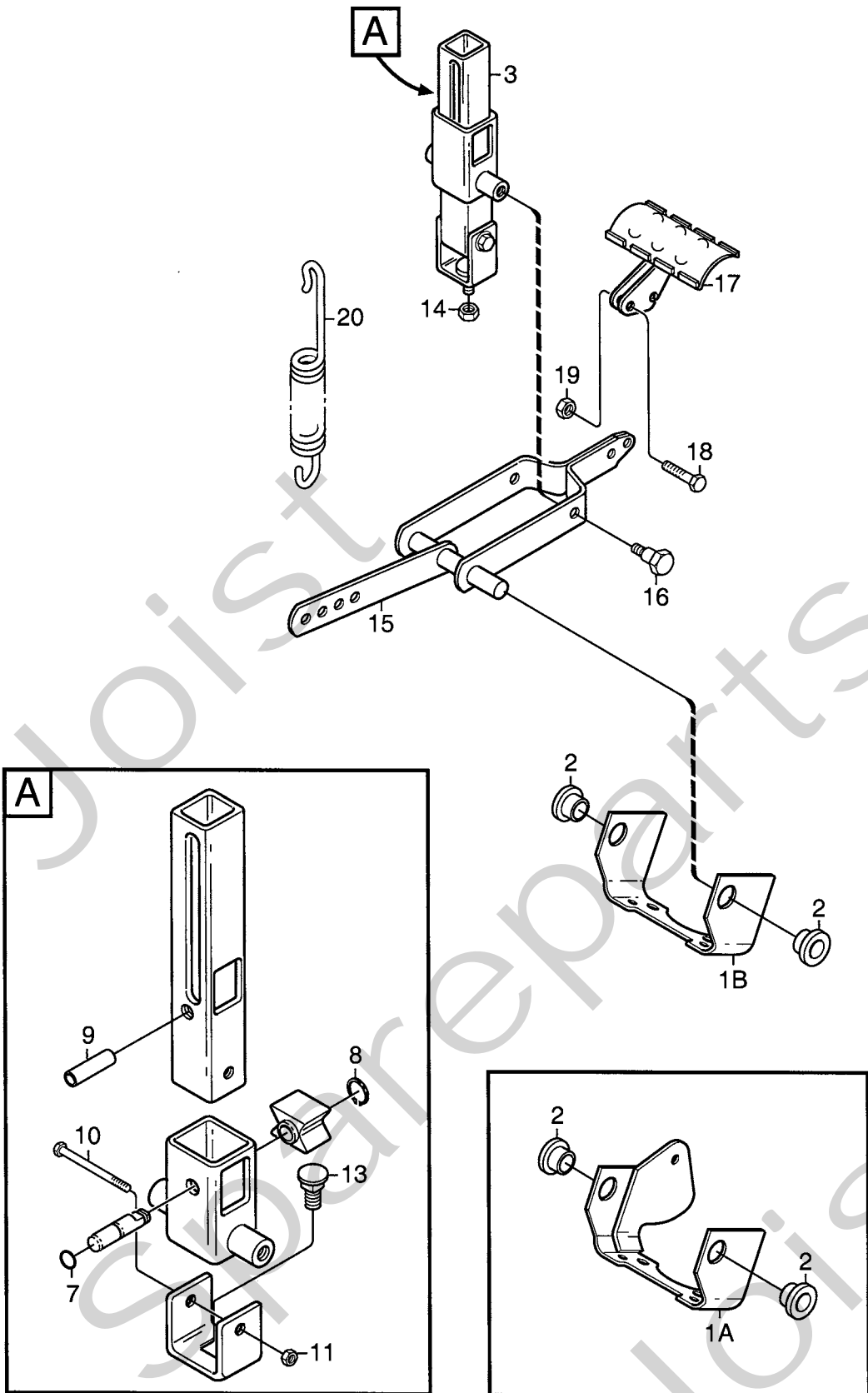
Utgåva Issue		Bildnr Picture No		PARK COMPACT MONTERINGSDETALJER	PARK COMPACT ASSEMBLY PARTS	Sida Page		
2005-11		1638A				2		
Pos. Fig.	Antal/Quantity			Art nr Part No	Benämning	Description	Sats Kit	Anmärkning Notes
	6101	6102 6103						
0		1		1134-4249-05	Monteringsdetaljer.....	Assembly parts		Inkl. pos 1 - 15
0	1			1134-4249-06	Monteringsdetaljer.....	Assembly parts		Inkl. pos 1 - 17
2	1	1		1134-4541-01	• Tändstiftshylsa	• Spark plug wrench		5/8" (16 mm)/21 mm
3	1	1		1111-2113-01	• Vridpinne	• Rod		
4	1	1		9595-0262-00	• Spännstift	• Locating pin		
5A	1	1		9699-0103-02	• Shims	• Flat washer		0.5 mm
5B	1	1		9699-0114-02	• Shims	• Flat washer		1.0 mm
6	2	2		1134-4185-01	• Ansatsbricka	• Flange washer		
7	2	2		9959-0820-16	• Skruv	• Screw		
8	2	2		1134-4481-01	• Vingmutter.....	• Wing nut		
9	4	4		9699-0056-02	• Planbricka.....	• Flat washer		
10	2	2		1134-4734-01	• Tändningsnyckel.....	• Ignition key		
12	2	2		9997-0820-16	• Skruv	• Screw		
13	1	1		1134-5512-01	• Dragplåt.....	• Towing plate		
14	2	2		9959-0820-16	• Skruv	• Screw		
15	2	2		9739-0831-22	• Mutter	• Nut		
16	1			1134-5482-01	• Växelspak	• Gear shift lever		
17	1			1134-2551-01	• Reglageknopp.....	• Knob		
30	1	1		1134-3771-72	Mapp m.trycksaker	Folder w.manuals		
X	31	1	1	8211-0209-12	• Säkerhetsföreskrifter	• Safety regulations		
X	31	1	1	8211-0542-01	• Servicebok.....	• Service book		
X	31	1	1	8211-1024-01	• Monteringsanvisning	• Assembly instructions.....		
X	31	1	1	8211-1031-01	• Bruksanvisning	• Owner's manual		
X	31	1	1	8211-1032-01	• Bruksanvisning.....	• Owner's manual		
	31	1	1	8211-2002-03	• Garantikort.....	• Warranty card		



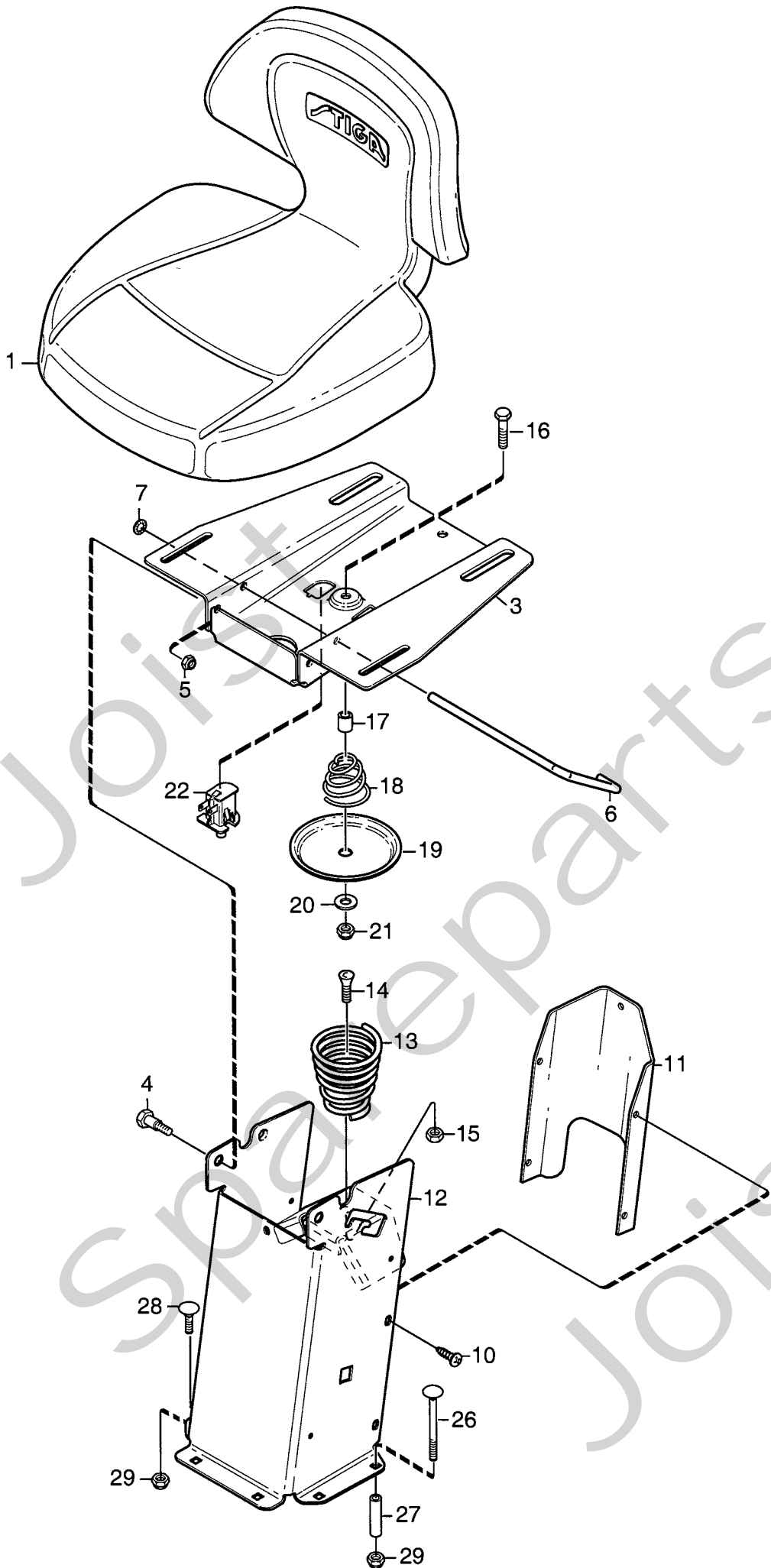
Utgåva Issue		Bildnr Picture No		PARK COMPACT KAROSS		PARK COMPACT BODY WORK		Sida Page	
2005- 11		1658						4	
Pos. Fig.	Antal/Quantity			Art nr Part No	Benämning	Description	Sats Kit	Anmärkning Notes	
	6101	6102 6103							
1	1	1		1134-5263-02	Motorhuv- gul.....	Engine hood-yellow.....			
2	7	7		9838-9530-12	Skruv.....	Screw.....			
3	1	1		1134-9028-01	Gummistropp-sats.....	Rubber strap kit.....		Sats 3 st/kit of 3	
4	1	1		9632-0516-00	Popnit.....	Pop rivet.....			
5	1	1		9699-0120-02	Bricka.....	Washer.....			
6	1	1		1134-5264-01	Motorlucka- grå.....	Engine cover-grey.....			
7	1	1		1134-5308-01	Stänkskärm vä- grå.....	Mud guard LH- grey.....			
8	1	1		1134-5308-02	Stänkskärm hö- grå.....	Mud guard RH- grey.....			
9	4	4		9893-0616-16	Skruv.....	Screw.....			
10	4	4		1134-4176-01	Clips.....	Clips.....			
11	2	2		1134-0225-00	Stödplåt.....	Support plate.....			
12	6	6		9945-0816-16	Skruv.....	Screw.....			
13	4	4		9699-0056-02	Planbricka.....	Flat washer.....			
14	1	1		1134-5306-01	Stötfångare, front- vä.....	Bumper, front- LH.....			
15	1	1		1134-5306-02	Stötfångare, front- hö.....	Bumper, front- RH.....			
16	4	4		9893-0616-16	Skruv.....	Screw.....			
17	2	2		1134-4176-01	Clips.....	Clips.....			
18	1	1		1134-5305-01	Front- nedre.....	Front plate- lower.....			
19	2	2		9893-0616-16	Skruv.....	Screw.....			
20	1			1134-5320-01	Front- övre.....	Front- upper.....			
20		1		1134-5320-02	Front- övre.....	Front- upper.....			
21	2	2		9946-0525-16	Skruv.....	Screw.....			
22	1	1		1134-5265-01	Huvstöd.....	Hood support.....			
23	4	4		9893-0616-16	Skruv.....	Screw.....			
24	1	1		1134-3970-05	Kantlist- vä, grå.....	Moulding- LH, grey.....			
25	1	1		1134-3970-02	Kantlist- hö, grå.....	Moulding- RH, grey.....			
26	2	2		9893-0616-16	Skruv.....	Screw.....			
99	1			1134-5592-01	Dekalsats.....	Label kit.....			
99		1		1134-5592-02	Dekalsats.....	Label kit.....			



Utgåva Issue		Bildnr Picture No		PARK COMPACT RAM		PARK COMPACT FRAME		Sida Page	
2005- 11		1669A						6	
Pos. Fig.	Antal/Quantity			Art nr Part No	Benämning	Description	Sats Kit	Anmärkning Notes	
	6101	6102 6103							
1	1	1		1134-5315-02	Ram- främre	Frame- front			
2	1	1		1134-3963-02	• Midjegaffel.....	• Clevis			
3	1	1		1134-0031-00	• Ledaxelstopp	• Pivot shaft stop			
4	1	1		9595-0262-00	• Spännstift	• Locating pin			
5	1	1		1134-2171-01	Fjäder.....	Spring			
6	2	2		9501-0500-00	Smörjnippel.....	Grease joint.....			
8	1	1		1134-5313-01	Ram- bakre	Frame- rear		- 050227	
X 8	1	1		1134-5870-01	Ram- bakre	Frame- rear.....		050228 -	
9	2	2		9547-0001-00	• Ledlager.....	• Bearing.....			
10	2	2		9501-0500-00	Smörjnippel.....	Grease joint.....			
11	1	1		1134-3968-02	Centrumaxel (188 mm)	Centre shaft (188 mm).....		- 050227	
X 11	1	1		1134-3968-03	Centrumaxel (185 mm)	Centre shaft (185 mm).....		050228 -	
13	2	2		9699-0035-02	Planbricka.....	Flat washer.....			
14	2	2		9959-1020-16	Skruv	Screw			
16	1	1		1134-5294-01	Durk.....	Floor plate			
17	1			1134-5513-01	Durkmatta.....	Floor mat.....			
17		1		1134-5514-01	Durkmatta.....	Floor mat.....			
18	2	2		9893-0616-16	Skruv	Screw			
20	2	2		9945-0816-16	Skruv	Screw			
21	2	2		9959-0820-16	Skruv	Screw			
22	2	2		9739-0831-22	Mutter.....	Nut			
28	1	1		1134-4975-01	Gummibuffert	Rubber block.....			
29	1	1		9950-0570-12	Skruv	Screw			
30	2	2		9739-0531-22	Mutter.....	Nut			
31	1	1		1134-5337-01	Stötfångare- bak	Bumper- rear			
32	2	2		1134-0240-00	Ansätsskruv.....	Shoulder screw			
33	2	2		1134-4242-01	Distansbricka	Spacer washer			
34	2	2		9665-0002-00	Brickfjäder	Bowed washer.....			
35	2	2		9747-0831-02	Mutter.....	Lock nut			
36	2	2		9943-0516-16	Skruv	Screw			
37	2	2		1134-5345-01	Stag	Attachment.....			
38	1	1		1134-5344-01	Batterihylla.....	Battery shelf.....			
39	4	4		9945-0816-16	Skruv	Screw			



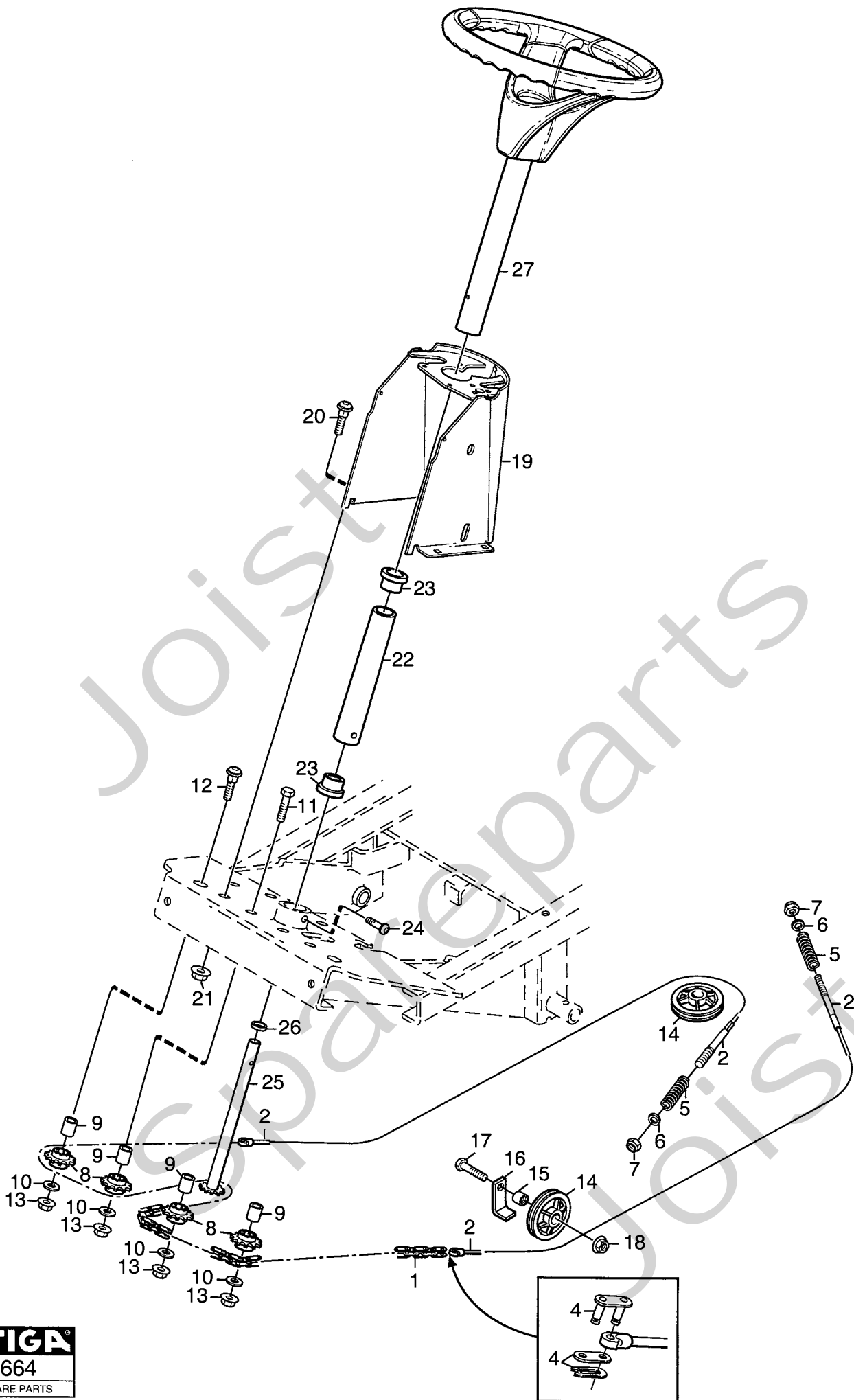
Utgåva Issue		Bildnr Picture No		PARK COMPACT PEDALLYFT	PARK COMPACT PEDAL LIFT	Sida Page		
2005-11		1656				8		
Pos. Fig.	Antal/Quantity			Art nr Part No	Benämning	Description	Sats Kit	Anmärkning Notes
	6101	6102 6103						
1A	1			1134-5462-01	Fäste	Bracket		
1B		1		1134-4117-01	Fäste	Bracket		
2	2	2		1134-2684-01	Lager	Bearing		
3	1	1		1134-4945-01	Lyftspärr kpl	Lift catch assy		
7	1	1		9404-0027-01	• O-ring	• O-ring		
8	1	1		9650-0039-04	• Seegersäkring	• Lock ring		
9	1	1		9595-0276-01	• Spännstift	• Locating pin		
10	1	1		9997-0640-12	• Skruv	• Screw		
11	1	1		9747-0631-02	• Låsmutter	• Lock nut		
13	1	1		9897-0820-16	• Skruv	• Screw		
14	1	1		9747-0831-02	Mutter	Lock nut		
15	1	1		1134-4860-01	Lyftgaffel	Lift fork		
16	2	2		1134-0240-00	Ansatsskruv	Shoulder screw		
17	1	1		1134-4938-01	Lyftpedal	Lift pedal		
18	2	2		9997-0625-16	Skruv	Screw		
19	2	2		9739-0631-22	Mutter	Nut		
20	1	1		4231-0013-00	Fjäder	Spring		

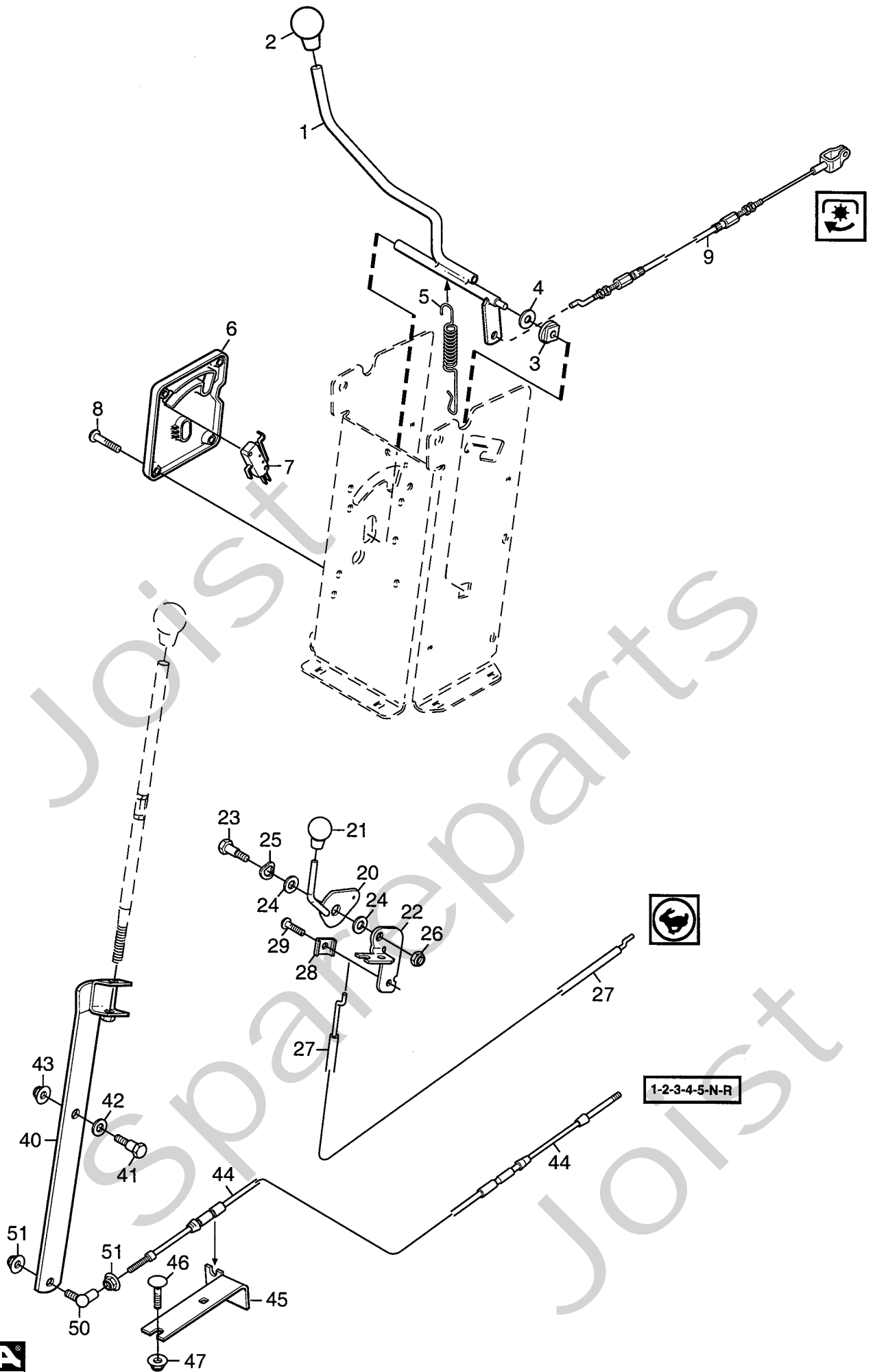


Utgåva Issue		Bildnr Picture No		PARK COMPACT SITS		PARK COMPACT SEAT		Sida Page	
2005-11		1657						10	
Pos. Fig.	Antal/Quantity				Art nr Part No	Benämning	Description	Sats Kit	Anmärkning Notes
	6101	6102	6103						
1	1				1134-5506-01	Sits	Seat		
3	1				1134-5301-01	Sitsplatta	Seat plate		
4	2				1134-0240-00	Ansattsskruv	Shoulder screw		
5	2				9747-0831-02	Mutter	Lock nut		
6	1				1134-5454-01	Spärr	Catch		
7	1				9675-0012-02	Starlock	Locking washer		
10	4				9893-0616-16	Skruv	Screw		
11	1				1134-5300-01	Bakstycke	Rear plate		
12	1				1134-5296-04	Sitskonsol- gul	Seat bracket- yellow		
13	1				1134-4256-01	Sitsfjäder	Seat spring		
14	1				9924-1230-19	Skruv	Screw		
15	1				9747-1231-02	Låsmutter	Lock nut		
16	1				9997-0840-16	Skruv	Screw		
17	1				1134-1565-06	Distans	Spacer		
18	1				1134-5302-01	Fjäder	Spring		
19	1				1134-5299-01	Tryckplatta	Push plate		
20	1				9699-0090-02	Planbricka	Flat washer		
21	1				9747-0831-02	Mutter	Lock nut		
22	1				1134-3156-02	Brytare	Switch		
26	2				9897-0880-12	Skruv	Screw		L = 80 mm
27	2				1134-1565-08	Distans	Spacer		
28	4				9897-0820-16	Skruv	Screw		L = 20 mm
29	6				9747-0831-02	Mutter	Lock nut		

X

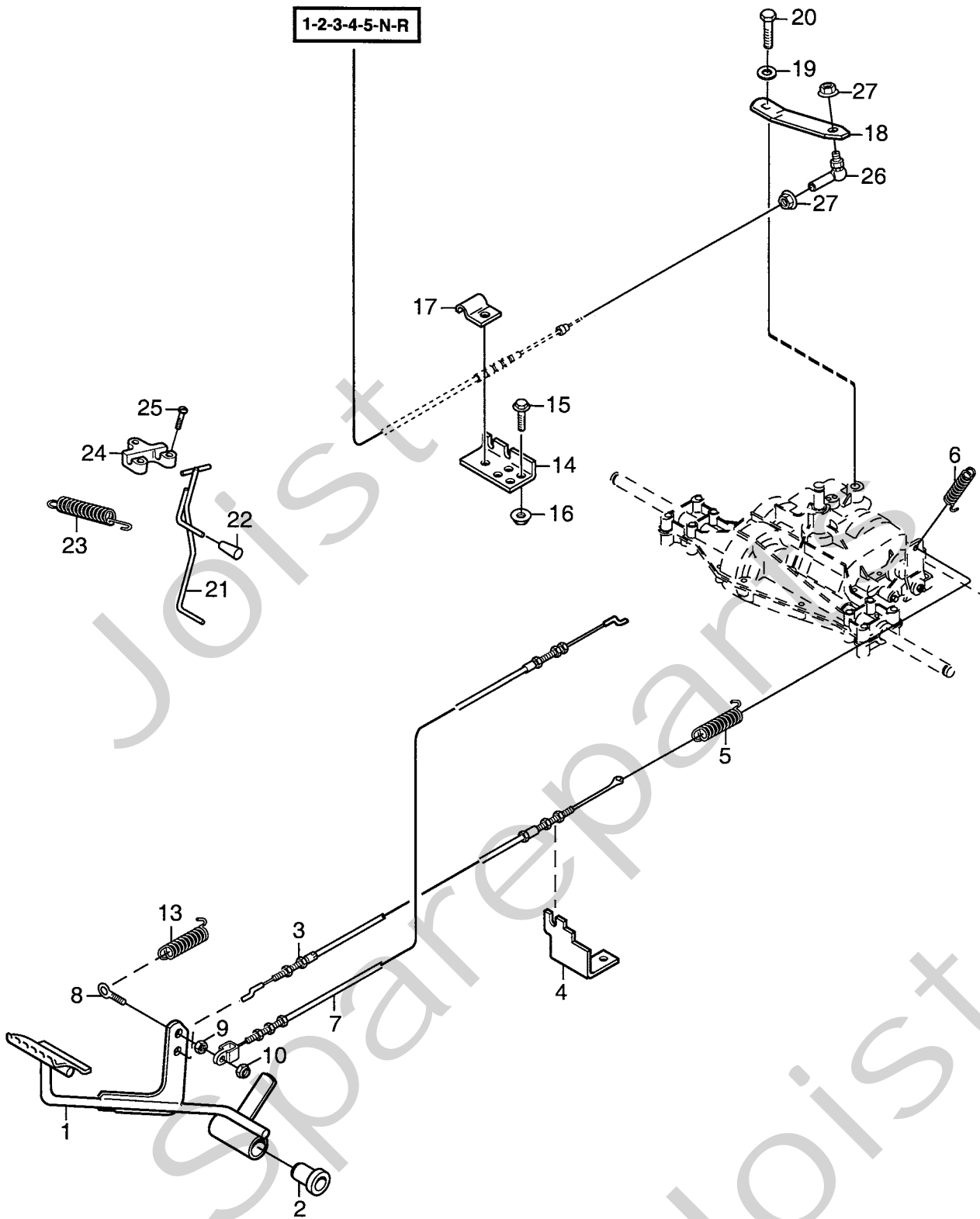
Joist Spareparts





Utgåva Issue		Bildnr Picture No		PARK COMPACT HANDREGLAGE		PARK COMPACT HAND CONTROLS		Sida Page	
2005-11		1670						14	
Pos. Fig.	Antal/Quantity			Art nr Part No	Benämning	Description	Sats Kit	Anmärkning Notes	
	6101	6102 6103							
1	1	1		1134-5363-01	Aggregatspak.....	Control lever			
2	1	1		1134-2551-01	Reglageknopp.....	Knob			
3	1	1		1134-3790-02	Lager	Bearing.....			
4	1	1		9699-0090-02	Planbricka.....	Flat washer			
5	1	1		4231-0013-00	Fjäder.....	Spring			
6	1	1		1134-5368-01	Panel	Dashboard			
7	1	1		9400-0312-01	Mikrobrytare.....	Micro switch			
8	4	4		9946-0525-16	Skruv	Screw			
9	1	1		1134-3573-05	Reglagewire.....	Control cable.....			
20	1	1		1134-5465-01	Gasreglage.....	Throttle lever.....			
21	1	1		1134-4078-01	Knopp.....	Knob			
22	1	1		1134-5464-01	Fäste.....	Bracket			
23	1	1		1134-0240-00	Ansatsskruv.....	Shoulder screw			
24	2	2		1134-4242-01	Distansbricka.....	Spacer washer			
25	1	1		9694-0001-00	Fjäderbricka	Washer.....			
26	1	1		9747-0831-02	Mutter.....	Lock nut.....			
27	1	1		1134-4197-02	Gaswire	Throttle cable			
28	1	1		9500-9991-00	Wireklämma	Cable clamp			
29	1	1		9943-0516-16	Skruv	Screw			
40	1			1134-5459-01	Växelarm	Gear shift arm			
41	1			1134-0240-00	Ansatsskruv.....	Shoulder screw			
42	1			9696-0013-01	Kupad bricka.....	Bowed washer			
43	1			9739-0831-22	Mutter.....	Nut			
44	1			1134-2766-07	Reglagewire.....	Control cable.....			
45	1			1134-5518-01	Vinkelarm	Angle bracket			
46	2			9897-0616-16	Vagnsbult	Carriage bolt			
47	2			9739-0631-22	Mutter.....	Nut			
50	1			9570-0001-00	Vinkellänk.....	Elbow link			
51	2			9739-0531-22	Mutter.....	Nut			

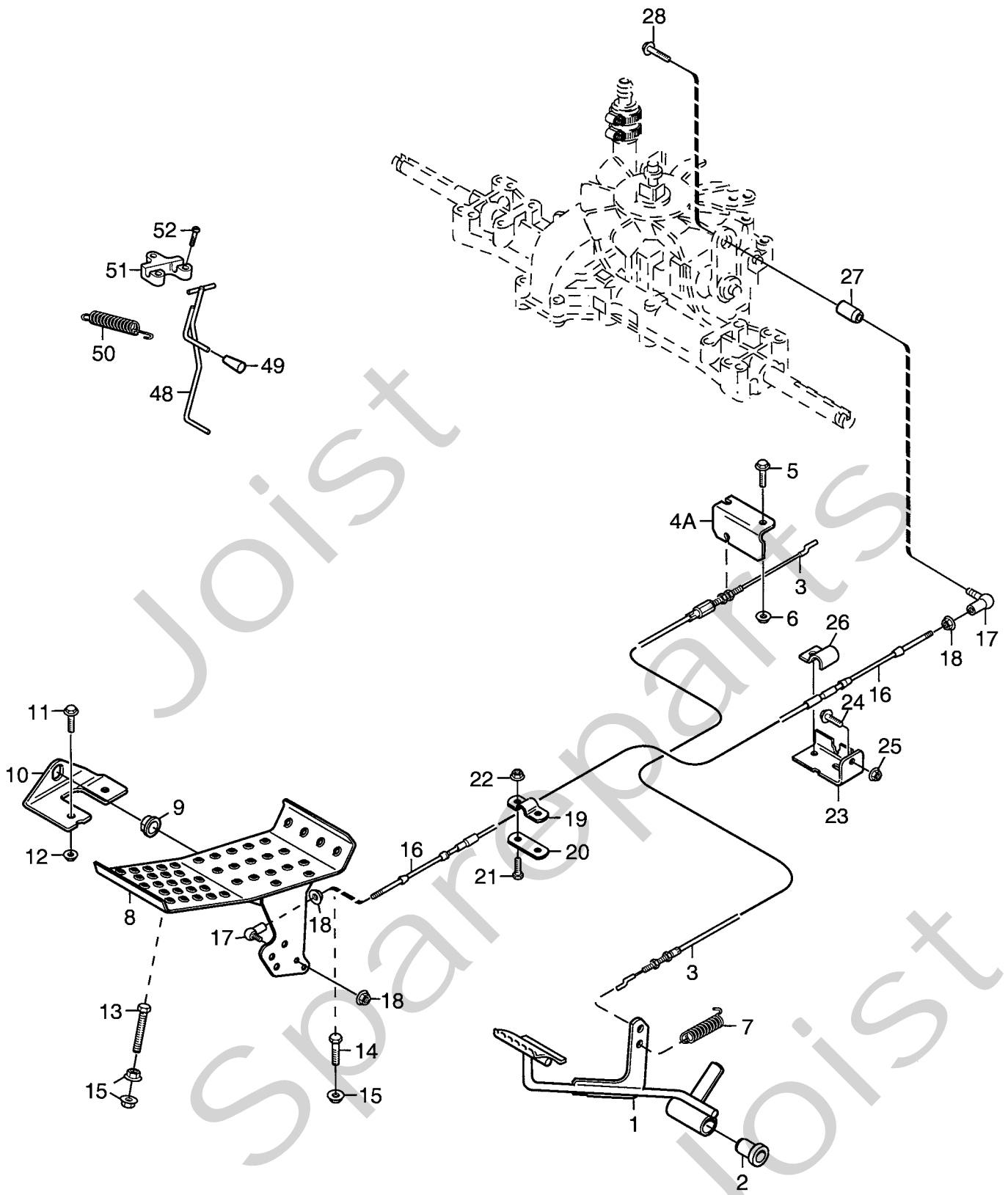
1-2-3-4-5-N-R



Utgåva Issue		Bildnr Picture No		PARK COMPACT FOTREGLAGE		PARK COMPACT FOOT CONTROLS		Sida Page	
2005-11		1665						16	
Pos. Fig.	Antal/Quantity			Art nr Part No	Benämning	Description	Sats Kit	Anmärkning Notes	
	6101								
1	1			1134-4247-01	Broms/kopplingspedal.....	Brake/clutch pedal.....			
2	1			1134-9024-01	• Lager	• Bearing.....		Sats 4 st/kit of 4	
3	1			1134-3410-02	Bromswire	Brake cable			
4	1			1134-3403-01	Wirefäste	Wire holder			
5	1			1134-3280-01	Fjäder.....	Spring			
6	1			1134-3974-02	Fjäder.....	Spring			
7	1			1134-4058-01	Wire.....	Cable			
8	1			1134-2991-01	Skruvögla	Eye bolt			
9	1			9739-0531-22	Mutter.....	Nut			
10	1			9747-0531-02	Mutter.....	Nut			
13	1			1134-3974-01	Fjäder.....	Spring			
14	1			1134-3400-01	Vinkelarm	Angle plate			
15	2			9959-0816-16	Skruv	Screw			
16	2			9739-0831-22	Mutter.....	Nut			
17	1			1134-2021-01	Växelwirefäste	Clamp.....			
18	1			1134-4048-02	Växelarm	Gear shifter arm			
19	1			9699-0060-02	Planbricka.....	Flat washer			
20	1			9987-5016-16	Skruv	Screw			
21	1			1134-5353-01	Bromsstång	Brake rod			
22	1			1134-2786-01	Plastknopp.....	Plastic knob			
23	1			1131-1497-01	Fjäder.....	Spring			
24	1			1134-4002-01	Fäste.....	Brake rod attachment.....			
25	3			9838-9516-12	Skruv	Screw			
26	1			9570-0001-00	Vinkellänk.....	Elbow link			
27	2			9739-0531-22	Mutter.....	Nut			

X

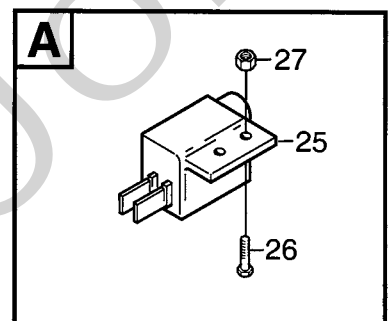
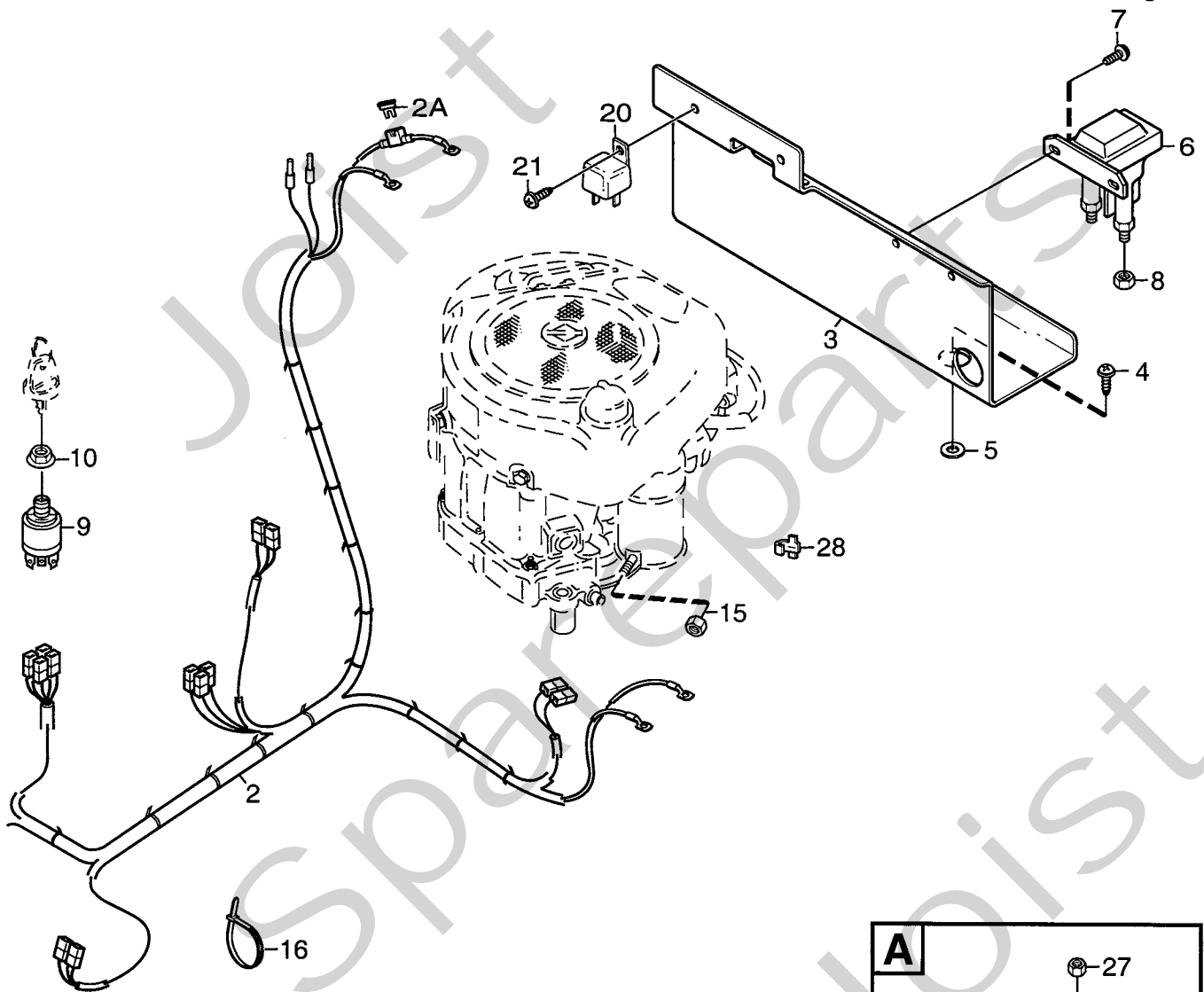
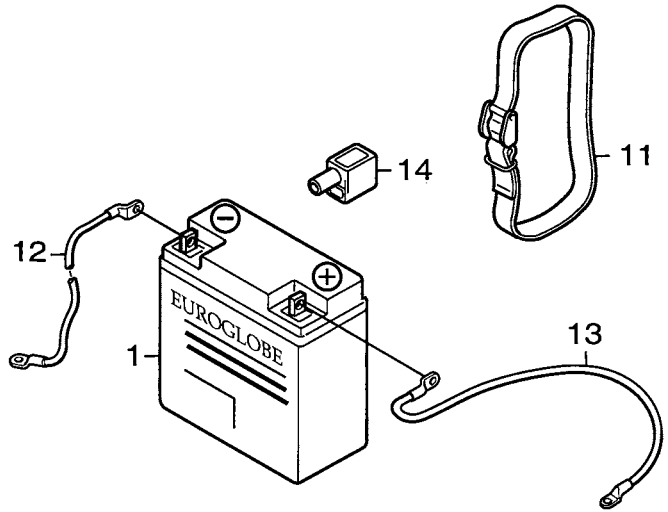
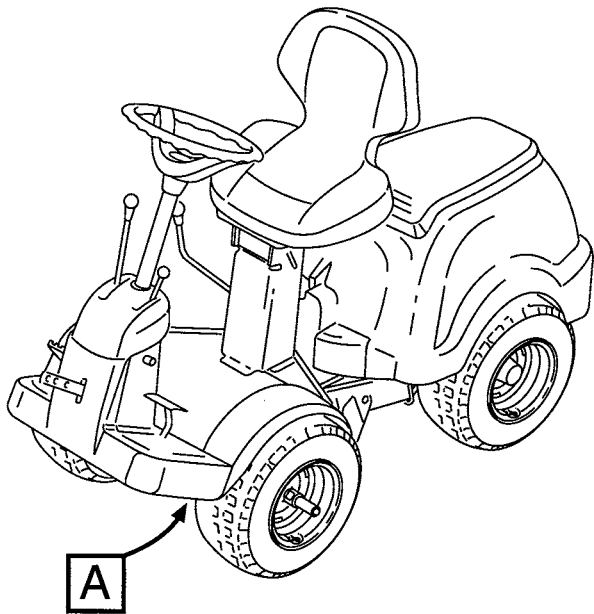
Spareparts Joist



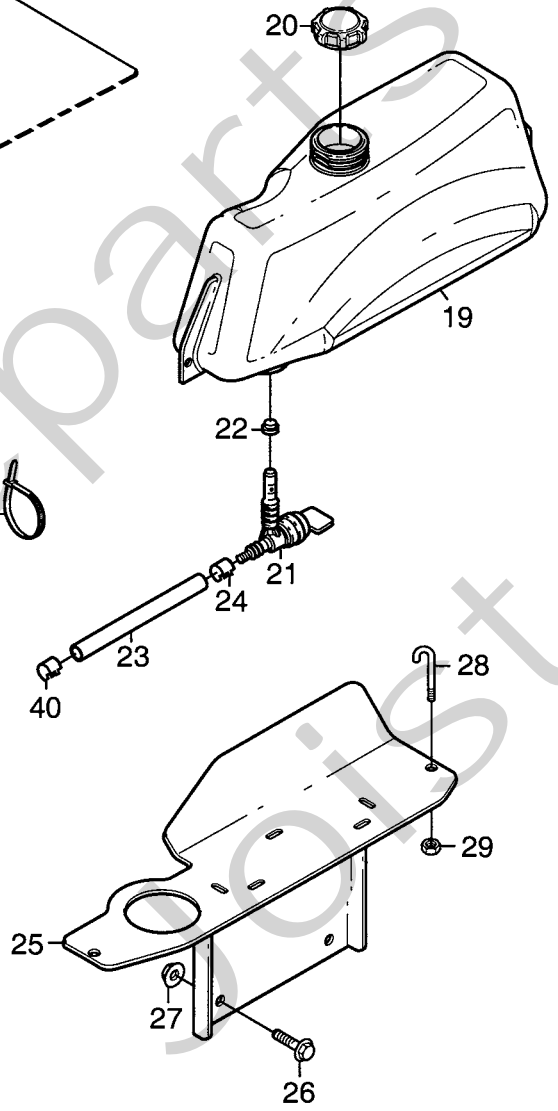
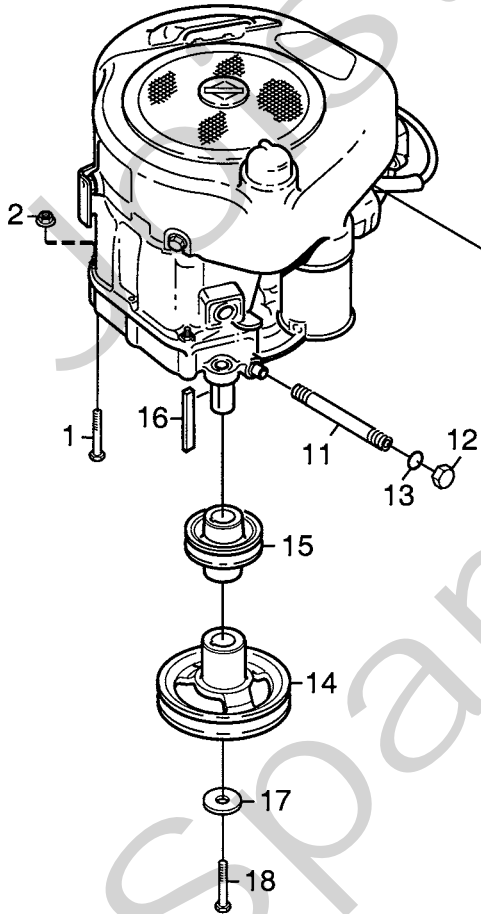
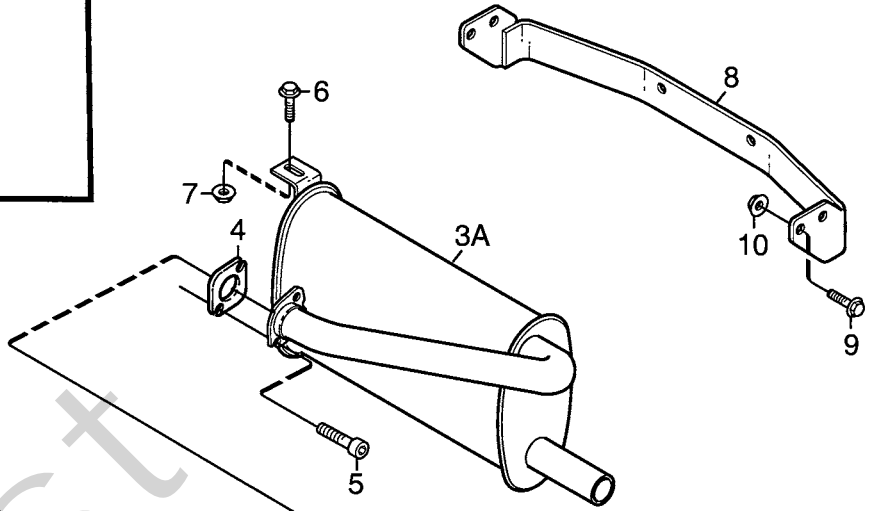
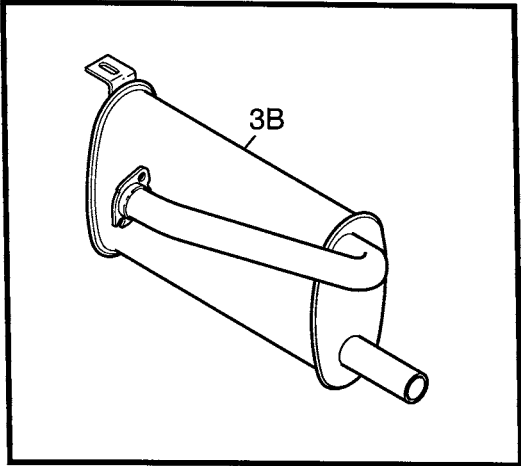
Utgåva Issue 2005-11		Bildnr Picture No 1666		PARK COMPACT HST FOTREGLAGE		PARK COMPACT HST FOOT CONTROLS		Sida Page 18	
Pos. Fig.	Antal/Quantity			Art nr Part No	Benämning	Description	Sats Kit	Anmärkning Notes	
	6102	6103							
1	1			1134-4247-01	Broms/kopplingspedal.....	Brake/clutch pedal.....		Sats 4 st/kit of 4	
2	1			1134-9024-01	• Lager	• Bearing.....			
3	1			1134-3584-03	Broms/kopplingswire.....	Brake/clutch cable.....			
4 A	1			1134-3906-01	Wirefäste	Cable holder			
5	2			9959-0816-16	Skruv	Screw			
6	2			9739-0831-22	Mutter.....	Nut			
7	1			1134-3974-01	Fjäder.....	Spring			
8	1			1134-4008-03	Drivpedal	Drive pedal			
9	2			1134-2780-01	Lager	Bearing.....			
10	2			1134-2700-01	Fäste	Bracket.....			
11	2			9959-0820-16	Skruv	Screw			
12	2			9739-0831-22	Mutter.....	Nut			
13	1			9997-0870-16	Skruv	Screw			
14	1			9959-0816-16	Skruv	Screw			
15	3			9739-0831-22	Mutter.....	Nut			
16	1			1134-2766-05	Reglagewire.....	Speed control cable			
17	2			9570-0001-00	Vinkellänk.....	Elbow link			
18	3			9739-0531-22	Mutter.....	Nut			
19	1			1134-0266-00	Fästbygel	Attaching clamp			
20	1			1134-0267-00	Underläggsbleck.....	Clamp plate			
21	2			9997-0520-16	Skruv	Screw			
22	2			9739-0531-22	Mutter.....	Nut			
23	1			1134-3395-01	Fäste	Attachment.....			
24	2			9959-0820-16	Skruv	Screw			
25	2			9739-0831-22	Mutter.....	Nut			
26	1			1134-2021-01	Växelwirefäste	Clamp			
27	1			1134-4013-01	Distans	Spacer			
28	1			9959-0820-16	Skruv	Screw			
48	1			1134-5353-01	Bromsstång.....	Brake rod			
49	1			1134-2786-01	Plastknopp.....	Plastic knob			
50	1			1131-1497-01	Fjäder.....	Spring			
51	1			1134-4002-01	Fäste	Brake rod attachment.....			
52	3			9838-9516-12	Skruv	Screw			

X

SpareParts Joist

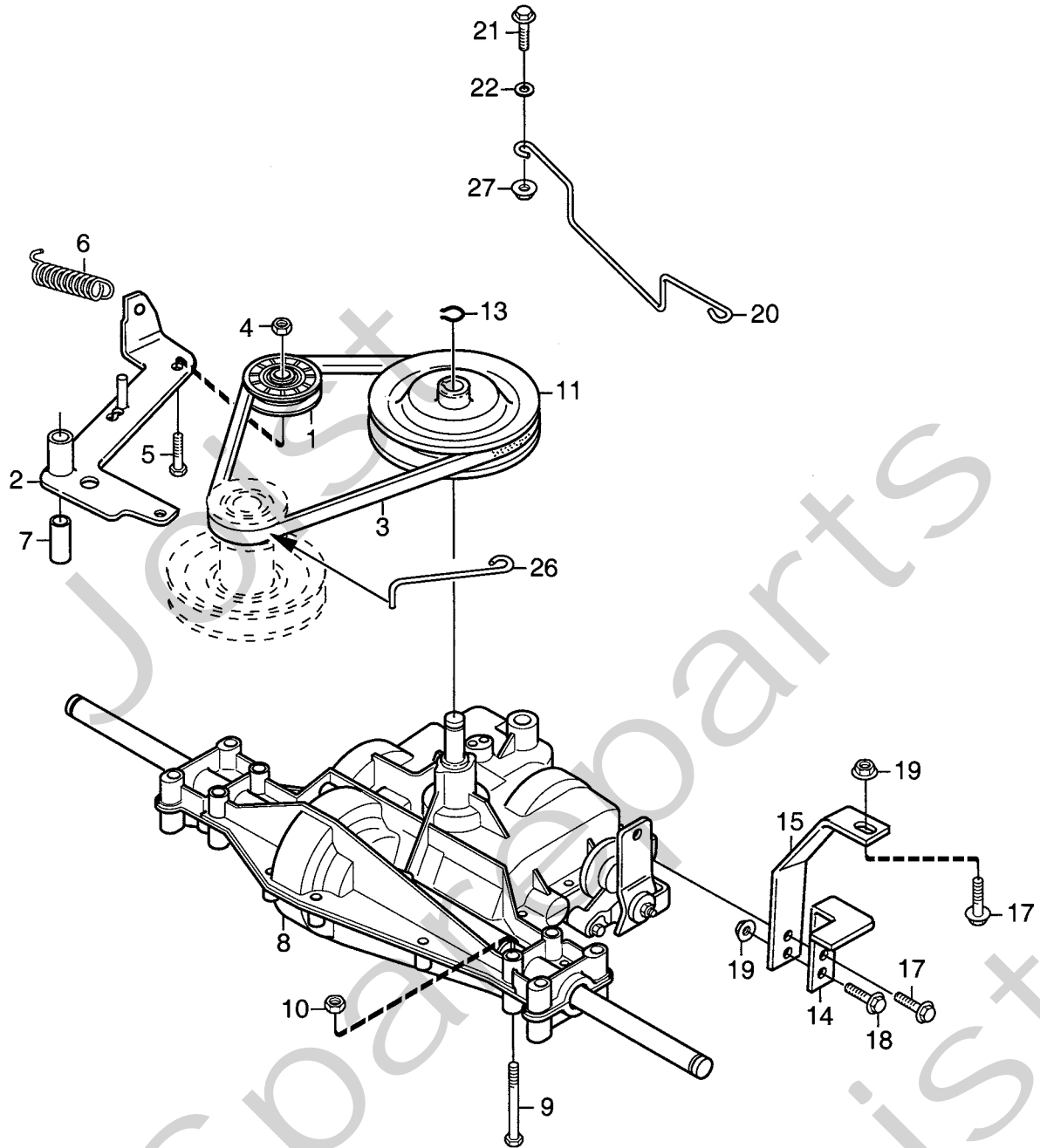


Utgåva Issue		Bildnr Picture No		PARK COMPACT ELUTRUSTNING		PARK COMPACT EL. EQUIPMENT		Sida Page	
2005- 11		1671						20	
Pos. Fig.	Antal/Quantity			Art nr Part No	Benämning	Description	Sats Kit	Anmärkning Notes	
	6101	6102 6103							
X X	1	1	1	1134-4804-01	Batteri.....	Battery			
	2	1		1134-5768-01	Kablage.....	Harness.....			
	2	1	1	1134-5769-01	Kablage.....	Harness.....			
	2A	1	1	1134-3496-06	• Säkring	• Fuse		20A	
	3	1	1	1134-5343-01	Batterikonsole.....	Battery bracket.....			
	4	3	3	9852-8013-16	Skruv.....	Screw.....			
	5	2	2	9699-0060-02	Planbricka.....	Flat washer.....			
	6	1	1	1134-2962-01	Solenoid kpl	Solenoid assy.....			
	7	2	2	9852-8013-16	Skruv.....	Screw.....			
	8	2	2	9794-5131-02	• Mutter.....	• Nut.....			
	9	1	1	1134-4093-01	Tändningslås	Ignition switch			
	10	1	1	1134-4749-01	Mutter.....	Nut.....			
	11	1	1	1134-5245-01	Batterirem.....	Battery strap			
	12	1	1	1134-2167-01	Kabel	Cable			
	13	1	1	1134-0234-02	Batterikabel (+).....	Battery cable (+).....			
	14	1	1	1134-2310-01	Batteriskydd.....	Guard cap			
	15	1	1	9795-3531-02	Mutter.....	Nut.....			
	16	15	15	9579-0003-00	Buntband.....	Cable holder.....			
	20	1		1134-2871-03	Relä	Relay			
	21	1		9852-8013-16	Skruv.....	Screw.....			
	25		1	1134-3399-02	Brytare.....	Switch.....			
	26		2	9997-0520-16	Skruv.....	Screw.....			
	27		2	9747-0531-02	Mutter.....	Nut.....			
	28		1	9400-0231-00	Kabelskarv.....	Splicer.....			



Utgåva Issue		Bildnr Picture No		PARK COMPACT MOTOR		PARK COMPACT ENGINE		Sida Page
2005-11		1672A						22
Pos. Fig.	Antal/Quantity			Art nr Part No	Benämning	Description	Sats Kit	Anmärkning Notes
	6101	6102	6103					
1	3	4	4	9997-0840-16	Skruv	Screw		L = 40 mm
1	1			9997-0875-12	Skruv	Screw		L = 75 mm
2	4	4	4	9739-0831-22	Mutter	Nut		
3A	1	1		1134-5370-01	Ljuddämpare	Muffler		
3B			1	1134-5369-01	Ljuddämpare	Muffler		
4	1	1	1	1134-0433-00	Ljuddämparpackning	Muffler gasket		
5	2	2	2	1134-4930-01	Skruv	Screw		
6	1	1	1	9959-0820-16	Skruv	Screw		
7	1	1	1	9739-0831-22	Mutter	Nut		
8	1	1	1	1134-5390-01	Dragkroksbalk	Tow bar bracket		
9	4	4	4	9959-0820-16	Skruv	Screw		
10	4	4	4	9739-0831-22	Mutter	Nut		
11	1	1	1	1134-4978-01	Oljeavtappn.rör kpl	Oil drain pipe assy		
12	1	1	1	1134-4976-01	• Plugg	• Plug		
13	1	1	1	1134-4977-01	• Kopparbricka	• Copper washer		
14	1	1	1	1134-4999-01	Motorremskiva	Engine pulley		
15	1	1	1	1134-5000-01	Motorremskiva	Engine pulley		
16	1	1	1	9600-0251-01	Kil	Key		L = 2 1/2"
17	1	1	1	1134-5017-01	Bricka	Washer		
18	1	1	1	9987-5332-16	Skruv	Screw		
19	1	1	1	1134-4757-06	Bränsletank kpl	Fuel tank assy		Inkl. pos 20 - 24
20	1	1	1	1134-5532-01	• Tanklock	• Fuel tank cap		
21	1	1	1	1134-3224-01	• Bensinkran	• Fuel shut-off valve		
22	1	1	1	1134-3225-01	• Gummibussning	• Grommet		
23	1	1	1	1134-2975-01	• Bensinslang	• Fuel hose		L = 520 mm
24	1	1	1	9578-0023-02	• Slangklämma	• Hose clamp		
25	1	1	1	1134-5340-01	Tankkonsol	Fuel tank bracket		
26	2	2	2	9959-0820-16	Skruv	Screw		
27	2	2	2	9739-0831-22	Mutter	Nut		
28	2	2	2	1134-5346-01	Tankbygel	Fuel tank loop		
29	2	2	2	9747-0631-02	Låsmutter	Lock nut		
30	1	1	1	9579-0003-00	Buntband	Cable holder		
40	1	1	1	9578-0023-02	Slangklämma	Hose clamp		

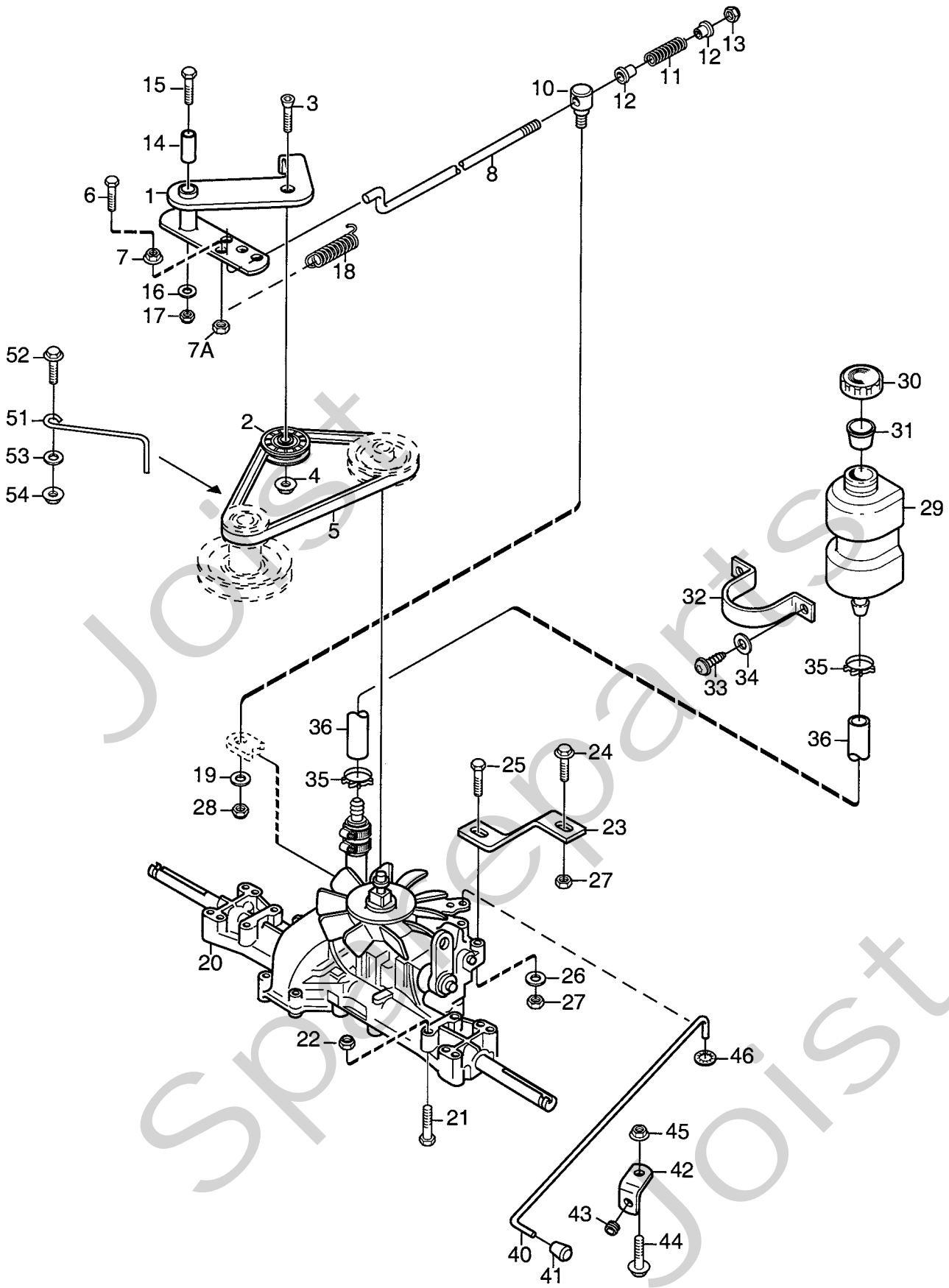
X



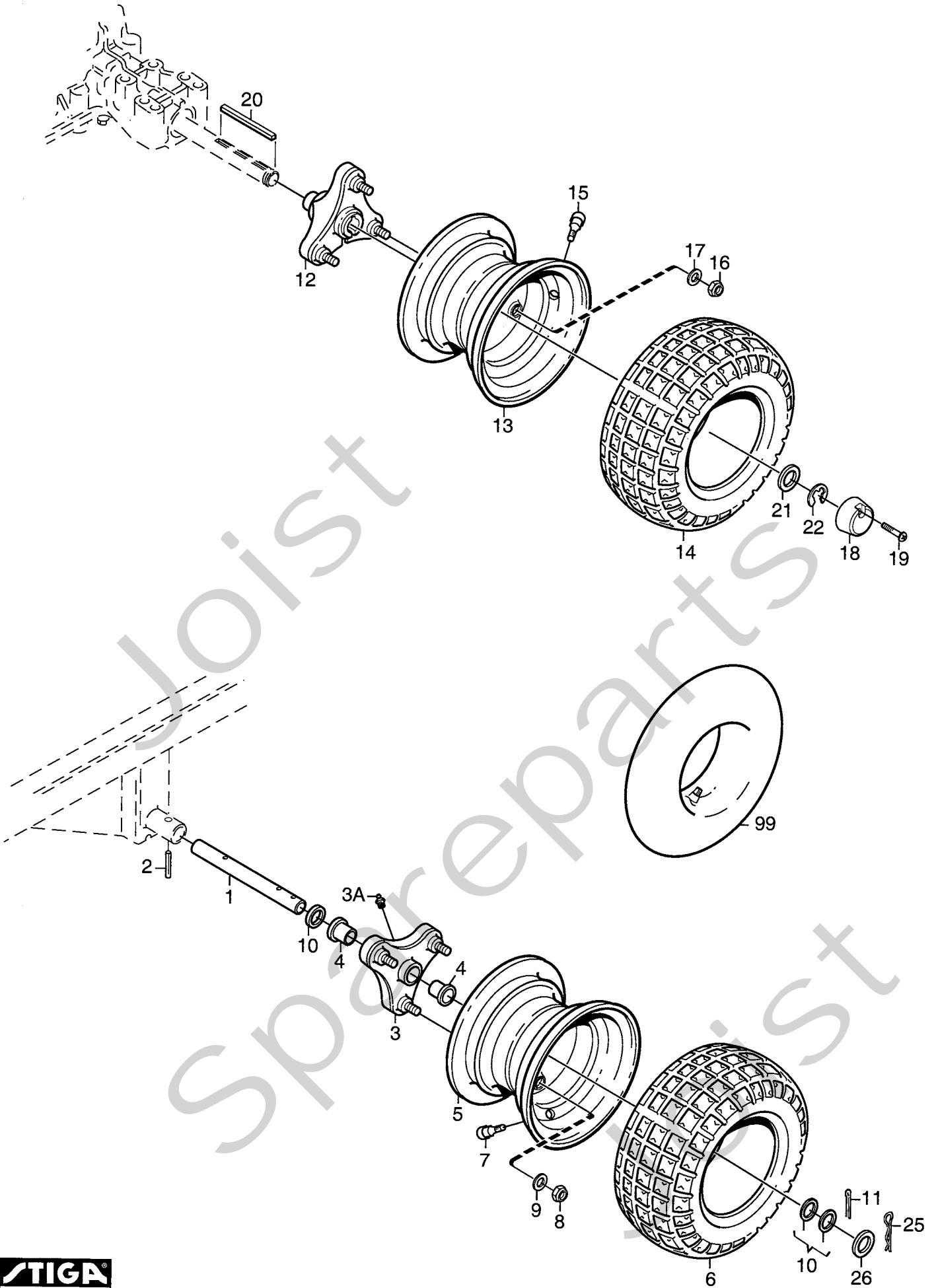
Utgåva Issue		Bildnr Picture No		PARK COMPACT TRANSMISSION	PARK COMPACT TRANSMISSION	Sida Page		
2005-11		1667				24		
Pos. Fig.	Antal/Quantity			Art nr Part No	Benämning	Description	Sats Kit	Anmärkning Notes
	6101							
1	1			1134-9027-01	Spännrulle	Tension roller		
2	1			1134-2015-04	Spännarm	Tension arm		
3	1			1134-9013-01	Drivrem	V-belt		= 9585-0057-00
4	1			9799-1031-02	Mutter	Nut		
5	1			9997-1030-16	Skruv	Screw		
6	1			1134-4337-01	Dragfjäder	Spring		
7	1			1134-1565-01	Distans	Spacer		
8	1			1134-5282-01	Transaxel kpl	Transaxle assy		Dana 4360-198
9	3			9997-0865-12	Skruv	Screw		L = 65 mm
9	1			9997-0870-16	Skruv	Screw		L = 70 mm
10	4			9747-0831-02	Mutter	Lock nut		
11	1			1134-3182-01	Remskiva	Belt pulley		
13	1			9650-0016-04	Spärring	Lock ring		
14	1			1134-2045-02	Bromsstopp	Brake stop		
15	1			1134-2986-01	Konsol	Bracket		
17	2			9942-0820-16	Skruv	Screw		
18	1			9959-0816-16	Skruv	Screw		
19	2			9739-0831-22	Mutter	Nut		
20	1			1134-5529-01	Remstyrning	Belt guide		
21	2			9959-0820-16	Skruv	Screw		
22	2			9699-0056-02	Planbricka	Flat washer		
26	1			1134-3289-02	Remstyrning	Belt guide		
27	2			9739-0831-22	Mutter	Nut		

X

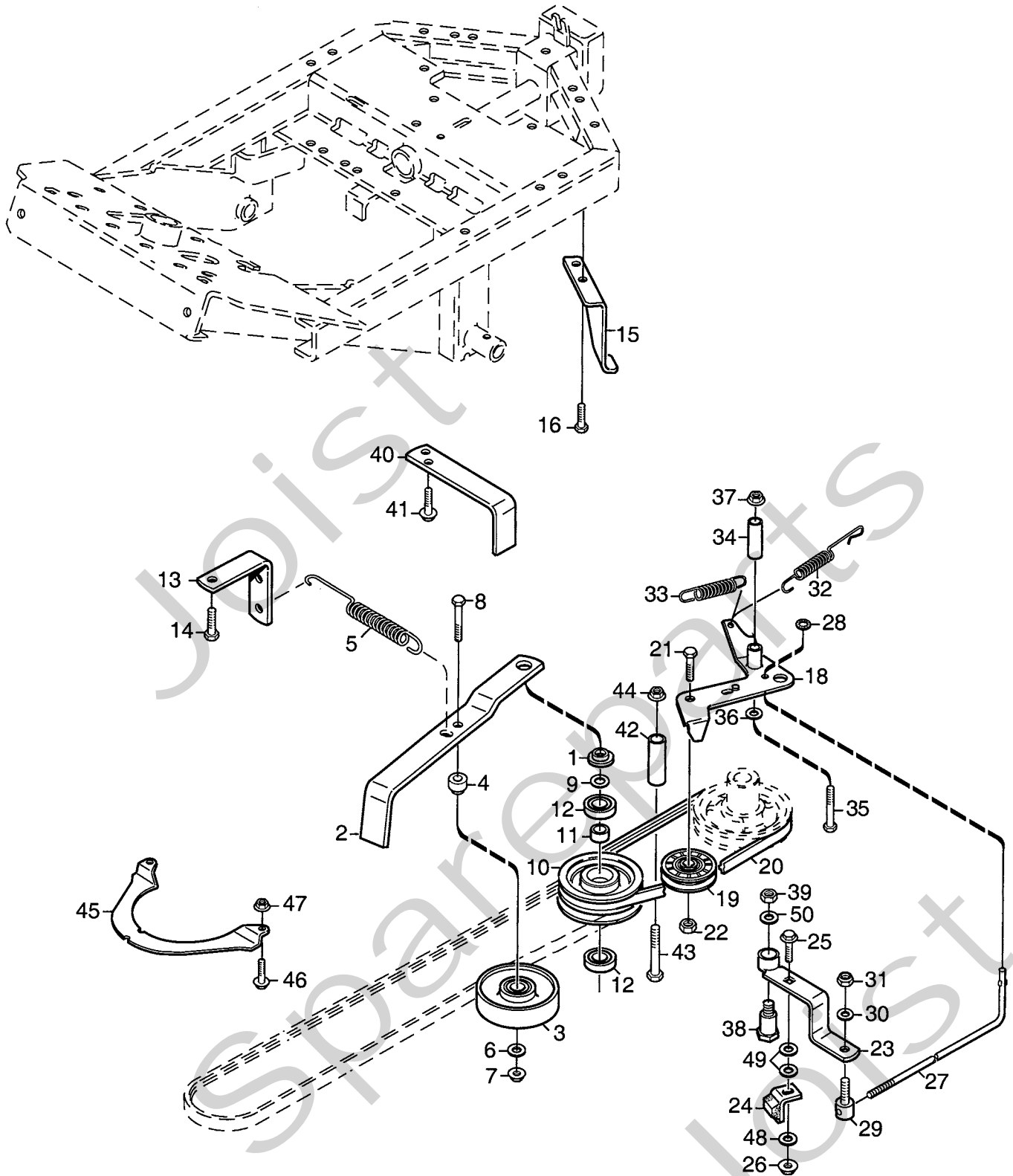
Joist Spareparts



Utgåva Issue		Bildnr Picture No		PARK COMPACT HST TRANSMISSION		PARK COMPACT HST TRANSMISSION		Sida Page	
2005- 11		1668						26	
Pos. Fig.	Antal/Quantity			Art nr Part No	Benämning	Description	Sats Kit	Anmärkning Notes	
	6102 6103								
1	1			1134-4000-02	Spännarm	Tension arm			
2	1			1134-3459-01	Spännrulle	Tension roller			
3	1			9924-1035-16	Skruv	Screw			
4	1			9799-1031-02	Mutter	Nut			
5	1			1134-9058-01	Drivrem	V- belt		= 9585-0091-01	
6	1			9997-0625-16	Skruv	Screw			
7	1			9739-0631-22	Mutter	Nut			
7A	1			9747-0631-02	Låsmutter	Lock nut			
8	1			1134-3377-02	Reglagestång	Control rod			
10	1			1134-4171-01	Ledtapp	Pivot pin			
11	1			1134-4183-01	Tryckfjäder	Compression spring			
12	2			1134-3456-01	Bussning	Bushing			
13	1			9747-0631-02	Låsmutter	Lock nut			
14	1			1134-1565-08	Distans	Spacer			
15	1			9997-0870-16	Skruv	Screw			
16	1			9699-0056-02	Planbricka	Flat washer			
17	1			9747-0831-02	Mutter	Lock nut			
18	1			1134-1949-01	Fjäder	Spring			
19	1			9699-0060-02	Planbricka	Flat washer			
20	1			1134-4848-01	Transaxel	Transaxle		Kanzaki K46G	
21	4			9997-0865-12	Skruv	Screw			
22	4			9747-0831-02	Mutter	Lock nut			
23	1			1134-3913-01	Reaktionsstag	Strut			
24	1			9959-0825-16	Skruv	Screw			
25	1			9997-0845-12	Skruv	Screw			
26	1			9699-0028-02	Planbricka	Flat washer			
27	2			9747-0831-02	Mutter	Lock nut			
28	1			9747-0631-02	Låsmutter	Lock nut			
29	1			1134-2765-02	Oljetank	Oil tank			
30	1			1134-2777-02	Tanklock	Filler cap			
31	1			1134-3734-01	Luftningsplugg	Vent plug			
32	1			1134-2778-01	Fästband	Retainer strap			
33	2			9852-8013-16	Skruv	Screw			
34	2			9699-0099-02	Bricka	Washer			
35	2			9578-0023-04	Slangklämma	Hose clamp			
36	1			1134-2779-07	Slang	Tube		L = 140 mm	
40	1			1134-4015-01	Dragstång	Pull rod			
41	1			1134-4014-01	Plastknopp	Plastic button			
42	1			1134-4713-01	Vinkel	Bracket			
43	1			1134-2790-01	Gummihylsa	Rubber grommet			
44	1			9959-0816-16	Skruv	Screw			
45	1			9739-0831-22	Mutter	Nut			
46	1			9675-0009-02	Starlock	Starlock			
51	1			1134-3289-02	Remstyrning	Belt guide			
52	1			9959-0820-16	Skruv	Screw			
53	1			9699-0056-02	Planbricka	Flat washer			
54	1			9739-0831-22	Mutter	Nut			



Utgåva Issue		Bildnr Picture No		PARK COMPACT HJUL		PARK COMPACT WHEELS		Sida Page	
2005-11		1346A						28	
Pos. Fig.	Antal/Quantity			Art nr Part No	Benämning	Description	Sats Kit	Anmärkning Notes	
	6101	6102	6103						
1	2			1134-0075-01	Framaxeltapp	Front axle			
2	2			9595-0258-00	Spännstift	Locating pin			
3	2			1134-4844-05	Hjulnav kpi.....	Wheel hub assy.....			
3A	1			9501-0500-00	• Smörjnippel.....	• Grease joint.....			
4	1			1134-9026-01	• Lagerbussning.....	• Bearing bush kit.....		Sats 4 st/kit of 4	
5	2			1134-5255-01	Fälg.....	Rim			
6	2			9545-0126-01	Däck	Tyre		16 x 6.00 - 8	
7	2			9545-0500-00	Ventil	Valve			
8	6			9747-1031-02	Låsmutter	Lock nut			
9	6			9699-0035-02	Planbricka.....	Flat washer			
10	8			1134-0341-01	Bricka	Washer			
11	2			9599-0080-02	Saxsprint	Cotter pin			
12	2			1134-4844-02	Hjulnav	Wheel hub.....			
13	2			1134-5255-01	Fälg.....	Rim			
14	2			9545-0126-01	Däck	Tyre		16 x 6.00 - 8	
15	2			9545-0500-00	Ventil	Valve			
16	6			9747-1031-02	Låsmutter	Lock nut			
17	6			9699-0035-02	Planbricka.....	Flat washer.....			
18	2			1134-4796-01	Navkapsel	Hub cap.....			
19	2			9947-0540-19	Skruv	Screw			
20	2			1134-2471-01	Kil	Key.....			
21	2			9699-0042-02	Planbricka.....	Flat washer.....			
22	2			9653-0001-04	Spärryttare	Lock ring			
25	2			9598-0003-02	Låsnål.....	Spring pin			
26	2			9699-0042-02	Planbricka.....	Flat washer.....			
99				9545-0203-00	Innerslang	Inner tube		Reservdel/spare part	



Utgåva Issue		Bildnr Picture No		PARK COMPACT KRAFTUTTAG		PARK COMPACT POWER TAKE-OFF		Sida Page	
2005-11		1030F						30	
Pos. Fig.	Antal/Quantity			Art nr Part No	Benämning	Description	Sats Kit	Anmärkning Notes	
	6101	6102	6103						
1	1			1134-5548-01	Distans	Spacer			
2	1			1134-5109-01	Spännhjulsarm	Tension wheel arm			
3	1			1134-1770-01	Spännrulle	Tension roller			
4	1			1134-1888-04	Distans	Spacer			
5	1			1134-5111-01	Fjäder	Spring			
6	1			9699-0056-02	Planbricka	Flat washer			
7	1			9739-0831-22	Mutter	Nut			
8	1			9997-0855-12	Skruv	Screw			
9	1			9695-0017-00	Shimsbricka	Shim washer		- 050227	
10	1			1134-1769-02	Remskiva kpl	Belt pulley assy			
11	1			1134-0051-09	• Distans	• Spacer			
12	2			9549-0019-00	• Kullager	• Ball bearing			
13	1			1134-5112-01	Fjäderfäste	Spring attachment			
14	2			9945-0816-16	Skruv	Screw			
15	1			1134-5110-01	Hake	Hook			
16	2			9893-0616-16	Skruv	Screw			
18	1			1134-2018-02	Spännarm	Tension arm			
19	1			1134-9027-01	Spännrulle	Tension roller			
20	1			1134-9071-01	Drivrem	V-belt		= 9585-0129-01	
21	1			9997-1030-16	Skruv	Screw			
22	1			9799-1031-02	Mutter	Nut			
23	1			1134-4111-01	Bromsarm	Brake arm			
24	1			1134-4164-01	Bromsklots	Brake pad			
25	1			9897-0825-16	Skruv	Screw			
26	1			9747-0831-02	Mutter	Lock nut			
27	1			1134-4162-01	Bromsstång	Brake rod			
28	1			9675-0008-02	Starlock	Locking washer			
29	1			1134-4170-01	Nippel	Nipple			
30	1			9699-0025-02	Planbricka	Washer			
31	1			9747-0631-02	Låsmutter	Lock nut			
32	1			4231-0013-00	Fjäder	Spring			
33	1			1134-4231-01	Dragfjäder	Spring			
34	1			1134-1565-10	Distans	Spacer			
35	1			9997-0865-12	Skruv	Screw			
36	1			9699-0056-02	Planbricka	Flat washer			
37	1			9739-0831-22	Mutter	Nut			
38	1			1134-4163-01	Ansatsskruv	Shoulder bolt			
39	1			9747-1031-02	Låsmutter	Lock nut			
40	1			1134-3958-01	Remstyrning	Belt guide			
41	2			9893-0616-16	Skruv	Screw			
42	1			1134-0041-03	Hylsa	Collar			
43	1			9997-1070-12	Skruv	Screw			
44	1			9739-1031-22	Mutter	Nut			
45	1			1134-3654-01	Fingerskydd	Finger guard			
46	2			9959-0612-16	Skruv	Screw			
47	2			9739-0631-22	Mutter	Nut			
48	1			9699-0090-02	Planbricka	Flat washer			
49	2			9699-0035-02	Planbricka	Flat washer			
50	1			9699-0035-02	Planbricka	Flat washer			

X