

# Genuine Spare Parts

www.stiga.com

## KANZAKI

### Wheel engines

Contains these wheel engines

KWM13L-166A

KWM13S-162A

KWM13S-162B

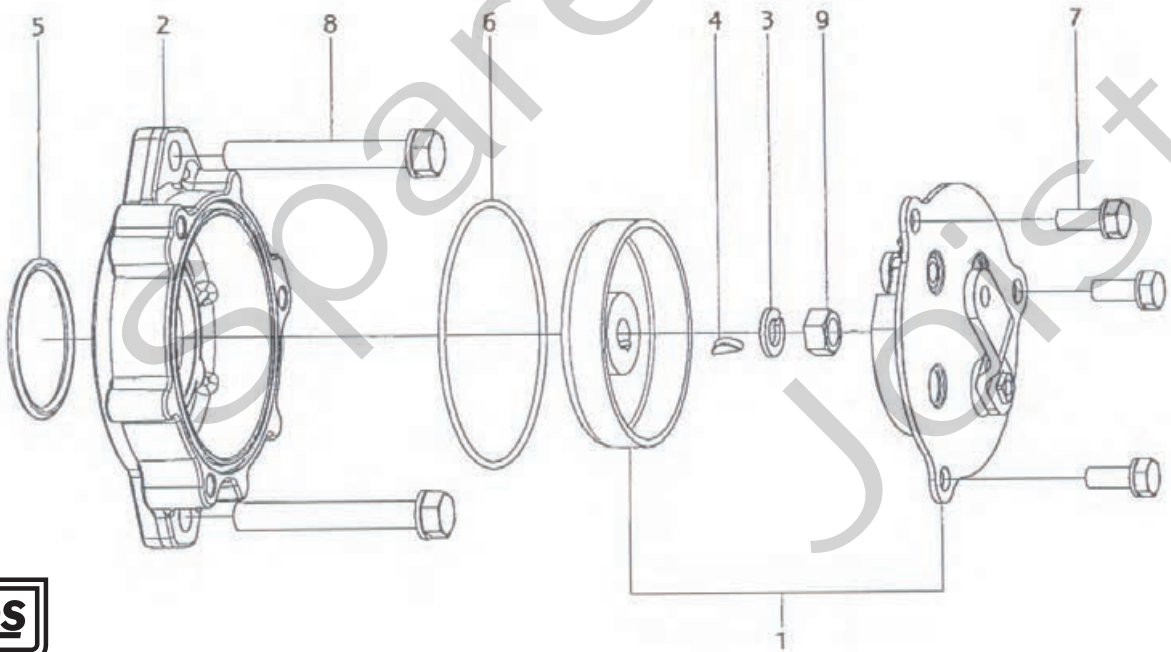
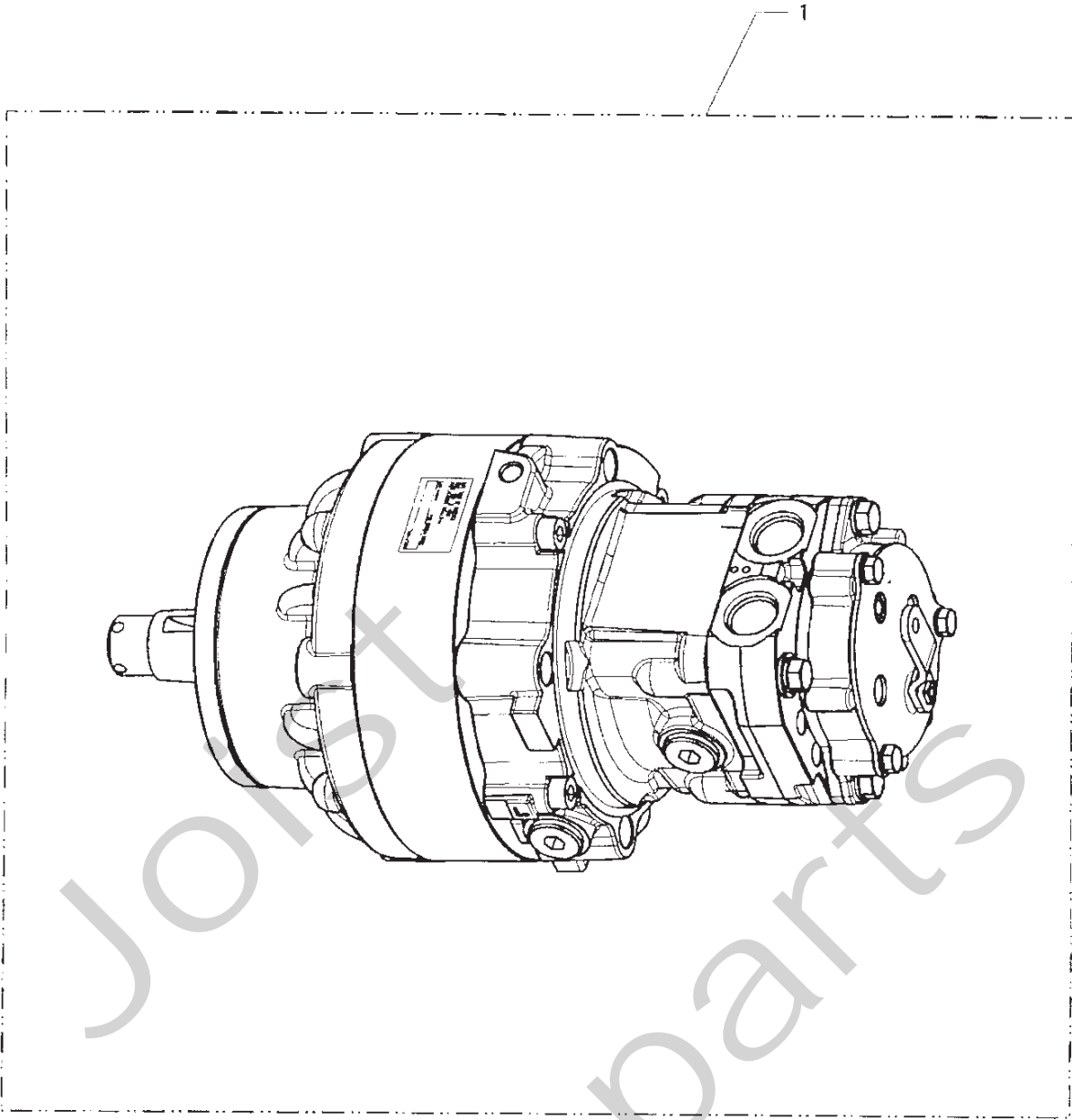
KWM13S-162N

- Use GLOBAL GARDEN PRODUCT Genuine Spare Parts specified in the parts list for repair and/or replacement.
- The contents described in the parts list may change due to improvement.
- The drawings of the spare parts are only indicative and might not represent the part in question exactly.
- The indications "right" - "left" - "front" - "rear" refer to the position of the operator when using the machine.
- When placing orders of parts for repair and/or replacement, make sure that the illustrated parts list is the one applying to the machine's year of manufacture, as shown on the identification plate attached to the machine.

COPYRIGHT by GLOBAL GARDEN PRODUCTS

All rights reserved. No part of this material may be reproduced or transmitted, in any form or by any means, electronic or mechanical, including photocopying, recording or by any information storage and retrieval system, without permission in writing from GLOBAL GARDEN PRODUCTS.

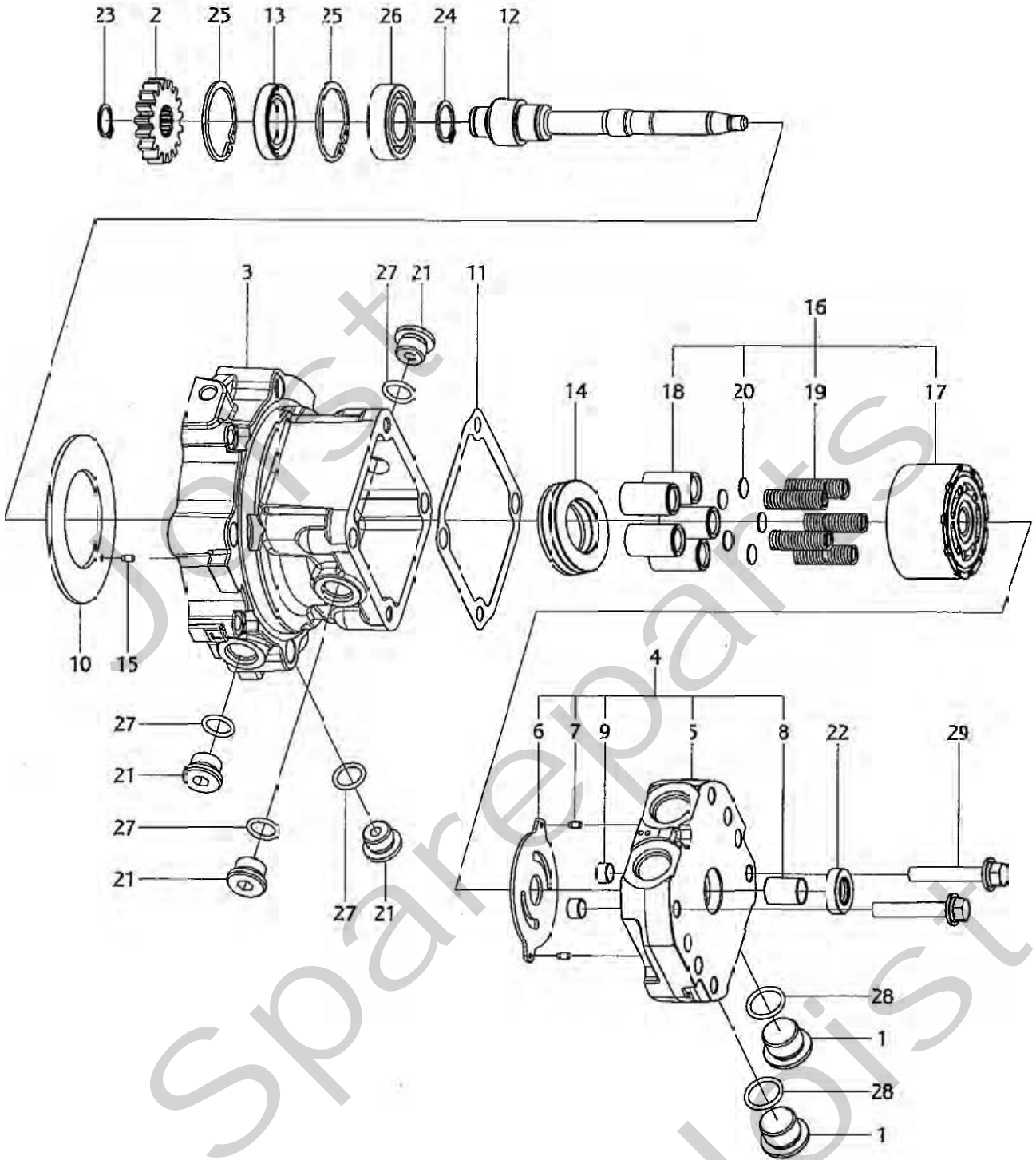
**STIGA**®



BL1017



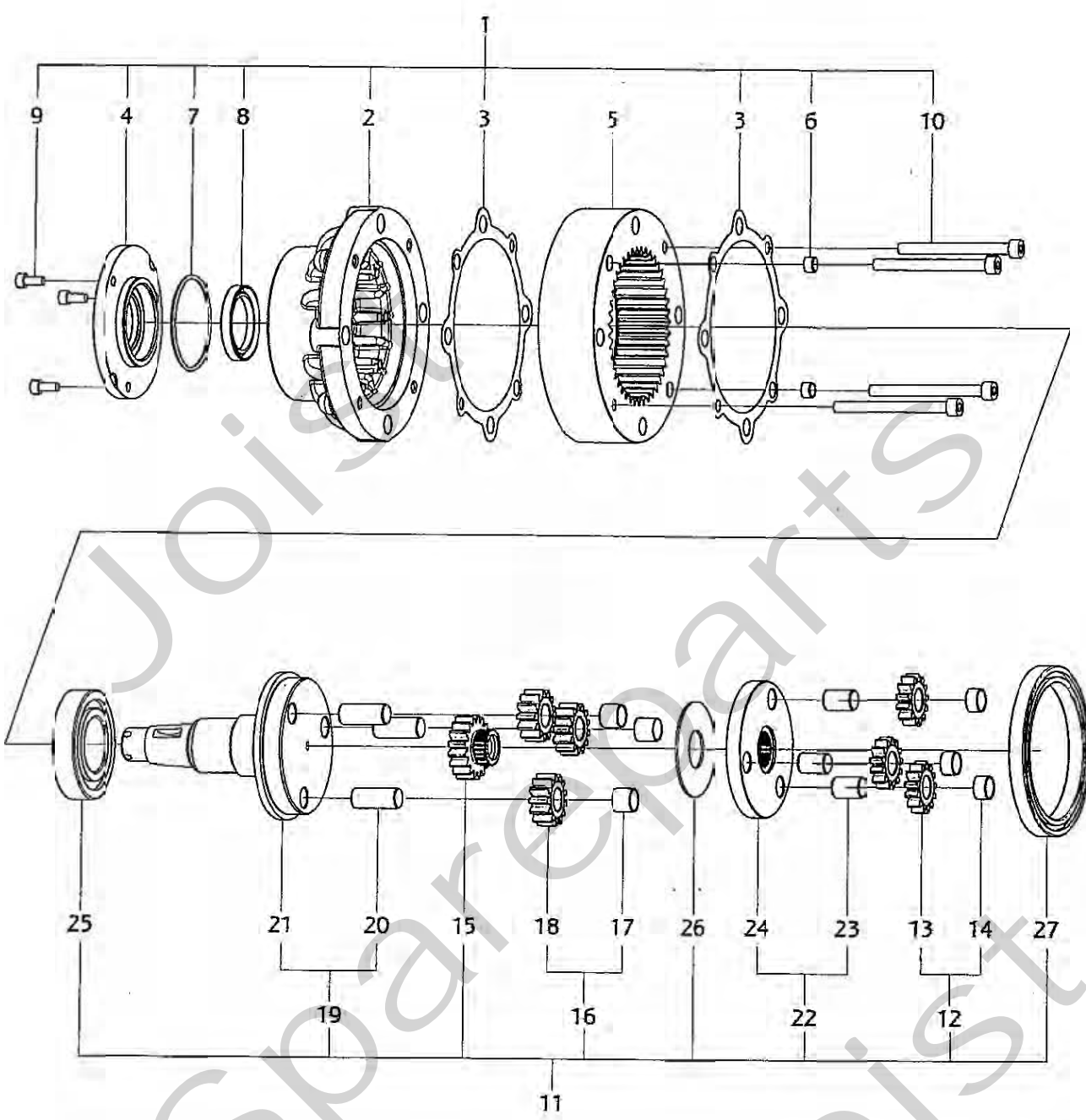
| Utgåva<br>Issue |                     | Bildnr<br>Picture No |  | KANZAKI<br>HJULMOTOR<br>KWM 13L- 166A<br>MOTOR KPL- BROMS |                   | KANZAKI<br>WHEEL ENGINE<br>KWM 13L- 166A<br>MOTOR ASSY- BRAKE |                       | Sida<br>Page |                     |
|-----------------|---------------------|----------------------|--|---|-------------------|---|-----------------------|--------------|---------------------|
| 2010- 71        |                     | BL1017               |  |   |                   |   |                       | 22           |                     |
| Pos.<br>Fig.    | Antal/Quantity      |                      |  |   | Art nr<br>Part No | Benämning   | Description           | Sats<br>Kit  | Anmärkning<br>Notes |
|                 | KWM<br>13L-<br>166A |                      |  |   |                   |   |                       |              |                     |
| A01             | 1                   |                      |  |   | 1134- 7014- 01    | Hydraulmotor .....  | Hydraulic motor ..... |              | KWM 13L- 166A       |
| B01             | 1                   |                      |  |   | 1139- 1541- 01    | Broms.....  | Brake.....            |              |                     |
| B02             | 1                   |                      |  |   | 1139- 1542- 01    | Bromshus.....   | Brake case.....       |              |                     |
| B03             | 1                   |                      |  |   | 1139- 1577- 01    | Bricka .....  | Washer.....           |              |                     |
| B04             | 1                   |                      |  |   | 1139- 1578- 01    | Kil .....   | Key .....             |              |                     |
| B05             | 1                   |                      |  |   | 1139- 1580- 01    | Packning.....   | Packing .....         |              |                     |
| B06             | 1                   |                      |  |   | 1139- 1582- 01    | Packning.....   | Packing .....         |              |                     |
| B07             | 3                   |                      |  |   | 1139- 1583- 01    | Skruv .....   | Bolt .....            |              |                     |
| B08             | 2                   |                      |  |   | 1139- 1584- 01    | Skruv .....   | Bolt .....            |              |                     |
| B09             | 1                   |                      |  |   | 1139- 1589- 01    | Mutter.....   | Nut .....             |              |                     |



BL1011



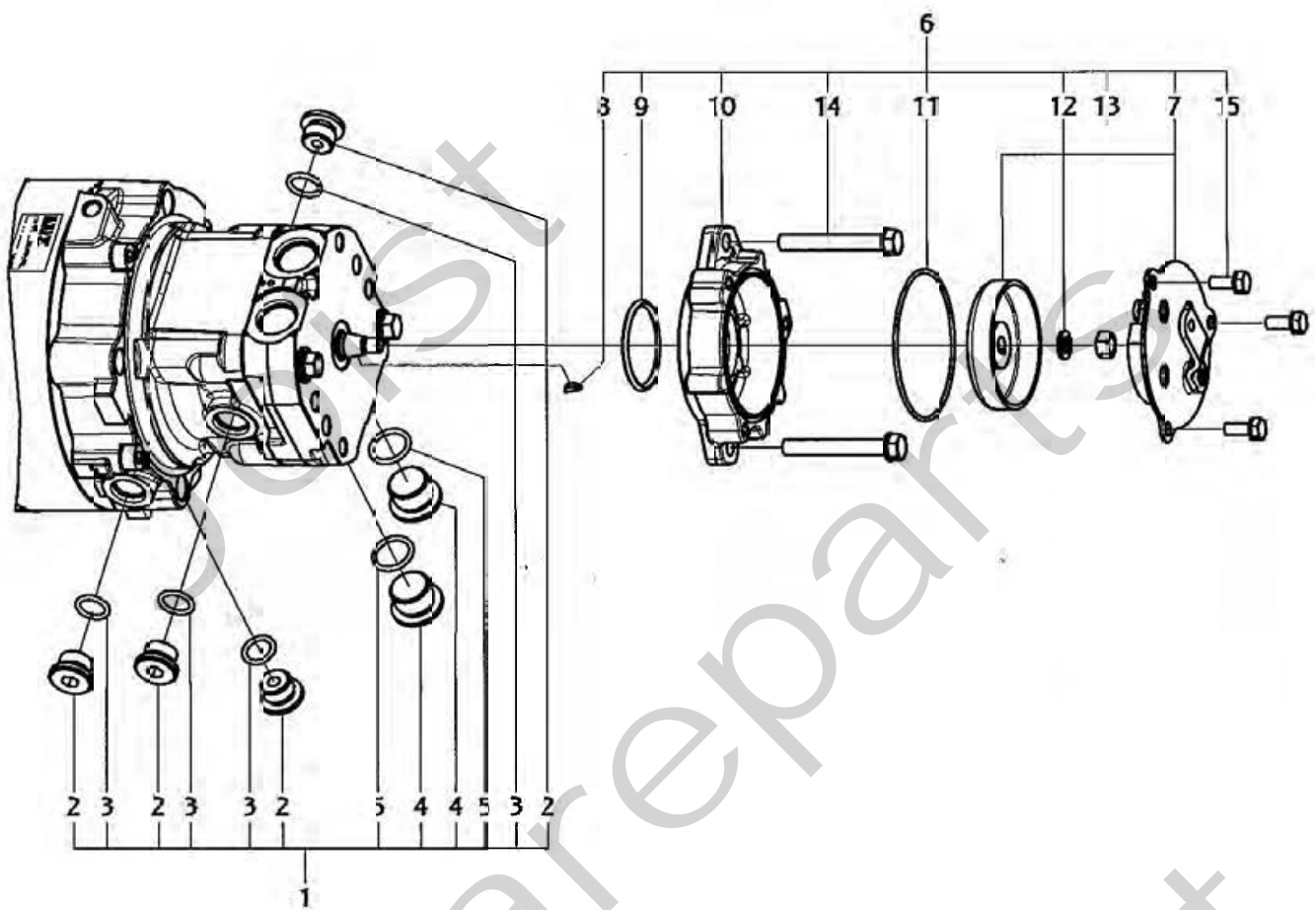
| Utgåva<br>Issue |                     | Bildnr<br>Picture No |  | KANZAKI<br>HJULMOTOR<br>KWM 13L-166A<br>MOTOR |                   | KANZAKI<br>WHEEL ENGINE<br>KWM 13L-166A<br>MOTOR |                           | Sida<br>Page |                     |
|-----------------|---------------------|----------------------|--|---|-------------------|--|---------------------------|--------------|---------------------|
| 2010-71         |                     | BL1011               |  |   |                   |  |                           | 24           |                     |
| Pos.<br>Fig.    | Antal/Quantity      |                      |  |   | Art nr<br>Part No | Benämning  | Description               | Sats<br>Kit  | Anmärkning<br>Notes |
|                 | KWM<br>13L-<br>166A |                      |  |   |                   |  |                           |              |                     |
| X               | 1                   | 2                    |  |   | 1139-1569-01      | Plugg 1/2" .....                                 | Plug 1/2" .....           |              |                     |
| X               | 2                   | 1                    |  |   | 1139-1625-01      | Drev .....                                       | Sun gear .....            |              |                     |
| X               | 3                   | 1                    |  |   | 1139-1621-01      | Hus .....  | Housing .....             |              |                     |
| X               | 4                   | 1                    |  |   | 1139-1622-01      | Centrumhus kpl .....                             | Center case assy .....    |              | Inkl. pos 5-9       |
| X               | 6                   | 1                    |  |   | 1139-1623-01      | • Ventilplatta .....                             | • Valve plate .....       |              |                     |
|                 | 7                   | 2                    |  |   | 1139-1058-01      | • Stift .....                                    | • Knock pin .....         |              |                     |
|                 | 9                   | 2                    |  |   | 1139-1166-01      | • Tapp .....                                     | • Pin .....               |              |                     |
| X               | 10                  | 1                    |  |   | 1139-1627-01      | Platta .....                                     | Plate .....               |              |                     |
| X               | 11                  | 1                    |  |   | 1139-1631-01      | Packning .....                                   | Packing .....             |              |                     |
| X               | 12                  | 1                    |  |   | 1139-1624-01      | Axel .....                                       | Shaft .....               |              |                     |
| X               | 13                  | 1                    |  |   | 1139-1633-01      | Tätningring .....                                | Oil seal .....            |              |                     |
| X               | 14                  | 1                    |  |   | 1139-1676-01      | Lager .....                                      | Bearing .....             |              |                     |
|                 | 15                  | 1                    |  |   | 1139-1058-01      | Stift .....                                      | Knock pin .....           |              |                     |
| X               | 16                  | 1                    |  |   | 1139-1617-01      | Cylinderblock kpl .....                          | Cylinder block assy ..... |              | Inkl. pos 17-20     |
|                 | 21                  | 4                    |  |   | 1139-1572-01      | Plugg 3/8" .....                                 | Plug 3/8" .....           |              |                     |
| X               | 22                  | 1                    |  |   | 1139-1614-01      | Tätningring .....                                | Seal .....                |              |                     |
|                 | 23                  | 1                    |  |   | 1139-1278-01      | Låsring .....                                    | Ring .....                |              |                     |
| X               | 24                  | 1                    |  |   | 1139-1678-01      | Låsring .....                                    | Ring .....                |              |                     |
|                 | 25                  | 2                    |  |   | 1139-1444-01      | Låsring .....                                    | Ring .....                |              |                     |
|                 | 26                  | 1                    |  |   | 1139-0233-01      | Kullager .....                                   | Ball bearing .....        |              |                     |
|                 | 27                  | 4                    |  |   | 1139-1115-01      | O-ring .....                                     | O-ring .....              |              |                     |
|                 | 28                  | 2                    |  |   | 1139-1579-01      | Packning .....                                   | Packing .....             |              |                     |
|                 | 29                  | 2                    |  |   | 1139-1536-01      | Skruv .....                                      | Bolt w/washer .....       |              |                     |



BL1012



| Utgåva<br>Issue<br>2010-71 |                     | Bildnr<br>Picture No<br>BL1012 |  | KANZAKI<br>HJULMOTOR<br>KWM 13L-166A<br>AXEL KPL |                   | KANZAKI<br>WHEEL ENGINE<br>KWM 13L-166A<br>AXLE ASSY |                      | Sida<br>Page<br>26 |                     |
|----------------------------|---------------------|--------------------------------|--|--|-------------------|--|----------------------|--------------------|---------------------|
| Pos.<br>Fig.               | Antal/Quantity      |                                |  |  | Art nr<br>Part No | Benämning  | Description          | Sats<br>Kit        | Anmärkning<br>Notes |
|                            | KWM<br>13L-<br>166A |                                |  |  |                   |  |                      |                    |                     |
| X                          | 1                   | 1                              |  |  | 1139-1634-01      | Axel kpl.....  | Axle assy.....       |                    | Inkl. pos 2-10      |
| X                          | 2                   | 1                              |  |  | 1139-1635-01      | • Axelhus.....                                       | • Axle case.....     |                    |                     |
| X                          | 3                   | 2                              |  |  | 1139-1636-01      | • Packning.....                                      | • Packing.....       |                    |                     |
| X                          | 4                   | 1                              |  |  | 1139-1637-01      | • Lock.....  | • Seal cover.....    |                    |                     |
| X                          | 5                   | 1                              |  |  | 1139-1639-01      | • Kuggkrans.....                                     | • Internal gear..... |                    |                     |
| X                          | 6                   | 2                              |  |  | 1139-1166-01      | • Tapp.....  | • Pin.....           |                    |                     |
| X                          | 7                   | 1                              |  |  | 1139-1682-01      | • Packning.....                                      | • Packing.....       |                    |                     |
| X                          | 8                   | 1                              |  |  | 1139-1684-01      | • Tätningsring.....                                  | • Seal.....          |                    |                     |
| X                          | 9                   | 3                              |  |  | 1139-1688-01      | • Skruv.....   | • Bolt.....          |                    |                     |
| X                          | 10                  | 4                              |  |  | 1139-1691-01      | • Bult.....  | • Bolt.....          |                    |                     |
| X                          | 11                  | 1                              |  |  | 1139-1638-01      | Axel kpl.....  | Axle shaft assy..... |                    | Inkl. pos 12-25     |
| X                          | 12                  | 3                              |  |  | 1139-1645-01      | • Drev kpl.....                                      | • Gear 1st assy..... |                    | Inkl. pos 13-14     |
| X                          | 15                  | 1                              |  |  | 1139-1640-01      | • Drev.....  | • Sun gear 2nd.....  |                    |                     |
| X                          | 16                  | 3                              |  |  | 1139-1646-01      | • Drev kpl.....                                      | • Gear 2nd assy..... |                    | Inkl. pos 17-18     |
| X                          | 19                  | 1                              |  |  | 1139-1643-01      | • Axel kpl.....                                      | • Shaft assy.....    |                    | Inkl. pos 20-21     |
| X                          | 22                  | 1                              |  |  | 1139-1644-01      | • Medbringare kpl.....                               | • Carrier assy.....  |                    | Inkl. pos 23-24     |
| X                          | 25                  | 1                              |  |  | 1139-1675-01      | • Kullager.....                                      | • Ball bearing.....  |                    |                     |
| X                          | 26                  | 1                              |  |  | 1139-1641-01      | • Platta.....  | • Plate.....         |                    |                     |
| X                          | 27                  | 1                              |  |  | 1139-1642-01      | • Lager.....   | • Bearing.....       |                    |                     |

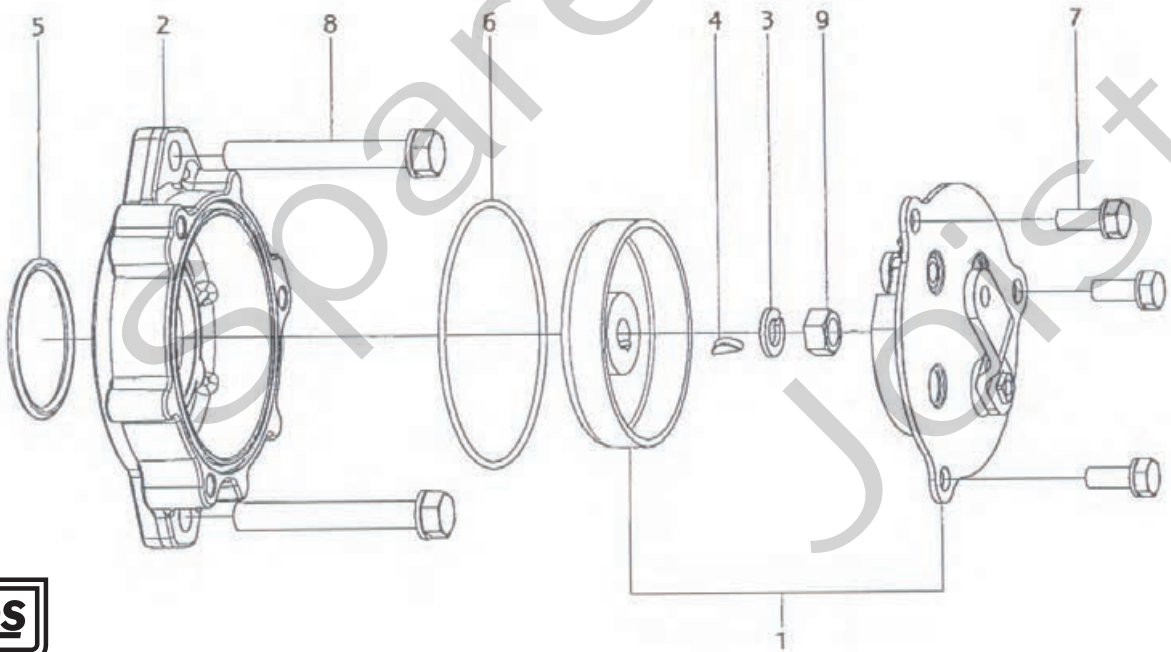
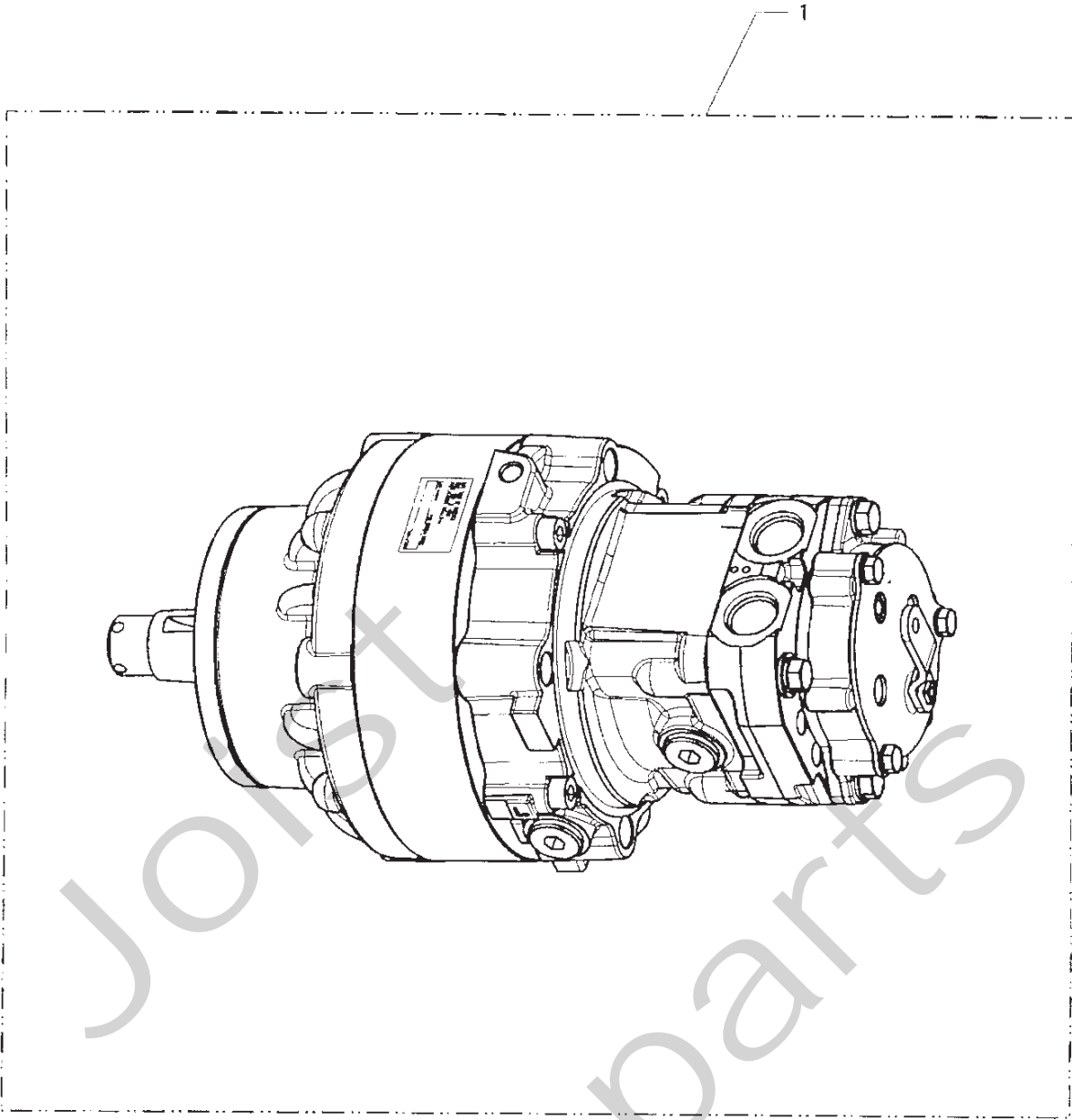


BL1013





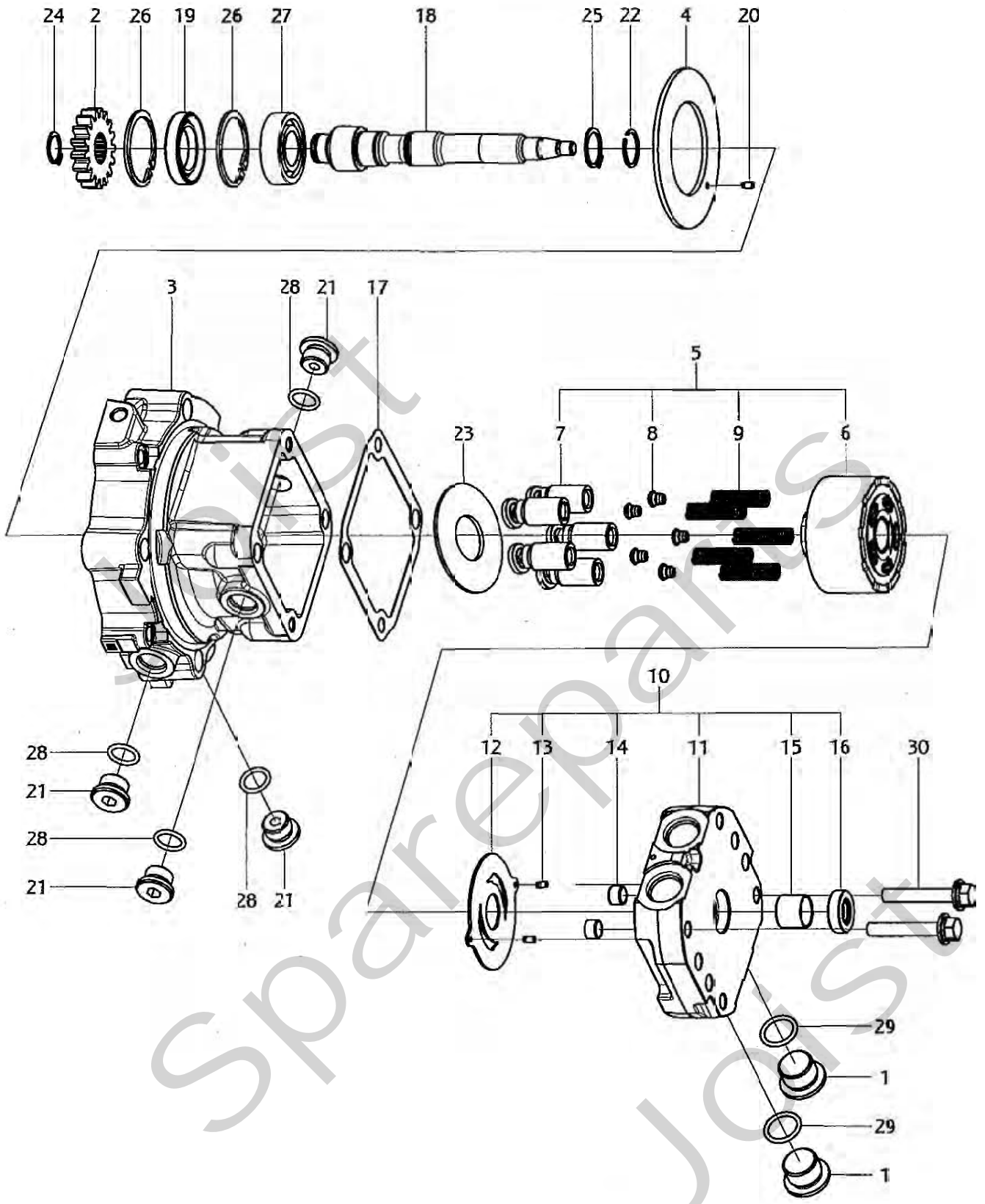
| Utgåva<br>Issue |                     | Bildnr<br>Picture No |  | KANZAKI<br>HJULMOTOR<br>KWM 13L- 166A<br>SERVICEDELAR |                   | KANZAKI<br>WHEEL ENGINE<br>KWM 13L- 166A<br>SERVICE PARTS |                    | Sida<br>Page |                     |
|-----------------|---------------------|----------------------|--|---|-------------------|---|--------------------|--------------|---------------------|
| 2010- 71        |                     | BL1013               |  |   |                   |   |                    | 28           |                     |
| Pos.<br>Fig.    | Antal/Quantity      |                      |  |   | Art nr<br>Part No | Benämning   | Description        | Sats<br>Kit  | Anmärkning<br>Notes |
|                 | KWM<br>13L-<br>166A |                      |  |   |                   |   |                    |              |                     |
| 1               | 1                   |                      |  |   | 1139- 1543- 01    | Pluggsats.....  | Plug kit.....      |              | Inkl. pos 2- 5      |
| 2               | 4                   |                      |  |   | 1139- 1572- 01    | • Plugg 3/8" .....  | • Plug 3/8" .....  |              |                     |
| 3               | 4                   |                      |  |   | 1139- 1115- 01    | • O- ring.....  | • O- ring .....    |              |                     |
| 4               | 2                   |                      |  |   | 1139- 1569- 01    | • Plugg 1/2" .....  | • Plug 1/2" .....  |              |                     |
| 5               | 2                   |                      |  |   | 1139- 1579- 01    | • Packning.....   | • Packing .....    |              |                     |
| 6               | 1                   |                      |  |   | 1139- 1544- 01    | Broms kpl.....  | Brake kit.....     |              | Inkl. pos 7- 15     |
| 7               | 1                   |                      |  |   | 1139- 1541- 01    | • Broms.....  | • Brake .....      |              |                     |
| 8               | 1                   |                      |  |   | 1139- 1578- 01    | • Kil .....   | • Key .....        |              |                     |
| 9               | 1                   |                      |  |   | 1139- 1580- 01    | • Packning.....   | • Packing .....    |              |                     |
| 10              | 1                   |                      |  |   | 1139- 1542- 01    | • Bromshus .....  | • Brake case ..... |              |                     |
| 11              | 1                   |                      |  |   | 1139- 1582- 01    | • Packning.....   | • Packing .....    |              |                     |
| 12              | 1                   |                      |  |   | 1139- 1577- 01    | • Bricka .....  | • Washer .....     |              |                     |
| 13              | 1                   |                      |  |   | 1139- 1589- 01    | • Mutter.....   | • Nut .....        |              |                     |
| 14              | 2                   |                      |  |   | 1139- 1584- 01    | • Skruv .....   | • Bolt .....       |              |                     |
| 15              | 3                   |                      |  |   | 1139- 1583- 01    | • Skruv .....   | • Bolt .....       |              |                     |



BL1017



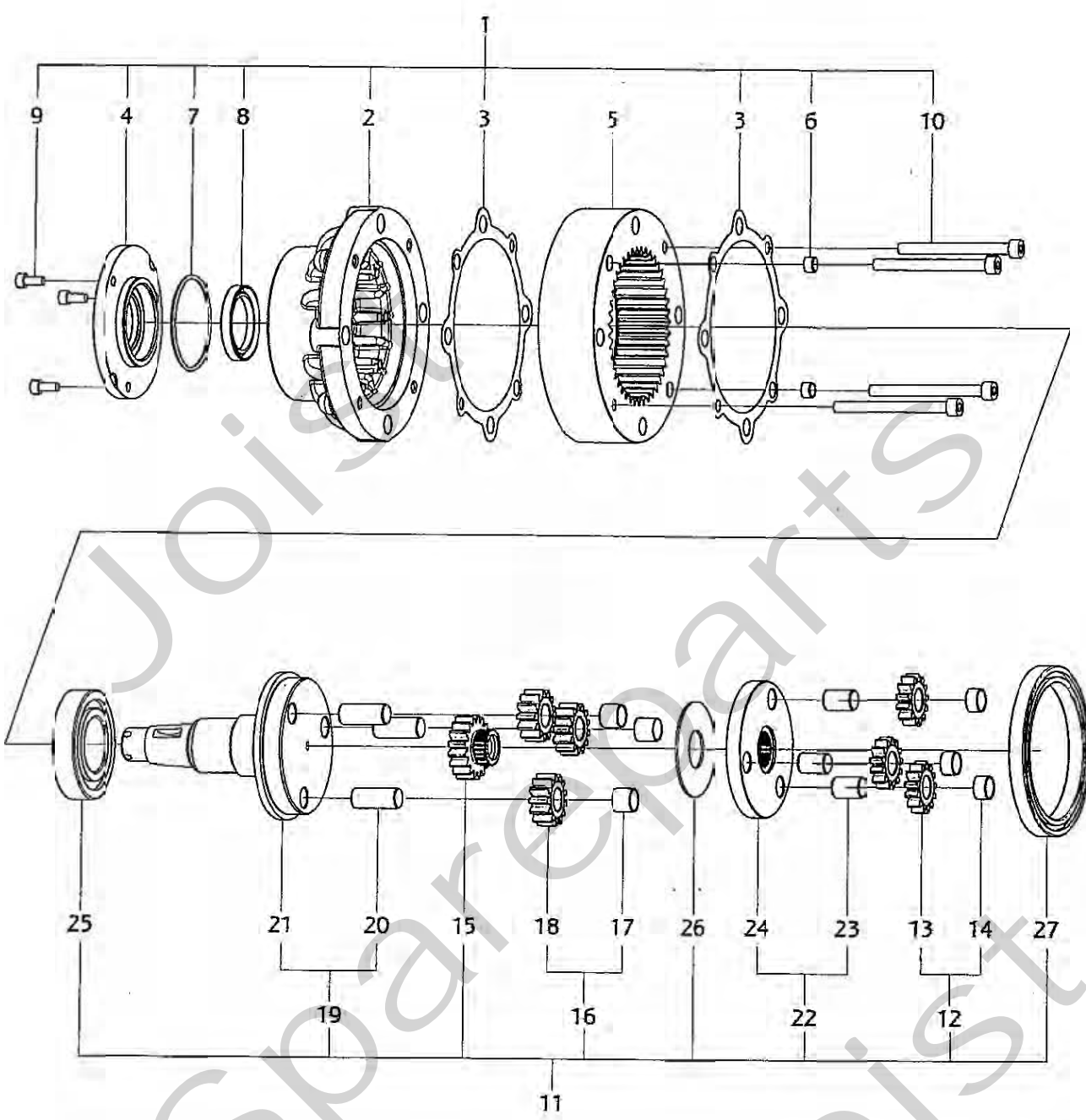
| Utgåva<br>Issue |                     | Bildnr<br>Picture No |  | KANZAKI<br>HJULMOTOR<br>KWM 13S- 162A<br>MOTOR KPL- BROMS |                   | KANZAKI<br>WHEEL ENGINE<br>KWM 13S- 162A<br>MOTOR ASSY- BRAKE |                       | Sida<br>Page |                     |
|-----------------|---------------------|----------------------|--|---|-------------------|---|-----------------------|--------------|---------------------|
| 2010- 71        |                     | BL1017               |  |   |                   |   |                       | 30           |                     |
| Pos.<br>Fig.    | Antal/Quantity      |                      |  |   | Art nr<br>Part No | Benämning   | Description           | Sats<br>Kit  | Anmärkning<br>Notes |
|                 | KWM<br>13S-<br>162A |                      |  |   |                   |   |                       |              |                     |
| A01             | 1                   |                      |  |   | 1134- 7015- 01    | Hydraulmotor .....  | Hydraulic motor ..... |              | KWM 13S- 162A       |
| B01             | 1                   |                      |  |   | 1139- 1541- 01    | Broms.....  | Brake.....            |              |                     |
| B02             | 1                   |                      |  |   | 1139- 1542- 01    | Bromshus.....   | Brake case.....       |              |                     |
| B03             | 1                   |                      |  |   | 1139- 1577- 01    | Bricka .....  | Washer.....           |              |                     |
| B04             | 1                   |                      |  |   | 1139- 1578- 01    | Kil .....   | Key .....             |              |                     |
| B05             | 1                   |                      |  |   | 1139- 1580- 01    | Packning.....   | Packing .....         |              |                     |
| B06             | 1                   |                      |  |   | 1139- 1582- 01    | Packning.....   | Packing .....         |              |                     |
| B07             | 3                   |                      |  |   | 1139- 1583- 01    | Skruv .....   | Bolt .....            |              |                     |
| B08             | 2                   |                      |  |   | 1139- 1584- 01    | Skruv .....   | Bolt .....            |              |                     |
| B09             | 1                   |                      |  |   | 1139- 1589- 01    | Mutter.....   | Nut .....             |              |                     |



BL1014



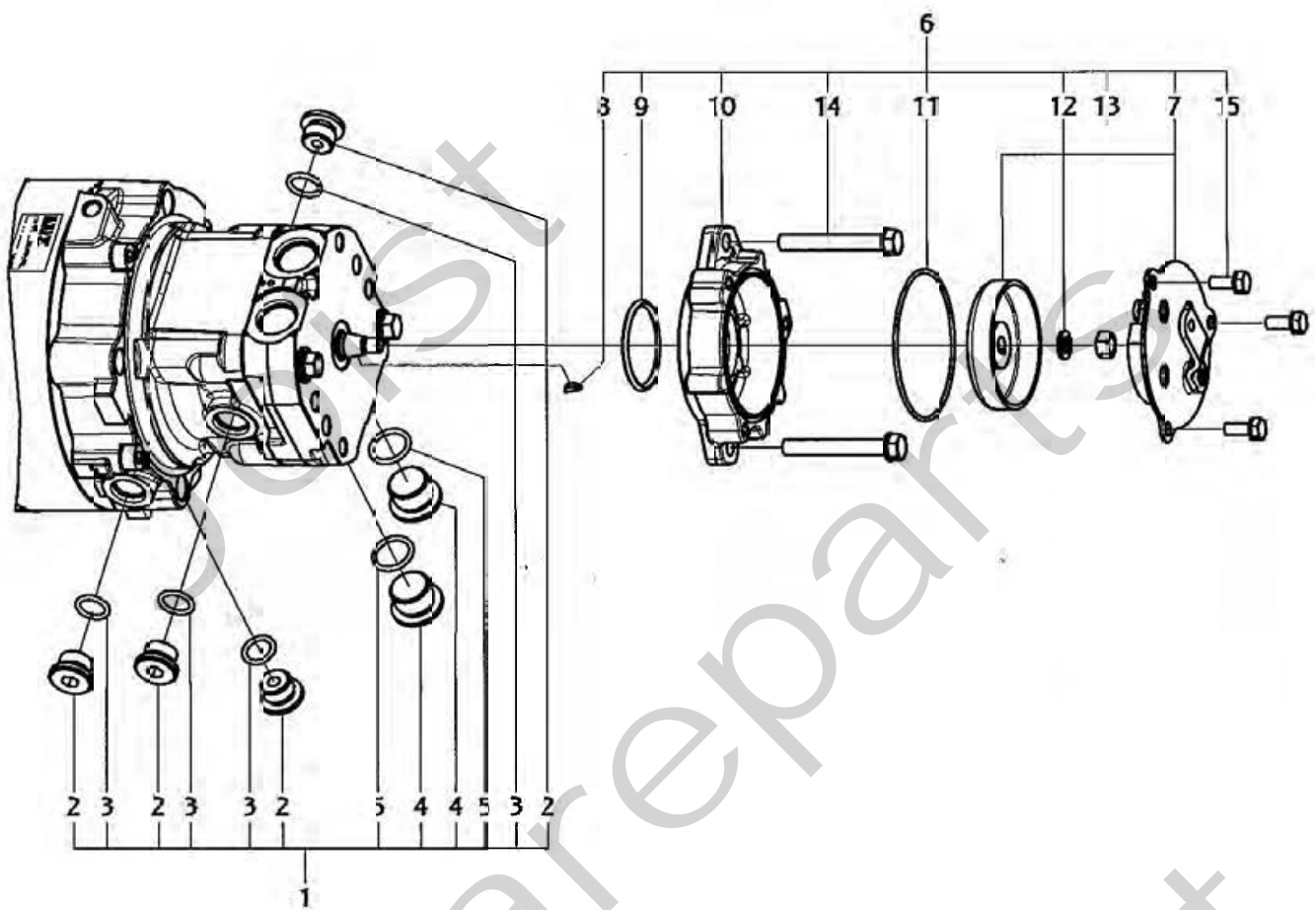
| Utgåva<br>Issue |                     | Bildnr<br>Picture No |  | KANZAKI<br>HJULMOTOR<br>KWM 13S- 162A<br>MOTOR |                   | KANZAKI<br>WHEEL ENGINE<br>KWM 13S- 162A<br>MOTOR |                         | Sida<br>Page |                     |
|-----------------|---------------------|----------------------|--|--|-------------------|---|-------------------------|--------------|---------------------|
| 2010-71         |                     | BL1014               |  |  |                   |   |                         | 32           |                     |
| Pos.<br>Fig.    | Antal/Quantity      |                      |  |  | Art nr<br>Part No | Benämning   | Description             | Sats<br>Kit  | Anmärkning<br>Notes |
|                 | KWM<br>13S-<br>162A |                      |  |  |                   |   |                         |              |                     |
| X               | 1                   | 2                    |  |  | 1139- 1569- 01    | Plugg 1/2" .....                                  | Plug 1/2" .....         |              |                     |
| X               | 2                   | 1                    |  |  | 1139- 1625- 01    | Drev .....  | Sun gear .....          |              |                     |
| X               | 3                   | 1                    |  |  | 1139- 1626- 01    | Hus .....   | Housing .....           |              |                     |
| X               | 4                   | 1                    |  |  | 1139- 1627- 01    | Platta .....                                      | Plate .....             |              |                     |
| X               | 5                   | 1                    |  |  | 1139- 1628- 01    | Tryckblock kpl.....                               | Plunger block assy..... |              |                     |
| X               | 10                  | 1                    |  |  | 1139- 1629- 01    | Centrumhus kpl.....                               | Center case assy .....  |              | Inkl. pos 6- 9      |
| X               | 12                  | 1                    |  |  | 1139- 1630- 01    | • Ventilplatta .....                              | • Valve plate .....     |              | Inkl. pos 11- 16    |
|                 | 13                  | 2                    |  |  | 1139- 1058- 01    | • Stift .....                                     | • Knock pin .....       |              |                     |
|                 | 14                  | 2                    |  |  | 1139- 1166- 01    | • Tapp .....                                      | • Pin .....             |              |                     |
| X               | 16                  | 1                    |  |  | 1139- 1614- 01    | • Tätningsring .....                              | • Seal .....            |              |                     |
| X               | 17                  | 1                    |  |  | 1139- 1631- 01    | Packning .....                                    | Packing .....           |              |                     |
| X               | 18                  | 1                    |  |  | 1139- 1632- 01    | Axel .....  | Shaft .....             |              |                     |
| X               | 19                  | 1                    |  |  | 1139- 1633- 01    | Tätningring .....                                 | Oil seal .....          |              |                     |
|                 | 20                  | 1                    |  |  | 1139- 1058- 01    | Stift .....                                       | Knock pin .....         |              |                     |
|                 | 21                  | 4                    |  |  | 1139- 1572- 01    | Plugg 3/8" .....                                  | Plug 3/8" .....         |              |                     |
| X               | 22                  | 1                    |  |  | 1139- 1615- 01    | Hållare .....                                     | Retainer .....          |              |                     |
| X               | 23                  | 1                    |  |  | 1139- 1616- 01    | Tryckbricka .....                                 | Thrust plate .....      |              |                     |
|                 | 24                  | 1                    |  |  | 1139- 1278- 01    | Låsring .....                                     | Ring .....              |              |                     |
| X               | 25                  | 1                    |  |  | 1139- 1678- 01    | Låsring .....                                     | Ring .....              |              |                     |
|                 | 26                  | 2                    |  |  | 1139- 1444- 01    | Låsring .....                                     | Ring .....              |              |                     |
|                 | 27                  | 1                    |  |  | 1139- 0233- 01    | Kullager .....                                    | Ball bearing .....      |              |                     |
|                 | 28                  | 4                    |  |  | 1139- 1115- 01    | O- ring .....                                     | O- ring .....           |              |                     |
|                 | 29                  | 2                    |  |  | 1139- 1579- 01    | Packning.....                                     | Packing .....           |              |                     |
|                 | 30                  | 2                    |  |  | 1139- 1536- 01    | Skruv .....                                       | Bolt w/washer .....     |              |                     |



BL1012



| Utgåva<br>Issue |                     | Bildnr<br>Picture No |  | KANZAKI<br>HJULMOTOR<br>KWM 13S- 162A<br>AXEL KPL |                   | KANZAKI<br>WHEEL ENGINE<br>KWM 13S- 162A<br>AXLE ASSY |                      | Sida<br>Page |                     |
|-----------------|---------------------|----------------------|--|---|-------------------|---|----------------------|--------------|---------------------|
| 2010-71         |                     | BL1012               |  |   |                   |   |                      | 34           |                     |
| Pos.<br>Fig.    | Antal/Quantity      |                      |  |   | Art nr<br>Part No | Benämning   | Description          | Sats<br>Kit  | Anmärkning<br>Notes |
|                 | KWM<br>13S-<br>162A |                      |  |   |                   |   |                      |              |                     |
| X               | 1                   | 1                    |  |   | 1139-1634-01      | Axel kpl.....   | Axle assy.....       |              | Inkl. pos 2- 10     |
| X               | 2                   | 1                    |  |   | 1139-1635-01      | • Axelhus.....  | • Axle case.....     |              |                     |
| X               | 3                   | 2                    |  |   | 1139-1636-01      | • Packning.....                                       | • Packing.....       |              |                     |
| X               | 4                   | 1                    |  |   | 1139-1637-01      | • Lock.....   | • Seal cover.....    |              |                     |
| X               | 5                   | 1                    |  |   | 1139-1639-01      | • Kuggkrans.....                                      | • Internal gear..... |              |                     |
| X               | 6                   | 2                    |  |   | 1139-1166-01      | • Tapp.....   | • Pin.....           |              |                     |
| X               | 7                   | 1                    |  |   | 1139-1682-01      | • Packning.....                                       | • Packing.....       |              |                     |
| X               | 8                   | 1                    |  |   | 1139-1684-01      | • Tätningsring.....                                   | • Seal.....          |              |                     |
| X               | 9                   | 3                    |  |   | 1139-1688-01      | • Skruv.....  | • Bolt.....          |              |                     |
| X               | 10                  | 4                    |  |   | 1139-1691-01      | • Bult.....   | • Bolt.....          |              |                     |
| X               | 11                  | 1                    |  |   | 1139-1638-01      | Axel kpl.....   | Axle shaft assy..... |              | Inkl. pos 12- 27    |
| X               | 12                  | 3                    |  |   | 1139-1645-01      | • Drev kpl.....                                       | • Gear 1st assy..... |              | Inkl. pos 13- 14    |
| X               | 15                  | 1                    |  |   | 1139-1640-01      | • Drev.....   | • Sun gear 2nd.....  |              |                     |
| X               | 16                  | 3                    |  |   | 1139-1646-01      | • Drev kpl.....                                       | • Gear 2nd assy..... |              | Inkl. pos 17- 18    |
| X               | 19                  | 1                    |  |   | 1139-1643-01      | • Axel kpl.....                                       | • Shaft assy.....    |              | Inkl. pos 20- 21    |
| X               | 22                  | 1                    |  |   | 1139-1644-01      | • Medbringare kpl.....                                | • Carrier assy.....  |              | Inkl. pos 23- 24    |
| X               | 25                  | 1                    |  |   | 1139-1675-01      | • Kullager.....                                       | • Ball bearing.....  |              |                     |
| X               | 26                  | 1                    |  |   | 1139-1641-01      | • Platta.....   | • Plate.....         |              |                     |
| X               | 27                  | 1                    |  |   | 1139-1642-01      | • Lager.....  | • Bearing.....       |              |                     |

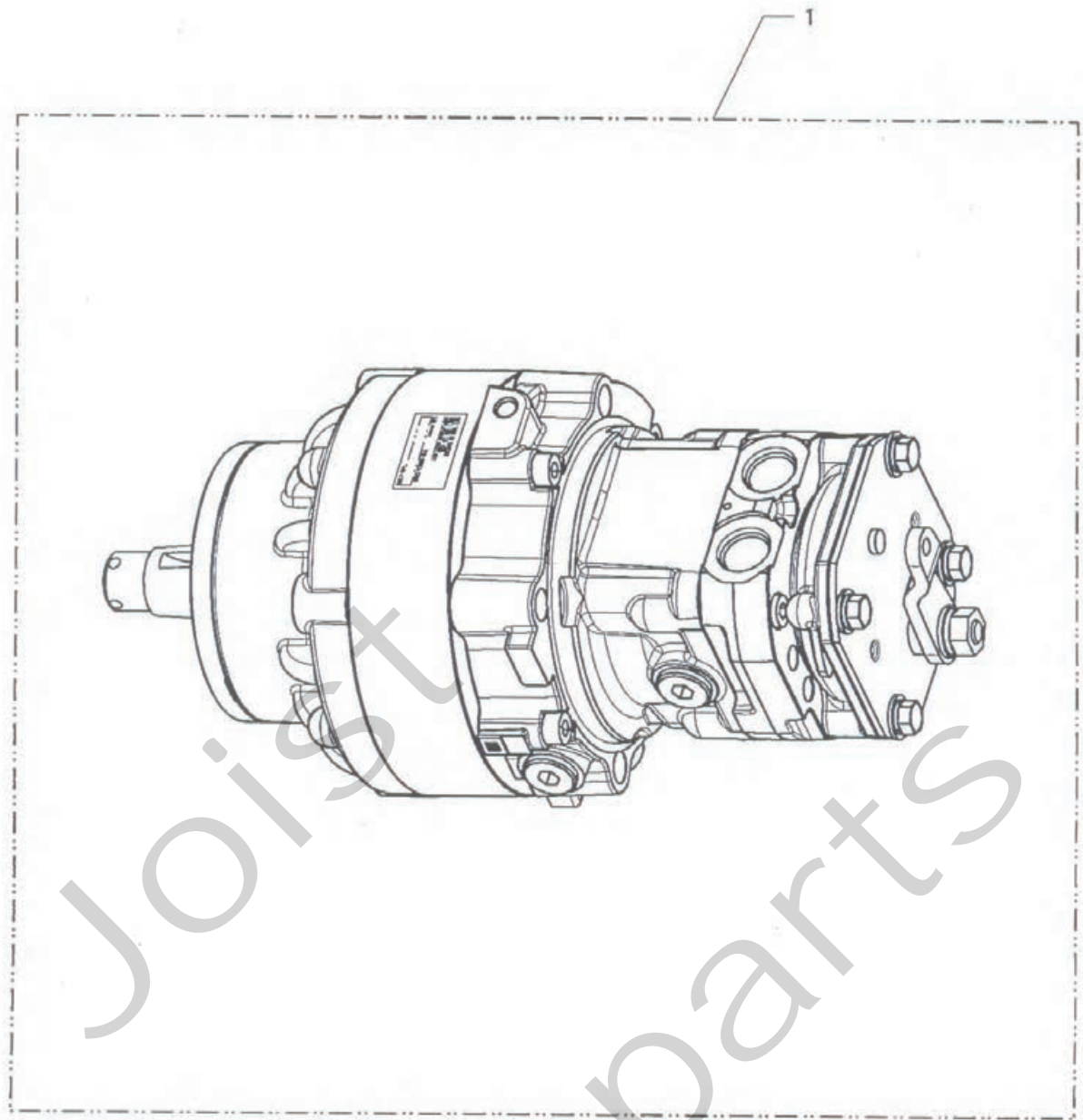


BL1013





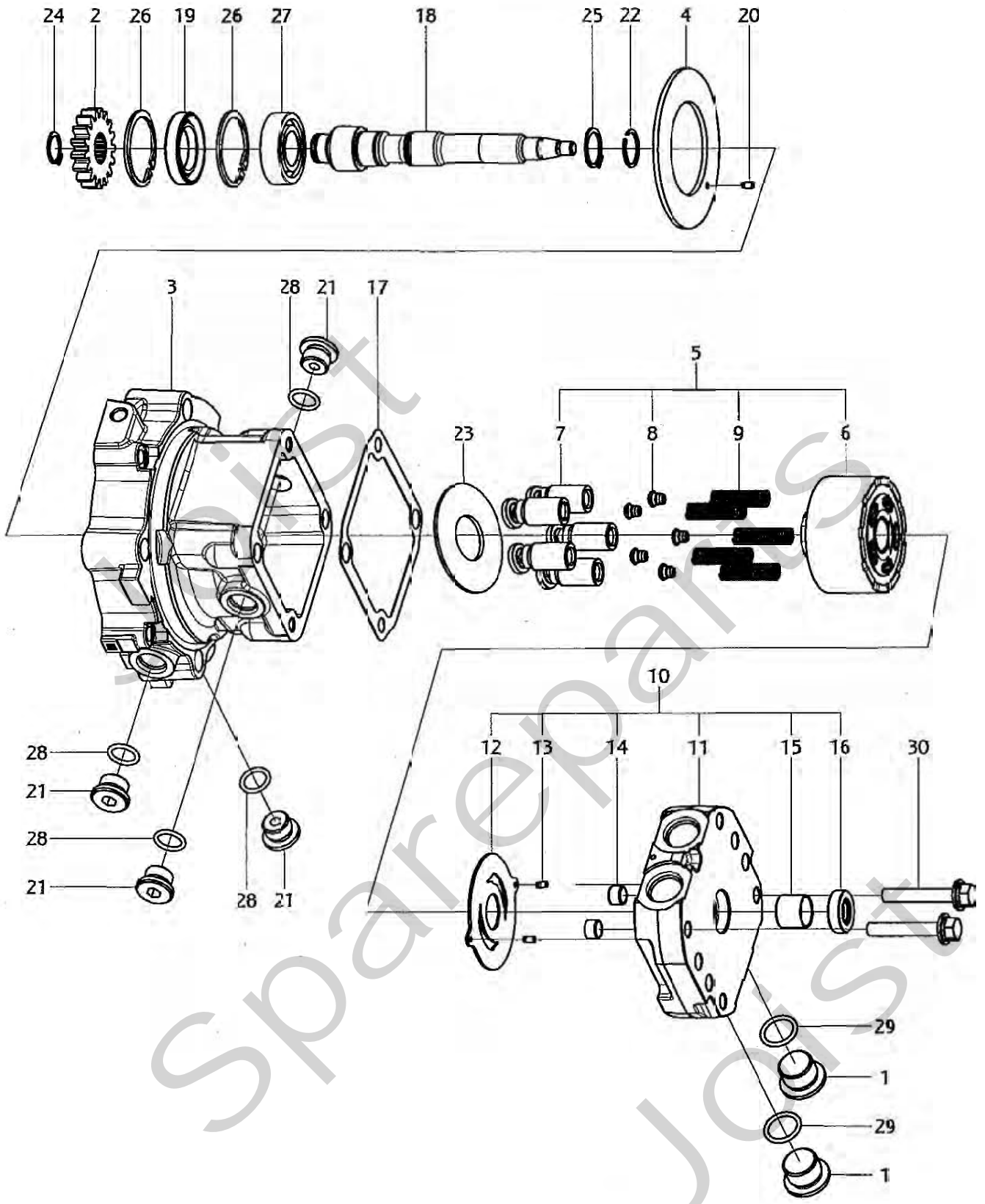
| Utgåva<br>Issue<br>2010-71 |                     | Bildnr<br>Picture No<br>BL1013 |  | KANZAKI<br>HJULMOTOR<br>KWM 13S- 162A<br>SERVICEDELAR |                   | KANZAKI<br>WHEEL ENGINE<br>KWM 13S- 162A<br>SERVICE PARTS |                    | Sida<br>Page<br>36 |                     |
|----------------------------|---------------------|--------------------------------|--|---|-------------------|---|--------------------|--------------------|---------------------|
| Pos.<br>Fig.               | Antal/Quantity      |                                |  |   | Art nr<br>Part No | Benämning   | Description        | Sats<br>Kit        | Anmärkning<br>Notes |
|                            | KWM<br>13S-<br>162A |                                |  |   |                   |   |                    |                    |                     |
| 1                          | 1                   |                                |  |   | 1139-1543-01      | Pluggsats.....  | Plug kit.....      |                    | Inkl. pos 2-5       |
| 2                          | 4                   |                                |  |   | 1139-1572-01      | • Plugg 3/8" .....  | • Plug 3/8" .....  |                    |                     |
| 3                          | 4                   |                                |  |   | 1139-1115-01      | • O-ring.....   | • O-ring .....     |                    |                     |
| 4                          | 2                   |                                |  |   | 1139-1569-01      | • Plugg 1/2" .....  | • Plug 1/2" .....  |                    |                     |
| 5                          | 2                   |                                |  |   | 1139-1579-01      | • Packning.....   | • Packing .....    |                    |                     |
| 6                          | 1                   |                                |  |   | 1139-1544-01      | Broms kpl.....  | Brake kit.....     |                    | Inkl. pos 7-15      |
| 7                          | 1                   |                                |  |   | 1139-1541-01      | • Broms.....  | • Brake .....      |                    |                     |
| 8                          | 1                   |                                |  |   | 1139-1578-01      | • Kil .....   | • Key .....        |                    |                     |
| 9                          | 1                   |                                |  |   | 1139-1580-01      | • Packning.....   | • Packing .....    |                    |                     |
| 10                         | 1                   |                                |  |   | 1139-1542-01      | • Bromshus .....  | • Brake case ..... |                    |                     |
| 11                         | 1                   |                                |  |   | 1139-1582-01      | • Packning.....   | • Packing .....    |                    |                     |
| 12                         | 1                   |                                |  |   | 1139-1577-01      | • Bricka .....  | • Washer .....     |                    |                     |
| 13                         | 1                   |                                |  |   | 1139-1589-01      | • Mutter.....   | • Nut .....        |                    |                     |
| 14                         | 2                   |                                |  |   | 1139-1584-01      | • Skruv .....   | • Bolt .....       |                    |                     |
| 15                         | 3                   |                                |  |   | 1139-1583-01      | • Skruv .....   | • Bolt .....       |                    |                     |



BL1018



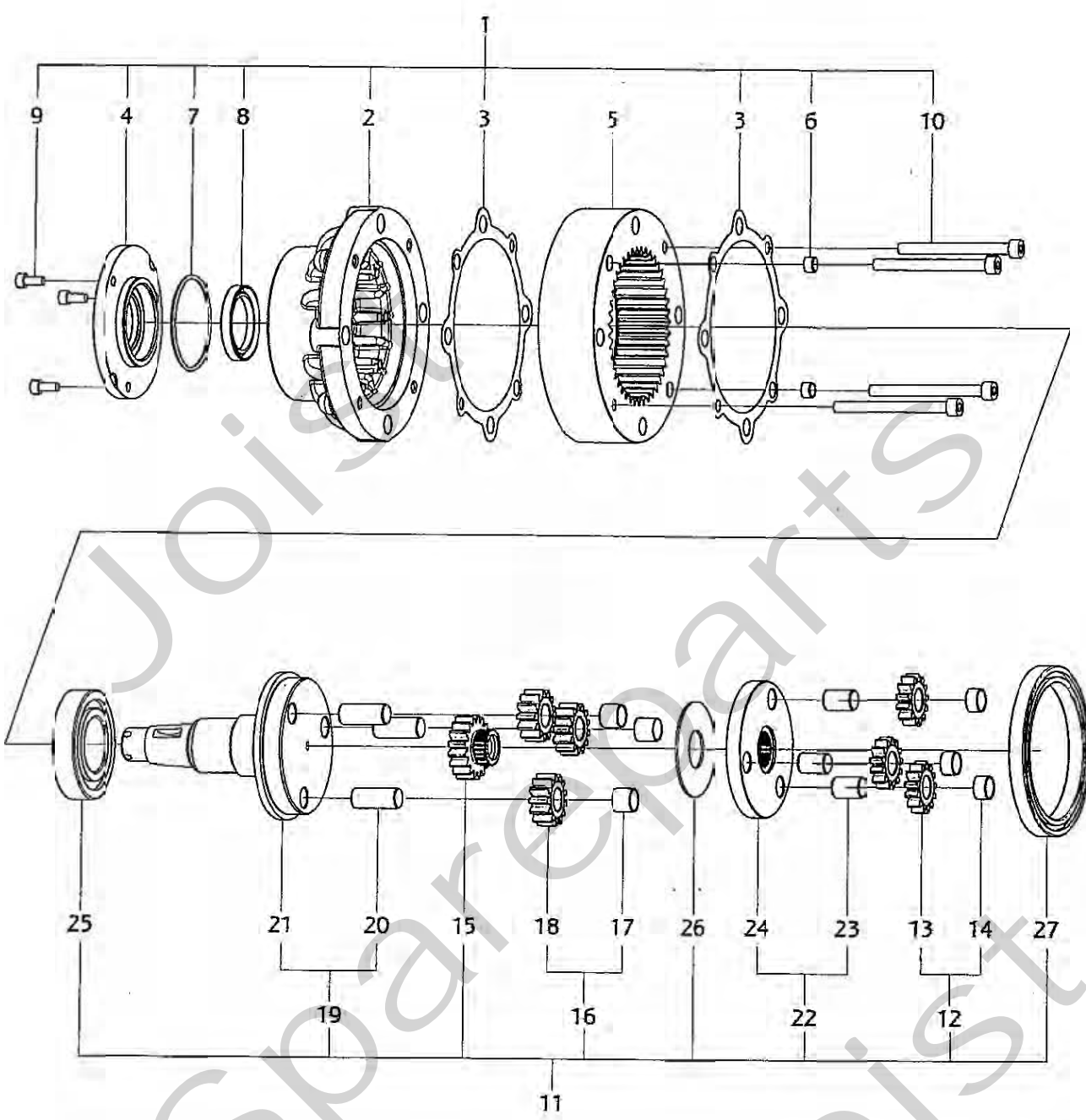
| Utgåva<br>Issue |                     | Bildnr<br>Picture No |  | KANZAKI<br>HJULMOTOR<br>KWM 13S- 162B<br>MOTOR KPL- BROMS |                   | KANZAKI<br>WHEEL ENGINE<br>KWM 13S- 162B<br>MOTOR ASSY- BRAKE |                       | Sida<br>Page |                     |
|-----------------|---------------------|----------------------|--|---|-------------------|---|-----------------------|--------------|---------------------|
| 2010- 71        |                     | BL1018               |  |   |                   |   |                       | 38           |                     |
| Pos.<br>Fig.    | Antal/Quantity      |                      |  |   | Art nr<br>Part No | Benämning   | Description           | Sats<br>Kit  | Anmärkning<br>Notes |
|                 | KWM<br>13S-<br>162B |                      |  |   |                   |   |                       |              |                     |
| X               | A01                 | 1                    |  |   |                   | 1135- 2825- 01 Hydraulmotor .....                             | Hydraulic motor ..... |              | KWM 13S- 162B       |
| X               | B01                 | 1                    |  |   |                   | 1139- 1609- 01 Broms kpl .....                                | Brake assy .....      |              |                     |
| X               | B02                 | 1                    |  |   |                   | 1139- 1650- 01 Bromshus .....                                 | Brake case .....      |              |                     |
|                 | B03                 | 1                    |  |   |                   | 1139- 1577- 01 Bricka .....                                   | Washer .....          |              |                     |
|                 | B04                 | 1                    |  |   |                   | 1139- 1578- 01 Kil .....                                      | Key .....             |              |                     |
|                 | B05                 | 1                    |  |   |                   | 1139- 1580- 01 Packning .....                                 | Packing .....         |              |                     |
| X               | B06                 | 1                    |  |   |                   | 1139- 1651- 01 Packning .....                                 | Packing .....         |              |                     |
| X               | B07                 | 2                    |  |   |                   | 1139- 1685- 01 Skruv .....                                    | Bolt .....            |              |                     |
| X               | B08                 | 2                    |  |   |                   | 1139- 1686- 01 Skruv .....                                    | Bolt .....            |              |                     |
|                 | B09                 | 1                    |  |   |                   | 1139- 1589- 01 Mutter .....                                   | Nut .....             |              |                     |



BL1014



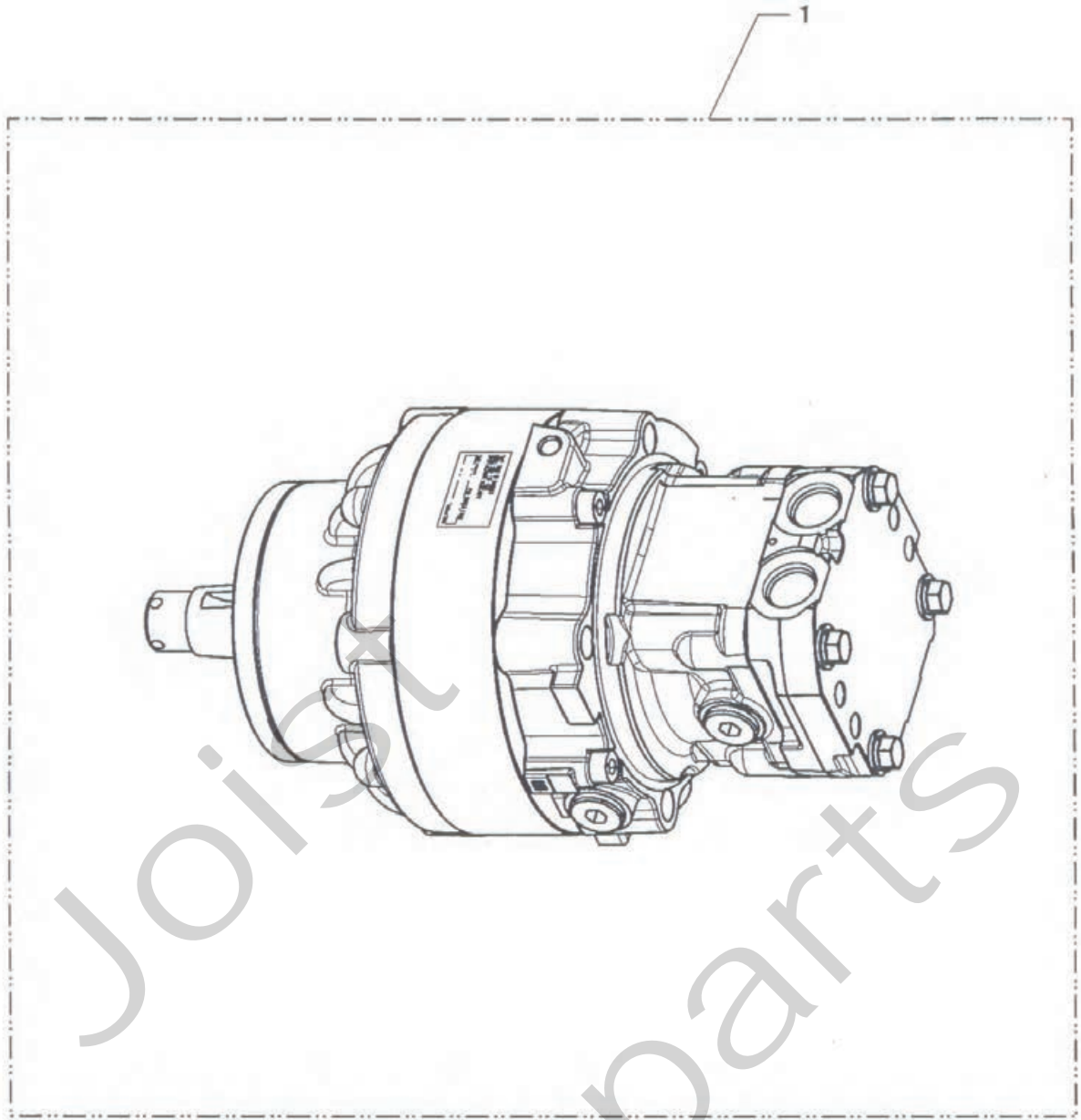
| Utgåva<br>Issue |                     | Bildnr<br>Picture No |  | KANZAKI<br>HJULMOTOR<br>KWM 13S- 162B<br>MOTOR |                   | KANZAKI<br>WHEEL ENGINE<br>KWM 13S- 162B<br>MOTOR |                         | Sida<br>Page |                     |
|-----------------|---------------------|----------------------|--|--|-------------------|---|-------------------------|--------------|---------------------|
| 2010-71         |                     | BL1014               |  |  |                   |   |                         | 40           |                     |
| Pos.<br>Fig.    | Antal/Quantity      |                      |  |  | Art nr<br>Part No | Benämning   | Description             | Sats<br>Kit  | Anmärkning<br>Notes |
|                 | KWM<br>13S-<br>162B |                      |  |  |                   |   |                         |              |                     |
| X               | 1                   | 2                    |  |  | 1139- 1569- 01    | Plugg 1/2" .....                                  | Plug 1/2" .....         |              |                     |
| X               | 2                   | 1                    |  |  | 1139- 1625- 01    | Drev .....  | Sun gear .....          |              |                     |
| X               | 3                   | 1                    |  |  | 1139- 1626- 01    | Hus .....   | Housing .....           |              |                     |
| X               | 4                   | 1                    |  |  | 1139- 1627- 01    | Platta .....                                      | Plate .....             |              |                     |
| X               | 5                   | 1                    |  |  | 1139- 1628- 01    | Tryckblock kpl.....                               | Plunger block assy..... |              |                     |
| X               | 10                  | 1                    |  |  | 1139- 1649- 01    | Centrumhus kpl.....                               | Center case assy .....  |              | Inkl. pos 6- 9      |
| X               | 12                  | 1                    |  |  | 1139- 1630- 01    | • Ventilplatta .....                              | • Valve plate .....     |              | Inkl. pos 11- 16    |
|                 | 13                  | 2                    |  |  | 1139- 1058- 01    | • Stift .....                                     | • Knock pin .....       |              |                     |
|                 | 14                  | 2                    |  |  | 1139- 1166- 01    | • Tapp .....                                      | • Pin .....             |              |                     |
| X               | 16                  | 1                    |  |  | 1139- 1614- 01    | • Tätningsring .....                              | • Seal .....            |              |                     |
| X               | 17                  | 1                    |  |  | 1139- 1631- 01    | Packning .....                                    | Packing .....           |              |                     |
| X               | 18                  | 1                    |  |  | 1139- 1632- 01    | Axel .....  | Shaft .....             |              |                     |
| X               | 19                  | 1                    |  |  | 1139- 1633- 01    | Tätningring .....                                 | Oil seal .....          |              |                     |
|                 | 20                  | 1                    |  |  | 1139- 1058- 01    | Stift .....                                       | Knock pin .....         |              |                     |
|                 | 21                  | 4                    |  |  | 1139- 1572- 01    | Plugg 3/8" .....                                  | Plug 3/8" .....         |              |                     |
| X               | 22                  | 1                    |  |  | 1139- 1615- 01    | Hållare .....                                     | Retainer .....          |              |                     |
| X               | 23                  | 1                    |  |  | 1139- 1616- 01    | Tryckbricka .....                                 | Thrust plate .....      |              |                     |
|                 | 24                  | 1                    |  |  | 1139- 1278- 01    | Låsring .....                                     | Ring .....              |              |                     |
| X               | 25                  | 1                    |  |  | 1139- 1678- 01    | Låsring .....                                     | Ring .....              |              |                     |
|                 | 26                  | 2                    |  |  | 1139- 1444- 01    | Låsring .....                                     | Ring .....              |              |                     |
|                 | 27                  | 1                    |  |  | 1139- 0233- 01    | Kullager .....                                    | Ball bearing .....      |              |                     |
|                 | 28                  | 4                    |  |  | 1139- 1115- 01    | O- ring .....                                     | O- ring .....           |              |                     |
|                 | 29                  | 2                    |  |  | 1139- 1579- 01    | Packning.....                                     | Packing .....           |              |                     |
| X               | 30                  | 2                    |  |  | 1139- 1690- 01    | Bult .....  | Bolt .....              |              |                     |



BL1012



| Utgåva<br>Issue |                     | Bildnr<br>Picture No |  | KANZAKI<br>HJULMOTOR<br>KWM 13S- 162B<br>AXEL KPL |                   | KANZAKI<br>WHEEL ENGINE<br>KWM 13S- 162B<br>AXLE ASSY |                      | Sida<br>Page |                     |
|-----------------|---------------------|----------------------|--|---|-------------------|---|----------------------|--------------|---------------------|
| 2010-71         |                     | BL1012               |  |   |                   |   |                      | 42           |                     |
| Pos.<br>Fig.    | Antal/Quantity      |                      |  |   | Art nr<br>Part No | Benämning   | Description          | Sats<br>Kit  | Anmärkning<br>Notes |
|                 | KWM<br>13S-<br>162B |                      |  |   |                   |   |                      |              |                     |
| X               | 1                   | 1                    |  |   | 1139-1634-01      | Axel kpl.....   | Axle assy.....       |              | Inkl. pos 2- 10     |
| X               | 2                   | 1                    |  |   | 1139-1635-01      | • Axelhus.....  | • Axle case.....     |              |                     |
| X               | 3                   | 2                    |  |   | 1139-1636-01      | • Packning.....                                       | • Packing.....       |              |                     |
| X               | 4                   | 1                    |  |   | 1139-1637-01      | • Lock.....   | • Seal cover.....    |              |                     |
| X               | 5                   | 1                    |  |   | 1139-1639-01      | • Kuggkrans.....                                      | • Internal gear..... |              |                     |
| X               | 6                   | 2                    |  |   | 1139-1166-01      | • Tapp.....   | • Pin.....           |              |                     |
| X               | 7                   | 1                    |  |   | 1139-1682-01      | • Packning.....                                       | • Packing.....       |              |                     |
| X               | 8                   | 1                    |  |   | 1139-1684-01      | • Tätningsring.....                                   | • Seal.....          |              |                     |
| X               | 9                   | 3                    |  |   | 1139-1688-01      | • Skruv.....  | • Bolt.....          |              |                     |
| X               | 10                  | 4                    |  |   | 1139-1691-01      | • Bult.....   | • Bolt.....          |              |                     |
| X               | 11                  | 1                    |  |   | 1139-1638-01      | Axel kpl.....   | Axle shaft assy..... |              | Inkl. pos 12- 27    |
| X               | 12                  | 3                    |  |   | 1139-1645-01      | • Drev kpl.....                                       | • Gear 1st assy..... |              | Inkl. pos 13- 14    |
| X               | 15                  | 1                    |  |   | 1139-1640-01      | • Drev.....   | • Sun gear 2nd.....  |              |                     |
| X               | 16                  | 3                    |  |   | 1139-1646-01      | • Drev kpl.....                                       | • Gear 2nd assy..... |              | Inkl. pos 17- 18    |
| X               | 19                  | 1                    |  |   | 1139-1643-01      | • Axel kpl.....                                       | • Shaft assy.....    |              | Inkl. pos 20- 21    |
| X               | 22                  | 1                    |  |   | 1139-1644-01      | • Medbringare kpl.....                                | • Carrier assy.....  |              | Inkl. pos 23- 24    |
| X               | 25                  | 1                    |  |   | 1139-1675-01      | • Kullager.....                                       | • Ball bearing.....  |              |                     |
| X               | 26                  | 1                    |  |   | 1139-1641-01      | • Platta.....   | • Plate.....         |              |                     |
| X               | 27                  | 1                    |  |   | 1139-1642-01      | • Lager.....  | • Bearing.....       |              |                     |



Joist Spareparts Joist

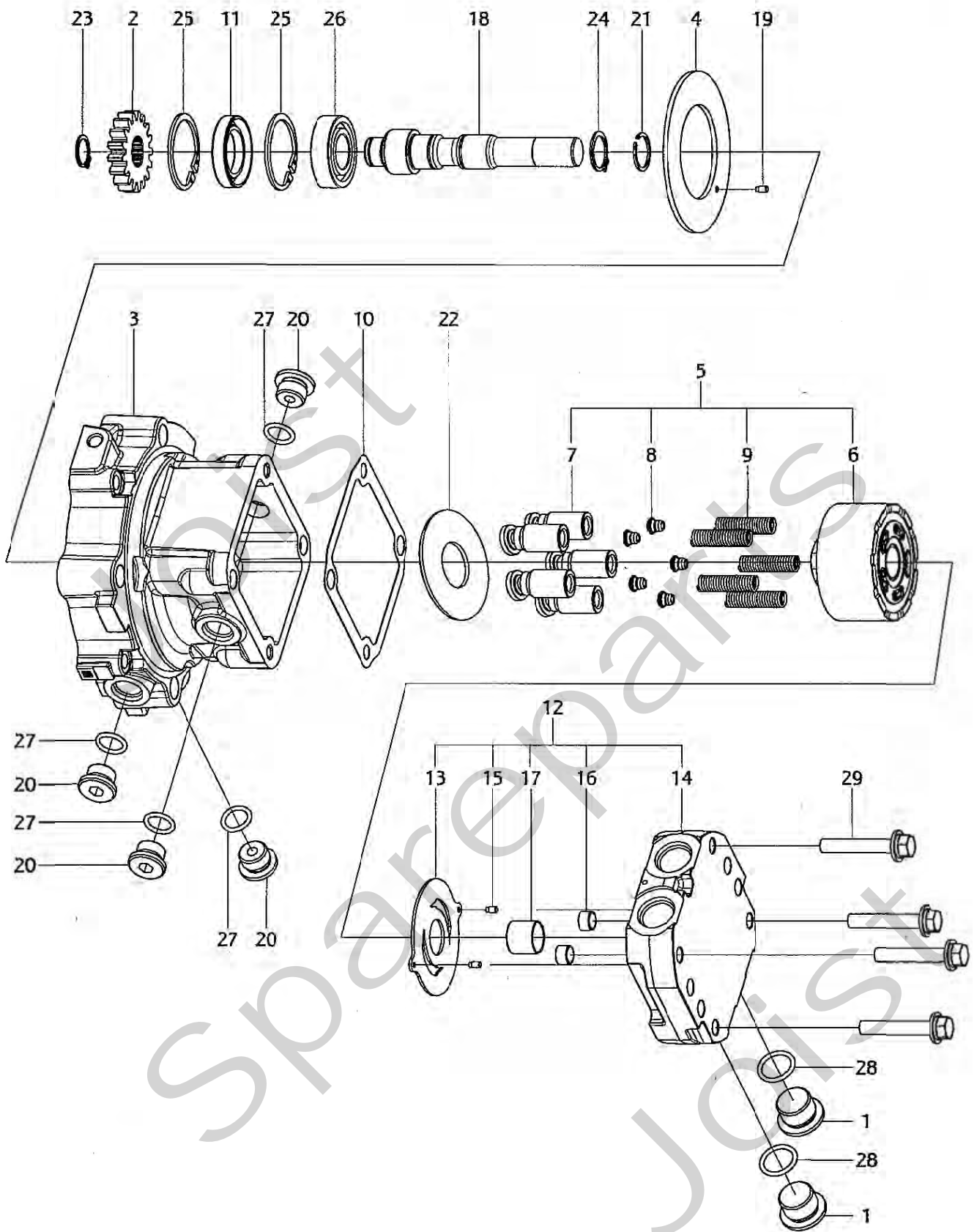


BL1019





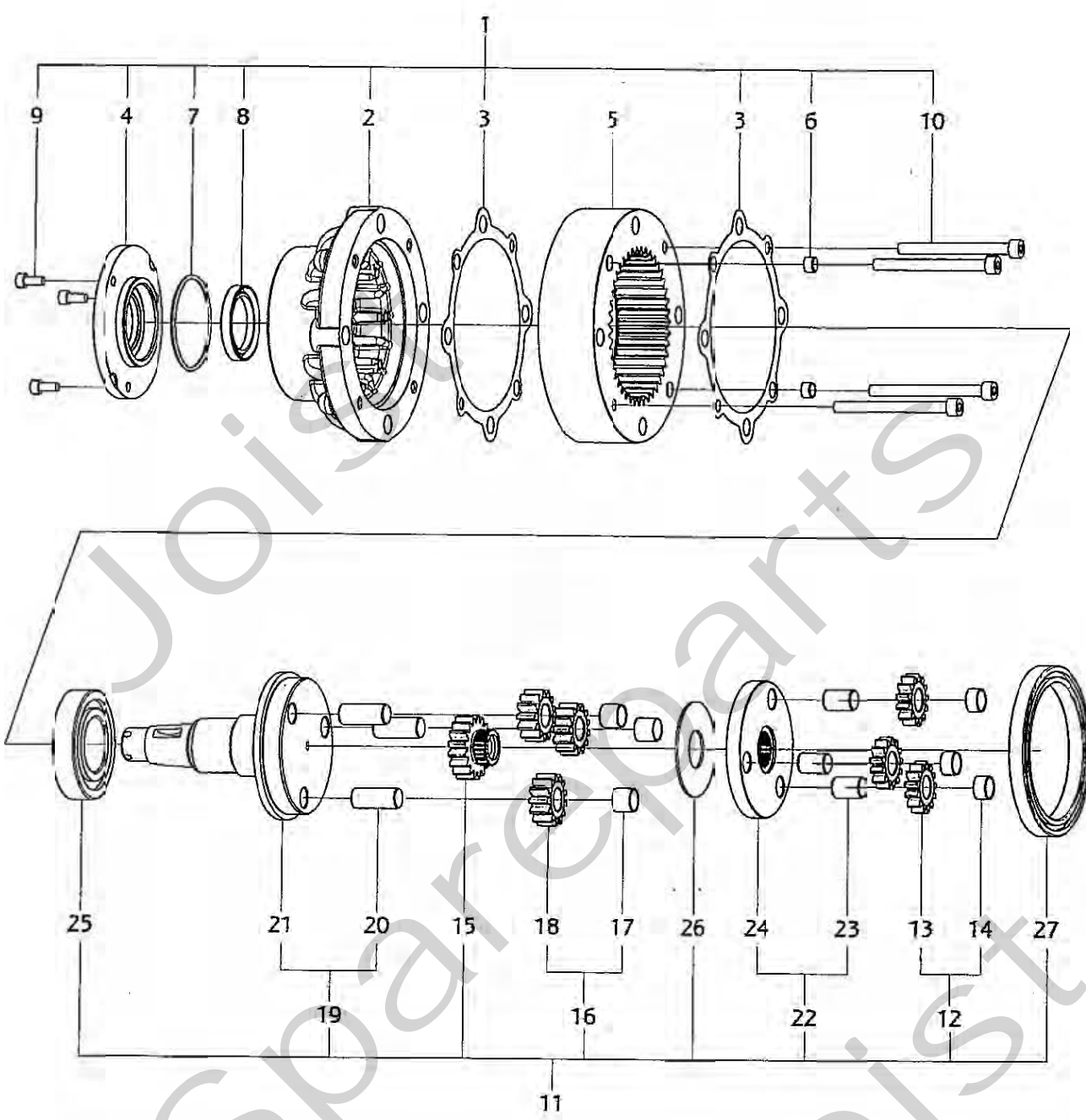
| Utgåva<br>Issue<br>2010-71 |                     | Bildnr<br>Picture No<br>BL1019 |  | KANZAKI<br>HJULMOTOR<br>KWM 13S-162N<br>MOTOR KPL |                   | KANZAKI<br>WHEEL ENGINE<br>KWM 13S-162N<br>MOTOR ASSY |                       | Sida<br>Page<br>44 |                     |
|----------------------------|---------------------|--------------------------------|--|---|-------------------|---|-----------------------|--------------------|---------------------|
| Pos.<br>Fig.               | Antal/Quantity      |                                |  |   | Art nr<br>Part No | Benämning   | Description           | Sats<br>Kit        | Anmärkning<br>Notes |
|                            | KWM<br>13S-<br>162N |                                |  |   |                   |   |                       |                    |                     |
| 1                          | 1                   |                                |  |   | 1134-7016-01      | Hydraulmotor .....                                    | Hydraulic motor ..... |                    | KWM 13S-162N        |



BL1015



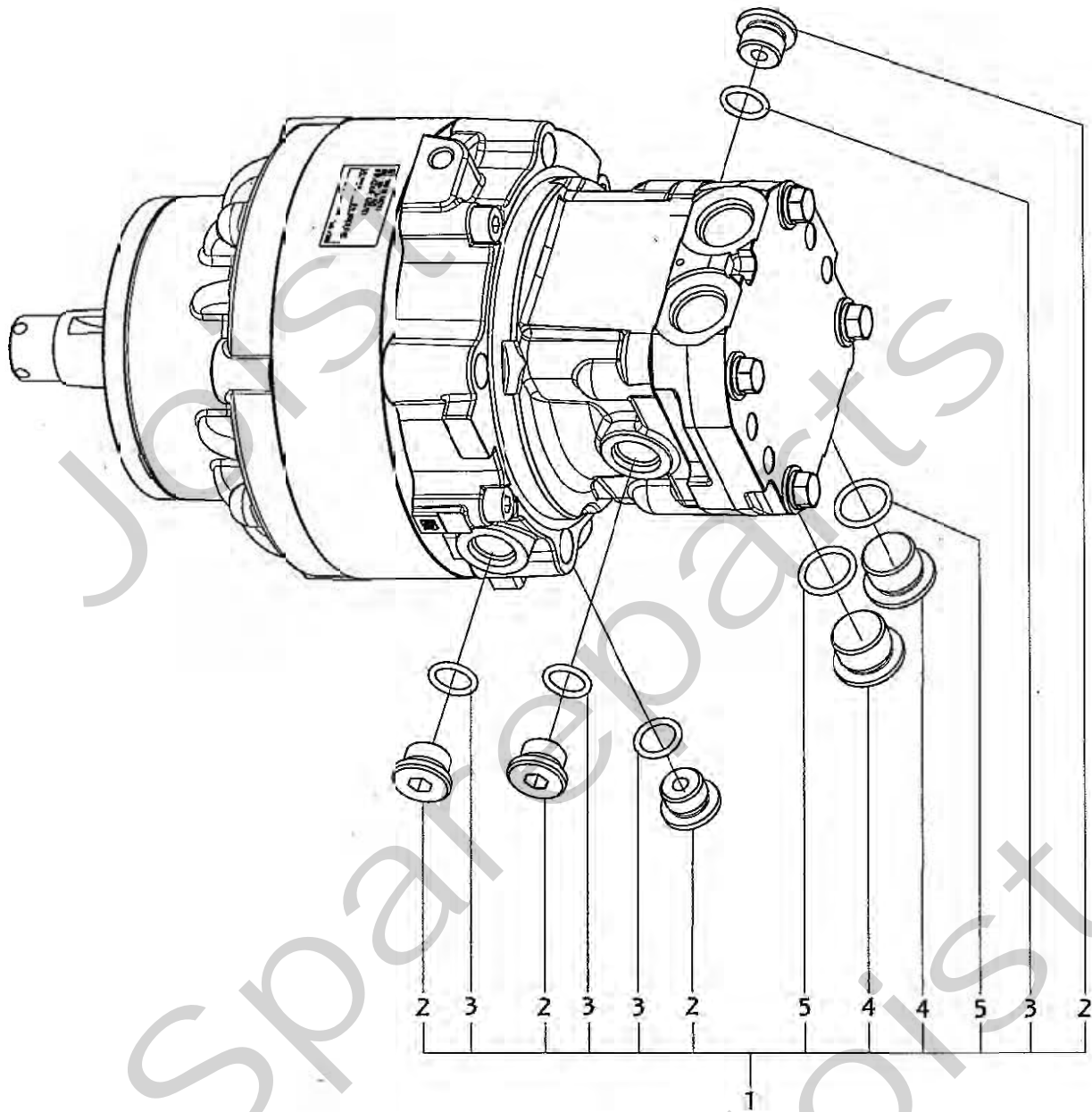
| Utgåva<br>Issue |                     | Bildnr<br>Picture No |  | KANZAKI<br>HJULMOTOR<br>KWM 13S- 162N<br>MOTOR |                   | KANZAKI<br>WHEEL ENGINE<br>KWM 13S- 162N<br>MOTOR |                         | Sida<br>Page |                     |
|-----------------|---------------------|----------------------|--|--|-------------------|---|-------------------------|--------------|---------------------|
| 2010- 71        |                     | BL1015               |  |  |                   |   |                         | 46           |                     |
| Pos.<br>Fig.    | Antal/Quantity      |                      |  |  | Art nr<br>Part No | Benämning   | Description             | Sats<br>Kit  | Anmärkning<br>Notes |
|                 | KWM<br>13S-<br>162N |                      |  |  |                   |   |                         |              |                     |
| X               | 1                   | 2                    |  |  | 1139- 1569- 01    | Plugg 1/2" .....                                  | Plug 1/2" .....         |              |                     |
| X               | 2                   | 1                    |  |  | 1139- 1625- 01    | Drev .....  | Sun gear .....          |              |                     |
| X               | 3                   | 1                    |  |  | 1139- 1626- 01    | Hus .....   | Housing .....           |              |                     |
| X               | 4                   | 1                    |  |  | 1139- 1627- 01    | Platta .....                                      | Plate .....             |              |                     |
| X               | 5                   | 1                    |  |  | 1139- 1628- 01    | Tryckblock kpl.....                               | Plunger block assy..... |              | Inkl. pos 6- 9      |
| X               | 10                  | 1                    |  |  | 1139- 1631- 01    | Packning.....                                     | Packing .....           |              |                     |
| X               | 11                  | 1                    |  |  | 1139- 1633- 01    | Tätningring .....                                 | Oil seal .....          |              |                     |
| X               | 12                  | 1                    |  |  | 1139- 1647- 01    | Centrumhus kpl.....                               | Center case assy .....  |              | Inkl. pos 13- 17    |
| X               | 13                  | 1                    |  |  | 1139- 1630- 01    | • Ventilplatta .....                              | • Valve plate .....     |              |                     |
|                 | 15                  | 2                    |  |  | 1139- 1058- 01    | • Stift.....                                      | • Knock pin .....       |              |                     |
|                 | 16                  | 2                    |  |  | 1139- 1166- 01    | • Tapp.....                                       | • Pin.....              |              |                     |
| X               | 18                  | 1                    |  |  | 1139- 1648- 01    | Axel .....  | Shaft .....             |              |                     |
|                 | 19                  | 1                    |  |  | 1139- 1058- 01    | Stift.....  | Knock pin .....         |              |                     |
|                 | 20                  | 4                    |  |  | 1139- 1572- 01    | Plugg 3/8".....                                   | Plug 3/8" .....         |              |                     |
| X               | 21                  | 1                    |  |  | 1139- 1615- 01    | Hållare .....                                     | Retainer .....          |              |                     |
| X               | 22                  | 1                    |  |  | 1139- 1616- 01    | Tryckbricka .....                                 | Thrust plate .....      |              |                     |
|                 | 23                  | 1                    |  |  | 1139- 1278- 01    | Låsring .....                                     | Ring .....              |              |                     |
| X               | 24                  | 1                    |  |  | 1139- 1678- 01    | Låsring .....                                     | Ring .....              |              |                     |
|                 | 25                  | 2                    |  |  | 1139- 1444- 01    | Låsring .....                                     | Ring .....              |              |                     |
|                 | 26                  | 1                    |  |  | 1139- 0233- 01    | Kullager .....                                    | Ball bearing .....      |              |                     |
|                 | 27                  | 4                    |  |  | 1139- 1115- 01    | O- ring .....                                     | O- ring .....           |              |                     |
|                 | 28                  | 2                    |  |  | 1139- 1579- 01    | Packning.....                                     | Packing .....           |              |                     |
|                 | 29                  | 4                    |  |  | 1139- 1536- 01    | Skruv .....                                       | Bolt w/washer .....     |              |                     |



BL1012



| Utgåva<br>Issue |                     | Bildnr<br>Picture No |  | KANZAKI<br>HJULMOTOR<br>KWM 13S- 162N<br>AXEL KPL |                   | KANZAKI<br>WHEEL ENGINE<br>KWM 13S- 162N<br>AXLE ASSY |                      | Sida<br>Page |                     |
|-----------------|---------------------|----------------------|--|---|-------------------|---|----------------------|--------------|---------------------|
| 2010-71         |                     | BL1012               |  |   |                   |   |                      | 48           |                     |
| Pos.<br>Fig.    | Antal/Quantity      |                      |  |   | Art nr<br>Part No | Benämning   | Description          | Sats<br>Kit  | Anmärkning<br>Notes |
|                 | KWM<br>13S-<br>162N |                      |  |   |                   |   |                      |              |                     |
| X               | 1                   | 1                    |  |   | 1139- 1634- 01    | Axel kpl.....   | Axle assy.....       |              | Inkl. pos 2- 10     |
| X               | 2                   | 1                    |  |   | 1139- 1635- 01    | • Axelhus.....  | • Axle case.....     |              |                     |
| X               | 3                   | 2                    |  |   | 1139- 1636- 01    | • Packning.....                                       | • Packing.....       |              |                     |
| X               | 4                   | 1                    |  |   | 1139- 1637- 01    | • Lock.....   | • Seal cover.....    |              |                     |
| X               | 5                   | 1                    |  |   | 1139- 1639- 01    | • Kuggkrans.....                                      | • Internal gear..... |              |                     |
| X               | 6                   | 2                    |  |   | 1139- 1166- 01    | • Tapp.....   | • Pin.....           |              |                     |
| X               | 7                   | 1                    |  |   | 1139- 1682- 01    | • Packning.....                                       | • Packing.....       |              |                     |
| X               | 8                   | 1                    |  |   | 1139- 1684- 01    | • Tätningsring.....                                   | • Seal.....          |              |                     |
| X               | 9                   | 3                    |  |   | 1139- 1688- 01    | • Skruv.....  | • Bolt.....          |              |                     |
| X               | 10                  | 4                    |  |   | 1139- 1691- 01    | • Bult.....   | • Bolt.....          |              |                     |
| X               | 11                  | 1                    |  |   | 1139- 1638- 01    | Axel kpl.....   | Axle shaft assy..... |              | Inkl. pos 12- 27    |
| X               | 12                  | 3                    |  |   | 1139- 1645- 01    | • Drev kpl.....                                       | • Gear 1st assy..... |              | Inkl. pos 13- 14    |
| X               | 15                  | 1                    |  |   | 1139- 1640- 01    | • Drev.....   | • Sun gear 2nd.....  |              |                     |
| X               | 16                  | 3                    |  |   | 1139- 1646- 01    | • Drev kpl.....                                       | • Gear 2nd assy..... |              | Inkl. pos 17- 18    |
| X               | 19                  | 1                    |  |   | 1139- 1643- 01    | • Axel kpl.....                                       | • Shaft assy.....    |              | Inkl. pos 20- 21    |
| X               | 22                  | 1                    |  |   | 1139- 1644- 01    | • Medbringare kpl.....                                | • Carrier assy.....  |              | Inkl. pos 23- 24    |
| X               | 25                  | 1                    |  |   | 1139- 1675- 01    | • Kullager.....                                       | • Ball bearing.....  |              |                     |
| X               | 26                  | 1                    |  |   | 1139- 1641- 01    | • Platta.....   | • Plate.....         |              |                     |
| X               | 27                  | 1                    |  |   | 1139- 1642- 01    | • Lager.....  | • Bearing.....       |              |                     |



BL1016



| Utgåva<br>Issue<br>2010-71 |                     | Bildnr<br>Picture No<br>BL1016 |  | KANZAKI<br>HJULMOTOR<br>KWM 13S-162N<br>SERVICEDELAR |                   | KANZAKI<br>WHEEL ENGINE<br>KWM 13S-162N<br>SERVICE PARTS |                   | Sida<br>Page<br>50 |                     |
|----------------------------|---------------------|--------------------------------|--|--|-------------------|--|-------------------|--------------------|---------------------|
| Pos.<br>Fig.               | Antal/Quantity      |                                |  |  | Art nr<br>Part No | Benämning  | Description       | Sats<br>Kit        | Anmärkning<br>Notes |
|                            | KWM<br>13S-<br>162N |                                |  |  |                   |  |                   |                    |                     |
| 1                          | 1                   |                                |  |  | 1139-1543-01      | Pluggsats.....   | Plug kit.....     |                    | Inkl. pos 2-5       |
| 2                          | 4                   |                                |  |  | 1139-1572-01      | • Plugg 3/8" .....                                       | • Plug 3/8" ..... |                    |                     |
| 3                          | 4                   |                                |  |  | 1139-1115-01      | • O-ring.....  | • O-ring .....    |                    |                     |
| 4                          | 2                   |                                |  |  | 1139-1569-01      | • Plugg 1/2" .....                                       | • Plug 1/2" ..... |                    |                     |
| 5                          | 2                   |                                |  |  | 1139-1579-01      | • Packning.....  | • Packing .....   |                    |                     |