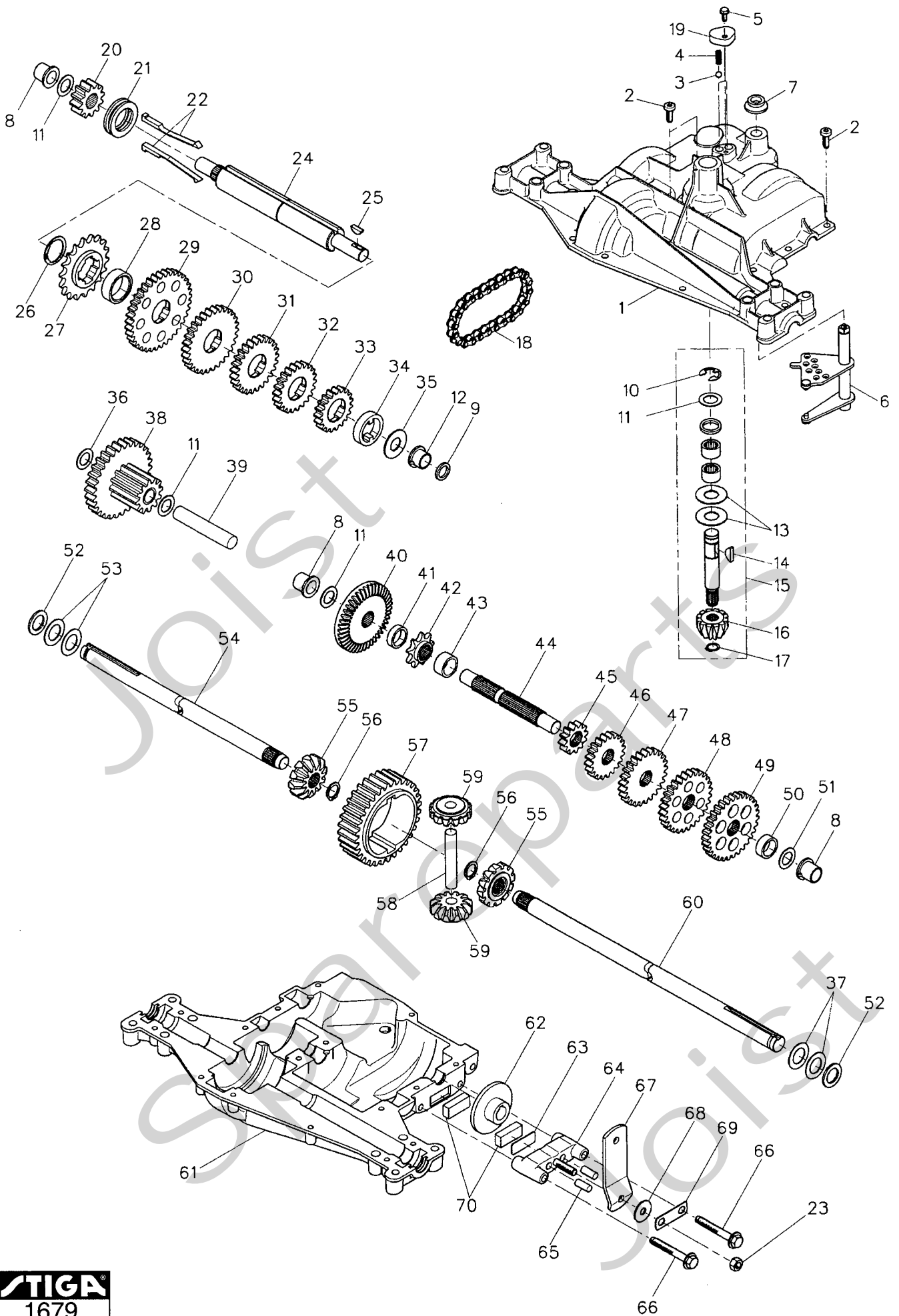


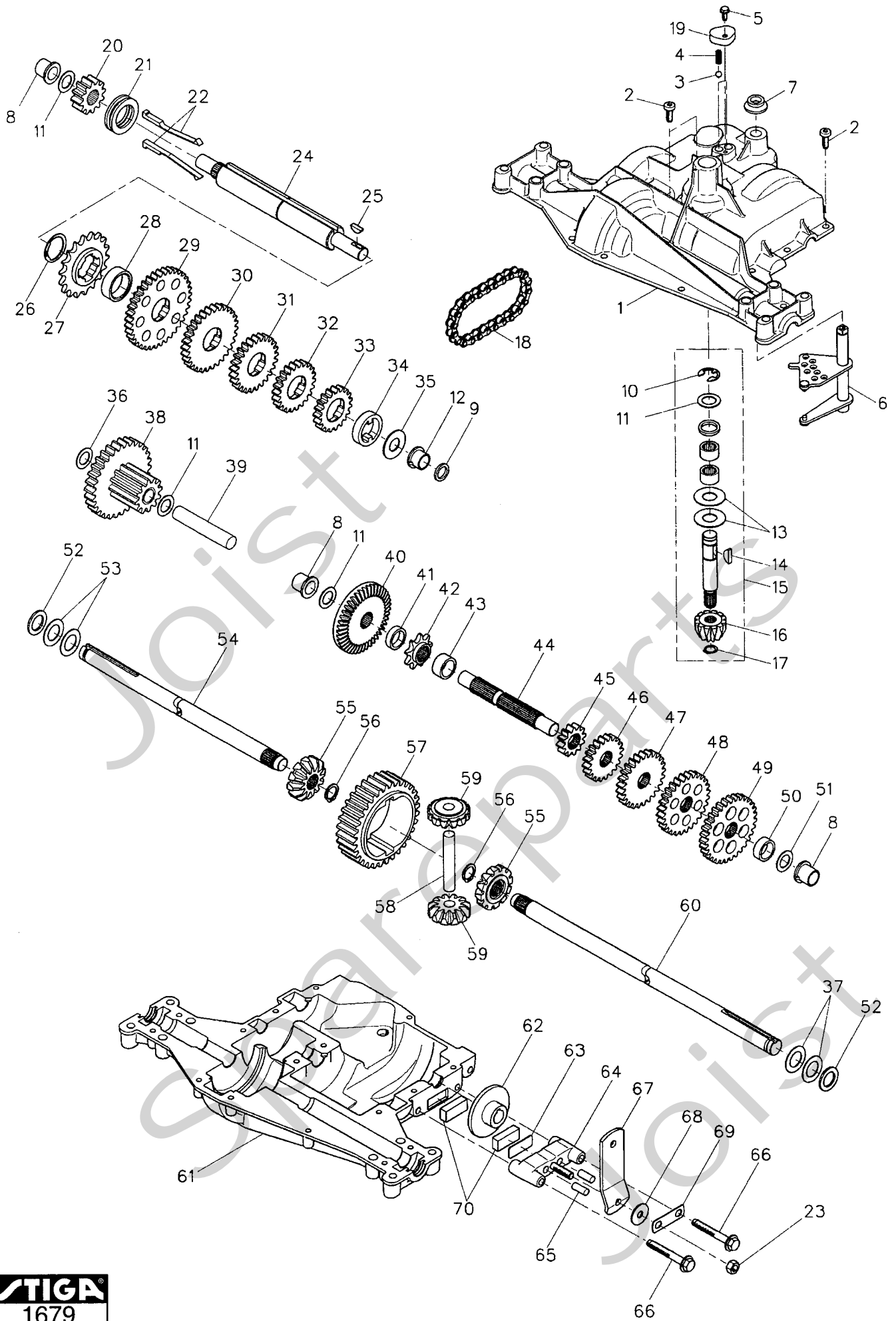
Genuine Spare Parts



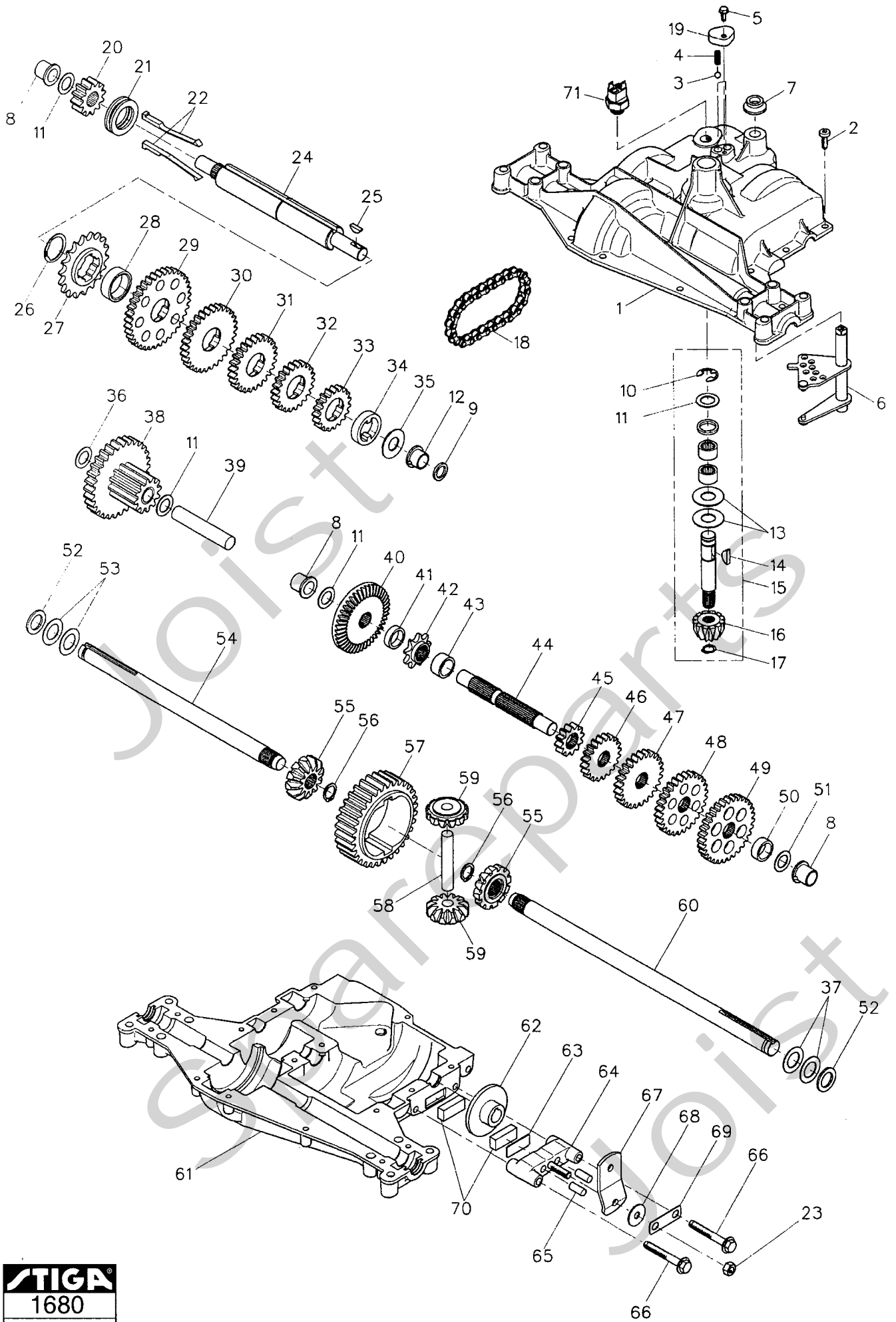
Joist
Spareparts
Joist



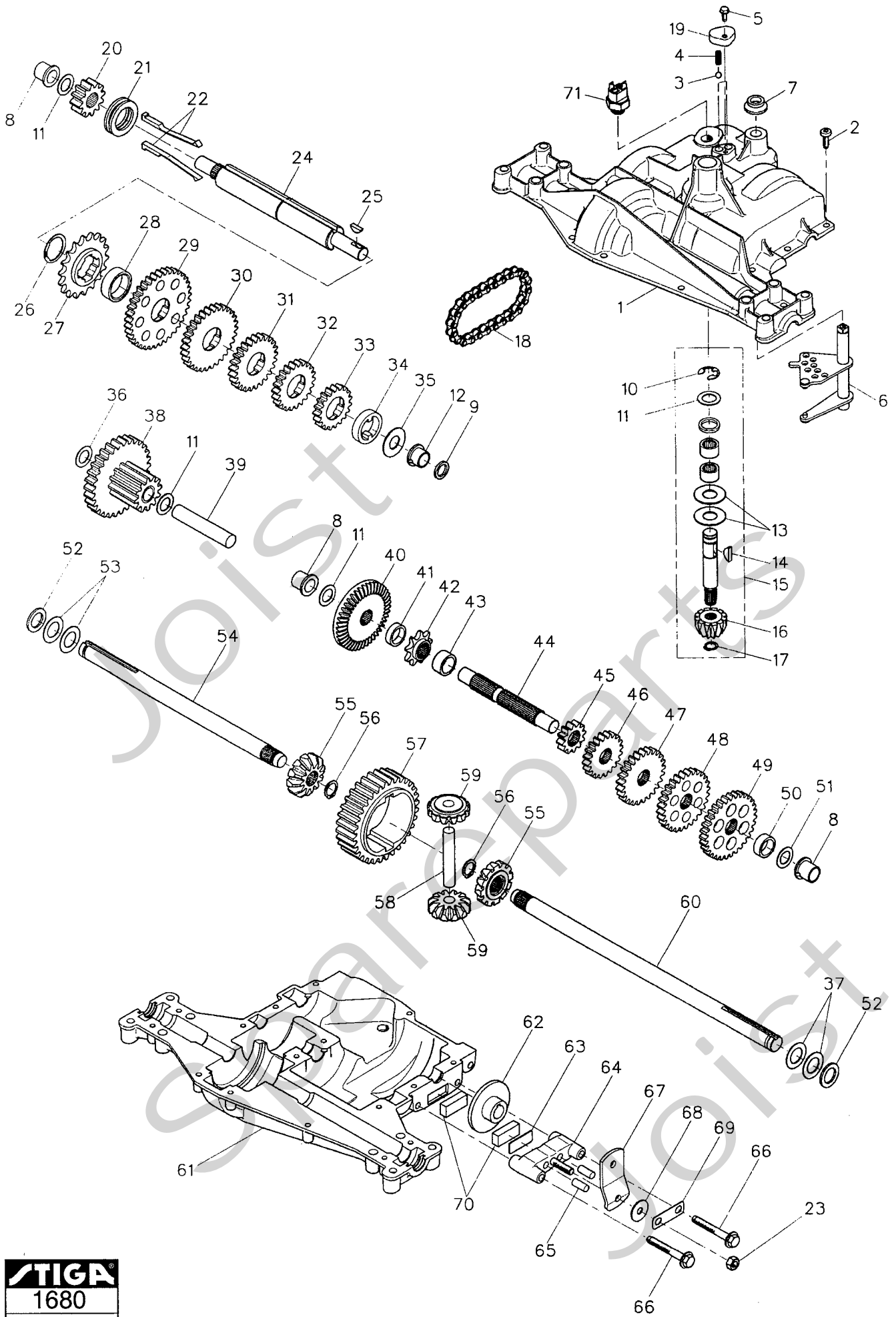
| Utgåva Issue | | Bildnr Picture No | | DANA TRANSAXEL 4360-197 | | DANA TRANSAXLE 4360-197 | | Sida Page | |
|-----------------|----------------|----------------------|--|-------------------------------|------------------------|-------------------------------|-------------|---------------------|--|
| 2006-11 | | 1679 | | | | | | 418 | |
| Pos. Fig. | Antal/Quantity | | | Art nr Part No | Benämning | Description | Sats Kit | Anmärkning Notes | |
| | 4360 -197 | | | | | | | | |
| 0 | 1 | | | 1134-5281-01 | Transaxel kpl..... | Transaxle assy..... | | | |
| 1 | 1 | | | F000-7033-00 | Hus-övre..... | Housing-upper..... | | | |
| 2 | 16 | | | F000-1919-00 | Skruv..... | Screw..... | | | |
| 3 | 2 | | | F000-5947-00 | Kula..... | Ball..... | | | |
| 4 | 2 | | | F000-5948-00 | Fjäder..... | Spring..... | | | |
| 5 | 1 | | | F084-0052-00 | Skruv..... | Screw..... | | | |
| 6 | 1 | | | F000-6517-00 | Växelförare..... | Shifter kit..... | | | |
| 7 | 1 | | | F000-7010-00 | Hylsa..... | V-ring..... | | | |
| 8 | 3 | | | F000-5510-00 | Flänslager..... | Flange bearing..... | | | |
| 9 | 1 | | | F000-5508-00 | Tätningring..... | Oil seal..... | | | |
| 10 | 1 | | | F000-1106-00 | Låsring..... | Retaining ring..... | | | |
| 11 | 4 | | | F000-4689-00 | Sats-shims..... | Kit-shim..... | | | |
| 12 | 1 | | | F000-5511-00 | Flänslager..... | Flange bearing..... | | | |
| 13 | 2 | | | F000-3876-00 | Bricka..... | Washer..... | | | |
| 14 | 1 | | | F000-1746-00 | Kil..... | Key..... | | | |
| 15 | 1 | | | F000-6205-00 | ingående axel kpl..... | Input shaft assy..... | | | |
| 16 | 1 | | | F000-5620-00 | Drev..... | Bevel pinion..... | 12T | | |
| 17 | 1 | | | F000-3624-00 | Låsring..... | Retaining ring..... | | | |
| 18 | 1 | | | F000-3625-00 | Kedja..... | Chain..... | 24 link | | |
| 19 | 1 | | | F000-5950-00 | Lock..... | Cover..... | | | |
| 20 | 1 | | | F000-5627-00 | Drev..... | Gear..... | 12T | | |
| 21 | 1 | | | F000-5303-00 | Hylsa..... | Shifter boot..... | | | |
| 22 | 1 | | | F000-4758-00 | Sats-kilar..... | Kit-clutch keys..... | | | |
| 23 | 1 | | | F000-3847-00 | Låsmutter..... | Lock nut..... | | | |
| 24 | 1 | | | F000-5737-00 | Mellanaxel..... | Intermediate shaft..... | | | |
| 25 | 1 | | | F000-1375-00 | Woodruffkil..... | Woodruff key..... | | | |
| 26 | 1 | | | F000-3627-00 | Låsring..... | Retaining ring..... | | | |
| 27 | 1 | | | F000-3830-00 | Kedjehjul..... | Sprocket..... | 18T | | |
| 28 | 1 | | | F000-3841-00 | Distans..... | Spacer..... | | | |
| 29 | 1 | | | F000-5365-00 | Drev..... | Gear, spur..... | 37T | | |
| 30 | 1 | | | F000-3867-00 | Drev..... | Gear, spur..... | 30T | | |
| 31 | 1 | | | F000-3783-00 | Drev..... | Gear, spur..... | 25T | | |
| 32 | 1 | | | F000-3869-00 | Drev..... | Gear, spur..... | 22T | | |
| 33 | 1 | | | F000-5202-00 | Drev..... | Gear, spur..... | 19T | | |
| 34 | 1 | | | F000-5027-00 | Distans..... | Spacer..... | | | |
| 35 | 1 | | | F000-3628-00 | Bricka..... | Washer..... | | | |
| 36 | 1 | | | F000-1425-00 | Bricka..... | Washer..... | | | |
| 37 | 1 | | | F000-4691-00 | Sats-shims..... | Kit-shim..... | | | |
| 38 | 1 | | | F000-6358-00 | Drev..... | Gear comb..... | 12T+30T | | |
| 39 | 1 | | | F000-3967-00 | Axel..... | Idler shaft..... | | | |
| 40 | 1 | | | F000-7003-00 | Drev..... | Bevel gear..... | 36T | | |
| 41 | 1 | | | F000-3630-00 | Distans..... | Spacer..... | | | |
| 42 | 1 | | | F000-3645-00 | Kedjehjul..... | Sprocket..... | 9T | | |
| 43 | 1 | | | F000-5016-00 | Distans..... | Spacer..... | | | |
| 44 | 1 | | | F000-5015-00 | Axel..... | Drive shaft..... | | | |
| 45 | 1 | | | F000-5364-00 | Drev..... | Gear, spur..... | 12T | | |
| 46 | 1 | | | F000-3866-00 | Drev..... | Gear, spur..... | 20T | | |
| 47 | 1 | | | F000-3719-00 | Drev..... | Gear, spur..... | 25T | | |
| 48 | 1 | | | F000-3868-00 | Drev..... | Gear, spur..... | 28T | | |
| 49 | 1 | | | F000-3683-00 | Drev..... | Gear, spur..... | 31T | | |
| 50 | 1 | | | F000-3714-00 | Distans..... | Spacer..... | | | |
| 51 | 1 | | | F000-1145-00 | Bricka..... | Washer..... | | | |
| 52 | 2 | | | F000-5130-00 | Tätning..... | Seal..... | | | |
| 53 | 2 | | | F000-3184-00 | Bricka..... | Washer..... | | | |
| 54 | 1 | | | F000-7031-10 | Hjulaxel-vå..... | Wheel axle-LH..... | | | |
| 55 | 2 | | | F000-5622-00 | Drev..... | Miter gear..... | 12T | | |
| 56 | 2 | | | F000-5270-00 | Låsring..... | Retaining ring..... | | | |
| 57 | 1 | | | F000-3839-00 | Drev..... | Gear, spur..... | 32T | | |
| 58 | 1 | | | F000-3919-00 | Axel..... | Cross shaft..... | | | |
| 59 | 2 | | | F000-5623-00 | Drev..... | Miter gear..... | 12T | | |
| 60 | 1 | | | F000-7031-20 | Hjulaxel-hö..... | Wheel axle-RH..... | | | |
| 61 | 1 | | | F000-5304-MC | Hus-nedre..... | Housing-lower..... | | | |
| 62 | 1 | | | F000-5960-00 | Bromsskiva..... | Brake disc..... | | | |



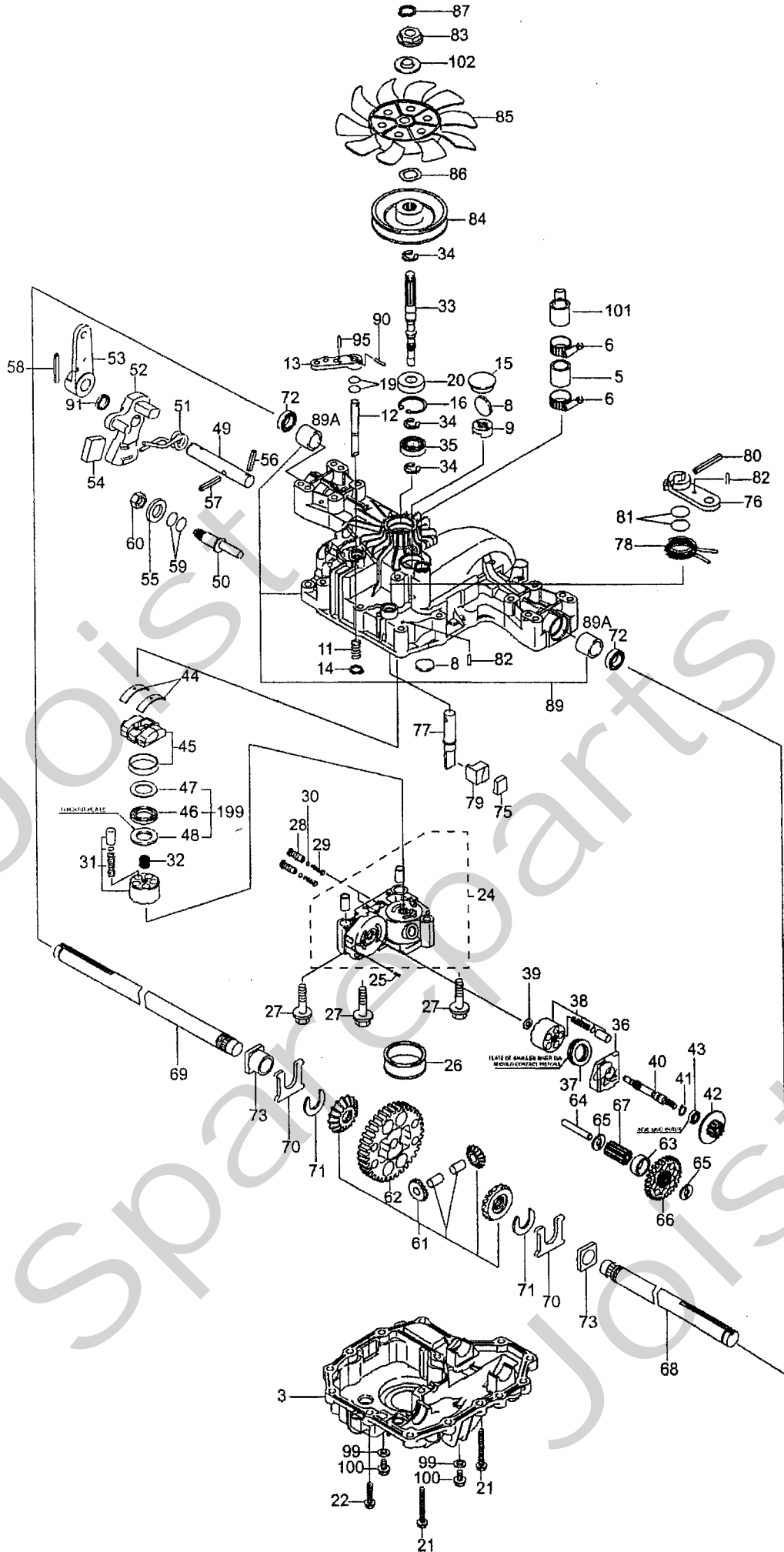
| Utgåva Issue | | Bildnr Picture No | | DANA TRANSAXEL 4360-197 | | DANA TRANSAXLE 4360-197 | | Sida Page 420 | |
|-----------------|----------------|----------------------|--|-------------------------------|---------------------|-------------------------------|-------------|---------------------|--|
| Pos. Fig. | Antal/Quantity | | | Art nr Part No | Benämning | Description | Sats Kit | Anmärkning Notes | |
| | 4360 -197 | | | | | | | | |
| 63 | 1 | | | F000-3758-00 | Distans | Spacer | | Ej ill/not ill. | |
| 64 | 1 | | | F000-5554-00 | Bromshållare | Brake jaw | | | |
| 65 | 2 | | | F000-3843-00 | Pinne | Dowel pin | | | |
| 66 | 2 | | | F000-5562-00 | Skruv | Screw | | | |
| 67 | 1 | | | F000-7032-00 | Bromsarm | Actuating lever | | | |
| 68 | 1 | | | F000-3760-00 | Bricka | Washer | | | |
| 69 | 1 | | | F000-5555-00 | Bricka | Bracket | | | |
| 70 | 2 | | | F000-3907-00 | Friktnsbelägg | Friction puck | | | |
| 98 | | | | F000-4300-00 | Smörjfett | Grease | | | |



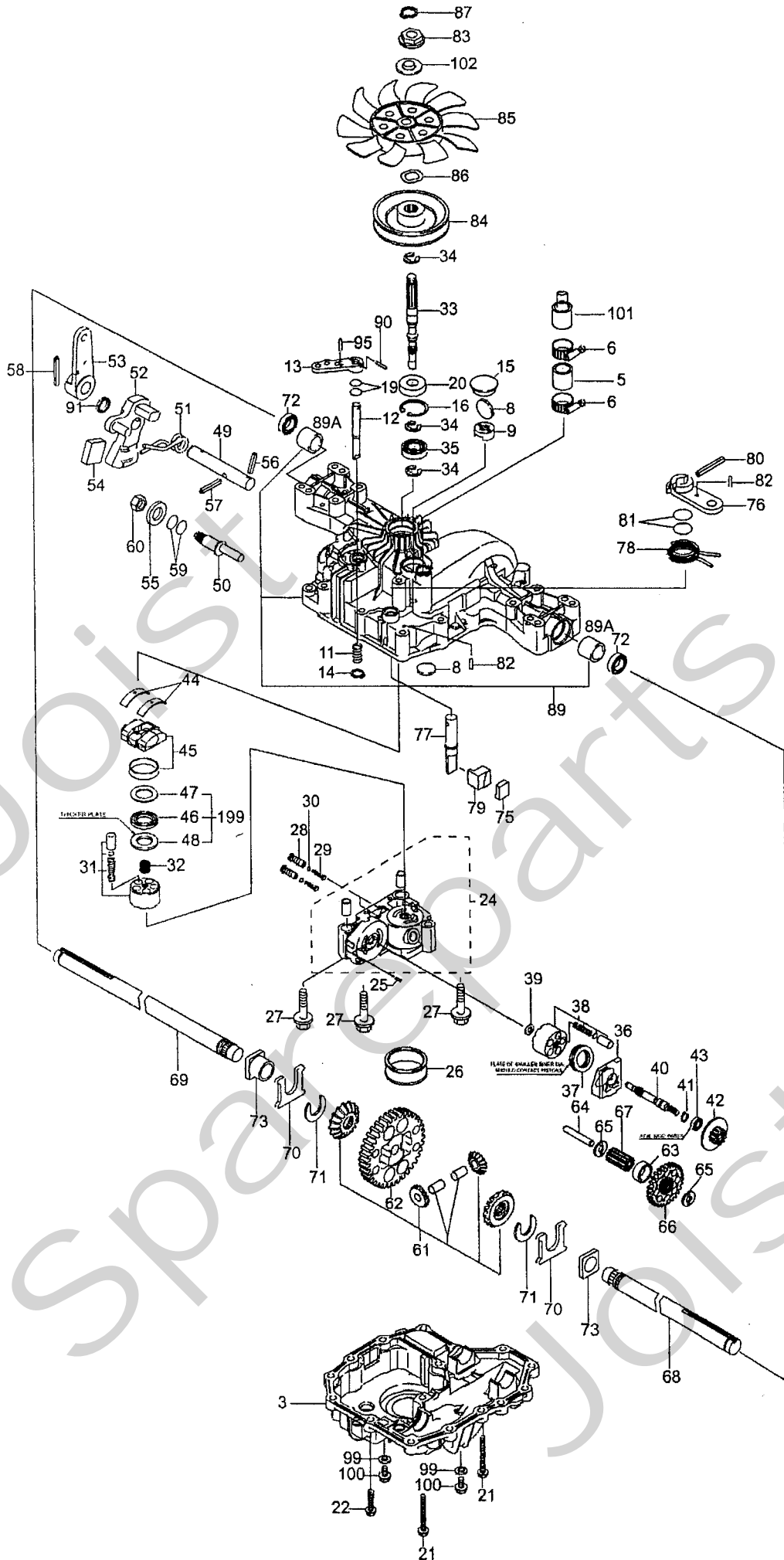
| Utgåva Issue | | Bildnr Picture No | | DANA TRANSAXEL 4360- 198 | | DANA TRANSAXLE 4360- 198 | | Sida Page | |
|-----------------|----------------|----------------------|--|--------------------------------|------------------------|--------------------------------|-------------|--------------|---------------------|
| 2006- 11 | | 1680 | | | | | | 422 | |
| Pos. Fig. | Antal/Quantity | | | | Art nr Part No | Benämning | Description | Sats Kit | Anmärkning Notes |
| | 4360 -198 | | | | | | | | |
| 0 | 1 | | | 1134-5282-01 | Transaxel kpl..... | Transaxle assy..... | | | |
| 1 | 1 | | | F000-5962-R0 | Hus- övre..... | Housing- upper..... | | | |
| 2 | 16 | | | F000-1919-00 | Skruv..... | Screw..... | | | |
| 3 | 2 | | | F000-5947-00 | Kula..... | Ball..... | | | |
| 4 | 2 | | | F000-5948-00 | Fjäder..... | Spring..... | | | |
| 5 | 1 | | | F084-0052-00 | Skruv..... | Screw..... | | | |
| 6 | 1 | | | F000-6517-00 | Växelförare..... | Shifter kit..... | | | |
| 7 | 1 | | | F000-7010-00 | Hylsa..... | V- ring..... | | | |
| 8 | 3 | | | F000-5510-00 | Flänslager..... | Flange bearing..... | | | |
| 9 | 1 | | | F000-5508-00 | Tätningarring..... | Oil seal..... | | | |
| 10 | 1 | | | F000-1106-00 | Låsring..... | Retaining ring..... | | | |
| 11 | 4 | | | F000-4689-00 | Sats- shims..... | Kit- shim..... | | | |
| 12 | 1 | | | F000-5511-00 | Flänslager..... | Flange bearing..... | | | |
| 13 | 2 | | | F000-3876-00 | Bricka..... | Washer..... | | | |
| 14 | 1 | | | F000-1746-00 | Kil..... | Key..... | | | |
| 15 | 1 | | | F000-6205-00 | Ingående axel kpl..... | Input shaft assy..... | | | |
| 16 | 1 | | | F000-5620-00 | Drev..... | Bevel pinion..... | | 12T | |
| 17 | 1 | | | F000-3624-00 | Låsring..... | Retaining ring..... | | | |
| 18 | 1 | | | F000-3625-00 | Kedja..... | Chain..... | | 24 link | |
| 19 | 1 | | | F000-5950-00 | Lock..... | Cover..... | | | |
| 20 | 1 | | | F000-5627-00 | Drev..... | Gear..... | | 12T | |
| 21 | 1 | | | F000-5303-00 | Hylsa..... | Shifter boot..... | | | |
| 22 | 1 | | | F000-4758-00 | Sats- kilar..... | Kit- clutch keys..... | | | |
| 23 | 1 | | | F000-3847-00 | Låsmutter..... | Lock nut..... | | | |
| 24 | 1 | | | F000-5737-00 | Mellanaxel..... | Intermediate shaft..... | | | |
| 25 | 1 | | | F000-1375-00 | Woodruffkil..... | Woodruff key..... | | | |
| 26 | 1 | | | F000-3627-00 | Låsring..... | Retaining ring..... | | | |
| 27 | 1 | | | F000-3830-00 | Kedjehjul..... | Sprocket..... | | | |
| 28 | 1 | | | F000-3841-00 | Distans..... | Spacer..... | | | |
| 29 | 1 | | | F000-5365-00 | Drev..... | Gear, spur..... | | 37T | |
| 30 | 1 | | | F000-3867-00 | Drev..... | Gear, spur..... | | 30T | |
| 31 | 1 | | | F000-3783-00 | Drev..... | Gear, spur..... | | 25T | |
| 32 | 1 | | | F000-3869-00 | Drev..... | Gear, spur..... | | 22T | |
| 33 | 1 | | | F000-5202-00 | Drev..... | Gear, spur..... | | 19T | |
| 34 | 1 | | | F000-5027-00 | Distans..... | Spacer..... | | | |
| 35 | 1 | | | F000-3628-00 | Bricka..... | Washer..... | | | |
| 36 | 1 | | | F000-1425-00 | Bricka..... | Washer..... | | | |
| 37 | 1 | | | F000-4691-00 | Sats- shims..... | Kit- shim..... | | | |
| 38 | 1 | | | F000-6358-00 | Drev..... | Gear comb..... | | 12T+30T | |
| 39 | 1 | | | F000-3967-00 | Axel..... | Idler shaft..... | | | |
| 40 | 1 | | | F000-7003-00 | Drev..... | Bevel gear..... | | 36T | |
| 41 | 1 | | | F000-3630-00 | Distans..... | Spacer..... | | | |
| 42 | 1 | | | F000-3645-00 | Kedjehjul..... | Sprocket..... | | 9T | |
| 43 | 1 | | | F000-5016-00 | Distans..... | Spacer..... | | | |
| 44 | 1 | | | F000-5015-00 | Axel..... | Drive shaft..... | | | |
| 45 | 1 | | | F000-5364-00 | Drev..... | Gear, spur..... | | 12T | |
| 46 | 1 | | | F000-3866-00 | Drev..... | Gear, spur..... | | 20T | |
| 47 | 1 | | | F000-3719-00 | Drev..... | Gear, spur..... | | 25T | |
| 48 | 1 | | | F000-3868-00 | Drev..... | Gear, spur..... | | 28T | |
| 49 | 1 | | | F000-3683-00 | Drev..... | Gear, spur..... | | 31T | |
| 50 | 1 | | | F000-3714-00 | Distans..... | Spacer..... | | | |
| 51 | 1 | | | F000-1145-00 | Bricka..... | Washer..... | | | |
| 52 | 2 | | | F000-5130-00 | Tätning..... | Seal..... | | | |
| 53 | 2 | | | F000-3184-00 | Bricka..... | Washer..... | | | |
| 54 | 1 | | | F000-7030-10 | Hjulaxel- vä..... | Wheel axle- LH..... | | | |
| 55 | 2 | | | F000-5622-00 | Drev..... | Miter gear..... | | 12T | |
| 56 | 2 | | | F000-5270-00 | Låsring..... | Retaining ring..... | | | |
| 57 | 1 | | | F000-3839-00 | Drev..... | Gear, spur..... | | 32T | |
| 58 | 1 | | | F000-3919-00 | Axel..... | Cross shaft..... | | | |
| 59 | 2 | | | F000-5623-00 | Drev..... | Miter gear..... | | 12T | |
| 60 | 1 | | | F000-7030-20 | Hjulaxel- hö..... | Wheel axle- RH..... | | | |
| 61 | 1 | | | F000-5304-M0 | Hus- nedre..... | Housing- lower..... | | | |
| 62 | 1 | | | F000-5960-00 | Bromsskiva..... | Brake disc..... | | | |



| Utgåva Issue 2006-11 | | Bildnr Picture No 1680 | | DANA TRANSAXEL 4360-198 | | DANA TRANSAXLE 4360-198 | | Sida Page 424 | |
|----------------------------|----------------|------------------------------|--|-------------------------------|-----------------------|-------------------------------|-------------|---------------------|--|
| Pos. Fig. | Antal/Quantity | | | Art nr Part No | Benämning | Description | Sats Kit | Anmärkning Notes | |
| | 4360 -198 | | | | | | | | |
| 63 | 1 | | | F000-3758-00 | Distans | Spacer | | Ej ill/not ill. | |
| 64 | 1 | | | F000-5554-00 | Bromshållare | Brake jaw | | | |
| 65 | 2 | | | F000-3843-00 | Pinne | Dowel pin | | | |
| 66 | 2 | | | F000-5562-00 | Skruv | Screw | | | |
| 67 | 1 | | | F000-7029-00 | Bromsarm | Actuating lever | | | |
| 68 | 1 | | | F000-3760-00 | Bricka | Washer | | | |
| 69 | 1 | | | F000-5555-00 | Bricka | Bracket | | | |
| 70 | 2 | | | F000-3907-00 | Friktionsbelägg | Friction puck | | | |
| 71 | 1 | | | F000-7034-00 | Brytare | Switch | | | |
| 98 | | | | F000-4300-00 | Smörjfett | Grease | | | |

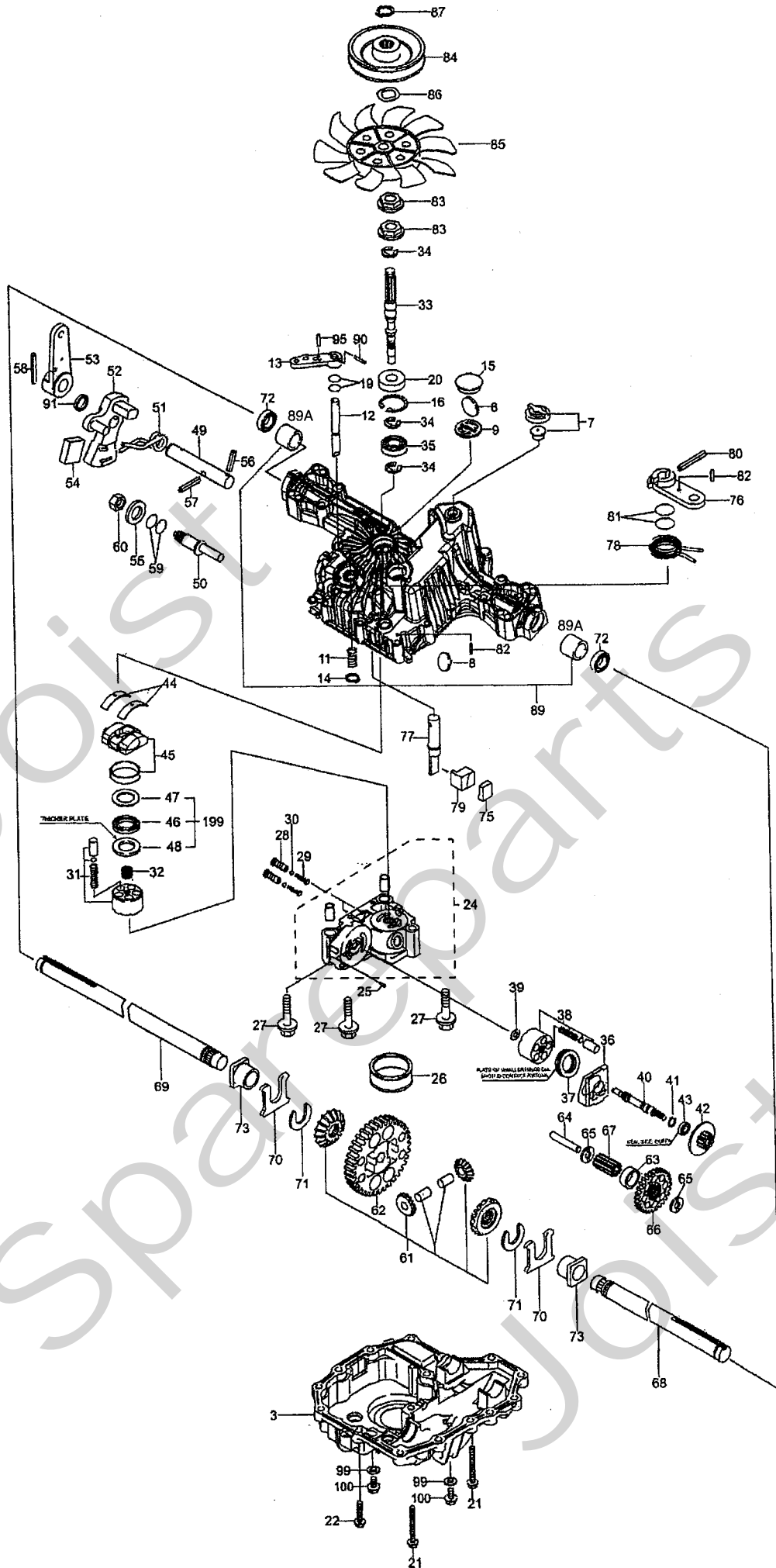


| Utgåva Issue | | Bildnr Picture No | | KANZAKI TRANSAXEL K46G | | KANZAKI TRANSAXLE K46G | | Sida Page | |
|-----------------|----------------|----------------------|--|------------------------------|----------------------------|------------------------------|-------------|---------------------|--|
| 2006-11 | | 1390D | | | | | | 426 | |
| Pos. Fig. | Antal/Quantity | | | Art nr Part No | Benämning | Description | Sats Kit | Anmärkning Notes | |
| | K46G | | | | | | | | |
| 3 | 1 | | | 1139-1402-01 | Hus- nedre | Case- lower | | | |
| 5 | 1 | | | 1139-1301-01 | Rör | Tube | | | |
| 6 | 2 | | | 1139-1336-01 | Slangklämma | Hose clamp | | | |
| 8 | 2 | | | 1139-1150-01 | Magnet | Magnet | S | | |
| 9 | 1 | | | 1139-1240-01 | Hållare- magnet | Holder- magnet | | | |
| 11 | 1 | | | 1139-1028-01 | Fjäder | Spring | | s/n - 015563 | |
| 11 | 1 | | | 1139-1347-01 | Fjäder | Spring | | s/n 015564- | |
| 12 | 1 | | | 1139-1251-01 | Axel- bypass | Shaft- bypass | | | |
| 13 | 1 | | | 1139-1189-01 | Arm- bypass | Lever- bypass | | | |
| 14 | 1 | | | 1139-1161-01 | Låsring | Ring | | | |
| 15 | 1 | | | 1139-1275-01 | Plugg | Bore plug | | | |
| 16 | 1 | | | 1139-1104-01 | Låsring | Snap ring | | | |
| 19 | 2 | | | 1139-1117-01 | O- ring | O- ring | S | | |
| 20 | 1 | | | 1139-1119-01 | Tätning | Seal | S | | |
| 21 | 2 | | | 1139-1295-01 | Skruv | Tapping screw | | | |
| 22 | 14 | | | 1139-0244-01 | Skruv | Tapping screw | | | |
| 24 | 1 | | | 1139-1273-01 | Centrumhus kpl | Center case assy | | s/n 010804- 015418 | |
| 24 | 1 | | | 1139-1340-01 | Centrumhus kpl | Center case assy | | s/n 015419- | |
| 25 | 1 | | | 1139-1158-01 | Stift | Pin | | | |
| 26 | 1 | | | 1139-1063-01 | Filter | Filter | S | s/n - 018458 | |
| 26 | 1 | | | 1139-1334-01 | Filter | Filter | S | s/n 018459- | |
| 27 | 3 | | | 1139-1294-01 | Bult | Bolt | | | |
| 28 | 2 | | | 1139-1339-01 | Ventil | Valve | | | |
| 29 | 2 | | | 1139-1243-01 | Fjäder | Spring | | s/n - 009999 | |
| 29 | 2 | | | 1139-1338-01 | Fjäder | Spring | | s/n 010000- | |
| 30 | 2 | | | 1139-1346-01 | Kula | Ball | | | |
| 31 | 1 | | | 1139-1159-01 | Cylinderblock kpl | Cylinder block assy | | s/n - 015563 | |
| 31 | 1 | | | 1139-1356-01 | Cylinderblock kpl | Cylinder block assy | | s/n 015564- | |
| 32 | 1 | | | 1139-1245-01 | Fjäder | Spring | | | |
| 33 | 1 | | | 1139-1246-01 | Pumpaxel | Pump shaft | | | |
| 34 | 3 | | | 1139-1146-01 | Låsring | Ring | | | |
| 35 | 1 | | | 1139-1110-01 | Kullager | Ball bearing | | | |
| 36 | 1 | | | 1139-1157-01 | Hus | Housing | | | |
| 37 | 1 | | | 1139-1054-01 | Lager | Bearing | | | |
| 38 | 1 | | | 1139-1139-01 | Cylinderblock kpl | Cylinder block assy | | | |
| 39 | 1 | | | 1139-1160-01 | Bricka | Washer | | | |
| 40 | 1 | | | 1139-1247-01 | Motoraxel | Motor shaft | | s/n 010804- 015563 | |
| 40 | 1 | | | 1139-1353-01 | Motoraxel | Motor shaft | | s/n 015564- | |
| 41 | 1 | | | 1139-1021-01 | Låsring | Snap ring | | | |
| 42 | 1 | | | 1139-1272-01 | Motordrev | Motor gear | | | |
| 43 | 1 | | | 1139-1286-01 | Kullager | Ball bearing | | | |
| 44 | 2 | | | 1139-1296-01 | Tryckplatta | Metal thrust | | | |
| 45 | 1 | | | 1139-1067-01 | Stänkplatta kpl | Swash plate assy | | s/n - 022544 | |
| 45 | 1 | | | 1139-1359-01 | Stänkplatta kpl | Swash plate assy | | s/n 022545- | |
| 49 | 1 | | | 1139-1315-01 | Regleraxel | Control shaft | | s/n 010804- 012410 | |
| 49 | 1 | | | 1139-1354-01 | Regleraxel | Control shaft | | s/n 012411- | |
| 50 | 1 | | | 1139-1316-01 | Vridcentrum | Fulcrum | | | |
| 51 | 1 | | | 1139-1312-01 | Fjäder | Spring | | | |
| 52 | 1 | | | 1139-1314-01 | Reglerarm | Control arm | | | |
| 53 | 1 | | | 1139-1325-01 | Reglerarm | Control lever | | | |
| 54 | 1 | | | 1139-1250-01 | Ryckplatta | Jerky plate | | | |
| 55 | 1 | | | 1139-1102-01 | Bricka | Washer | | | |
| 56 | 1 | | | 1139-1327-01 | Stift | Pin | | s/n 010804- 012410 | |
| 56 | 1 | | | 1139-1355-01 | Saxpinne | Cotter pin | | s/n 012411- | |
| 57 | 1 | | | 1139-1329-01 | Stift | Pin | | | |
| 58 | 1 | | | 1139-1285-01 | Stift | Pin | | | |
| 59 | 2 | | | 1139-1115-01 | O- ring | O- ring | S | | |
| 60 | 1 | | | 1139-1127-01 | Mutter | Nut | | | |
| 61 | 1 | | | 1139-1162-01 | Differentialdrev kpl | Differential gear kit | | s/n - 015563 | |
| 61 | 1 | | | 1139-1360-01 | Differentialdrev kpl | Differential gear kit | | s/n 015564- | |
| 62 | 1 | | | 1139-1258-01 | Slutdrev | Final gear | | | |
| 63 | 1 | | | 1139-1255-01 | Hylsa | Collar | | | |
| 64 | 1 | | | 1139-1256-01 | Reduktionsaxel | Reduction shaft | | | |



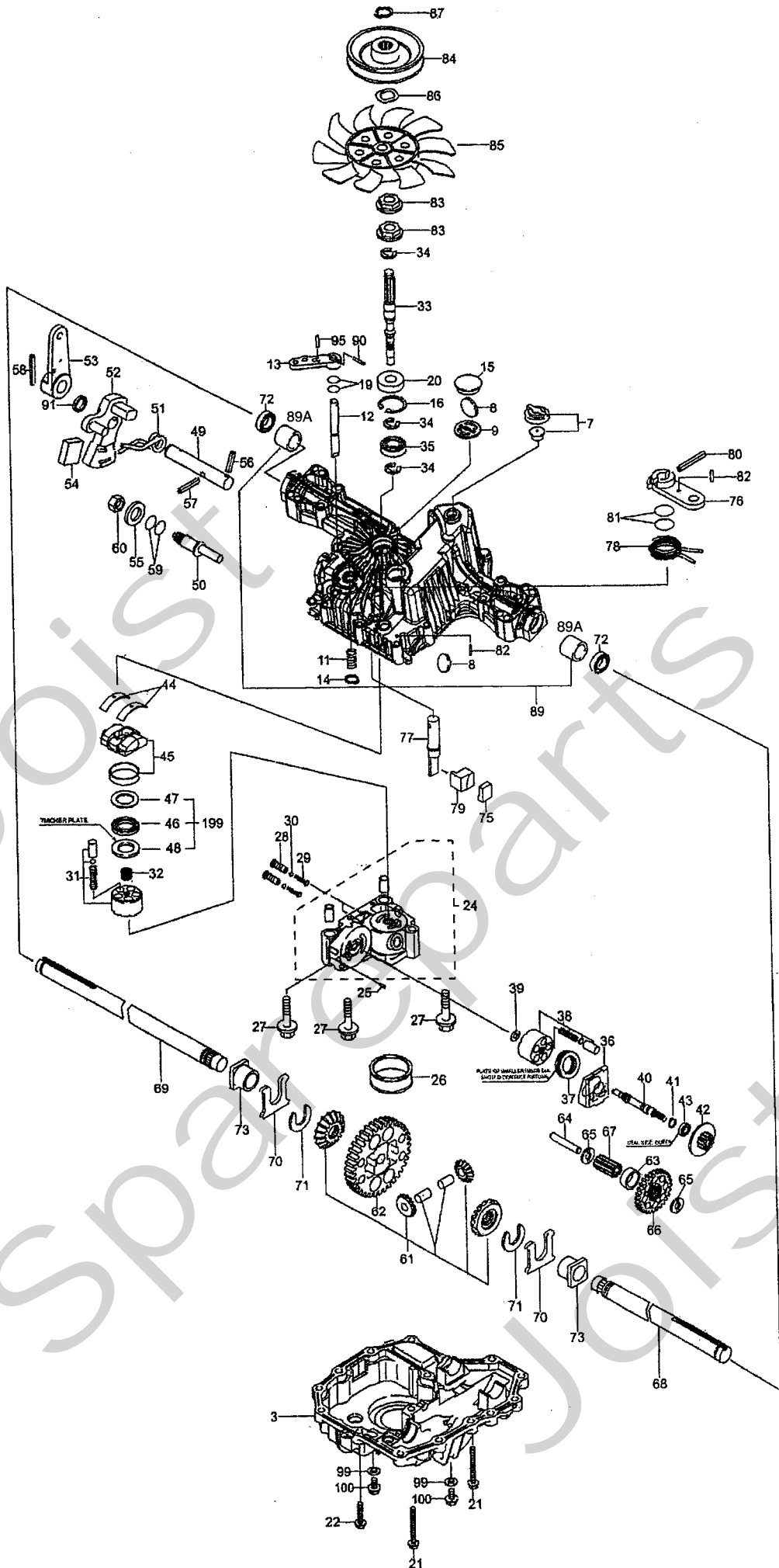
| Utgåva Issue | | Bildnr Picture No | | KANZAKI TRANSAXEL K46G | | KANZAKI TRANSAXLE K46G | | Sida Page | |
|-----------------|----------------|----------------------|--|------------------------------|----------------------|------------------------------|-------------|---|--|
| 2006- 11 | | 1390D | | | | | | 428 | |
| Pos. Fig. | Antal/Quantity | | | Art nr Part No | Benämning | Description | Sats Kit | Anmärkning Notes | |
| | K46G | | | | | | | | |
| 65 | 2 | | | 1139-1257-01 | Bricka | Washer | | s/n - 0022544 | |
| 65 | 2 | | | 1139-1398-01 | Bricka | Washer | | s/n 0022545- | |
| 66 | 1 | | | 1139-1267-01 | Reduktionsdrev | Reduction gear | | | |
| 67 | 1 | | | 1139-1259-01 | Slutdrev | Final pinion | | s/n - 020523 | |
| 67 | 1 | | | 1139-1361-01 | Slutdrev | Final pinion | | s/n 020524- | |
| 68 | 1 | | | 1139-1269-01 | Hjulaxel- vä | Axle shaft- left | | s/n 010804- 014194 | |
| 68 | 1 | | | 1139-1344-01 | Hjulaxel- vä | Axle shaft- left | | s/n 014195- | |
| 69 | 1 | | | 1139-1270-01 | Hjulaxel- hö | Axle shaft- right | | s/n 010804- 014194 | |
| 69 | 1 | | | 1139-1345-01 | Hjulaxel- hö | Axle shaft- right | | s/n 014195- | |
| 70 | 2 | | | 1139-1078-01 | Tryckbricka | Thrust washer | | | |
| 71 | 2 | | | 1139-1163-01 | Låsring | Ring | | | |
| 72 | 2 | | | 1139-1080-01 | Tätning | Seal | S | | |
| 73 | 2 | | | 1139-1164-01 | Bussning | Bushing | | | |
| 75 | 1 | | | 1139-1260-01 | Bromssko | Brake shoe | | | |
| 76 | 1 | | | 1139-1261-01 | Bromsarm | Brake arm | | | |
| 77 | 1 | | | 1139-1320-01 | Bromsaxel | Brake shaft | | | |
| 78 | 1 | | | 1139-1263-01 | Returfjäder | Return spring | | | |
| 79 | 1 | | | 1139-1264-01 | Bromstryckare | Brake actuator | | | |
| 80 | 1 | | | 1139-1282-01 | Stift | Pin | | | |
| 81 | 2 | | | 1139-1114-01 | O- ring | O- ring | S | | |
| 82 | 2 | | | 1139-1281-01 | Stift | Pin | | | |
| 83 | 1 | | | 1139-1248-01 | Krage | Spline collar | | | |
| 84 | 1 | | | 1139-1249-01 | Remskiva | Pulley | | | |
| 85 | 1 | | | 1134-4190-01 | Fläkt | Fan | | | |
| 86 | 1 | | | 1139-1266-01 | Låsbricka | Lock washer | | | |
| 87 | 1 | | | 1139-1149-01 | Låsring | Snap ring | | | |
| 89 | 1 | | | 1139-1302-01 | Övre hus kpl | Upper housing assy | | s/n - 018458 | |
| 89 | 1 | | | 1139-1358-01 | Övre hus kpl | Upper housing assy | | s/n 010000- | |
| X 89A | 2 | | | 1139-1414-01 | - Bussning | - Bushing | | | |
| 90 | 1 | | | 1139-1280-01 | Stift | Pin | | | |
| 91 | 1 | | | 1139-1303-01 | Tätningring | Oil seal | S | | |
| 95 | 1 | | | 1139-1279-01 | Stift | Pin | | | |
| 99 | 2 | | | 1139-1103-01 | Tätningbricka | Seal washer | S | | |
| 100 | 2 | | | 1139-1123-01 | Bult | Bolt | | | |
| 101 | 1 | | | 1139-1306-01 | Adapter | Adapter | | | |
| 102 | 1 | | | 1139-1276-01 | Bricka | Collar | | | |
| 199 | 1 | | | 1139-1362-01 | Lager | Bearing | | | |
| 200 | 1 | | | 1139-1403-01 | Packningssats | Seal kit | | Inkl. pos 46 - 48 Märkta S/ marked S | |

200 - Seal Kit

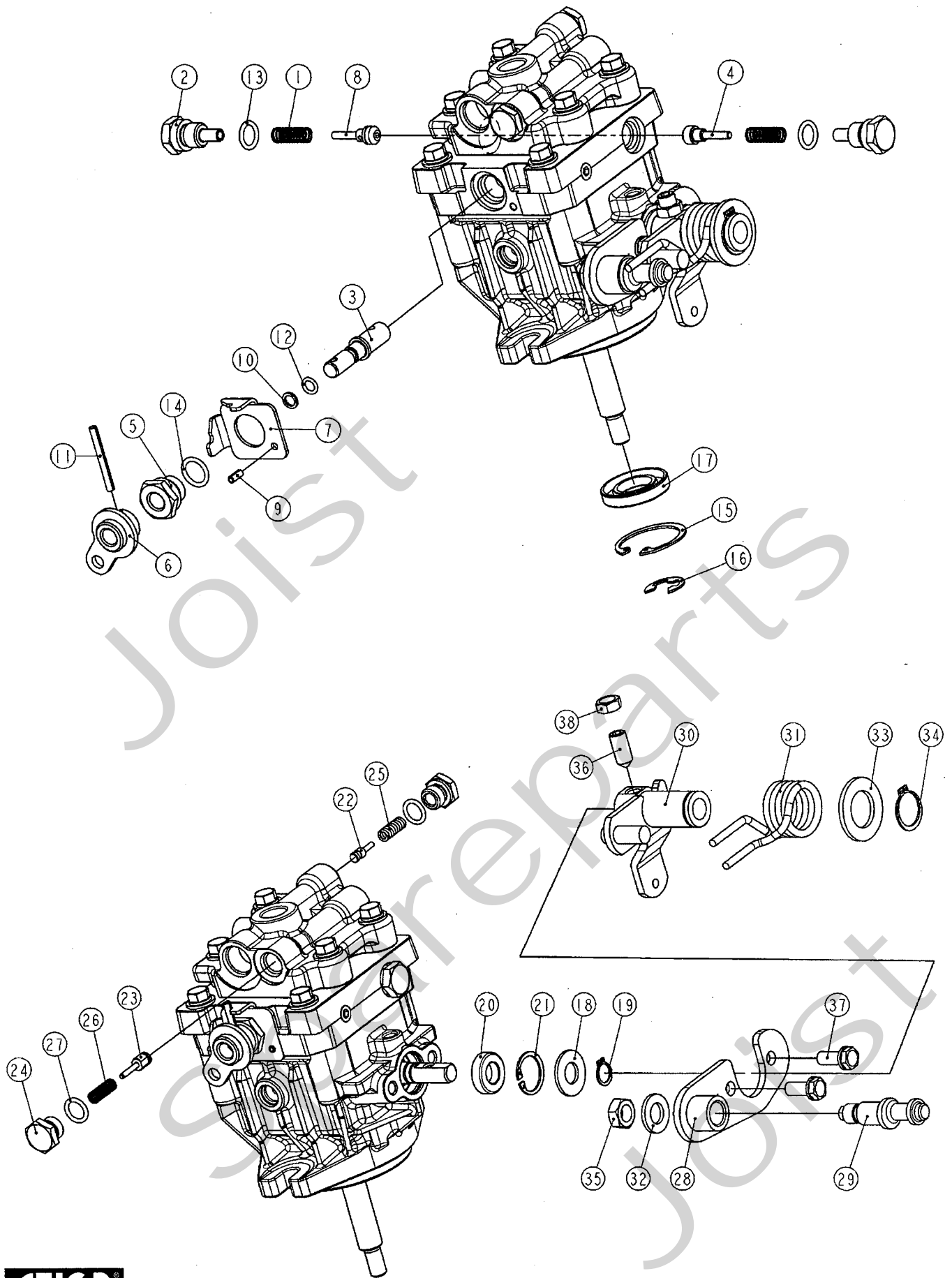


| Utgåva Issue | | Bildnr Picture No | | KANZAKI TRANSAXEL K46AG | | KANZAKI TRANSAXLE K46AG | | Sida Page | |
|-----------------|----------------|----------------------|--|-------------------------------|----------------------------|-------------------------------|-------------|---------------------|--|
| 2006-11 | | 1391C | | | | | | 430 | |
| Pos. Fig. | Antal/Quantity | | | Art nr Part No | Benämning | Description | Sats Kit | Anmärkning Notes | |
| | K46 AG | | | | | | | | |
| 3 | 1 | | | 1139-1402-01 | Hus- nedre | Case- lower | | | |
| 7 | 1 | | | 1139-1100-01 | Ventil kpl..... | Vent valve assy | | | |
| 8 | 2 | | | 1139-1150-01 | Magnet | Magnet | S | | |
| 9 | 1 | | | 1139-1341-01 | Hållare- magnet | Holder- magnet | | | |
| 11 | 1 | | | 1139-1347-01 | Fjäder..... | Spring | | | |
| 12 | 1 | | | 1139-1324-01 | Axel- bypass | Shaft- bypass | | | |
| 13 | 1 | | | 1139-1189-01 | Arm- bypass | Lever- bypass..... | | | |
| 14 | 1 | | | 1139-1161-01 | Låsring | Ring | | | |
| 15 | 1 | | | 1139-1275-01 | Plugg | Bore plug | | | |
| 16 | 1 | | | 1139-1104-01 | Låsring | Snap ring | | | |
| 19 | 2 | | | 1139-1117-01 | O- ring | O- ring | S | | |
| 20 | 1 | | | 1139-1119-01 | Tätning | Seal | S | | |
| 21 | 2 | | | 1139-1295-01 | Skruv | Tapping screw | | | |
| 22 | 14 | | | 1139-0244-01 | Skruv | Tapping screw | | | |
| 24 | 1 | | | 1139-1340-01 | Centrumhus kpl | Center case assy | | | |
| 25 | 1 | | | 1139-1158-01 | Stift | Pin | | | |
| 26 | 1 | | | 1139-1334-01 | Filter | Filter | S | | |
| 27 | 3 | | | 1139-1294-01 | Bult | Bolt | | | |
| 28 | 2 | | | 1139-1339-01 | Ventil | Valve | | | |
| 29 | 2 | | | 1139-1338-01 | Fjäder..... | Spring | | | |
| 30 | 2 | | | 1139-1346-01 | Kula | Ball | | | |
| 31 | 1 | | | 1139-1356-01 | Cylinderblock kpl | Cylinder block assy | | | |
| 32 | 1 | | | 1139-1245-01 | Fjäder..... | Spring | | | |
| 33 | 1 | | | 1139-1246-01 | Pumpaxel..... | Pump shaft | | | |
| 34 | 3 | | | 1139-1146-01 | Låsring | Ring | | | |
| 35 | 1 | | | 1139-1110-01 | Kullager | Ball bearing | | | |
| 36 | 1 | | | 1139-1157-01 | Hus | Housing | | | |
| 37 | 1 | | | 1139-1054-01 | Lager | Bearing | | | |
| 38 | 1 | | | 1139-1139-01 | Cylinderblock kpl | Cylinder block assy | | | |
| 39 | 1 | | | 1139-1160-01 | Bricka | Washer | | | |
| 40 | 1 | | | 1139-1353-01 | Motoraxel | Motor shaft | | | |
| 41 | 1 | | | 1139-1021-01 | Låsring | Snap ring | | | |
| 42 | 1 | | | 1139-1272-01 | Motordrev | Motor gear | | | |
| 43 | 1 | | | 1139-1286-01 | Kullager | Ball bearing | | | |
| 44 | 2 | | | 1139-1066-01 | Tryckplatta | Metal thrust | | | |
| 45 | 1 | | | 1139-1067-01 | Stänkplatta kpl | Swash plate assy | | s/n - 013937 | |
| 45 | 1 | | | 1139-1359-01 | Stänkplatta kpl | Swash plate assy | | s/n 013938- | |
| 49 | 1 | | | 1139-1315-01 | Regleraxel | Control shaft | | s/n 004000-006773 | |
| 49 | 1 | | | 1139-1354-01 | Regleraxel | Control shaft | | s/n 006774- | |
| 50 | 1 | | | 1139-1190-01 | Vridcentrum | Fulcrum | | s/n - 003999 | |
| 50 | 1 | | | 1139-1316-01 | Vridcentrum | Fulcrum | | s/n 004000- | |
| 51 | 1 | | | 1139-1312-01 | Fjäder..... | Spring | | | |
| 52 | 1 | | | 1139-1314-01 | Reglerarm | Control arm | | | |
| 53 | 1 | | | 1139-1325-01 | Reglerarm | Control lever | | | |
| 54 | 1 | | | 1139-1250-01 | Ryckplatta | Jerky plate | | | |
| 55 | 1 | | | 1139-1102-01 | Bricka | Washer | | | |
| 56 | 1 | | | 1139-1327-01 | Stift | Pin | | s/n 004000-006773 | |
| 56 | 1 | | | 1139-1355-01 | Saxpinne | Cotter pin | | s/n 006774- | |
| 57 | 1 | | | 1139-1329-01 | Stift | Pin | | | |
| 58 | 1 | | | 1139-1285-01 | Stift | Pin | | | |
| 59 | 2 | | | 1139-1115-01 | O- ring | O- ring | S | | |
| 60 | 1 | | | 1139-1127-01 | Mutter | Nut | | | |
| 61 | 1 | | | 1139-1360-01 | Differentialdrev kpl | Differential gear kit | | | |
| 62 | 1 | | | 1139-1258-01 | Slutdrev | Final gear | | | |
| 63 | 1 | | | 1139-1255-01 | Hylsa | Collar | | | |
| 64 | 1 | | | 1139-1256-01 | Reduktionsaxel | Reduction shaft | | | |
| 65 | 2 | | | 1139-1257-01 | Bricka | Washer | | s/n - 0013064 | |
| 65 | 2 | | | 1139-1398-01 | Bricka | Washer | | s/n 0013065- | |
| 66 | 1 | | | 1139-1267-01 | Reduktionsdrev | Reduction gear | | | |
| 67 | 1 | | | 1139-1259-01 | Slutdrev | Final pinion | | s/n - 013064 | |
| 67 | 1 | | | 1139-1361-01 | Slutdrev | Final pinion | | s/n 013065- | |
| 68 | 1 | | | 1139-1269-01 | Hjulaxel- vä | Axle shaft- left | | s/n 000001- 003999 | |
| 68 | 1 | | | 1139-1342-01 | Hjulaxel- vä | Axle shaft- left | | s/n 004000- | |

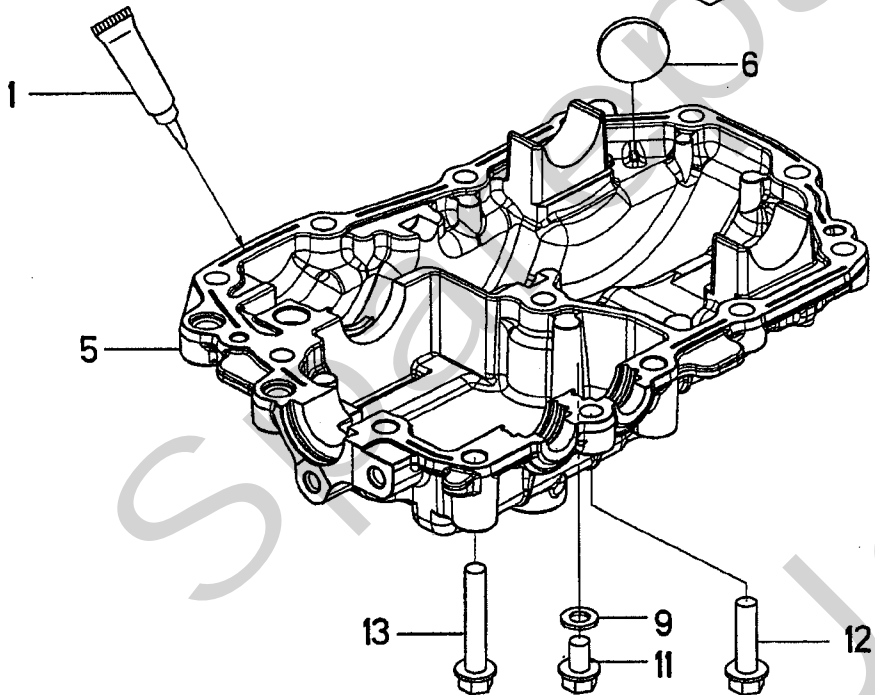
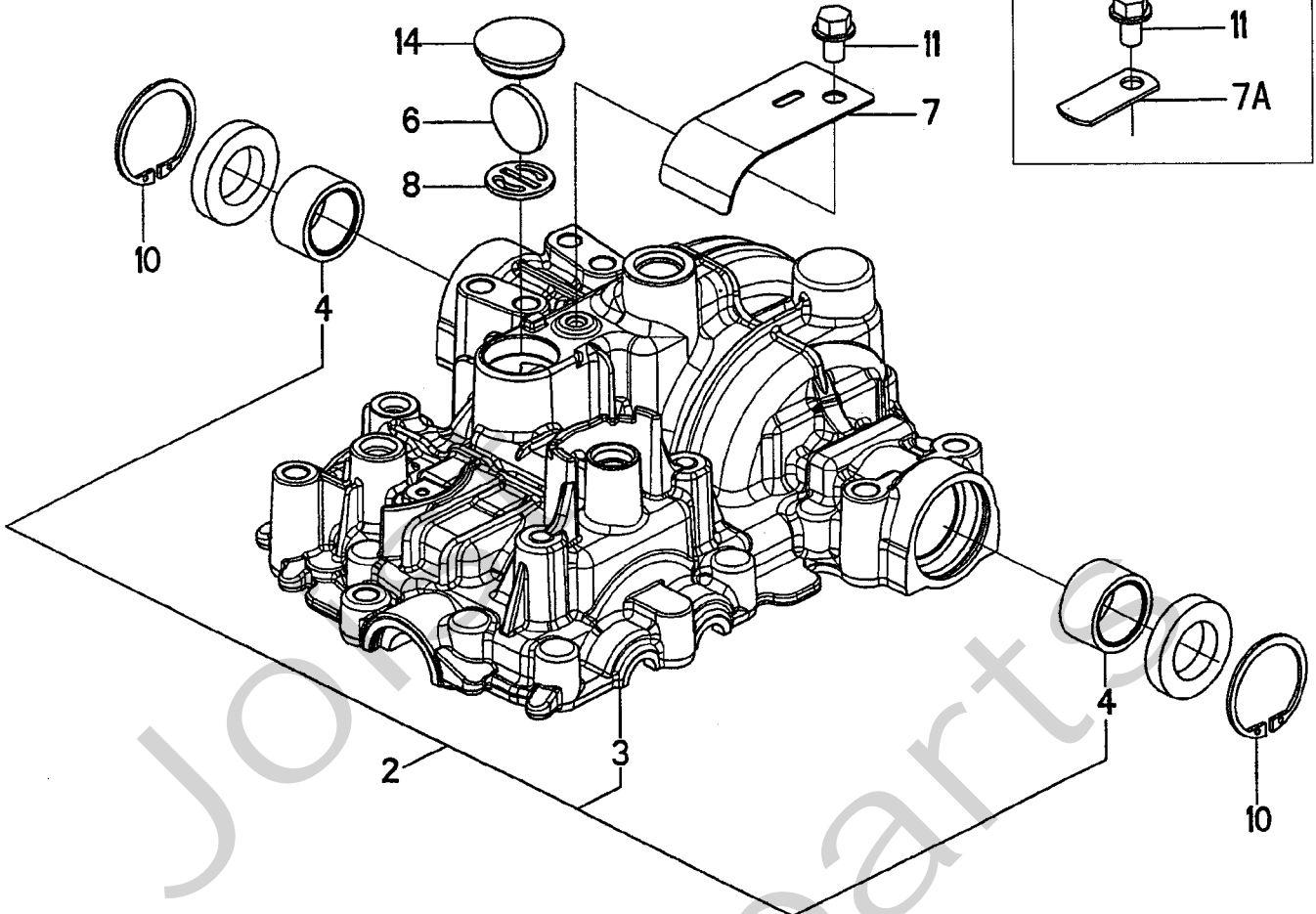
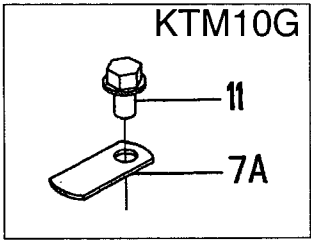
200 - Seal Kit



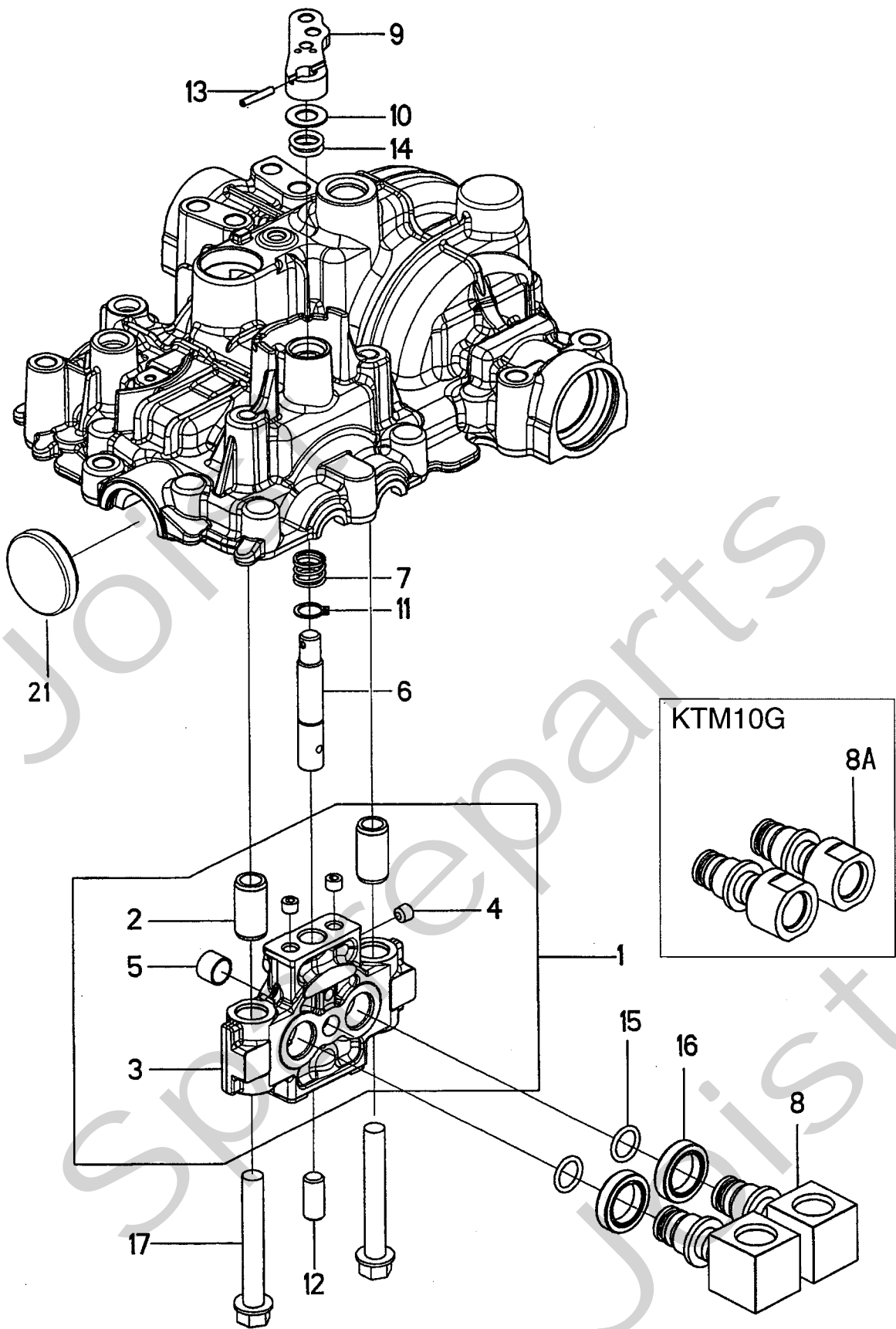
| Utgåva Issue | | Bildnr Picture No | | KANZAKI TRANSAXEL K46AG | | KANZAKI TRANSAXLE K46AG | | Sida Page | |
|-----------------|----------------|----------------------|--|-------------------------------|---------------------|-------------------------------|-------------|---------------------|--|
| 2006-11 | | 1391C | | | | | | 432 | |
| Pos. Fig. | Antal/Quantity | | | Art nr Part No | Benämning | Description | Sats Kit | Anmärkning Notes | |
| | K46 AG | | | | | | | | |
| 69 | 1 | | | 1139-1270-01 | Hjulaxel- hö..... | Axle shaft- right..... | | s/n 000001-003999 | |
| 69 | 1 | | | 1139-1343-01 | Hjulaxel- hö..... | Axle shaft- right..... | | s/n 004000- | |
| 70 | 2 | | | 1139-1078-01 | Tryckbricka..... | Thrust washer..... | | | |
| 71 | 2 | | | 1139-1163-01 | Låsring..... | Ring..... | | | |
| 72 | 2 | | | 1139-1080-01 | Tätning..... | Seal..... | S | | |
| 73 | 2 | | | 1139-1164-01 | Bussning..... | Bushing..... | | | |
| 75 | 1 | | | 1139-1260-01 | Bromssko..... | Brake shoe..... | | | |
| 76 | 1 | | | 1139-1261-01 | Bromsarm..... | Brake arm..... | | | |
| 77 | 1 | | | 1139-1320-01 | Bromsaxel..... | Brake shaft..... | | | |
| 78 | 1 | | | 1139-1263-01 | Returfjäder..... | Return spring..... | | | |
| 79 | 1 | | | 1139-1264-01 | Bromstryckare..... | Brake actuator..... | | | |
| 80 | 1 | | | 1139-1282-01 | Stift..... | Pin..... | | | |
| 81 | 2 | | | 1139-1114-01 | O- ring..... | O- ring..... | S | | |
| 82 | 2 | | | 1139-1281-01 | Stift..... | Pin..... | | | |
| 83 | 2 | | | 1139-1248-01 | Krage..... | Spline collar..... | | | |
| 84 | 1 | | | 1139-1309-01 | Remskiva..... | Pulley..... | | | |
| 85 | 1 | | | 1134-4190-01 | Fläkt..... | Fan..... | | | |
| 86 | 1 | | | 1139-1266-01 | Låsbricka..... | Lock washer..... | | | |
| 87 | 1 | | | 1139-1149-01 | Låsring..... | Snap ring..... | | | |
| 89 | 1 | | | 1139-1351-01 | Övre hus..... | Upper housing..... | | Inkl. pos 89A | |
| X 89A | 2 | | | 1139-1414-01 | Bussning..... | Bushing..... | | | |
| 90 | 1 | | | 1139-1280-01 | Stift..... | Pin..... | | | |
| 91 | 1 | | | 1139-1303-01 | Tätningsring..... | Oil seal..... | S | | |
| 95 | 1 | | | 1139-1279-01 | Stift..... | Pin..... | | | |
| 99 | 2 | | | 1139-1103-01 | Tätningsbricka..... | Seal washer..... | S | | |
| 100 | 2 | | | 1139-1123-01 | Bult..... | Bolt..... | | | |
| 199 | 1 | | | 1139-1362-01 | Lager..... | Bearing..... | | Inkl. pos 46 - 48 | |
| 200 | 1 | | | 1139-1403-01 | Packningsatts..... | Seal kit..... | | Märkta S/marked S | |



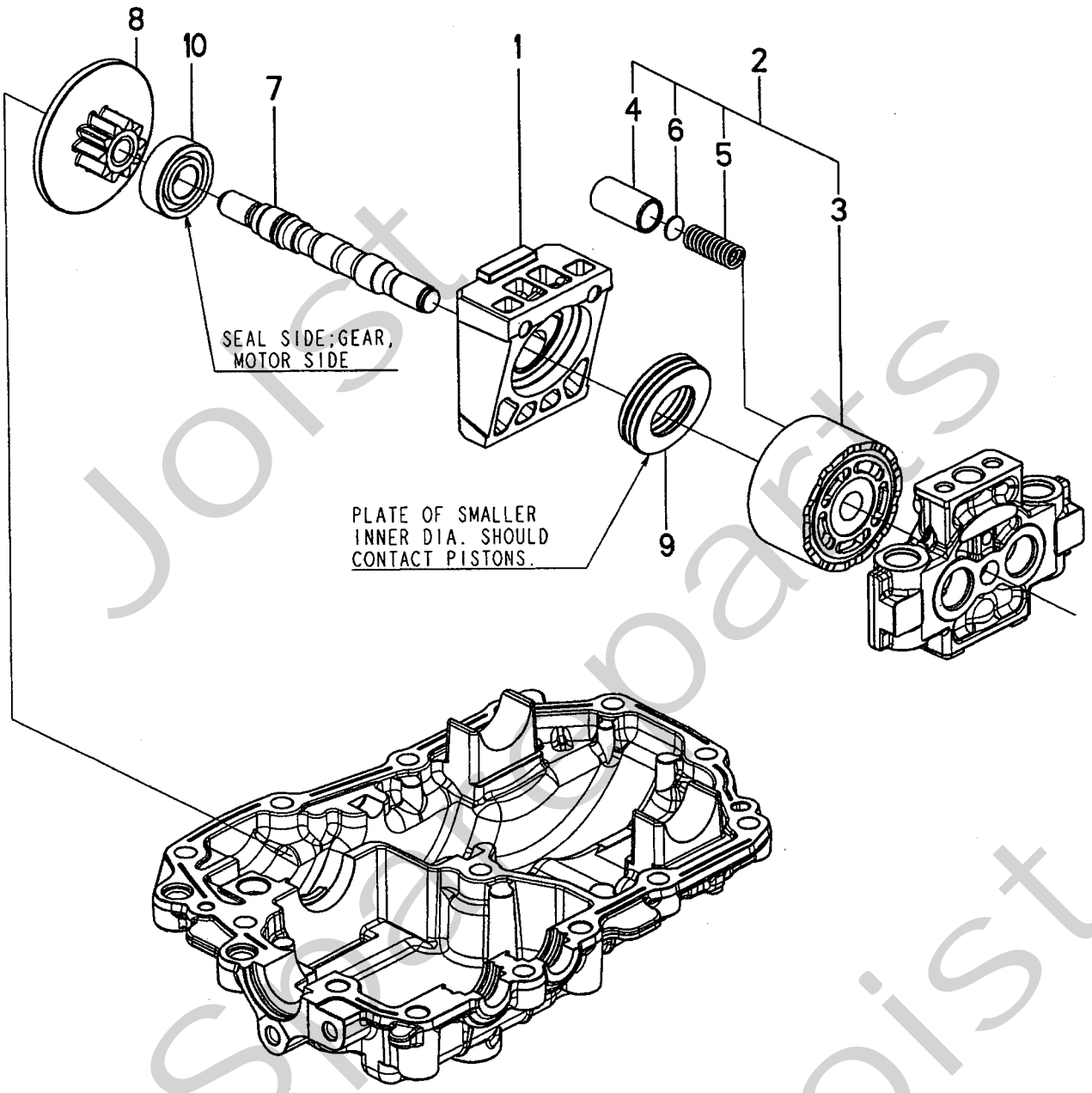
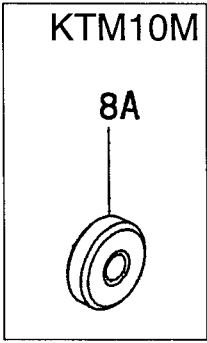
| Utgåva Issue | | Bildnr Picture No | | KANZAKI HYDRAULPUMP KPL- 10ALP | | KANZAKI HYDRAULIC PUMP KPL- 10ALP | | Sida Page | |
|-----------------|-------------------|----------------------|--|--------------------------------------|-----------------------|---|-------------|---------------------|--|
| 2006- 11 | | 1826 | | | | | | 434 | |
| Pos. Fig. | Antal/Quantity | | | Art nr Part No | Benämning | Description | Sats Kit | Anmärkning Notes | |
| | KPL- 10 ALP | | | | | | | | |
| 0 | 1 | | | 1134- 5700- 01 | Hydraulpump kpl | Hydraulic pump assy | | | |
| 1 | 2 | | | 1139- 1366- 01 | Fjäder..... | Spring | | | |
| 2 | 2 | | | 1139- 1367- 01 | Plugg | Check plug | | | |
| 3 | 1 | | | 1139- 1370- 01 | By- pass axel..... | By- pass pin | | | |
| 4 | 1 | | | 1139- 1368- 01 | Ventil | Check valve F | | | |
| 5 | 1 | | | 1139- 1371- 01 | Adapter..... | By- pass adapter | | | |
| 6 | 1 | | | 1139- 1372- 01 | By- pass arm..... | By- pass lever..... | | | |
| 7 | 1 | | | 1139- 1373- 01 | Plåt | By- pass plate..... | | | |
| 8 | 1 | | | 1139- 1374- 01 | Ventil | Check valve R..... | | | |
| 9 | 1 | | | 1139- 1394- 01 | Stift..... | Pin | | | |
| 10 | 1 | | | 1139- 1387- 01 | Ring..... | Back- up ring | | | |
| 11 | 1 | | | 1139- 1395- 01 | Stift..... | Pin | | | |
| 12 | 1 | | | 1139- 1112- 01 | O- ring | O- ring | | | |
| 13 | 2 | | | 1139- 1114- 01 | O- ring | O- ring | | | |
| 14 | 1 | | | 1139- 1115- 01 | O- ring | O- ring | | | |
| 15 | 1 | | | 1139- 1369- 01 | Spärring..... | Snap ring | | | |
| 16 | 1 | | | 1139- 1146- 01 | Låsring | Ring | | | |
| 17 | 1 | | | 1139- 1396- 01 | Tätningring | Seal | | | |
| 18 | 1 | | | 1139- 1382- 01 | Bricka | Washer | | | |
| 19 | 1 | | | 1139- 1391- 01 | Låsring | Ring | | | |
| 20 | 1 | | | 1139- 1365- 01 | Tätningring | Oil seal | | | |
| 21 | 1 | | | 1139- 1393- 01 | Spärring..... | Ring | | | |
| 22 | 1 | | | 1139- 1385- 01 | Ventil | Relief valve | | | |
| 23 | 1 | | | 1139- 1386- 01 | Ventil | Charge valve | | | |
| 24 | 2 | | | 1139- 1375- 01 | Plugg | Charge plug | | | |
| 25 | 1 | | | 1139- 1376- 01 | Fjäder..... | Spring | | | |
| 26 | 1 | | | 1139- 1389- 01 | Ventilfjäder | Valve spring | | | |
| 27 | 2 | | | 1139- 1114- 01 | O- ring | O- ring | | | |
| 28 | 1 | | | 1139- 1377- 01 | Plåt | Plate | | | |
| 29 | 1 | | | 1139- 1378- 01 | Vridcentrum..... | Fulcrum | | | |
| 30 | 1 | | | 1139- 1379- 01 | Arm | Arm | | | |
| 31 | 1 | | | 1139- 1380- 01 | Returfjäder | Return spring | | | |
| 32 | 1 | | | 1139- 1102- 01 | Bricka | Washer | | | |
| 33 | 1 | | | 1139- 1390- 01 | Bricka | Washer | | | |
| 34 | 1 | | | 1139- 1392- 01 | Spärring..... | Ring | | | |
| 35 | 1 | | | 1139- 1127- 01 | Mutter..... | Nut | | | |
| 36 | 1 | | | 1139- 1381- 01 | Stoppskruv | Set screw | | | |
| 37 | 2 | | | 1139- 1122- 01 | Bult m.bricka | Bolt w/washer | | | |
| 38 | 1 | | | 1139- 1127- 01 | Mutter..... | Nut | | | |

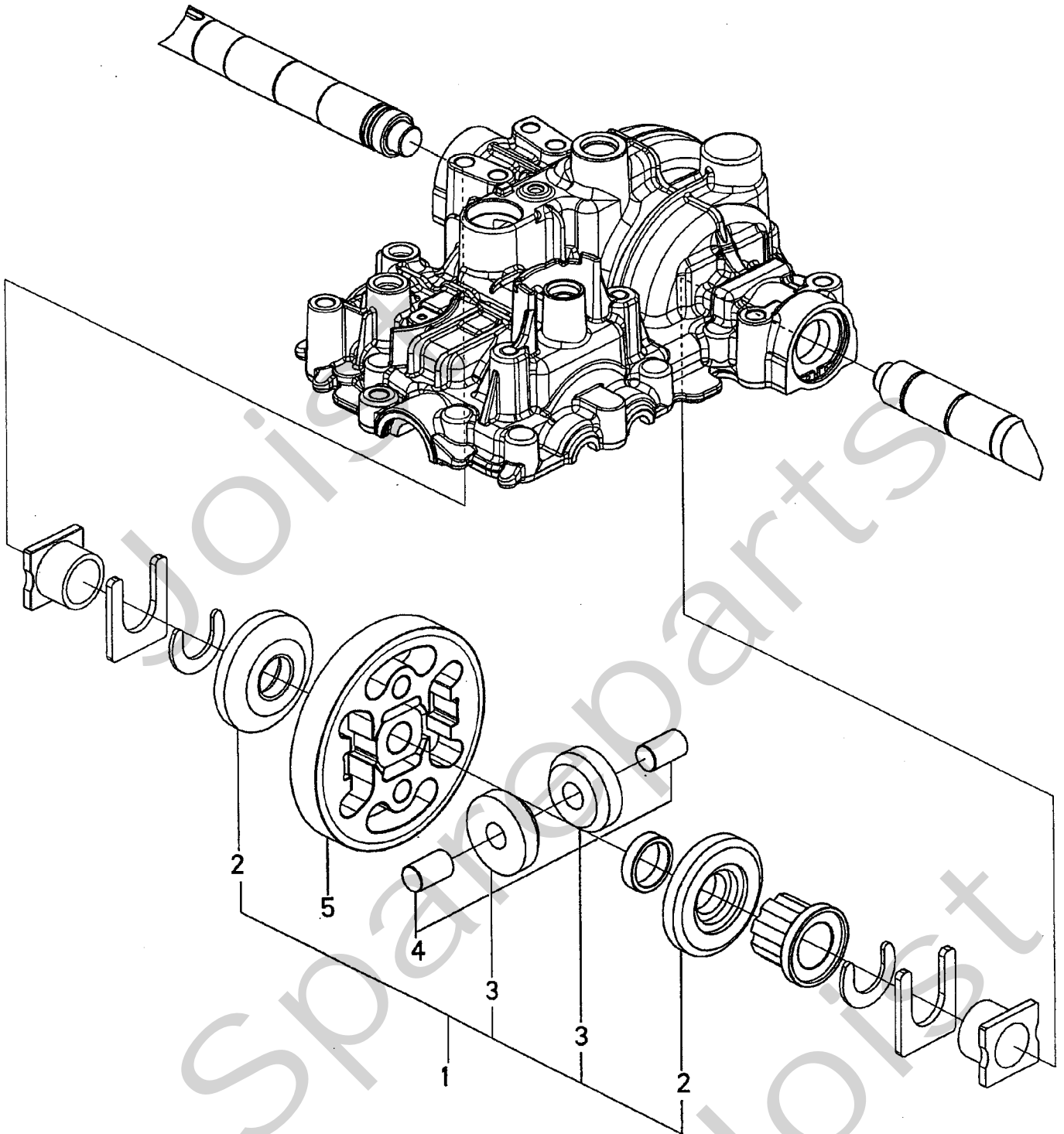


| Utgåva Issue 2006-11 | | Bildnr Picture No 2053 | | KANZAKI TRANSAXEL KTM10F- KTM10G- KTM10M HUS | | KANZAKI TRANSAXLE KTM10F- KTM10G- KTM10M TRANSAXLE CASE | | Sida Page 436 | |
|----------------------------|----------------|------------------------------|------------|---|-----------------------------------|--|-------------|---------------------|--|
| Pos. Fig. | Antal/Quantity | | | Art nr Part No | Benämning | Description | Sats Kit | Anmärkning Notes | |
| | KTM 10F | KTM 10G | KTM 10M | | | | | | |
| | 0 | | 1 | | 1134-5701-01 Motoraxel- bak..... | Motor shaft- rear..... | | | |
| | 0 | 1 | | | 1134-5702-01 Motoraxel- fram..... | Motor shaft- front..... | | | |
| X | 0 | | | 1 | 1134-6029-01 Motoraxel- fram..... | Motor unit- front..... | | | |
| X | 2 | | | 1 | 1139-1416-01 Hus- övre..... | Housing- upper..... | | Inkl. pos 3 - 4 | |
| X | 4 | 1 | | 1 | 1139-1417-01 Hus- övre..... | Housing- upper..... | | Inkl. pos 3 - 4 | |
| X | 4 | 2 | | 2 | 1139-1415-01 • Bussning..... | • Bushing..... | | | |
| X | 5 | 1 | | 1 | 1139-1418-01 Hus- nedre..... | Housing- lower..... | | | |
| | 6 | 2 | | 2 | 1139-1150-01 Magnet..... | Magnet..... | | | |
| | 7 | 1 | | 1 | 1139-1384-01 Glidplåt..... | Skid plate..... | | | |
| | 7A | | | 1 | 1139-1383-01 Plåt..... | Vent port plate..... | | | |
| | 8 | 1 | | 1 | 1139-1341-01 Hållare- magnet..... | Holder- magnet..... | | | |
| | 9 | 2 | | 2 | 1139-1103-01 Tätningsbricka..... | Seal washer..... | | | |
| X | 10 | 2 | | 2 | 1139-1444-01 Låsring..... | Ring..... | | | |
| | 11 | 3 | | 3 | 1139-1123-01 Bult..... | Bolt..... | | | |
| X | 12 | 11 | | 11 | 1139-1448-01 Bult..... | Bolt..... | | | |
| | 13 | 3 | | 3 | 1139-1291-01 Bult..... | Bolt..... | | | |
| | 14 | 1 | | 1 | 1139-1397-01 Tätningshuv..... | Sealing cap..... | | | |



| Utgåva Issue | | Bildnr Picture No | | | KANZAKI TRANSAXEL KTM10F- KTM10G- KTM10M CENTRUMHUS | | KANZAKI TRANSAXLE KTM10F- KTM10G- KTM10M CENTER CASE | | Sida Page |
|-----------------|----------------|----------------------|------------|---|--|----------------------|---|-------------|---------------------|
| 2006- 11 | | 2054 | | | | | | | 438 |
| Pos. Fig. | Antal/Quantity | | | | Art nr Part No | Benämning | Description | Sats Kit | Anmärkning Notes |
| | KTM 10F | KTM 10G | KTM 10M | | | | | | |
| X | 1 | 1 | 1 | 1 | 1139- 1419- 01 | Centrumhus kpl | Center case assy | | Inkl. pos 2 - 5 |
| X | 6 | 1 | 1 | 1 | 1139- 1420- 01 | By- passaxel..... | By- pass shaft | | |
| X | 7 | 1 | 1 | 1 | 1139- 1421- 01 | Fjäder..... | Spring | | |
| X | 8 | 2 | | 2 | 1139- 1424- 01 | Anslutning | Connector | | |
| X | 8A | | 2 | | 1139- 1423- 01 | Anslutning | Connector | | |
| | 9 | 1 | 1 | 1 | 1139- 1189- 01 | Arm- bypass | Lever- bypass | | |
| | 10 | 1 | 1 | 1 | 1139- 1388- 01 | Bricka | Washer | | |
| | 11 | 1 | 1 | 1 | 1139- 1391- 01 | Låsring | Ring | | |
| X | 12 | 1 | 1 | 1 | 1139- 1445- 01 | Tapp..... | Pin | | |
| | 13 | 1 | 1 | 1 | 1139- 1280- 01 | Stift..... | Pin | | |
| | 14 | 2 | 2 | 2 | 1139- 1114- 01 | O- ring | O- ring | | |
| X | 15 | 2 | 2 | 2 | 1139- 1446- 01 | Packning..... | Packing | | |
| X | 16 | 2 | 2 | 2 | 1139- 1447- 01 | Tätningring | Seal | | |
| X | 17 | 2 | 2 | 2 | 1139- 1449- 01 | Bult | Bolt | | |
| X | 21 | 1 | 1 | 1 | 1139- 1450- 01 | Tätningshuv..... | Sealing cap | | |

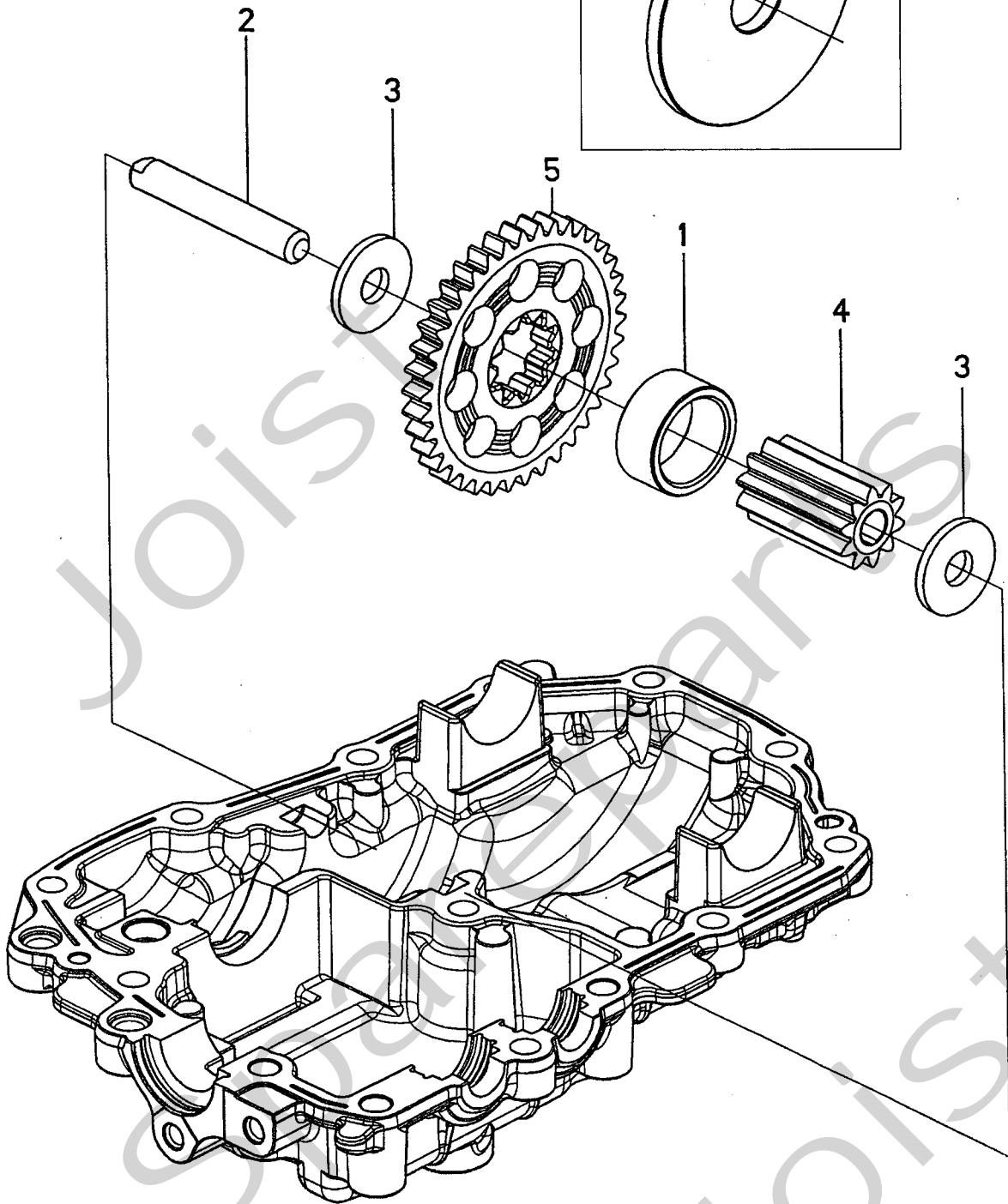




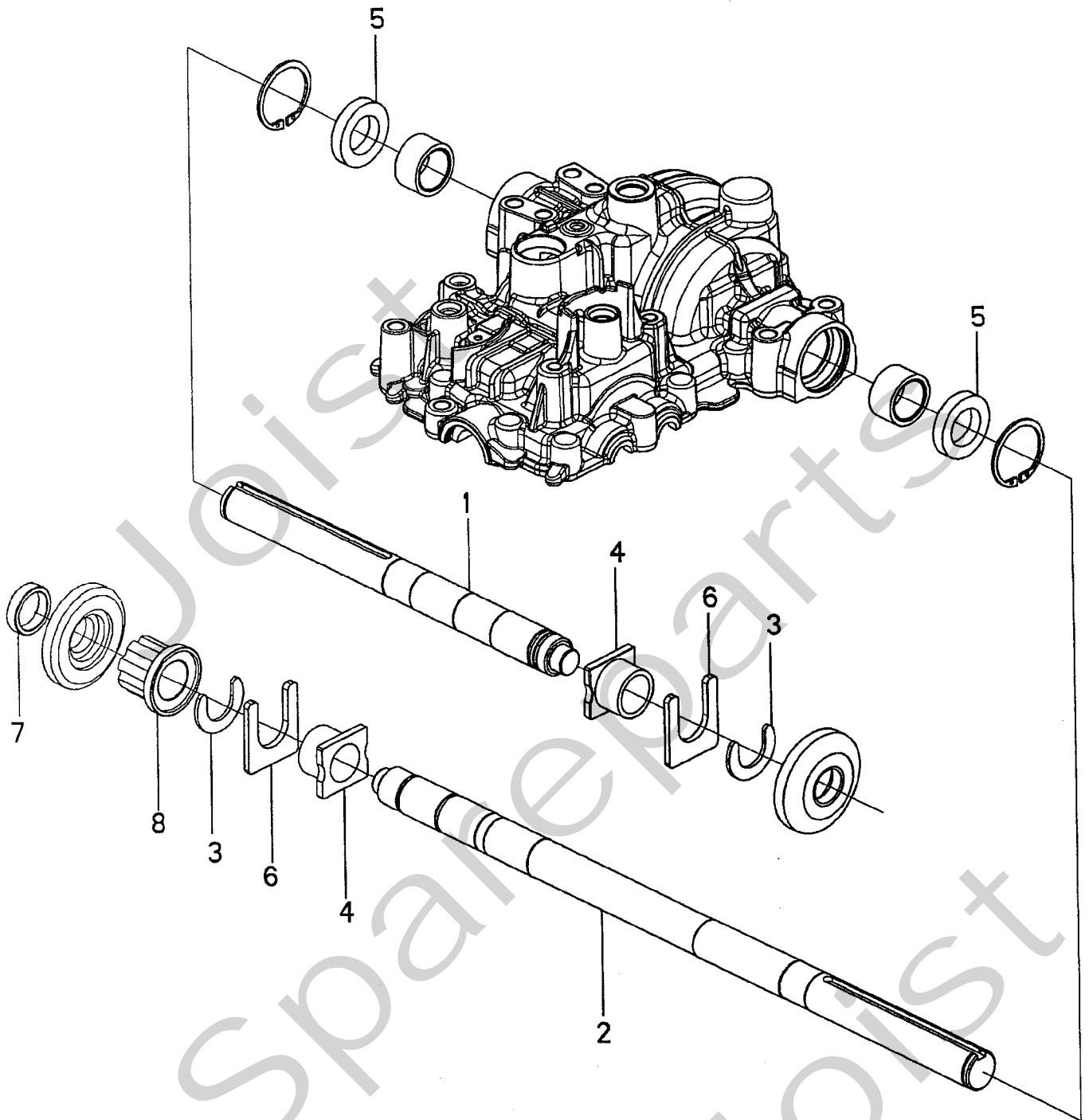
| Utgåva Issue | | Bildnr Picture No | | | KANZAKI TRANSAXEL KTM10F- KTM10G- KTM10M DIFFERENTIAL | | KANZAKI TRANSAXLE KTM10F- KTM10G- KTM10M DIFFERENTIAL GEAR | | Sida Page |
|-----------------|----------------|----------------------|------------|---|--|----------------------------|---|-------------|---------------------|
| Pos. Fig. | Antal/Quantity | | | | Art nr Part No | Benämning | Description | Sats Kit | Anmärkning Notes |
| | KTM 10F | KTM 10G | KTM 10M | | | | | | |
| X | 1 | 1 | 1 | 1 | 1139- 1439- 01 | Differentialdrev kpl | Differential gear kit..... | | Inkl. pos 2 - 3 |
| X | 4 | 2 | 2 | 2 | 1139- 1440- 01 | Axel | Pin | | |
| X | 5 | 1 | 1 | 1 | 1139- 1429- 01 | Slutdrev | Final gear | | |

KTM10M

5A

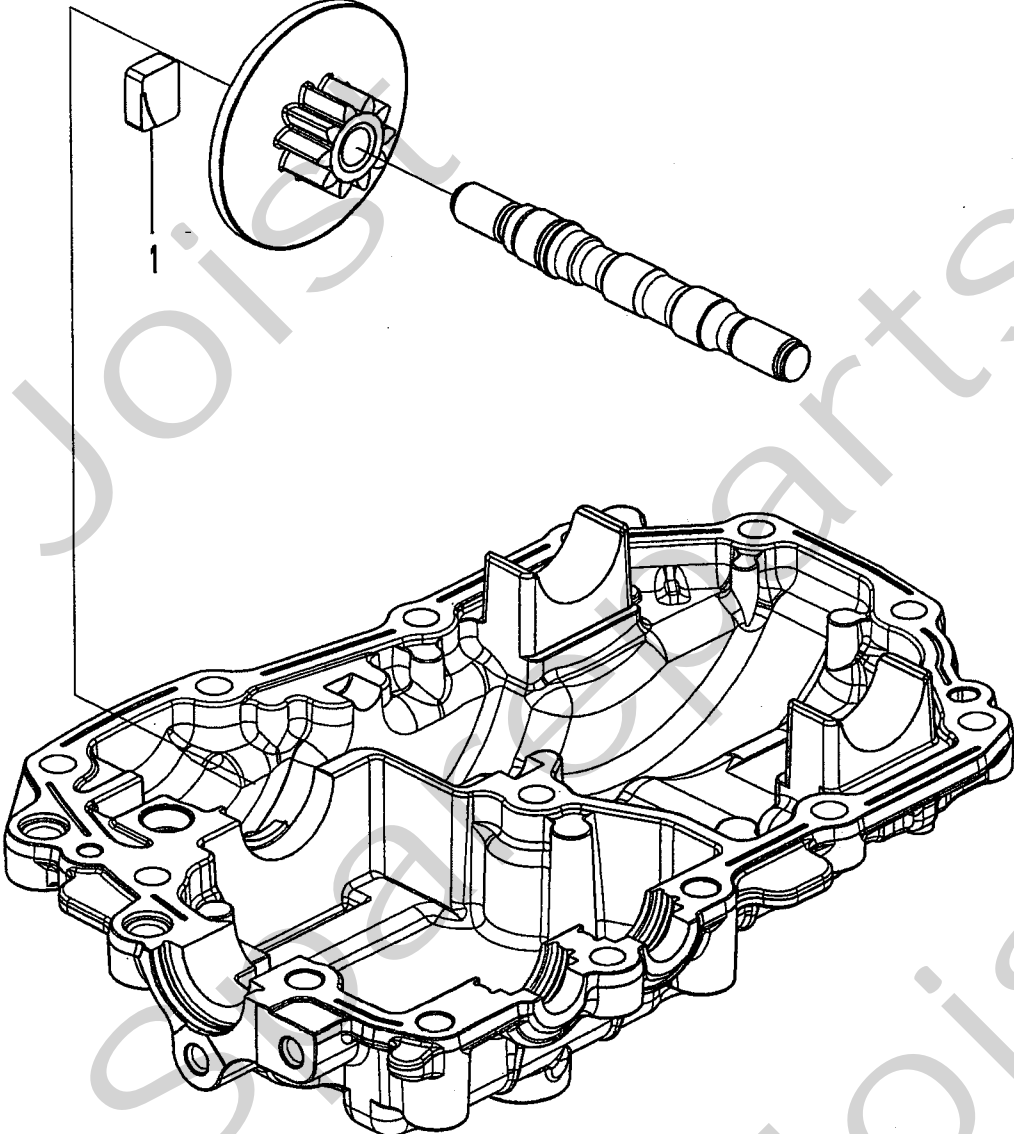
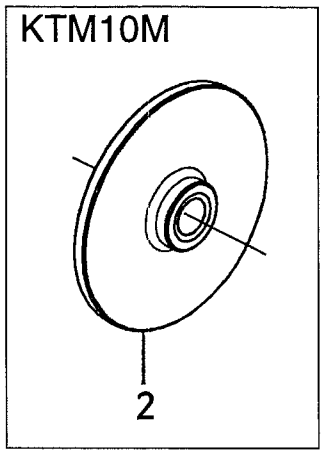


| Utgåva Issue | | Bildnr Picture No | | | KANZAKI TRANSAXEL KTM10F- KTM10G- KTM10M SLUTDREV | | KANZAKI TRANSAXLE KTM10F- KTM10G- KTM10M FINAL PINION | | Sida Page | |
|-----------------|----------------|----------------------|------------|---|--|----------------------|--|-------------|---------------------|--|
| 2006- 11 | | 2057 | | | | | | | 444 | |
| Pos. Fig. | Antal/Quantity | | | | Art nr Part No | Benämning | Description | Sats Kit | Anmärkning Notes | |
| | KTM 10F | KTM 10G | KTM 10M | | | | | | | |
| X | 1 | 1 | 1 | | 1139- 1427- 01 | Hylsa | Collar | | | |
| X | 1 | | | 1 | 1139- 1428- 01 | Hylsa | Collar | | | |
| | 2 | 1 | 1 | 1 | 1139- 1256- 01 | Reduktionsaxel | Reduction shaft | | | |
| | 3 | 2 | 2 | 2 | 1139- 1398- 01 | Bricka | Washer | | | |
| | 4 | 1 | 1 | 1 | 1139- 1361- 01 | Slutdrev | Final pinion | | | |
| X | 5 | 1 | 1 | | 1139- 1441- 01 | Reduktionsdrev | Reduction gear | | | |
| X | 5A | | | 1 | 1139- 1430- 01 | Reduktionsdrev | Reduction gear | | | |

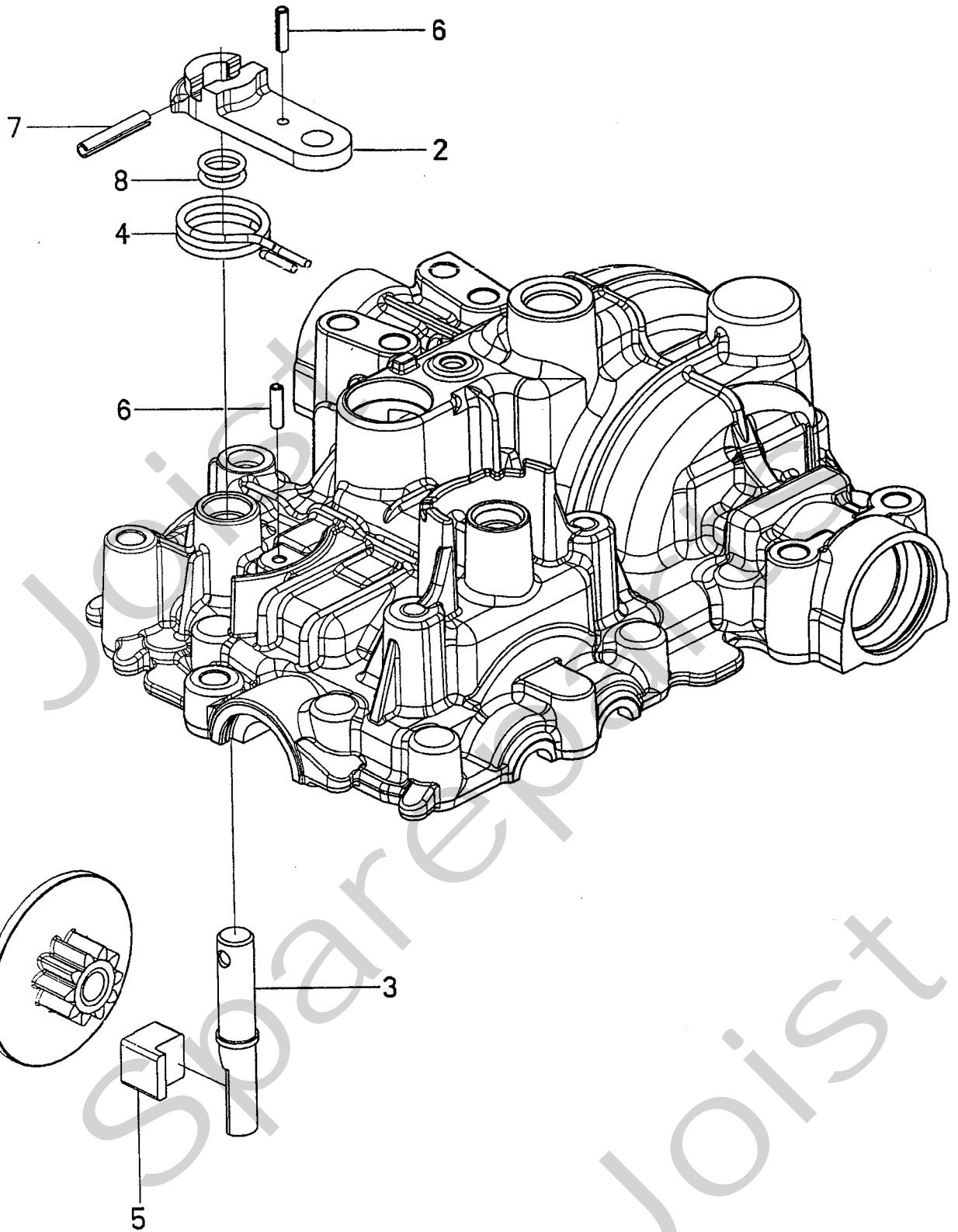


| | | | | |
|----------------------------|------------------------------|---|--|---------------------|
| Utgåva Issue 2006-11 | Bildnr Picture No 2058 | KANZAKI TRANSAXEL KTM10F-KTM10G-KTM10M HJULAXLAR | KANZAKI TRANSAXLE KTM10F-KTM10G-KTM10M AXLE SHAFT | Sida Page 446 |
|----------------------------|------------------------------|---|--|---------------------|

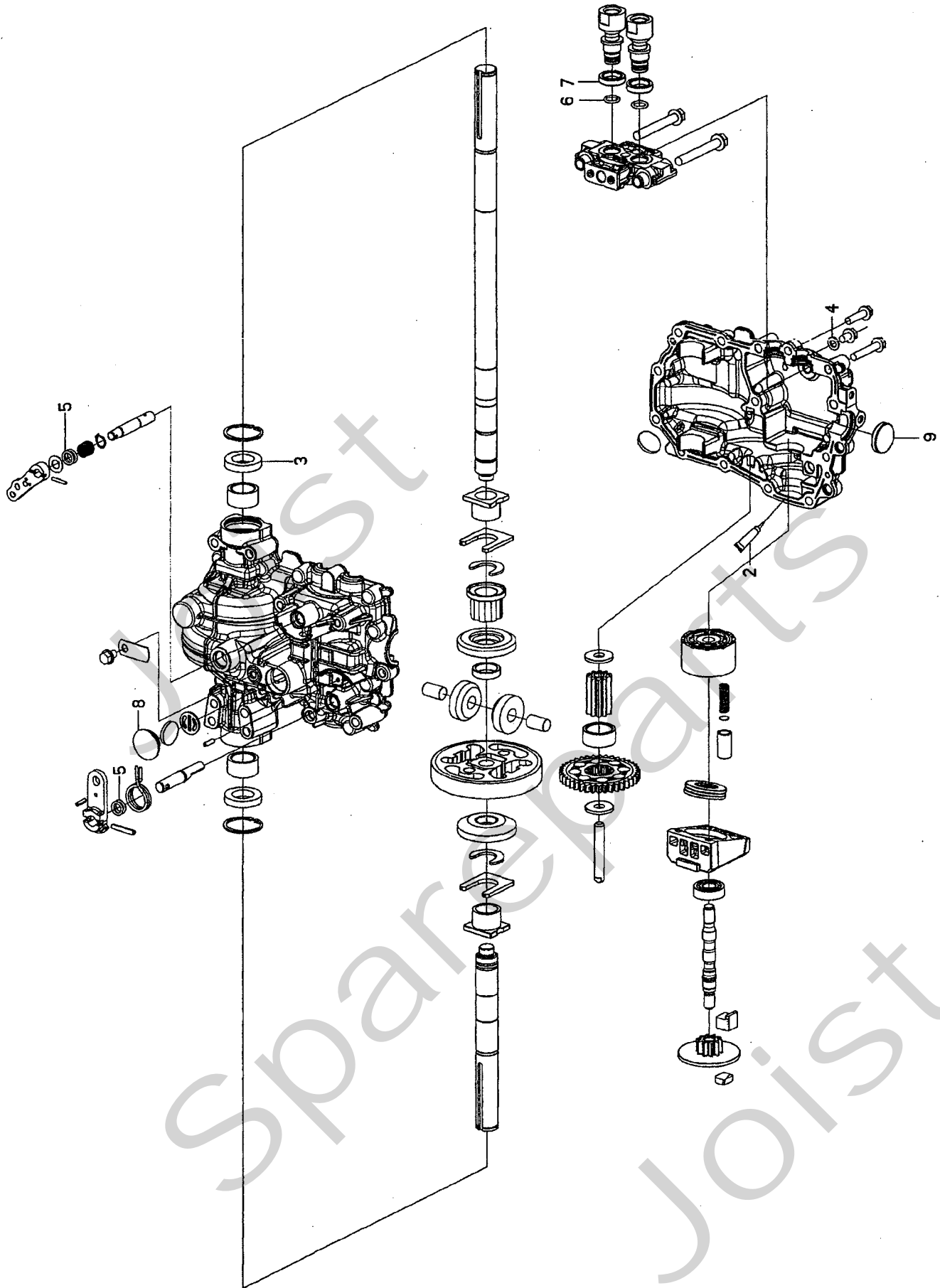
| Pos. Fig. | Antal/Quantity | | | Art nr Part No | Benämning | Description | Sats Kit | Anmärkning Notes |
|--------------|----------------|------------|------------|-------------------|------------------|--------------------|-------------|---------------------|
| | KTM 10F | KTM 10G | KTM 10M | | | | | |
| X | 1 | 1 | 1 | 1139-1431-01 | Hjulaxel..... | Axle..... | | |
| X | 1 | | 1 | 1139-1433-01 | Hjulaxel..... | Axle..... | | |
| X | 2 | 1 | 1 | 1139-1432-01 | Hjulaxel..... | Axle..... | | |
| X | 2 | | 1 | 1139-1434-01 | Hjulaxel..... | Axle..... | | |
| | 3 | 2 | 2 | 1139-1155-01 | Låsring..... | Ring..... | | |
| | 4 | 2 | 2 | 1139-1156-01 | Bussning..... | Bushing..... | | |
| | 5 | 2 | 2 | 1139-1044-01 | Tätning..... | Seal..... | | |
| | 6 | 2 | 2 | 1139-1194-01 | Tryckbricka..... | Thrust washer..... | | |
| X | 7 | 1 | 1 | 1139-1435-01 | Hylsa..... | Collar..... | | |
| | 8 | 1 | 1 | 1139-1330-01 | Hylsa..... | Collar..... | | |



| Utgåva Issue 2006-11 | | Bildnr Picture No 2061 | | KANZAKI TRANSAXEL KTM10F- KTM10M BROMS | | KANZAKI TRANSAXLE KTM10F- KTM10M BRAKE | | Sida Page 448 | |
|----------------------------|----------------|------------------------------|---|---|-----------------|---|-------------|---------------------|--|
| Pos. Fig. | Antal/Quantity | | | Art nr Part No | Benämning | Description | Sats Kit | Anmärkning Notes | |
| | KTM 10F | KTM 10M | | | | | | | |
| X 1 2 | 1 | 1 | 1 | 1139- 1260- 01 | Bromssko | Brake shoe | | | |
| | 2 | | 1 | 1139- 1451- 01 | Bromsskiva..... | Brake disc | | | |

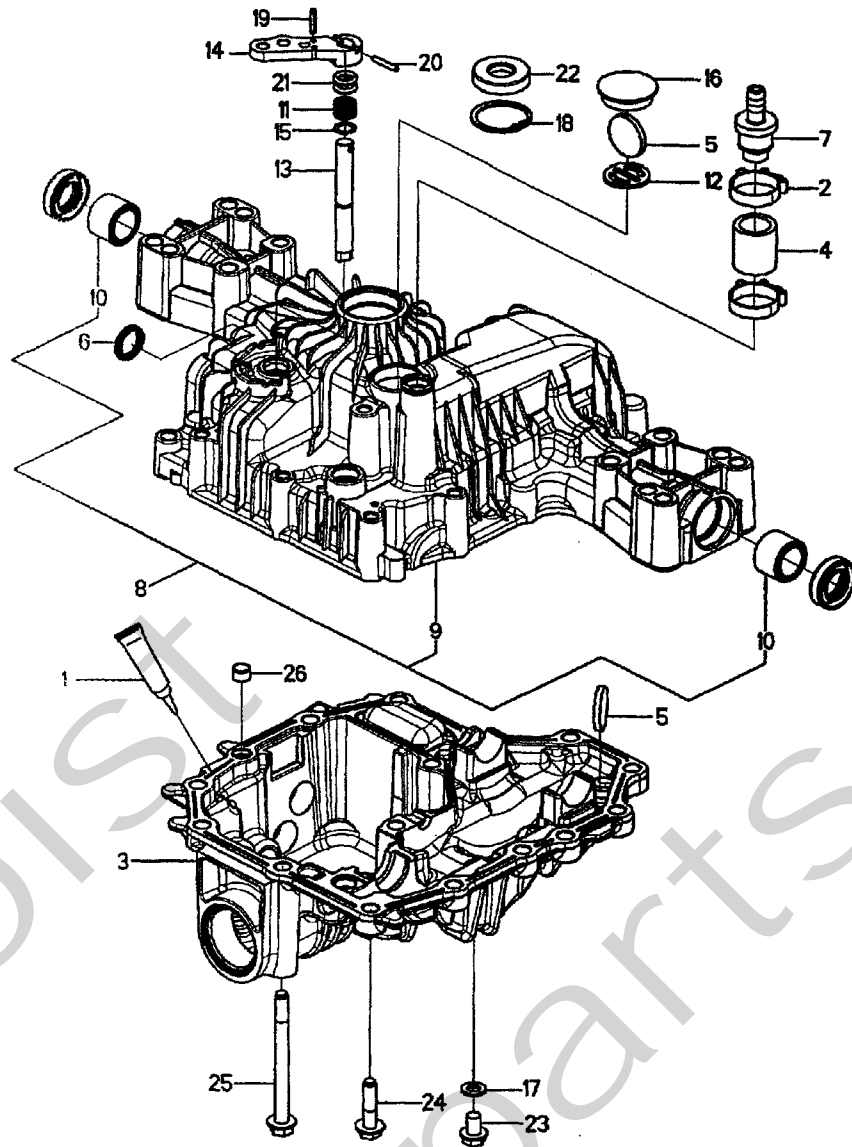


| Utgåva Issue | | Bildnr Picture No | | KANZAKI TRANSAXEL KTM10G BROMS | | KANZAKI TRANSAXLE KTM10G BRAKE | | Sida Page | |
|-----------------|----------------|----------------------|--|---|---------------------|---|-------------|---------------------|--|
| 2006-11 | | 2059 | | | | | | 450 | |
| Pos. Fig. | Antal/Quantity | | | Art nr Part No | Benämning | Description | Sats Kit | Anmärkning Notes | |
| | KTM 10G | | | | | | | | |
| 1 | 1 | | | 1139-1260-01 | Bromssko | Brake shoe | | | |
| 2 | 1 | | | 1139-1261-01 | Bromsarm | Brake arm | | | |
| 3 | 1 | | | 1139-1320-01 | Bromsaxel | Brake shaft | | | |
| 4 | 1 | | | 1139-1263-01 | Returfjäder | Return spring | | | |
| 5 | 1 | | | 1139-1264-01 | Bromstryckare | Brake actuator | | | |
| 6 | 2 | | | 1139-1281-01 | Stift | Pin | | | |
| 7 | 1 | | | 1139-1282-01 | Stift | Pin | | | |
| 8 | 2 | | | 1139-1114-01 | O-ring | O-ring | | | |

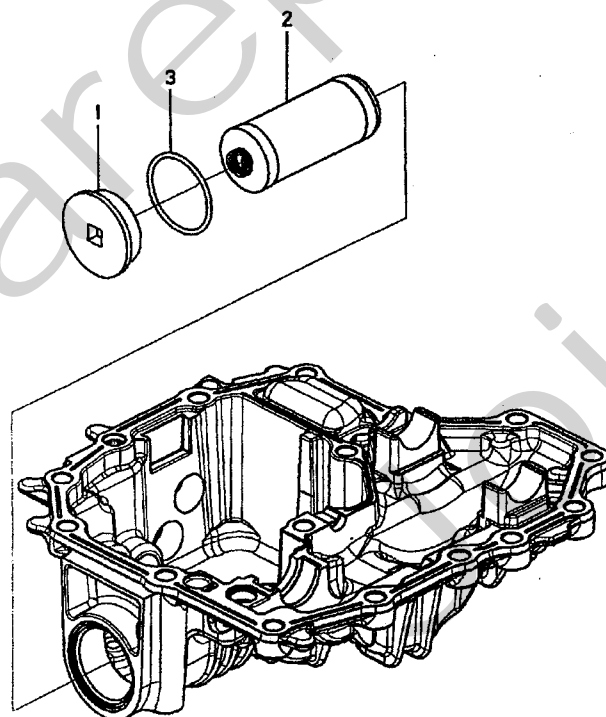


| Utgåva Issue | | Bildnr Picture No | | | KANZAKI TRANSAXEL KTM10F- KTM10G- KTM10M SERVICESATS | | KANZAKI TRANSAXLE KTM10F- KTM10G- KTM10M SERVICE KIT | | Sida Page |
|-----------------|----------------|----------------------|------------|---|---|------------------------|---|-------------|---------------------|
| 2006- 11 | | 2060 | | | | | | | 452 |
| Pos. Fig. | Antal/Quantity | | | | Art nr Part No | Benämning | Description | Sats Kit | Anmärkning Notes |
| | KTM 10F | KTM 10G | KTM 10M | | | | | | |
| X | 1 | 1 | | 1 | 1139- 1436- 01 | Servicesats | Seal kit | | Inkl. pos 2 - 9 |
| X | 1 | | 1 | | 1139- 1437- 01 | Servicesats | Seal kit | | Inkl. pos 2 - 9 |
| X | 2 | 1 | 1 | 1 | 1139- 1443- 01 | • Tätningsmedel | • Sealant | | |
| | 3 | 2 | 2 | 2 | 1139- 1044- 01 | • Tätning | • Seal | | |
| | 4 | 2 | 2 | 2 | 1139- 1103- 01 | • Tätningsbricka | • Seal washer | | |
| | 5 | 2 | 4 | 2 | 1139- 1114- 01 | • O- ring | • O- ring | | |
| X | 6 | 2 | 2 | 2 | 1139- 1446- 01 | • Packning | • Packing | | |
| X | 7 | 2 | 2 | 2 | 1139- 1447- 01 | • Tätningsring | • Seal | | |
| | 8 | 1 | 1 | 1 | 1139- 1397- 01 | • Tätningshuv | • Sealing cap | | |
| X | 9 | 1 | 1 | 1 | 1139- 1450- 01 | • Tätningshuv | • Sealing cap | | |

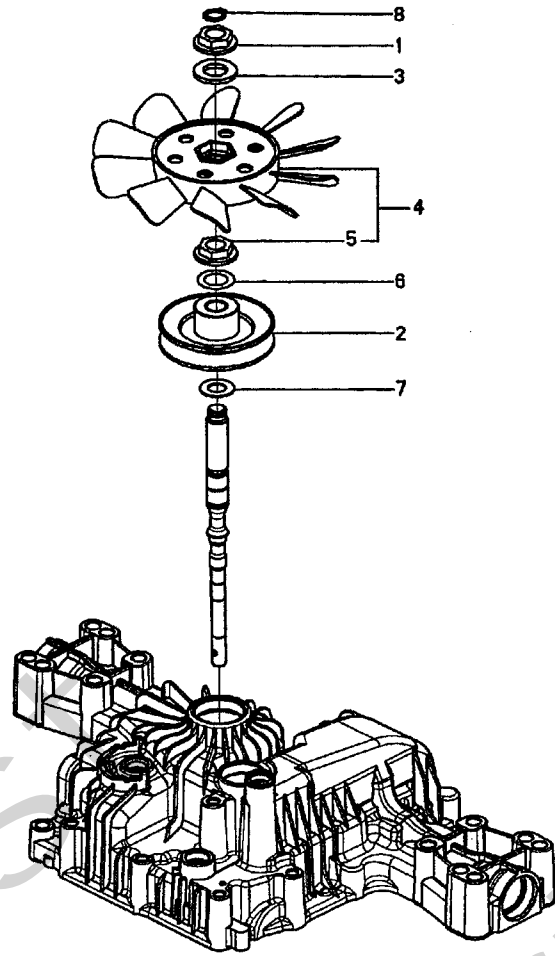
A



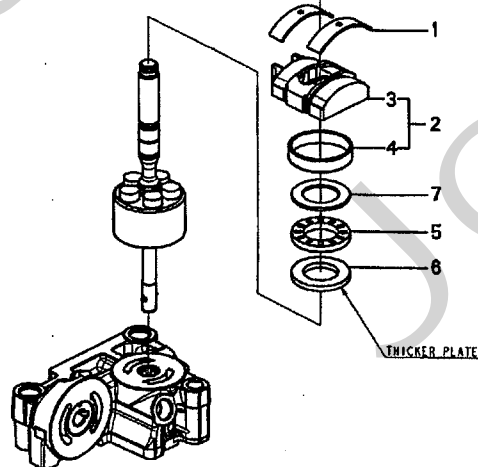
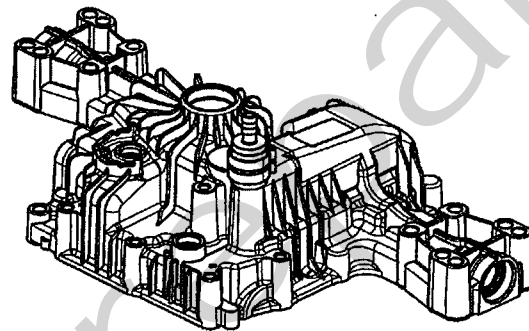
B



A

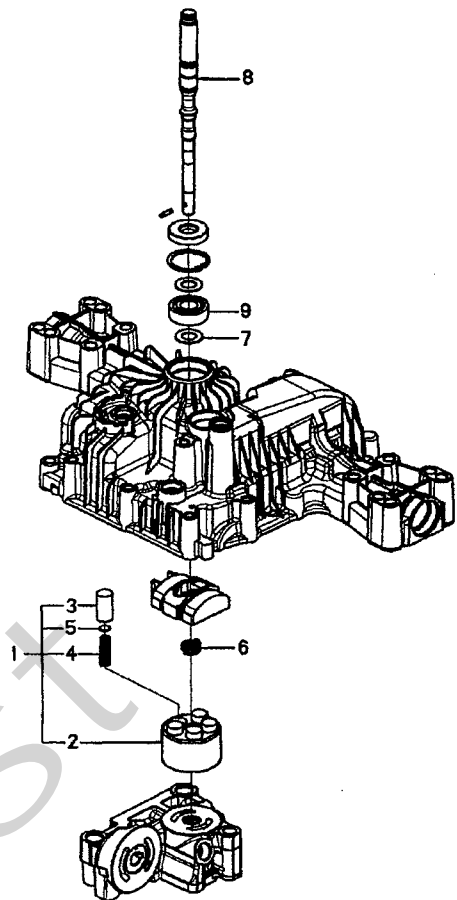


B

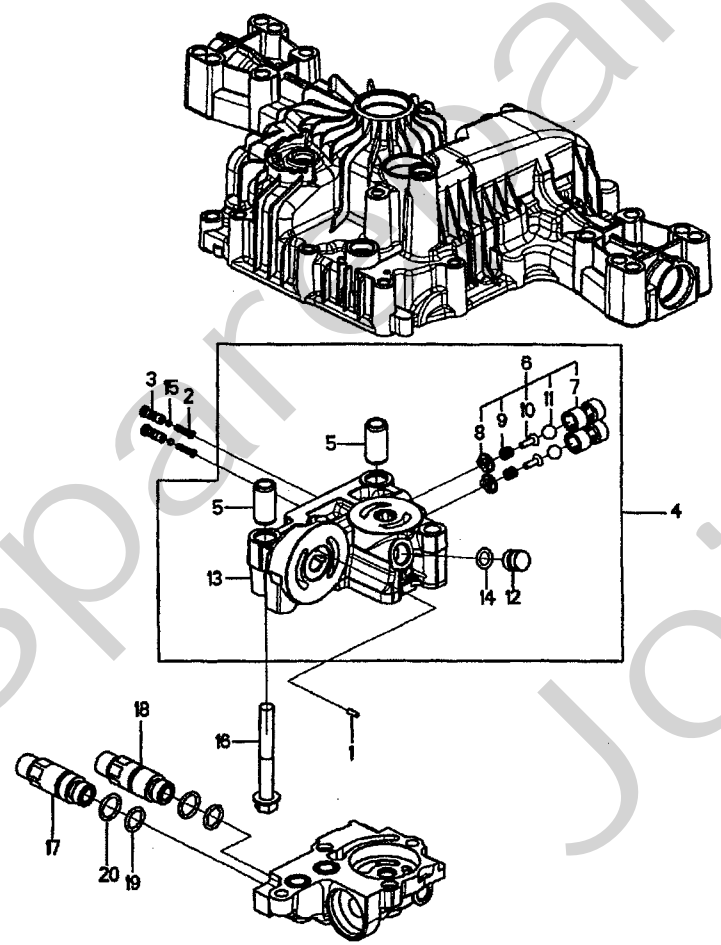


| Utgåva Issue 2006-11 | | Bildnr Picture No 2063 | | KANZAKI TRANSAXEL K574B- K574F FLÄKT- RIKTNINGSVÄLJ | | KANZAKI TRANSAXLE K574B- K574F FAN- RANGE SHIFT | | Sida Page 456 | |
|----------------------------|----------------|------------------------------|--|--|-----------------------|--|-------------|---------------------|--|
| Pos. Fig. | Antal/Quantity | | | Art nr Part No | Benämning | Description | Sats Kit | Anmärkning Notes | |
| | 574B | 574F | | | | | | | |
| X A01 | 1 | 1 | | 1139-1248-01 | Krage | Spline collar | | | |
| A02 | 1 | 1 | | 1139-1469-01 | Remskiva | Pulley | | | |
| A03 | 1 | 1 | | 1139-1276-01 | Bricka | Collar | | | |
| A04 | 1 | 1 | | 1134-4190-01 | Fläkt | Fan | | | |
| A05 | 1 | 1 | | 1139-1248-01 | Krage | Spline collar | | | |
| A06 | 1 | 1 | | 1139-1266-01 | Låsbricka | Lock washer | | | |
| A07 | 1 | 1 | | 1139-1146-01 | Låsring | Ring | | | |
| A08 | 1 | 1 | | 1139-1149-01 | Låsring | Snap ring | | | |
| B01 | 2 | 2 | | 1139-1066-01 | Tryckplatta | Metal thrust | | | |
| B02 | 1 | 1 | | 1139-1067-01 | Stänkplatta kpl | Swash plate assy | | Inkl. pos 3 - 4 | |
| B05 | 1 | 1 | | 1139-1068-01 | Lager | Bearing | | | |
| B06 | 1 | 1 | | 1139-1069-01 | Tryckplatta | Thrust plate | | | |
| B07 | 1 | 1 | | 1139-1070-01 | Tryckplatta | Thrust plate | | | |

A

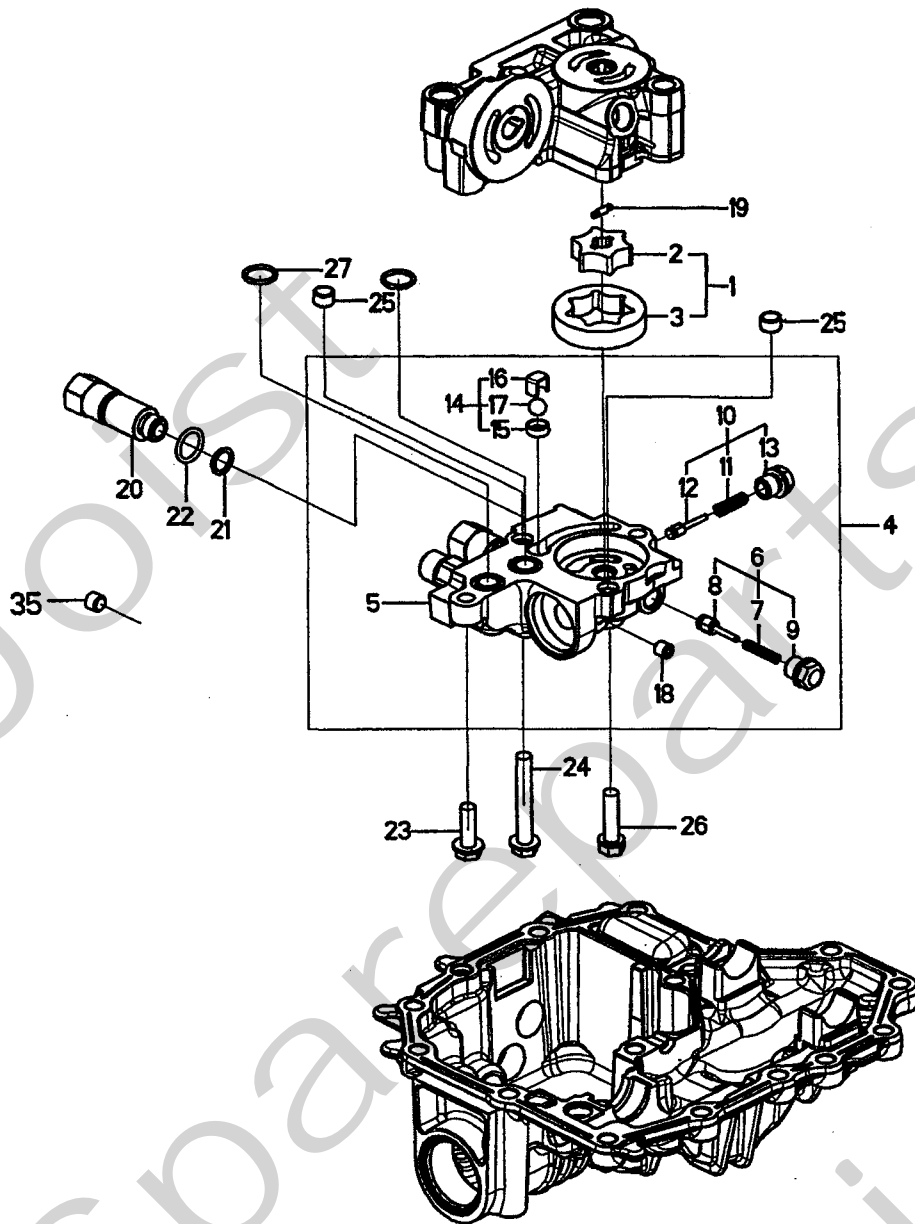


B



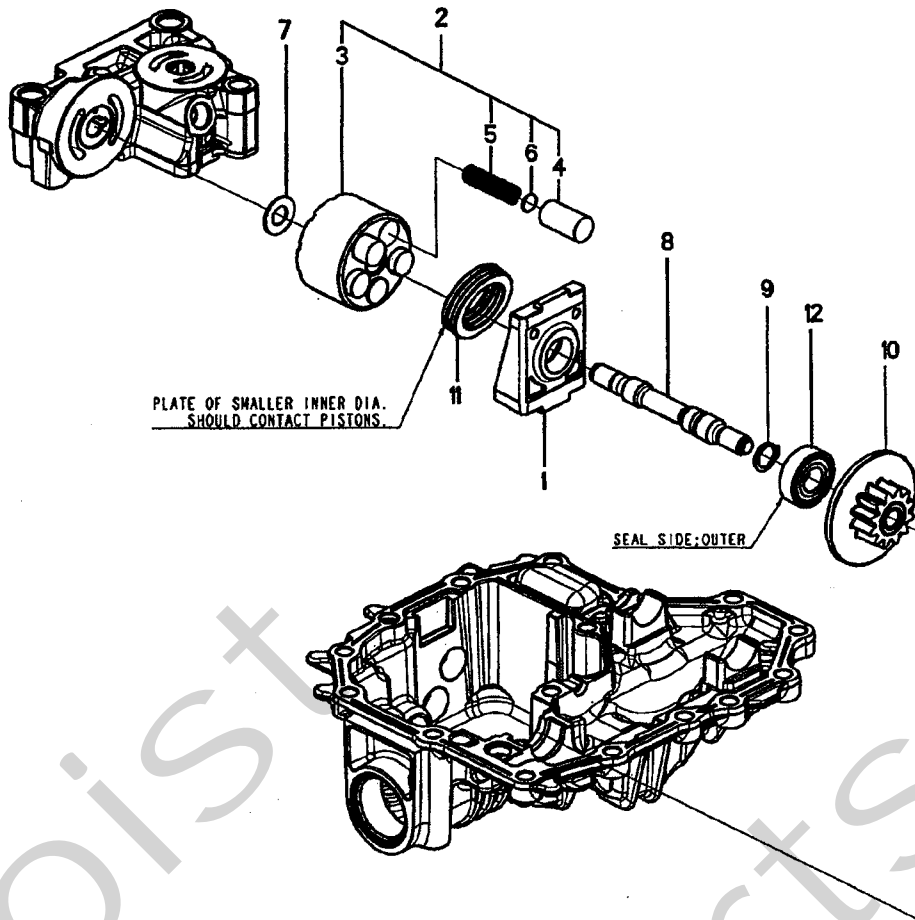
| Utgåva Issue | | Bildnr Picture No | | KANZAKI TRANSAXEL K574B- K574F PUMPAXEL-CENTRUMHUS | | KANZAKI TRANSAXLE K574B- K574F PUMP SHAFT-CENT.CASE | | Sida Page | |
|-----------------|----------------|----------------------|---|---|--------------------------------------|--|-------------|---------------------|--|
| 2006-11 | | 2064 | | | | | | 458 | |
| Pos. Fig. | Antal/Quantity | | | Art nr Part No | Benämning | Description | Sats Kit | Anmärkning Notes | |
| | 574B | 574F | | | | | | | |
| | A01 | 1 | 1 | | 1139-1356-01 Cylinderblock kpl | Cylinder block assy | | Inkl. pos 2 - 5 | |
| | A06 | 1 | 1 | | 1139-1245-01 Fjäder..... | Spring | | | |
| | A07 | 2 | 2 | | 1139-1146-01 Låsring | Ring | | | |
| X | A08 | 1 | 1 | | 1139-1466-01 Pumpaxel..... | Pump shaft | | | |
| | A09 | 1 | 1 | | 1139-1110-01 Kullager | Ball bearing | | | |
| | B01 | 1 | 1 | | 1139-1158-01 Stift..... | Pin | | | |
| | B02 | 2 | 2 | | 1139-1243-01 Fjäder..... | Spring | | | |
| X | B03 | 2 | 2 | | 1139-1468-01 Ventil | IDS valve | | | |
| X | B04 | 1 | 1 | | 1139-1465-01 Centrumhus..... | Center case | | Inkl. pos 5 - 14 | |
| | B14 | 1 | 1 | | 1139-1117-01 • O-ring..... | • O-ring | | | |
| | B15 | 2 | 2 | | 1139-1307-01 Filter | Filter | | | |
| | B16 | 3 | 3 | | 1139-1294-01 Bult | Bolt | | | |
| X | B17 | 1 | 1 | | 1139-1459-01 Nippel | Piping | | | |
| X | B18 | 1 | 1 | | 1139-1460-01 Nippel | Piping | | | |
| X | B19 | 2 | 2 | | 1139-1474-01 Packning..... | Packing | | | |
| | B20 | 2 | 2 | | 1139-0239-01 Packning..... | Packing | | | |

A

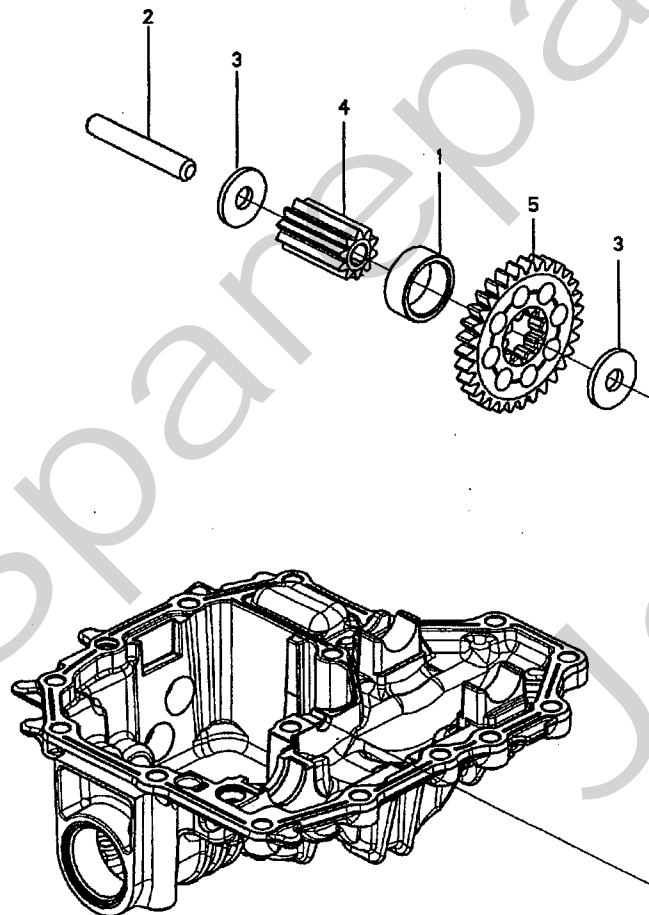


| Utgåva Issue | | Bildnr Picture No | | KANZAKI TRANSAXEL K574B- K574F PUMP | | KANZAKI TRANSAXLE K574B- K574F CHARGE PUMP | | Sida Page | |
|-----------------|----------------|----------------------|---|--|-------------------------------|---|-------------|---------------------|--|
| 2006- 11 | | 2065 | | | | | | 460 | |
| Pos. Fig. | Antal/Quantity | | | Art nr Part No | Benämning | Description | Sats Kit | Anmärkning Notes | |
| | 574B | 574F | | | | | | | |
| X | A06 | 1 | 1 | | 1139-1463-01 Ventil | Valve | | Inkl. pos 7 - 9 | |
| X | A09 | 1 | 1 | | 1139-1461-01 • Plugg | • Plug | | | |
| X | A10 | | 1 | | 1139-1462-01 Ventil | Valve | | Inkl. pos 11 - 13 | |
| X | A13 | | 1 | | 1139-1461-01 • Plugg | • Plug | | | |
| | A14 | 1 | 1 | | 1139-1234-01 Ventil kpl..... | Check assy | | Inkl. pos 15 - 17 | |
| | A16 | 1 | 1 | | 1139-1233-01 • Hållare | • Holder | | | |
| | A18 | 1 | 1 | | 1139-1167-01 Plugg | Plug | | | |
| X | A19 | 1 | 1 | | 1139-1452-01 Sprint..... | Pin | | | |
| X | A20 | | 2 | | 1139-1464-01 Anslutning | Connector | | | |
| | A21 | | 2 | | 1139-1168-01 Packning..... | Packing | | | |
| | A22 | | 2 | | 1139-0239-01 Packning..... | Packing | | | |
| X | A23 | 1 | 1 | | 1139-1472-01 Bult..... | Bolt | | | |
| X | A24 | 1 | 1 | | 1139-1473-01 Bult..... | Bolt | | | |
| | A25 | 2 | 2 | | 1139-1166-01 Tapp..... | Pin | | | |
| X | A26 | 2 | 2 | | 1139-1471-01 Bult..... | Bolt | | | |
| | A27 | 2 | 2 | | 1139-1013-01 O- ring | O- ring | | | |
| | A35 | 1 | | | 1139-1107-01 Plugg | Plug | | | |

A

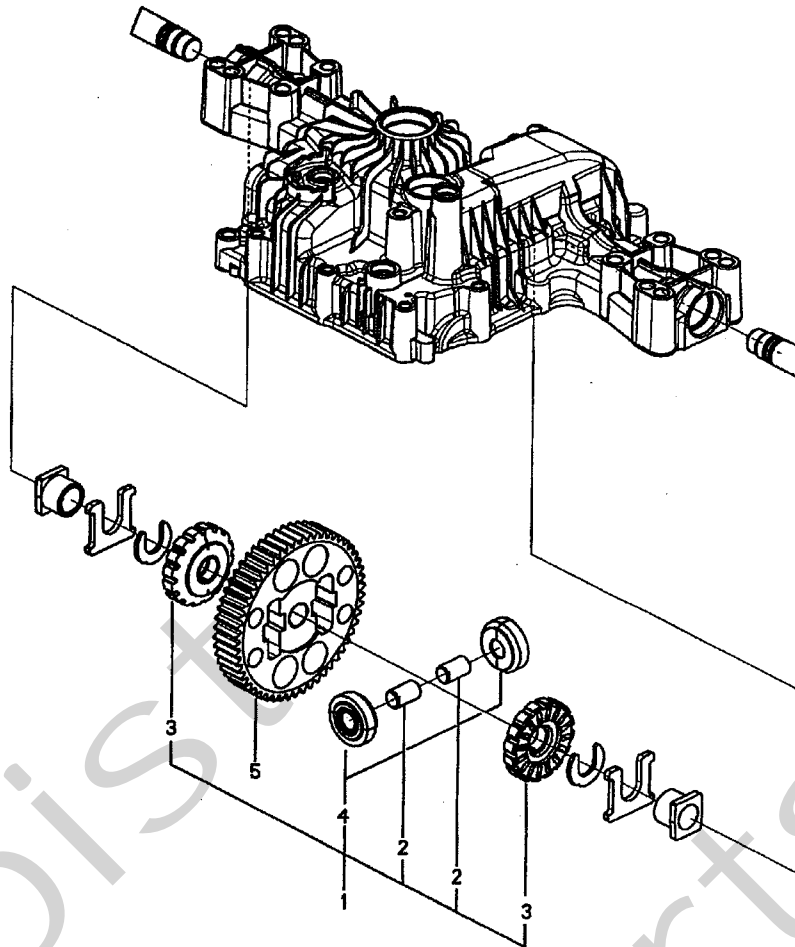


B

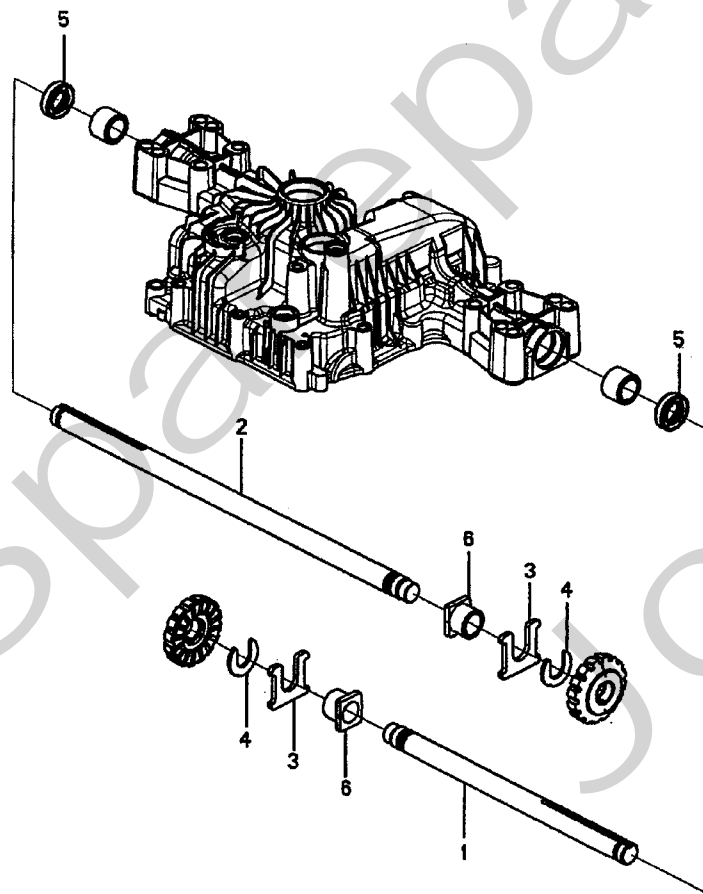


| Utgåva Issue | | Bildnr Picture No | | KANZAKI TRANSAXEL K574B- K574F MOTORAXEL- SLUTDREV | | KANZAKI TRANSAXLE K574B- K574F MOT.SHAFT- FINAL PINIO | | Sida Page | |
|-----------------|----------------|----------------------|---|---|-------------------------------------|--|-------------|---------------------|--|
| 2006- 11 | | 2066 | | | | | | 462 | |
| Pos. Fig. | Antal/Quantity | | | Art nr Part No | Benämning | Description | Sats Kit | Anmärkning Notes | |
| | 574B | 574F | | | | | | | |
| X | A01 | 1 | 1 | | 1139- 1458- 01 Hus | Housing | | | |
| X | A02 | 1 | 1 | | 1139- 1454- 01 Cylinderblock | Cylinder block | | Inkl. pos 3 - 6 | |
| | A07 | 1 | 1 | | 1139- 1160- 01 Bricka | Washer | | | |
| | A08 | 1 | 1 | | 1139- 1353- 01 Motoraxel | Motor shaft | | | |
| | A09 | 1 | 1 | | 1139- 1021- 01 Låsring | Snap ring | | | |
| | A10 | 1 | 1 | | 1139- 1272- 01 Motordrev | Motor gear | | | |
| X | A11 | 1 | 1 | | 1139- 1438- 01 Lager | Bearing | | | |
| X | A12 | 1 | 1 | | 1139- 1453- 01 Lager | Bearing | | | |
| | B01 | 1 | 1 | | 1139- 1255- 01 Hylsa | Collar | | | |
| | B02 | 1 | 1 | | 1139- 1256- 01 Reduktionsaxel | Reduction shaft | | | |
| | B03 | 2 | 2 | | 1139- 1398- 01 Bricka | Washer | | | |
| | B04 | 1 | 1 | | 1139- 1361- 01 Slutdrev | Final pinion | | | |
| | B05 | 1 | 1 | | 1139- 1267- 01 Reduktionsdrev | Reduction gear | | | |

A

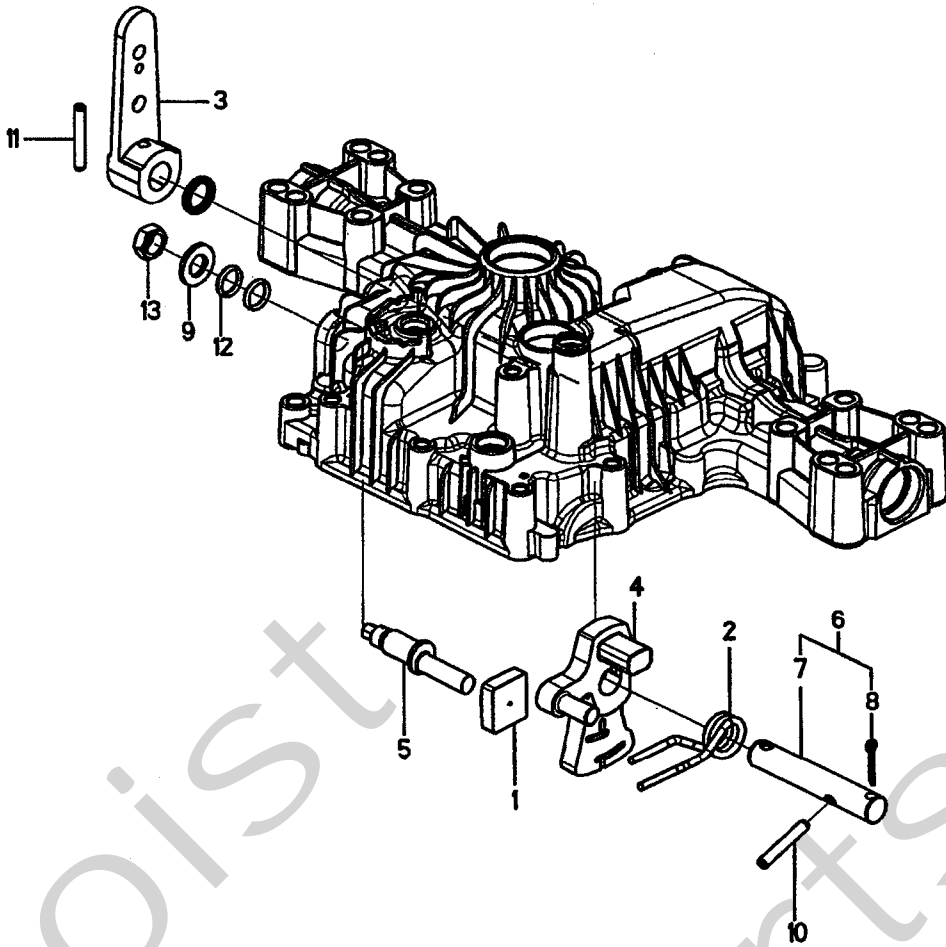


B

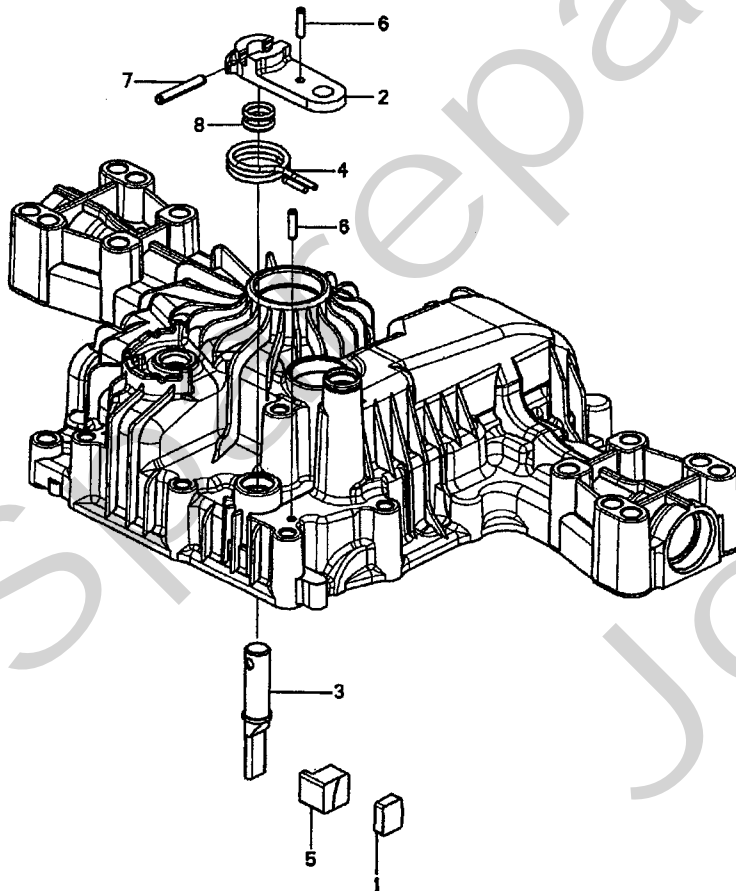


| Utgåva Issue 2006-11 | | Bildnr Picture No 2067 | | KANZAKI TRANSAXEL K574B- K574F DIFF.DREV- HJULAXLAR | | KANZAKI TRANSAXLE K574B- K574F DIFF.GEAR- AXLE SHAFTS | | Sida Page 464 | |
|----------------------------|----------------|------------------------------|---|--|----------------------------|--|-------------|---------------------|--|
| Pos. Fig. | Antal/Quantity | | | Art nr Part No | Benämning | Description | Sats Kit | Anmärkning Notes | |
| | 574B | 574F | | | | | | | |
| X | A01 | 1 | 1 | 1139-1404-01 | Differentialdrev kpl | Differential gear kit..... | | Inkl. pos 2 - 4 | |
| | A05 | 1 | 1 | 1139-1258-01 | Slutdrev | Final gear | | | |
| | B01 | 1 | 1 | 1139-1344-01 | Hjulaxel- vä | Axle shaft- left | | | |
| | B02 | 1 | 1 | 1139-1345-01 | Hjulaxel- hö | Axle shaft- right | | | |
| | B03 | 2 | 2 | 1139-1078-01 | Tryckbricka | Thrust washer | | | |
| | B04 | 2 | 2 | 1139-1163-01 | Låsring | Ring | | | |
| | B05 | 2 | 2 | 1139-1080-01 | Tätning | Seal | | | |
| | B06 | 2 | 2 | 1139-1164-01 | Bussning | Bushing..... | | | |

A



B



| Utgåva Issue | | Bildnr Picture No | | KANZAKI TRANSAXEL K574B- K574F REGLERAXEL- BROMS | | KANZAKI TRANSAXLE K574B- K574F CONTROL SHAFT- BRAKE | | Sida Page | |
|-----------------|----------------|----------------------|---|---|--------------------|--|-------------|---------------------|--|
| 2006-11 | | 2068 | | | | | | 466 | |
| Pos. Fig. | Antal/Quantity | | | Art nr Part No | Benämning | Description | Sats Kit | Anmärkning Notes | |
| | 574B | 574F | | | | | | | |
| X | A01 | 1 | 1 | 1139-1408-01 | Platta | Jerky plate..... | | Inkl. pos 7 - 8 | |
| | A02 | 1 | 1 | 1139-1312-01 | Fjäder..... | Spring | | | |
| | A03 | 1 | 1 | 1139-1325-01 | Reglerarm..... | Control lever | | | |
| X | A04 | 1 | 1 | 1139-1409-01 | Reglerarm..... | Control arm..... | | | |
| X | A05 | 1 | 1 | 1139-1410-01 | Excenter..... | Fulcrum..... | | | |
| X | A06 | 1 | 1 | 1139-1412-01 | Regleraxel..... | Control shaft | | | |
| | A07 | 1 | 1 | 1139-1354-01 | • Regleraxel..... | • Control shaft | | | |
| | A08 | 1 | 1 | 1139-1355-01 | • Saxpinne..... | • Cotter pin | | | |
| | A09 | 1 | 1 | 1139-1102-01 | Bricka | Washer..... | | | |
| | A10 | 1 | 1 | 1139-1329-01 | Stift..... | Pin | | | |
| | A11 | 1 | 1 | 1139-1285-01 | Stift..... | Pin | | | |
| | A12 | 2 | 2 | 1139-1115-01 | O-ring | O-ring..... | | | |
| | A13 | 1 | 1 | 1139-1127-01 | Mutter..... | Nut | | | |
| | B01 | 1 | 1 | 1139-1260-01 | Bromssko | Brake shoe | | | |
| | B02 | 1 | 1 | 1139-1261-01 | Bromsarm | Brake arm | | | |
| | B03 | 1 | 1 | 1139-1320-01 | Bromsaxel | Brake shaft..... | | | |
| X | B04 | 1 | 1 | 1139-1411-01 | Returfjäder | Return spring..... | | | |
| | B05 | 1 | 1 | 1139-1264-01 | Bromstryckare..... | Brake actuator | | | |
| | B06 | 2 | 2 | 1139-1281-01 | Stift..... | Pin | | | |
| | B07 | 1 | 1 | 1139-1282-01 | Stift..... | Pin | | | |
| | B08 | 2 | 2 | 1139-1114-01 | O-ring | O-ring..... | | | |