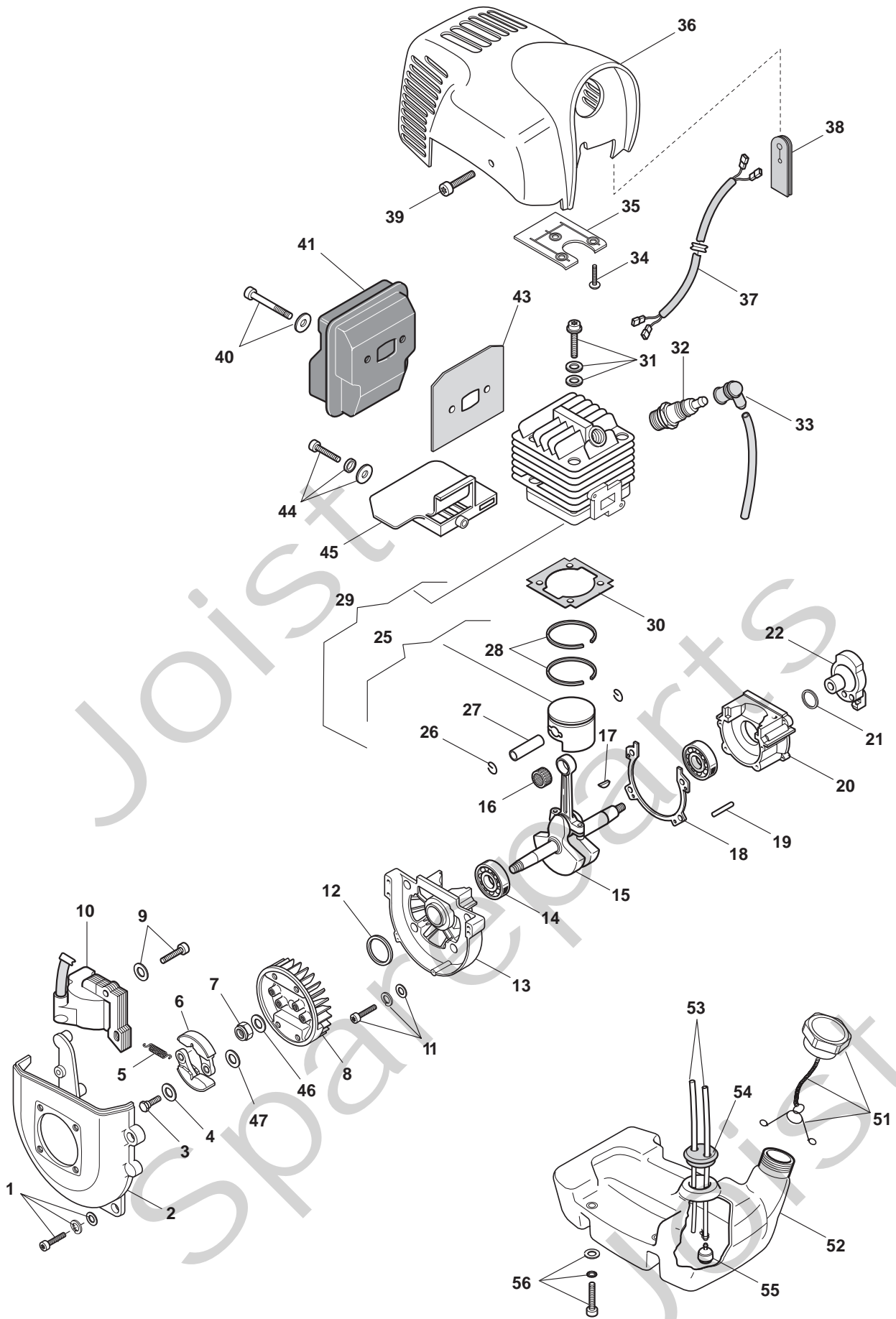


# Genuine Spare Parts

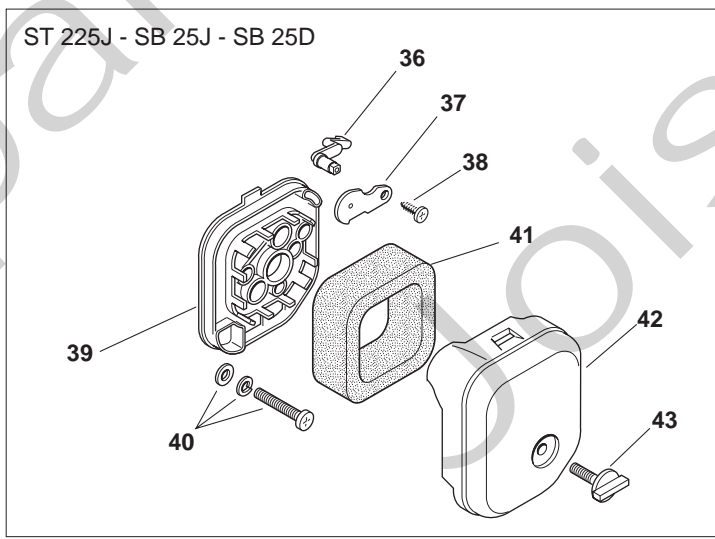
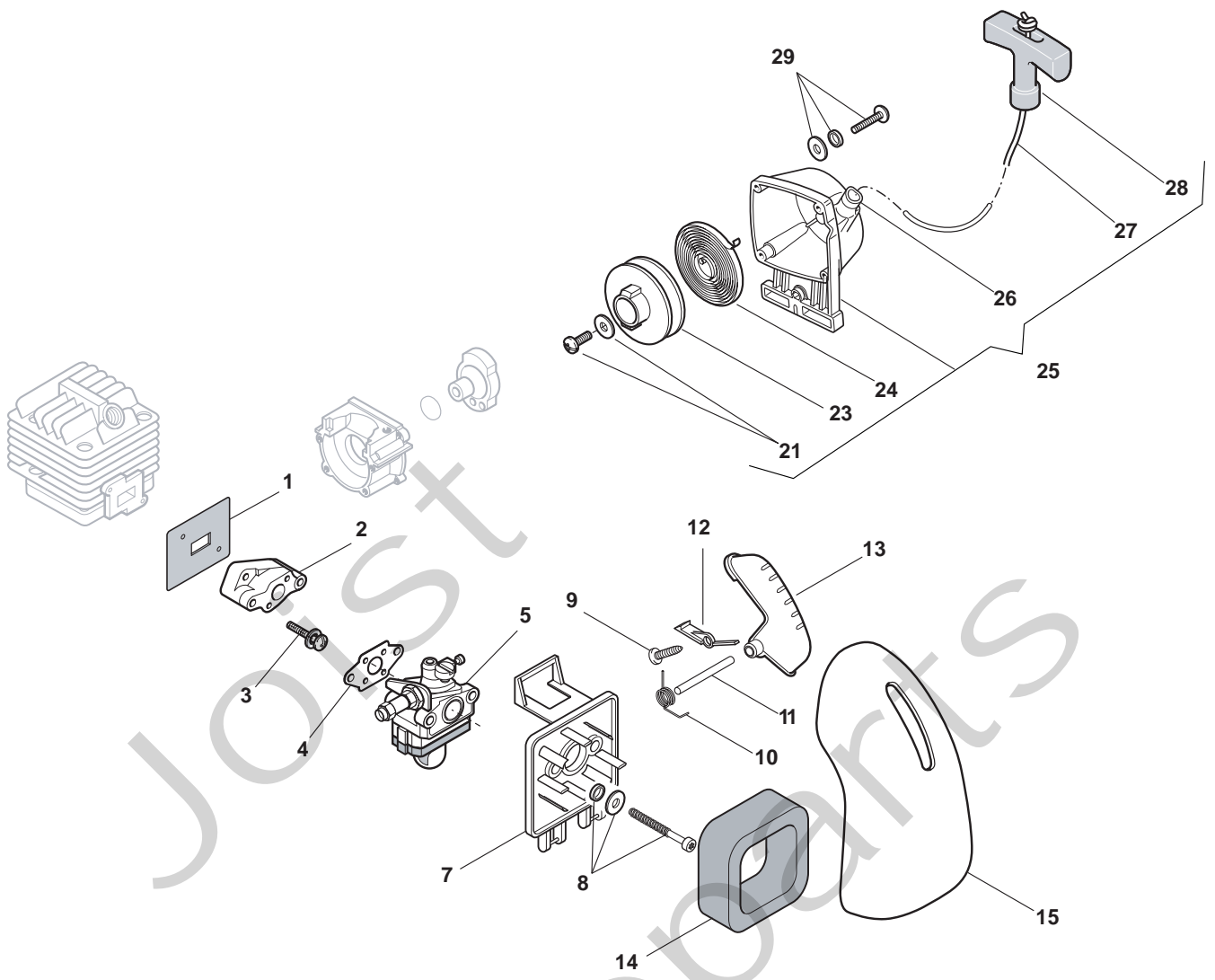
---



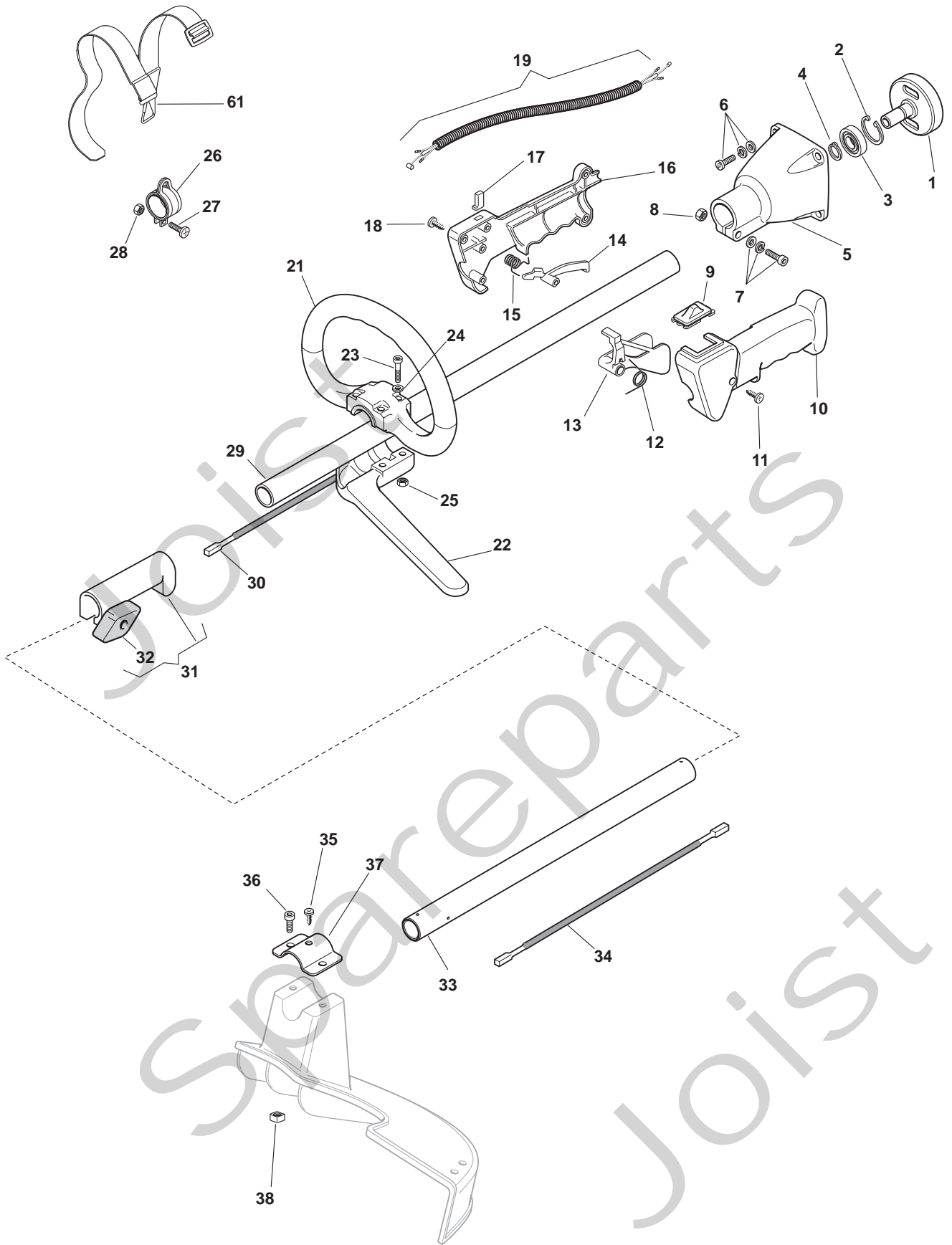
Joist  
Spareparts  
Joist



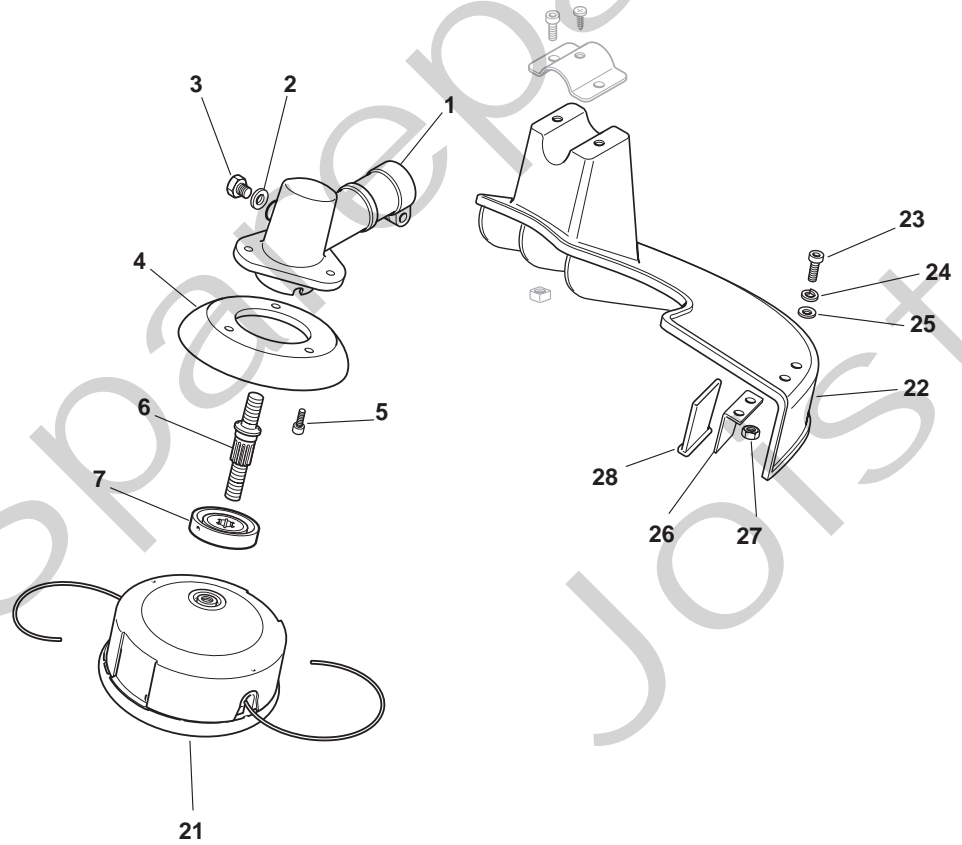
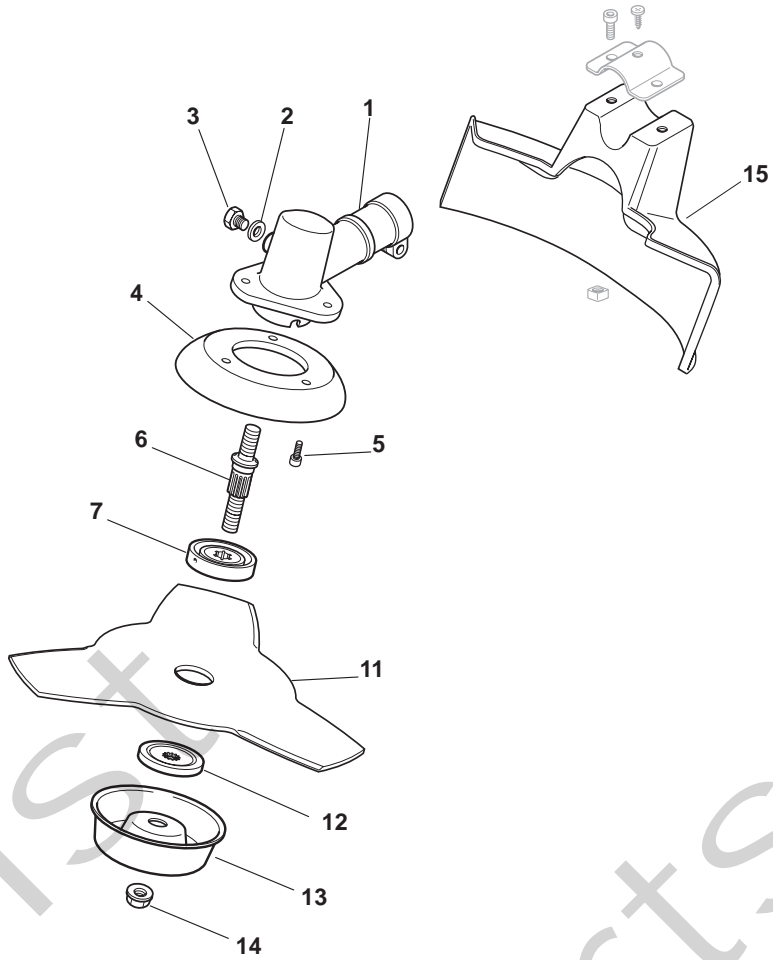
Utgåva Issue		Bildnr Picture No		ST 225J- SB 25J- SB 25D ST 291 SB 27J- SB 29J MOTOR		ST 225J- SB 25J- SB 25D ST 291 SB 27J- SB 29J ENGINE		Sida Page	
2007- 12		1968B						276	
Pos. Fig.	Antal/Quantity			Art nr Part No	Benämning	Description	Sats Kit	Anmärkning Notes	
	1025 6109	1031 6116 6117							
1	4	4		6981113	Skrivsats.....	Screw set.....			
2	1	1		6981009	Stödhus.....	Transm.support case.....			
3	2	2		6981035	Skruv.....	Screw.....			
4	2	2		6981033	Bricka.....	Washer.....			
5	1	1		6981034	Fjäder.....	Spring.....			
6	2	2		6981032	Koppling.....	Clutch unit.....			
7	1	1		6981143	Mutter.....	Nut.....			
8	1	1		6981002	Svänghjul.....	Flywheel.....			
9	2	2		6981116	Skruv.....	Screw.....			
10	1	1		6981001	Elektronikspole.....	Electronic coil.....			
11	4	4		6981114	Skruv.....	Screw.....			
12	1	1		6981008	Tätningring.....	Seal ring.....			
13	1	1		6981005	Vevhus- främre.....	Crankcase- front.....			
14		2		6981097	Kullager.....	Ball bearing.....			
14	2			6981110	Kullager.....	Ball bearing.....			
15	1	1		6981016	Vevaxel.....	Crankshaft.....			
16	1	1		6981017	Nållager.....	Needle bearing.....			
17	1	1		6981096	Kil.....	Key.....			
18	1	1		6981007	Packning.....	Gasket.....			
19	3	3		6981126	Centrerstift.....	Centring pin.....			
20	1	1		6981006	Vevhus- bakre.....	Crankcase- rear.....			
21	1	1		6981008	Tätningring.....	Seal ring.....			
22	1	1		6981031/1	Startkopp.....	Starter cup.....			
25	1	1		6981012	• Kolv kpl.....	• Piston assy.....		Inkl. pos 26 - 28	
26	2	2		6981015	•• Låsring.....	•• Lock ring.....			
27	1	1		6981014	•• Kolvbult.....	•• Piston pin.....			
28	2	2		6981013	•• Kolvring.....	•• Piston ring.....			
29	1	1		6981003	Cylinder- kolv kpl.....	Cylinder- piston assy.....		Inkl. pos 25	
30	1	1		6981004	Packning.....	Gasket.....			
31	4	4		6981113	Skrivsats.....	Screw set.....			
32	1	1		6981106	Tändstift.....	Spark plug.....			
33	1	1		6981023	Tändstiftshatt.....	Spark plug cap.....			
34	3	3		6981285	Skruv.....	Screw.....			
35	1	1		6981044	Skydd.....	Guard.....			
36	1	1		6981122	Motorkåpa- gul.....	Engine cover- yellow.....			
37	2	2		6981022	Kabel.....	Cable.....			
38	1	1		6981021	Kabelhållare.....	Cable retainer.....			
39	2	2		6981098	Skruv.....	Screw.....			
40	2	2		6981115	Skrivsats.....	Screw set.....			
41	1	1		6981040	Ljuddämpare.....	Muffler.....			
43	1	1		6981041	Packning.....	Gasket.....			
44	1	1		6981116	Skruv.....	Screw.....			
45	1	1		6981043	Skydd.....	Guard.....			
46	1	1		6981128	Bricka.....	Washer.....			
47	2	2		6981276	Bricka.....	Washer.....			
51	1	1		6981091	Tanklock.....	Tank cap.....			
52	1	1		6981036	Bränsletank.....	Fuel tank.....			
53	2	2		6981038	Bränsleslang.....	Fuel hose.....			
54	1	1		6981039	Gummihylsa.....	Rubber grommet.....			
55	1	1		4253291	Bränslefilter.....	Fuel intake filter.....			
56	4	4		6981101	Skrivsats.....	Screw set.....			



Utgåva Issue		Bildnr Picture No		ST 225J- SB 25J- SB 25D ST 291 SB 27J- SB 29J MOTOR		ST 225J- SB 25J- SB 25D ST 291 SB 27J- SB 29J ENGINE		Sida Page	
2007- 12		1969A						278	
Pos. Fig.	Antal/Quantity			Art nr Part No	Benämning	Description	Sats Kit	Anmärkning Notes	
	1025 6109	1031 6116 6117							
1	1	1		6981011	Packning.....	Gasket.....			
2	1	1		6981010	Insugningsrör.....	Intake manifold.....			
3	2	2		6981266	Skruvsats.....	Screw set.....			
4	1	1		6981018	Packning.....	Gasket.....			
5		1		23054010/0	Förgasare.....	Carburettor.....			
5	1			23054013/1	Förgasare.....	Carburettor.....			
7		1		6981019	Lufffilterhållare.....	Air filter holder.....			
8		2		6981105	Skruv.....	Screw.....			
9		2		6981269	Skruv.....	Screw.....			
10		1		6981045	Fjäder.....	Spring.....			
11		1		6981046	Stift.....	Pin.....			
12		1		6981047	Hållare.....	Retainer.....			
13		1		6981107	Tryckknapp.....	Button.....			
14		1		6981020	Lufffilter.....	Air filter.....			
15		1		6981120	Filterlock- gul.....	Filter cover- yellow.....			
21	1	1		6981099	• Skruv.....	• Screw.....			
23	1	1		6981026	• Linhjul.....	• Starter pulley.....			
24	1	1		6981025	• Fjäder.....	• Spring.....			
25	1	1		6981024/1	Start kpl.....	Starter assy.....		Inkl. pos 21 - 28	
26	1	1		6981028	• Linguide.....	• Rope guide.....			
27	1	1		6981029	• Startsnöre.....	• Starter cord.....			
28	1	1		6981027	• Starthandtag.....	• Starter handle.....			
29	4	4		6981116	Skruv.....	Screw.....			
36	1			6981137	Chokearm.....	Choke lever.....			
37	1			6981136	Chokespjäll.....	Choke valve.....			
38	1			6981268	Skruv.....	Screw.....			
39	1			6981131	Lufffilterhus.....	Air filter holder.....			
40	2			6981104	Skruvsats.....	Screw set.....			
41	1			6981020	Lufffilter.....	Air filter.....			
42	1			6981134	Filterlock.....	Filter cover.....			
43	1			6981132	Skruv.....	Screw.....			



Utgåva Issue 2007-12		Bildnr Picture No 2148A		SB 25J RÖJARE RIGG		SB 25J BRUSH CUTTER DRIVE SHAFT		Sida Page 262	
Pos. Fig.	Antal/Quantity				Art nr Part No	Benämning	Description	Sats Kit	Anmärkning Notes
	6109 -11								
1	1				6981208	Kopplingshjul.....	Clutch drum .....		
2	1				6981271	Ring.....	Ring .....		
3	1				6981256	Kullager.....	Ball bearing.....		
4	1				6981272	Ring.....	Ring .....		
5	1				6981207	Transmissionsstöd .....	Transmission support .....		
6	4				6981100	Skruvsats.....	Screw set .....		
7	1				6981263	Skruvsats.....	Screw set .....		
8	1				6981142	Mutter.....	Nut .....		
9	1				6981230	Brytare.....	Switch.....		
10	1				6981231	Handtag- vä .....	Handgrip- LH.....		
11	2				6981269	Skruv .....	Screw .....		
12	1				6981232	Fjäder.....	Spring .....		
13	1				6981228	Gasreglage.....	Throttle lever .....		
14	1				6981229	Säkerhetsspärr .....	Safety lever .....		
15	1				6981226	Fjäder.....	Spring .....		
16	1				6981225	Handtag- hö .....	Handgrip- RH .....		
17	1				6981227	Knopp .....	Button .....		
18	4				6981149	Skruv .....	Screw .....		
19	1				6981233	Kablage.....	Cables+sheath.....		
21	1				6981234	Handtag- främre.....	Handle- front .....		
22	1				6981235	Spärrör .....	Barrier tube .....		
23	4				6981282	Skruv .....	Screw .....		
24	4				6981274	Bricka .....	Washer.....		
25	4				6981141	Mutter.....	Nut .....		
26	1				6981209	Fäste- sele.....	Support- harness .....		
27	1				6981145	Skruv .....	Screw .....		
28	1				6981141	Mutter.....	Nut .....		
29	1				6981291	Transmissionsrör.....	Transmission tube.....		
30	1				6981312	Drivaxel .....	Transmission shaft.....		
31	1				6981309	Rörkoppling.....	Joint .....		
32	1				6981290	• Lås ratt .....	• Knob .....		Inkl. pos 32
33	1				6981292	Transmissionsrör.....	Transmission tube.....		
34	1				6981312	Drivaxel .....	Transmission shaft.....		
35	1				6981268	Skruv .....	Screw .....		
36	2				6981260	Skruv .....	Screw .....		
37	1				6981212	Fäste.....	Bracket .....		
38	2				6981213	Mutter.....	Nut .....		
61	1				6981210	Sele .....	Brace .....		
98	1				9959905	Skyddsglasögon .....	Protective goggles .....		Tillbehör/accessory





Utgåva Issue 2007-12		Bildnr Picture No 2153A		SB 25J- SB 25D RÖJARE SNÄCKVÄXEL		SB 25J- SB 25D BRUSH CUTTER GEAR CASE		Sida Page 266	
Pos. Fig.	Antal/Quantity				Art nr Part No	Benämning	Description	Sats Kit	Anmärkning Notes
	6109 -11 -31								
1	1				6981219	Snäckväxel.....	Gear case .....		
2	1				6981274	Bricka .....	Washer .....		
3	1				6981258	Skruv .....	Screw .....		
4	1				6981214	Skydd .....	Guard .....		
5	3				6981264	Skruv .....	Screw .....		
6	1				6981216	Axeltapp.....	Shaft .....		
7	1				6981215	Ringmutter- övre .....	Ring nut- upper .....		
11	1				6981211	Röjklina .....	Disc .....		3T
12	1				6981217	Ringmutter- nedre .....	Ring nut- lower .....		
13	1				6981218	Stabiliseringsskål.....	Stabilizer bowl.....		
14	1				6981257	Mutter.....	Nut .....		
15	1				6981220	Skyddskåpa .....	Safety cover .....		
21	1				6981223	Skärhuvud kpl.....	Cutter head assy .....		
22	1				6981286	Skyddskåpa .....	Safety cover .....		
23	2				6981113	Skruvsats.....	Screw set .....		
24	2				6981152	Bricka .....	Washer .....		
25	2				6981155	Bricka .....	Washer .....		
26	1				6981221	Kniv .....	Line cutter .....		
27	2				6981278	Mutter.....	Nut .....		
28	1				6981222	Skydd .....	Guard .....		
99	1				1911-9008-04	Skärtråd (2.4 mm).....	Cutting line (2.4 mm).....		0.45 kg (90 m)
99	1				1911-9008-08	Skärtråd (2.4 mm).....	Cutting line (2.4 mm).....		15 m