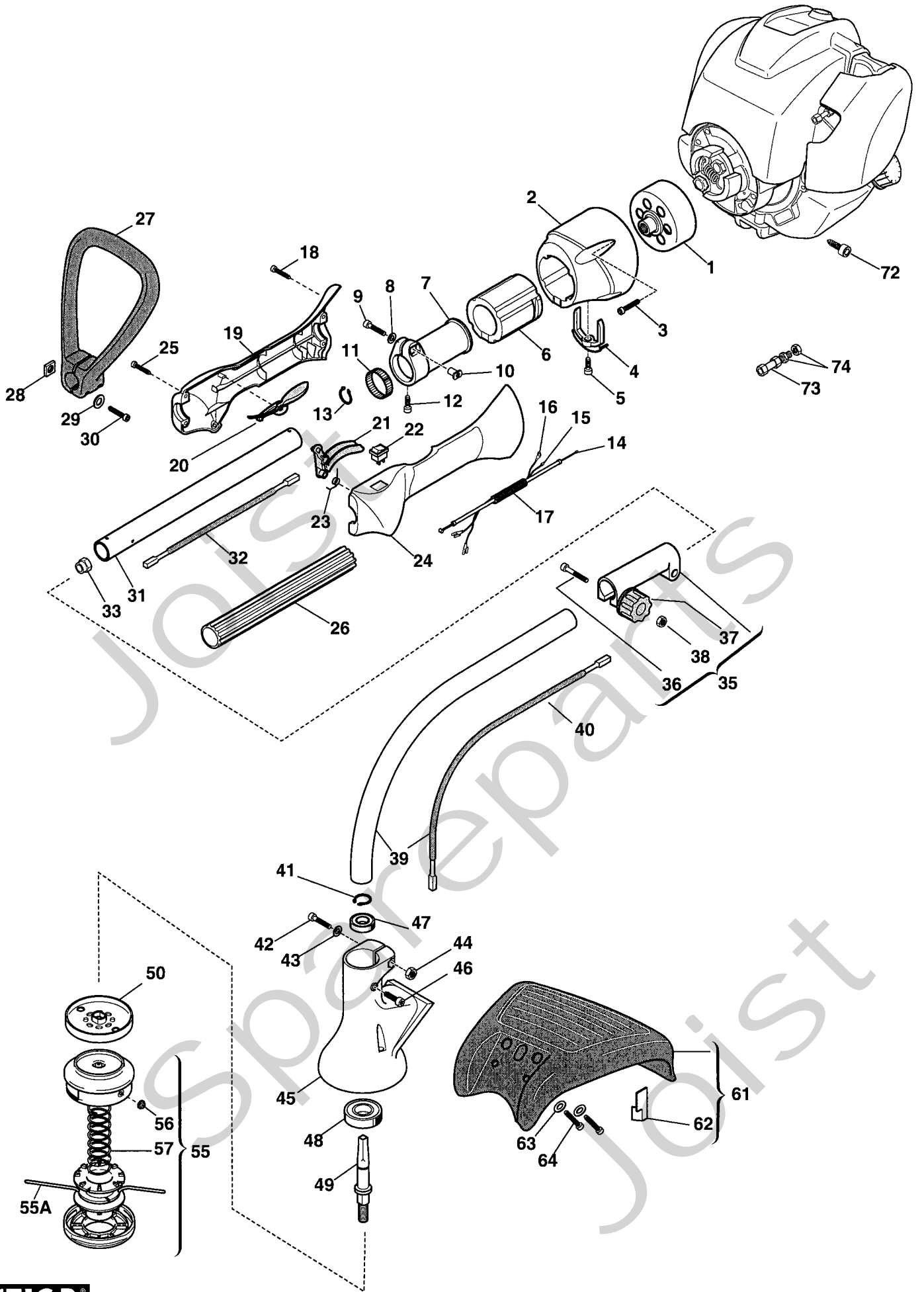


# Genuine Spare Parts

---



Joist  
Spareparts  
Joist



Utgåva Issue		Bildnr Picture No		ST 425J TRIMMER	ST 425J TRIMMER	Sida Page		
2006-12		2152				280		
Pos. Fig.	Antal/Quantity			Art nr Part No	Benämning	Description	Sats Kit	Anmärkning Notes
	1042 -11							
X	1	1		1911-4206-01	Kopplingstrumma.....	Clutch drum.....		
	2	1		1911-4189-01	Transmissionsstöd.....	Transmission support.....		
X	3	4		1911-4438-01	Skruv.....	Screw.....		
	4	1		1911-4154-01	Gaffel.....	Fork.....		
	5	1		1911-3002-01	Skruv.....	Screw.....		
	6	1		1911-4155-01	Hylsa.....	Grommet.....		
	7	1		1911-4188-01	Stöd.....	Support.....		
X	8	1		1911-4463-01	Bricka.....	Washer.....		
X	9	1		1911-4435-01	Skruv.....	Screw.....		
X	10	1		1911-4513-01	Bussning.....	Bushing.....		
X	11	1		1911-4507-01	Reduktion.....	Reduction.....		
X	12	1		1911-4505-01	Skruv.....	Screw.....		
X	13	1		1911-4509-01	Låsring.....	Snap ring.....		
	14	1		1911-4134-01	Gaswire.....	Throttle wire.....		
	15	1		1911-4127-01	Kabel.....	Cable.....		
	16	1		1911-4130-01	Jordkabel.....	Ground cable.....		
X	17	1		1911-4164-01	Kabelhölje.....	Wire sheath.....		
	18	1		1911-4434-01	Skruv.....	Screw.....		
	19	1		1911-4184-01	Handtag- hö.....	Handgrip- RH.....		
	20	1		1911-4170-01	Säkerhetspär.....	Safety lever.....		
	21	1		1911-4169-01	Gasreglage.....	Throttle lever.....		
X	22	1		1911-4508-01	Brytare.....	Switch.....		
	23	1		1911-4173-01	Fjäder.....	Spring.....		
X	24	1		1911-4185-01	Handtag- vä.....	Handgrip- LH.....		
	25	4		1911-4433-01	Skruv.....	Screw.....		
	26	1		1911-4152-01	Värmeisolering.....	Heat insulator.....		
	27	1		1911-4165-01	Handtag- främre.....	Handle- front.....		
X	28	2		1911-4504-01	Mutter.....	Nut.....		
X	29	2		1911-4464-01	Bricka.....	Washer.....		
X	30	2		1911-4436-01	Skruv.....	Screw.....		
X	31	1		1911-4522-01	Transmissionsrör.....	Transmission tube.....		
X	32	1		1911-4440-01	Drivaxel.....	Transmission shaft.....		
X	33	1		1911-4483-01	Axelhylsa.....	Shaft sleeve.....		
X	35	1		1911-4519-01	Rörkoppling kpl.....	Joint.....		Inkl. pos 36 - 38
	36	1		9997-0640-12	• Skruv.....	• Screw.....		
X	37	1		1911-4480-01	• Låsrott.....	• Knob.....		
	38	1		1911-4231-01	• Mutter.....	• Nut.....		
X	39	1		1911-4524-01	Transmissionsrör.....	Transmission tube.....		Inkl. pos 40
X	40	1		1911-4442-01	• Drivaxel.....	• Transmission shaft.....		
X	41	1		1911-4509-01	Låsring.....	Snap ring.....		
X	42	1		1911-4437-01	Skruv.....	Screw.....		
X	43	1		1911-4462-01	Bricka.....	Washer.....		
X	44	1		1911-4502-01	Mutter.....	Nut.....		
	45	1		1911-4125-01	Transmissionshus.....	Gear case.....		
X	46	1		1911-4434-01	Skruv.....	Screw.....		
	47	1		1911-4113-01	Kullager.....	Ball bearing.....		
X	48	1		1911-4506-01	Kullager.....	Ball bearing.....		
	49	1		1911-4115-01	Axel.....	Head shaft.....		
X	50	1		1911-4510-01	Ringmutter- övre.....	Ring nut- upper.....		
	55	1		1911-4149-01	Skärhuvud kpl.....	Nylon head assy.....		
	55A	1		1911-9008-04	Skärtråd (2.4 mm).....	Cutting line (2.4 mm).....		0.45 kg (90 m)
	55A	1		1911-9008-08	Skärtråd (2.4 mm).....	Cutting line (2.4 mm).....		15 m
X	56	2		1911-4512-01	• Bussning.....	• Bushing.....		
	57	1		1911-4174-01	• Fjäder.....	• Spring.....		
	61	1		1911-4216-01	Skyddskåpa kpl.....	Safety cover assy.....		Inkl. pos 62
X	62	1		1911-4511-01	• Kniv.....	• Line cutter.....		
X	63	2		1911-4465-01	Bricka.....	Washer.....		
X	64	2		1911-4433-01	Skruv.....	Screw.....		
	72	1		1911-3261-01	Skruv.....	Screw.....		
	73	1		1911-3998-01	Wirejustering.....	Throttle cable adjust.....		
X	74	2		1911-4503-01	Mutter.....	Nut.....		
	99	1		1911-3212-01	Skyddsglasögon.....	Protective goggles.....		Tillbehör/accessory