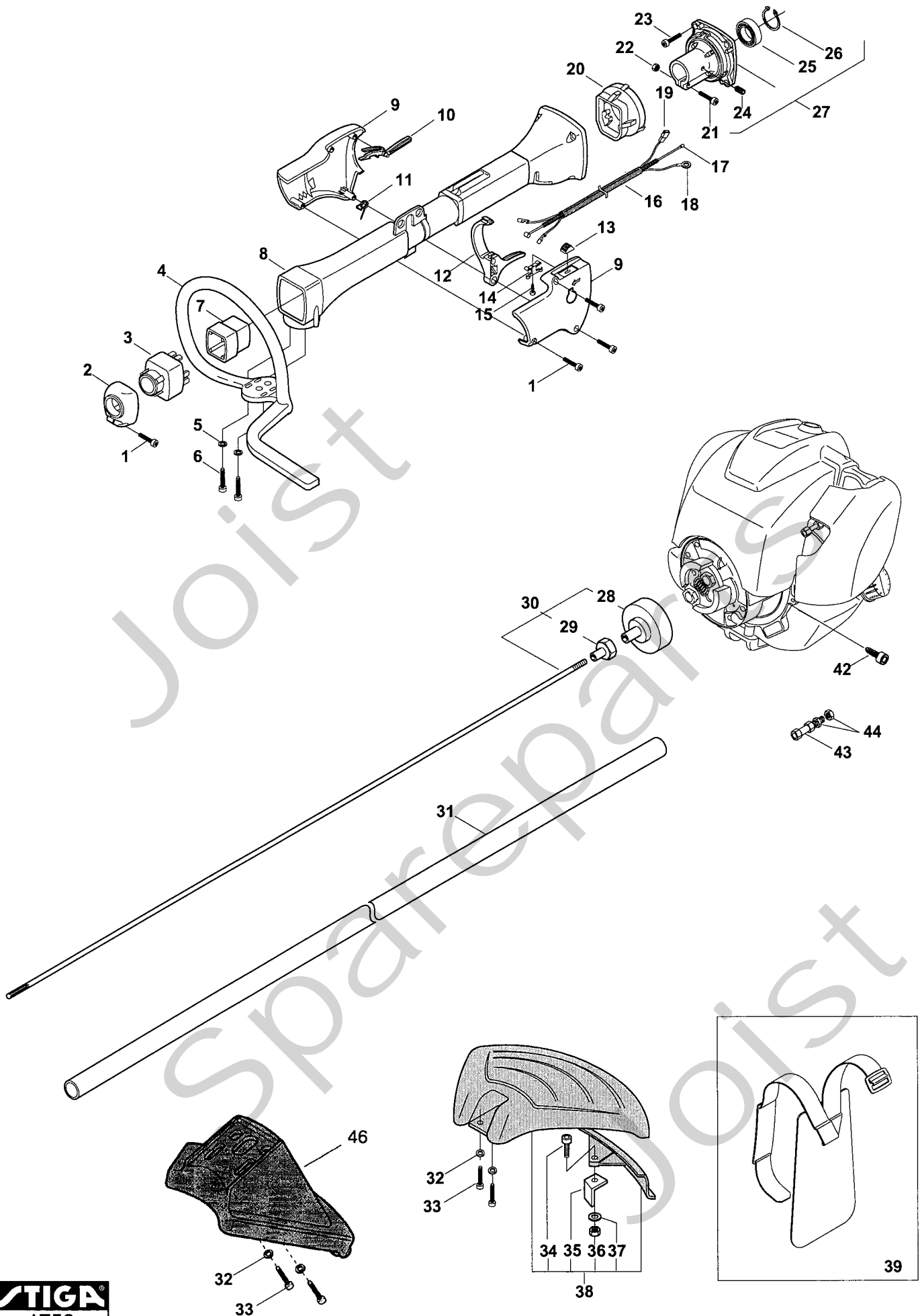


Genuine Spare Parts

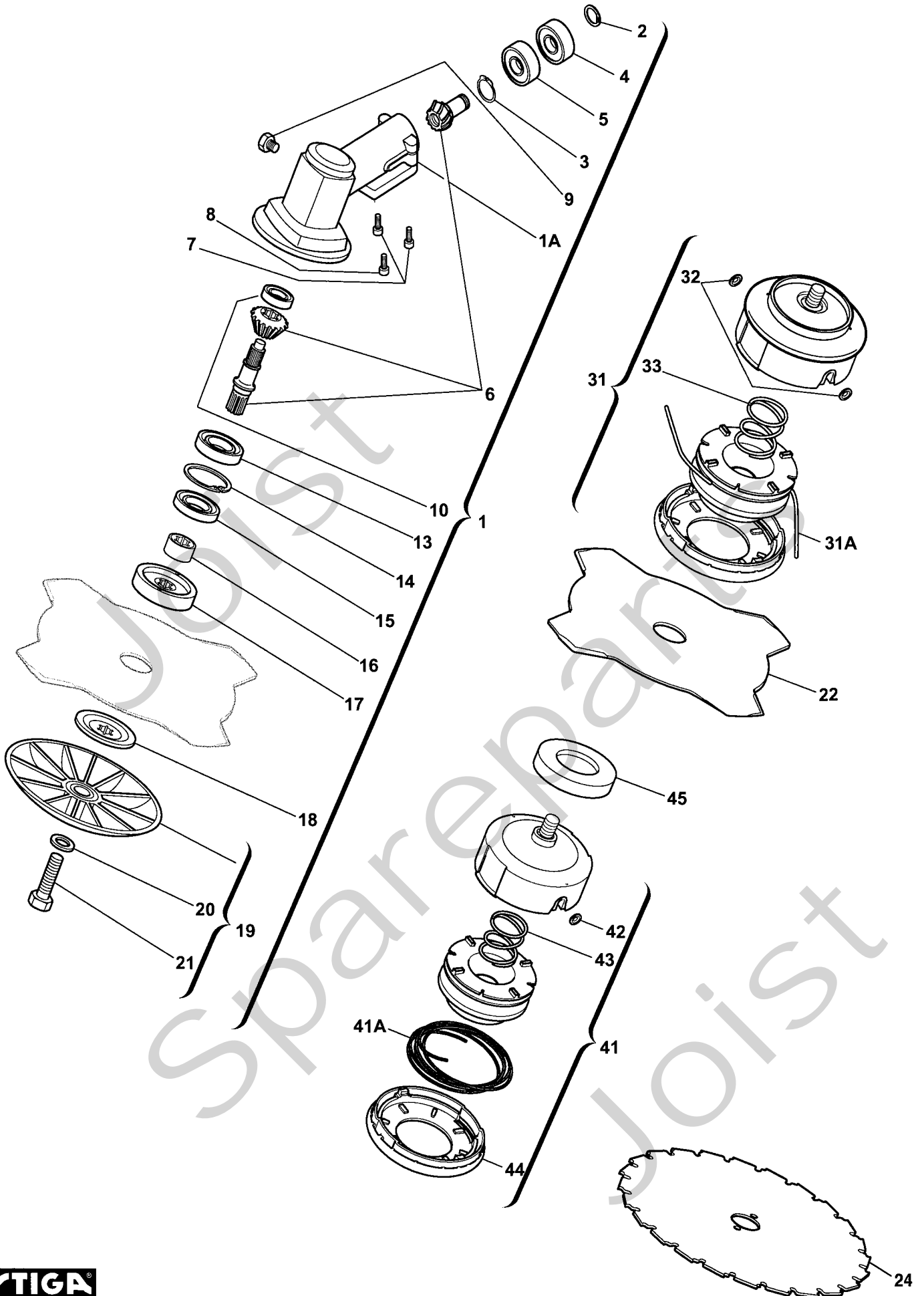


Joist
Spareparts
Joist



Utgåva Issue 2006-12	Bildnr Picture No 1752	SB 435 RÖJARE RIGG	SB 435 BRUSH CUTTER DRIVE SHAFT	Sida Page 314
----------------------------	------------------------------	--------------------------	---------------------------------------	---------------------

Pos. Fig.	Antal/Quantity				Art nr Part No	Benämning	Description	Sats Kit	Anmärkning Notes
	4401 -11								
1	4				1911-3001-01	Skruv	Screw		
2	1				1911-4006-01	Stöd- fram	Housing support- front		
3	1				1911-4004-01	Vibrationsdämpare- fra	Shock absorber- front		
4	1				1911-4009-01	Handtag- fram	Handle- front		
5	2				1911-3216-01	Bricka	Washer		
6	2				1911-3251-01	Skruv	Screw		
7	1				1911-4007-01	Distans	Step- down spacer		
8	1				1911-4008-01	Transmissionshus	Transmission housing		
9	1				1911-4010-01	Handtagshus	Handgrip housing		
10	1				1911-4003-01	Säkerhetsspärr	Safety lever		
11	1				1911-4001-01	Fjäder	Spring		
12	1				1911-4002-01	Gasreglage	Throttle lever		
13	1				1911-3699-01	Stoppknapp	Stop knob		
14	1				1911-3681-01	Stopplatta	Stop plate		
15	1				1911-3656-01	Skruv	Screw		
16	1				1911-3999-01	Kabelhölje	Wire sheath		
17	1				1911-3995-01	Gaswire	Throttle wire		
18	1				1911-3992-01	Jordkabel- svart	Earth cable- black		
19	1				1911-3991-01	Kabel- röd	Cable- red		
20	1				1911-4005-01	Vibrationsdämpare- bak	Shock absorber- rear		
21	1				1911-3011-01	Skruv	Screw		
22	1				1911-3021-01	Mutter	Nut		
23	4				1911-3012-01	Skruv	Screw		
24	1				1911-3658-01	• Skruv	• Screw		
25	1				1911-3035-01	• Kullager	• Ball bearing		
26	1				1911-3066-01	• Låsring	• Lock ring		
27	1				1911-3188-01	Transmissionnav kpl	Transmission hub assy		Inkl. pos 24 - 26
28	1				1911-3134-01	• Kopplingstrumma	• Clutch		
29	1				1911-3083-01	• Lagernav	• Bearing hub		
30	1				1911-3140-01	Drivaxel kpl	Transm. shaft assy		Inkl. pos 28 - 29
31	1				1911-3139-01	Drivaxelrör	Transmission pipe		
32	2				1911-3216-01	Bricka	Washer		
33	2				1911-3009-01	Skruv	Screw		
34	1				1911-3006-01	• Skruv	• Screw		
35	1				1911-3077-01	• Kniv	• Line cutter		
36	1				1911-3022-01	• Mutter	• Nut		
37	1				1911-3216-01	• Bricka	• Washer		
38	1				1911-3201-01	Säkerhetsskydd kpl	Safety cover assy		Inkl. pos 34 - 37
39	1				1911-3724-01	Sele	Harness		
42	1				1911-3261-01	Skruv	Screw		
43	1				1911-3998-01	Wirejustering	Throttle cable adjust		
44	2				1911-4000-01	Mutter	Nut		
46	1				1911-3166-01	Stenskydd (sågklinga)	Stone shield (saw)		
99	1				1911-3212-01	Skyddsglasögon	Protective goggles		Tillbehör/accessory



Utgåva Issue 2006-12	Bildnr Picture No 1285D	SB 435- SB 436 RÖJARE SNÄCKVÄXEL	SB 435- SB 436 BRUSH CUTTER GEAR CASE	Sida Page 318
----------------------------	-------------------------------	--	---	---------------------

Pos. Fig.	Antal/Quantity				Art nr Part No	Benämning	Description	Sats Kit	Anmärkning Notes
	4401	4402	-11						
1	1				1911-3137-01	Snäckväxel kpl.....	Gear case assy.....		Inkl. pos 2 - 21
1A	1				1911-3161-01	Snäckväxelhus.....	Gear case.....		
2	1				1911-3067-01	• Låsring.....	• Lock ring.....		
3	1				1911-3065-01	• Låsring.....	• Lock ring.....		
4	1				1911-3037-01	• Kullager.....	• Ball bearing.....		
5	1				1911-3036-01	• Kullager.....	• Ball bearing.....		
6	1				1911-3182-01	• Snäckdrev.....	• Worm gear.....		
7	2				1911-3008-01	• Skruv.....	• Screw.....		
8	1				1911-3025-01	• Skruv.....	• Screw.....		
9	1				1911-3029-01	• Skruv.....	• Screw.....		
10	1				1911-3038-01	• Kullager.....	• Ball bearing.....		
13	1				1911-3034-01	• Kullager.....	• Ball bearing.....		
14	1				1911-3066-01	• Låsring.....	• Lock ring.....		
15	1				1911-3045-01	• Tätningsring.....	• Oil seal.....		
16	1				1911-3082-01	• Hylsa.....	• Collar.....		
17	1				1911-3081-01	• Ringmutter- övre.....	• Ring nut- upper.....		
18	1				1911-3070-01	• Ringmutter- nedre.....	• Ring nut- lower.....		
19	1				1911-3163-01	• Skål kpl (fast).....	• Bowl assy (fixed).....	Inkl. pos 20 - 21	
20	1				1911-3018-01	• Bricka.....	• Washer.....		
21	1				1911-3026-01	• Skruv (vå- gängad).....	• Screw (LH- thread).....		
22	1				1911-3179-01	Röjklinga.....	Clearing blade.....	4T - Ø 255 mm	
24	1				1911-3921-01	Sågklinga.....	Saw blade.....	24T - Ø 255 mm	
31	1				1911-3877-01	Skärhuvud kpl.....	Cutterhead assy.....	Inkl. pos 32 - 33	
31A	1				1911-9008-04	Skärtråd (2.4 mm).....	Cutting line (2.4 mm).....	0.45 kg (90 m)	
31A	1				1911-9008-08	Skärtråd (2.4 mm).....	Cutting line (2.4 mm).....	15 m	
32	2				1911-3875-01	• Trådhylsa.....	• Line inlet.....		
33	1				1911-3876-01	• Fjäder.....	• Spring.....		
41	1				1911-3154-01	Skärhuvud kpl (Profi).....	Nylon head (Profi).....	Inkl. pos 42 - 44	
41A	1				1911-9008-04	Skärtråd (2.4 mm).....	Cutting line (2.4 mm).....		0.45 kg (90 m)
41A	1				1911-9008-08	Skärtråd (2.4 mm).....	Cutting line (2.4 mm).....	15 m	
42	2				1911-3085-01	• Bussning.....	• Bushing.....		
43	1				1911-3213-01	• Fjäder.....	• Spring.....		
44	1				1911-3215-01	• Lock.....	• Cover.....		
45	1				1911-3076-01	Kopp.....	Cup.....		
98	1				1911-3850-01	Klingskydd.....	Blade guard.....	Ej ill/not ill.	
99	1				1911-3853-01	Fettub.....	Grease tube.....	Ej ill/not ill.	