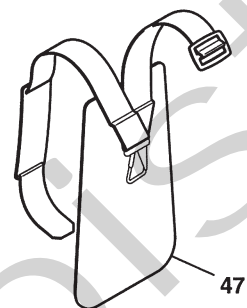
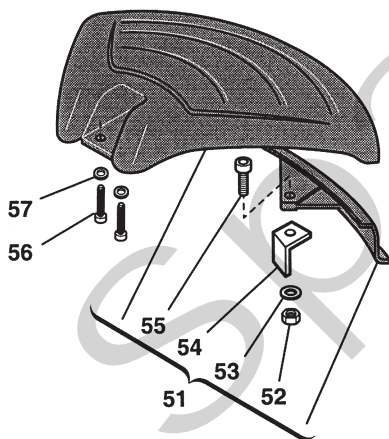
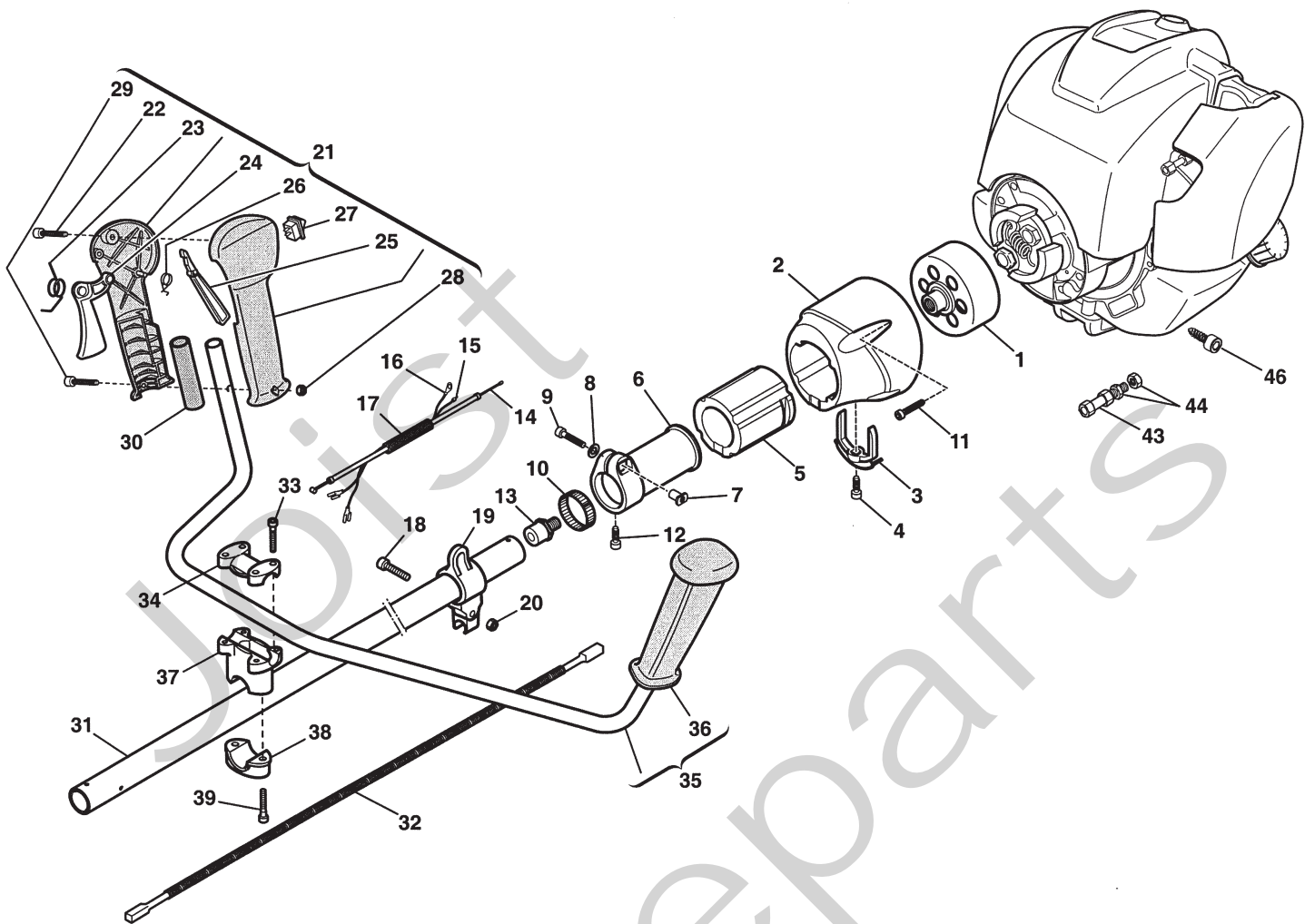


Genuine Spare Parts

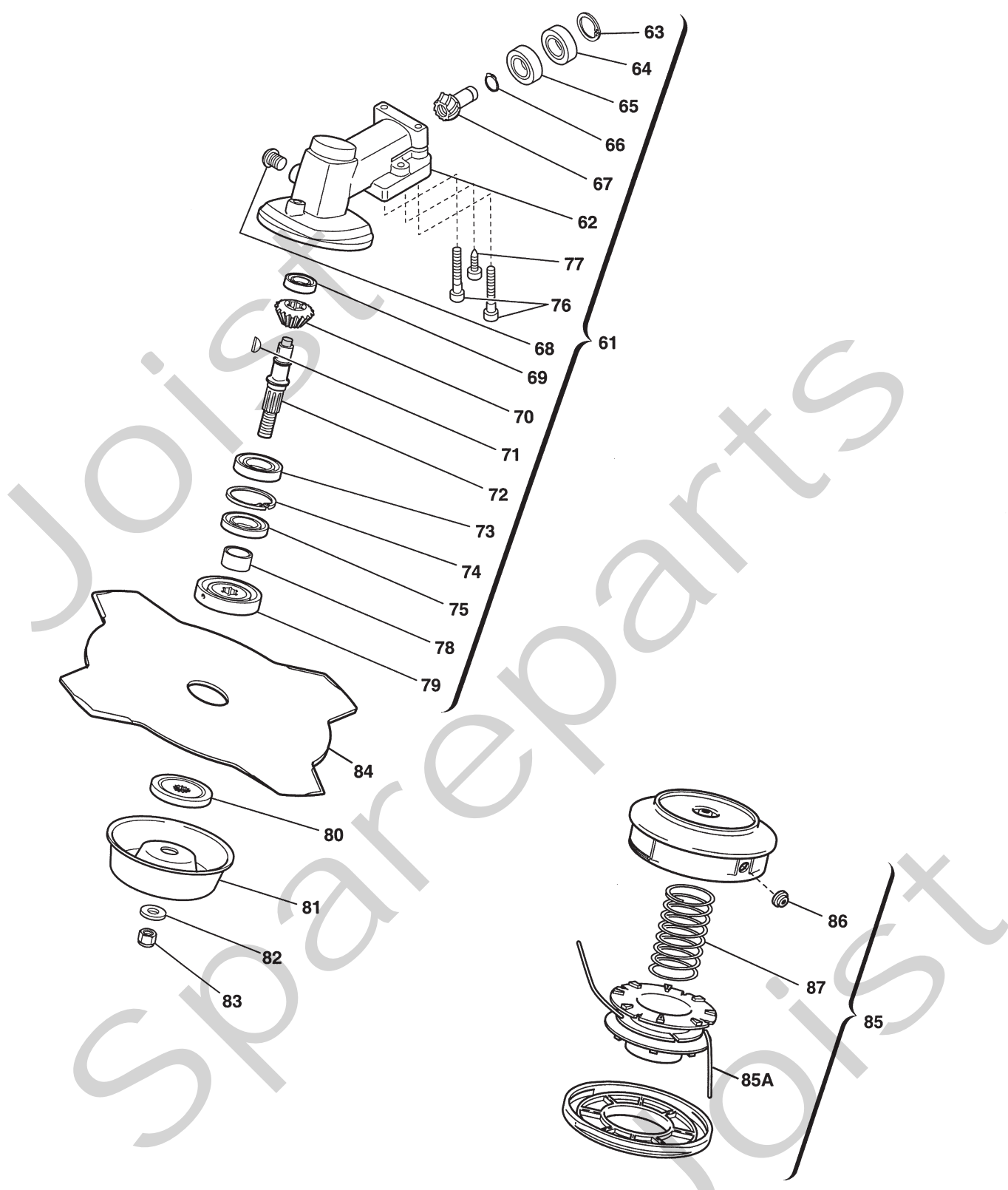


Spareparts
Joist



STIGA
1972
SPARE PARTS

Utgåva Issue		Bildnr Picture No		SB 426 MB 425D RÖJARE RIGG		SB 426 MB 425D BRUSH CUTTER DRIVE SHAFT		Sida Page	
2005- 12		1972						298	
Pos. Fig.	Antal/Quantity			Art nr Part No	Benämning	Description	Sats Kit	Anmärkning Notes	
	4404	MB 425D							
X	1	1	1	1911-4206-01	Kopplingstrumma.....	Clutch drum			
X	2	1	1	1911-4189-01	Transmissionsstöd	Transmission support			
X	3	1	1	1911-4154-01	Gaffel.....	Fork.....			
	4	1	1	1911-3002-01	Skruv.....	Screw.....			
X	5	1	1	1911-4155-01	Hylsa	Grommet.....			
X	6	1	1	1911-4188-01	Stöd.....	Support.....			
X	7	1	1	1911-4245-01	Bussning	Bushing.....			
	8	1	1	1911-3267-01	Bricka	Washer.....			
	9	1	1	1911-3007-01	Skruv.....	Screw.....			
X	10	1	1	1911-4236-01	Reducering	Reduction.....			
	11	4	4	1911-3011-01	Skruv.....	Screw.....			
	12	1	1	1911-3002-01	Skruv.....	Screw.....			
X	13	1	1	1911-4176-01	Lagernav.....	Bearing hub.....			
X	14	1	1	1911-4135-01	Gaswire	Throttle wire.....			
X	15	1	1	1911-4128-01	Kabel	Coil- switch cable			
X	16	1	1	1911-4129-01	Jordkabel.....	Ground cable.....			
	17	1	1	1911-3704-01	Wirehölje	Wire sheath.....			
	18	1	1	1911-3007-01	Skruv.....	Screw.....			
X	19	1	1	1911-4187-01	Fäste-sele.....	Harness support			
	20	1	1	1911-3278-01	Mutter.....	Nut.....			
	21	1	1	1911-3203-01	Handtag kpl	Handle assy.....		Inkl. pos 22 - 29	
	22	1	1	1911-3001-01	• Skruv.....	• Screw.....			
	23	1	1	1911-3089-01	• Fjäder.....	• Spring			
	24	1	1	1911-3108-01	• Gasreglage.....	• Throttle lever			
	25	1	1	1911-3109-01	• Säkerhetsspärr	• Safety lever			
	26	1	1	1911-3090-01	• Fjäder.....	• Spring			
	27	1	1	1911-3053-01	• Stoppkontakt	• Stop switch			
	28	1	1	9747-0531-02	• Mutter.....	• Nut.....			
	29	1	1	1911-3008-01	• Skruv.....	• Screw.....			
X	30	1	1	1911-4181-01	Reduktion	Reduction.....			
X	31	1	1	1911-4253-01	Transmissionsrör.....	Transmission tube.....			
X	32	1	1	1911-4258-01	Transmissionsaxel	Transmission shaft.....			
	33	4	4	1911-3009-01	Skruv.....	Screw.....			
X	34	1	1	1911-4203-01	Styrfäste- övre	Handle support- upper			
X	35	1	1	1911-4214-01	Styre kpl	Handle assy.....		Inkl. pos 36	
X	36	1	1	1911-4172-01	• Handtag- vä.....	• Grip- LH.....			
X	37	1	1	1911-4202-01	Styrfäste- mitten	Handle support- middle.....			
X	38	1	1	1911-4257-01	Styrfäste- undre	Handle support- lower			
	39	2	2	1911-3008-01	Skruv.....	Screw.....			
	43	1	1	1911-3998-01	Wirejustering	Throttle cable adjust.....			
	44	2	2	1911-4000-01	Mutter.....	Nut.....			
	46	1	1	1911-3261-01	Skruv.....	Screw.....			
	47	1	1	1911-3724-01	Sele	Harness.....			
	51	1	1	1911-3201-01	Säkerhetsskydd kpl.....	Safety cover assy		Inkl. pos 52 - 55	
	52	1	1	1911-3022-01	• Mutter.....	• Nut.....			
	53	1	1	1911-3216-01	• Bricka	• Washer.....			
	54	1	1	1911-3077-01	• Kniv	• Line cutter			
	55	1	1	1911-3006-01	• Skruv.....	• Screw.....			
	56	2	2	1911-3009-01	Skruv.....	Screw.....			
	57	2	2	1911-3216-01	Bricka	Washer.....			



Utgåva Issue		Bildnr Picture No		SB 425- SB 426 MB 425- MB 425D RÖJARE SNÄCKVÄXEL		SB 425- SB 426 MB 425- MB 425D BRUSH CUTTER GEAR CASE		Sida Page	
2005- 12		1973						300	
Pos. Fig.	Antal/Quantity			Art nr Part No	Benämning	Description	Sats Kit	Anmärkning Notes	
	4403 4404	MB 425 MB 425D							
X	61	1	1	1911-4222-01	Snäckväxel kpl	Gear case assy		Inkl. pos 62 - 79	
X	62	1	1	1911-4124-01	• Snäckväxelhus	• Gear case			
	63	1	1	1911-3678-01	• Låsring	• Lock ring			
	64	1	1	1911-3662-01	• Kullager	• Ball bearing			
	65	1	1	1911-3038-01	• Kullager	• Ball bearing			
	66	1	1	1911-3677-01	• Låsring	• Lock ring			
X	67	1	1	1911-4234-01	• Snäckdrev	• Pinion			
	68	1	1	1911-3029-01	• Skruv	• Screw			
	69	1	1	1911-3663-01	• Kullager	• Ball bearing			
X	70	1	1	1911-4235-01	• Drev	• Ring gear			
	71	1	1	1911-3049-01	• Kil	• Key			
X	72	1	1	1911-4246-01	• Axel	• Shaft			
	73	1	1	1911-3039-01	• Kullager	• Ball bearing			
	74	1	1	1911-3679-01	• Låsring	• Lock ring			
	75	1	1	1911-3664-01	• Tätningsring	• Seal ring			
	76	2	2	1911-3008-01	• Skruv	• Screw			
	77	1	1	1911-3025-01	• Skruv	• Screw			
	78	1	1	1911-3690-01	• Hylsa	• Collar			
	79	1	1	1911-3683-01	• Ringmutter- övre	• Ring nut- upper			
	80	1	1	1911-3680-01	Ringmutter- nedre	Ring nut- lower			
X	81	1	1	1911-4242-01	Stabilisator	Stabilizer			
X	82	1	1	1911-4228-01	Bricka	Washer			
X	83	1	1	1911-4232-01	Mutter	Nut			
	84	1	1	1911-3179-01	Röjklinga	Clearing blade		4T - Ø 255 mm	
	84 A	1	1	1911-3850-01	Klingskydd	Blade guard		Ej ill/not ill.	
X	85	1	1	1911-4148-01	Skärhuvud kpl	Nylon head assy		Inkl. pos 86 - 87	
	85 A	1	1	1911-9008-04	Skärtråd (2.4 mm)	Cutting line (2.4 mm)		0.45 kg (90 m)	
	85 A	1	1	1911-9008-08	Skärtråd (2.4 mm)	Cutting line (2.4 mm)		15 m	
	86	2	2	1911-3875-01	• Trådhylsa	• Line inlet			
	87	1	1	1911-3876-01	• Fjäder	• Spring			
	98	1	1	1911-3853-01	Fettub	Grease tube		Ej ill/not ill.	
	99	1	1	1911-3212-01	Skyddsglasögon	Protective goggles		Ej ill/not ill.	