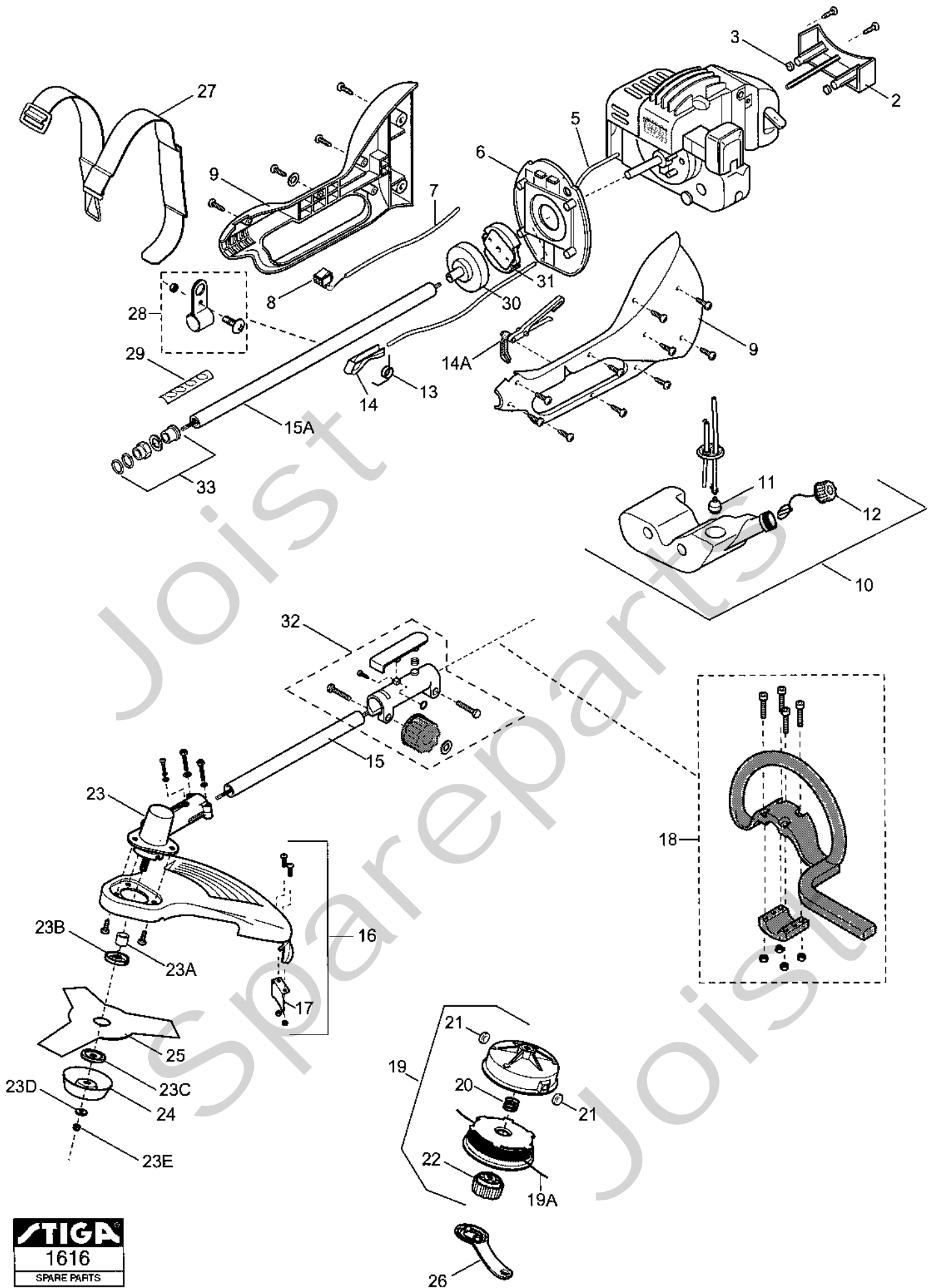


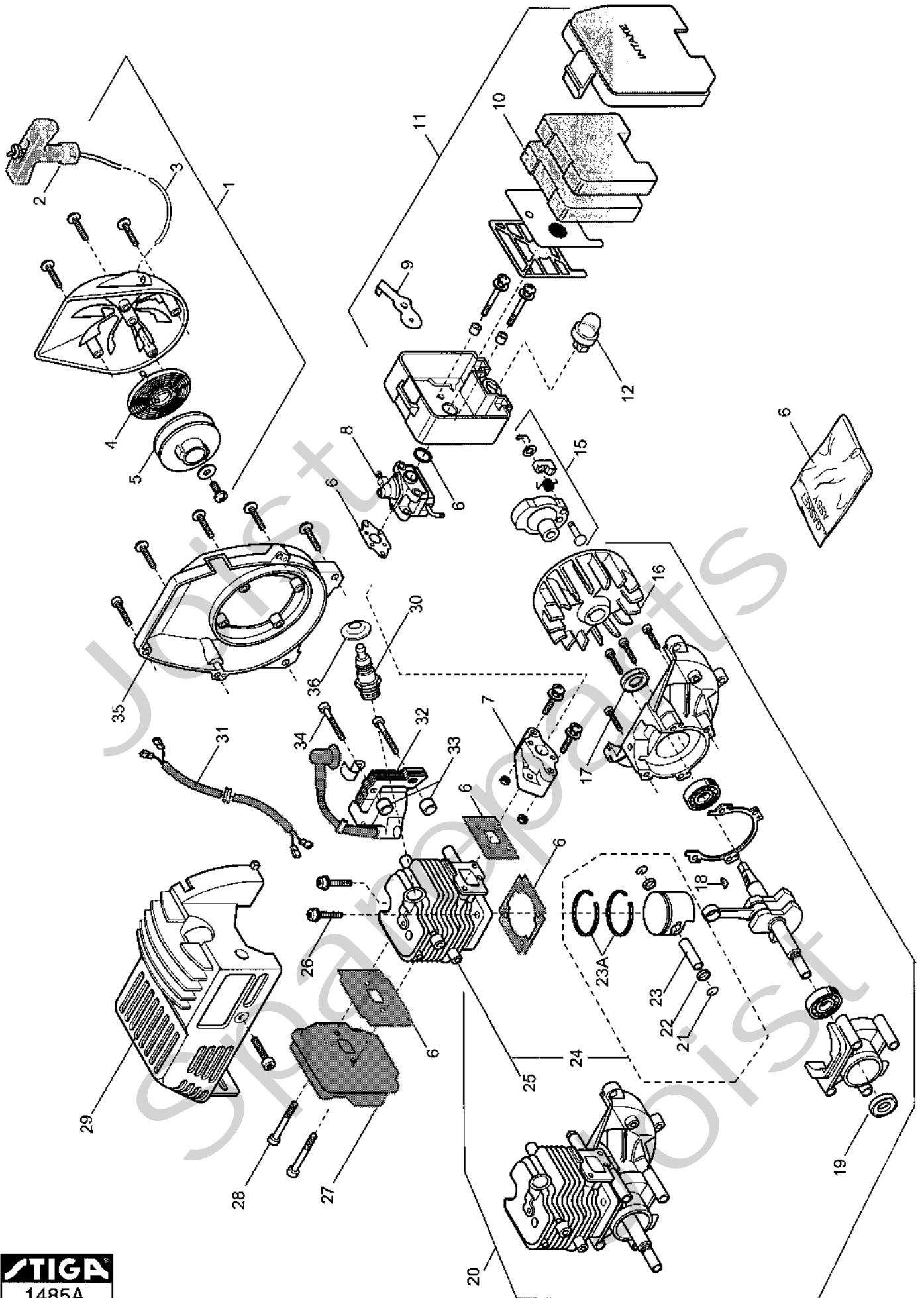
Genuine Spare Parts



Spareparts
Joist

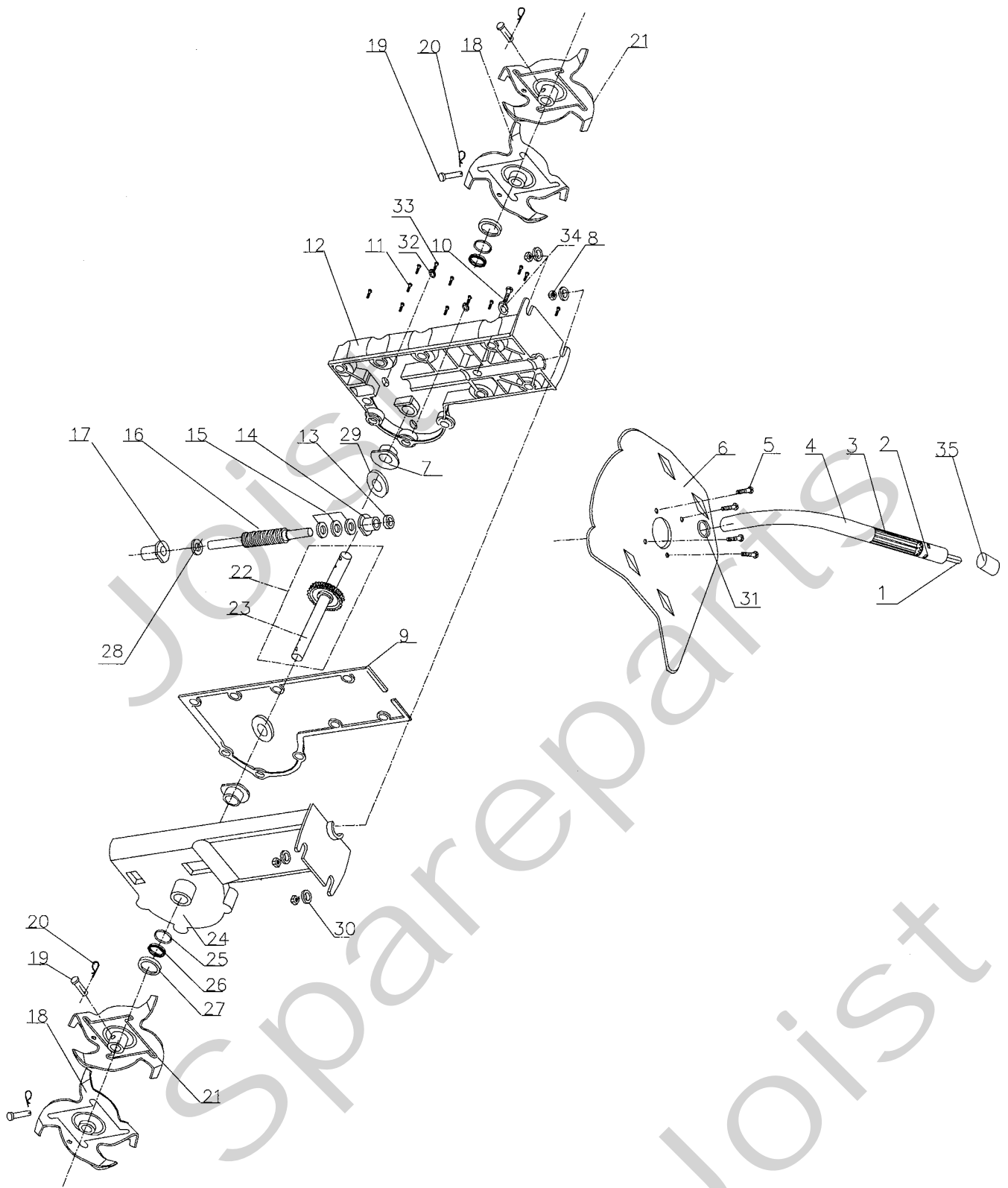


| Utgåva Issue | | Bildnr Picture No | | SB 22 RÖJARE RIGG SKÄRHUVUD | | SB 22 BRUSH CUTTER DRIVE SHAFT STRINGHEAD | | Sida Page | |
|-----------------|----------------|----------------------|--|--------------------------------------|----------------------------|--|-------------|---------------------|--|
| 2003-43 | | 1616 | | | | | | 274 | |
| Pos. Fig. | Antal/Quantity | | | Art nr Part No | Benämning | Description | Sats Kit | Anmärkning Notes | |
| | 6110 | | | | | | | | |
| | 2 | 1 | | 1911-3761-01 | Platta | Fixed plate | | | |
| | 3 | 4 | | 1911-3762-01 | Isolator | Insulator | | | |
| X | 5 | 1 | | 1911-3911-01 | Gaswire | Throttle cable | | | |
| | 6 | 1 | | 1911-3763-01 | Lock | Cover | | | |
| | 7 | 1 | | 1911-3764-01 | Jordkabel | Ground wire | | | |
| X | 8 | 1 | | 1911-3918-01 | Strömbrytare | Switch | | | |
| X | 9 | 1 | | 1911-3919-01 | Kåpa kpl- gul | Housing assy- yellow | | | |
| | 10 | 1 | | 1911-3766-01 | Bränsletank kpl | Fuel tank assy | | Inkl. pos 11 - 12 | |
| | 11 | 1 | | 1911-3767-01 | • Bränslefilter | • Fuel pick-up | | | |
| | 12 | 1 | | 1911-3912-01 | • Tanklock | • Fuel tank cap | | | |
| X | 13 | 1 | | 1911-3913-01 | Fjäder | Spring | | | |
| X | 14 | 1 | | 1911-3914-01 | Gasreglage | Throttle trigger | | | |
| X | 14A | 1 | | 1911-3915-01 | Fjäder | Spring | | | |
| X | 15 | 1 | | 1911-3916-01 | Rör nedre m.drivaxel | Lower tube w.shaft | | | |
| X | 15A | 1 | | 1911-3917-01 | Rör övre m.drivaxel | Upper tube w.shaft | | | |
| X | 16 | 1 | | 1911-3896-01 | Stenskydd kpl | Stone guard assy | | Inkl. pos 17 | |
| | 17 | 1 | | 1911-3772-01 | • Kniv | • Line cutter blade | | | |
| X | 18 | 1 | | 1911-3897-01 | Handtag främre kpl | Front handle assy | | | |
| X | 19 | 1 | | 1911-3895-01 | Skärhuvud kpl | Cutting head assy | | Inkl. pos 20 - 22 | |
| | 19A | 1 | | 1911-9007-04 | Skärtråd (2.0 mm) | Cutting line (2.0 mm) | | 0.45 kg (130 m) | |
| | 19A | 1 | | 1911-9007-08 | Skärtråd (2.0 mm) | Cutting line (2.0 mm) | | 15 m | |
| X | 20 | 1 | | 1911-3898-01 | • Fjäder | • Spring | | | |
| X | 21 | 2 | | 1911-3899-01 | • Trådhylsa | • Line inlet | | | |
| | 22 | 1 | | 1911-3757-01 | • Ratt | • Knob | | | |
| X | 23 | 1 | | 1911-3900-01 | Snäckväxel kpl | Gear case assy | | | |
| X | 23A | 1 | | 1911-3901-01 | Hylsa | Collar | | | |
| X | 23B | 1 | | 1911-3902-01 | Övre ringmutter | Upper ring nut | | | |
| X | 23C | 1 | | 1911-3903-01 | Nedre ringmutter | Lower ring nut | | | |
| X | 23D | 1 | | 1911-3904-01 | Bricka | Washer | | | |
| X | 23E | 1 | | 1911-3905-01 | Mutter | Nut | | | |
| X | 24 | 1 | | 1911-3906-01 | Stabiliseringskål | Stabilizer bowl | | | |
| X | 25 | 1 | | 1911-3920-01 | Röjklinga | Clearing blade | | 3T | |
| X | 26 | 1 | | 1911-3907-01 | Nyckel- skärhuvud | Key- cutting head | | | |
| X | 27 | 1 | | 1911-3908-01 | Sele | Harness | | | |
| X | 28 | 1 | | 1911-3909-01 | Fäste f.sele | Harness support | | | |
| X | 29 | 1 | | 1911-3910-01 | Dekal- säkerhet | Label- safety | | | |
| | 30 | 1 | | 1911-3780-01 | Kopplingshjul | Clutch drum | | | |
| | 31 | 1 | | 1911-3779-01 | Koppling | Clutch | | | |
| | 32 | 1 | | 1911-3777-01 | Rörkoppling kpl | Tube joint | | | |
| | 33 | 1 | | 1911-3776-01 | Axelhylsa | Shaft sleeve | | | |



| Utgåva Issue | | Bildnr Picture No | | ST 210-SB 22 MOTOR | | ST 210-SB 22 ENGINE | | Sida Page | |
|-----------------|----------------|----------------------|--|-----------------------|--------------------------|----------------------------|-------------|------------------------------------|--|
| 2003-43 | | 1485A | | | | | | 276 | |
| Pos. Fig. | Antal/Quantity | | | Art nr Part No | Benämning | Description | Sats Kit | Anmärkning Notes | |
| | 1021 6110 | | | | | | | | |
| 1 | 1 | | | 1911-3781-01 | Start kpl..... | Start assy..... | | Inkl. pos 2 - 5 | |
| 2 | 1 | | | 1911-3782-01 | • Starthandtag..... | • Starter handle..... | | | |
| 3 | 1 | | | 1911-3783-01 | • Startsnöre..... | • Starter rope..... | | | |
| 4 | 1 | | | 1911-3784-01 | • Fjäder..... | • Spring..... | | | |
| 5 | 1 | | | 1911-3785-01 | • Linhjul..... | • Pulley..... | | | |
| 6 | 1 | | | 1911-3786-01 | Packningssats..... | Gasket set..... | | | |
| 7 | 1 | | | 1911-3787-01 | Förgasarfäste..... | Carburettor base..... | | | |
| 8 | 1 | | | 1911-3788-01 | Förgasare kpl..... | Carburettor assy..... | | | |
| 9 | 1 | | | 1911-3789-01 | • Chokespjäll..... | • Choke valve..... | | | |
| 10 | 2 | | | 1911-3790-01 | • Luftfilter..... | • Air filter..... | | Inkl. pos 9 - 10 | |
| 11 | 1 | | | 1911-3791-01 | Luftfilter kpl..... | Air filter assy..... | | | |
| 12 | 1 | | | 1911-3792-01 | Primer..... | Primer..... | | | |
| 15 | 1 | | | 1911-3855-01 | Startspärr kpl..... | Starter pawl assy..... | | | |
| 16 | 1 | | | 1911-3796-01 | Svånghjul..... | Flywheel..... | | | |
| 17 | 1 | | | 1911-3797-01 | • Tätningring..... | • Seal ring..... | | | |
| 18 | 1 | | | 1911-3798-01 | • Käl..... | • Key..... | | | |
| 19 | 1 | | | 1911-3799-01 | • Tätningring..... | • Seal ring..... | | | |
| 20 | 1 | | | 1911-3800-01 | Short-block..... | Short-block..... | | | |
| 21 | 2 | | | 1911-3801-01 | • • Låsring..... | • • Lock ring..... | | | |
| 22 | 2 | | | 1911-3802-01 | • • Packning..... | • • Gasket..... | | | |
| 23 | 1 | | | 1911-3803-01 | • • Kolvbult..... | • • Piston pin..... | | | |
| 23A | 2 | | | 1911-3816-01 | • • Kolvring..... | • • Piston ring..... | | | |
| 24 | 1 | | | 1911-3804-01 | • Kolv kpl..... | • Piston assy..... | | Inkl. pos 21 - 23A Inkl. pos 24 | |
| 25 | 1 | | | 1911-3805-01 | Cylinder kpl m.kolv..... | Cylinder assy w.pisto..... | | | |
| 26 | 2 | | | 1911-3806-01 | Skruv..... | Screw..... | | | |
| 27 | 1 | | | 1911-3807-01 | Ljuddämpare..... | Muttler..... | | | |
| 28 | 2 | | | 1911-3808-01 | Skruv..... | Screw..... | | | |
| 29 | 1 | | | 1911-3809-01 | Motorkåpa..... | Engine shield..... | | | |
| 30 | 1 | | | 9400-0258-00 | Tändstift..... | Spark plug..... | | Champion CJ7Y | |
| 31 | 1 | | | 1911-3810-01 | Kablage..... | Wiring harness..... | | | |
| 32 | 1 | | | 1911-3811-01 | Elektronikspole..... | Electronic coil..... | | | |
| 33 | 2 | | | 1911-3812-01 | Distans..... | Spacer..... | | | |
| 34 | 2 | | | 1911-3813-01 | Skruv..... | Screw..... | | | |
| 35 | 1 | | | 1911-3814-01 | Svånghjulslock..... | Flywheel cover..... | | | |
| 36 | 1 | | | 1911-3815-01 | Tändstiftsskydd..... | Spark plug cover..... | | | |

X



| Utgåva Issue | | Bildnr Picture No | | KULTIVATOR ST 210-SB 22 ART.NR 19-1921-11 | | CULTIVATOR ST 210-SB 22 ART.NO 19-1921-11 | | Sida Page | |
|-----------------|----------------|----------------------|--|---|---------------------|---|-------------|---------------------|--|
| 2004-12 | | 1733 | | | | | | 366 | |
| Pos. Fig. | Antal/Quantity | | | Art nr Part No | Benämning | Description | Sats Kit | Anmärkning Notes | |
| | 1921 | | | | | | | | |
| X | 1 | 1 | | 1911-2011-01 | Flexaxel..... | Flex shaft..... | | | |
| X | 2 | 1 | | 1911-2030-01 | Bricka | Washer..... | | | |
| X | 3 | 1 | | 1911-2014-01 | Bussning | Bushing..... | | | |
| X | 4 | 1 | | 1911-2010-01 | Rör | Steel tube..... | | | |
| X | 5 | 4 | | 1911-2027-01 | Skruv | Screw..... | | | |
| X | 6 | 1 | | 1911-2006-01 | Skydd | Guard shield..... | | | |
| X | 7 | 2 | | 1911-2016-01 | Bussning | Bushing..... | | | |
| X | 8 | 4 | | 1911-2026-01 | Mutter..... | Nut..... | | | |
| X | 9 | 1 | | 1911-2015-01 | Packning..... | Gasket..... | | | |
| X | 10 | 1 | | 1911-2019-01 | Skruv | Screw..... | | | |
| X | 11 | 10 | | 1911-2028-01 | Skruv | Screw..... | | | |
| X | 12 | 1 | | 1911-2022-01 | Transm.hus- hö..... | Gearbox- RH..... | | | |
| X | 13 | 1 | | 1911-2008-01 | Tätningring | Oil seal..... | | | |
| X | 14 | 1 | | 1911-2017-01 | Bussning | Bushing..... | | | |
| X | 15 | 1 | | 1911-2013-01 | Lager | Bearing..... | | | |
| X | 16 | 1 | | 1911-2007-01 | Snäckskruv | Worm shaft..... | | | |
| X | 17 | 1 | | 1911-2018-01 | Bussning | Bushing..... | | | |
| X | 18 | 2 | | 1911-2024-01 | Rotor | Blade..... | | | |
| X | 19 | 4 | | 1911-2020-01 | Sprint..... | Pin..... | | | |
| X | 20 | 4 | | 1911-2021-01 | Låssprint | Pin lock..... | | | |
| X | 21 | 2 | | 1911-2025-01 | Rotor | Blade..... | | | |
| X | 22 | 1 | | 1911-2012-01 | Axel m drev | Spiral gear assy..... | | Inkl. pos 23 | |
| X | 24 | 1 | | 1911-2023-01 | Transm.hus- vä..... | Gearbox- LH..... | | | |
| X | 25 | 2 | | 1911-2001-01 | O-ring | O-ring..... | | | |
| X | 26 | 2 | | 1911-2000-01 | Bricka | Washer..... | | | |
| X | 27 | 2 | | 1911-2009-01 | Filtring | Dust ring..... | | | |
| X | 28 | 1 | | 1911-2004-01 | Bricka | Washer..... | | | |
| X | 29 | 2 | | 1911-2003-01 | Bricka | Washer..... | | | |
| X | 30 | 4 | | 1911-2031-01 | Bricka | Washer..... | | | |
| X | 31 | 1 | | 1911-2002-01 | O-ring | O-ring..... | | | |
| X | 32 | 2 | | 1911-2005-01 | Bricka | Washer..... | | | |
| X | 33 | 2 | | 1911-2029-01 | Skruv | Screw..... | | | |
| X | 34 | 1 | | 1911-2032-01 | Fjäderbricka | Spring washer..... | | | |
| X | 35 | 1 | | 1911-2033-01 | Skyddshatt..... | Sleeve..... | | | |