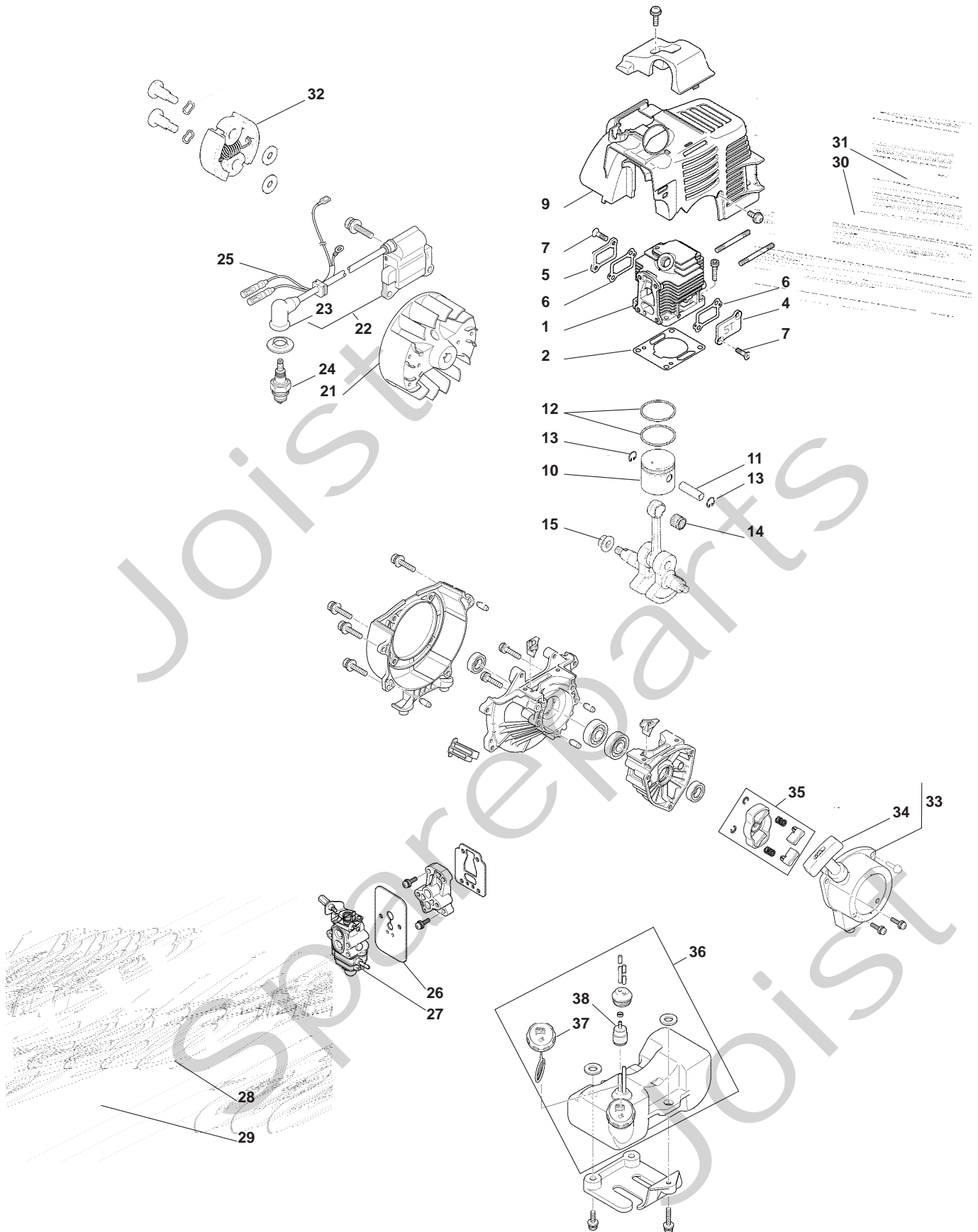


# Genuine Spare Parts

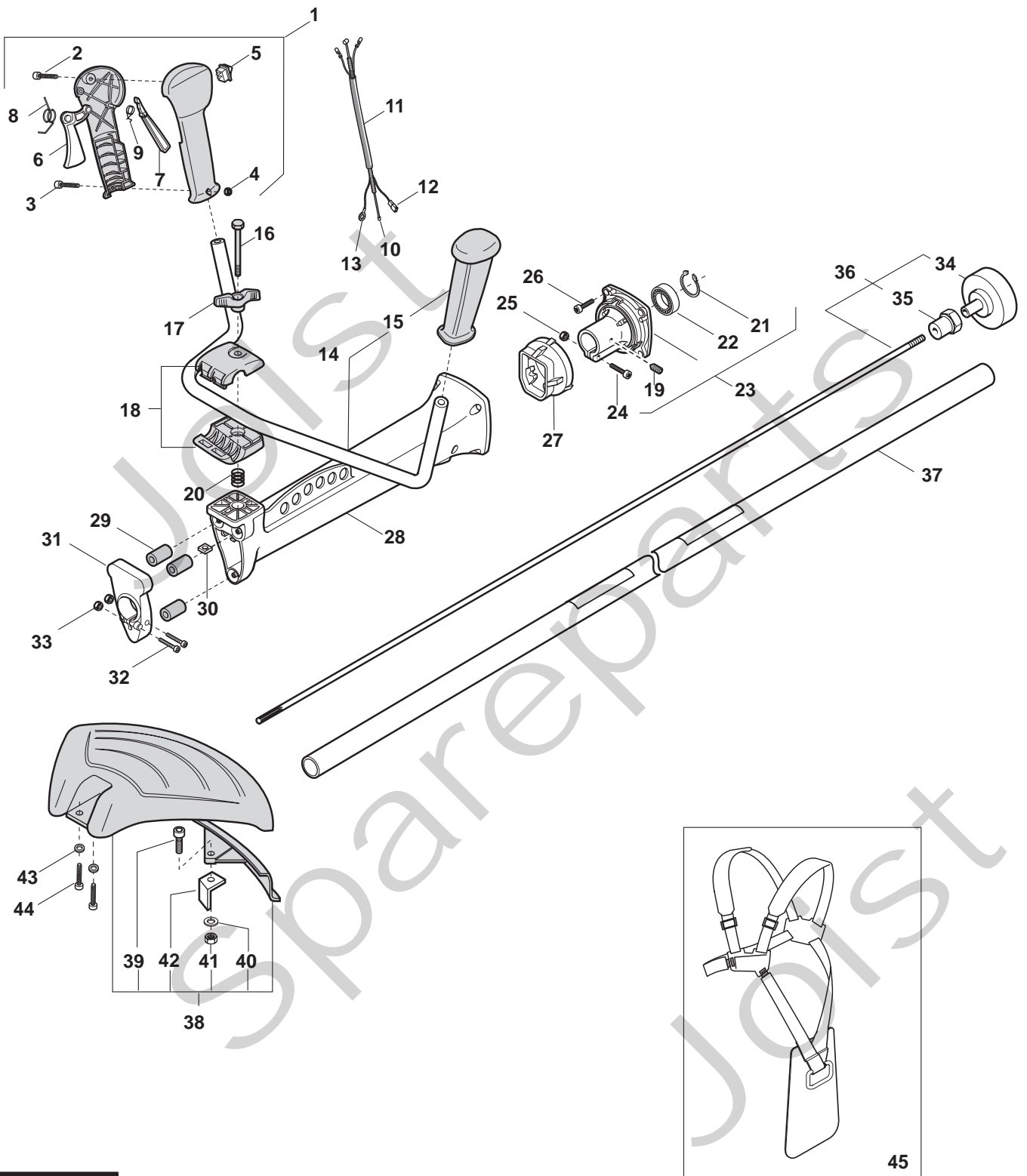
---



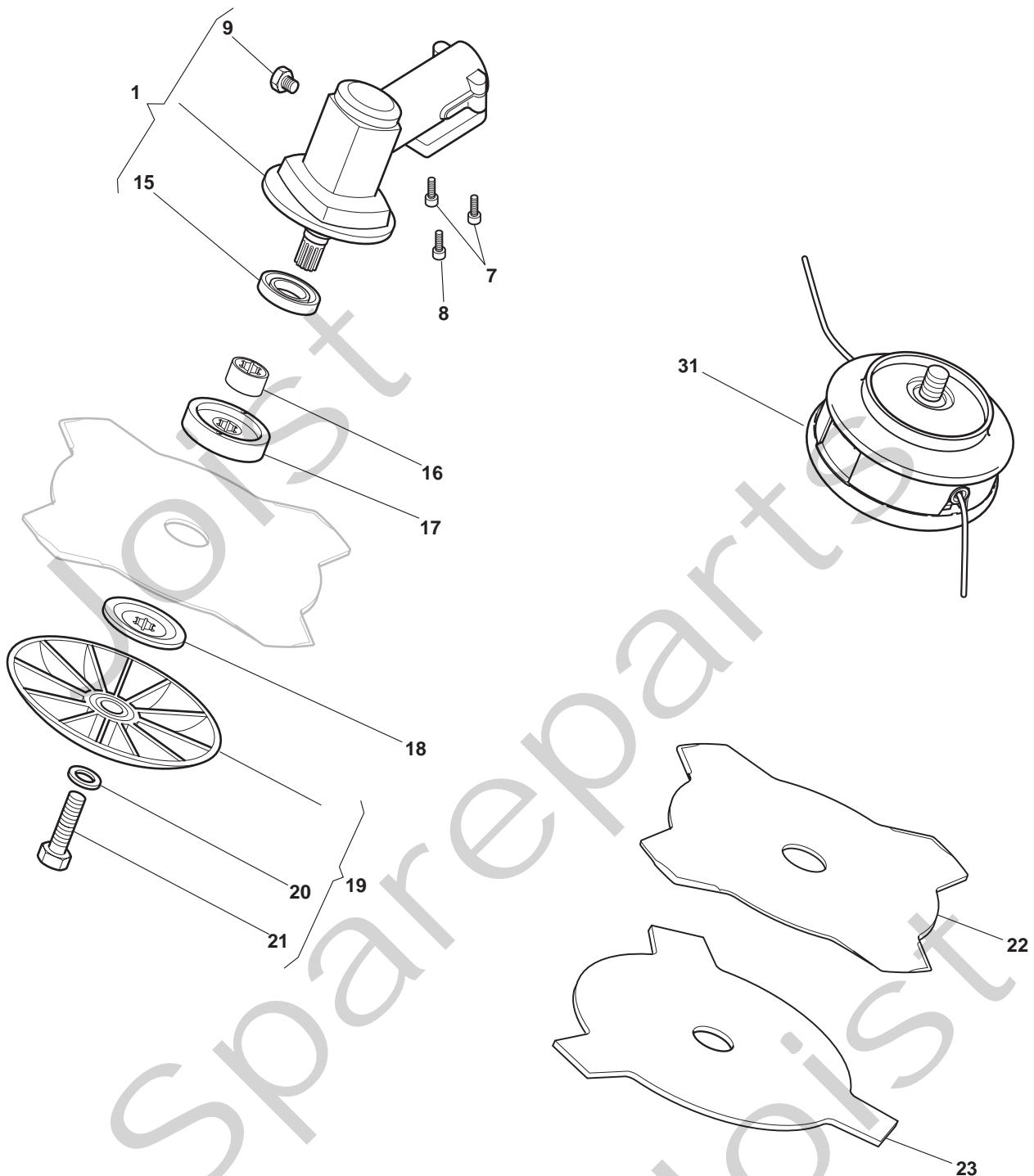
Joist  
Spareparts  
Joist



Utgåva Issue		Bildnr Picture No		SB 35- SB 35D RÖJARE MOTOR		SB 35- SB 35D BRUSH CUTTER ENGINE		Sida Page	
2008- 12		2510						312	
Pos. Fig.	Antal/Quantity				Art nr Part No	Benämning	Description	Sats Kit	Anmärkning Notes
	3525 3526 -11								
X	1	1			123071011/0	Cylinder .....	Cylinder .....		
X	2	1			123280031/0	Packning .....	Gasket .....		
X	4	1			123109539/0	Lock .....	Cover .....		
X	5	1			123109540/0	Lock .....	Cover .....		
X	6	2			123280032/0	Packning .....	Gasket .....		
X	7	4			123878054/0	Skruv .....	Screw .....		
X	9	1			123106023/0	Cylinderkåpa- gul .....	Cylinder cover- yellow .....		
X	10	1			123590005/0	Kolv .....	Piston .....		
X	11	1			123760002/0	Kolvbult .....	Piston pin .....		
X	12	2			123204006/0	Kolvring .....	Piston ring .....		
X	13	2			123202003/0	Låsring .....	Lock ring .....		
X	14	1			123235004/0	Nållager .....	Needle bearing .....		
X	15	1			123120005/0	Mutter .....	Nut .....		
X	21	1			123880006/0	Svängjul .....	Flywheel .....		
X	22	1			123044009/0	Elektronikspole .....	Electronic coil .....		Inkl. pos 23
X	23	1			123053002/0	• Tändstiftshatt .....	• Spark plug cap .....		
X	24	1			23051000/0	Tändstift .....	Spark plug .....		
X	25	1			183065022/0	Jordkabel .....	Earth cable .....		
X	26	1			123280033/0	Packning .....	Gasket .....		
X	27	1			123054023/0	Förgasare .....	Carburettor .....		
X	28	1			123220009/0	Lufffilter .....	Air filter .....		
X	29	1			183090005/0	Lufffilterkåpa .....	Air filter cover .....		
X	30	1			123280029/0	Packning .....	Gasket .....		
X	31	1			183740007/0	Ljuddämpare .....	Muffler .....		
X	32	1			183215004/0	Koppling .....	Clutch unit .....		
X	33	1			183058022/0	Start .....	Starter .....		Inkl. pos 34
X	34	1			123300007/0	• Starthandtag .....	• Starter handle .....		
X	35	1			123082003/0	Startkopp .....	Starter cup .....		
X	36	1			183733006/0	Bränsletank .....	Fuel tank .....		Inkl. pos 37- 38
X	37	1			183790008/0	• Tanklock .....	• Tank cap .....		
X	38	1			183520004/0	• Bränslefilter .....	• Fuel intake filter .....		



Utgåva Issue		Bildnr Picture No		SB 35D RÖJARE		SB 35D BRUSH CUTTER		Sida Page	
2008- 12		1284A						308	
Pos. Fig.	Antal/Quantity				Art nr Part No	Benämning	Description	Sats Kit	Anmärkning Notes
	3526	-11							
	1	1			8563830	Handtag kpl .....	Handle assy.....		Inkl. pos 2 - 9
	2	1			2123030	• Skruv .....	• Screw .....		
	3	1			2135050	• Skruv .....	• Screw .....		
	4	1			12154330/0	• Mutter .....	• Nut .....		
	5	1			3210970	• Brytare .....	• Switch .....		
	6	1			3743431/1	• Gasreglage.....	• Throttle lever .....		
	7	1			3743441	• Säkerhetsspärr .....	• Safety lever .....		
	8	1			3654270/1	• Fjäder .....	• Spring .....		
	9	1			3654280/1	• Fjäder .....	• Spring .....		
X	10	1			123066013/0	Gaswire .....	Throttle cable .....		
	11	1			3786220	Kabelhölje.....	Wire sheath .....		
X	12	1			123065031/0	Kabel .....	Cable .....		
X	13	1			123065032/0	Jordkabel.....	Earth cable .....		
	14	1			4252840/1	Styre .....	Handle .....	Inkl. pos 15	
	15	1			3744860/1	• Handtagsgrepp .....	• Knob .....		
	16	1			2112580	Skruv .....	Screw .....		
	17	1			3750480	Vingmutter.....	Wing nut .....		
	18	1			8521070	Styrinfästning kpl .....	Handgrip support .....		
	19	1			2126050	• Skruv .....	• Screw .....		
	20	1			3654530	Fjäder .....	Spring .....		
	21	1			3353080	• Låsring .....	• Circlip .....		
	22	1			3112170	• Kullager .....	• Ball bearing .....		
X	23	1			3L8520990/3	Transm.nav .....	Transm.hub .....	Inkl. pos 19, 21 - 22	
	24	1			2135150	Skruv .....	Screw .....		
	25	1			2432030	Mutter .....	Nut .....		
	26	4			2135160	Skruv .....	Screw .....		
	27	1			3744330	Vibrationsdämpare- bak.....	Shock absorber- rear.....		
	28	1			4563850/2	Transmissionshus .....	Transmission housing .....		
	29	3			3744320	Vibrationsdämpare- fra .....	Shock absorber- front .....		
	30	1			3615190	Fästplatta .....	Handle fixing plate .....		
	31	1			4563860	Stöd- främre .....	Housing support- front.....		
	32	2			2135060	Skruv .....	Screw .....		
	33	2			12154330/0	Mutter .....	Nut .....		
	34	1			4121861/1	• Kopplingshjul .....	• Clutch drum .....	Inkl. pos 34 - 35	
	35	1			3642191	• Lagernav .....	• Bearing hub.....		
	36	1			4251400	Drivaxel kpl .....	Transmission shaft.....	Ø 26 mm	
	37	1			4251204	Drivaxelrör.....	Transmission pipe .....		
	38	1			8563570	Stänkskydd kpl .....	Safety cover assy .....	Inkl. pos 39 - 42	
	39	1			2135030	• Skruv .....	• Screw .....		
	40	1			2312150	• Bricka .....	• Washer .....		
	41	1			2432040	• Mutter .....	• Nut .....		
	42	1			3615000	• Kniv .....	• Line cutter .....		
	43	2			2312150	Bricka .....	Washer .....		
	44	2			2135060	Skruv .....	Screw .....		
	45	1			4253440	Sele .....	Harness.....		



Utgåva Issue 2008-12		Bildnr Picture No 1488C		SB 35- SB 35D RÖJARE SNÄCKVÄXEL		SB 35- SB 35D BRUSH CUTTER GEAR CASE		Sida Page 310	
Pos. Fig.	Antal/Quantity				Art nr Part No	Benämning	Description	Sats Kit	Anmärkning Notes
	3525 3526 -11								
1	1				4252780/1	Snäckväxel kpl.....	Gear case assy.....		Inkl. pos 9, 15
7	2				2135050	Skruv.....	Screw.....		
8	1				2653090	Skruv.....	Screw.....		
9	1				2653460	• Skruv.....	• Screw.....		
15	1				3121170	• Tätningsring.....	• Oil seal.....		
16	1				3641700/1	Krage.....	Collar.....		
17	1				3641640	Ringmutter- övre.....	Ring nut- upper.....		
18	1				3612640	Ringmutter- nedre.....	Ring nut- lower.....		
19	1				4560610	Stabilisator kpl.....	Stabilizer assy.....		Inkl. pos 20 - 21
20	1				2321230	• Bricka.....	• Washer.....		
21	1				2653170	• Skruv.....	• Screw.....		
22	1				4611880	Röjklina.....	Blade.....		4T - Ø 255 mm
23	1				6031172	Röjklina.....	Blade.....		3T - Ø 255 mm
31	1				4353240/1	Skärhuvud kpl.....	Cutting head assy.....		M8x1,25 SX male
99	1				1911-9008-04	Skärtråd (2.4 mm).....	Cutting line (2.4 mm).....		0.45 kg (90 m)
99	1				1911-9008-08	Skärtråd (2.4 mm).....	Cutting line (2.4 mm).....		15 m