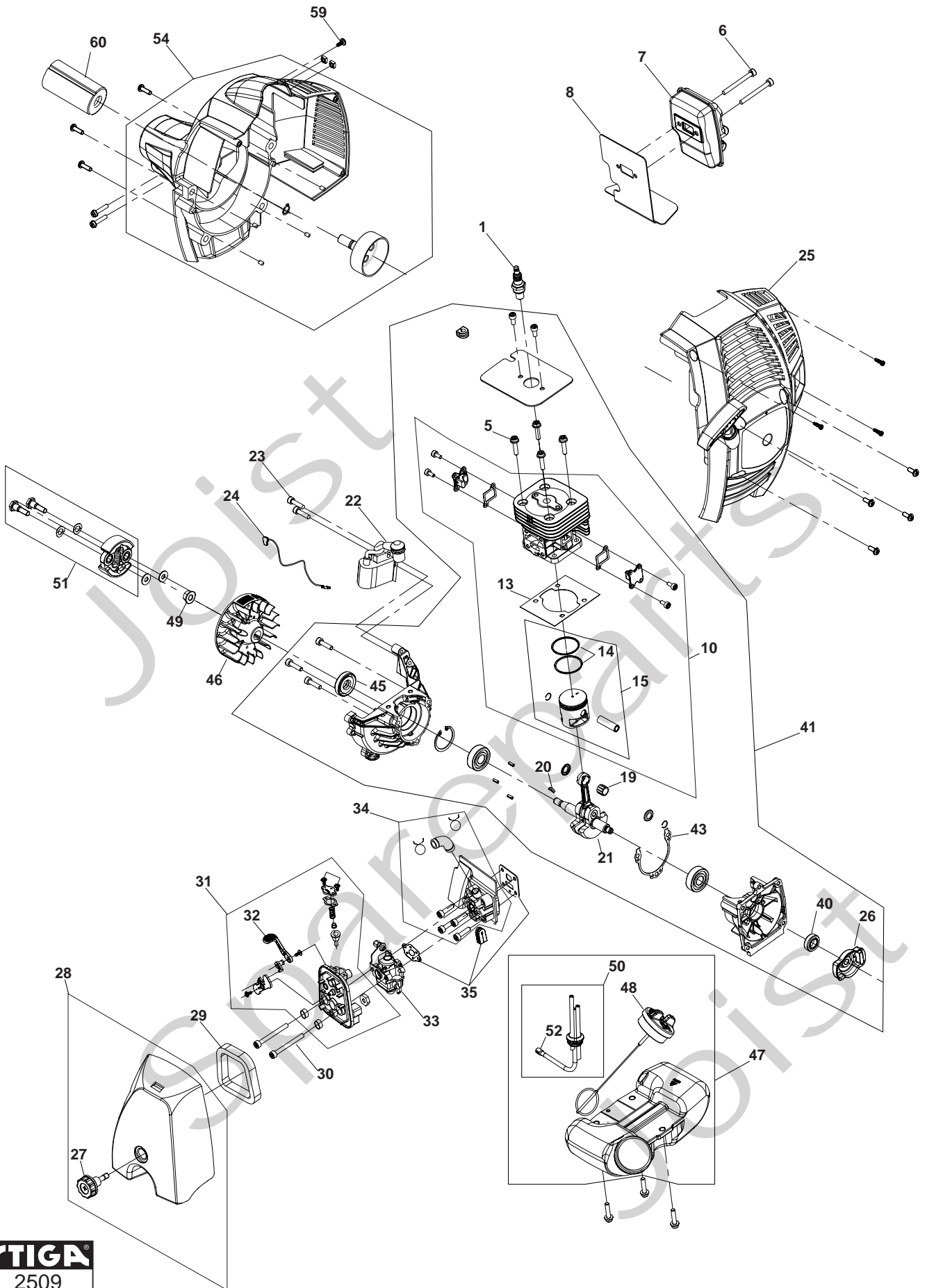


# Genuine Spare Parts

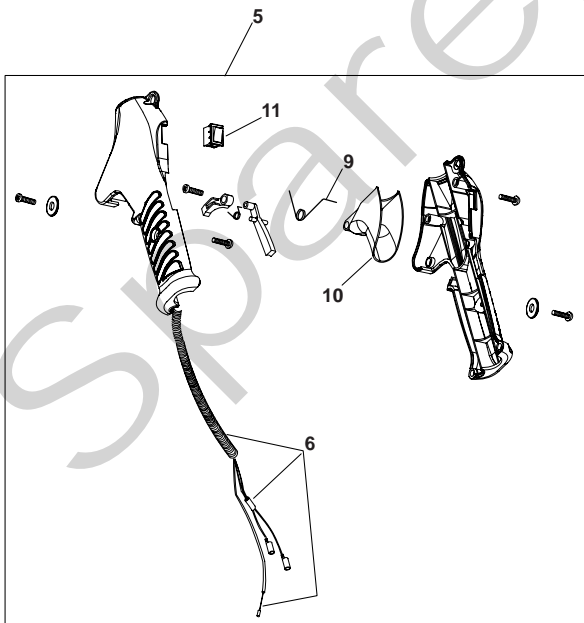
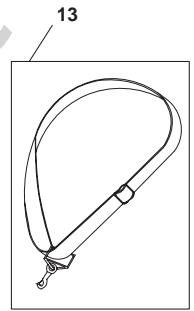
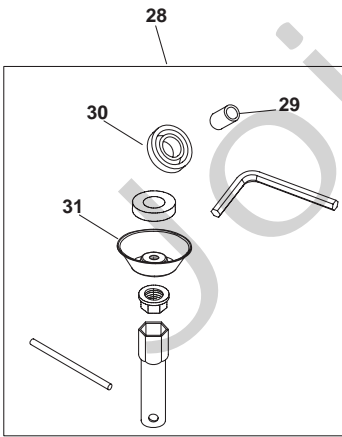
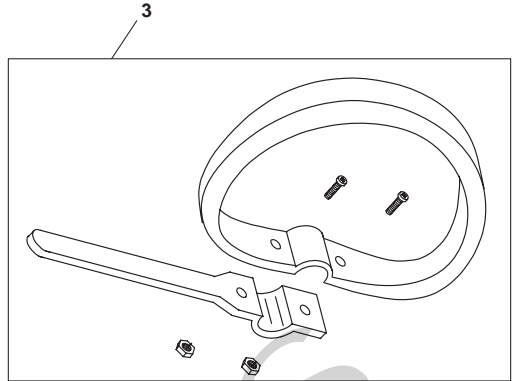
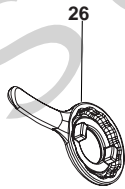
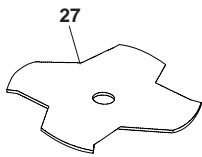
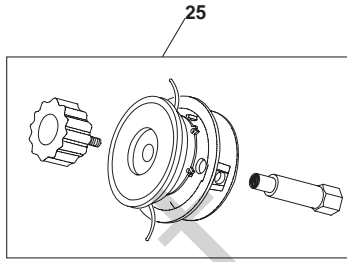
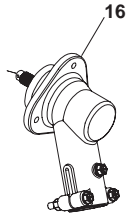
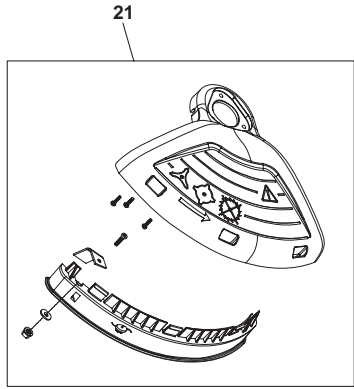
---



Joist  
Spareparts  
Joist



Utgåva Issue		Bildnr Picture No		SB 32- SB 32D MOTOR		SB 32- SB 32D ENGINE		Sida Page	
2008- 12		2509						296	
Pos. Fig.	Antal/Quantity				Art nr Part No	Benämning	Description	Sats Kit	Anmärkning Notes
	3117								
	3118								
X	1	1			23051000/0	Tändstift .....	Spark plug.....		
X	5	1			123878049/0	• Skruv .....	• Screw .....		
X	6	1			123878050/0	Skruv .....	Screw .....		
X	7	1			183740005/0	Ljuddämpare .....	Muffler .....		
X	8	1			123280025/0	Packning .....	Gasket .....		
X	10	1			183070004/0	• Cylinder kpl.....	• Cylinder assy.....		Inkl. pos 13- 15
X	13	1			123280026/0	•• Packning .....	•• Gasket .....		
X	14	2			123204005/0	••• Kolvring .....	••• Piston ring.....		
X	15	1			183590004/0	•• Kolv kpl.....	•• Piston assy.....		Inkl. pos 14
X	19	1			123072001/0	• Nållager .....	• Needle bearing .....		
X	20	1			123072000/0	• Kil .....	• Key .....		
X	21	1			123020019/0	• Vevaxel .....	• Crankshaft.....		
X	22	1			123044007/0	Elektronikspole .....	Electronic coil .....		
X	23	1			123878051/0	Skruv .....	Screw .....		
X	24	1			123065033/0	Tändstiftskabel .....	Spark plug cable .....		
X	25	1			183037001/0	Start kpl- gul.....	Starter assy- yellow.....		
X	26	1			123082001/0	• Startkopp .....	• Starter cup .....		
X	27	1			123593505/0	• Lås ratt .....	• Knob .....		
X	28	1			183090003/0	Lufffilterkåpa- gul.....	Air filter cover- yello .....		Inkl. pos 27
X	29	1			123220008/0	Lufffilter .....	Air filter .....		
X	30	1			123878052/0	Skruv .....	Screw .....		
X	31	1			383781001/0	Filterhus.....	Air filter holder .....		Inkl. pos 32
X	32	1			123315077/0	• Chokeregglage.....	• Choke lever .....		
X	33	1			123054021/0	Förgasare kpl.....	Carburettor assy .....		
X	34	1			383073501/0	Insugningsrör.....	Intake manifold .....		
X	35	1			183303511/0	Packning.....	Gasket .....		
X	40	1			119035154/0	• Tätningsring .....	• Seal ring .....		
X	41	1			183275302/0	Shortblock.....	Short block .....		
X	43	1			123280027/0	• Packning .....	• Gasket .....		
X	45	1			112020001/0	• Tätningsring .....	• Seal ring .....		
X	46	1			183880004/0	Svänghjul.....	Flywheel .....		
X	47	1			183733004/0	Bränsletank kpl.....	Fuel tank .....		Inkl. pos 48, 50, 52
X	48	1			123790016/0	• Tanklock .....	• Tank cap .....		
X	49	1			123120004/0	Mutter.....	Nut .....		
X	50	1			383240001/0	• Tankgenomföring.....	• Tank grommet.....		Inkl. pos 52
X	51	1			183215003/0	Koppling .....	Clutch.....		
X	52	1			183520001/0	•• Bränslefilter .....	•• Fuel intake filter.....		
X	54	1			383785001/0	Transm.hus- gul.....	Transm.support- yellow.....		
X	59	1			6980624	Skruv .....	Screw .....		
X	60	1			123275020/0	Hylsa .....	Grommet.....		



Utgåva Issue		Bildnr Picture No		SB 32 RÖJARE		SB 32 BRUSH CUTTER		Sida Page	
2008- 12		2507						292	
Pos. Fig.	Antal/Quantity				Art nr Part No	Benämning	Description	Sats Kit	Anmärkning Notes
	3117								
X 1	1				383869063/0	Transm.rör.....	Transm.tube.....		Inkl. pos 2
X 2	1				123020021/0	• Drivaxel.....	• Drive shaft.....		
X 3	1				383300018/0	Handtag.....	Handle.....		
X 5	1				383300019/0	Handtag kpl.....	Handle assy.....		Inkl. pos 6- 11
X 6	1				183065018/0	• Kablage.....	• Cables.....		
X 9	1				123430580/0	• Fjäder.....	• Spring.....		
X 10	1				123315049/0	• Gasreglage.....	• Throttle lever.....		
X 11	1				6980206	• Brytare.....	• Switch.....		
X 12	1				383780001/0	Fäste.....	Harness support.....		
X 13	1				123046004/0	Sele.....	Harness.....		
X 16	1				383820505/0	Snäckväxel.....	Gear case assy.....		
X 21	1				383465005/0	Skyddskåpa.....	Safety cover.....		
X 25	1				383820504/0	Skärhuvud kpl.....	Cutting head assy.....		
X 26	1				123070009/0	Nyckel.....	Nylon head key.....		
X 27	1				123155006/0	Röjklinga.....	Blade disc.....	4T	
X 28	1				383303512/0	Mont.detaljer.....	Assy parts.....		Inkl. pos 29- 31
X 29	1				6980307	• Hylsa.....	• Collar.....		
X 30	1				6980308	• Övre ringmutter.....	• Upper ring nut.....		
X 31	1				6980312	• Stabiliserings-skål.....	• Stabilizer.....		