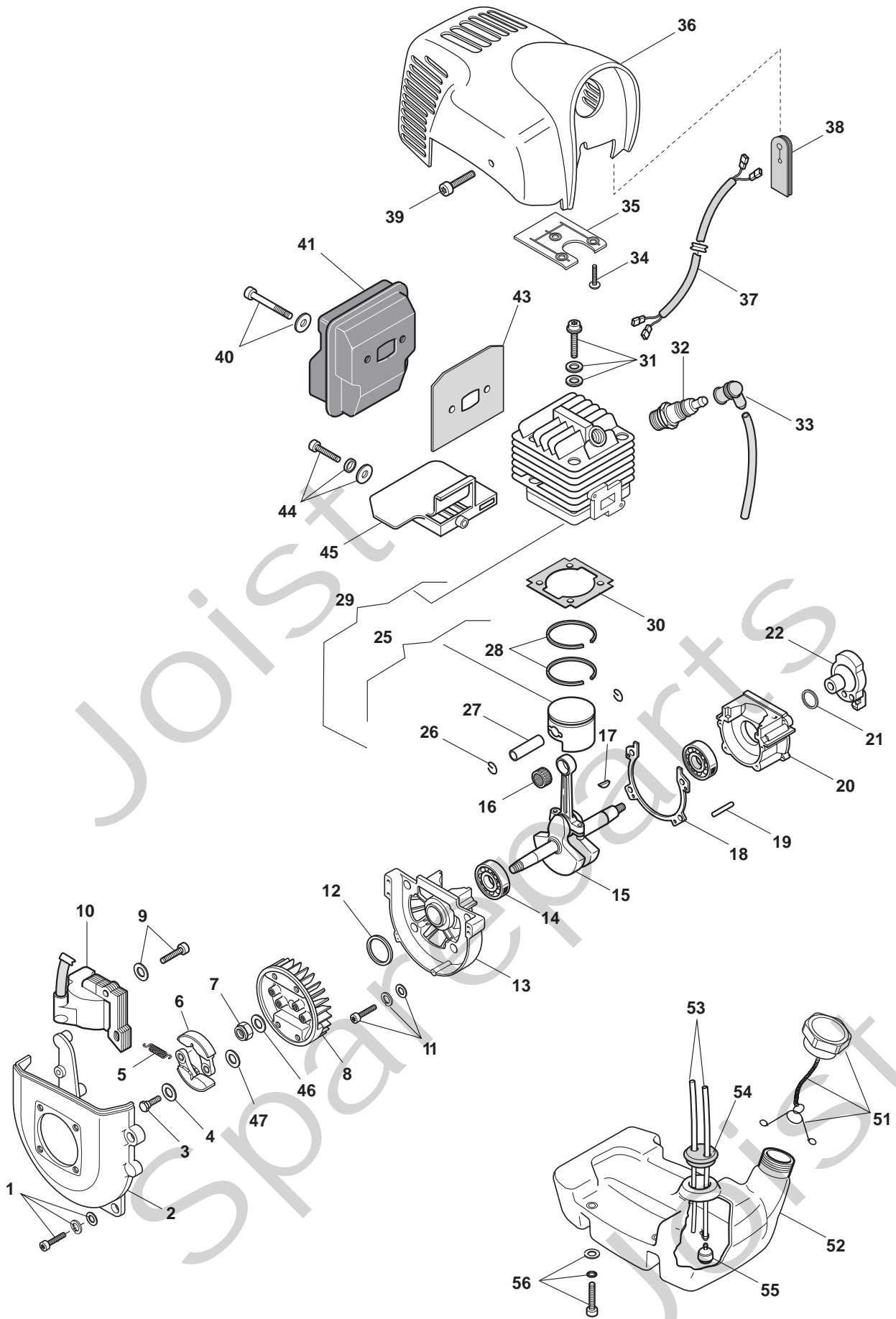


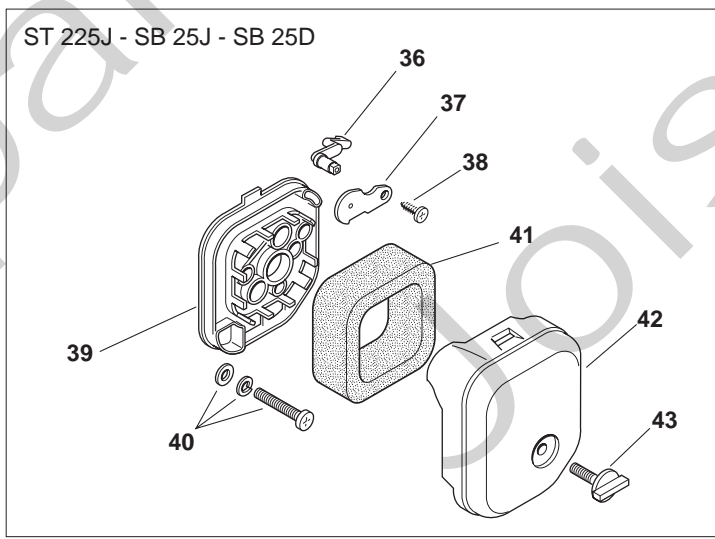
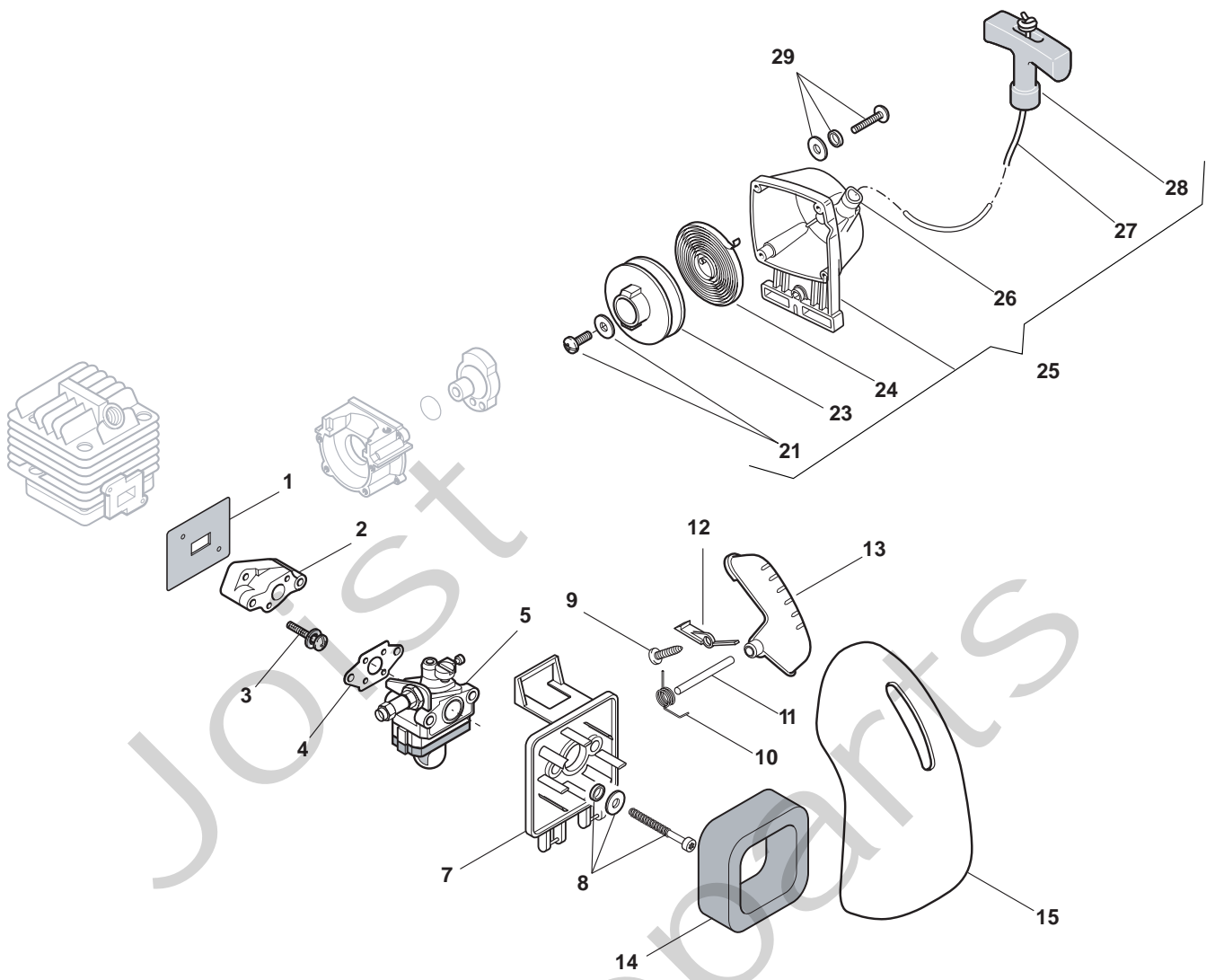
Genuine Spare Parts



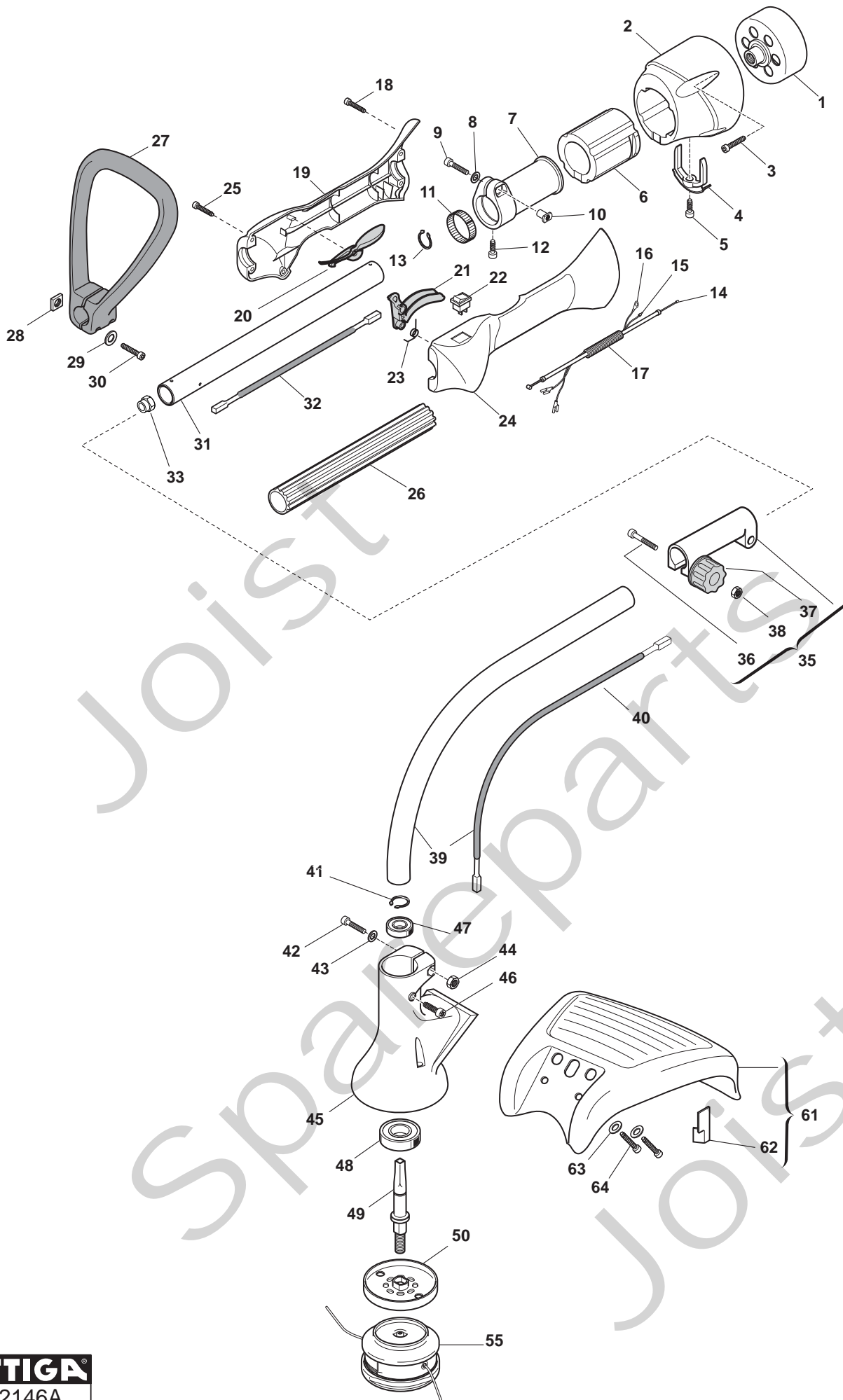
Joist
Spareparts
Joist



Utgåva Issue		Bildnr Picture No		ST 225J- SB 25J- SB 25D ST 291 SB 27J- SB 29J MOTOR		ST 225J- SB 25J- SB 25D ST 291 SB 27J- SB 29J ENGINE		Sida Page	
2007- 12		1968B						276	
Pos. Fig.	Antal/Quantity			Art nr Part No	Benämning	Description	Sats Kit	Anmärkning Notes	
	1025 6109	1031 6116 6117							
1	4	4		6981113	Skrivsats.....	Screw set.....			
2	1	1		6981009	Stödhus.....	Transm.support case.....			
3	2	2		6981035	Skruv.....	Screw.....			
4	2	2		6981033	Bricka.....	Washer.....			
5	1	1		6981034	Fjäder.....	Spring.....			
6	2	2		6981032	Koppling.....	Clutch unit.....			
7	1	1		6981143	Mutter.....	Nut.....			
8	1	1		6981002	Svängjul.....	Flywheel.....			
9	2	2		6981116	Skruv.....	Screw.....			
10	1	1		6981001	Elektronikspole.....	Electronic coil.....			
11	4	4		6981114	Skruv.....	Screw.....			
12	1	1		6981008	Tätningring.....	Seal ring.....			
13	1	1		6981005	Vevhus- främre.....	Crankcase- front.....			
14		2		6981097	Kullager.....	Ball bearing.....			
14	2			6981110	Kullager.....	Ball bearing.....			
15	1	1		6981016	Vevaxel.....	Crankshaft.....			
16	1	1		6981017	Nållager.....	Needle bearing.....			
17	1	1		6981096	Kil.....	Key.....			
18	1	1		6981007	Packning.....	Gasket.....			
19	3	3		6981126	Centrerstift.....	Centring pin.....			
20	1	1		6981006	Vevhus- bakre.....	Crankcase- rear.....			
21	1	1		6981008	Tätningring.....	Seal ring.....			
22	1	1		6981031/1	Startkopp.....	Starter cup.....			
25	1	1		6981012	• Kolv kpl.....	• Piston assy.....		Inkl. pos 26 - 28	
26	2	2		6981015	•• Låsring.....	•• Lock ring.....			
27	1	1		6981014	•• Kolvbult.....	•• Piston pin.....			
28	2	2		6981013	•• Kolvring.....	•• Piston ring.....			
29	1	1		6981003	Cylinder- kolv kpl.....	Cylinder- piston assy.....		Inkl. pos 25	
30	1	1		6981004	Packning.....	Gasket.....			
31	4	4		6981113	Skrivsats.....	Screw set.....			
32	1	1		6981106	Tändstift.....	Spark plug.....			
33	1	1		6981023	Tändstiftshatt.....	Spark plug cap.....			
34	3	3		6981285	Skruv.....	Screw.....			
35	1	1		6981044	Skydd.....	Guard.....			
36	1	1		6981122	Motorkåpa- gul.....	Engine cover- yellow.....			
37	2	2		6981022	Kabel.....	Cable.....			
38	1	1		6981021	Kabelhållare.....	Cable retainer.....			
39	2	2		6981098	Skruv.....	Screw.....			
40	2	2		6981115	Skrivsats.....	Screw set.....			
41	1	1		6981040	Ljuddämpare.....	Muffler.....			
43	1	1		6981041	Packning.....	Gasket.....			
44	1	1		6981116	Skruv.....	Screw.....			
45	1	1		6981043	Skydd.....	Guard.....			
46	1	1		6981128	Bricka.....	Washer.....			
47	2	2		6981276	Bricka.....	Washer.....			
51	1	1		6981091	Tanklock.....	Tank cap.....			
52	1	1		6981036	Bränsletank.....	Fuel tank.....			
53	2	2		6981038	Bränsleslang.....	Fuel hose.....			
54	1	1		6981039	Gummihylsa.....	Rubber grommet.....			
55	1	1		4253291	Bränslefilter.....	Fuel intake filter.....			
56	4	4		6981101	Skrivsats.....	Screw set.....			



Utgåva Issue		Bildnr Picture No		ST 225J- SB 25J- SB 25D ST 291 SB 27J- SB 29J MOTOR		ST 225J- SB 25J- SB 25D ST 291 SB 27J- SB 29J ENGINE		Sida Page	
2007- 12		1969A						278	
Pos. Fig.	Antal/Quantity			Art nr Part No	Benämning	Description	Sats Kit	Anmärkning Notes	
	1025 6109	1031 6116 6117							
1	1	1		6981011	Packning.....	Gasket			
2	1	1		6981010	Insugningsrör.....	Intake manifold			
3	2	2		6981266	Skruvsats.....	Screw set			
4	1	1		6981018	Packning.....	Gasket			
5		1		23054010/0	Förgasare.....	Carburettor.....			
5	1			23054013/1	Förgasare	Carburettor.....			
7		1		6981019	Lufffilterhållare	Air filter holder			
8		2		6981105	Skruv	Screw			
9		2		6981269	Skruv	Screw			
10		1		6981045	Fjäder.....	Spring			
11		1		6981046	Stift.....	Pin			
12		1		6981047	Hållare	Retainer			
13		1		6981107	Tryckknapp	Button			
14		1		6981020	Lufffilter	Air filter			
15		1		6981120	Filterlock- gul	Filter cover- yellow			
21	1	1		6981099	• Skruv	• Screw			
23	1	1		6981026	• Linhjul.....	• Starter pulley.....			
24	1	1		6981025	• Fjäder.....	• Spring			
25	1	1		6981024/1	Start kpl.....	Starter assy		Inkl. pos 21 - 28	
26	1	1		6981028	• Linguide.....	• Rope guide.....			
27	1	1		6981029	• Startsnöre.....	• Starter cord.....			
28	1	1		6981027	• Starthandtag	• Starter handle.....			
29	4	4		6981116	Skruv	Screw			
36	1			6981137	Chokearm	Choke lever			
37	1			6981136	Chokespjäll	Choke valve.....			
38	1			6981268	Skruv	Screw			
39	1			6981131	Lufffilterhus	Air filter holder.....			
40	2			6981104	Skruvsats.....	Screw set			
41	1			6981020	Lufffilter.....	Air filter			
42	1			6981134	Filterlock	Filter cover			
43	1			6981132	Skruv	Screw.....			



Utgåva Issue		Bildnr Picture No		ST 291 TRIMMER		ST 291 TRIMMER		Sida Page	
2007- 12		2146A						268	
Pos. Fig.	Antal/Quantity				Art nr Part No	Benämning	Description	Sats Kit	Anmärkning Notes
	1031 -11								
1	1			83050003/0	Kopplingshjul.....	Clutch drum			
2	1			23782005/0	Transmissionsstöd	Transmission support			
3	4			2135160	Skruv	Screw			
4	1			23232001/0	Gaffel	Fork			
5	1			2123100	Skruv	Screw			
6	1			23275000/0	Hylsa	Grommet			
7	1			23782003/0	Stöd	Support			
8	1			2312020	Bricka	Washer			
9	1			2135040	Skruv	Screw			
10	1			3643470	Bussning	Bushing			
11	1			3180560	Reduktion	Reduction			
12	1			2653090	Skruv	Screw			
13	1			12608600/0	Låsring	Seegerring			
14	1			23066003/0	Gaswire	Throttle wire			
15	1			23065000/0	Kabel	Cable			
16	1			23065014/0	Jordkabel	Earth cable			
17	1			23290000/0	Kabelhölje	Wire sheath			
18	1			2123100	Skruv	Screw			
19	1			23700002/0	Handtag- hö	Handle- RH			
20	1			23315055/0	Säkerhetsspärr	Safety lever			
21	1			23315054/0	Gasreglage	Throttle lever			
22	1			3210970	Brytare	Switch			
23	1			23430551/1	Fjäder	Spring			
24	1			23700003/0	Handtag- vä	Handle- LH			
25	4			2123030	Skruv	Screw			
26	1			23170000/0	Värmeisolering	Heat insulator			
27	1			23300000/0	Handtag- främre	Handle- front			
28	2			2461030	Mutter	Nut			
29	2			2312090	Bricka	Washer			
30	2			2135050	Skruv	Screw			
31	1			83869053/0	Drivaxelrör	Transmission pipe			
32	1			23020007/0	Drivaxel	Drive shaft			
33	1			23650001/0	Axelhylsa	Shaft sleeve			
35	1			83260000/0	Rörkoppling kpl	Joint assy		Inkl. pos 36 - 38	
36	1			12689500/0	• Skruv	• Screw			
37	1			23593500/0	• Låsrott	• Locking knob			
38	1			2412020	• Mutter	• Nut			
39	1			83869058/0	Drivaxelrör kpl	Transmission pipe		Inkl. pos 40	
40	1			23020014/0	• Drivaxel	• Drive shaft			
41	1			12608600/0	Låsring	Seegerring			
42	1			2135150	Skruv	Screw			
43	1			2312010	Bricka	Washer			
44	1			2412020	Mutter	Nut			
45	1			23056302/0	Transmissionshus	Gear case			
46	1			2123100	Skruv	Screw			
47	1			19216037/0	Kullager	Ball bearing			
48	1			3112280	Kullager	Ball bearing			
49	1			23020005/0	Åxel	Head shaft			
50	1			3614630	Övre ringmutter	Upper ring nut			
55	1			23155001/0	Skärhuvud kpl	Cutting head assy		M10x1,25 DX female	
61	1			83465001/0	Skyddskåpa kpl	Safety cover		Inkl. pos 62	
62	1			3614640	• Kniv	• Line cutter			
63	2			2312150	Bricka	Washer			
64	2			2123030	Skruv	Screw			
98	1			9959905	Skyddsglasögon	Protective goggles		Tillbehör/accessory	
99	1			1911- 9008- 04	Skärtråd (2.4 mm)	Cutting line (2.4 mm)		0.45 kg (90 m)	
99	1			1911- 9008- 08	Skärtråd (2.4 mm)	Cutting line (2.4 mm)		15 m	