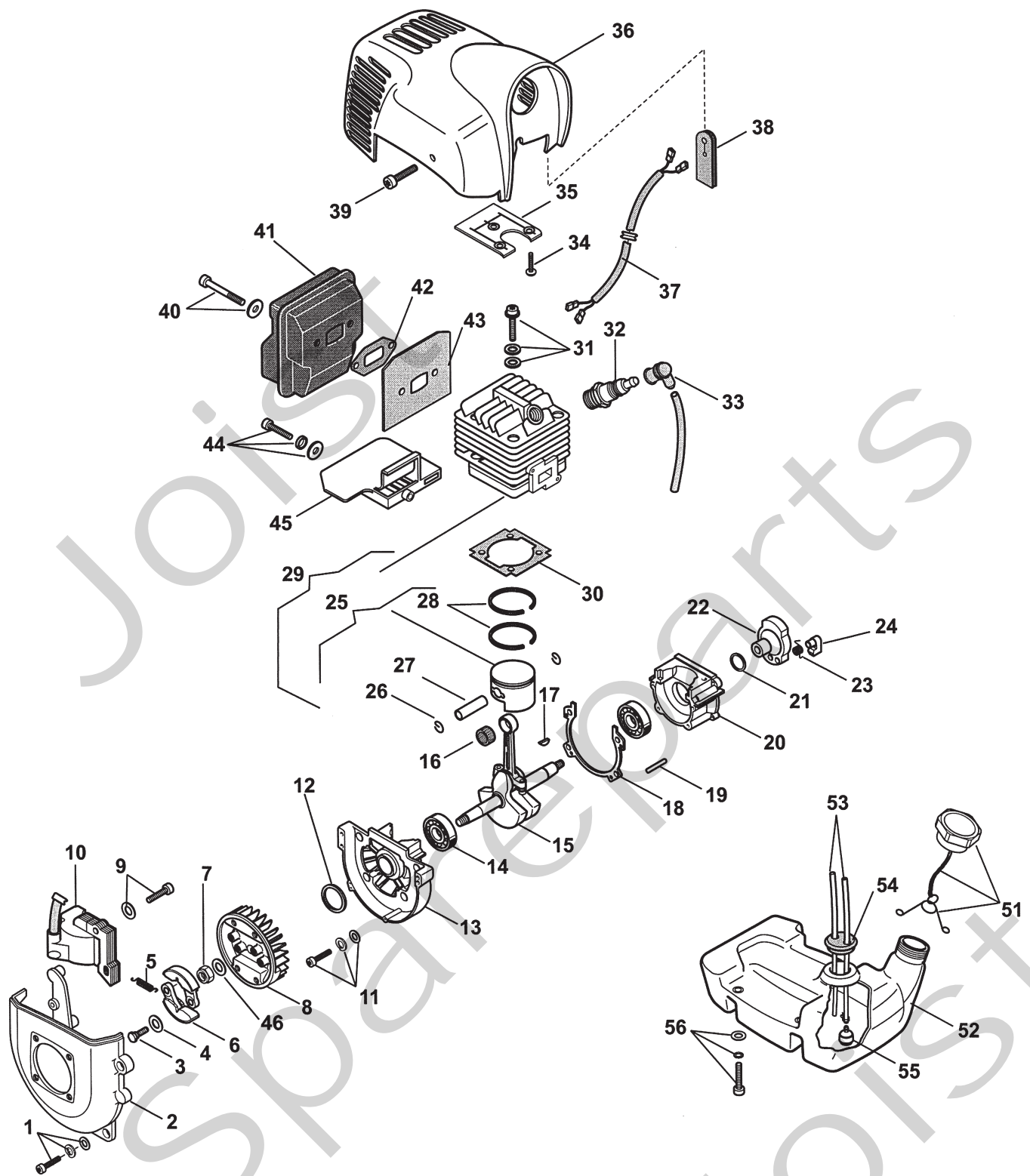


# Genuine Spare Parts

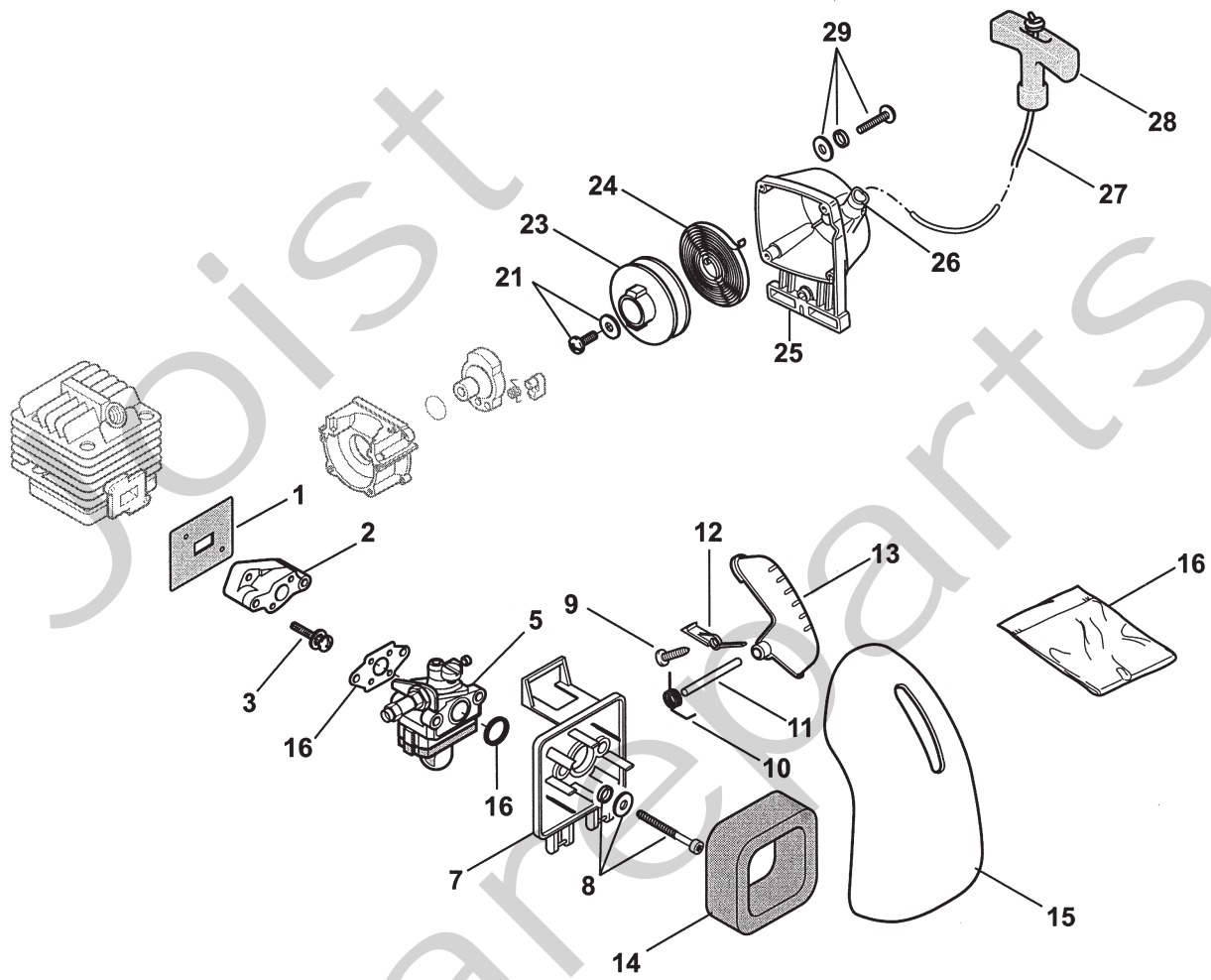
---



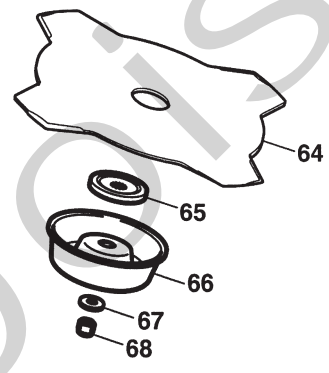
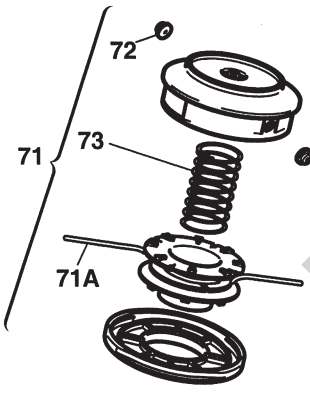
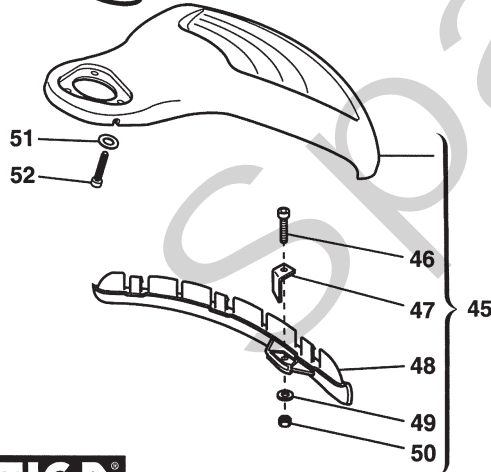
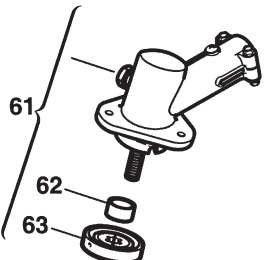
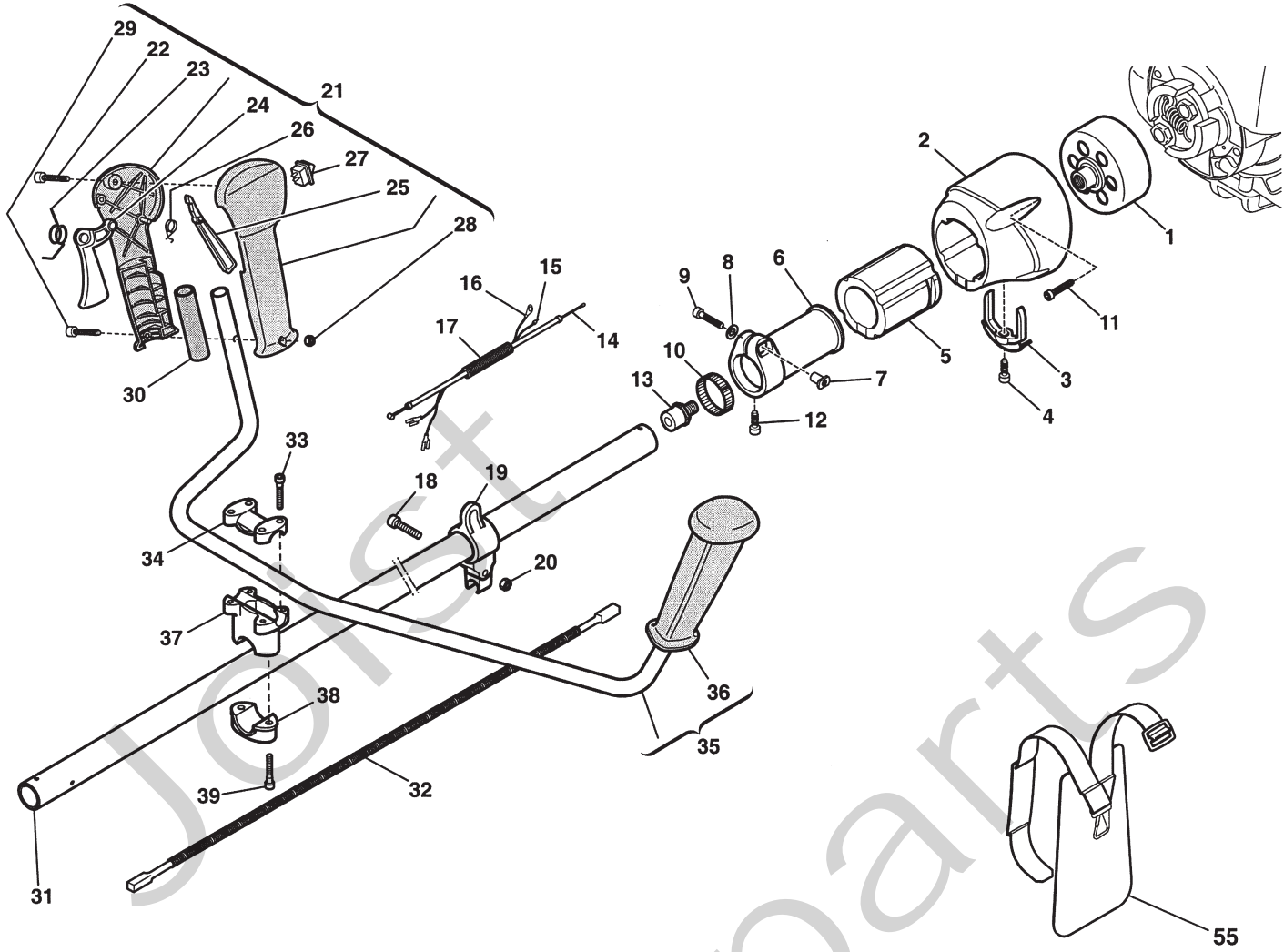
Joist  
Spareparts  
Joist



Utgåva Issue		Bildnr Picture No		ST 290- SB 27- SB 29 MT 26- MB 26 MOTOR		ST 290- SB 27- SB 29 MT 26- MB 26 ENGINE		Sida Page
2005- 12		1968						266
Pos. Fig.	Antal/Quantity			Art nr Part No	Benämning	Description	Sats Kit	Anmärkning Notes
	1029 6116 6117	MT 26 MB 26						
X	1	4	4	1911-4334-01	Skrusats.....	Screw set.....		
X	2	1	1	1911-4284-01	Stödhus.....	Transm.support case.....		
X	3	2	2	1911-4310-01	Skruv.....	Screw.....		
X	4	2	2	1911-4308-01	Bricka.....	Washer.....		
X	5	1	1	1911-4309-01	Fjäder.....	Spring.....		
X	6	2	2	1911-4307-01	Koppling.....	Clutch unit.....		
X	7	1	1	1911-4344-01	Mutter.....	Nut.....		
X	8	1	1	1911-4277-01	Svänghjul.....	Flywheel.....		
X	9	2	2	1911-4337-01	Skrusats.....	Screw set.....		
X	10	1	1	1911-4276-01	Elektronikspole.....	Electronic coil.....		
X	11	4	4	1911-4335-01	Skrusats.....	Screw set.....		
X	12	1	1	1911-4283-01	Tätningring.....	Seal ring.....		
X	13	1	1	1911-4280-01	Vevhus- främre.....	Crankcase- front.....		
X	14	2	2	1911-4324-01	Kullager.....	Ball bearing.....		
X	15	1	1	1911-4291-01	Vevaxel.....	Crankshaft.....		
X	16	1	1	1911-4292-01	Nållager.....	Needle bearing.....		
X	17	1	1	1911-4323-01	Kil.....	Key.....		
X	18	1	1	1911-4282-01	Packning.....	Gasket.....		
X	19	3	3	1911-4342-01	Centerstift.....	Centering pin.....		
X	20	1	1	1911-4281-01	Vevhus- bakre.....	Crankcase- rear.....		
X	21	1	1	1911-4283-01	Tätningring.....	Seal ring.....		
X	22	1	1	1911-4306-01	Startkopp.....	Starter cup.....		
X	23	1	1	1911-4345-01	Fjäder.....	Spring.....		
X	24	1	1	1911-4305-01	Startspärr.....	Starter hook.....		
X	25	1	1	1911-4287-01	• Kolv.....	• Piston.....		Inkl. pos 26 - 28
X	26	2	2	1911-4290-01	•• Låsring.....	•• Lock ring.....		
X	27	1	1	1911-4289-01	•• Kolvbult.....	•• Piston pin.....		
X	28	2	2	1911-4288-01	•• Kolvring.....	•• Piston ring.....		
X	29	1	1	1911-4278-01	Cylinder- kolv kpl.....	Cylinder- piston assy.....		Inkl. pos 25
X	30	1	1	1911-4279-01	Cylinderpackning.....	Cylinder gasket.....		
X	31	4	4	1911-4334-01	Skrusats.....	Screw set.....		
X	32	1	1	1911-4331-01	Tändstift.....	Spark plug.....		
X	33	1	1	1911-4298-01	Tändstiftshatt.....	Spark plug cover.....		
X	34	3	3	1911-4334-01	Skrusats.....	Screw set.....		
X	35	1	1	1911-4319-01	Skydd.....	Guard.....		
X	36	1	1	1911-4341-01	Motorkåpa- gul.....	Engine cover- yellow.....		
X	36	1	1	6981121	Motorkåpa- röd.....	Engine cover- red.....		
X	37	2	2	1911-4297-01	Kabel.....	Switch wire.....		
X	38	1	1	1911-4296-01	Kabelhållare.....	Cable retainer.....		
X	39	2	2	1911-4325-01	Skruv.....	Screw.....		
X	40	2	2	1911-4336-01	Skrusats.....	Screw set.....		
X	41	1	1	1911-4315-01	Ljuddämpare.....	Muffler.....		
X	42	1	1	1911-4317-01	Packning.....	Gasket.....		
X	43	1	1	1911-4316-01	Ljuddämparskydd.....	Muffler shield.....		
X	44	1	1	1911-4337-01	Skrusats.....	Screw set.....		
X	45	1	1	1911-4318-01	Skydd.....	Guard.....		
X	46	1	1	1911-4343-01	Bricka.....	Washer.....		
X	51	1	1	1911-4312-01	Tanklock.....	Tank cap.....		
X	52	1	1	1911-4311-01	Bränsletank kpl.....	Fuel tank assy.....		
X	53	2	2	1911-4313-01	Bränsleslang.....	Fuel hose.....		
X	54	1	1	1911-4314-01	Gummihylsa.....	Grommet.....		
X	55	1	1	1911-4254-01	Bränslefilter.....	Intake filter.....		
X	56	4	4	1911-4327-01	Skrusats.....	Screw set.....		



Utgåva Issue		Bildnr Picture No		ST 290- SB 27- SB 29 MT 26- MB 26 FÖRGASARE		ST 290- SB 27- SB 29 MT 26- MB 26 CARBURETTOR		Sida Page	
2005- 12		1969						268	
Pos. Fig.	Antal/Quantity			Art nr Part No	Benämning	Description	Sats Kit	Anmärkning Notes	
	1029 6116 6117	MT 26 MB 26							
X	1	1	1	1911-4286-01	Packning.....	Gasket.....		WYJ-393	
X	2	1	1	1911-4285-01	Insugningsrör.....	Intake manifold.....			
X	3	2	2	1911-4333-01	Skruvsats.....	Screw set.....			
X	5	1	1	1911-4122-01	Förgasare kpl.....	Carburettor assy.....			
X	7	1	1	1911-4294-01	Lufffilterhållare.....	Air filter holder.....			
X	8	2	2	1911-4330-01	Skruvsats.....	Screw set.....			
X	9	2	2	1911-4110-01	Skruv.....	Screw.....			
X	10	1	1	1911-4320-01	Fjäder.....	Spring.....			
X	11	1	1	1911-4321-01	Stift.....	Pin.....			
X	12	1	1	1911-4322-01	Hållare.....	Retainer.....			
X	13	1	1	1911-4332-01	Tryckknapp.....	Button.....			
X	14	1	1	1911-4295-01	Lufffilter.....	Air filter.....			
X	15	1	1	1911-4340-01	Filterlock-gul.....	Filter cover-yellow.....			
X	15	1	1	6981119	Filterlock-röd.....	Filter cover-red.....			
X	16	1	1	1911-4293-01	Packning-membransats.....	Gasket-diaphragm kit.....			
X	21	1	1	1911-4326-01	Skruvsats.....	Screw set.....			
X	23	1	1	1911-4301-01	Linhjul.....	Starter pulley.....			
X	24	1	1	1911-4300-01	Returfjäder.....	Rewind spring.....			
X	25	1	1	1911-4299-01	Starthus.....	Starter recoil case.....			
X	26	1	1	1911-4303-01	Linguide.....	Rope guide.....			
X	27	1	1	1911-4304-01	Startsnöre.....	Starter cord.....			
X	28	1	1	1911-4302-01	Starthandtag.....	Starter handle.....			
X	29	4	4	1911-4337-01	Skruvsats.....	Screw set.....			



Utgåva Issue 2005- 12		Bildnr Picture No 1967		SB 29 RÖJARE RIGG		SB 29 BRUSH CUTTER DRIVE SHAFT		Sida Page 264	
Pos. Fig.	Antal/Quantity			Art nr Part No	Benämning	Description	Sats Kit	Anmärkning Notes	
	6117								
X	1	1		1911-4206-01	Kopplingstrumma .....	Clutch drum .....			
X	2	1		1911-4189-01	Transmissionsstöd .....	Transmission support .....			
X	3	1		1911-4154-01	Gaffel .....	Fork .....			
	4	1		1911-3002-01	Skruv .....	Screw .....			
X	5	1		1911-4155-01	Hylsa .....	Grommet .....			
X	6	1		1911-4188-01	Stöd .....	Support .....			
X	7	1		1911-4245-01	Bussning .....	Bushing .....			
	8	1		1911-3267-01	Bricka .....	Washer .....			
	9	1		1911-3007-01	Skruv .....	Screw .....			
X	10	1		1911-4236-01	Reducering .....	Reduction .....			
	11	4		1911-3012-01	Skruv .....	Screw .....			
	12	1		1911-3025-01	Skruv .....	Screw .....			
X	13	1		1911-4176-01	Lagernav .....	Bearing hub .....			
	14	1		1911-3720-01	Gaswire .....	Throttle wire .....			
X	15	1		1911-4128-01	Kabel .....	Coil- switch cable .....			
X	16	1		1911-4133-01	Jordkabel .....	Earth cable .....			
	17	1		1911-3704-01	Wirehölje .....	Wire sheath .....			
	18	1		1911-3007-01	Skruv .....	Screw .....			
X	19	1		1911-4187-01	Fäste- sele .....	Harness support .....			
	20	1		1911-3278-01	Mutter .....	Nut .....			
	21	1		1911-3203-01	Handtag kpl .....	Handle assy .....		Inkl. pos 22 - 29	
	22	1		1911-3001-01	• Skruv .....	• Screw .....			
	23	1		1911-3089-01	• Fjäder .....	• Spring .....			
	24	1		1911-3108-01	• Gasreglage .....	• Throttle lever .....			
	25	1		1911-3109-01	• Säkerhetsspärr .....	• Safety lever .....			
	26	1		1911-3090-01	• Fjäder .....	• Spring .....			
	27	1		1911-3053-01	• Stoppkontakt .....	• Stop switch .....			
	28	1		9747-0531-02	• Mutter .....	• Nut .....			
	29	1		1911-3008-01	• Skruv .....	• Screw .....			
X	30	1		1911-4181-01	Reduktion .....	Reduction .....			
X	31	1		1911-4223-01	Transmissionsrör .....	Transmission tube .....			
X	32	1		1911-4118-01	Transmissionsaxel .....	Transmission shaft .....			
	33	4		1911-3009-01	Skruv .....	Screw .....			
X	34	1		1911-4203-01	Styrfäste- övre .....	Handle support- upper .....			
X	35	1		1911-4214-01	Styre kpl .....	Handle assy .....		Inkl. pos 36	
X	36	1		1911-4172-01	• Handtag- vä .....	• Grip- LH .....			
X	37	1		1911-4202-01	Styrfäste- mitten .....	Handle support- middle .....			
X	38	1		1911-4257-01	Styrfäste- undre .....	Handle support- lower .....			
	39	2		1911-3008-01	Skruv .....	Screw .....			
X	45	1		1911-4217-01	Skyddskåpa kpl .....	Safety cover .....		Inkl. pos 46 - 50	
	46	1		1911-3006-01	• Skruv .....	• Screw .....			
	47	1		1911-3077-01	• Kniv .....	• Line cutter .....			
X	48	1		1911-4180-01	• Skydd .....	• Protection .....			
	49	1		1911-3216-01	• Bricka .....	• Washer .....			
	50	1		1911-3022-01	• Mutter .....	• Nut .....			
	51	3		1911-3216-01	Bricka .....	Washer .....			
	52	3		1911-3013-01	Skruv .....	Screw .....			
	55	1		1911-3724-01	Sele .....	Harness .....			
X	61	1		1911-4193-01	Snäckväxel kpl .....	Gear case .....		Inkl. pos 62 - 63	
X	62	1		1911-4266-01	• Hylsa .....	• Collar .....			
X	63	1		1911-4267-01	• Ringmutter- övre .....	• Ring nut- upper .....			
	64	1		1911-3179-01	Röjklina .....	Clearing blade .....		4T - Ø 255 mm	
	65	1		1911-3680-01	Ringmutter- nedre .....	Ring nut- lower .....			
X	66	1		1911-4242-01	Stabilisator .....	Stabilizer .....			
X	67	1		1911-4228-01	Bricka .....	Washer .....			
X	68	1		1911-4232-01	Mutter .....	Nut .....			
X	71	1		1911-4148-01	Skärhuvud kpl .....	Nylon head assy .....		Inkl. pos 72 - 73	
	71 A	1		1911-9008-04	Skärtråd (2.4 mm) .....	Cutting line (2.4 mm) .....		0.45 kg (90 m)	
	71 A	1		1911-9008-08	Skärtråd (2.4 mm) .....	Cutting line (2.4 mm) .....		15 m	
	72	2		1911-3875-01	• Trådhylsa .....	• Line inlet .....			
	73	1		1911-3876-01	• Fjäder .....	• Spring .....			
	99	1		1911-3212-01	Skyddsglasögon .....	Protective goggles .....		Ej ill/not ill.	