

STIGA

Reservdelskatalog Parts Catalogue

COMBI 55 SQ

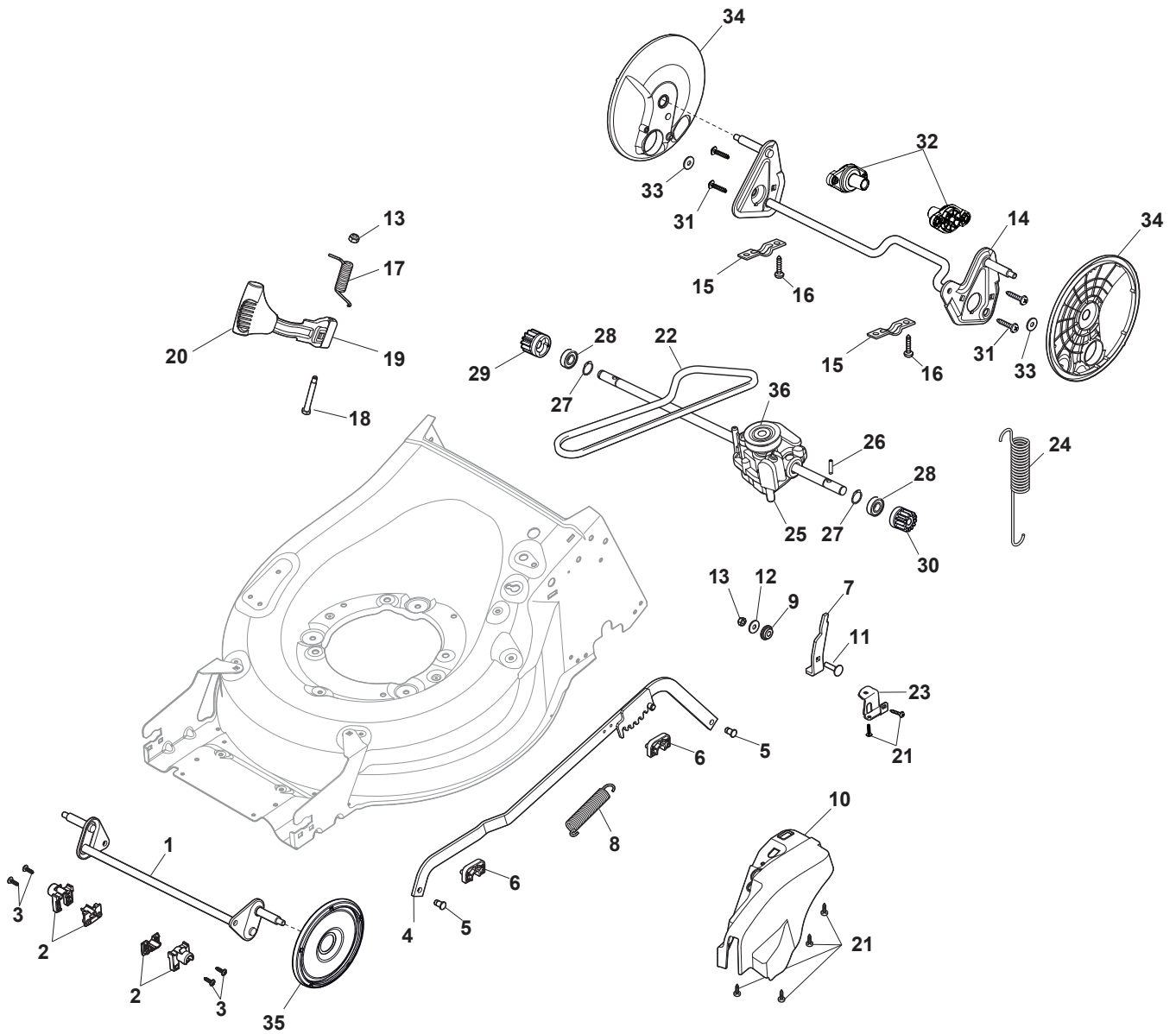
294556848/S17 - Season 2017

- Use GLOBAL GARDEN PRODUCT Genuine Spare Parts specified in the parts list for repair and/or replacement.
 - The contents described in the parts list may change due to improvement.
 - The drawings of the spare parts are only indicative and might not represent the part in question exactly.
 - The indications "right" - "left" - "front" - "rear" refer to the position of the operator when using the machine.
- When placing orders of parts for repair and/or replacement, make sure that the illustrated parts list is the one applying to the machine's year of manufacture, as shown on the identification plate attached to the machine.

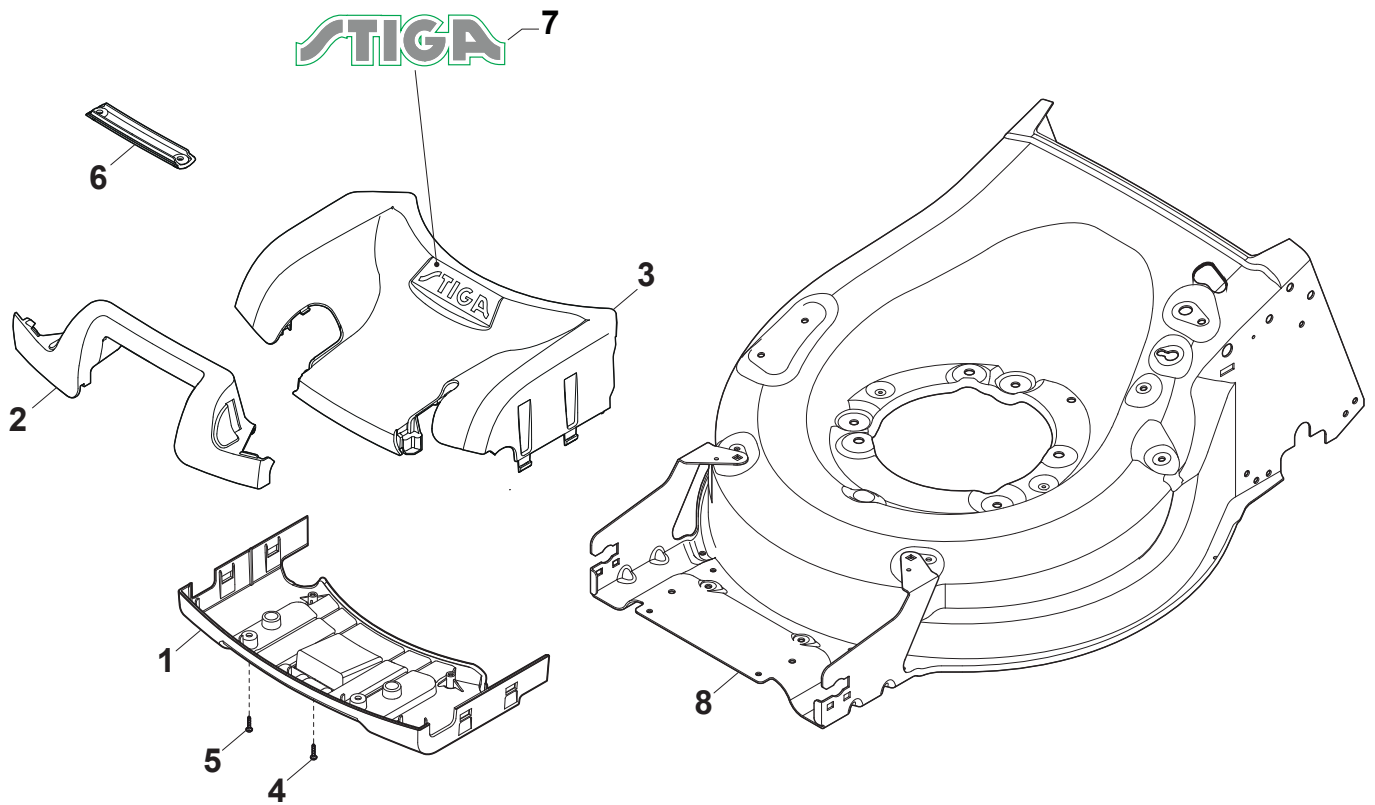
© Copyright 2017 Global Garden Products

All rights reserved. No part of this material may be reproduced or transmitted, in any form or by any means, electronic or mechanical, including photocopying, recording or by any information storage and retrieval system, without permission in writing from GLOBAL GARDEN PRODUCTS.

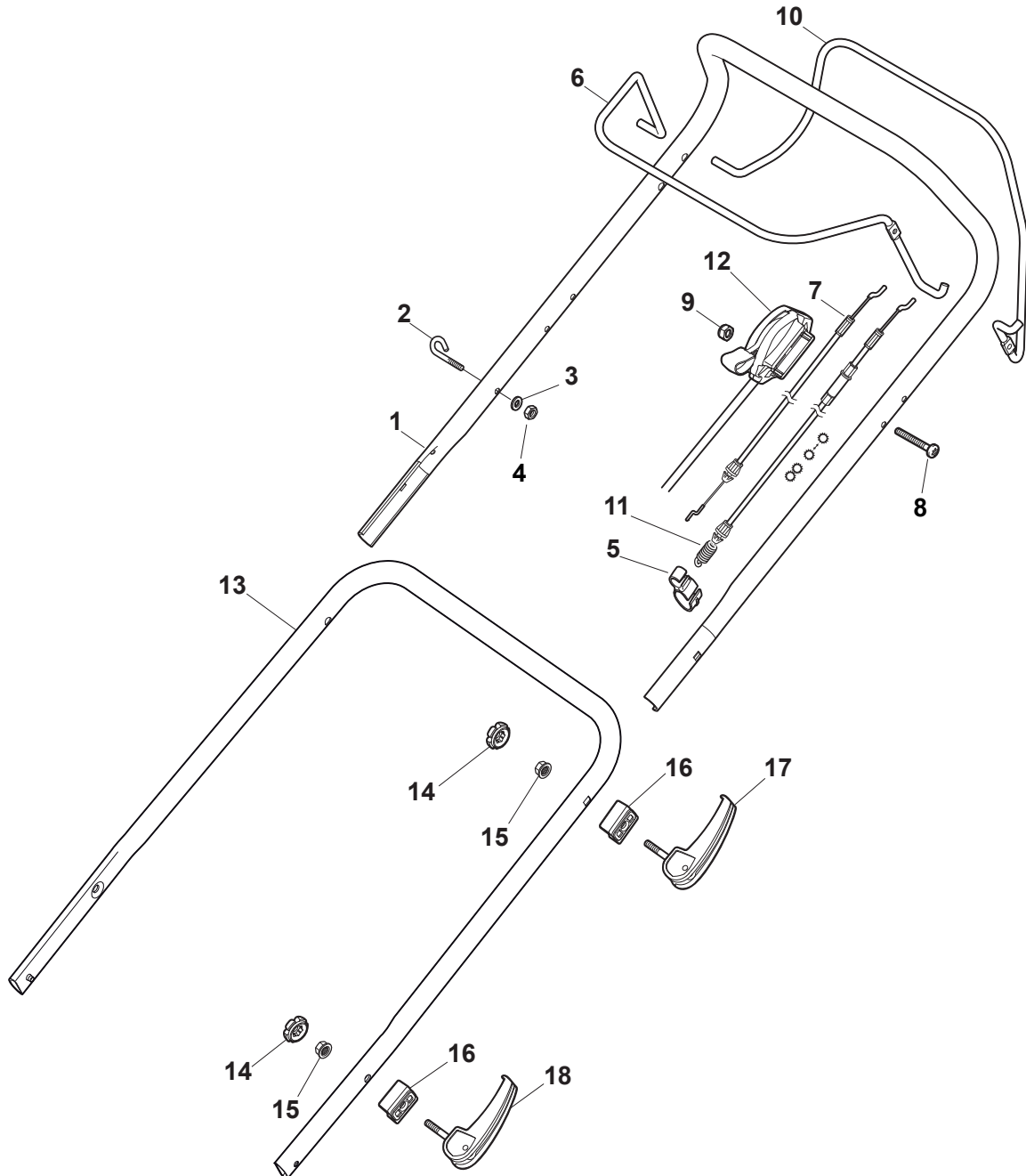
www.stiga.com



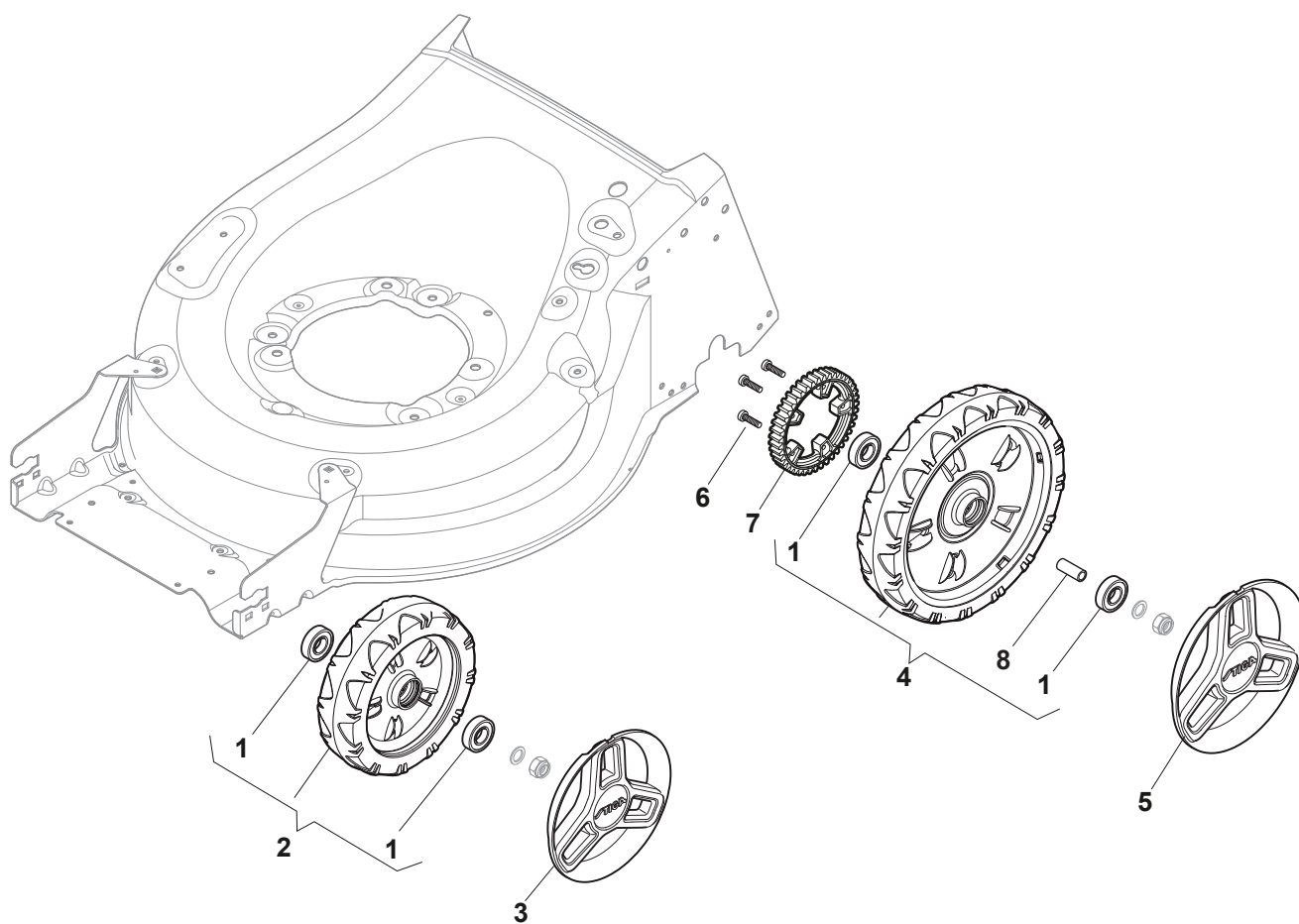
Utgåva Issue 38 - 2016		Kapa och höjdställning		Deck And Height Adjusting	
Pos. Fig.	Antal Q.ty	Art nr Part No	Benämning	Description	Anmärkning Notes
1	1	381302915/0	Hjulaxel-fram	Front Wheel Axle	
2	2	322785305/1	Stöd	Support	
3	4	112728697/0	Skruv	Screw	
4	1	322869693/1	Höjdställningsspak	Wheels Control Rod	
5	2	122519823/0	Stift	Pin	
6	2	112436051/0	Plat	Plate	
7	1	322778475/0	Fäste	Bracket	
8	1	122450480/0	Fjäder	Spring	
9	1	122517873/0	Stift	Pin	
10	1	322055330/0	Lock	Cover	
11	1	112815270/0	Skruv	Screw	
12	1	112523040/0	Bricka	Washer	
13	2	112154510/0	Mutter	Nut	
14	1	381302887/0	Hjulaxel-bakre	Rear Wheel Axle	
15	2	322545152/0	Plat	Plate	
16	4	112728698/0	Skruv	Screw	
17	1	122446192/0	Fjäder	Spring	
18	1	122534131/0	Stift	Pin	
19	1	381003399/0	Höjdställningsspak	Lever, Height Adjustment	
20	1	322394527/0	Knopp	Knob	Black with Stiga Logo
21	5	112728699/0	Skruv	Screw	
22	1	135064100/0	Drivrem	Belt	
23	1	322778473/0	Fäste	Bracket	
24	1	122450478/0	Fjäder	Spring	
25	1	181003115/0	Växellada kpl	Gear Box	
26	2	122753000/0	Spännstift	Pin	
27	4	112608600/0	Segersäkring	Seeger	
28	2	119216035/0	Lager	Bearing	
29	1	122570133/0	Drev	Right Pinion	
30	2	122570134/0	Drev	Left Pinion	
31	4	112728697/0	Skruv	Screw	
32	2	322042063/1	Bussning	Bushing	
33	2	112521371/0	Bricka	Washer	
34	2	322600208/0	Hjulskydd	Protection, Wheel	
35	2	322600145/0	Hjulskydd	Protection, Wheel	
36	1	122601909/0	Remskiva	Pulley	



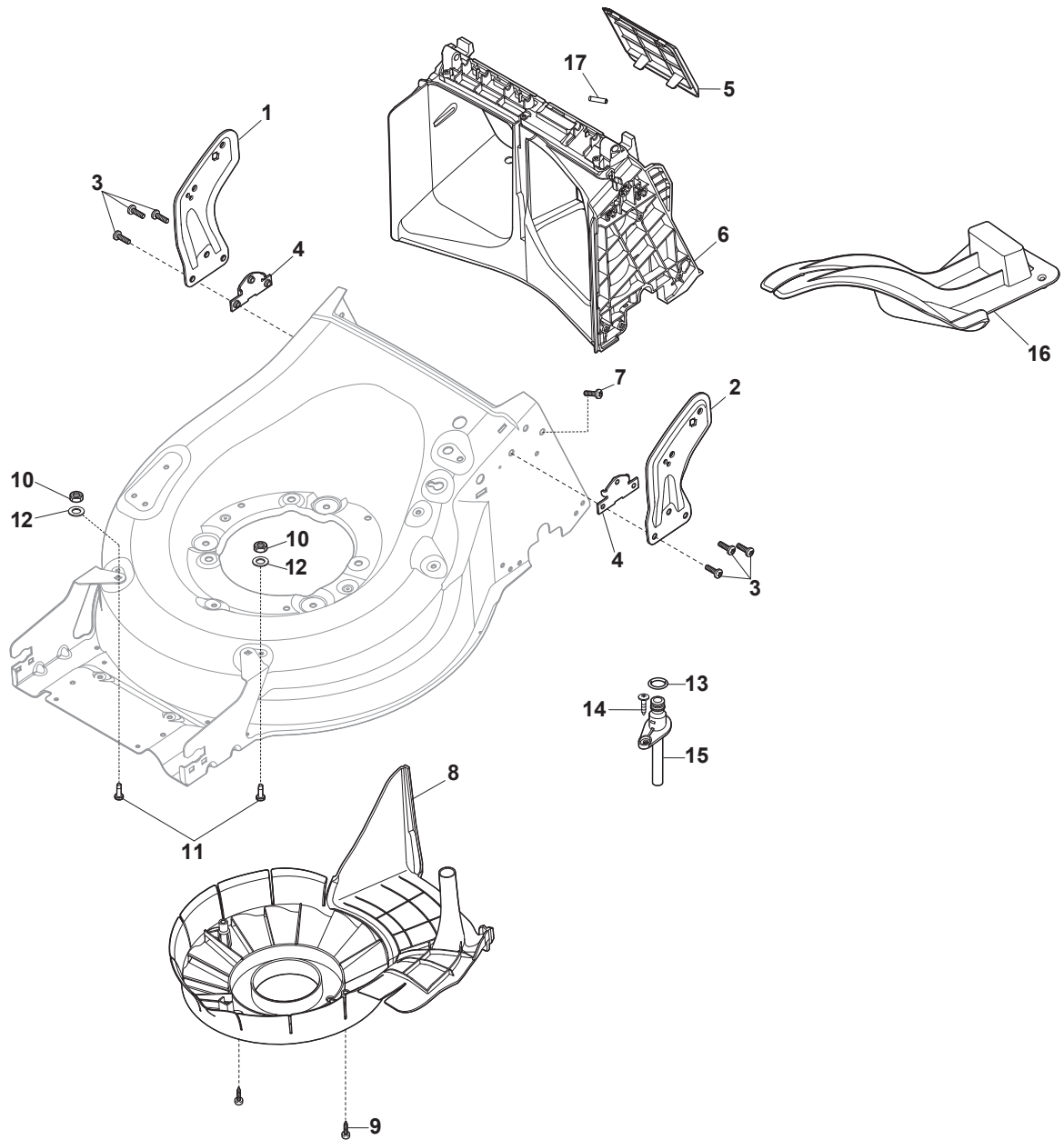
Utgåva Issue 38 - 2016		Mask			
Pos. Fig.	Antal Q.ty	Art nr Part No	Benämning	Description	Anmärkning Notes
1	1	322500113/0	Luftintag	Front Combi	
2	1	381393704/0	Handtag	Handle	
3	1	322226241/0	Frontkapa, Gra	Mask, Grey	
4	2	112735654/0	Skruv	Screw	
5	2	112728697/0	Skruv	Screw	
6	1	322393756/0	Handtag-Främre	Front Handle	
7	1	114367494/2	Dekal STIGA logo	Label STIGA logo	
8	1	381004837/0	Chassi-Grå	Grey Deck	Side Discharge



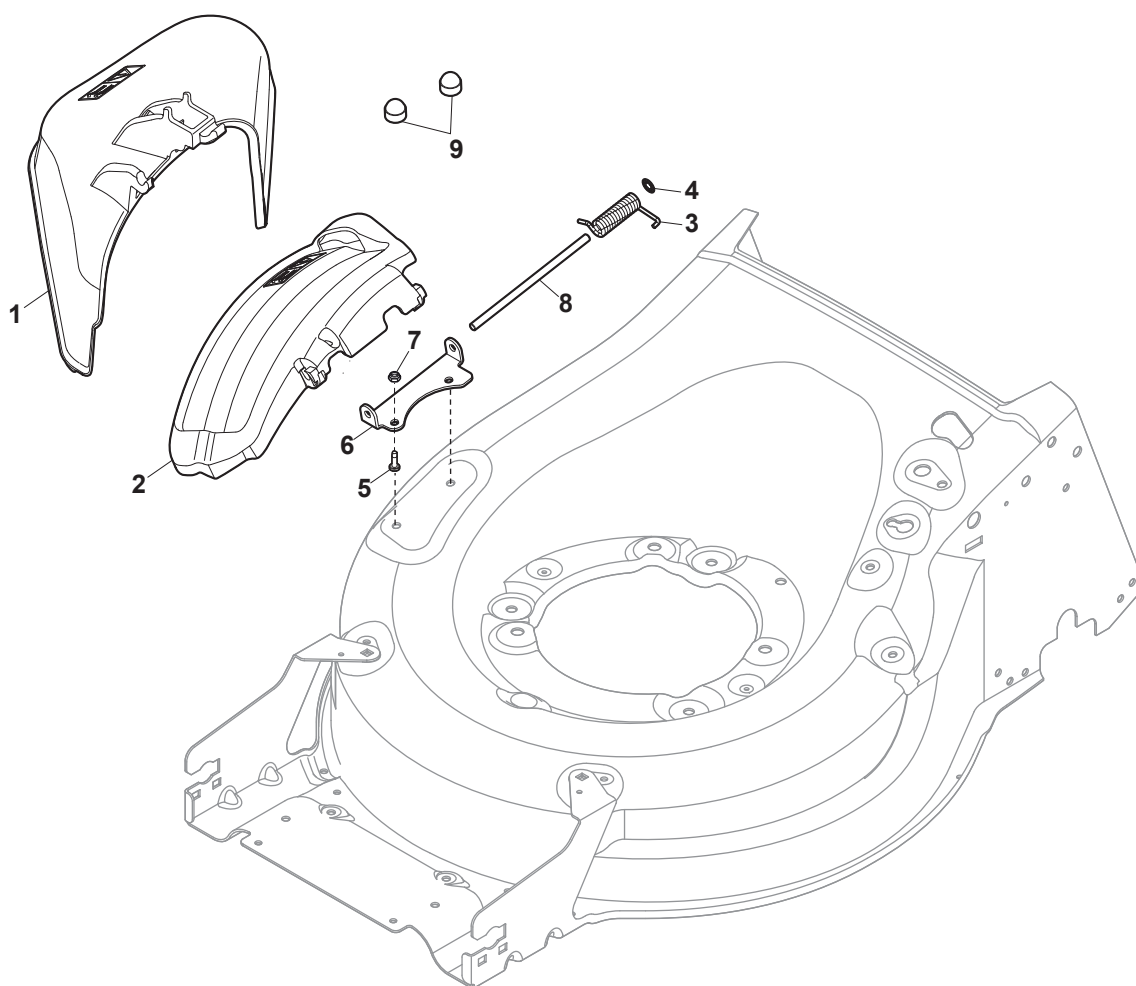
Utgåva Issue 38 - 2016		Reglage, övre Handle, Upper Part			
Pos. Fig.	Antal Q.ty	Art nr Part No	Benämning	Description	Anmärkning Notes
1	1	381006753/0	Handtag, överdel gul	Handle, Upper Part Yellow	Yellow without Sponge
1	1	381006754/0	Handtag, överdel gul	Handle, Upper Part Yellow	Yellow with Sponge
2	1	122430313/0	Fjäder	Guide Spring	
3	1	112521330/0	Bricka	Washer	
4	1	112154510/0	Mutter	Nut	
5	1	118390020/0	Vajerhallare	Conduit Clip	
6	1	181003363/1	Reglagebygel	Lever, Engine Brake Black	Black
7	1	181030057/0	Motorbromswire	Cable, Thread Engine Brake	For B&S 675-750 Engine and WBE0702 Engine
8	1	112727788/0	Skruv	Screw	
9	1	112154510/0	Mutter	Nut	
10	1	181003364/0	Spak Handtag	Drive Control Lever	Black
11	1	381030104/0	Kopplingswire	Clutch Cable	
12	1	181005539/0	Gasreglage	Throttle Cable	
13	1	381007600/0	Styre-underdel	Lower handle	Yellow
14	4	322399835/0	Handtagsknopp	Knob	
15	4	122131750/0	Mutter	Nut	
16	4	322680016/0	Bricka	Washer	
17	2	381103350/0	Låshandtag	Locking Handle Lever	Black
18	2	381003253/0	Låshandtag	Locking Handle Lever	Black



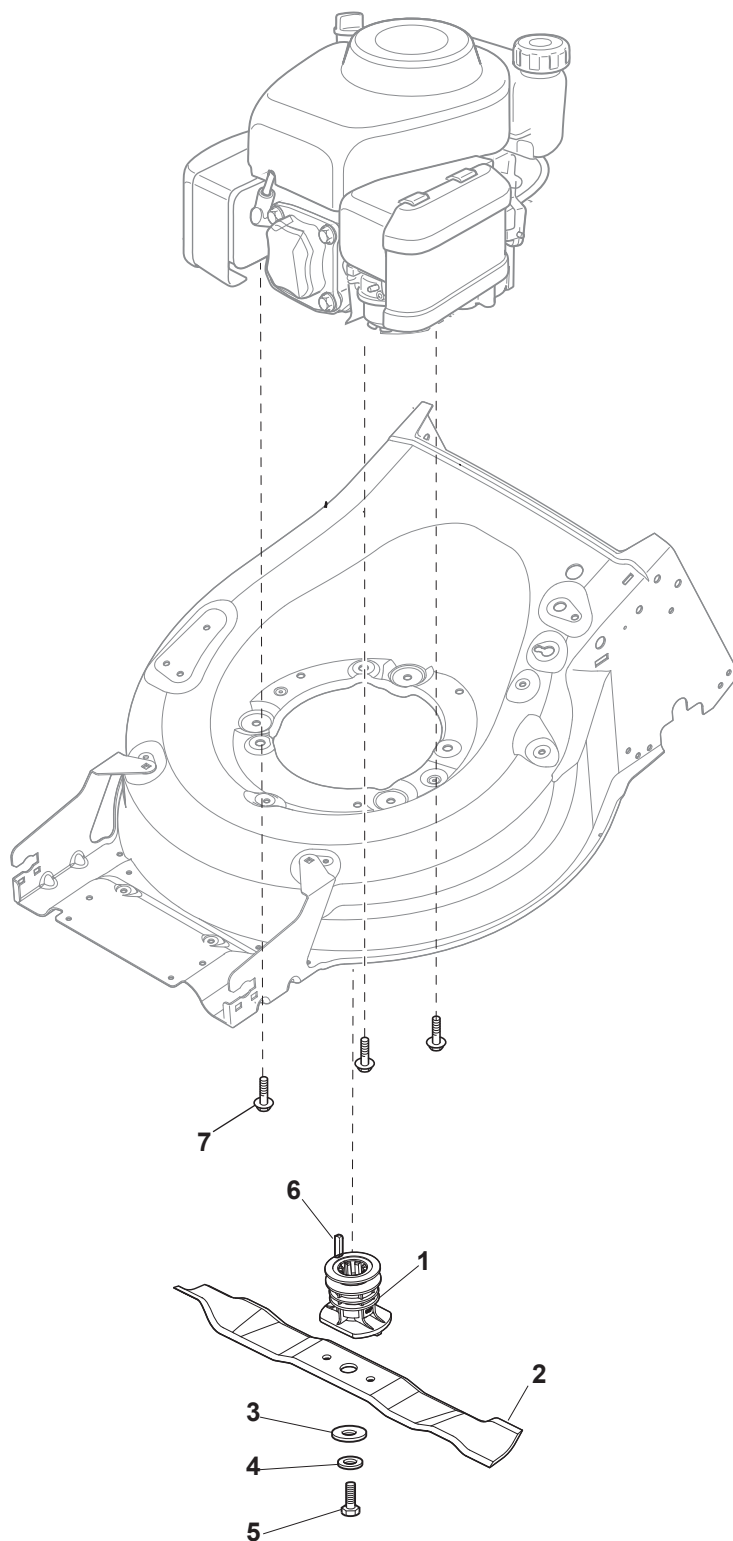
Utgåva Issue 38 - 2016		Hjul och navkapsel Wheels and Hub Caps			
Pos. Fig.	Antal Q.ty	Art nr Part No	Benämning	Description	Anmärkning Notes
1	8	119216035/0	Lager	Bearing	
2	4	381007416/2	Hjul	Wheel	
3	2	322110744/0	Navkapsel Gra	Hub Cap Grey	
4	2	381007417/2	Hjul	Wheel	
5	2	322110746/0	Navkapsel Gra	Hub Cap Grey	
6	6	112728706/0	Skruv	Screw	
7	2	322120115/0	Drev	Wheels Crown	
8	2	122170845/0	Distans	Spacer	



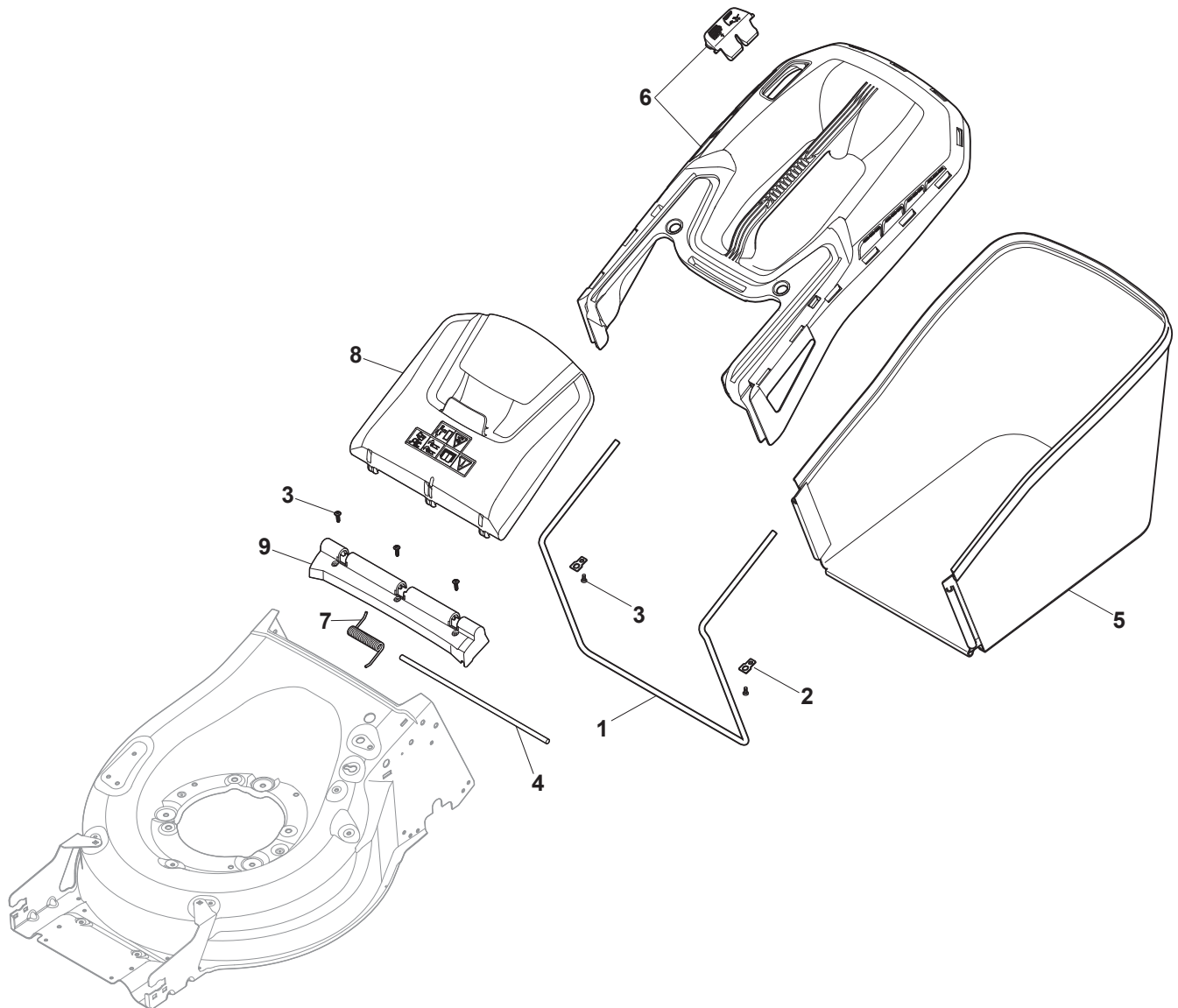
Utgåva Issue 38 - 2016		Remskydd Protection, Belt			
Pos. Fig.	Antal Q.ty	Art nr Part No	Benämning	Description	Anmärkning Notes
1	1	381005235/0	Fäste-Hö	Bracket-Rh	Grey
2	1	381005237/0	Fäste-Vä	Bracket-Lh	Grey
3	6	112727801/0	Skruv	Screw	
4	2	322545213/0	Plat	Plate	
5	1	322600310/0	Rear door	Rear door	Not for TR/E models
6	1	322108316/0	Conveyor	Conveyor	
7	6	112728699/0	Skruv	Screw	
8	1	322060271/1	Mulchingplugg	Carter Mulching	
9	2	112735645/0	Skruv	Screw	
10	2	112154510/0	Mutter	Nut	
11	2	112815205/0	Skruv	Screw	
12	2	112521330/0	Bricka	Washer	
13	1	119035000/0	O-Ring	Or Ring	
14	1	112728697/0	Skruv	Screw	
15	1	322034002/0	Tvättanslutning Nt (Svart)	Washing Connection	
16	1	322140246/0	Deflektor	Deflector	
17	1	112645708/0	Stift	Pin	



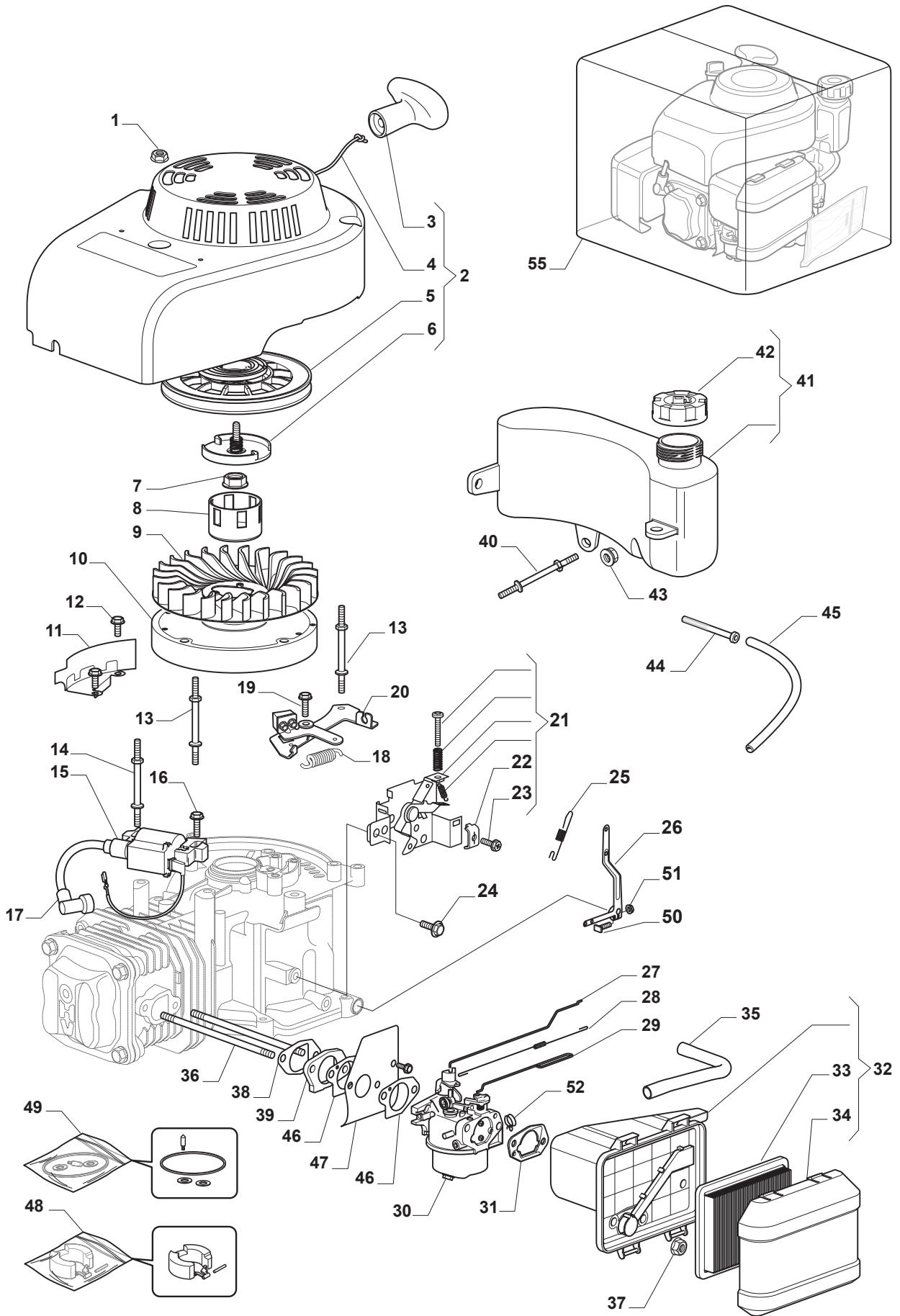
Utgåva Issue 38 - 2016		Utkastskydd Ejection-Guard			
Pos. Fig.	Antal Q.ty	Art nr Part No	Benämning	Description	Anmärkning Notes
1	1	322108315/0	Conveyor	Conveyor	
2	1	322600309/0	Lucka - svart	Stone Guard, Black	
3	1	122450456/0	Fjäder	Spring	
4	2	112604896/0	Starlock	Crown Fastener	
5	2	112727803/0	Skruv	Screw	
6	1	322806639/0	Fäste	Fulcrum Pin	
7	2	112154510/0	Mutter	Nut	
8	1	122517869/1	Stift	Pin	
9	2	118203853/0	Lock	Cap	



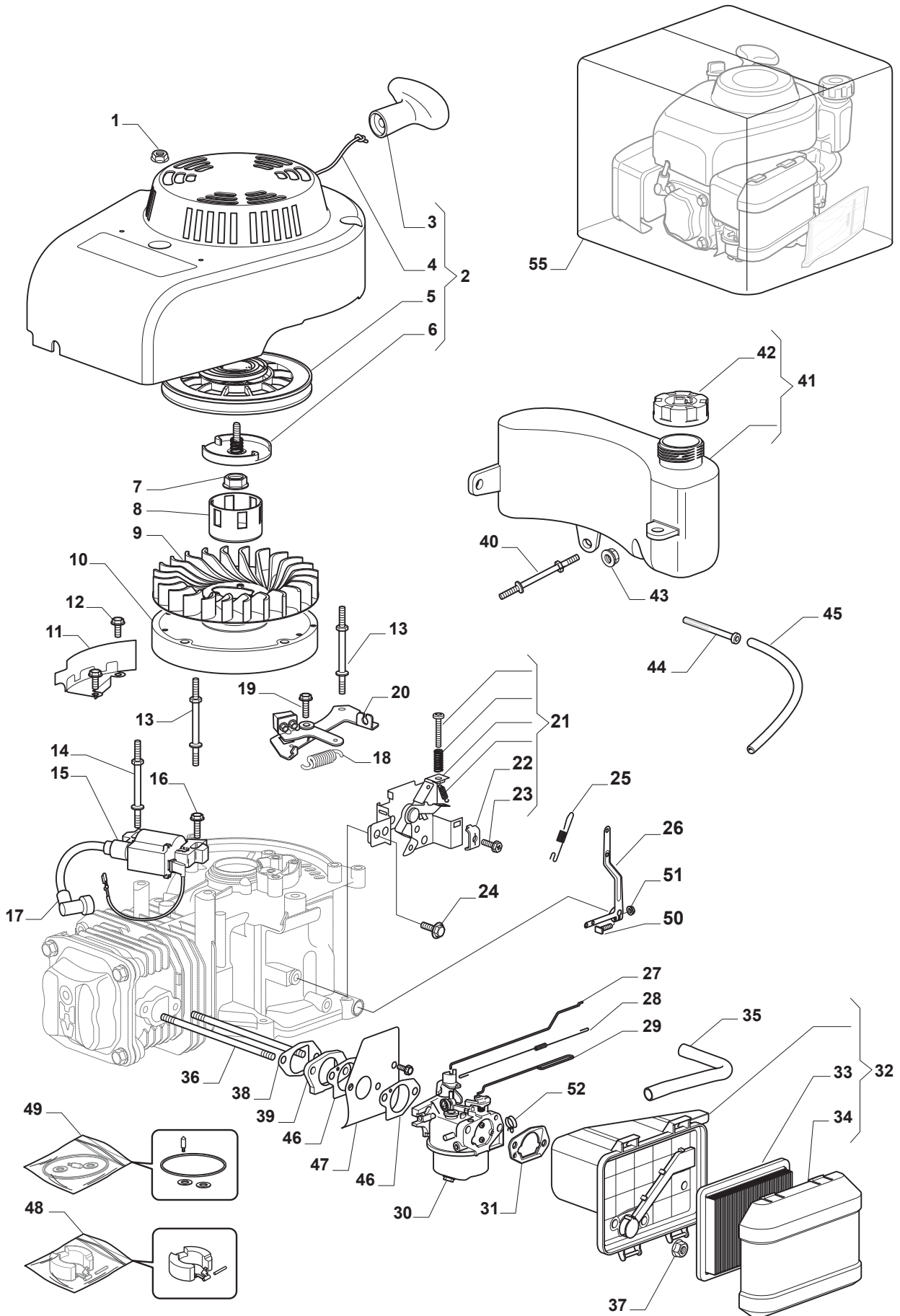
Utgåva Issue 38 - 2016		Kniv Blade			
Pos. Fig.	Antal Q.ty	Art nr Part No	Benämning	Description	Anmärkning Notes
1	1	122465607/3	Knivfäste D22,2	Hub With Pulley, Crankshaft Ø 22.2	for GGP and B&S Engines
2	1	181004409/0	Mulcherkniv	Mulching Blade	
3	1	112508125/0	Bricka	Elastic Washer	
4	1	112523080/0	Bricka	Washer	
5	1	112735698/0	Skruv	Screw	for GGP-B&S-HONDA Engines
6	1	112139100/0	Kil	Key	for GGP and B&S Engines
7	3	112735108/1	Skruv	Screw	for GGP-B&S-HONDA Engines



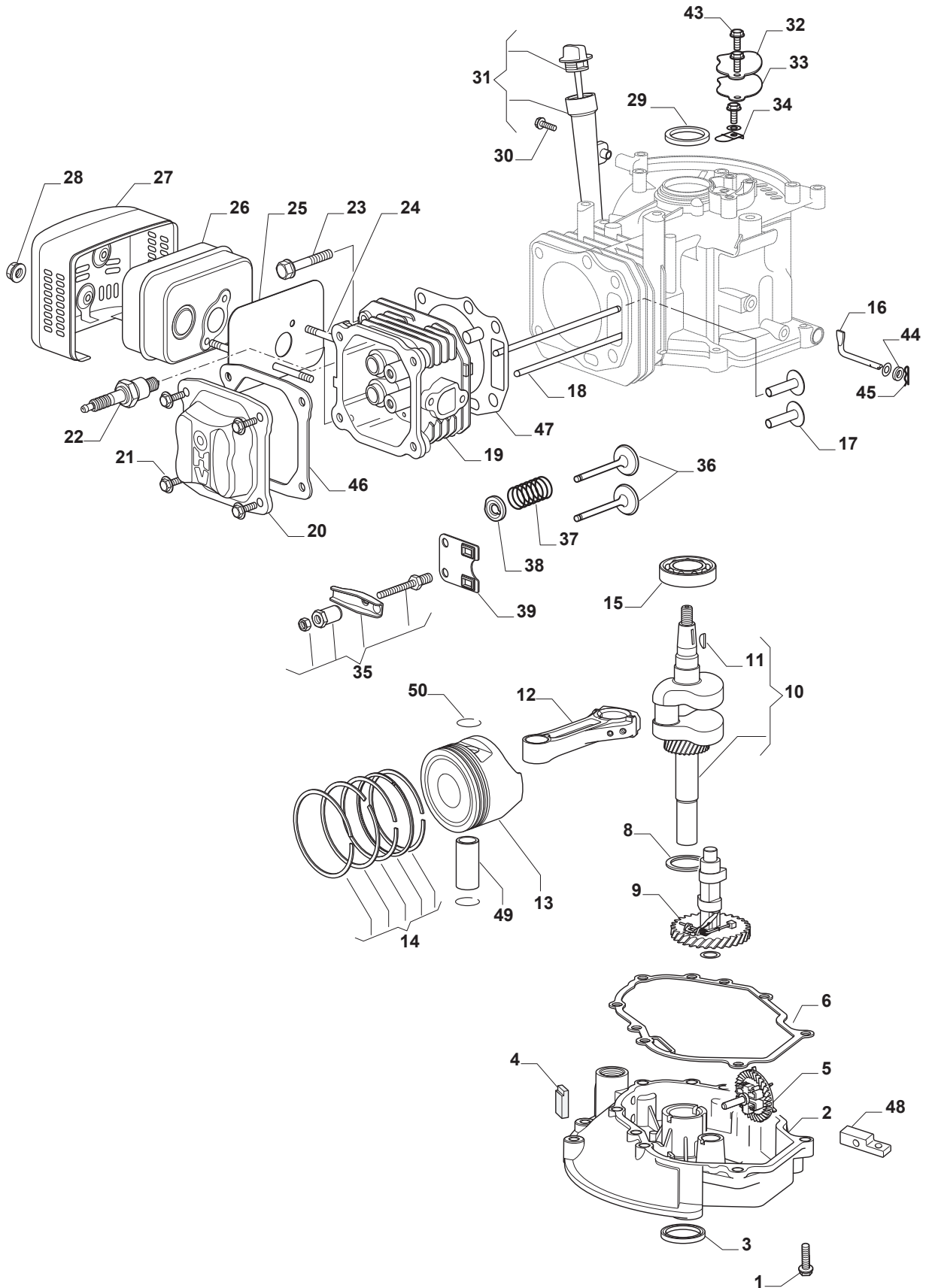
Utgåva Issue 38 - 2016		Gräsuppsamlare Grass-Catcher			
Pos. Fig.	Antal Q.ty	Art nr Part No	Benämning	Description	Anmärkning Notes
1	1	181006411/0	Säckram	Fabric Box Frame	
2	2	322557177/0	Plat	Plate	
3	5	112728697/0	Skruv	Screw	
4	1	122517884/0	Stift	Pin	
5	1	181102349/0	Uppsamlingsbox	Cancas GrassCatcher	
6	1	381486039/0	Uppsamlare, övre	Box, Upper Side	with indicator
7	1	122450479/0	Fjäder	Spring	
8	1	322600339/0	Lucka - gul	Stone Guard, Yellow	
9	1	322109569/0	Stenskydd Supp. Svart	Black Stone Guard Support	



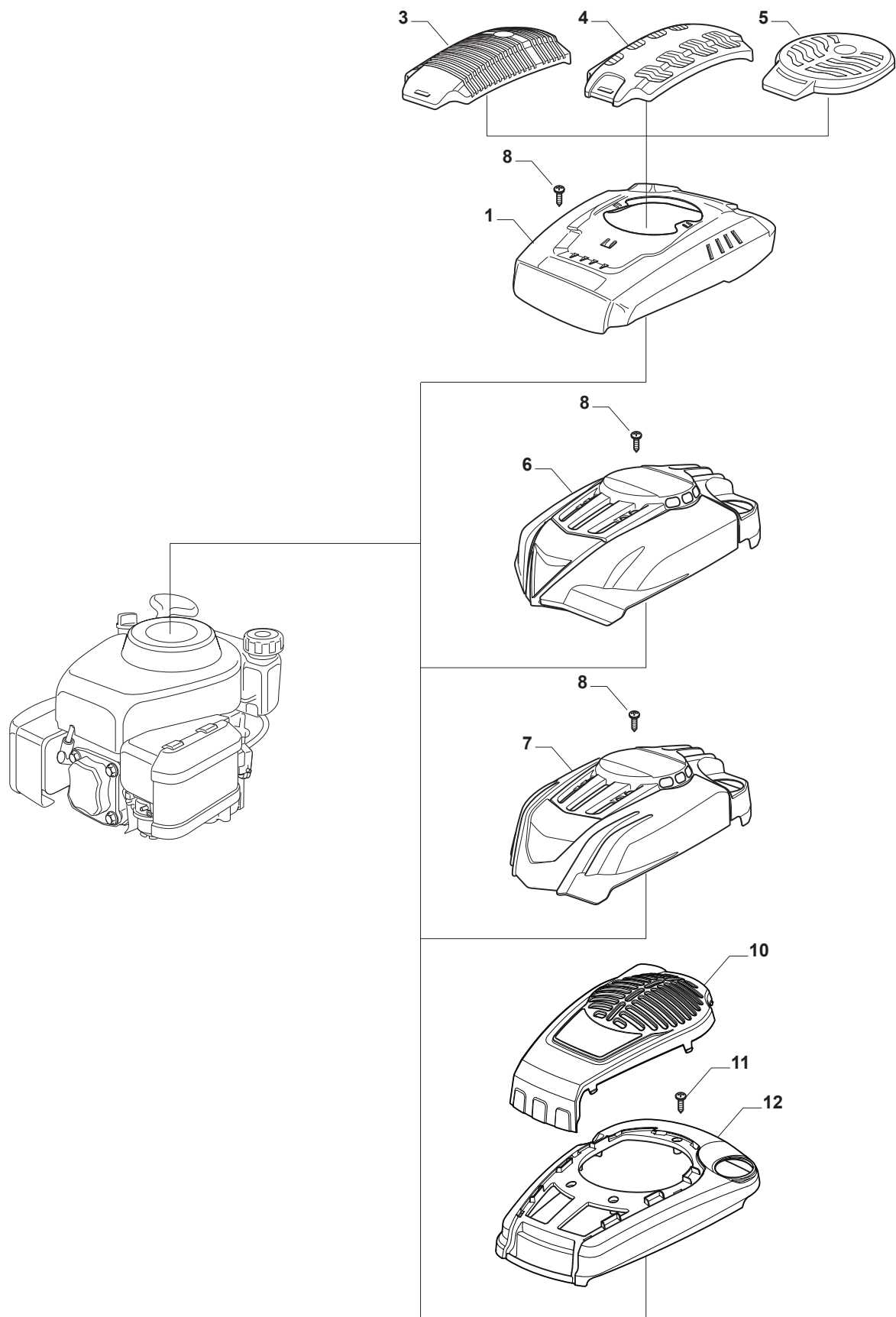
Utgåva Issue 38 - 2016		Motor - Förgasare Kpl, Bränsletank		Engine - Carburettor, Tank	
Pos. Fig.	Antal Q.ty	Art nr Part No	Benämning	Description	Anmärkning Notes
1	3	112292102/0	Mutter	Nut	
2	1	118550276/1	Start kpl	Starter Assy	
3	1	118550274/0	Starthandtag	Starter Handle	
4	1	118550779/0	Startsnöre	Starting Rope	
5	1	118550778/0	Remskiva, start kpl	Starter Pulley	
6	1	118550275/0	Startspärr	Starter Pawl Set	
7	1	118550336/0	Mutter	Nut	
8	1	118550335/0	Startkopp	Starter Cup	
9	1	118550254/0	Fläkt	Flywheel Fan	
10	1	118550253/0	Svänghjul kpl	Flywheel Ass.Y	
11	1	118550774/0	Skydd	Guard	
12	2	112791213/1	Skruv	Screw	
13	2	118550907/0	Stift	Pin	
14	1	118550301/0	Harnalssprintbult	Stud Bolt	
15	1	118550255/1	Elektronikspole	Electronic Coil	
16	1	112791500/0	Skruv	Screw	
17	1	118551274/0	Tändstiftshatt	Spark Plug Cap	
18	1	118551288/0	Fjäder	Tension Spring	
19	1	112791500/0	Skruv	Screw	
20	1	118551205/0	Svänghjulsbroms	Flywheel Brake	
21	1	118550259/0	Reglageplatta Kpl	Remote Control Assy	
22	1	118550337/0	Wireklämma	Casing Clamp	
23	1	118550338/0	Skruv	Screw	
24	2	112791213/1	Skruv	Screw	
25	1	118550260/0	Fjäder	Spring	
26	1	118550266/0	Regulatorarm Kpl	Arm Governor Assy	
27	1	118550397/0	Regulatorstang	Governor Link	
28	1	118550263/0	Fjäder	Spring	
29	1	118550264/0	Chokereglagestang	Choke Control Rod	
30	1	118550390/0	Förgasare Kpl	Carburetor	
31	1	118550738/0	Luftfilterpackning	Air Filter Gasket	
32	1	118550737/0	Luftfilter kpl	Air Cleaner Assy	
33	1	118550257/0	Luftfilter	Air Filter	
34	1	118550739/0	Luftfilterkapa	Air Cleaner Cover	
35	1	118550377/0	Ventilations slang	Breather Fule Pipe	
36	2	118550930/0	Harnalssprintbult	Stud Bolt	
37	2	112292102/0	Mutter	Nut	
38	1	118550929/0	Packning	Gasket	
39	1	118550928/0	Packning	Insulator, Carburettor	
40	1	118550315/0	Harnalssprintbult	Stud Bolt	
41	1	118550316/1	Bränsletank	Fuel Tank	
42	1	118550943/0	Tanklock	Fuel Cap	
43	1	118550806/0	Mutter	Nut	
44	1	118550314/0	Bränslefilter	Fuel Filter	
45	1	118550340/0	Bränsleslang	Fuel Pipe	
46	2	118551264/0	Packning, Förgasare	Carburetor Gasket	
47	1	118551266/0	Packning, Förgasare	Carburetor Gasket	
48	1	118550388/0	Reparationssats Förgasare	Kit Repair, Carburettor	
49	1	118550743/0	Packningssats	Gasket Carburettor Assy	



Utgåva Issue 38 - 2016		Motor - Förgasare Kpl, Bränsletank Engine - Carburettor, Tank			
Pos. Fig.	Antal Q.ty	Art nr Part No	Benämning	Description	Anmärkning Notes
50	1	118550805/0	Skruv	Screw	
51	1	118550806/0	Mutter	Nut	
52	2	118550918/0	Kabelhallare	Pipe Clip	
55	1	118550408/0	Motor Kpl	Engine Assembled	



Utgåva Issue 38 - 2016		Motor - Kolv, Vevaxel		Engine - Piston, Crankshaft	
Pos. Fig.	Antal Q.ty	Art nr Part No	Benämning	Description	Anmärkning Notes
1	7	112674550/0	Skruv	Screw	
2	1	118551208/0	Crankcase Cover	Vehusgavel kpl	
3	1	118550379/0	Tätningring	Oil Seal	
4	1	118550775/0	Gummipackning	Grommet	
5	1	118550312/1	Regulator Kpl	Speed Governor Assy	
6	1	118550380/1	Vevhuspackning	Crankcase Gasket	
8	1	118550283/0	Bricka	Washer	
9	1	118550271/0	Kamaxel	Camshaft assy	
10	1	118550385/0	Vevaxel kpl	Crankshaft	
11	1	118550288/0	Woodruffkil	Woodruff Key	
12	1	118550284/0	Vevstake	Connecting Rod Assy	
13	1	118551213/0	Kolv	Piston	
14	1	118550286/0	Kolvringssats	Piston, Ring Set	
15	1	118550280/0	Kullager	Ball Bearing	
16	1	118550936/0	Regulatoraxel	Shaft, Governor Arm	
17	2	118550291/0	Ventillyftare	Valve Lifter Assy	
18	2	118551251/0	Tryckstang	Push Rod	
19	1	118551212/0	Topplöck	Cylinder Head	
20	1	118550296/2	Ventilkapa	Cover Comp., Head	
21	4	118551277/0	Bult	Bolt	
22	1	9400-0244-00	Tändstift	Spark Plug	
23	4	118550297/0	Skruv	Screw	
24	2	118550298/0	Harnalssprintbult	Stud Bolt	
25	1	118550270/0	Ljuddämparpackning	Muffler Gasket	
26	1	118550269/0	Ljuddämpare	Muffler	
27	1	118550268/1	Ljuddämparskydd	Muffler Guard	
28	2	118550806/0	Mutter	Nut	
29	1	118550300/0	Tätningring	Oil Seal	
30	1	112674550/0	Skruv	Screw	
31	1	118550311/1	Oljesticka Kpl	Oil Filler Assy	
32	1	118551210/0	Cap,Breather Chamber	Cap,Breather Chamber	
33	1	118551211/0	Breather Chamber Gasket	Breather Chamber Gasket	
34	1	118550303/0	Plat	Plate	
35	1	118550273/0	Vipparmsats	Valve Arm Set	
36	1	118550910/0	Insugningsventil + Utblåsning-sventil	Valve Assy, Intake + Exhaust	
37	2	118551300/0	Fjäder	Spring	
38	2	118550895/0	Hallare	Retainer	
39	1	118551253/0	Platta	Plate	
43	3	112790500/0	Skruv	Screw	
44	1	118550935/0	Tätningring	Oil Seal	
45	1	118550856/0	Lasnal	Cotter Pin	
46	1	118551237/0	Topplöckspackning	Cylinder head gasket	
47	1	118551233/0	Cylinderpackning	Cylinder Gasket	
48	1	118551269/0	Plat,Governor Holder	Plate,Governor Holder	
49	1	118550915/0	Kolvsprint	Piston Pin	
50	2	118550914/0	Bricka	Washer, Piston Pin	



Utgåva Issue 38 - 2016		Motor Kapa Engine Cover			
Pos. Fig.	Antal Q.ty	Art nr Part No	Benämning	Description	Anmärkning Notes
1	1	322055463/1	Kapa	Cover	
3	1	322055452/0	Kapa Svart	Cover, Black	
4	1	322055450/0	Kapa Svart	Cover, Black	
5	1	322055439/0	Kapa Svart	Cover, Black	
6	1	381002068/0	Kapa	Cover	
7	1	381002067/0	Kapa	Cover	
8	3	112728680/0	Skruv	Screw	
10	1	322055516/0	Motorkapa	Engine Cover	
11	3	112728099/1	Skruv	Screw	
12	1	322055517/0	Engine Base Cover, Yellow	Engine Base Cover, Yellow	
12	1	322055552/0	Engine Base Cover, Black	Engine Base Cover, Black	

code	pos.	q.ty	page
322680016/0	16	4	p. 7
322778473/0	23	1	p. 3
322778475/0	7	1	p. 3
322785305/1	2	2	p. 3
322806639/0	6	1	p. 13
322869693/1	4	1	p. 3
381002067/0	7	1	p. 25
381002068/0	6	1	p. 25
381003253/0	18	2	p. 7
381003399/0	19	1	p. 3
381004837/0	8	1	p. 5
381005235/0	1	1	p. 11
381005237/0	2	1	p. 11
381006753/0	1	1	p. 7
381006754/0	1	1	p. 7
381007416/2	2	4	p. 9
381007417/2	4	2	p. 9
381007600/0	13	1	p. 7
381030104/0	11	1	p. 7
381103350/0	17	2	p. 7
381302915/0	1	1	p. 3
381302887/0	14	1	p. 3
381393704/0	2	1	p. 5
381486039/0	6	1	p. 17