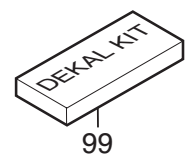
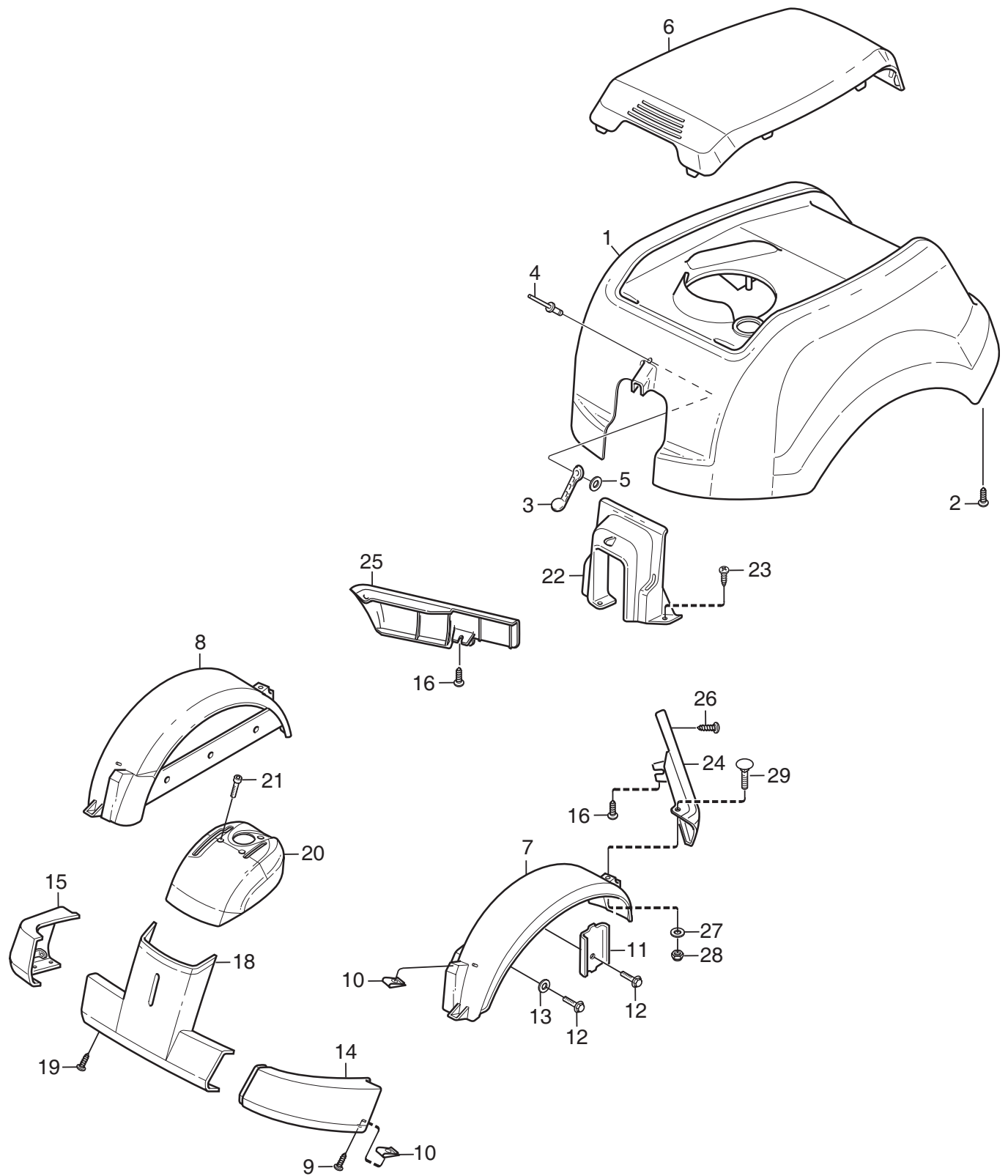
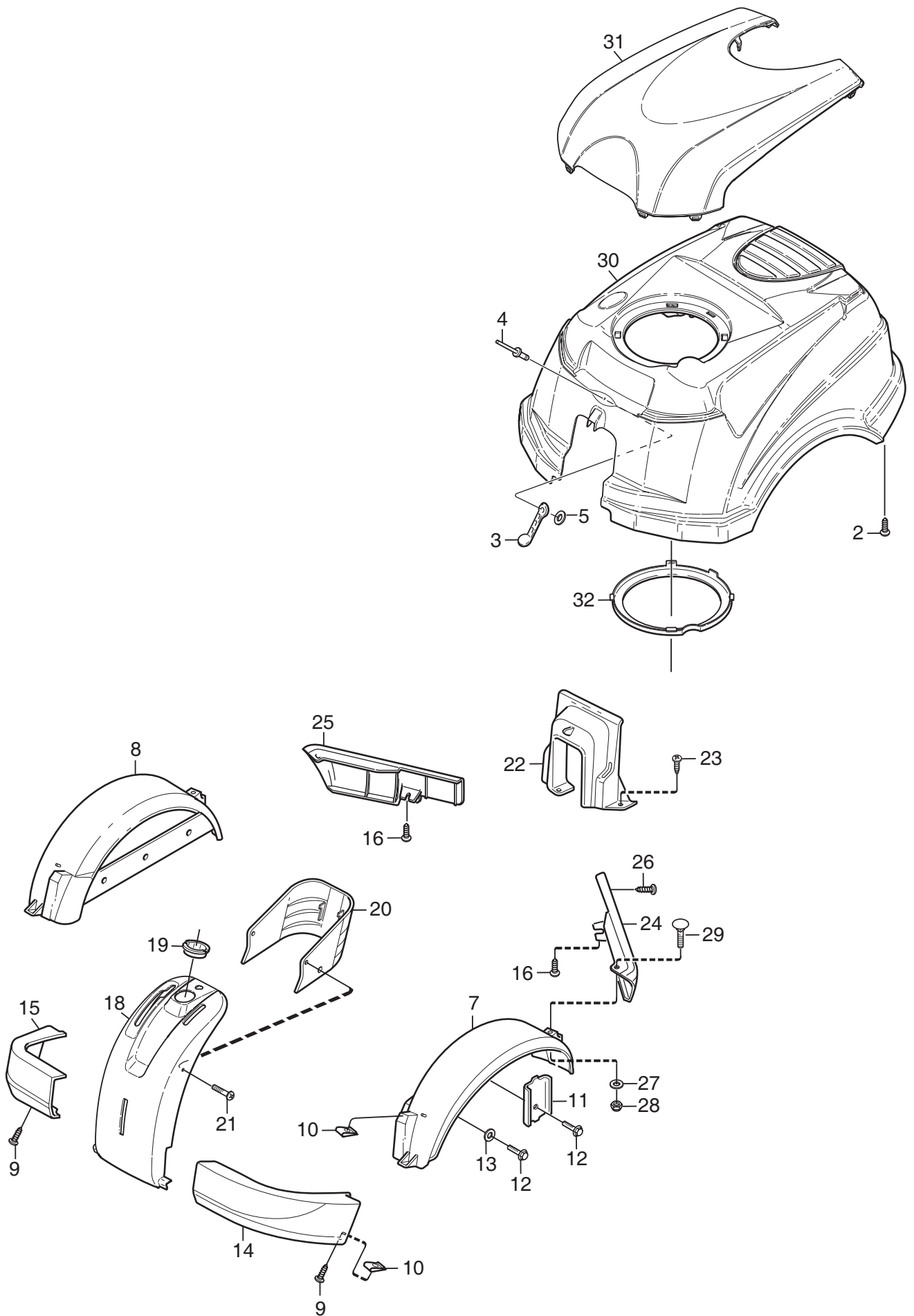


Utgåva Issue		Bildnr Picture No		PARK COMPACT 4WD MONTERINGSDETALJER		PARK COMPACT 4WD ASSEMBLY PARTS		Sida Page	
2010- 11		1638D						30	
Pos. Fig.	Antal/Quantity				Art nr Part No	Benämning	Description	Sats Kit	Anmärkning Notes
	6104 -21	6111 -61							
2	1	1			1134-6113-01	Batteriskruvar .....	Battery screws .....		
4	2	2			9595-0262-00	Spännstift .....	Locating pin .....		
5A	1	1			9699-0103-02	Shims .....	Flat washer .....		0.5 mm
5B	1	1			9699-0114-02	Shims .....	Flat washer .....		1.0 mm
6	2	2			1134-4185-01	Ansatsbricka .....	Flange washer .....		
7	2	2			9959-0820-16	Skruv .....	Screw .....		
8	2	2			1134-4481-01	Vingmutter .....	Wing nut .....		
9	4	4			9699-0056-02	Planbricka .....	Flat washer .....		
10	2	2			1134-4734-01	Tändningsnyckel .....	Ignition key .....		
12	2	2			9997-0820-16	Skruv .....	Screw .....		
13	1	1			1134-5512-01	Dragplåt .....	Towing plate .....		
14	2	2			9959-0820-16	Skruv .....	Screw .....		
15	2	2			9739-0831-22	Mutter .....	Nut .....		
18	2	2			9898-1035-16	Skruv .....	Screw .....		
19	2	2			9739-1031-22	Mutter .....	Nut .....		
31	1				8211-0001-91	Bruksanvisning .....	Owner's manual .....		
X 31		1			8211-0091-00	Bruksanvisning .....	Owner's manual .....		
31	1				8211-0601-90	Monteringsanvisning .....	Assy instructions .....		
31	1				8211-0701-91	Säkerhetsföreskrifter .....	Safety regulations .....		
31	1				8211-0901-90	Servicebok .....	Service book .....		
31	1				8211-0960-90	Garantikort .....	Warranty card .....		

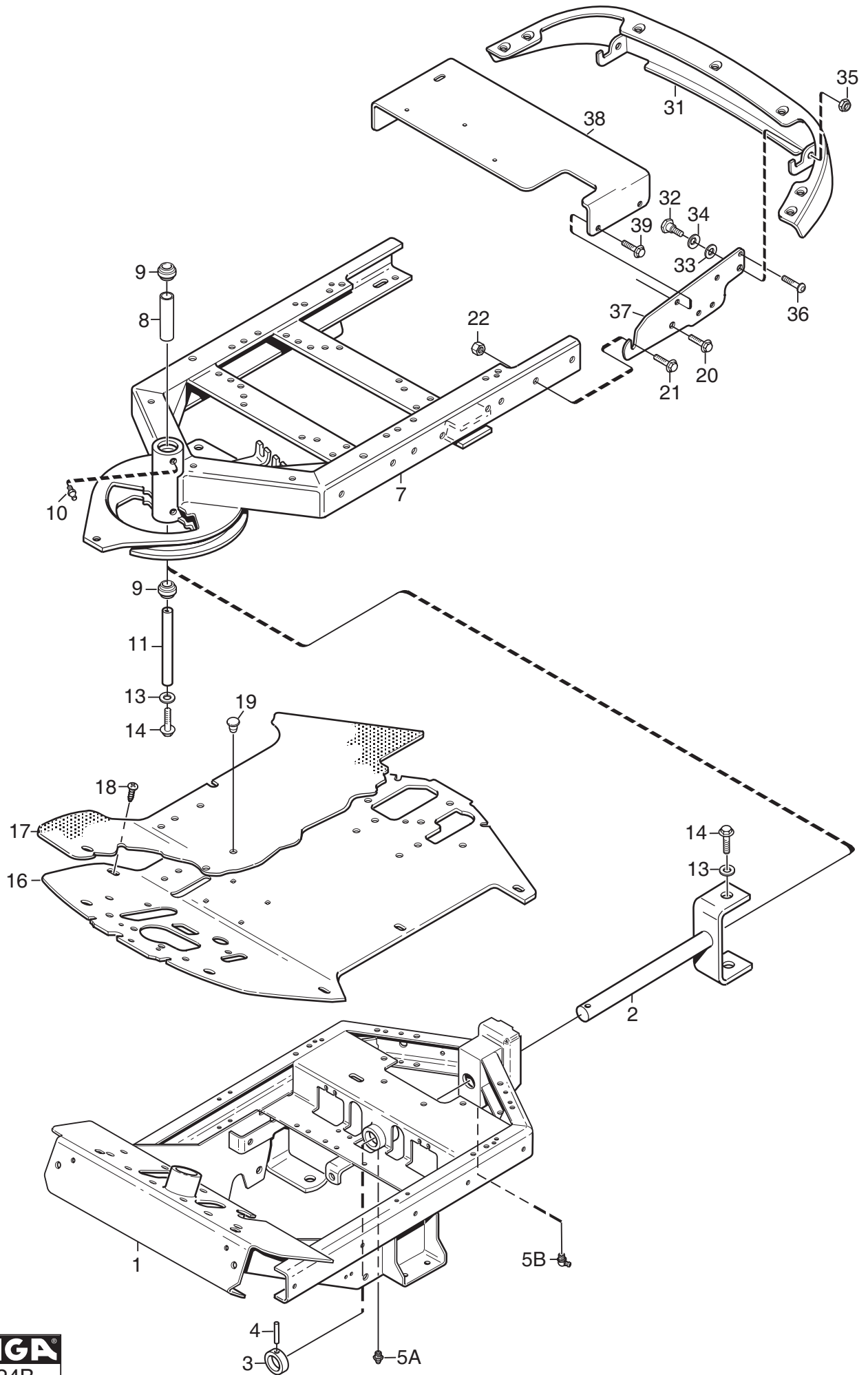


Utgåva Issue		Bildnr Picture No		PARK COMPACT 4WD KAROSS		PARK COMPACT 4WD BODY WORK		Sida Page	
2010- 11		1658B						32	
Pos. Fig.	Antal/Quantity				Art nr Part No	Benämning	Description	Sats Kit	Anmärkning Notes
	6104 -21								
1	1				1134-5263-02	Motorhuv- gul .....	Engine hood- yellow .....		Sats 3 st/kit of 3
2	7				9838-9530-12	Skruv .....	Screw .....		
3	1				1134-9028-01	Gummistropp- sats .....	Rubber strap kit .....		
4	1				9632-0516-00	Popnit .....	Pop rivet .....		
5	1				9699-0120-02	Bricka .....	Washer .....		
6	1				1134-5264-01	Motorlucka- grå .....	Engine cover- grey .....		
7	1				1134-5308-01	Stänkskärm vä- grå .....	Mud guard LH- grey .....		
8	1				1134-5308-02	Stänkskärm hö- grå .....	Mud guard RH- grey .....		
9	4				9893-0616-16	Skruv .....	Screw .....		
10	4				1134-4176-01	Clips .....	Clips .....		
11	2				1134-0225-00	Stödplåt .....	Support plate .....		
12	6				9945-0816-16	Skruv .....	Screw .....		
13	4				9699-0056-02	Planbricka .....	Flat washer .....		
14	1				1134-5306-01	Stötfångare, front- vä .....	Bumper, front- LH .....		
15	1				1134-5306-02	Stötfångare, front- hö .....	Bumper, front- RH .....		
16	2				9893-0616-16	Skruv .....	Screw .....		
18	1				1134-5305-01	Front- nedre .....	Front plate- lower .....		
19	2				9893-0616-16	Skruv .....	Screw .....		
20	1				1134-5320-02	Front- övre .....	Front- upper .....		
21	2				9946-0525-16	Skruv .....	Screw .....		
22	1				1134-6241-01	Huvstöd .....	Hood support .....		
23	3				9893-0616-16	Skruv .....	Screw .....		
24	1				1134-3970-05	Kantlist- vä, grå .....	Moulding- LH, grey .....		
25	1				1134-3970-02	Kantlist- hö, grå .....	Moulding- RH, grey .....		
26	2				9893-0616-16	Skruv .....	Screw .....		
27	2				9699-0060-02	Planbricka .....	Flat washer .....		
28	2				9747-0631-02	Låsmutter .....	Lock nut .....		
29	2				9897-0616-16	Vagnsbult .....	Carriage bolt .....		
99	1				1134-6440-03	Dekalsats .....	Label kit .....		



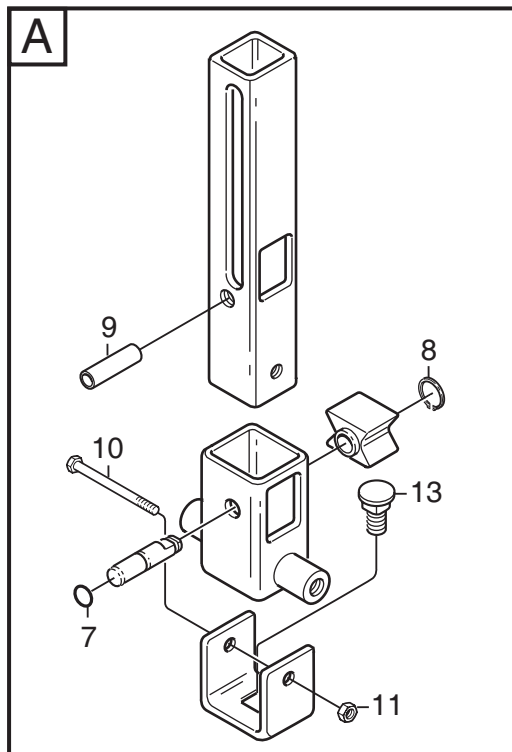
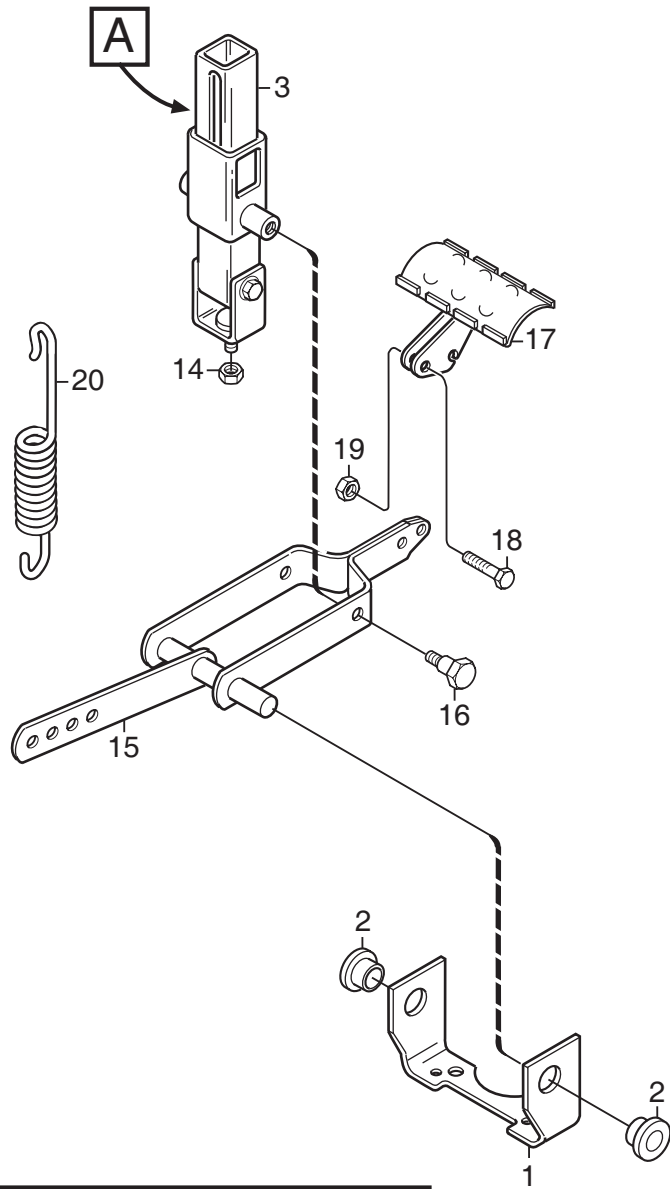
Utgåva Issue 2010- 11		Bildnr Picture No C195		PARK COMPACT 4WD KAROSS (Okay Mastercut)		PARK COMPACT 4WD BODY WORK (Okay Mastercut)		Sida Page 34	
Pos. Fig.	Antal/Quantity				Art nr Part No	Benämning	Description	Sats Kit	Anmärkning Notes
	6111 -61								
2	7				9838-9530-12 Skruv.....	Screw.....			Sats 3 st/kit of 3
3	1				1134-9028-01 Gummistropp- sats.....	Rubber strap kit.....			
4	1				9632-0516-00 Popnit.....	Pop rivet.....			
5	1				9699-0120-02 Bricka.....	Washer.....			
7	1				1134-5308-06 Stänkskärm vä- grå.....	Mud guard LH- grey.....			
8	1				1134-5308-05 Stänkskärm hö- grå.....	Mud guard RH- grey.....			
9	4				9893-0616-16 Skruv.....	Screw.....			
10	4				1134-4176-01 Clips.....	Clips.....			
11	2				1137-0088-01 Stödplåt.....	Support plate.....			
12	6				9945-0816-16 Skruv.....	Screw.....			
13	4				9699-0056-02 Planbricka.....	Flat washer.....			
14	1				1134-5367-01 Stötfångare- front, vä.....	Bumper- front, LH.....			
15	1				1134-5367-02 Stötfångare- front, hö.....	Bumper- front, RH.....			
16	2				9893-0616-16 Skruv.....	Screw.....			
18	1				1134-6748-01 Frontdekor.....	Front decor.....			
19	1				1134-4483-01 Bussning.....	Bushing.....			
20	1				1134-5361-01 Frontlock.....	Front cover.....			
21	2				9840-8013-16 Skruv.....	Screw.....			
22	1				1134-6241-01 Huvstöd.....	Hood support.....			
23	3				9893-0616-16 Skruv.....	Screw.....			
24	1				1134-3970-10 Kantlist- vä, grå.....	Moulding- LH, grey.....			
25	1				1134-3970-09 Kantlist- hö, grå.....	Moulding- RH, grey.....			
26	2				9893-0616-16 Skruv.....	Screw.....			
27	2				9699-0060-02 Planbricka.....	Flat washer.....			
28	2				9747-0631-02 Låsmutter.....	Lock nut.....			
29	2				9897-0616-16 Vagnsbult.....	Carriage bolt.....			
30	1				1134-5744-03 Motorhuv- röd.....	Engine hood- red.....			
31	1				1134-5743-03 Motorlucka- grå.....	Engine cover- grey.....			
32	1				1134-6116-06 Luftring.....	Air duct.....			

X

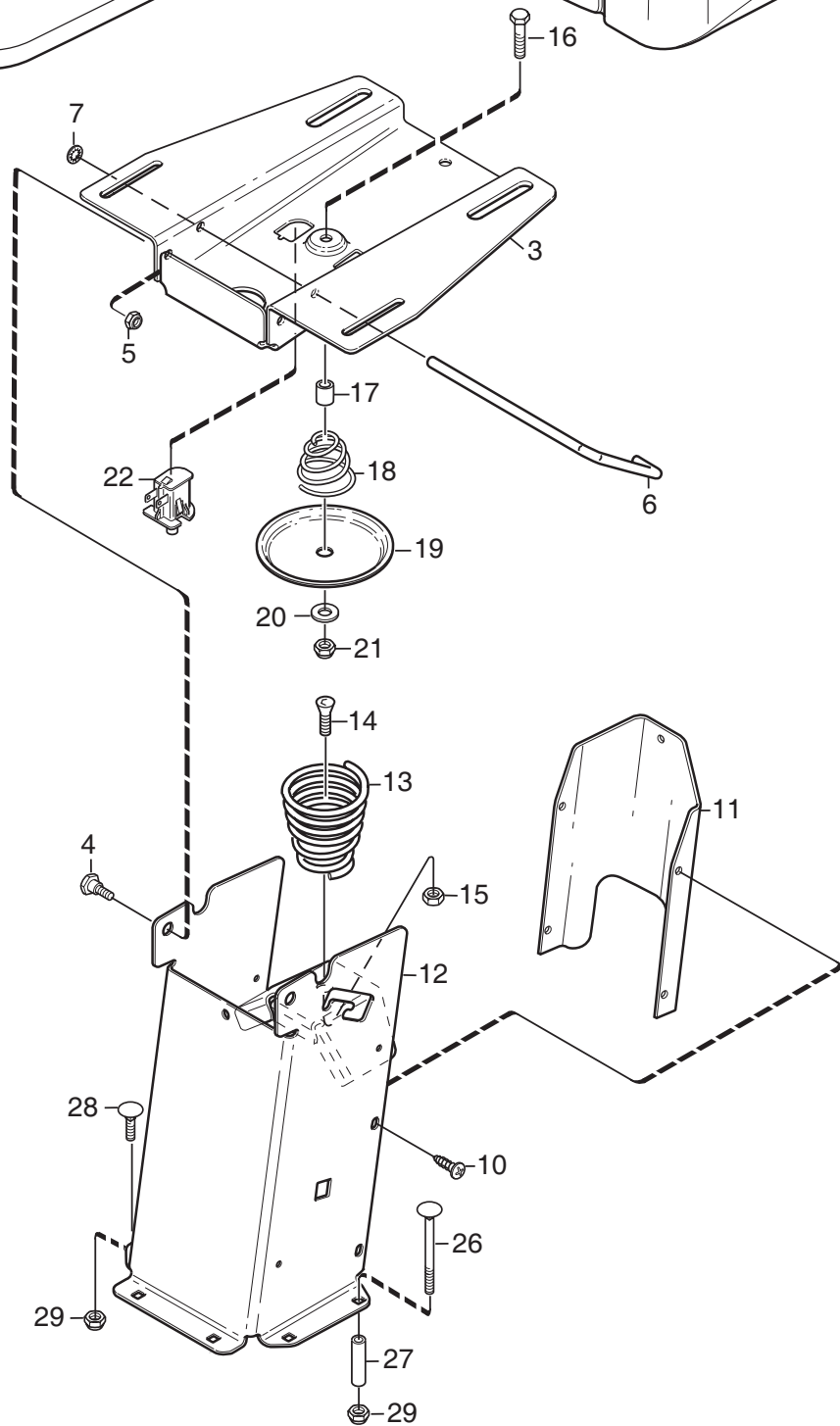
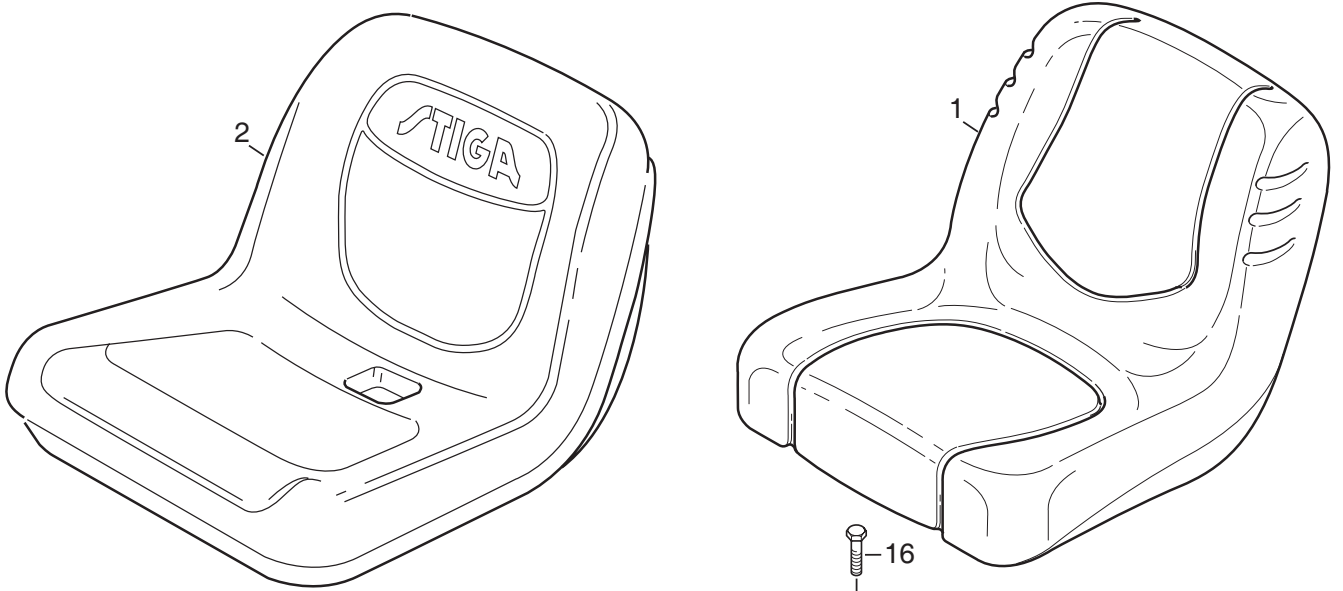


Utgåva Issue		Bildnr Picture No		PARK COMPACT 4WD RAM		PARK COMPACT 4WD FRAME		Sida Page	
2010- 11		2024B						36	
Pos. Fig.	Antal/Quantity				Art nr Part No	Benämning	Description	Sats Kit	Anmärkning Notes
	6104 -21	6111 -61							
X	1	1	1		1137-0100-01	Ram- främre .....	Frame- front .....		Rak/straight 90°
	2	1	1		1134-3963-02	• Midjegaffel .....	• Clevis .....		
	3	1	1		1134-0031-00	• Ledaxelstopp .....	• Pivot shaft stop .....		
	4	1	1		9595-0262-00	• Spännstift .....	• Locating pin .....		
	5A	1	1		9501-0500-00	• Smörjnippel .....	• Grease joint .....		
X	5B	1	1		9501-0504-01	• Smörjnippel .....	• Grease joint .....		
	7	1	1		1134-6466-01	Ram- bakre .....	Frame- rear .....		
	8	1	1		1134-5705-01	• Distans .....	• Spacer .....		
	9	2	2		9547-0001-00	• Ledlager .....	• Bearing .....		
	10	2	2		9501-0500-00	• Smörjnippel .....	• Grease joint .....		
	11	1	1		1134-5988-01	Centrumaxel .....	Centre shaft .....		
	13	2	2		9699-0035-02	Planbricka .....	Flat washer .....		
	14	2	2		9959-1025-16	Skruv .....	Screw .....		
	16	1	1		1134-6586-01	Durk .....	Floor plate .....		
	17	1	1		1134-6372-04	Durkmatta .....	Floor mat .....		
	18	2	2		9893-0616-16	Skruv .....	Screw .....		
	19	2	2		9403-0048-70	Täckpropp .....	Plug .....		
	20	2	2		9945-0816-16	Skruv .....	Screw .....		
	21	2	2		9959-0820-16	Skruv .....	Screw .....		
	22	2	2		9739-0831-22	Mutter .....	Nut .....		
	31	1			1134-5337-02	Stötfångare- bak, grå .....	Bumper- rear, grey .....		
	31		1		1134-5337-03	Stötfångare- bak, grå .....	Bumper- rear, grey .....		
	32	2	2		1134-0240-00	Ansatsskruv .....	Shoulder screw .....		
	33	2	2		1134-4242-01	Distansbricka .....	Spacer washer .....		
	34	2	2		9665-0002-00	Brickfjäder .....	Bowed washer .....		
	35	2	2		9747-0831-02	Mutter .....	Lock nut .....		
	36	2	2		9943-0516-16	Skruv .....	Screw .....		
	37	2	2		1134-5345-01	Stag .....	Attachment .....		
	38	1	1		1134-5344-01	Batterihylla .....	Battery shelf .....		
	39	4	4		9945-0816-16	Skruv .....	Screw .....		

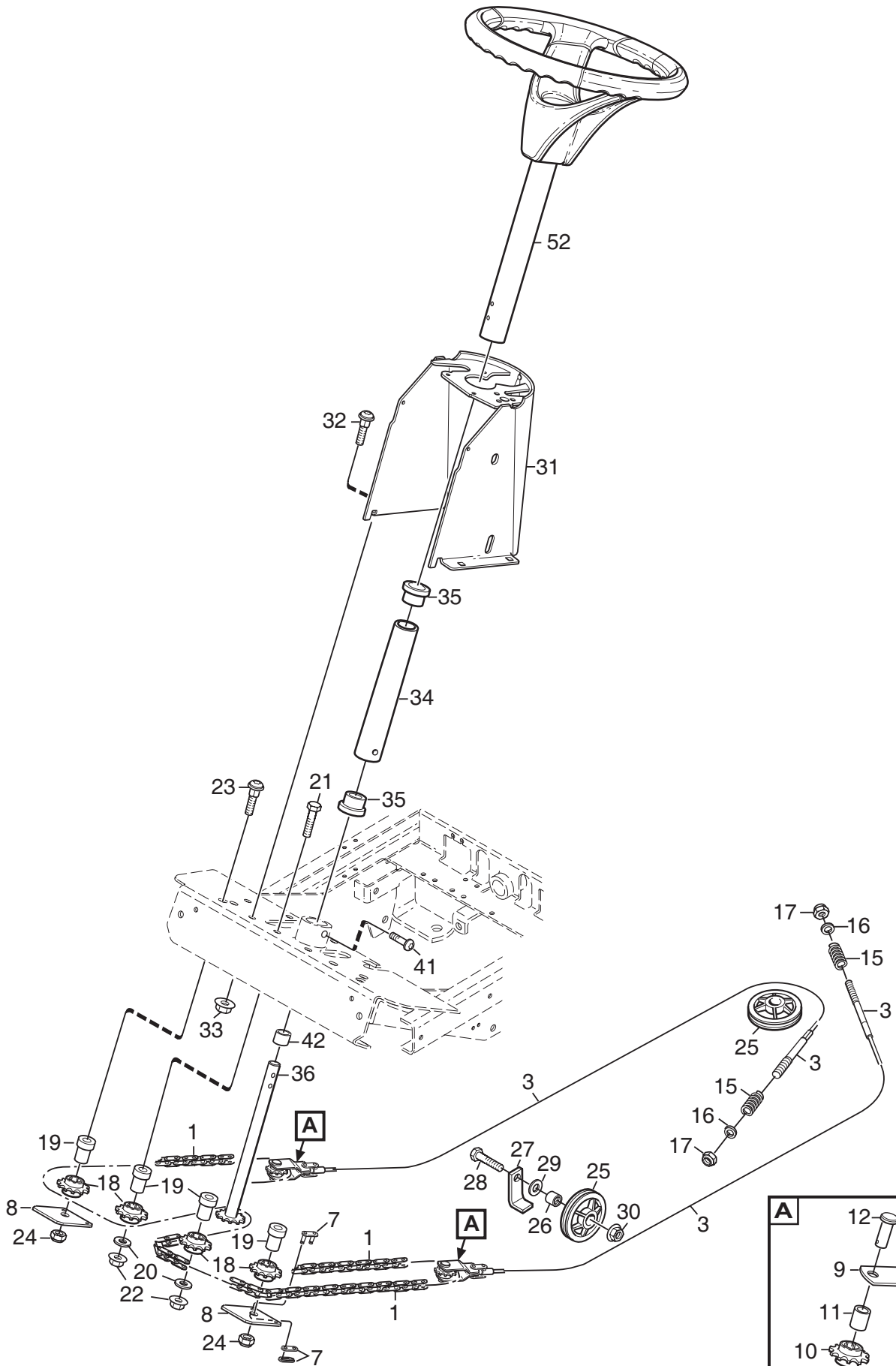




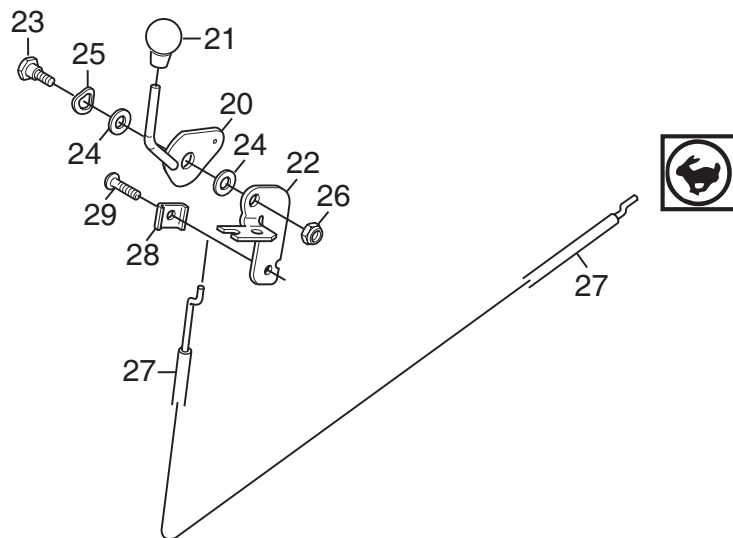
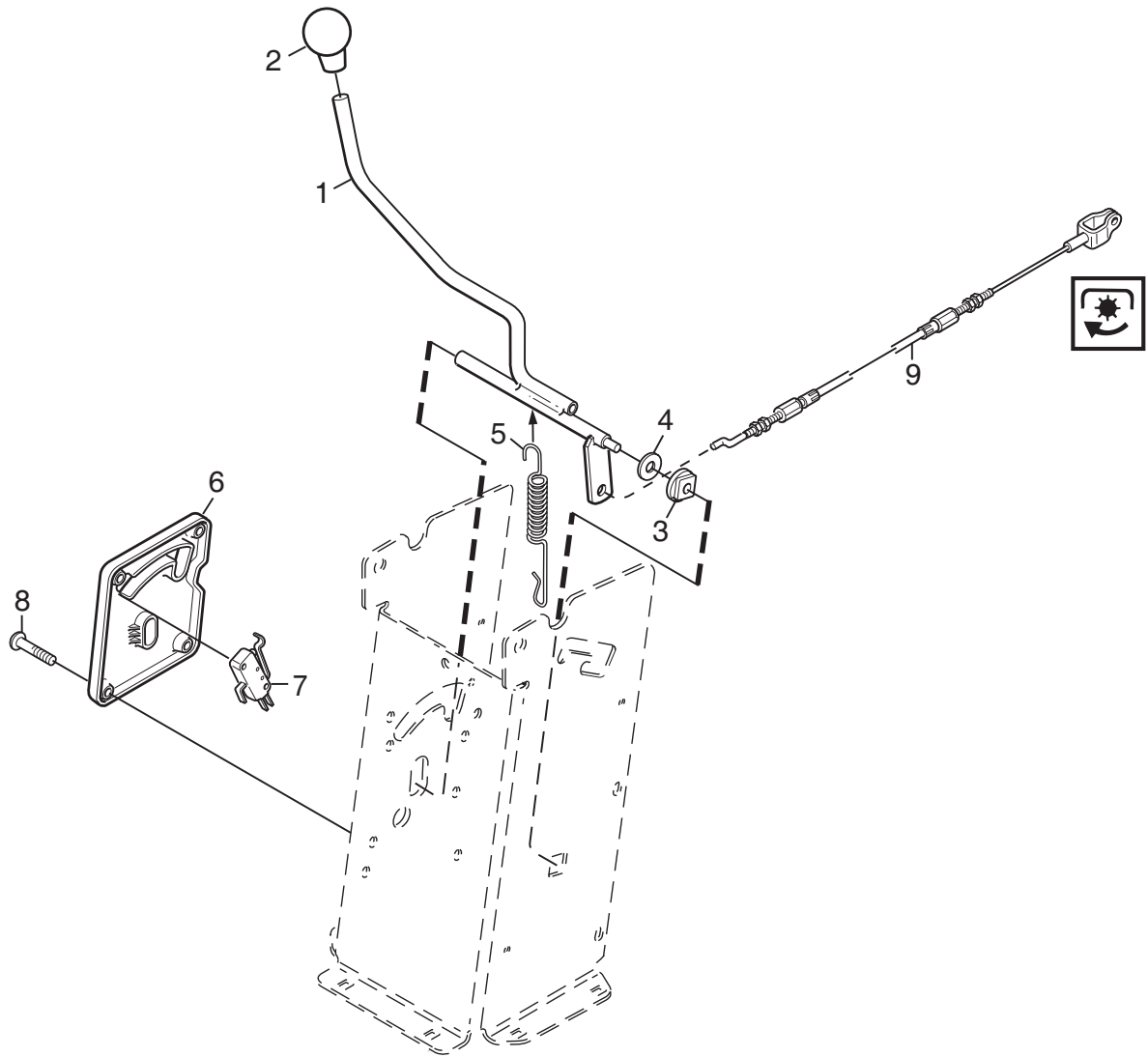
Utgåva Issue 2010-11		Bildnr Picture No 1023D		PARK COMPACT 4WD PEDALLYFT		PARK COMPACT 4WD PEDAL LIFT		Sida Page 38	
Pos. Fig.	Antal/Quantity				Art nr Part No	Benämning	Description	Sats Kit	Anmärkning Notes
	6104 -21	6111 -61							
1	1	1			1134-4117-01	Fäste .....	Bracket .....		
2	2	2			1134-2684-01	Lager .....	Bearing .....		
3	1	1			1134-4945-01	Lyftspärr kpl .....	Lift catch assy .....		
7	1	1			9404-0027-01	• O-ring .....	• O-ring .....		
8	1	1			9650-0039-04	• Seegersäkring .....	• Lock ring .....		
9	1	1			9595-0276-01	• Spännstift .....	• Locating pin .....		
10	1	1			9997-0640-12	• Skruv .....	• Screw .....		
11	1	1			9747-0631-02	• Låsmutter .....	• Lock nut .....		
13	1	1			9897-0820-16	• Skruv .....	• Screw .....		
14	1	1			9747-0831-02	Mutter .....	Lock nut .....		
15	1	1			1134-4860-01	Lyftgaffel .....	Lift fork .....		
16	2	2			1134-0240-00	Ansatsskruv .....	Shoulder screw .....		
17	1	1			1134-4938-01	Lyftpedal .....	Lift pedal .....		
18	2	2			9997-0625-16	Skruv .....	Screw .....		
19	2	2			9739-0631-22	Mutter .....	Nut .....		
20	1	1			4231-0013-00	Fjäder .....	Spring .....		



Utgåva Issue		Bildnr Picture No		PARK COMPACT 4WD SITS		PARK COMPACT 4WD SEAT		Sida Page	
2010- 11		1657C						40	
Pos. Fig.	Antal/Quantity			Art nr Part No	Benämning	Description	Sats Kit	Anmärkning Notes	
	6104 -21	6111 -61							
1		1		1134-5534-01	Sits .....	Seat .....			
2	1			1134-6444-01	Sits .....	Seat .....			
3	1	1		1134-5301-01	Sitsplatta .....	Seat plate .....			
4	2	2		1134-0240-00	Ansattsskruv .....	Shoulder screw .....			
5	2	2		9747-0831-02	Mutter .....	Lock nut .....			
6	1	1		1134-5454-01	Spärr .....	Catch .....			
7	1	1		9675-0012-02	Starlock .....	Locking washer .....			
10	4	4		9893-0616-16	Skruv .....	Screw .....			
11	1			1134-5300-01	Bakstycke- gul .....	Rear plate- yellow .....			
11		1		1134-5300-02	Bakstycke- röd .....	Rear plate- red .....			
12	1			1134-5296-04	Sitskonsol- gul .....	Seat bracket- yellow .....			
12		1		1134-5296-05	Sitskonsol- svart .....	Seat bracket- black .....			
13	1	1		1134-4256-01	Sitsfjäder .....	Seat spring .....			
14	1	1		9924-1235-19	Skruv .....	Screw .....			
15	1	1		9747-1231-02	Låsmutter .....	Lock nut .....			
16	1	1		9997-0840-16	Skruv .....	Screw .....			
17	1	1		1134-1565-06	Distans .....	Spacer .....			
18	1	1		1134-5302-01	Fjäder .....	Spring .....			
19	1	1		1134-5299-01	Tryckplatta .....	Push plate .....			
20	1	1		9699-0090-02	Planbricka .....	Flat washer .....			
21	1	1		9747-0831-02	Mutter .....	Lock nut .....			
22	1	1		1134-3156-02	Brytare (grå) .....	Switch (grey) .....			
26	2	2		9897-0880-12	Skruv .....	Screw .....		L = 80 mm	
27	2	2		1134-1565-08	Distans .....	Spacer .....			
28	4	4		9897-0820-16	Skruv .....	Screw .....		L = 20 mm	
29	6	6		9747-0831-02	Mutter .....	Lock nut .....			

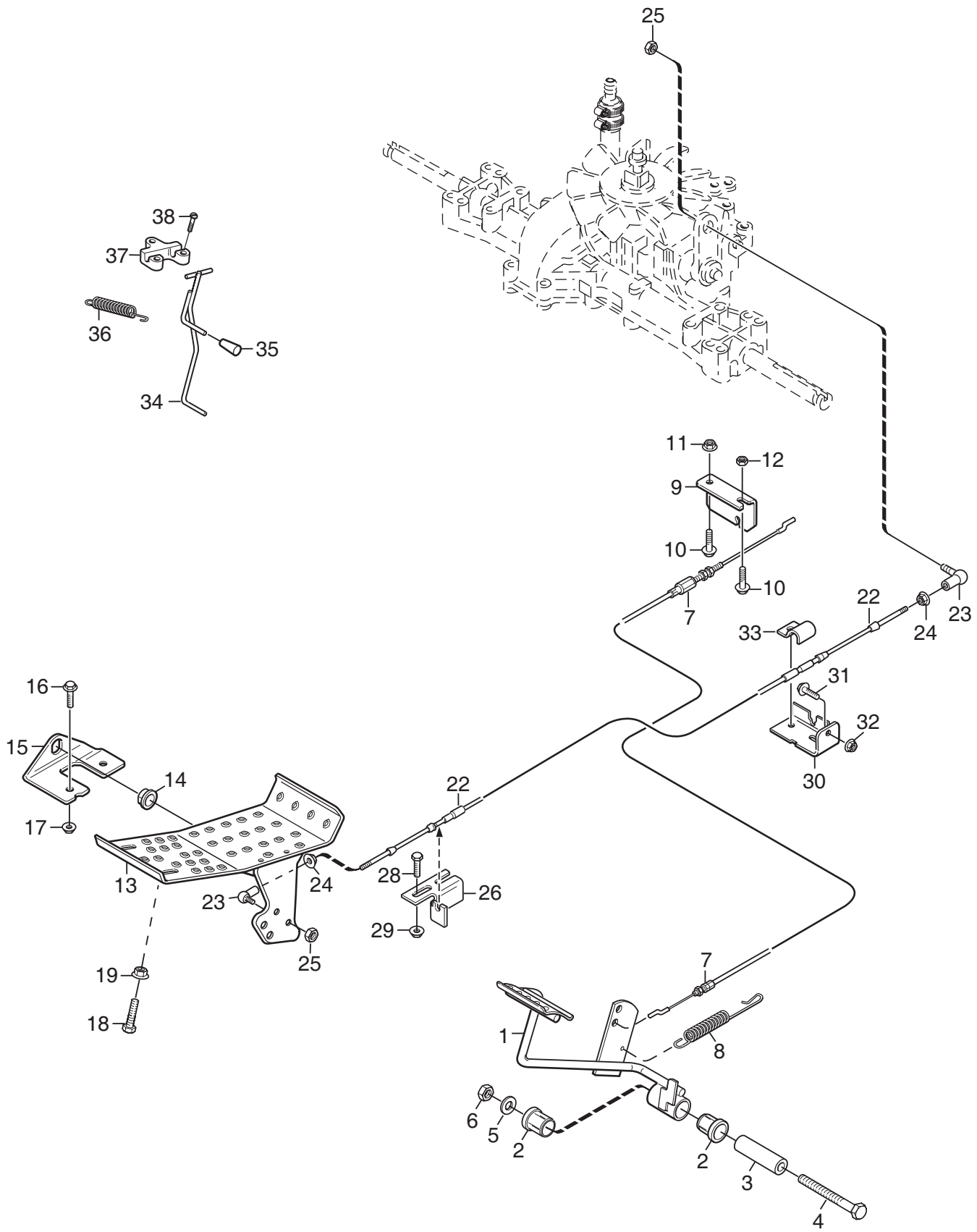


Utgåva Issue		Bildnr Picture No		PARK COMPACT 4WD STYRNING		PARK COMPACT 4WD STEERING		Sida Page	
2010- 11		2025A						42	
Pos. Fig.	Antal/Quantity				Art nr Part No	Benämning	Description	Sats Kit	Anmärkning Notes
	6104 -21	6111 -61							
1	1	1			1134-6374-10	Kedja .....	Chain.....		129 länk Sats vä+hö/kit L+R
3	1	1			1134-9099-01	Styrwire kpl (vä+hö) .....	Steering cable Assy .....		
7	4	4			1134-2824-02	Kedjelås .....	Chain lock .....		
8	2	2			1134-5652-01	Fäste .....	Attachment.....		
9	4	4			1134-5651-01	Bygel .....	Bracket.....		
10	2	2			1134-2816-01	Kedjehjul.....	Sprocket.....		
11	2	2			1134-0041-02	Linhjulshylsa .....	Idler wheel bush.....		
12	2	2			1134-4817-01	Kolvstängssprint.....	Pin .....		
13	2	2			9699-0035-02	Planbricka.....	Flat washer.....		
14	2	2			9599-0054-02	Saxpinne.....	Cotter pin .....		
15	2	2			1134-3817-01	Tryckfjäder.....	Compression spring.....		
16	2	2			9699-0090-02	Planbricka.....	Flat washer.....		
17	2	2			9747-0831-02	Mutter.....	Lock nut .....		
18	4	4			1134-2816-01	Kedjehjul.....	Sprocket.....		
19	4	4			1134-5653-01	Distans .....	Spacer.....		
20	2	2			9699-0035-02	Planbricka.....	Flat washer.....		
21	2	2			9997-1060-12	Skruv .....	Screw.....		
22	2	2			9739-1031-22	Mutter.....	Nut .....		
23	2	2			9897-1060-12	Skruv .....	Screw.....		
24	2	2			9731-1031-22	Mutter.....	Nut .....		
25	2	2			1134-9025-01	Linhjul- sats .....	Steering pulley- kit .....		Sats 2 st/kit of 2
26	2	2			1134-0041-01	Linhjulshylsa .....	Bushing.....		
27	2	2			1134-0046-00	Linhållare.....	Wire clamp.....		
28	2	2			9997-1040-16	Skruv .....	Screw.....		
29	2	2			9699-0035-02	Planbricka.....	Flat washer.....		
30	2	2			9739-1031-22	Mutter.....	Nut .....		
31	1				1134-5349-01	Styrkonsol- gul .....	Steering console- yel.....		
31		1			1134-5349-05	Styrkonsol- grå .....	Steering console- grey .....		
32	4	4			9897-0820-16	Skruv .....	Screw.....		
33	4	4			9739-0831-22	Mutter.....	Nut .....		
34	1	1			1134-1305-05	Rattrör- nedre .....	Steering column- lower .....		
35	2	2			1134-1901-01	Lager .....	Bearing.....		
X 36	1	1			1137-0079-04	Rattstång .....	Steering rod .....		
41	2	2			9893-0616-16	Skruv .....	Screw.....		
42	1	1			1134-2837-03	Distans .....	Spacer.....		
X 52	1	1			1134-5496-03	Ratt.....	Steering wheel .....		

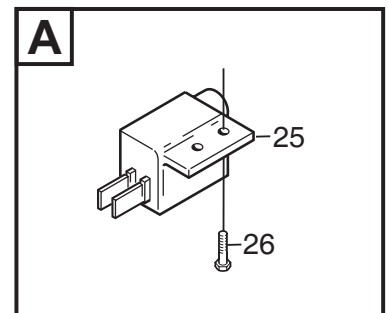
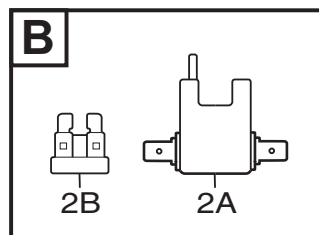
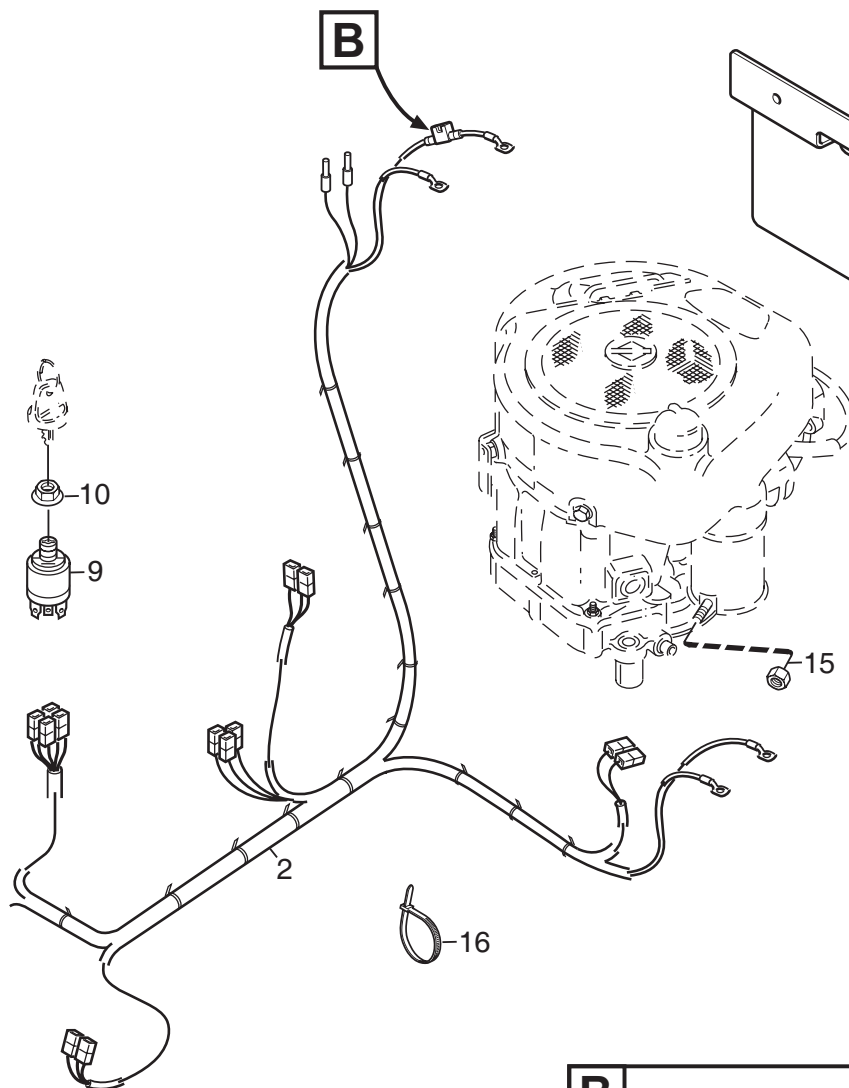
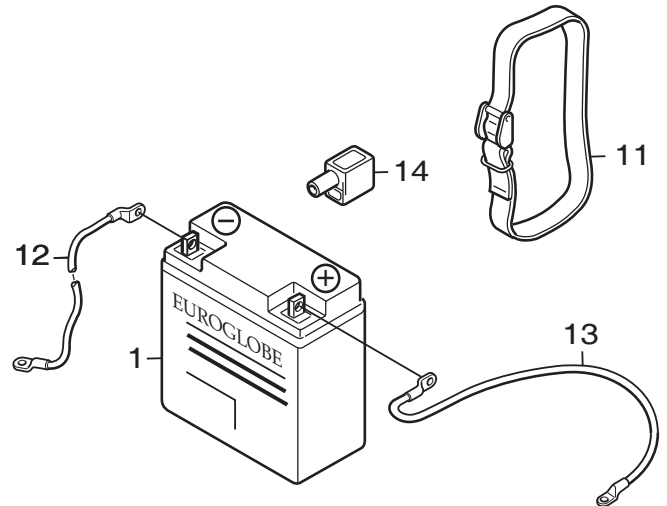
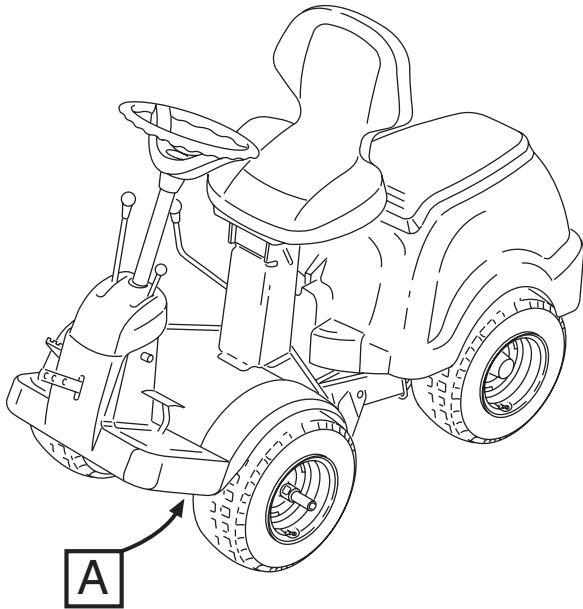


Utgåva Issue 2010-11		Bildnr Picture No 1670B		PARK COMPACT 4WD HANDREGLAGE		PARK COMPACT 4WD HAND CONTROLS		Sida Page 44	
Pos. Fig.	Antal/Quantity				Art nr Part No	Benämning	Description	Sats Kit	Anmärkning Notes
	6104 -21	6111 -61							
1	1	1			1134-6301-01	Aggregatsspak.....	Engagement lever .....		
2	1	1			1134-2551-01	Reglageknopp.....	Knob .....		
3	1	1			1134-3790-02	Lager .....	Bearing.....		
4	1	1			9699-0090-02	Planbricka.....	Flat washer.....		
5	1	1			4231-0013-00	Fjäder.....	Spring .....		
6	1	1			1134-5368-01	Panel .....	Dashboard .....		
7	1	1			9400-0312-01	Mikrobrytare.....	Micro switch .....		
8	4	4			9946-0525-16	Skruv .....	Screw .....		
9	1	1			1134-3573-05	Reglagewire.....	Control cable.....		
20	1	1			1134-5465-01	Gasreglage.....	Throttle lever.....		
21	1	1			1134-4078-01	Knopp.....	Knob .....		
22	1	1			1134-5464-01	Fäste.....	Bracket.....		
23	1	1			1134-0240-00	Ansatsskruv.....	Shoulder screw.....		
24	2	2			1134-4242-01	Distansbricka.....	Spacer washer .....		
25	1	1			9694-0001-00	Fjäderbricka .....	Washer.....		
26	1	1			9747-0831-02	Mutter.....	Lock nut.....		
27	1	1			1134-4197-03	Gaswire .....	Throttle cable .....		
28	1	1			9500-9991-00	Wireklämma .....	Cable clamp .....		
29	1	1			9943-0516-16	Skruv.....	Screw.....		

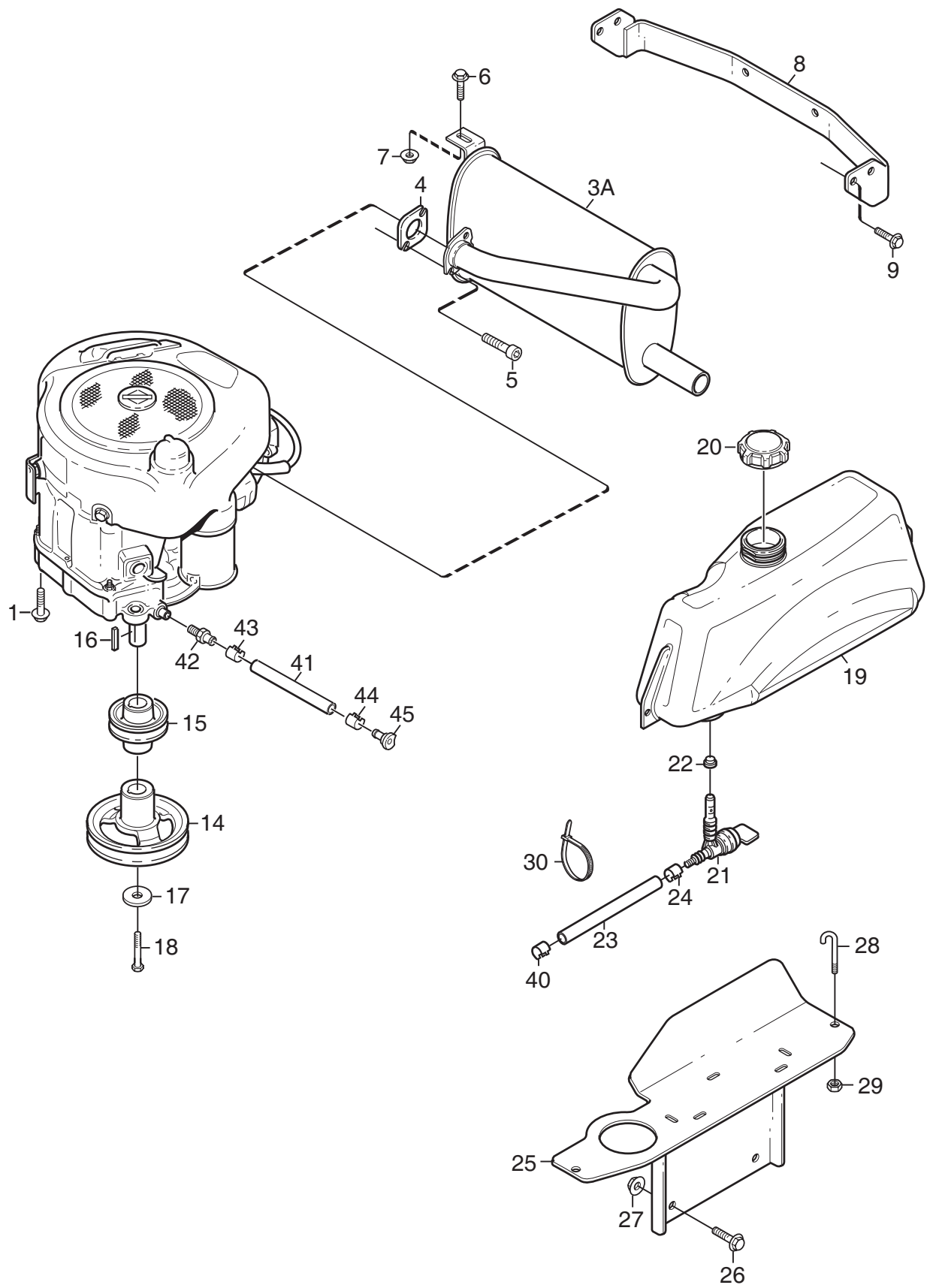




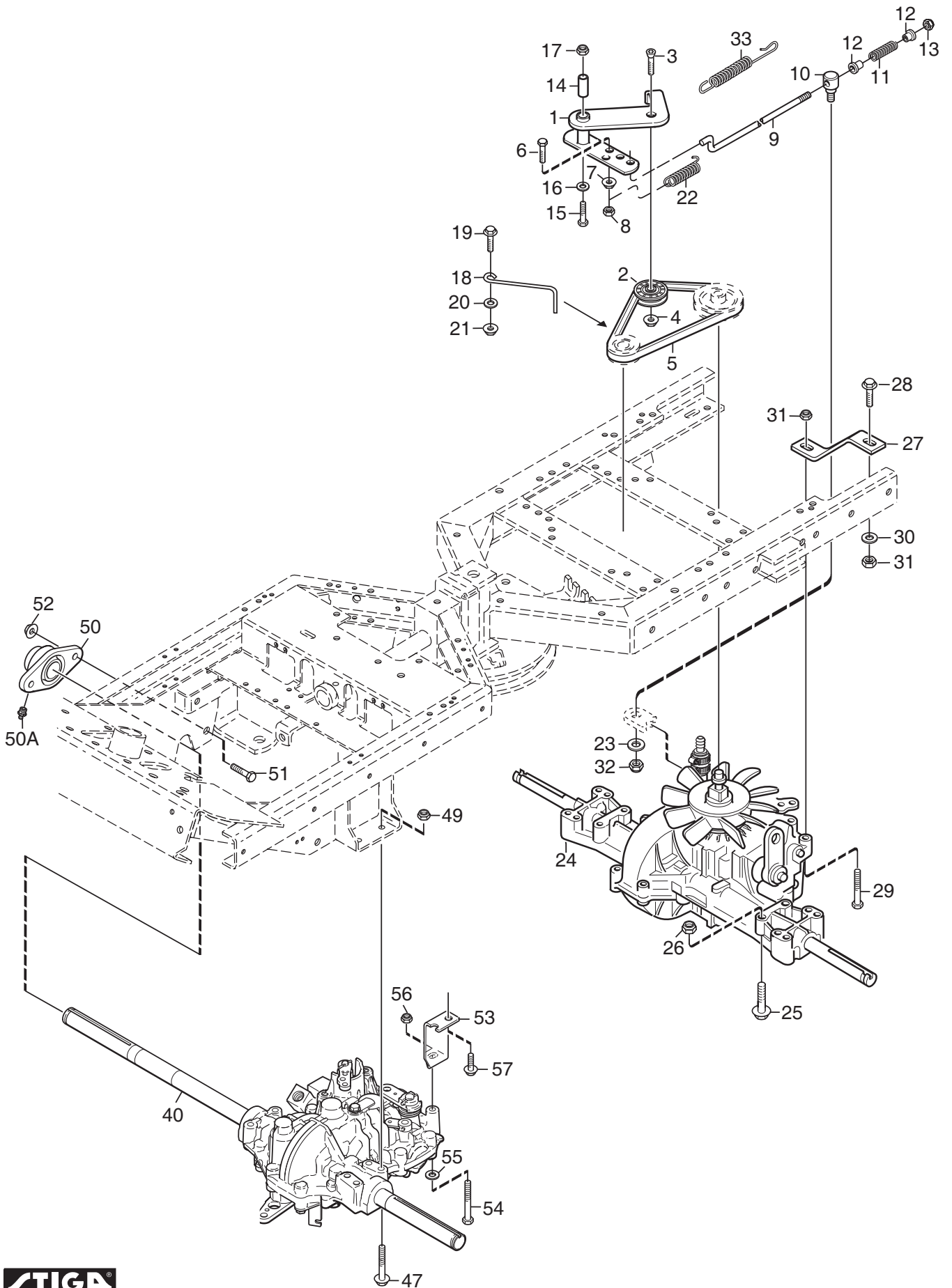
Utgåva Issue 2010-11		Bildnr Picture No 2026A		PARK COMPACT 4WD FOTREGLAGE		PARK COMPACT 4WD FOOT CONTROLS		Sida Page 46	
Pos. Fig.	Antal/Quantity			Art nr Part No	Benämning	Description	Sats Kit	Anmärkning Notes	
	6104 -21	6111 -61							
1	1	1		1134-5655-01	Broms/kopplingspedal.....	Brake/clutch pedal.....		Sats 4 st/kit of 4	
2	1	1		1134-9024-01	Lager.....	Bearing.....			
3	1	1		1134-5677-02	Distans.....	Spacer.....			
4	1	1		9997-1070-12	Skruv.....	Screw.....			
5	1	1		9699-0030-02	Planbricka.....	Flat washer.....			
6	1	1		9739-1031-22	Mutter.....	Nut.....			
7	1	1		1134-6005-01	Wire.....	Cable.....			
8	1	1		4231-0013-00	Fjäder.....	Spring.....			
9	1	1		1134-6467-01	Wirefäste.....	Cable holder.....			
10	2	2		9959-0820-16	Skruv.....	Screw.....			
11	1	1		9739-0831-22	Mutter.....	Nut.....			
12	1	1		9747-0831-02	Mutter.....	Lock nut.....			
13	1	1		1134-6353-01	Drivpedal.....	Drive pedal.....			
14	2	2		1134-6313-01	Lager.....	Bearing.....			
15	2	2		1134-2700-01	Fäste.....	Bracket.....			
16	2	2		9959-0820-16	Skruv.....	Screw.....			
17	2	2		9739-0831-22	Mutter.....	Nut.....			
18	1	1		9997-0835-16	Skruv.....	Screw.....			
19	1	1		9739-0831-22	Mutter.....	Nut.....			
22	1	1		1134-2766-05	Reglagewire.....	Speed control cable.....			
23	2	2		9570-0001-00	Vinkellänk.....	Elbow link.....			
24	2	2		9739-0531-22	Mutter.....	Nut.....			
25	2	2		9747-0531-02	Mutter.....	Nut.....			
26	1	1		1134-6317-01	Wirefäste.....	Cable holder.....			
28	2	2		9959-0620-16	Skruv.....	Screw.....			
29	2	2		9739-0631-22	Mutter.....	Nut.....			
30	1	1		1134-3395-01	Fäste.....	Attachment.....			
31	2	2		9959-0820-16	Skruv.....	Screw.....			
32	2	2		9739-0831-22	Mutter.....	Nut.....			
33	1	1		1134-2021-01	Växelwirefäste.....	Clamp.....			
34	1	1		1134-5353-01	Bromsstång.....	Brake rod.....			
35	1	1		1134-2786-01	Plastknopp.....	Plastic knob.....			
36	1	1		1131-1497-01	Fjäder.....	Spring.....			
37	1	1		1134-4002-01	Fäste.....	Brake rod attachment.....			
38	3	3		9838-9516-12	Skruv.....	Screw.....			



Utgåva Issue 2010-11		Bildnr Picture No 1671F		PARK COMPACT 4WD ELUTRUSTNING		PARK COMPACT 4WD EL. EQUIPMENT		Sida Page 48	
Pos. Fig.	Antal/Quantity				Art nr Part No	Benämning	Description	Sats Kit	Anmärkning Notes
	6104 -21	6111 -61							
X 1	1	1			1134-4804-01	Batteri .....	Battery .....		Inkl. pos 2A Inkl. pos 2B 20A
2	1	1			1134-5769-01	Kablage .....	Harness .....		
2A	1	1			9400-0327-01	• Säkringshållare .....	• Fuse holder .....		
2B	1	1			1134-3496-06	• • Säkring .....	• • Fuse .....		
3	1	1			1134-5343-01	Batterikonsol .....	Battery bracket .....		
4	3	3			9852-8013-16	Skruv .....	Screw .....		
5	2	2			9699-0060-02	Planbricka .....	Flat washer .....		
6	1	1			1134-2962-01	Solenoid kpl .....	Solenoid assy .....		
7	2	2			9852-8013-16	Skruv .....	Screw .....		
8	2	2			9794-5131-02	• Mutter .....	• Nut .....		
9	1	1			1134-4093-01	Tändningslås .....	Ignition switch .....		
10	1	1			1134-4749-01	Mutter .....	Nut .....		
11	1	1			1134-5245-01	Batterirem .....	Battery strap .....		
12	1	1			1134-2167-01	Kabel .....	Cable .....		
13	1	1			1134-0234-02	Batterikabel ( + ) .....	Battery cable ( + ) .....		
14	1	1			1134-2310-01	Batteriskydd .....	Guard cap .....		
15	1	1			9795-3531-02	Mutter .....	Nut .....		
16	15	15			9579-0003-00	Buntband .....	Cable holder .....		
25	1	1			1134-3399-02	Brytare .....	Switch .....		
26	2	2			9943-0516-16	Skruv .....	Screw .....		



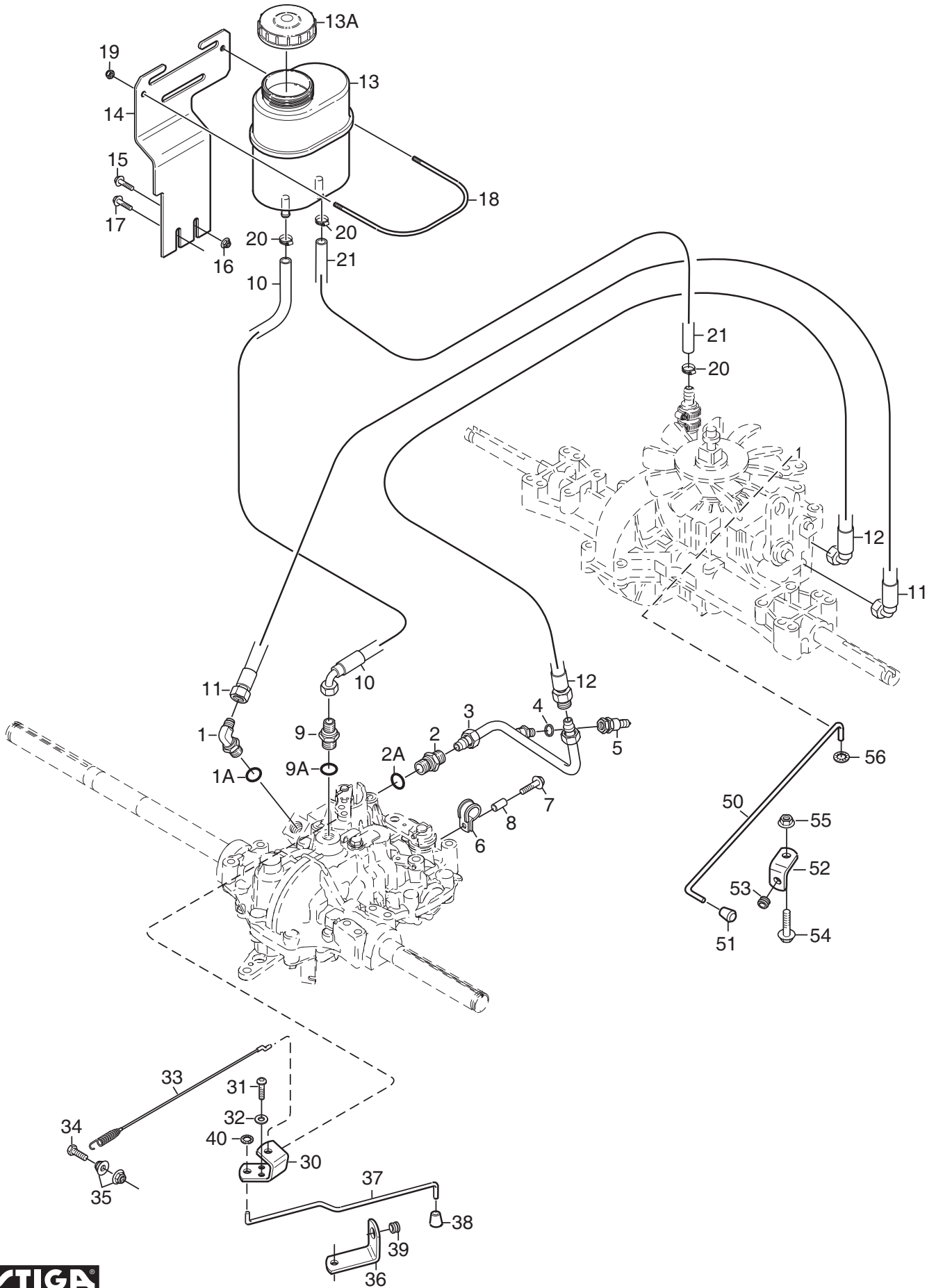
Utgåva Issue		Bildnr Picture No		PARK COMPACT 4WD MOTOR		PARK COMPACT 4WD ENGINE		Sida Page	
2010- 11		1672E						50	
Pos. Fig.	Antal/Quantity			Art nr Part No	Benämning	Description	Sats Kit	Anmärkning Notes	
	6104 -21	6111 -61							
1	4	4		9955-3725-16	Skruv.....	Screw.....		3/8" UNC x 25 mm	
3A	1	1		1134-7784-01	Ljuddämpare .....	Muffler .....			
4	1	1		1134-0433-00	Ljuddämparpackning.....	Muffler gasket.....			
5	2	2		1134-4930-01	Skruv.....	Screw.....			
6	1	1		9959-0820-16	Skruv.....	Screw.....			
7	1	1		9739-0831-22	Mutter.....	Nut.....			
8	1	1		1134-5390-01	Dragkroksbalk .....	Tow bar bracket.....			
9	4	4		9945-0816-16	Skruv.....	Screw.....			
14	1	1		1134-6419-01	Motorremskiva .....	Engine pulley.....			
15	1	1		1134-6137-01	Motorremskiva .....	Engine pulley.....			
16	1	1		9600-0251-01	Kil .....	Key .....	L = 2 1/2"		
17	1	1		1134-5017-01	Bricka .....	Washer.....			
18	1	1		9987-5332-16	Skruv.....	Screw .....			
19	1	1		1134-6618-01	Bränsletank.....	Fuel tank .....			
20	1	1		1134-5532-01	Tanklock .....	Fuel tank cap.....			
21	1	1		1134-3224-01	Bensinkran.....	Fuel shut-off valve.....			
22	1	1		1134-3225-01	Gummibussning .....	Grommet.....			
23	1	1		1134-2975-07	Bensinslang .....	Fuel hose.....	L = 350 mm		
24	1	1		9578-0023-02	Slangklämma.....	Hose clamp .....			
25	1	1		1134-6627-01	Tankkonsol .....	Fuel tank bracket.....			
26	2	2		9959-0820-16	Skruv.....	Screw.....			
27	2	2		9739-0831-22	Mutter.....	Nut.....			
28	2	2		1134-5346-01	Tankbygel .....	Fuel tank loop.....			
29	2	2		9747-0631-02	Låsmutter .....	Lock nut.....			
30	1	1		9579-0003-00	Buntband .....	Cable holder .....			
40	1	1		9578-0023-02	Slangklämma.....	Hose clamp .....			
41	1	1		1134-5827-01	Oljeavtappning kpl .....	Oil drain assy .....	Pos 42- 45 incl.		
42	1	1		1134-5825-01	• Nippel .....	• Nipple.....			
43	1	1		9578-0023-04	• Slangklämma.....	• Hose clamp .....			
44	1	1		1134-3499-02	• Slangklämma.....	• Hose clamp .....			
45	1	1		1134-5826-01	• Plugg .....	• Plug.....			



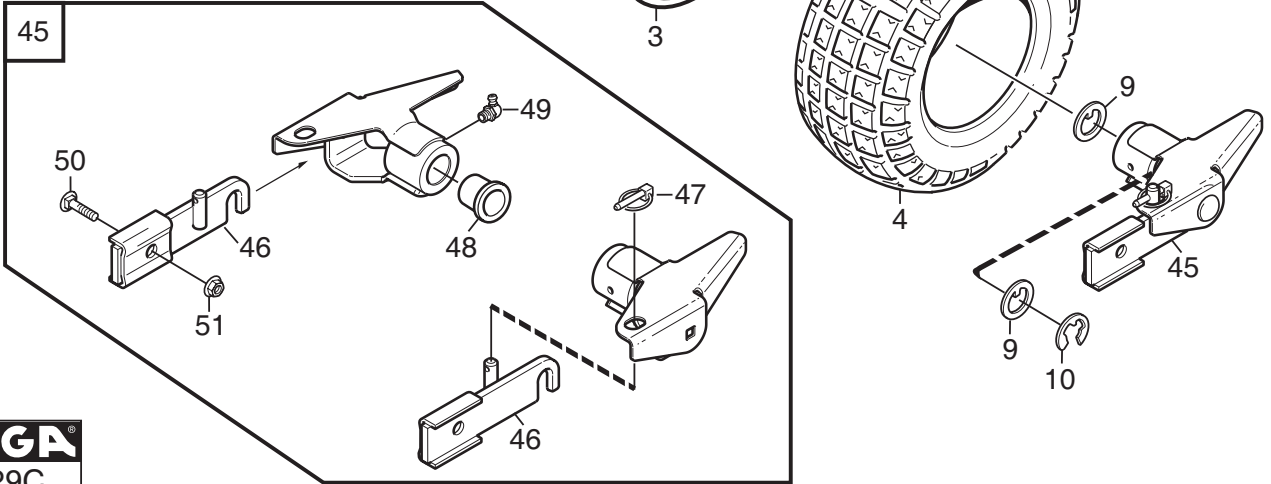
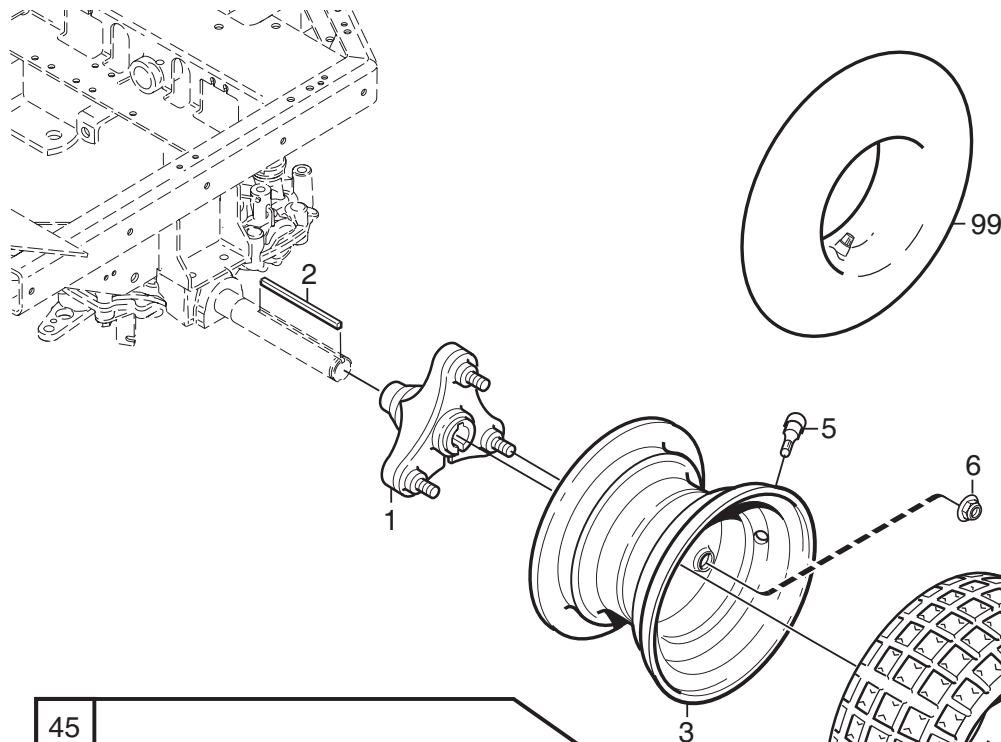
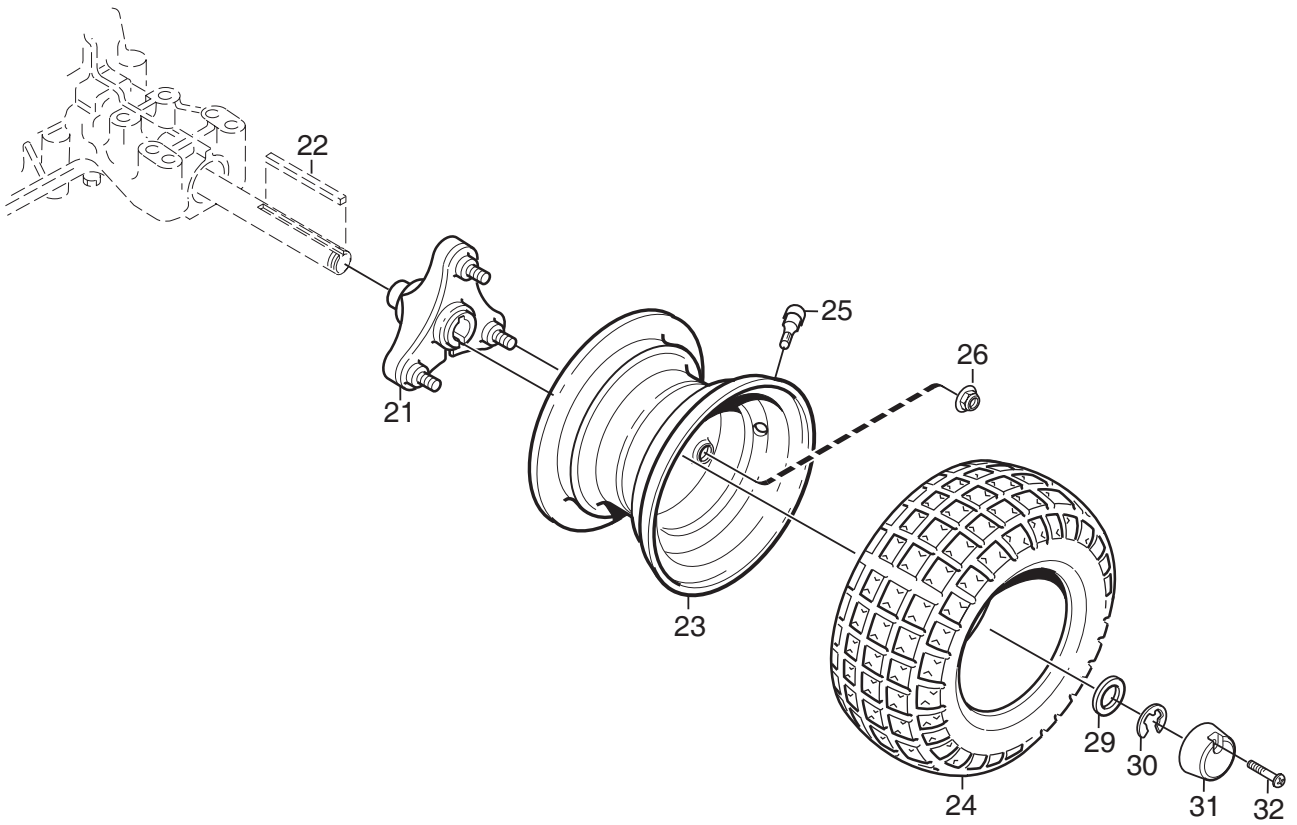
Utgåva Issue 2010-11		Bildnr Picture No 2027B		PARK COMPACT 4WD TRANSMISSION (mekaniska delar)		PARK COMPACT 4WD TRANSMISSION (mechanical parts)		Sida Page 52	
Pos. Fig.	Antal/Quantity			Art nr Part No	Benämning	Description	Sats Kit	Anmärkning Notes	
	6104 -21	6111 -61							
1	1	1		1134-4000-02	Spännarm .....	Tension arm .....		= 9585-0091-01	
2	1	1		1134-3459-01	Spännrulle .....	Tension roller .....			
3	1	1		9924-1035-16	Skruv .....	Screw .....			
4	1	1		9799-1031-02	Mutter .....	Nut .....			
5	1	1		1134-9058-01	Drivrem .....	V-belt .....			
6	1	1		9997-0625-16	Skruv .....	Screw .....			
7	1	1		9739-0631-22	Mutter .....	Nut .....			
8	1	1		9747-0631-02	Låsmutter .....	Lock nut .....			
9	1	1		1134-3377-02	Reglagestång .....	Control rod .....			
10	1	1		1134-4171-01	Ledtapp .....	Pivot pin .....			
11	1	1		1134-4183-01	Tryckfjäder .....	Compression spring .....			
12	2	2		1134-3456-01	Bussning .....	Bushing .....			
13	1	1		9747-0631-02	Låsmutter .....	Lock nut .....			
14	1	1		1134-1565-08	Distans .....	Spacer .....			
15	1	1		9997-0870-16	Skruv .....	Screw .....			
16	1	1		9699-0056-02	Planbricka .....	Flat washer .....			
17	1	1		9747-0831-02	Mutter .....	Lock nut .....			
18	1	1		1134-3289-02	Remstyrning .....	Belt guide .....			
19	1	1		9959-0820-16	Skruv .....	Screw .....			
20	1	1		9699-0056-02	Planbricka .....	Flat washer .....			
21	1	1		9739-0831-22	Mutter .....	Nut .....			
22	1	1		1134-6414-01	Fjäder .....	Spring .....			
23	1	1		9699-0060-02	Planbricka .....	Flat washer .....			
24	1	1		1134-6394-01	Transaxel kpl. ....	Transaxle assy. ....	Kanzaki K574G Kanzaki K574G		
24	1	1		1137-0124-01	Transaxel kpl. ....	Transaxle assy. ....			
25	4	4		9960-0860-12	Skruv .....	Screw .....			
26	4	4		9747-0831-02	Mutter .....	Lock nut .....			
27	1	1		1134-3913-01	Reaktionsstag .....	Strut .....			
28	1	1		9959-0825-16	Skruv .....	Screw .....			
29	1	1		9997-0845-12	Skruv .....	Screw .....			
30	1	1		9699-0090-02	Planbricka .....	Flat washer .....			
31	2	2		9747-0831-02	Mutter .....	Lock nut .....			
32	1	1		9747-0631-02	Låsmutter .....	Lock nut .....			
33	1	1		4231-0013-00	Fjäder .....	Spring .....			
40	1	1		1134-6029-01	Motoraxel- fram .....	Transaxle- front .....	Kanzaki KTM 10M		
47	2	2		9960-0860-12	Skruv .....	Screw .....			
49	2	2		9747-0831-02	Mutter .....	Lock nut .....			
50	1	1		1134-5703-01	Flänslagerenhet .....	Flange bearing .....			
50A	1	1		9501-0500-00	- Smörjnippel .....	- Grease joint .....			
51	2	2		9997-1040-16	Skruv .....	Screw .....			
52	2	2		9731-1031-22	Mutter .....	Nut .....			
53	1	1		1134-5670-01	Reaktionsstag .....	Strut .....			
54	1	1		9997-0880-16	Skruv .....	Screw .....			
55	1	1		9699-0090-02	Planbricka .....	Flat washer .....			
56	1	1		9747-0831-02	Mutter .....	Lock nut .....			
57	2	2		9945-0816-16	Skruv .....	Screw .....			

X



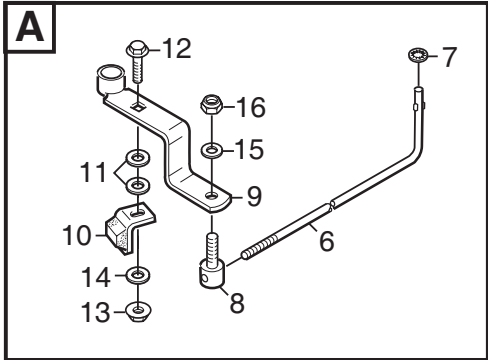
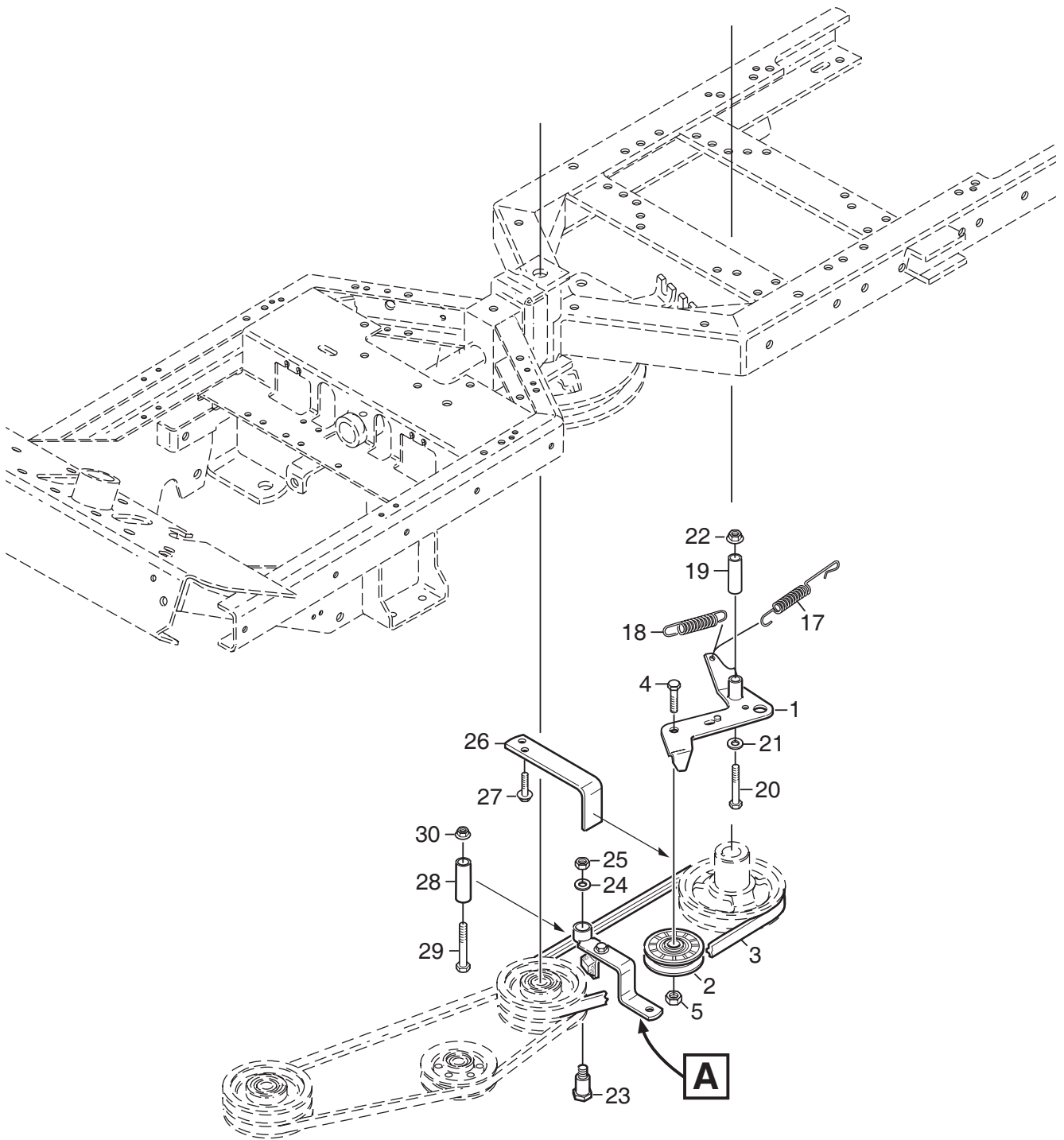


Utgåva Issue 2010-11		Bildnr Picture No 2028		PARK COMPACT 4WD TRANSMISSION (hydrauliska delar)		PARK COMPACT 4WD TRANSMISSION (hydraulic parts)		Sida Page 54	
Pos. Fig.	Antal/Quantity			Art nr Part No	Benämning	Description	Sats Kit	Anmärkning Notes	
	6104 -21	6111 -61							
1	1	1		1134-6044-01	Vinkeladapter .....	Angle coupling .....		3/4" x 9/16"	
1A	1	1		9404-0029-01	• O-ring .....	• O-ring .....			
2	1	1		1134-5875-01	Skäringskoppling .....	Hydraulic coupling .....		3/4"	
2A	1	1		9404-0029-01	• O-ring .....	• O-ring .....			
3	1	1		1134-6039-01	Hydraulrör .....	Hydraulic pipe .....			
4	1	1		1134-4948-01	Tredobricka .....	Seal washer .....		1/4"	
5	1	1		1134-6042-01	Snabbkoppling- hane .....	Quick coupling- male .....			
6	1	1		9578-0028-01	Rörklammer .....	Tube clamp .....			
7	1	1		9959-0825-16	Skruv .....	Screw .....			
8	1	1		1134-1565-09	Distans .....	Spacer .....			
9	1	1		1134-5809-01	Adapter .....	Hydraulic coupling .....		3/4" x 9/16"	
9A	1	1		9404-0029-01	• O-ring .....	• O-ring .....			
10	1	1		1134-5758-01	Hydraulslang .....	Hydraulic tube .....			
11	1	1		1134-6048-01	Hydraulslang .....	Hydraulic tube .....			
12	1	1		1134-6043-01	Hydraulslang .....	Hydraulic tube .....			
13	1	1		1134-6011-01	Hydraultank .....	Hydraulic oil tank .....			
13A	1	1		1134-5965-01	• Tanklock .....	• Tank cap .....			
14	1	1		1134-6009-01	Tankkonsol .....	Tank bracket .....			
15	1	1		9959-0820-16	Skruv .....	Screw .....			
16	1	1		9739-0831-22	Mutter .....	Nut .....			
17	1	1		9945-0816-16	Skruv .....	Screw .....			
18	1	1		1134-6030-01	Tankbygel .....	Tank loop .....			
19	2	2		9747-0631-02	Låsmutter .....	Lock nut .....			
20	3	3		9578-0023-04	Slangklämma .....	Hose clamp .....			
21	1	1		1134-2779-08	Slang .....	Tube .....		L = 165 mm	
30	1	1		1134-6162-01	Fäste .....	Bracket .....			
31	2	2		9939-0612-16	Skruv .....	Screw .....			
32	2	2		9699-0025-02	Planbricka .....	Washer .....			
33	1	1		1134-6163-01	Wire .....	Cable .....			
34	1	1		9997-0835-12	Skruv .....	Screw .....			
35	2	2		9739-0831-22	Mutter .....	Nut .....			
36	1	1		1134-6084-01	Reglagekonsol .....	Control bracket .....			
37	1	1		1134-6083-01	Reglagestång .....	Control rod .....			
38	1	1		1134-4014-01	Plastknopp .....	Plastic button .....			
39	1	1		1134-2790-01	Gummihylsa .....	Rubber grommet .....			
40	1	1		9675-0009-02	Starlock .....	Starlock .....			
50	1	1		1134-4015-01	Dragstång .....	Pull rod .....			
51	1	1		1134-4014-01	Plastknopp .....	Plastic button .....			
52	1	1		1134-4713-01	Vinkel .....	Bracket .....			
53	1	1		1134-2790-01	Gummihylsa .....	Rubber grommet .....			
54	1	1		9959-0820-16	Skruv .....	Screw .....			
55	1	1		9739-0831-22	Mutter .....	Nut .....			
56	1	1		9675-0009-02	Starlock .....	Starlock .....			

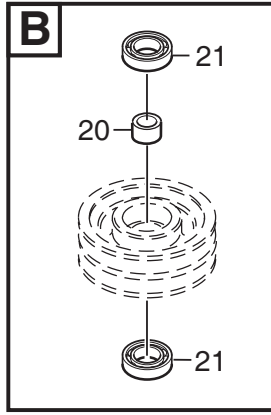
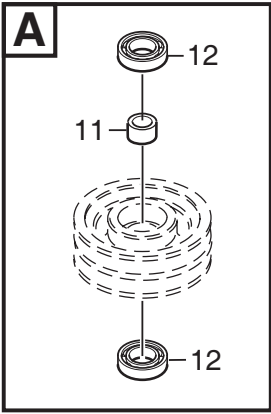
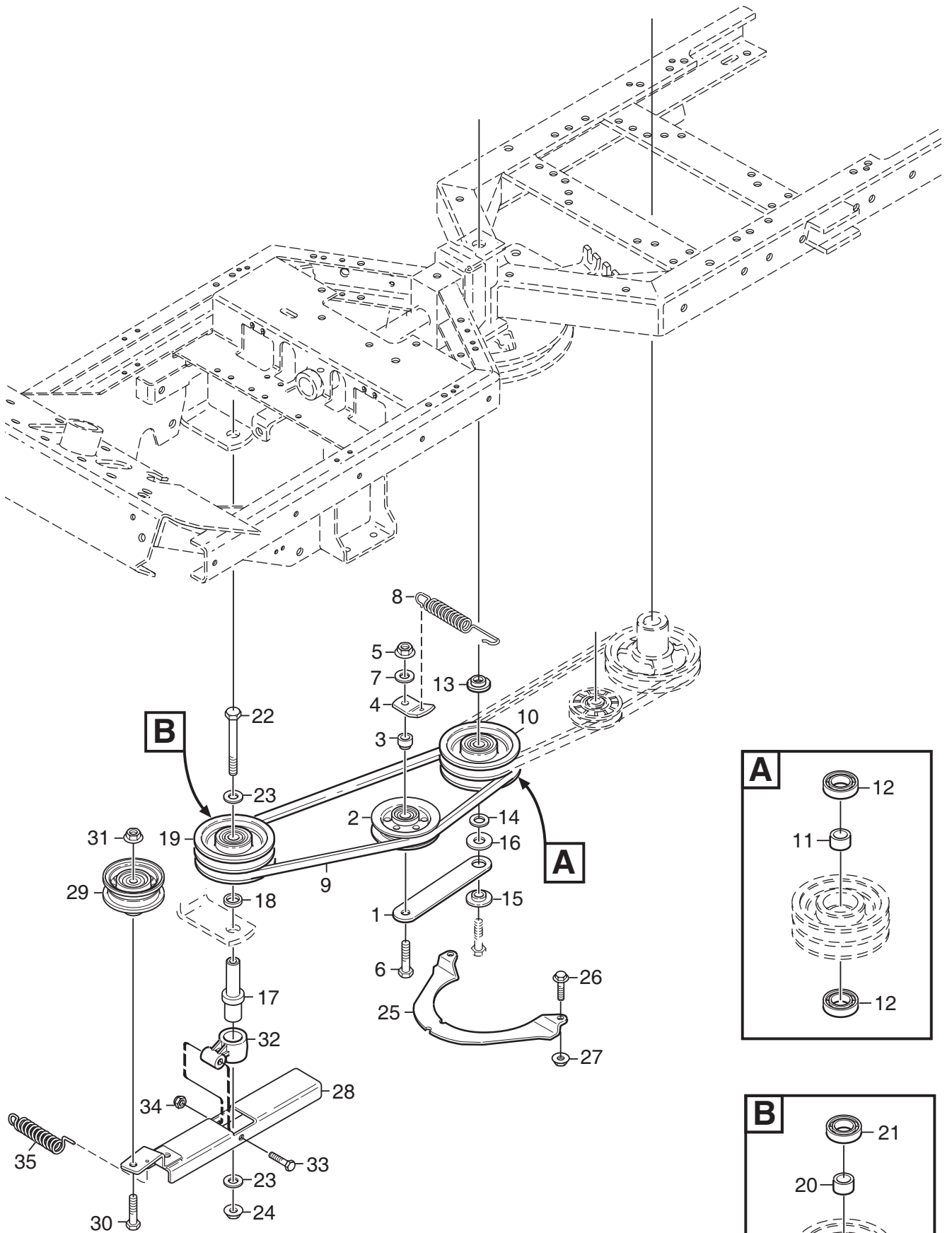


Utgåva Issue		Bildnr Picture No		PARK COMPACT 4WD HJUL		PARK COMPACT 4WD WHEELS		Sida Page	
2010- 11		2029C						56	
Pos. Fig.	Antal/Quantity			Art nr Part No	Benämning	Description	Sats Kit	Anmärkning Notes	
	6104 -21	6111 -61							
1	2	2		1134-4844-03	Hjulnav .....	Wheel hub .....		16 x 7.50 - 8	
2	2	2		1134-3383-02	Kil .....	Key .....			
3	2	2		1134-4558-01	Fälg .....	Rim .....			
4	2	2		9545-0116-00	Däck .....	Tyre .....			
5	2	2		9545-0500-00	Ventil .....	Valve .....			
6	6	6		9731-1031-22	Mutter .....	Nut .....			
9	4	4		1134-5797-01	• Bricka .....	• Washer .....			
10	2	2		9653-0002-04	• Spärryttare .....	• Lock ring .....			
21	2	2		1134-4844-02	Hjulnav .....	Wheel hub .....			
22	2	2		1134-2471-01	Kil .....	Key .....			
23	2	2		1134-4558-01	Fälg .....	Rim .....			
24	2	2		9545-0116-00	Däck .....	Tyre .....	16 x 7.50 - 8		
25	2	2		9545-0500-00	Ventil .....	Valve .....			
26	6	6		9731-1031-22	Mutter .....	Nut .....			
29	2	2		9699-0042-02	Planbricka .....	Flat washer .....			
30	2	2		9653-0001-04	Spärryttare .....	Lock ring .....			
31	2	2		1134-4796-01	Navkapsel .....	Hub cap .....			
32	2	2		9947-0540-19	Skruv .....	Screw .....			
45	1	1		13-0993-61	Snabbfäste kpl .....	Quick connections .....		Inkl. pos 9,10,46-51 Inkl. pos 51-51	
46	1	1		1134-7465-01	• Fästen kpl, vä+hö .....	• Attachment kit, LH+RH .....			
47	2	2		1137-0077-01	• Låssprint .....	• Locking pin .....			
48	4	4		1134-5686-01	• Lagerbussning .....	• Bearing bush .....			
49	2	2		9501-0502-00	• Smörjnippel .....	• Grease joint .....			
50	2	2		9898-1035-16	•• Skruv .....	•• Screw .....			
51	2	2		9739-1031-22	•• Mutter .....	•• Nut .....			
99				9545-0203-00	Innerslang .....	Inner tube .....	Reservdel/spare part		

X

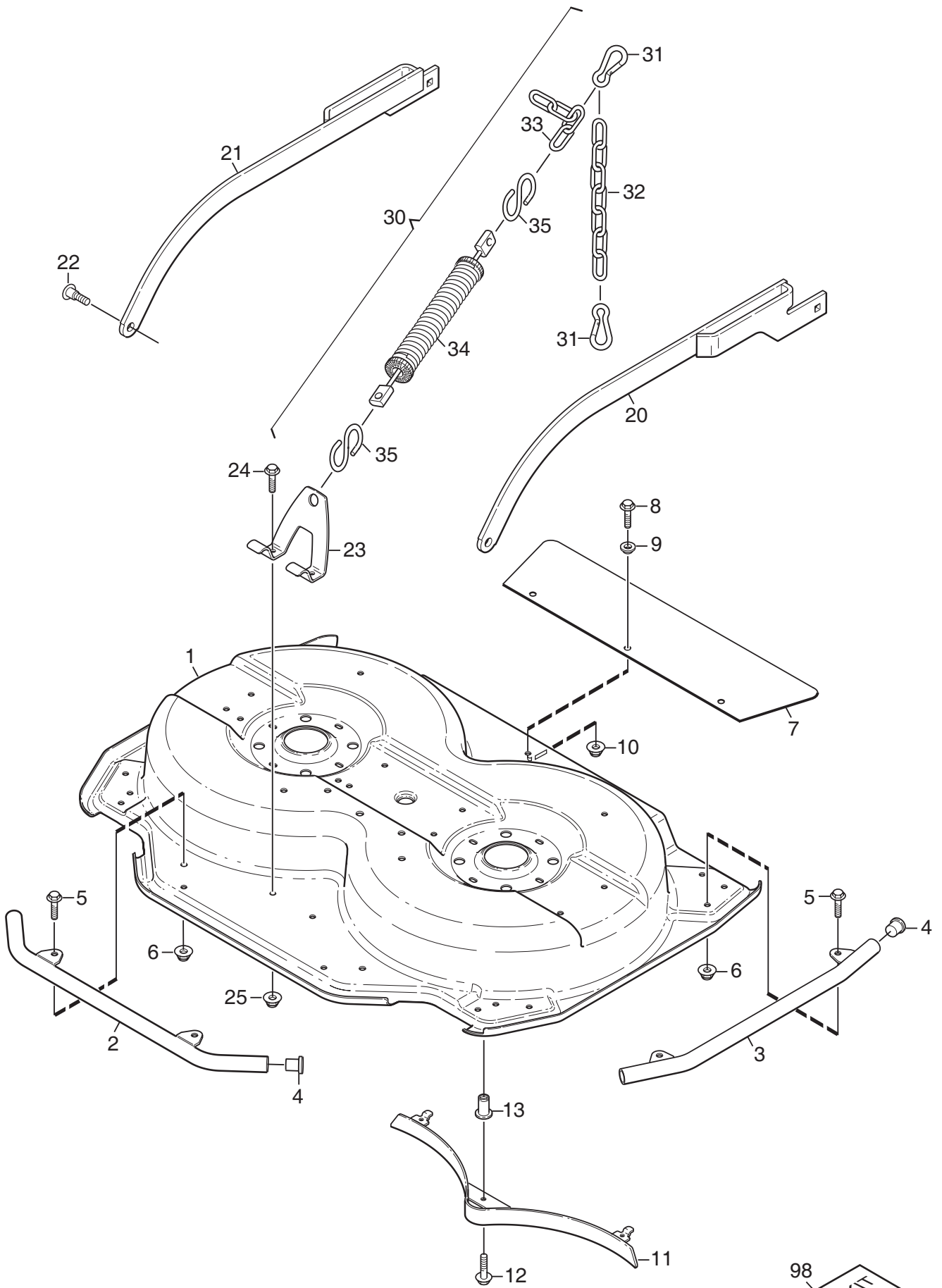


Utgåva Issue		Bildnr Picture No		PARK COMPACT 4WD KRAFTUTTAG 1		PARK COMPACT 4WD POWER TAKE- OFF 1		Sida Page	
2010- 11		2030						58	
Pos. Fig.	Antal/Quantity			Art nr Part No	Benämning	Description	Sats Kit	Anmärkning Notes	
	6104 -21	6111 -61							
1	1	1		1134-2018-02	Spännarm .....	Tension arm .....		= 9585-0129-01	
2	1	1		1134-9027-02	Spännrulle- grå .....	Tension roller- grey .....			
3	1	1		1134-9071-01	Drivrem .....	V- belt .....			
4	1	1		9997-1030-16	Skruv .....	Screw .....			
5	1	1		9799-1031-02	Mutter .....	Nut .....			
6	1	1		1134-4162-01	Bromsstång .....	Brake rod .....			
7	1	1		9675-0008-02	Starlock .....	Locking washer .....			
8	1	1		1134-4170-01	Nippel .....	Nipple .....			
9	1	1		1134-4111-01	Bromsarm .....	Brake arm .....			
10	1	1		1134-4164-03	Bromsklots .....	Brake pad .....			
11	2	2		9699-0035-02	Planbricka .....	Flat washer .....			
12	1	1		9897-0825-16	Skruv .....	Screw .....			
13	1	1		9747-0831-02	Mutter .....	Lock nut .....			
14	1	1		9699-0090-02	Planbricka .....	Flat washer .....			
15	1	1		9699-0025-02	Planbricka .....	Washer .....			
16	1	1		9747-0631-02	Låsmutter .....	Lock nut .....			
17	1	1		4231-0013-00	Fjäder .....	Spring .....			
18	1	1		1134-4231-01	Dragfjäder .....	Spring .....			
19	1	1		1134-1565-10	Distans .....	Spacer .....			
20	1	1		9997-0860-16	Skruv .....	Screw .....			
21	1	1		9699-0056-02	Planbricka .....	Flat washer .....			
22	1	1		9739-0831-22	Mutter .....	Nut .....			
23	1	1		1134-4163-01	Ansatsskruv .....	Shoulder bolt .....			
24	1	1		9699-0035-02	Planbricka .....	Flat washer .....			
25	1	1		9739-1031-22	Mutter .....	Nut .....			
26	1	1		1134-3958-01	Remstyrning .....	Belt guide .....			
27	2	2		9893-0616-16	Skruv .....	Screw .....			
28	1	1		1134-0041-03	Hylsa .....	Collar .....			
29	1	1		9997-1070-12	Skruv .....	Screw .....			
30	1	1		9739-1031-22	Mutter .....	Nut .....			



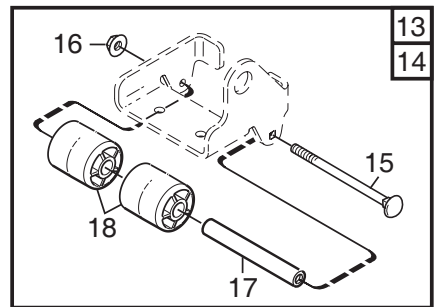
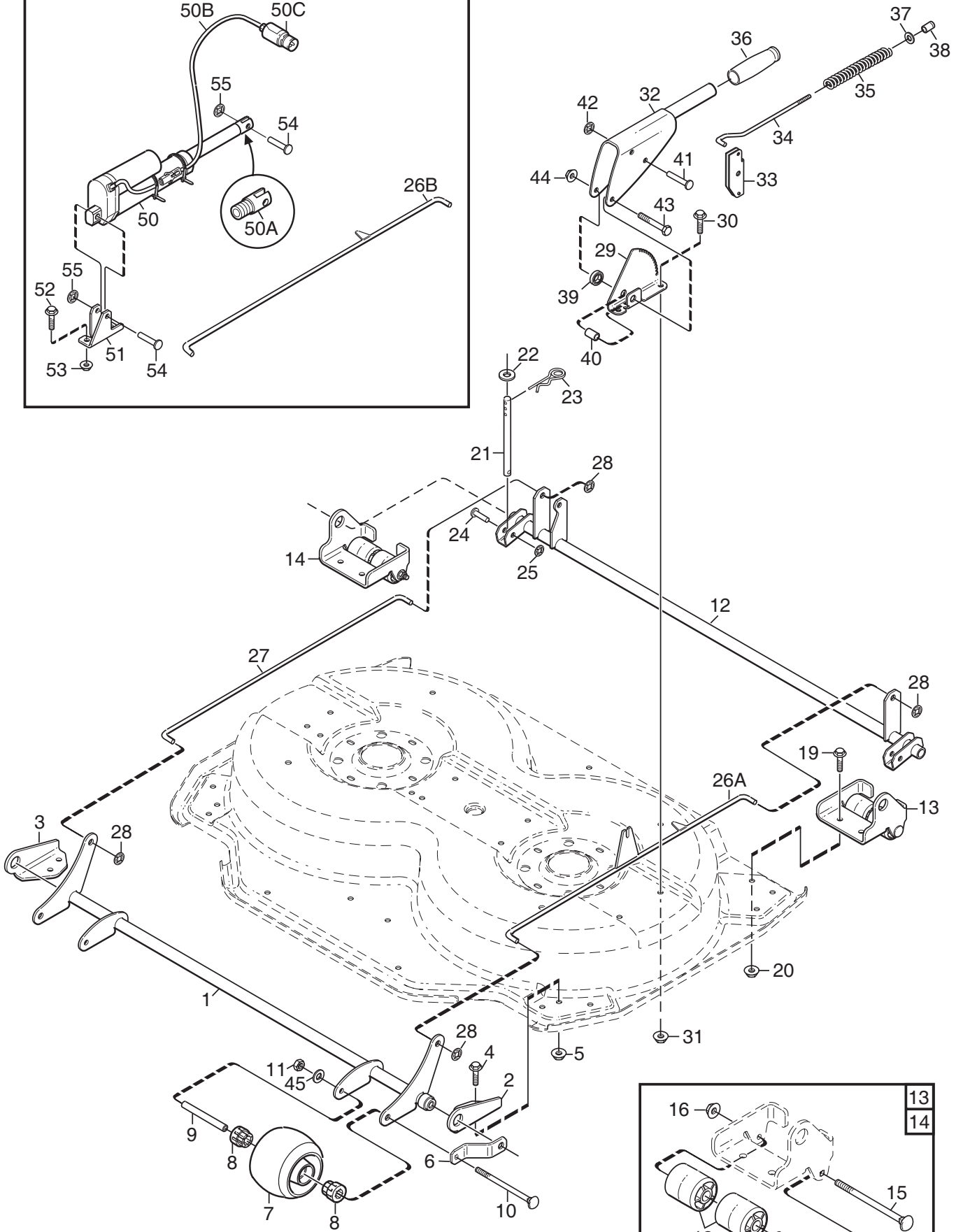
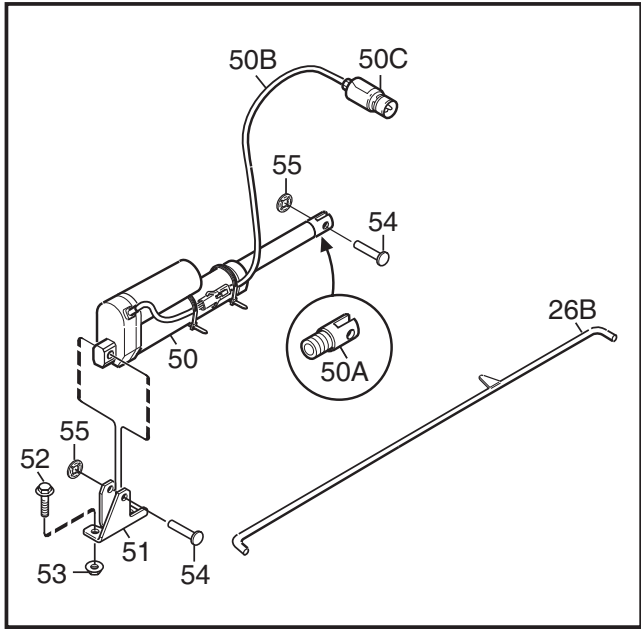
Utgåva Issue 2010- 11		Bildnr Picture No 2031A		PARK COMPACT 4WD KRAFTUTTAG 2		PARK COMPACT 4WD POWER TAKE- OFF 2		Sida Page 60	
Pos. Fig.	Antal/Quantity			Art nr Part No	Benämning	Description	Sats Kit	Anmärkning Notes	
	6104 -21	6111 -61							
1	1	1		1134-1730-01	Spännhjulssarm .....	Tension wheel arm .....		= 9585-0148-01	
2	1	1		1134-3663-01	Spännrulle .....	Tension wheel .....			
3	1	1		1134-1888-05	Distans .....	Spacer .....			
4	1	1		1134-1893-01	Fjäderfäste .....	Spring attachment .....			
5	1	1		9739-1031-22	Mutter .....	Nut .....			
6	1	1		9997-1060-12	Skruv .....	Screw .....			
7	1	1		9699-0035-02	Planbricka .....	Flat washer .....			
8	1	1		1134-5713-01	Dragfjäder .....	Spring .....			
9	1	1		1134-9098-01	Drivrem .....	V- belt .....			
10	1	1		1134-1769-03	Centrumremskiva kpl. ....	Centre pulley assy .....			
11	1	1		1134-0051-09	• Distans .....	• Spacer .....			
12	2	2		9549-0019-00	• Kullager .....	• Ball bearing .....			
13	1	1		1134-5548-01	Distans .....	Spacer .....			
14	1	1		9699-0035-02	Planbricka .....	Flat washer .....			
15	1	1		1134-0222-00	Bricka .....	Washer .....			
16	1	1		9699-0109-02	Planbricka .....	Flat washer .....			
17	1	1		1134-5663-01	Axel .....	Shaft .....			
18	1	1		1134-0052-00	Lagerdistans .....	Bearing spacer .....			
19	1	1		1134-1769-03	Centrumremskiva kpl. ....	Centre pulley assy .....			
20	1	1		1134-0051-09	• Distans .....	• Spacer .....			
21	2	2		9549-0019-00	• Kullager .....	• Ball bearing .....			
22	1	1		9997-1011-06	Skruv .....	Screw .....			
23	2	2		9699-0030-02	Planbricka .....	Flat washer .....			
24	1	1		9739-1031-22	Mutter .....	Nut .....			
25	1	1		1134-3654-01	Fingerskydd .....	Finger guard .....			
26	2	2		9959-0612-16	Skruv .....	Screw .....			
27	2	2		9739-0631-22	Mutter .....	Nut .....			
28	1	1		1134-5660-01	Spännarm .....	Tension arm .....			
29	1	1		1134-5823-01	Spännrulle .....	Tension roller .....			
30	1	1		9997-1050-16	Skruv .....	Screw .....			
31	1	1		9739-1031-22	Mutter .....	Nut .....			
32	1	1		1134-6314-01	Spännarmsfäste .....	Attachment .....			
33	1	1		9997-0645-12	Skruv .....	Screw .....			
34	1	1		9747-0631-02	Låsmutter .....	Lock nut .....			
35	1	1		1134-5824-01	Fjäder .....	Spring .....			



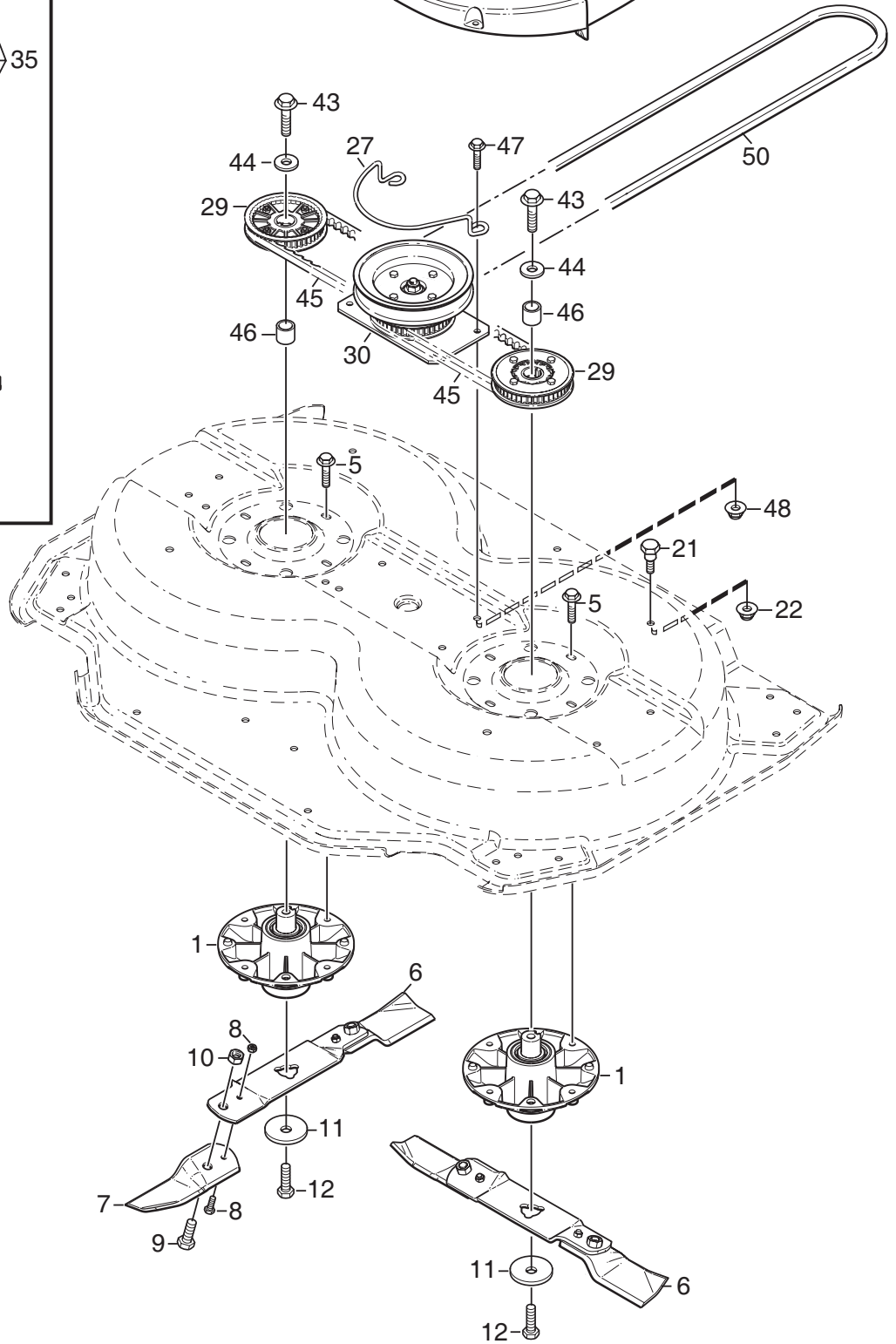
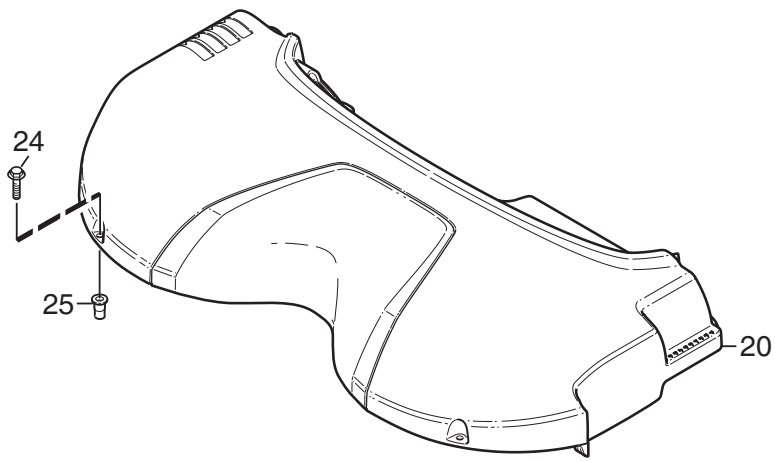
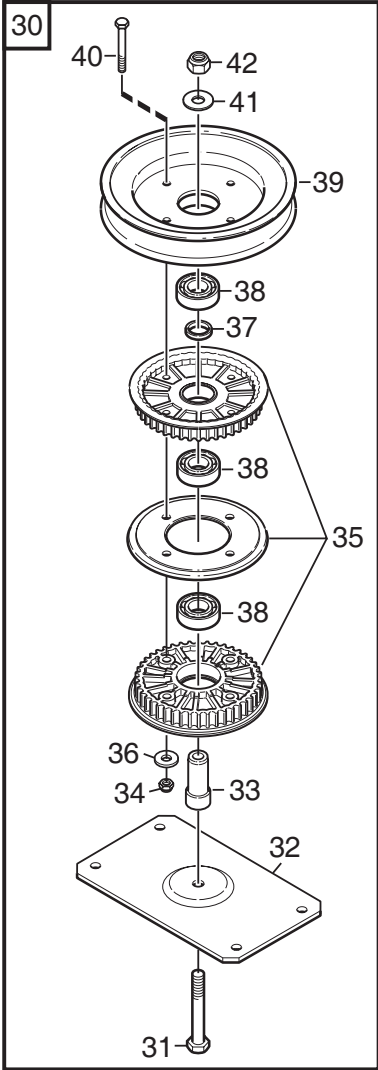


Utgåva Issue 2010- 11		Bildnr Picture No 2214A		PARK KLIPPAGGREGAT 95 COMBI RAM		PARK MOWER DECK 95 COMBI FRAME		Sida Page 178	
Pos. Fig.	Antal/Quantity				Art nr Part No	Benämning	Description	Sats Kit	Anmärkning Notes
	2964 -34 2967 -34	2964 -54							
1	1				1134-6190-01	Kåpa- gul .....	Casing- yellow .....		Inkl. pos 13 (3 st) Inkl. pos 13 (3 st)
1		1			1134-6190-03	Kåpa- röd .....	Casing- red .....		
2	1				1134-6208-01	Frontskydd- grå .....	Front guard tube- grey .....		
2		1			1134-6208-02	Frontskydd- svart .....	Front guard tube- bl. ....		
3	2				1134-6222-01	Sidoskydd- grå .....	Side guard tube- grey .....		
3		2			1134-6222-02	Sidoskydd- svart .....	Side guard tube- black .....		
4		6			9403-0025-70	Ändplugg- svart .....	End cap- black .....		
4	6				9403-0025-80	Ändplugg- grå .....	End cap- grey .....		
5	6	6			9959-0816-16	Skruv .....	Screw .....		
6	6	6			9739-0831-22	Mutter .....	Nut .....		
7	1	1			1134-6281-02	Gummiskydd .....	Rubber guard .....		
8	3	3			9959-0816-16	Skruv .....	Screw .....		
9	3	3			1134-4185-01	Ansatsbricka .....	Flange washer .....		
10	3	3			9739-0831-22	Mutter .....	Nut .....		
11	1	1			1134-6229-01	Kombiplugg .....	Mulching plug .....		
12	1	1			9959-0816-16	Skruv .....	Screw .....		
13	3	3			1134-5595-01	• Nitmutter .....	• Riveting nut .....		
20	1				1134-6237-03	Aggregatsarm- vä, grå .....	Deck arm- LH, grey .....		
20		1			1134-6237-09	Aggregatsarm- vä, sv. ....	Deck arm- LH, black .....		
21	1				1134-6237-04	Aggregatsarm- hö, grå .....	Deck arm- RH, grey .....		
21		1			1134-6237-10	Aggregatsarm- hö, sv. ....	Deck arm- RH, black .....		
22	2	2			1134-6279-01	Ansatsskruv .....	Shoulder bolt .....		
23	1				1134-6315-01	Lyftfäste- grå .....	Lift bracket- grey .....		
23		1			1134-6315-02	Lyftfäste- svart .....	Lift bracket- black .....		
24	2	2			9959-0816-16	Skruv .....	Screw .....		
25	2	2			9739-0831-22	Mutter .....	Nut .....		
30	1	1			1134-6362-01	Lyftfjäder kpl .....	Lift spring assy .....		Inkl. pos 31 - 35
31	2	2			1134-5528-01	• Karbinhake .....	• Snap hook .....		
32	1	1			1134-6368-02	• Kedja .....	• Chain .....		7 links
33	1	1			1134-6368-01	• Kedja .....	• Chain .....		4 links
34	1	1			1134-6365-03	• Lyftfjäder .....	• Lift spring .....		
35	2	2			1134-4623-01	• S- krok .....	• S- hook .....		
98	1	1			1134-5594-02	Dekalsats .....	Label kit .....		
99	1				8211-7000-90	Bruksanvisning .....	Owner's manual .....		Ej ill/not ill.
99	1				8211-7007-90	Bruksanvisning .....	Owner's manual- baltic .....		Ej ill/not ill.

X



Utgåva Issue 2010- 11		Bildnr Picture No 2132		PARK KLIPPAGGREGAT 95 COMBI REGLAGE		PARK MOWER DECK 95 COMBI CONTROLS		Sida Page 180	
Pos. Fig.	Antal/Quantity			Art nr Part No	Benämning	Description	Sats Kit	Anmärkning Notes	
	2964 -34	2967 -34	2964 -54						
1	1	1		1134-6275-01	Framaxel- gul .....	Front axle- yellow .....			
1			1	1134-6275-02	Framaxel- svart .....	Front axle- black .....			
2	1	1		1134-6214-01	Fäste fram- vä, gul .....	Bracket fr- LH, yellow .....			
2			1	1134-6214-03	Fäste fram- vä, svart .....	Bracket fr- LH, black .....			
3	1	1		1134-6214-02	Fäste fram- hö, gul .....	Bracket fr- RH, yellow .....			
3			1	1134-6214-04	Fäste fram- hö, svart .....	Bracket fr- RH, black .....			
4	4	4	4	9959-0816-16	Skruv .....	Screw .....			
5	4	4	4	9739-0831-22	Mutter .....	Nut .....			
6	2	2		1134-6278-01	Avbärare- grå .....	Guide- grey .....			
6			2	1134-6278-02	Avbärare- svart .....	Guide- black .....			
7	2	2	2	1134-4284-01	Hjul .....	Wheel .....			
8	4	4	4	1134-4319-01	Lager .....	Bearing .....			
9	2	2	2	1134-4318-01	Hylsa .....	Wheel axle .....			
10	2	2	2	9897-0813-02	Skruv .....	Screw .....			
11	2	2	2	9747-0831-02	Mutter .....	Lock nut .....			
12	1	1		1134-6197-01	Bakaxel- gul .....	Rear axle- yellow .....			
12			1	1134-6197-02	Bakaxel- svart .....	Rear axle- black .....			
13	1	1	1	1134-6282-01	Rulle- vä, m- fäste .....	Roller- LH, w/bracket .....		Inkl. pos 15 - 18	
14	1	1	1	1134-6282-02	Rulle- hö, m- fäste .....	Roller- RH, w/bracket .....		Inkl. pos 15 - 18	
15	1	1	1	9897-0813-02	• Skruv .....	• Screw .....			
16	1	1	1	9739-0831-22	• Mutter .....	• Nut .....			
17	1	1	1	1134-4318-01	• Hylsa .....	• Wheel axle .....			
18	1	1	1	1134-9126-01	• Rulle .....	• Roller .....		Sats 2 st/kit of 2	
19	4	4	4	9959-0816-16	Skruv .....	Screw .....			
20	4	4	4	9739-0831-22	Mutter .....	Nut .....			
21	2	2	2	1134-6198-01	Pinne .....	Stud .....			
22	2	2	2	9699-0104-02	Bricka .....	Washer .....			
23	2	2	2	9598-2001-02	Låsnål .....	Spring pin .....			
24	2	2	2	9646-0098-22	Nit .....	Rivet .....			
25	2	2	2	9675-0012-02	Starlock .....	Locking washer .....			
26A	1		1	1134-6249-02	Tryckstång- vä .....	Push rod- LH .....			
26B		1		1134-6250-02	Tryckstång- vä .....	Push rod- LH .....			
27	1	1	1	1134-6246-02	Tryckstång- hö .....	Push rod- RH .....			
28	4	4	4	9675-0015-02	Starlock .....	Lock washer .....			
29	1		1	1134-6255-01	Höjdinst.segment .....	Height adj. quadrant .....			
30	2		2	9959-0816-16	Skruv .....	Screw .....			
31	2		2	9739-0831-22	Mutter .....	Nut .....			
32	1			1134-6244-01	Höjdinst.spak- grå .....	Height adj.lever- grey .....			
32			1	1134-6244-02	Höjdinst.spak- svart .....	Height adj.lever- bl. .....			
33	1		1	1134-6254-01	Spärr .....	Catch .....			
34	1		1	1134-5444-01	Tryckstång .....	Push rod .....			
35	1		1	1134-5445-01	Fjäder .....	Spring .....			
36	1		1	1134-5503-01	Handtag .....	Handle .....			
37	1		1	9699-0087-02	Planbricka .....	Flat washer .....			
38	1		1	1134-3051-01	Spärrknapp .....	Locking knob .....			
39	1		1	1134-6286-03	Distans .....	Spacer .....			
40	1		1	1134-1565-16	Distans .....	Spacer .....			
41	2		2	9646-0105-22	Nit .....	Rivet .....			
42	2		2	9672-0006-02	Starlock .....	Lock washer .....			
43	1		1	9997-0850-16	Skruv .....	Screw .....			
44	1		1	9747-0831-02	Mutter .....	Lock nut .....			
45	2	2	2	9699-0028-02	Planbricka .....	Flat washer .....			
50		1		1134-6417-01	Ställdon .....	Actuator .....			
50A		1		1134-6373-01	• Kolvstångsända .....	• Rod end .....			
50B		1		1134-6418-02	• Kabel .....	• Cable .....		L = 490 mm	
50C		1		1134-6182-01	• • Hankontakt .....	• • Male terminal .....			
51		1		1134-6192-01	Fäste .....	Bracket .....			
52		2		9959-0816-16	Skruv .....	Screw .....			
53		2		9739-0831-22	Mutter .....	Nut .....			
54		2		9646-0098-22	Nit .....	Rivet .....			
55		2		9675-0012-02	Starlock .....	Locking washer .....			



Utgåva Issue 2010- 11		Bildnr Picture No 2134B		PARK KLIPPAGGREGAT 95 COMBI TRANSMISSION		PARK MOWER DECK 95 COMBI TRANSMISSION		Sida Page 182	
Pos. Fig.	Antal/Quantity				Art nr Part No	Benämning	Description	Sats Kit	Anmärkning Notes
	2964 -34 2967 -34	2964 -54							
	1	2	2		1134-5831-01	Lagerbox kpl.....	Bearing box assy.....		
	5	8	8		9945-0825-16	Skruv.....	Screw.....		
	6	1	1		1134-9117-01	Knivbalk kpl.....	Blade bar assy.....		Sats 2 st/kit of 2
	7	1	1		1134-9119-01	• Knivsats kpl.....	• Blade kit.....		2 knivar/2 blade tips
	8	1	1		1134-9054-01	•• Brytbultsats.....	•• Shear bolt kit.....		
	9	2	2		1134-6311-01	•• Bult.....	•• Bolt.....		7/16" UNF
	10	2	2		1134-6312-01	•• Låsmutter.....	•• Lock nut.....		7/16" UNF
	11	2	2		1134-6211-01	Knivbricka.....	Blade washer.....		
	12	2	2		9997-1060-12	Skruv.....	Screw.....		
	20	1			1134-6280-01	Transm.kåpa- grå.....	Transm.cover- grey.....		
	20		1		1134-6280-03	Transm.kåpa- grå.....	Transm.cover- grey.....		
	21	2	2		1134-0240-01	Ansattsskruv.....	Shoulder screw.....		
	22	2	2		9739-0831-22	Mutter.....	Nut.....		
	24	2	2		9945-0825-16	Skruv.....	Screw.....		
	25	2	2		1134-5595-01	Nitmutter.....	Riveting nut.....		
	27	1	1		1134-6431-01	Remstyrning.....	Belt guide.....		
	29	1	1		1134-9127-01	Kuggremskiva m.nav.....	Belt pulley w/hub.....		Sats 2 st/kit of 2
X	30	1	1		1137-0116-01	Remskiva kpl.....	Belt pulley assy.....		Inkl. pos 31 - 42
	31	1	1		9997-1070-12	• Skruv.....	• Screw.....		
	32	1	1		1134-6209-01	• Fästplåt.....	• Bracket.....		
X	33	1	1		1134-6205-02	• Tapp.....	• Shaft.....		
	34	4	4		9747-0631-02	• Låsmutter.....	• Lock nut.....		
X	35	1	1		1134-9128-02	• Kuggremskiva.....	• Belt pulley.....		
	36	4	4		9699-0060-02	• Planbricka.....	• Flat washer.....		
X	37	1	1		1134-3725-06	• Distans.....	• Spacer.....		H = 1.5 mm
	38	3	3		9549-0019-00	• Kullager.....	• Ball bearing.....		
X	39	1	1		1137-0117-01	• Remskiva.....	• Belt pulley.....		Ø = 154 mm
	40	4	4		9997-0650-12	• Skruv.....	• Screw.....		
	41	1	1		9699-0030-02	• Planbricka.....	• Flat washer.....		
	42	1	1		9731-1031-22	• Mutter.....	• Nut.....		
	43	2	2		9997-1060-12	Skruv.....	Screw.....		
	44	2	2		1134-5406-01	Bricka.....	Washer.....		
	45	2	2		9585-0164-01	Kuggrem.....	Toothed belt.....		
	46	2	2		1134-5400-04	Distans.....	Spacer.....		
	47	4	4		9959-0820-16	Skruv.....	Screw.....		
	48	4	4		9739-0831-22	Mutter.....	Nut.....		
X	50	1	1		1134-9147-01	Drivrem (4WD).....	V- belt (4WD).....		= 9585-0197-01
X	50	1	1		1134-9148-01	Drivrem (2WD).....	V- belt (2WD).....		= 9585-0198-01