

STIGA

Reservdelskatalog Parts Catalogue

VILLA 8E

13-2857-17 - Season 1994

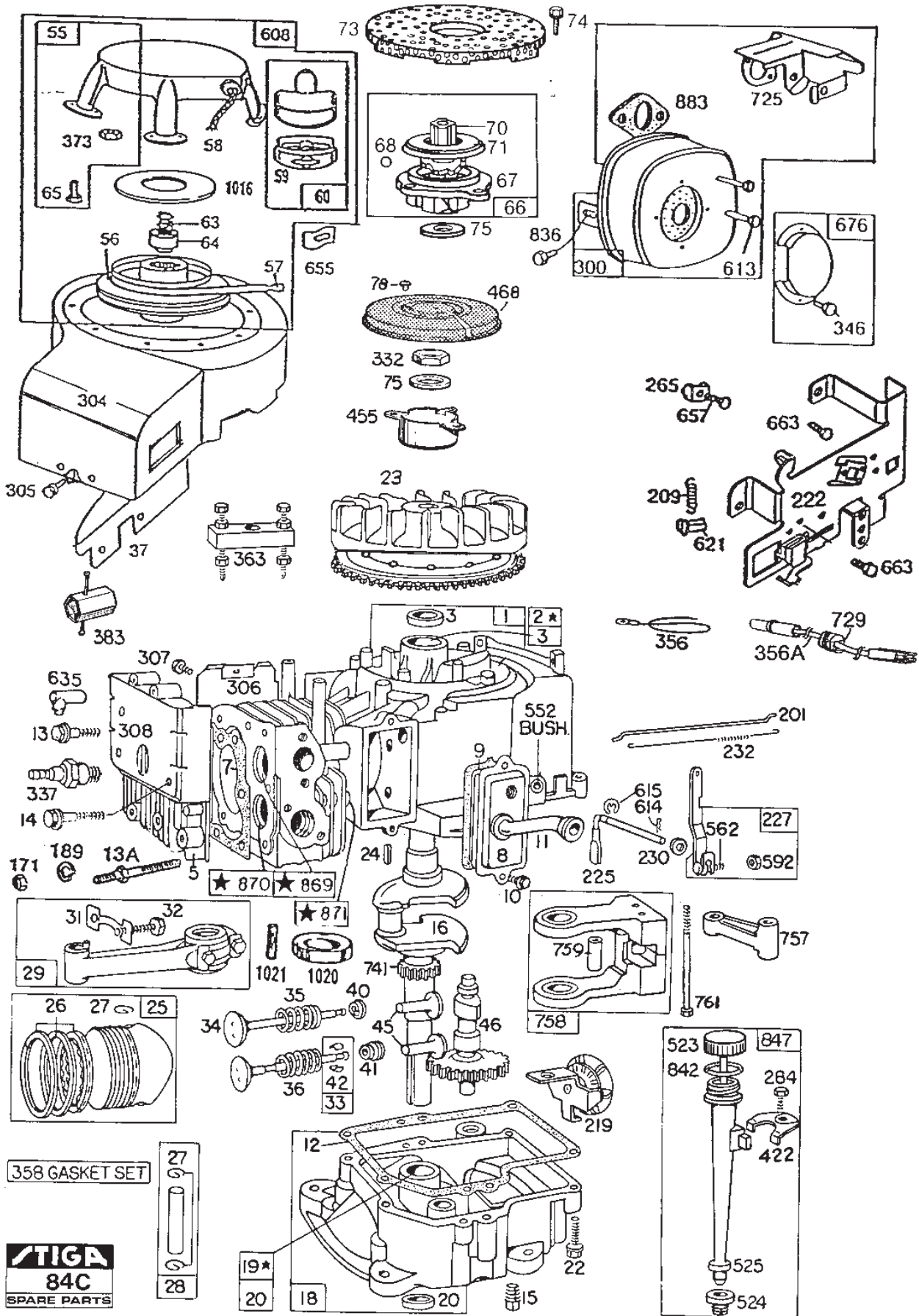
- Use GLOBAL GARDEN PRODUCT Genuine Spare Parts specified in the parts list for repair and/or replacement.
 - The contents described in the parts list may change due to improvement.
 - The drawings of the spare parts are only indicative and might not represent the part in question exactly.
 - The indications "right" - "left" - "front" - "rear" refer to the position of the operator when using the machine.
- When placing orders of parts for repair and/or replacement, make sure that the illustrated parts list is the one applying to the machine's year of manufacture, as shown on the identification plate attached to the machine.

© Copyright 2014 Global Garden Products

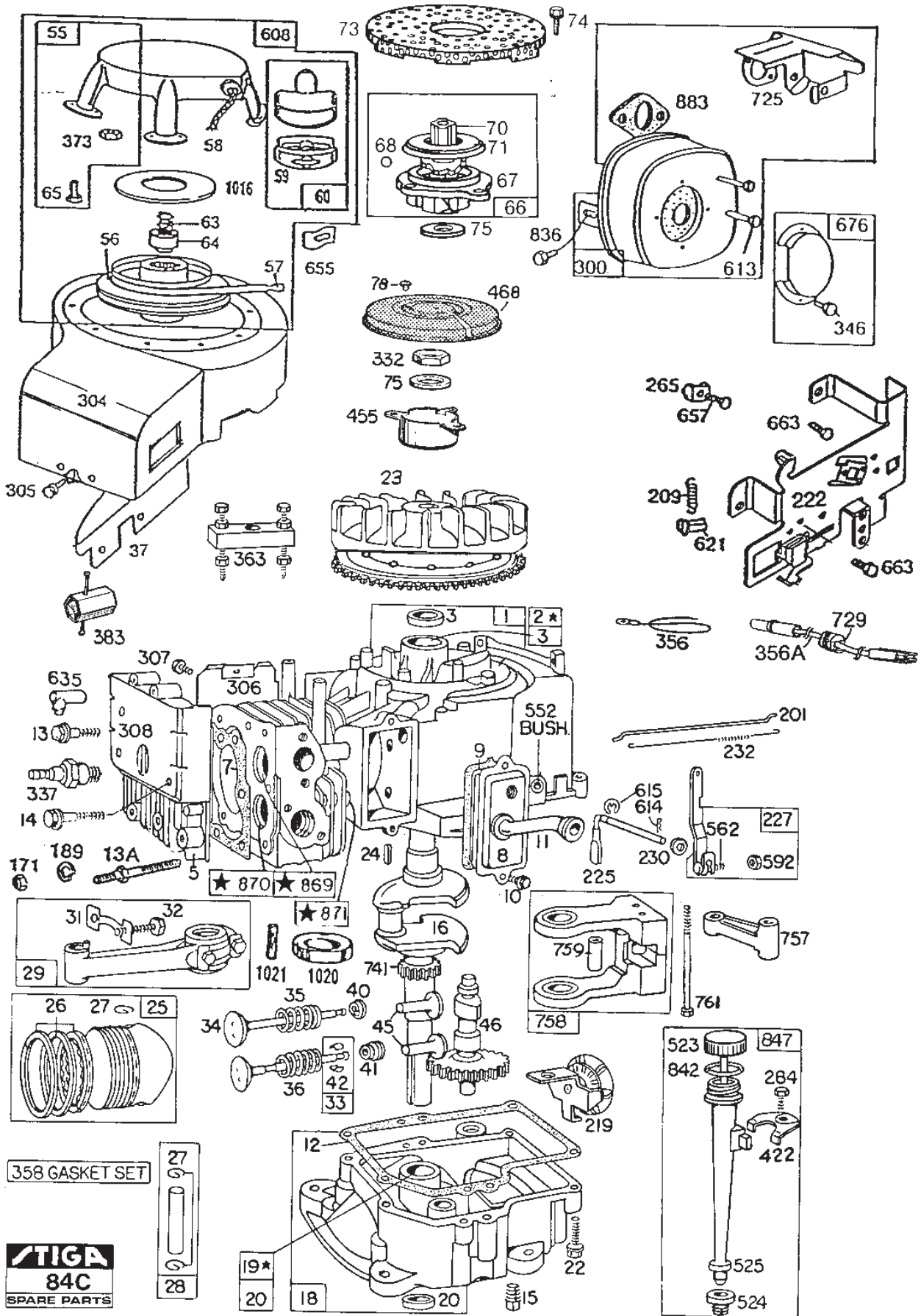
All rights reserved. No part of this material may be reproduced or transmitted, in any form or by any means, electronic or mechanical, including photocopying, recording or by any information storage and retrieval system, without permission in writing from GLOBAL GARDEN PRODUCTS.

www.stiga.com

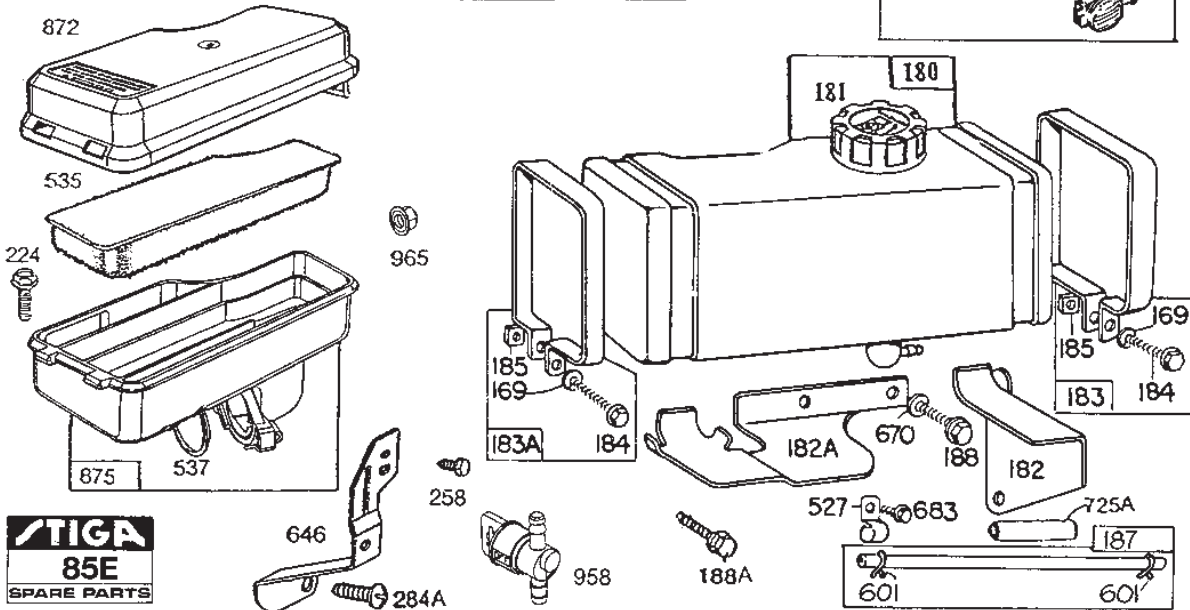
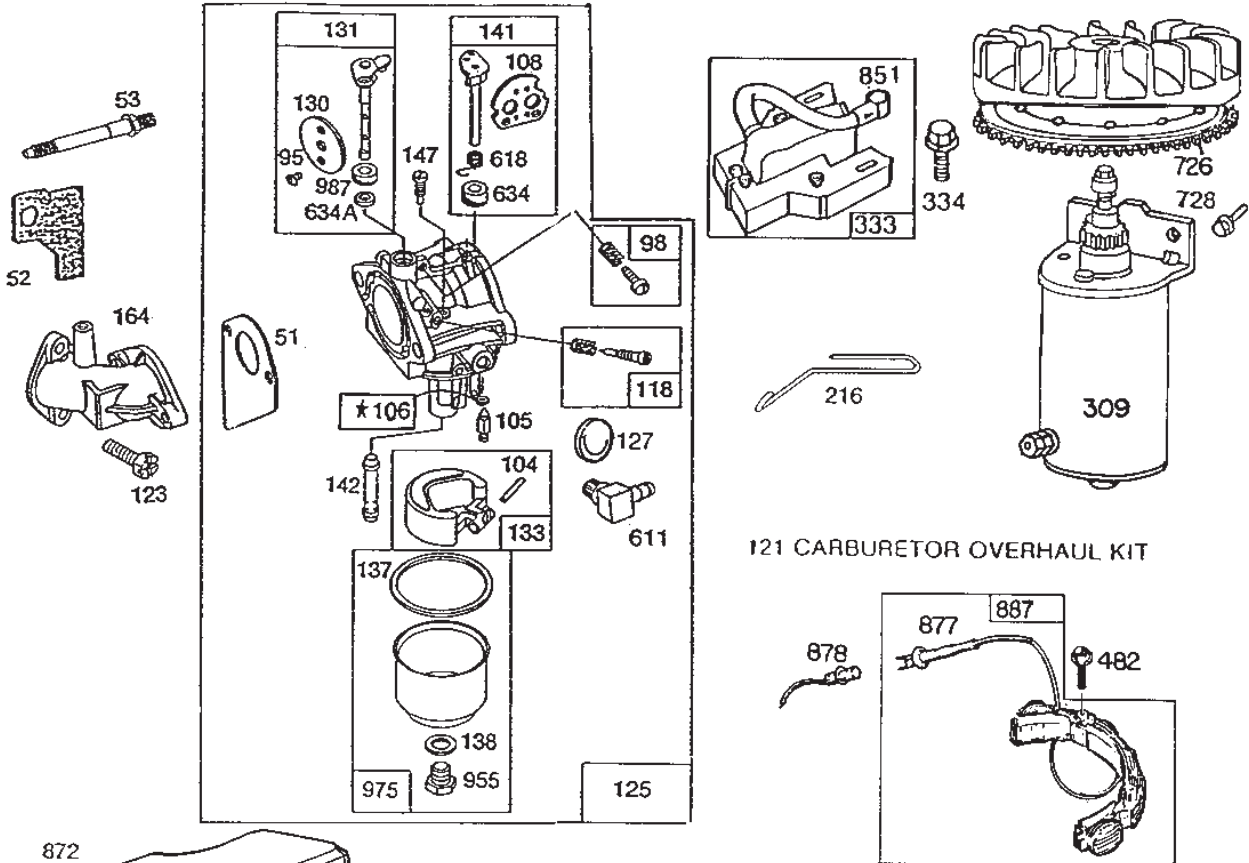
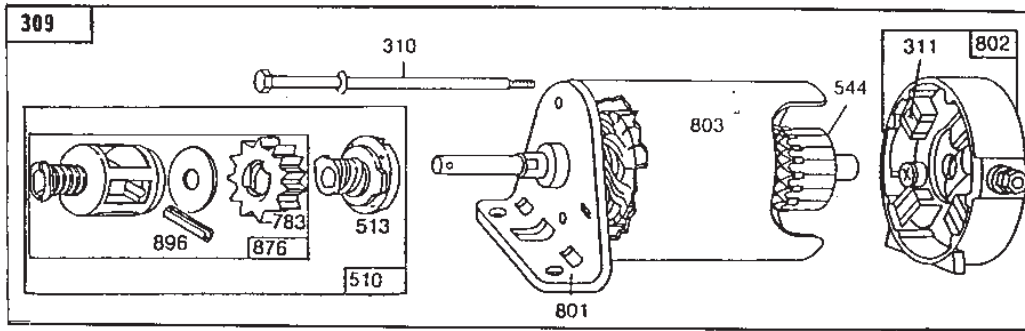
| Utgåva Issue 41 - 2014 | | Cylinder Vevhus | Cylinder Crankcase | | |
|------------------------------|-------------------|-------------------|--------------------------|----------------------|---------------------|
| Pos. Fig. | Antal Quantity | Art nr Part No | Benämning | Description | Anmärkning Notes |
| 1 | 1 | 396269 | Cylinder | Cylinder | |
| 2 | 1 | 399267 | Bearing | Bearing | |
| 3 | 1 | 294606 | Oil seal | Oil seal | |
| 5 | 1 | 212286 | Topplöck | Cylinder Head | |
| 7 | 1 | 272163 | Packning | Gasket | |
| 8 | 1 | 391406 | Vevhusventilation | Breather | |
| 9 | 1 | 27803 | Packning | Gasket | |
| 10 | 2 | 93394 | Skruv | Screw | |
| 11 | 1 | 280005 | Rör | Tube | |
| 12 | 1 | 271701 | Packning | Gasket | |
| 13 | 6 | 94565 | Skruv | Screw | |
| 13 | 2 | 93776 | Stud | Stud | |
| 14 | 1 | 93723 | Skruv | Screw | |
| 15 | 1 | 94239 | Oil drain plug | Oil drain plug | |
| 16 | 1 | 396876 | Crankshaft | Crankshaft | |
| 18 | 1 | 392548 | Vevhus | Oil sump | |
| 19 | 1 | 295963 | Bussning | Bushing | |
| 20 | 1 | 391086 | Tätningring | Seal | |
| 22 | 6 | 93585 | Skruv | Screw | |
| 23 | 1 | 298260 | Flywheel | Flywheel | |
| 23 | 1 | 391983 | Flywheel | Flywheel | |
| 24 | 1 | 222698 | Kil | Key | |
| 25 | 1 | 391673 | Kolv | Piston | |
| 26 | 1 | 391669 | Ring set | Ring set | |
| 27 | 2 | 68546 | Låsring | Lock | |
| 28 | 1 | 295840 | Kolvsprint | Piston Pin | |
| 29 | 1 | 390402 | Connecting Rod | Connecting Rod | |
| 31 | 1 | 222114 | Låsbleck | Lock | |
| 32 | 2 | 92659 | Skruv | Screw | |
| 33 | 1 | 390419 | Exhaust valve | Exhaust valve | |
| 34 | 1 | 261055 | Insugningsventil | Intake valve | |
| 35 | 1 | 65906 | Ventilfjäder-insug | Valve spring-intake | |
| 36 | 1 | 26828 | Ventilfjäder-utblås | Valve spring-exhaust | |
| 37 | 1 | 222475 | Guard | Guard | |
| 40 | 1 | 221596 | Hållare | Retainer | |
| 41 | 1 | 292260 | Rotator | Rotocoil | |
| 42 | 2 | 93630 | Hållare | Retainer | |
| 45 | 2 | 260933 | Valve tappet | Valve tappet | |
| 46 | 1 | 211689 | Kamaxel | Camshaft | |
| 55 | 1 | 393576 | Starthus | Housing | |
| 56 | 1 | 295871 | Pulley | Pulley | |
| 57 | 1 | 490179 | Fjäder | Spring | |
| 58 | 1 | 1111-1580-02 | Startsnöre (Från 5 Hk) S | Starter Rope >5Hp | |
| 59 | 1 | 490653 | Inlägg | Insert | |
| 60 | 1 | 490652 | Starter Grip | Starter Grip | |
| 63 | 1 | 260414 | Fjäder | Spring | |
| 64 | 1 | 230543 | Adapter | Adapter | |
| 65 | 4 | 94128 | Skruv | Screw | |
| 66 | 1 | 399671 | Starter clutch | Starter clutch | |



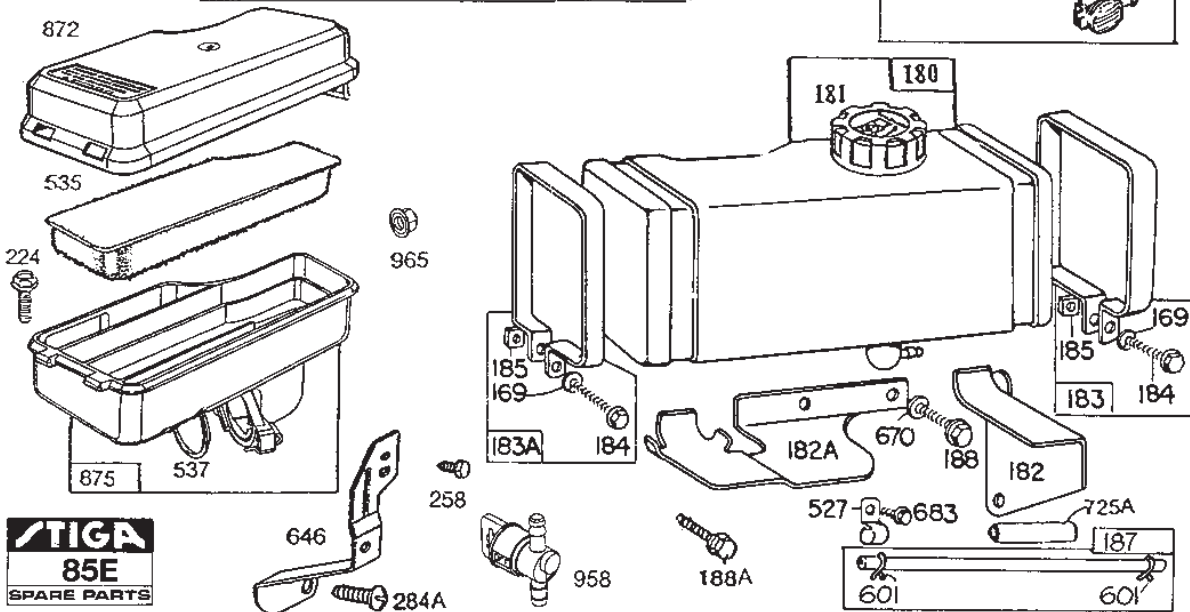
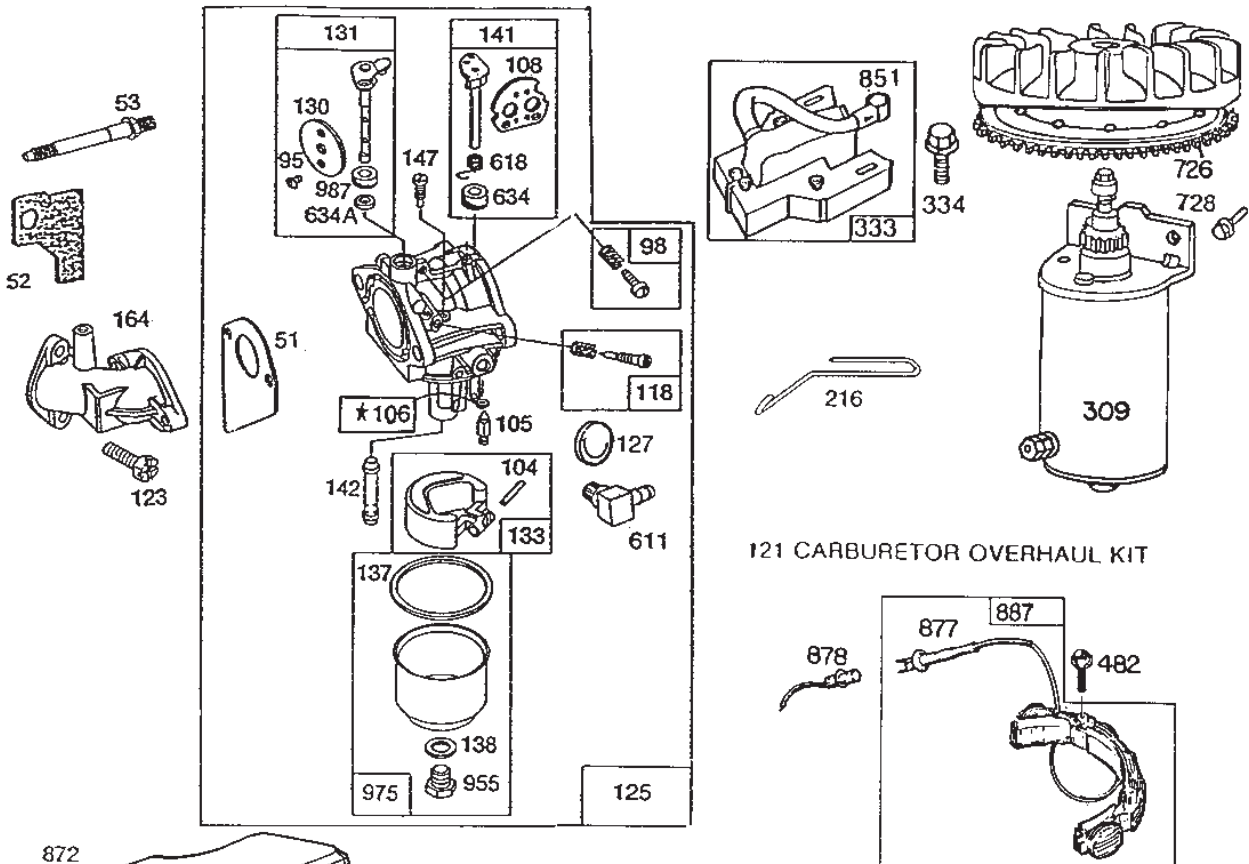
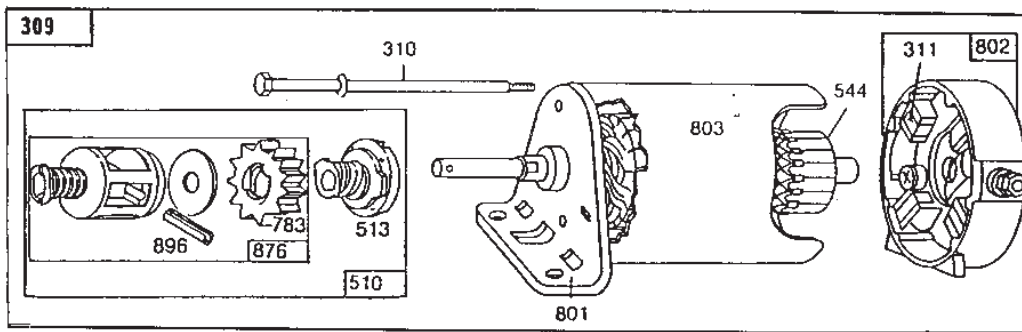
| Utgåva Issue 41 - 2014 | | Cylinder Vevhus | Cylinder Crankcase | | |
|------------------------------|-------------------|-------------------|--------------------------------|---------------------------------|---------------------|
| Pos. Fig. | Antal Quantity | Art nr Part No | Benämning | Description | Anmärkning Notes |
| 67 | 1 | 394897 | Kopplingshus | Clutch Housing | |
| 68 | 3 | 63770 | Kula | Ball | |
| 70 | 1 | 298799 | Startspärr | Ratchet | |
| 71 | 1 | 394506 | Bricka | Washer | |
| 73 | 1 | 221796 | Nät | Screen | |
| 74 | 3 | 93758 | Skruv | Screw | |
| 75 | 1 | 224061 | Bricka | Washer | |
| 78 | 3 | 93805 | Skruv | Screw | |
| 171 | 2 | 94314 | Mutter | Nut | |
| 189 | 2 | 94315 | Bricka | Washer | |
| 201 | 1 | 262769 | Governor link | Governor link | |
| 209 | 1 | 260871 | Fjäder | Spring | |
| 219 | 1 | 491397 | Oil slinger gear | Oil slinger gear | |
| 222 | 1 | 494887 | Governor plate | Governor plate | |
| 225 | 1 | 231058 | Regulatoraxel | Governor crank | |
| 227 | 1 | 493935 | Arm | Lever | |
| 230 | 1 | 222450 | Bricka | Washer | |
| 232 | 1 | 262787 | Fjäder | Spring | |
| 265 | 1 | 221535 | Klämman | Clamp | |
| 284 | 1 | 94419 | Skruv | Screw | |
| 300 | 1 | 398507 | Ljuddämpare | Muffler | |
| 304 | 1 | 494084 | Blower housing | Blower housing | |
| 304 | 1 | 494731 | Blower housing | Blower housing | |
| 305 | 4 | 94608 | Skruv | Screw | |
| 306 | 1 | 224543 | Shield | Shield | |
| 307 | 1 | 93949 | Skruv | Screw | |
| 308 | 1 | 222636 | Cover | Cover | |
| 332 | 1 | 92284 | Mutter | Nut | |
| 337 | 1 | 1111-9028-02 | Tändstift (J19Lm) | Spark Plug (J19Lm) | Champion J19LM |
| 337 | 1 | 9400-0225-00 | Tändstift (J19Lm) | Spark Plug (J19Lm) | Champion J19LM |
| 346 | 2 | 93705 | Skruv | Screw | |
| 356 | 1 | 494328 | Ground wire | Ground wire | |
| 356 | 1 | 398808 | Kortslutningskabel | Ground wire | |
| 358 | 1 | 299577 | Packningssats | Gasket set | |
| 363 | 1 | 19165 | Flywheel puller | Flywheel puller | Tillbehör/Accessory |
| 373 | 4 | 92987 | Mutter | Nut | |
| 383 | 1 | 1111-9029-01 | Tändstiftsnyckel (19 Mm-21 Mm) | Spark Plug Wrench (19 Mm-21 Mm) | Tillbehör/Accessory |
| 422 | 1 | 223394 | Clamp | Clamp | |
| 455 | 1 | 222561 | Kopp | Cup | |
| 468 | 1 | 222562 | Nät | Screen | |
| 523 | 1 | 391840 | Oil dipstick | Oil dipstick | |
| 524 | 1 | 68838 | Tätning | Seal | |
| 525 | 1 | 280133 | Rör | Tube | |
| 552 | 1 | 491986 | Bussning | Bushing | |
| 562 | 1 | 92613 | Skruv | Screw | |
| 592 | 1 | 231082 | Mutter | Nut | |
| 608 | 1 | 390391 | Starter assy | Starter assy | |
| 613 | 2 | 94042 | Skruv | Screw | |



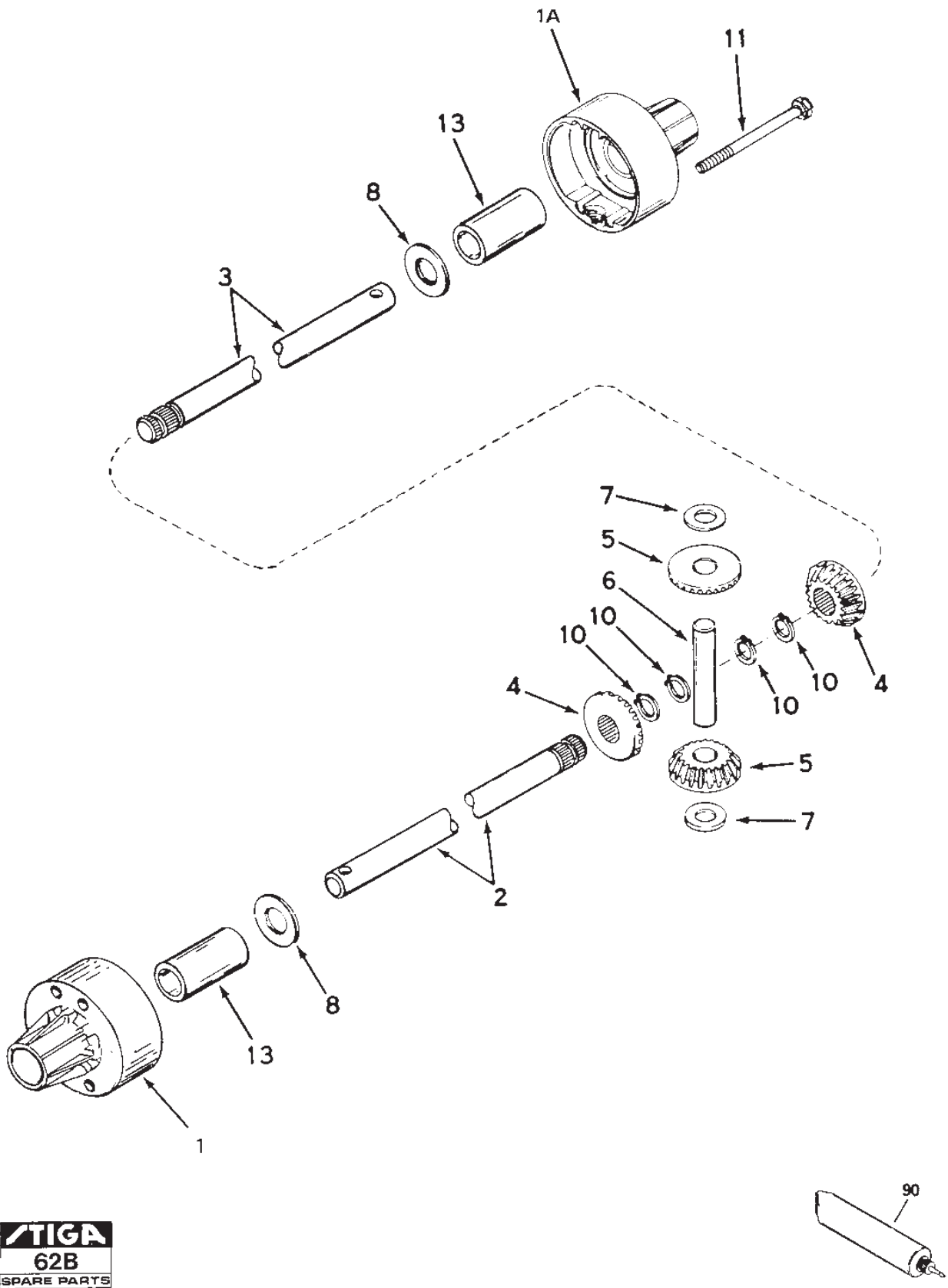
| Utgåva Issue 41 - 2014 | | Cylinder Vevhus | Cylinder Crankcase | | |
|------------------------------|-------------------|-------------------|-----------------------|-------------------------|---------------------|
| Pos. Fig. | Antal Quantity | Art nr Part No | Benämning | Description | Anmärkning Notes |
| 614 | 1 | 93306 | Låsnål | Cotter Pin Cotter pin | |
| 615 | 1 | 93307 | Låsring | Retainer | |
| 621 | 1 | 396847 | Stop switch | Stop switch | |
| 635 | 1 | 66538 | Tändstiftsskydd | Spark plug elbow | |
| 655 | 1 | 222598 | Anchor | Anchor | |
| 657 | 1 | 93496 | Skruv | Screw | |
| 663 | 2 | 94419 | Skruv | Screw | |
| 676 | 1 | 393757 | Deflektor | Deflector | |
| 725 | 1 | 223540 | Värmskydd | Heat shield | |
| 729 | 1 | 281159 | Clip | Clip | |
| 741 | 1 | 262479 | Gear | Gear | |
| 757 | 1 | 212359 | Länk | Link | |
| 758 | 1 | 390172 | Balanseringsvikt | Counterweight | |
| 759 | 1 | 298909 | Kolvsprint | Piston Pin | |
| 761 | 2 | 93874 | Skruv | Screw | |
| 836 | 1 | 93559 | Skruv | Screw | |
| 842 | 1 | 270920 | Tätning | Seal | |
| 847 | 1 | 392066 | Oljesticka kpl | Oil filler group | |
| 869 | 1 | 211661 | Valve seat-intake | Valve seat-intake | |
| 870 | 1 | 211661 | Valve seat-intake | Valve seat-intake | |
| 871 | 1 | 231218 | Ventilstyrning-insug | Valve guide-intake | Se rep.handbok |
| 871 | 1 | 261961 | Ventilstyrning-utblås | Valve guide-exhaust | |
| 883 | 1 | 272309 | Packning | Gasket | |
| 1016 | 1 | 490817 | Distans | Spacer | |
| 1020 | 1 | 261190 | Excenter | Eccentric | |
| 1021 | 1 | 94160 | Stift | Pin | |



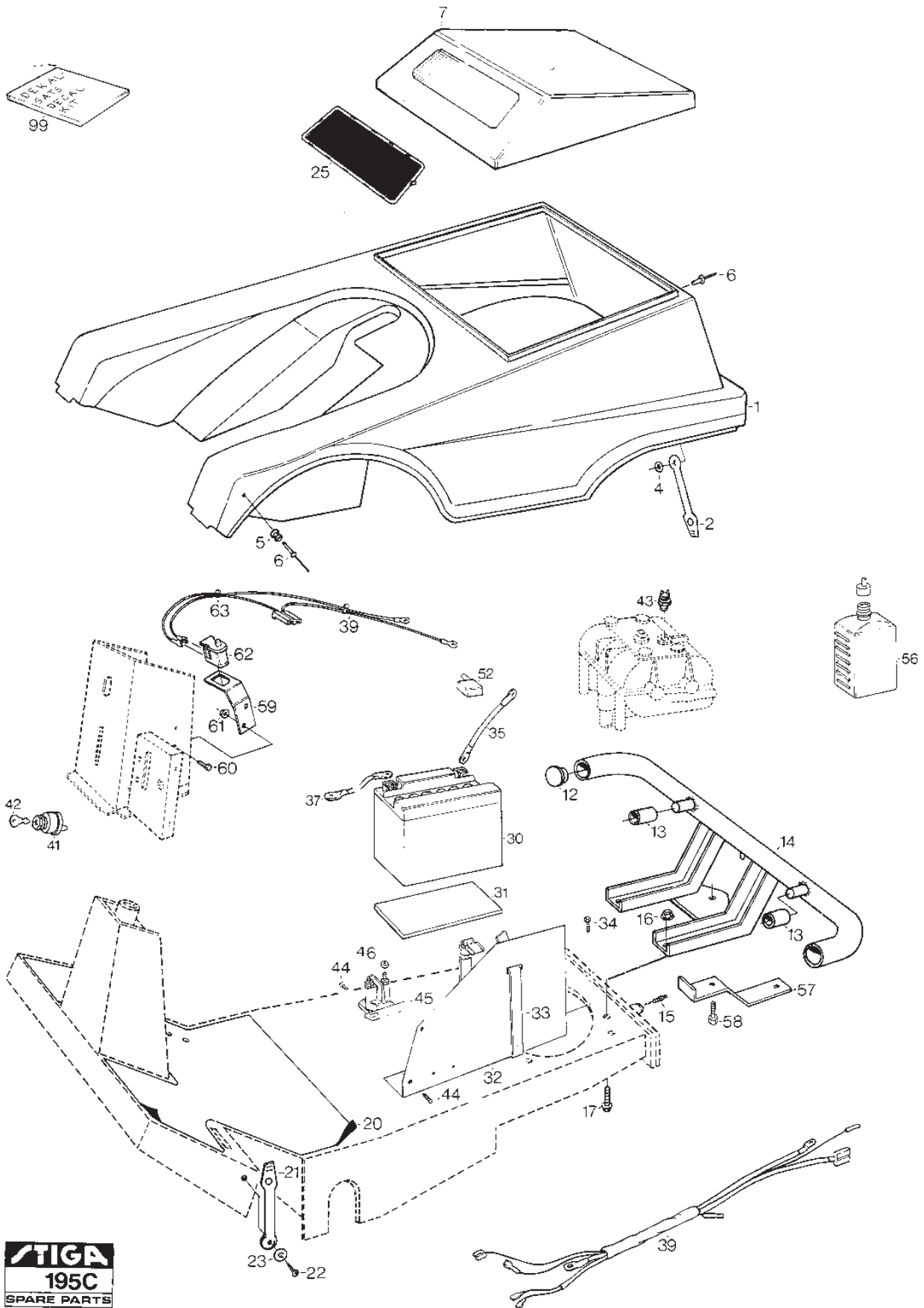
| Utgåva Issue 41 - 2014 | | Förgasare Tank | | Carburettor Fuel Tank | |
|------------------------------|-------------------|-------------------|----------------------|-----------------------|---------------------|
| Pos. Fig. | Antal Quantity | Art nr Part No | Benämning | Description | Anmärkning Notes |
| 51 | 1 | 272465 | Packning | Gasket | |
| 52 | 1 | 270824 | Packning | Gasket | |
| 53 | 2 | 94637 | Skruv | Screw | |
| 95 | 2 | 94098 | Skruv | Screw | |
| 98 | 1 | 494382 | Skruv | Screw | |
| 104 | 1 | 231789 | Axel | Shaft | |
| 105 | 1 | 231790 | Nålventil | Inlet needle valve | |
| 106 | 1 | 281169 | Valve seat | Valve seat | |
| 108 | 1 | 224540 | Choke valve | Choke valve | |
| 118 | 1 | 494383 | Nålventil | Needle valve | |
| 121 | 1 | 494880 | Carburettor overhaul | Carburettor overhaul | |
| 123 | 2 | 94616 | Skruv | Screw | |
| 125 | 1 | 494894 | Förgasare kpl | Carburettor Assy | |
| 130 | 1 | 224668 | Gasspjäll | Throttle Valve | |
| 131 | 1 | 494885 | Axel | Shaft | |
| 133 | 1 | 494381 | Flottör | Float | |
| 137 | 1 | 281165 | Packning | Gasket | |
| 138 | 1 | 281164 | Bricka | Washer | |
| 141 | 1 | 494380 | Choke shaft | Choke shaft | |
| 142 | 1 | 494877 | Nozzle | Nozzle | |
| 147 | 1 | 231794 | Nozzle | Nozzle | |
| 164 | 1 | 213819 | Carburettor elbow | Carburettor elbow | |
| 169 | 2 | 90832 | Bricka | Washer | |
| 180 | 1 | 390225 | Fuel tank | Fuel tank | |
| 181 | 1 | 493988 | Fuel cap | Fuel cap | |
| 182 | 1 | 222112 | Fäste | Bracket | |
| 182 | 1 | 222813 | Fäste | Bracket | |
| 183 | 1 | 390405 | Strap L.H. | Strap L.H. | |
| 183 | 1 | 390406 | Strap | Strap | |
| 184 | 2 | 93803 | Skruv | Screw | |
| 185 | 2 | 90970 | Mutter | Nut | |
| 187 | 1 | 296004 | Fuel pipe | Fuel pipe | 584 mm |
| 188 | 1 | 93634 | Skruv | Screw | |
| 188 | 1 | 93535 | Skruv | Screw | |
| 216 | 1 | 262768 | Choke link | Choke link | |
| 224 | 1 | 94513 | Skruv | Screw | |
| 258 | 1 | 94620 | Skruv | Screw | |
| 284 | 1 | 94326 | Skruv | Screw | |
| 309 | 1 | 394805 | Starter motor | Starter motor | |
| 310 | 2 | 94003 | Skruv | Screw | |
| 311 | 4 | 395538 | Släpkol | Brush | |
| 333 | 1 | 398811 | Tändsystem kpl | Armature group | |
| 334 | 2 | 93381 | Skruv | Screw | |
| 482 | 2 | 93621 | Skruv | Screw | |
| 510 | 1 | 490421 | Drev kpl | Drive assy | |
| 513 | 1 | 398003 | Koppling kpl | Clutch Ass.Y | |
| 527 | 2 | 221428 | Clamp | Clamp | |
| 535 | 1 | 272405 | Luftfilterelement | Filter Element | |
| 537 | 1 | 281106 | O-ring | O-ring | |



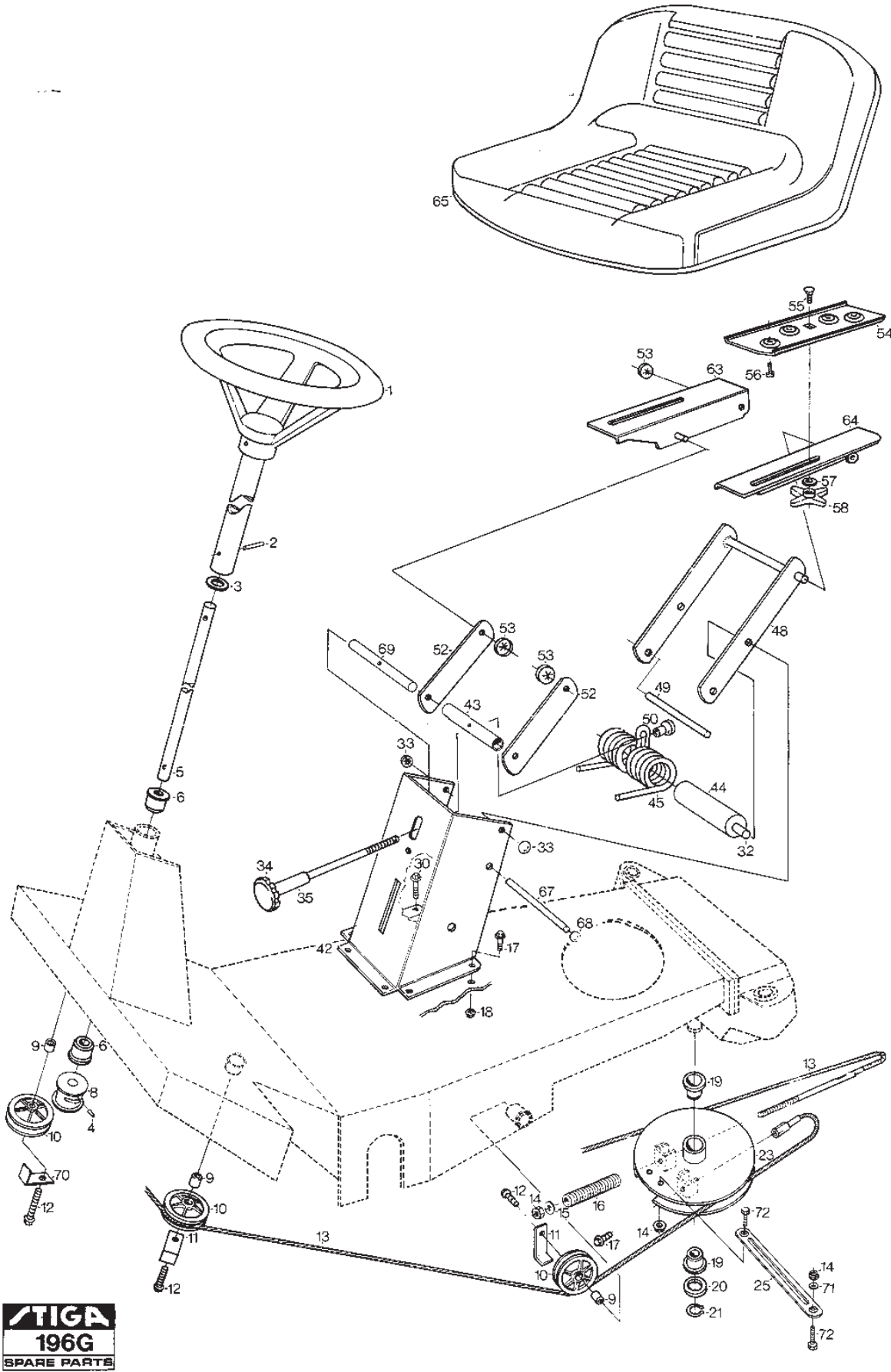
| Utgåva Issue 41 - 2014 | | Förgasare Tank | | Carburettor Fuel Tank | |
|------------------------------|-------------------|-------------------|---------------------|-----------------------|---------------------|
| Pos. Fig. | Antal Quantity | Art nr Part No | Benämning | Description | Anmärkning Notes |
| 544 | 1 | 390837 | Armature | Armature | |
| 601 | 2 | 93053 | Slangklämma | Hose clamp | |
| 611 | 1 | 494451 | Nippel | Inlet tube | |
| 618 | 1 | 262803 | Fjäder | Spring | |
| 634 | 1 | 281167 | Bricka | Washer | |
| 634 | 1 | 281168 | Bricka | Washer | |
| 646 | 1 | 224614 | Brace | Brace | |
| 670 | 2 | 22776 | Bricka | Washer | |
| 670 | 2 | 22963 | Distans | Spacer | |
| 670 | 4 | 22963 | Distans | Spacer | |
| 683 | 2 | 94602 | Skruv | Screw | |
| 725 | 1 | 222175 | Värmeskydd | Heat shield | |
| 726 | 1 | 392134 | Kuggkrans | Gear ring | |
| 728 | 2 | 93535 | Skruv | Screw | |
| 783 | 1 | 280104 | Drev | Gear | |
| 801 | 1 | 394856 | Lock | Drive end cap | |
| 802 | 1 | 395537 | Botten | End cap | |
| 803 | 1 | 398159 | Hus | Housing | |
| 851 | 1 | 221798 | Anslutning | Terminal | |
| 872 | 1 | 281108 | Cover | Cover | |
| 875 | 1 | 494745 | Air cleaner body | Air cleaner body | |
| 876 | 1 | 490467 | Startdrev | Retainer kit | |
| 877 | 1 | 393814 | Connector | Connector | |
| 878 | 1 | 393422 | Kabelhärva | Harness | |
| 887 | 1 | 391529 | Stator | Stator | |
| 896 | 1 | 94288 | Stift | Roll pin | |
| 955 | 1 | 94642 | Skruv | Screw | |
| 958 | 1 | 493960 | Fuel shut-off valve | Fuel shut-off valve | |
| 965 | 2 | 94108 | Låsmutter | Nut | |
| 975 | 1 | 494378 | Bowl | Bowl | |
| 987 | 1 | 281166 | Seal | Seal | |
| 6001 | 2 | 93053 | Slangklämma | Hose clamp | |



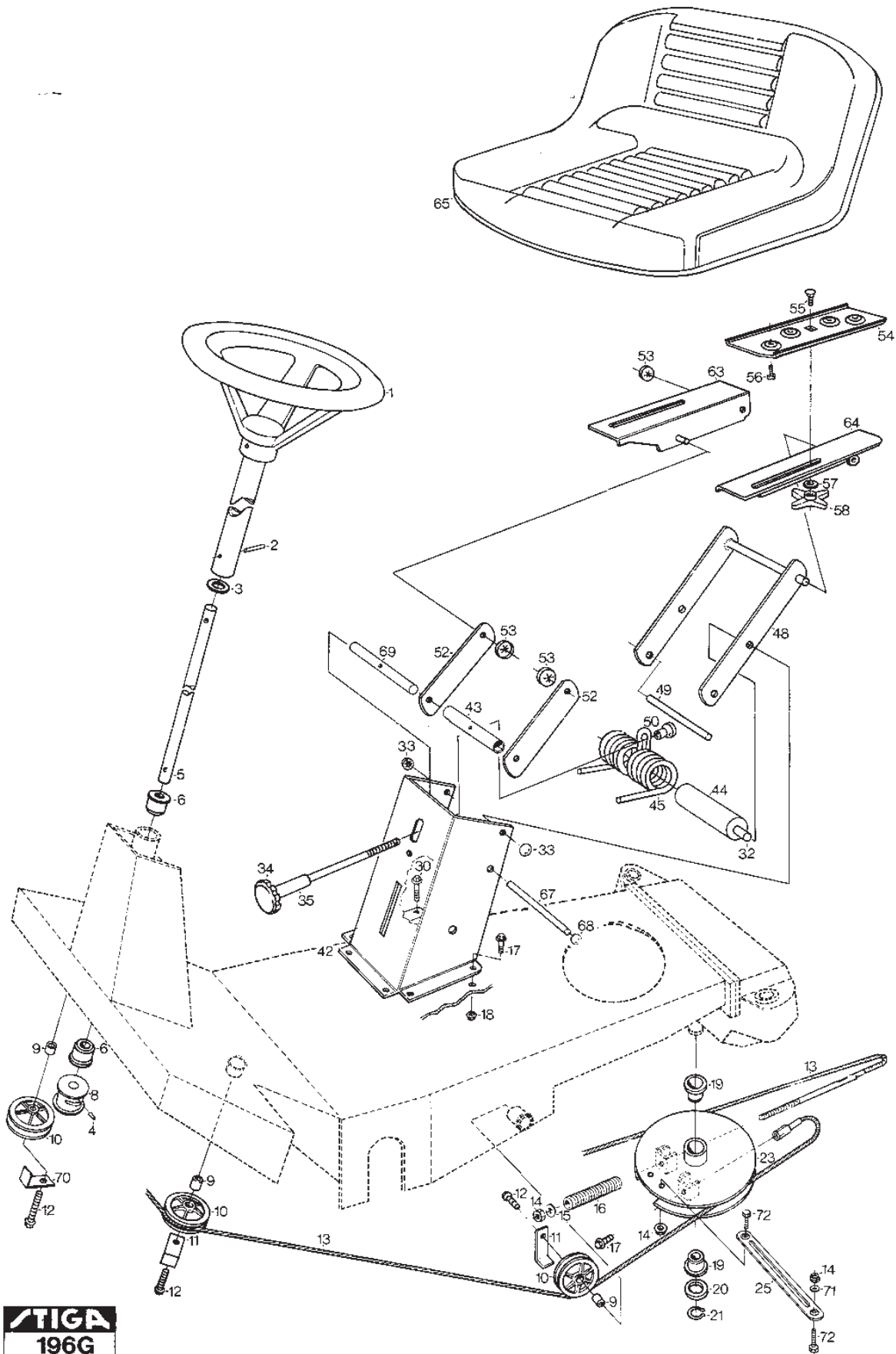
| Utgåva Issue 41 - 2014 | | Tecumseh Peerless Differential 100-019B | | Tecumseh Peerless Differential 100-019B | |
|------------------------------|-------------------|---|-------------------|---|---------------------|
| Pos. Fig. | Antal Quantity | Art nr Part No | Benämning | Description | Anmärkning Notes |
| 0 | 1 | 1134-1694-04 | Differentiell | Differential | Villa |
| 0 | 1 | 1134-5014-01 | Differentiell | Differential | |
| 1 | 1 | 774344 | Hus | Housing | Inkl. pos. 13 |
| 1 | 1 | 774659 | Hus | Housing | Inkl. pos. 13 |
| 1 | 1 | 774345 | Hus | Housing | Inkl. pos. 13 |
| 1 | 1 | 774660 | Hus | Housing | Inkl. pos. 13 |
| 1 | 1 | P000-7743-45 | Housing | Housing | |
| 1 | 1 | P000-7743-44 | Housing | Housing | |
| 2 | 1 | 774740 | Axel | Axle | 8-13/16" (224 mm) |
| 2 | 1 | P000-7747-40 | Axel | Axle | 224 mm |
| 2 | 1 | 775118 | Axel | Axle | 11-27/32" (301 mm) |
| 3 | 1 | 774741 | Axel | Axle | 420 mm |
| 3 | 1 | P000-7747-41 | Axel | Axle | 420 mm |
| 3 | 1 | 775119 | Axel | Axle | 19-19/32" (498 mm) |
| 4 | 2 | 778221 | Bevel gear | Bevel gear | |
| 4 | 2 | 778368 | Drev | Bevel gear | |
| 4 | 2 | P000-7782-21 | Drev | Bevel gear | |
| 5 | 2 | 778068 | Bevel pinion gear | Bevel pinion gear | |
| 5 | 2 | 778368 | Drev | Bevel gear | |
| 5 | 2 | P000-7780-68 | Drev | Gear | |
| 6 | 1 | 786040 | Stift | Drive pin | |
| 6 | 1 | P000-7860-40 | Stift | Drive pin | |
| 7 | 2 | 780096 | Bricka | Washer | |
| 7 | 2 | P000-7800-96 | Bricka | Washer | |
| 8 | 2 | 780001 | Bricka | Washer | |
| 8 | 2 | P000-7800-01 | Bricka | Washer | |
| 10 | 4 | 792125 | Låsring | Retainer ring | |
| 10 | 4 | P000-7921-25 | Låsring | Snap ring | |
| 11 | 4 | 792041 | Skruv | Screw | |
| 11 | 4 | P000-7920-41 | Skruv | Screw | |
| 13 | 2 | 780077 | Bussning | Bushing | |
| 13 | 2 | P000-7800-77 | Bussning | Bushing | |
| 90 | 1 | 788067 | Smörjfett | Grease | Bentonite |
| 90 | 1 | P007-8806-7B | Grease | Grease | 0.9 kg Bentonite |



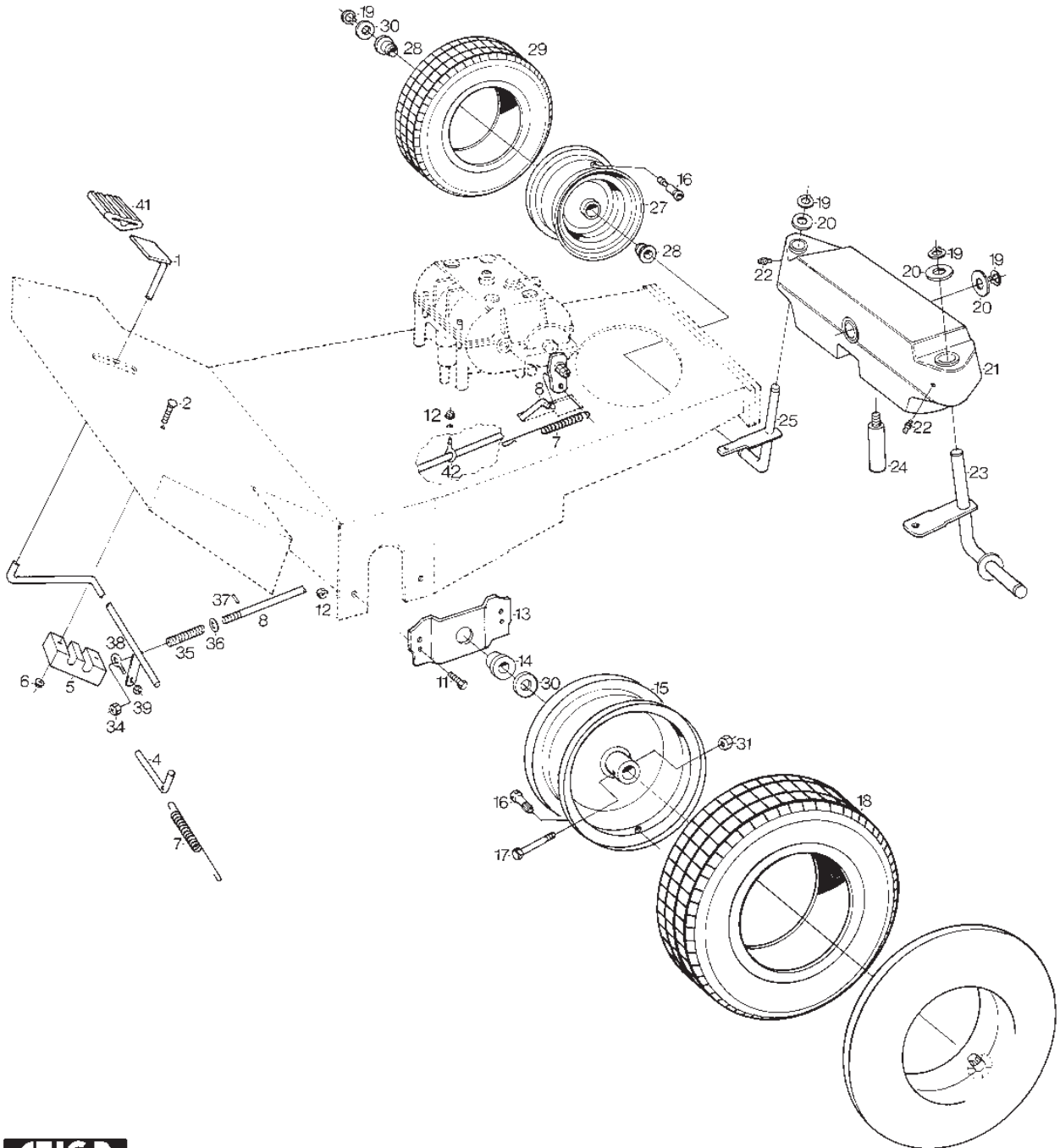
| Utgåva Issue 41 - 2014 | | Chassi Elsystem | | Chassis Electrical System | |
|------------------------------|-------------------|-------------------|---------------------------|---------------------------|---------------------|
| Pos. Fig. | Antal Quantity | Art nr Part No | Benämning | Description | Anmärkning Notes |
| 1 | 1 | 1134-1963-05 | Motorhuv kpl | Engine casing assy | |
| 4 | 1 | 9699-0054-02 | Bricka | Washer | |
| 5 | 2 | 9405-0029-00 | Knopp | Knob | |
| 6 | 3 | 9632-0516-00 | Popnit Tap/D/Bs 416 Gf9.5 | Pop Rivet | |
| 7 | 1 | 1134-2358-01 | Motorlucka | Engine cover | Inkl.pos. 25 |
| 12 | 2 | 9403-0015-70 | Plugg | Plug | |
| 13 | 2 | 1134-1643-01 | Gummislang | Rubberhose | |
| 14 | 1 | 1134-1595-02 | Stötfångare Kpl | Tube | |
| 15 | 1 | 9501-0500-00 | Smörjkopp Kort Rak | Grease Dispenser | |
| 16 | 2 | 9739-0831-22 | Mutter | Nut | |
| 17 | 2 | 9959-0816-16 | Skruv | Screw | |
| 20 | 1 | 1134-3536-01 | Durkmatta Villa | Floor Mat | |
| 21 | 1 | 1134-9028-01 | Gummistropp (3 St) | Rubber Strap (3 Pcs) | Inkl.pos. 2 |
| 22 | 2 | 9849-8013-16 | Skruv | Screw | |
| 23 | 2 | 9699-0087-02 | Bricka | Washer | |
| 25 | 1 | 1134-2267-01 | Gallerinsats Villa | Guarding Net | |
| 30 | 1 | 9400-0086-00 | Batteri | Battery | |
| 31 | 1 | 1134-2333-01 | Batteriunderlägg | Battery Pad | |
| 32 | 1 | 1134-1922-01 | Batteriplatta | Battery Plate | |
| 33 | 1 | 9400-0064-02 | Batterihållare | Battery Holder | |
| 34 | 1 | 9942-0612-16 | Skruv | Screw | |
| 35 | 1 | 1131-1455-00 | Batterikabel (-) | Battery Cable (-) | |
| 37 | 1 | 1134-0234-01 | Batterikabel (+) | Battery Cable (+) | |
| 39 | 1 | 1134-3270-01 | Kabelhärva | Harness | |
| 41 | 1 | 1134-2853-01 | Bricka | Washer | |
| 41 | 1 | 1134-2852-01 | Mutter | Nut | |
| 41 | 1 | 1134-1814-01 | Tändningslås Kpl Service | Starter Switch Assy. | |
| 42 | 1 | 1134-2848-01 | Tändningsnyckel | Ignition Key | |
| 43 | 1 | 9400-0105-01 | Brytare | Switch | |
| 44 | 4 | 9849-8009-16 | Skruv | Screw | |
| 45 | 1 | 1134-2962-01 | Solenoid Kpl Service | Solenoid | |
| 46 | 2 | 9794-5131-02 | Mutter | Nut | |
| 52 | 1 | 1134-2310-01 | Batteriskydd | Guard Cap (+) | |
| 56 | 1 | 1134-3300-01 | Batterisyra | Battery Acid | 2 x 0.85 liter |
| 99 | 1 | 1134-3557-01 | Dekalsats | Label Kit | |



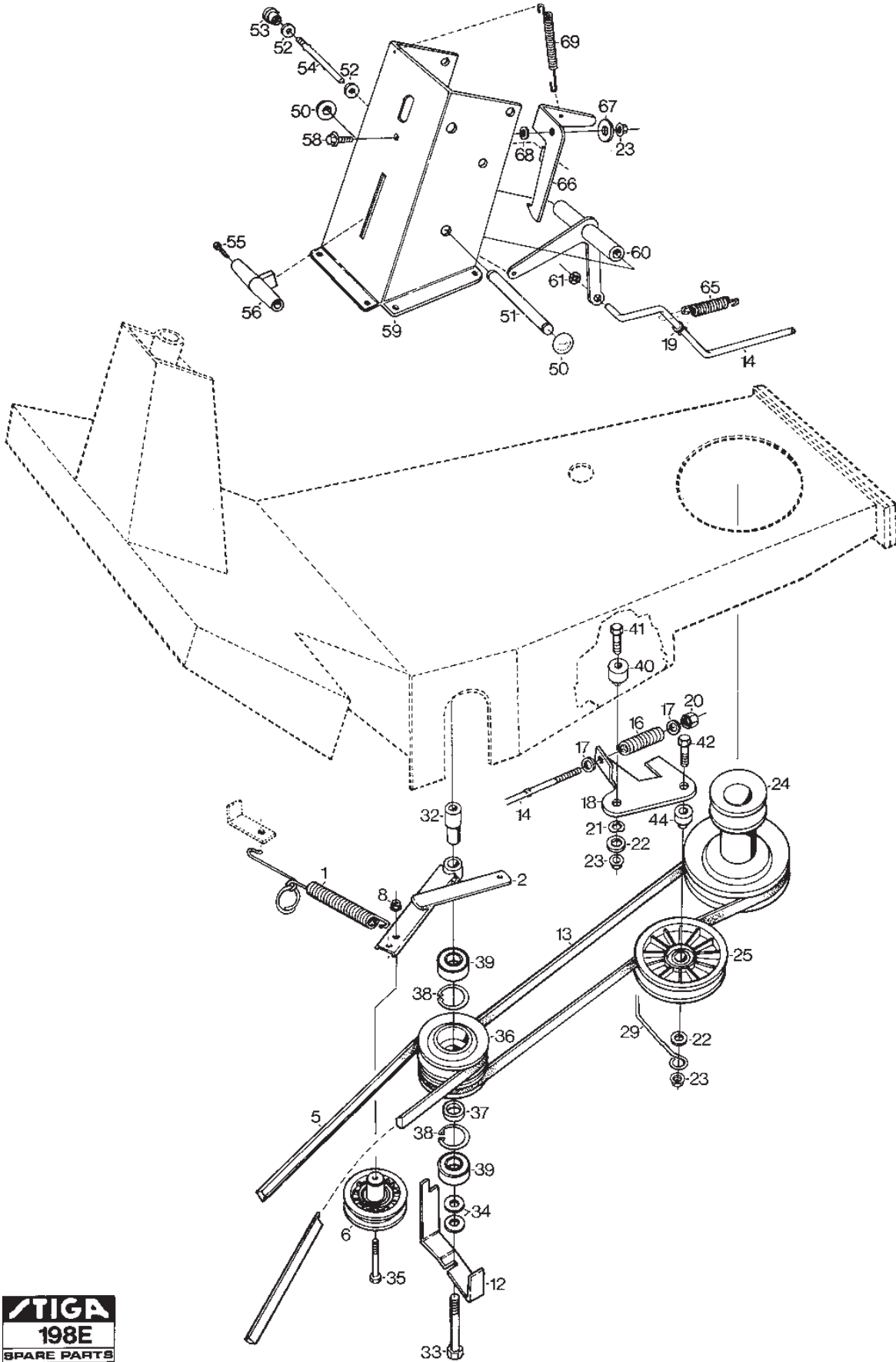
| Utgåva Issue 41 - 2014 | | Styrning Sits | | Steering Seat | |
|------------------------------|-------------------|-------------------|------------------------|----------------------|---------------------|
| Pos. Fig. | Antal Quantity | Art nr Part No | Benämning | Description | Anmärkning Notes |
| 1 | 1 | 1134-2390-01 | Ratt | Steering wheel | |
| 2 | 1 | 9595-0262-00 | Spännstift | Locating Pin | |
| 3 | 1 | 9699-0114-02 | Bricka | Washer | 1.0 mm |
| 3 | 1 | 9699-0114-02 | Bricka | Washer | 1,0 mm |
| 3 | 1 | 9699-0103-02 | Bricka | Washer | 0.5 mm |
| 3 | 1 | 9699-0103-02 | Bricka | Washer | 0,5 mm |
| 4 | 1 | 9595-0262-00 | Spännstift | Locating Pin | |
| 5 | 1 | 1134-1424-01 | Rattstång | Steering Rod | |
| 6 | 2 | 1134-1901-01 | Lager | Bearing | |
| 8 | 1 | 1134-1933-01 | Linhjul | Steering Pulley | |
| 9 | 4 | 1134-0041-01 | Bussning | Bushing | |
| 10 | 2 | 1134-9025-01 | Linhjul | Steering Pulley | |
| 11 | 3 | 1134-3022-01 | Fäste | Bracket | |
| 12 | 4 | 9942-1030-16 | Skruv | Screw | |
| 13 | 1 | 1134-9023-01 | Styrwire | Steering Wire | |
| 14 | 5 | 9747-0831-02 | Mutter Låsmutter | Nut | |
| 15 | 1 | 9699-0090-02 | Bricka | Washer | |
| 16 | 1 | 1134-1310-01 | Fjäder | Spring | |
| 17 | 5 | 9959-0816-16 | Skruv | Screw | |
| 18 | 4 | 9739-0831-22 | Mutter | Nut | |
| 19 | 1 | 1134-9024-01 | Lager (4 St) | Bearing | |
| 20 | 1 | 1134-0341-01 | Bricka | Washer | |
| 21 | 1 | 9650-0020-04 | Spårring Sga 20 | Circlip | |
| 23 | 1 | 1134-1500-02 | Linhjul | Steering Pulley | |
| 25 | 2 | 1134-3247-02 | Parallellstag | Tie Rod | |
| 30 | 1 | 9959-0825-16 | Skruv | Screw | |
| 32 | 1 | 1134-0022-00 | Reglagestång | Control Rod | |
| 33 | 2 | 9672-0004-02 | | | |
| 34 | 1 | 1134-2163-01 | Spännstång Kpl. | Rod | |
| 35 | 1 | 1134-2166-01 | Distans | Spacer | |
| 42 | 1 | 1134-3252-02 | Sitskonsol-gul | Seat Bracket-Yellow | |
| 43 | 1 | 1134-2846-01 | Rör | Tube | |
| 44 | 1 | 1134-1883-01 | Axel | Axle | |
| 45 | 1 | 1134-0015-00 | Sitsfjäder | Seat spring | |
| 48 | 1 | 1134-1652-01 | Fjäder | Spring | |
| 49 | 1 | 1134-0050-00 | Sitsstång | Seat Rod | |
| 50 | 1 | 1134-0493-00 | Mutter | Nut | |
| 52 | 2 | 1134-1650-01 | Parallellstag5-01 F24 | Tie Bar | |
| 53 | 4 | 9675-0017-02 | Låsbricka | Starlock | |
| 54 | 2 | 1134-2961-01 | Sitsadapter 5-01 24 | Seat Adapter | |
| 55 | 2 | 9898-0820-16 | Skruv | Screw | |
| 56 | 4 | 9988-3616-16 | Skruv | Screw | |
| 57 | 2 | 9699-0062-02 | Bricka | Washer | |
| 58 | 2 | 1134-1711-01 | Knopp | Knob | |
| 63 | 1 | 1134-3618-01 | Sitsfäste Kpl. 5-01 14 | Seat Attachment-R.H. | |
| 64 | 1 | 1134-3618-02 | Sitsfäste Kpl. 5-01 14 | Seat Attachment-L.H. | |
| 65 | 1 | 1134-2541-01 | Sits Suburban Sa 10314 | Seat | Villa 11E |
| 65 | 1 | 1134-2541-01 | Sits Suburban Sa 10314 | Seat | Tyskland-Villa 11E |



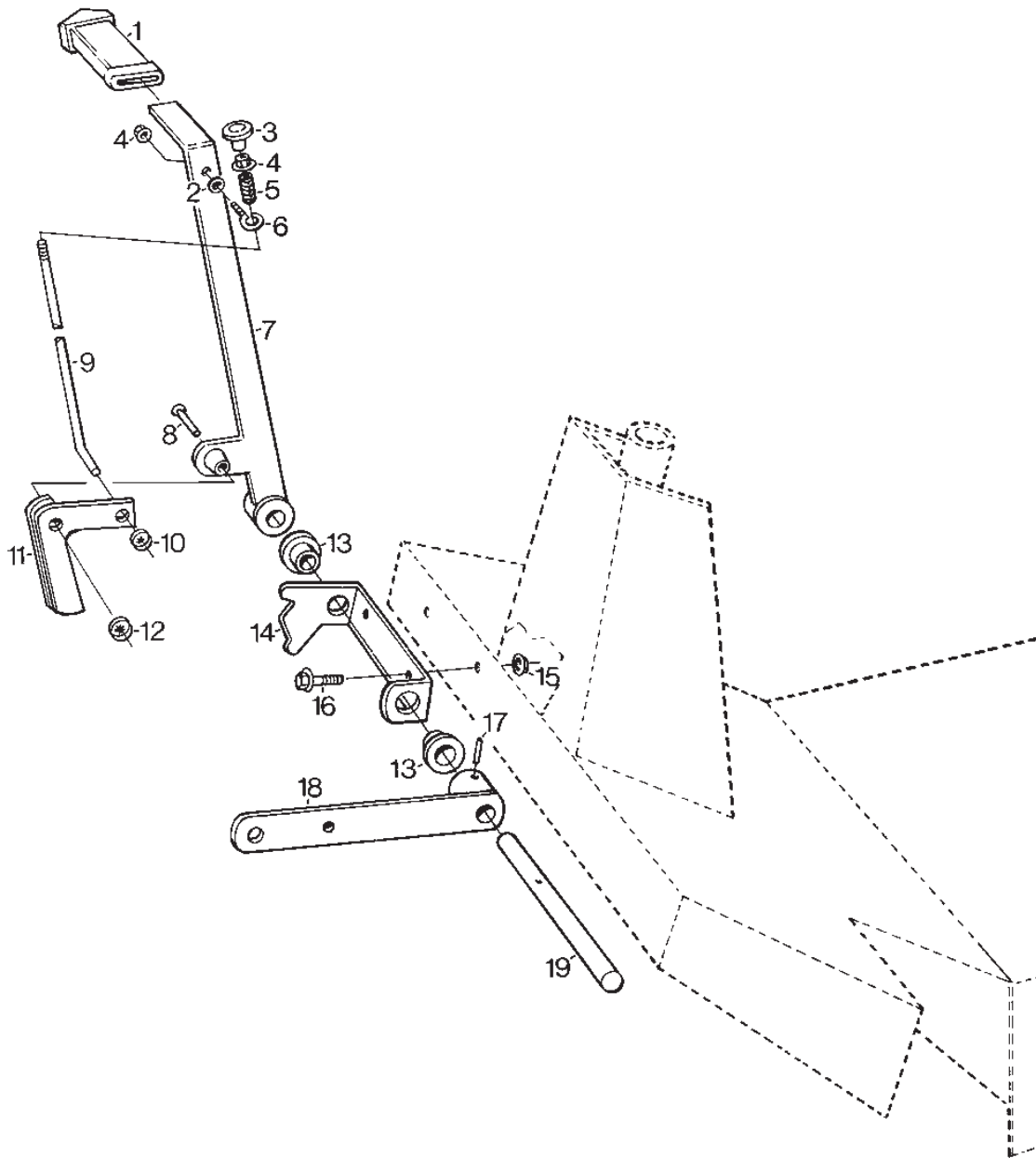
| Utgåva Issue 41 - 2014 | | Styrning Sits Steering Seat | | | |
|------------------------------|-------------------|--------------------------------|-----------------------------------|--------------------------------------|---------------------|
| Pos. Fig. | Antal Quantity | Art nr Part No | Benämning | Description | Anmärkning Notes |
| 65 | 1 | 1134-0800-06 | Sits Sears Sa 1216 (9407-0003-01) | Seat Sears Sa 1216 (9407-0003-01) 20 | |
| 67 | 1 | 1134-2454-01 | Axel | Shaft | |
| 68 | 2 | 9672-0006-02 | Starlock | Lock washer | |
| 69 | 1 | 1134-2847-01 | Mellanstag | Shaft | |
| 70 | 1 | 1134-3022-01 | Fäste | Bracket | |
| 71 | 2 | 9699-0028-02 | Bricka | Washer | |
| 72 | 4 | 9997-0825-16 | Skruv | Screw | |



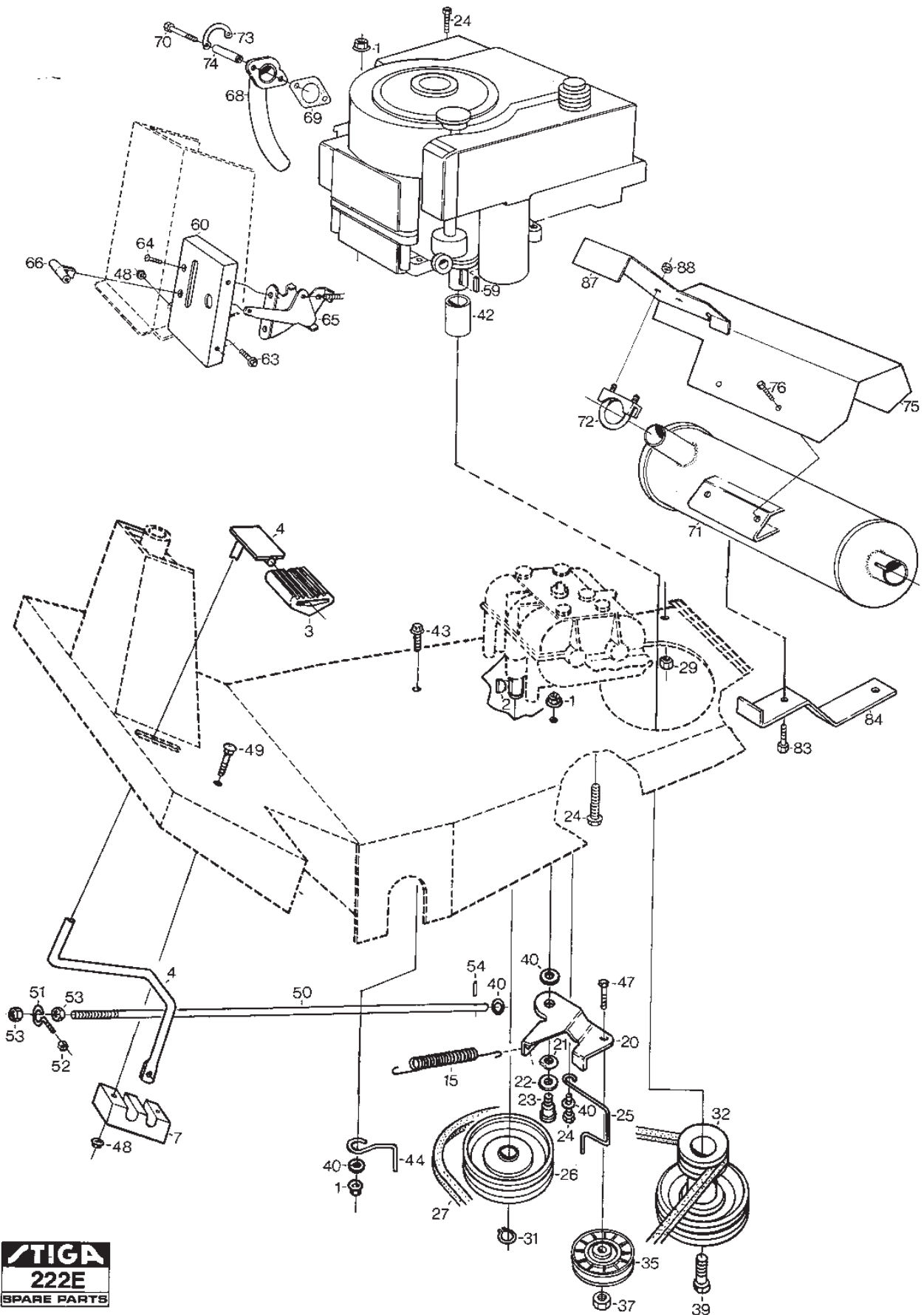
| Utgåva Issue 41 - 2014 | | Hjulupphängning Bromssystem | | Wheel Suspension Brake System | |
|------------------------------|-------------------|-----------------------------|------------------------|-------------------------------|---------------------|
| Pos. Fig. | Antal Quantity | Art nr Part No | Benämning | Description | Anmärkning Notes |
| 1 | 1 | 1134-1979-01 | Pedal Kpl 5-01 | Brake Pedal | |
| 2 | 2 | 9898-0635-12 | Skruv | Screw | |
| 4 | 1 | 1134-1934-01 | Distans | Spacer | |
| 4 | 1 | 1134-1937-01 | Reglagespak | Control Lever | |
| 5 | 1 | 1134-1927-01 | Lager 5-01 | Bearing | |
| 6 | 2 | 9739-0631-22 | Mutter Strålkastare | Nut Working lamp | |
| 7 | 2 | 4231-0013-00 | Fjäder | Spring | |
| 8 | 1 | 1134-1980-01 | Bromsstång | Brake Rod | |
| 11 | 4 | 9959-0820-16 | Skruv | Screw | |
| 12 | 5 | 9739-0831-22 | Mutter | Nut | |
| 13 | 2 | 1134-1876-01 | Bakaxelfäste 5-01 24 | Rear Axle Mounting | |
| 14 | 2 | 1134-1875-01 | Bussning | Bushing | |
| 15 | 2 | 1134-3176-01 | Fälg | Rim | |
| 16 | 4 | 9545-0500-00 | Ventil | Valve Assy. | |
| 17 | 2 | 1134-1348-01 | Skruv | Screw | |
| 18 | 2 | 9545-0120-00 | Däck | Tyre | 16 x 7.50-8 |
| 18 | 2 | 9545-0116-00 | Däck | Tyre | 16 x 7.50-8 |
| 19 | 5 | 9650-0020-04 | Spårring Sga 20 | Circlip | |
| 20 | 3 | 9699-0088-02 | Bricka | Washer | |
| 21 | 1 | 1134-1634-01 | Bakaxel | Rear axle | |
| 22 | 2 | 9501-0500-00 | Smörjkopp Kort Rak | Grease Dispenser | |
| 23 | 1 | 1134-1428-01 | Spindel-vä | Spindle Lh | |
| 24 | 1 | 1134-1583-01 | Axel | Shaft For Steering Pulley | |
| 25 | 1 | 1134-1428-02 | Spindel-hö | Spindle Rh | |
| 27 | 2 | 1134-2669-01 | Fälg kpl | Rim assy | |
| 28 | 1 | 1134-9026-01 | Bussning | Bearing | Sats 4 st/kit of 4 |
| 29 | 2 | 9545-0117-00 | Däck | Tyre | 13 x 5.00-6 |
| 30 | 4 | 1134-0341-01 | Bricka | Washer | |
| 31 | 2 | 9743-3721-32 | Mutter | Nut | |
| 34 | 1 | 9747-0831-02 | Mutter Låsmutter | Nut | |
| 35 | 1 | 1134-1023-00 | Fjäder | Brake Spring | |
| 36 | 1 | 9699-0090-02 | Bricka | Washer | |
| 37 | 1 | 9595-0160-00 | Spiralspnst Prym N3X16 | Locating Pin | |
| 38 | 1 | 1134-1889-01 | Skruvögla | Eye Bolt | |
| 39 | 1 | 9747-0631-02 | Mutter Låsmutter | Nut | |
| 41 | 1 | 1134-0269-00 | Pedalgummi | Pedal Rubber | |
| 42 | 1 | 1134-2138-01 | Skruvögla | Eye Bolt | |



| Utgåva Issue 41 - 2014 | | Power Take-Off | | | |
|------------------------------|-------------------|-------------------|--------------------------|-------------------------|---------------------|
| Pos. Fig. | Antal Quantity | Art nr Part No | Benämning | Description | Anmärkning Notes |
| 1 | 1 | 1134-1322-01 | Fjäder | Tensioning Wheel Spring | |
| 2 | 1 | 1134-1866-01 | Spännarm Smst Servicedet | Tensioning Arm Compl | |
| 5 | 1 | 1134-9031-01 | Kilrem | V-Belt | =9585-0072-00 |
| 6 | 1 | 1134-3043-01 | Spännrulle | Tension Roller | |
| 8 | 1 | 9739-1031-22 | Mutter | Nut | |
| 12 | 1 | 1134-1569-01 | Remstyrning | Belt Guide | |
| 13 | 1 | 1134-9010-01 | Kilrem | V-Belt | =9585-0053-00 |
| 14 | 1 | 1134-1935-01 | Länkstång | Link Rod | |
| 16 | 1 | 1134-1023-00 | Fjäder | Brake Spring | |
| 17 | 2 | 9699-0028-02 | Bricka | Washer | |
| 18 | 1 | 1134-1438-02 | Spännarm | Tensioning Arm | |
| 19 | 1 | 9699-0090-02 | Bricka | Washer | |
| 20 | 1 | 9747-0831-02 | Mutter Låsmutter | Nut | |
| 21 | 1 | 9696-0013-01 | Bricka | Washer | |
| 22 | 2 | 9699-0062-02 | Bricka | Washer | |
| 23 | 3 | 9739-0831-22 | Mutter | Nut | |
| 24 | 1 | 9997-1450-16 | Skruv | Screw | Tillbehör/accessory |
| 24 | 1 | 1134-1633-01 | Motorremskiva | Engine Belt Pulley | |
| 25 | 1 | 1134-3053-01 | Spännrulle | Tension Roller | |
| 29 | 1 | 1134-1647-01 | Remhållare | Belt Stirrup | |
| 32 | 1 | 1134-1839-01 | Mellanaxel | Shaft | |
| 33 | 1 | 9997-1080-12 | Skruv | Screw | |
| 34 | 2 | 9699-0035-02 | Bricka | Washer | |
| 35 | 1 | 9997-1050-16 | Skruv | Screw | |
| 36 | 1 | 1134-1486-01 | Dubbelremskiva Kpl Villa | Double V-Belt Pulley | |
| 37 | 1 | 1134-0051-07 | Distans | Spacer | |
| 38 | 2 | 9651-0040-04 | Spårring Sgh 40 | Circlip | |
| 39 | 2 | 9549-0019-00 | Kullager | Ball Bearing | |
| 40 | 1 | 1134-1838-01 | Spännarmsfäste | Tension Arm Bracket | |
| 41 | 1 | 9997-0855-12 | Skruv | Screw | |
| 42 | 1 | 9997-0845-12 | Skruv | Screw | |
| 44 | 1 | 1134-1888-01 | Distans | Spacer | |
| 50 | 2 | 9672-0004-02 | | | |
| 51 | 1 | 1134-0022-00 | Reglagestång | Control Rod | |
| 52 | 2 | 9699-0025-02 | Bricka | Washer | |
| 53 | 1 | 1134-0583-00 | Knopp | Knob | |
| 54 | 1 | 1134-1972-01 | Urkopplingsspak | Disengaging Lever | |
| 55 | 1 | 9847-8016-16 | Skruv | Screw | |
| 56 | 1 | 1134-0153-00 | T-Handtag | Handle Gear Shifter | |
| 58 | 1 | 9959-0820-16 | Skruv | Screw | |
| 59 | 1 | 1134-3252-02 | Sitskonsol-gul | Seat Bracket-Yellow | |
| 60 | 1 | 1134-1396-02 | Spak | Lever | Art.nr. 2842 |
| 60 | 1 | 1134-0027-01 | Reglagespak | Control Lever | |
| 61 | 1 | 9675-0011-00 | Låsbricka | Starlock | |
| 65 | 1 | 1131-1506-00 | Fjäder | Spring | |
| 66 | 1 | 1134-2453-01 | Låshake | Locking Pawl | |
| 67 | 1 | 1134-0143-00 | Bricka | Washer | |
| 68 | 1 | 9695-0002-00 | Bricka | Washer | |
| 69 | 1 | 1131-1497-01 | Fjäder | Brake Spring | |

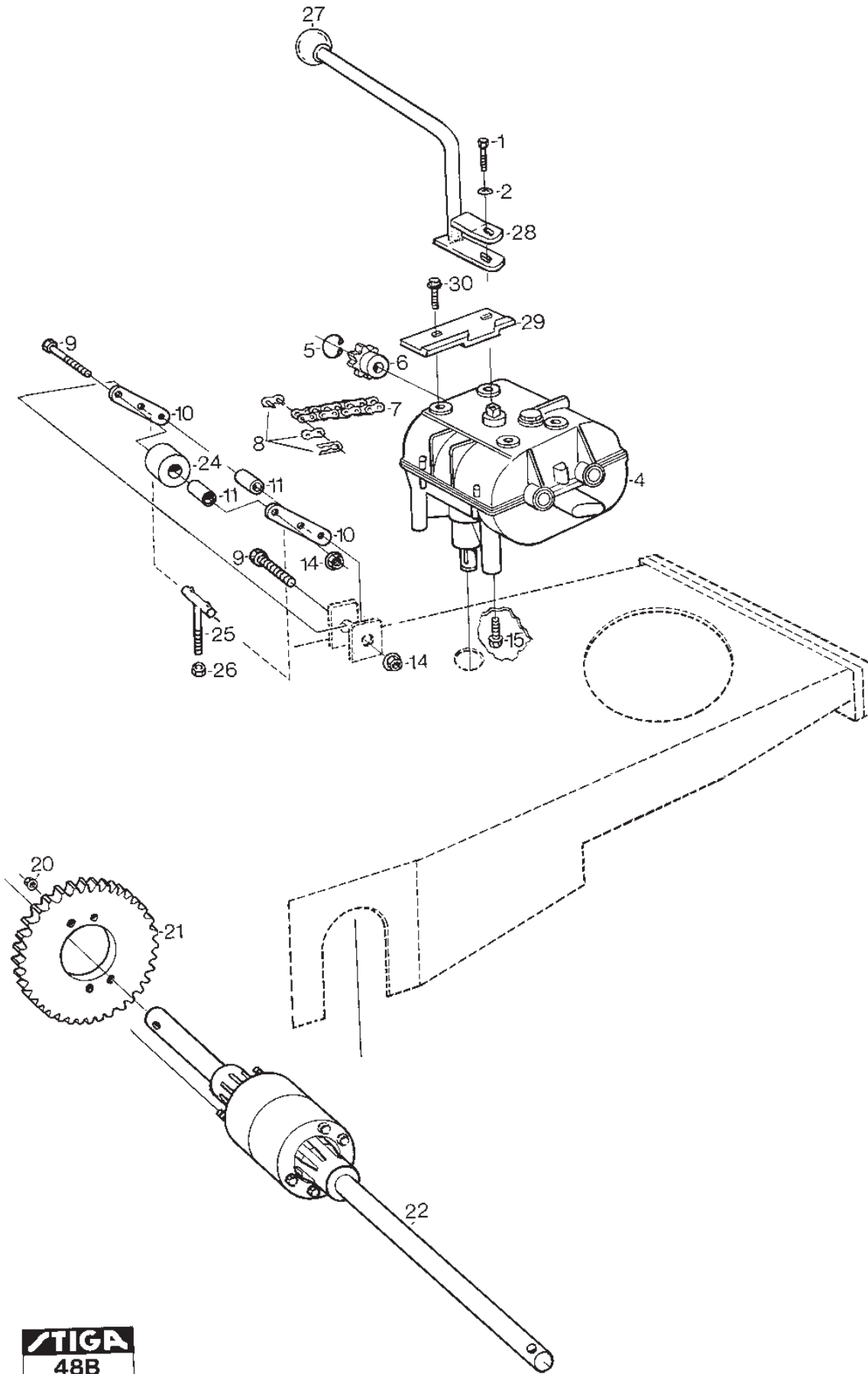


| Utgåva Issue 41 - 2014 | | Redskapslyft Lifting Device | | | |
|------------------------------|-------------------|--------------------------------|---------------------------|-------------------------|---------------------|
| Pos. Fig. | Antal Quantity | Art nr Part No | Benämning | Description | Anmärkning Notes |
| 0 | 1 | 1134-1437-02 | rödskapslyft Smst Villa | Accessory Ricing Device | |
| 1 | 1 | 9403-0110-01 | Höjdinst.Handtag Ej Kapad | Handle | |
| 2 | 1 | 9699-0025-02 | Bricka | Washer | |
| 3 | 1 | 1134-0583-00 | Knopp | Knob | |
| 4 | 2 | 9739-0631-22 | Mutter Strålkastare | Nut Working lamp | |
| 5 | 1 | 1111-0053-00 | Fjäder | Spring | |
| 6 | 1 | 1134-1889-01 | Skruvögla | Eye Bolt | |
| 7 | 1 | 1134-0859-03 | Svärd | Bar | |
| 8 | 1 | 9646-0099-22 | Nit Kn 8X30 | Rivet | |
| 9 | 1 | 1134-0858-00 | Tryckstång | Push Rod | |
| 10 | 1 | 9675-0008-02 | Starlockbricka | Starlock | |
| 11 | 1 | 1134-2911-01 | Låshake | Locking Pawl | |
| 12 | 1 | 9675-0012-02 | Starlock | Locking washer | |
| 13 | 2 | 1134-2684-01 | Lager | Bearing | |
| 14 | 1 | 1134-0536-00 | Lyftsegment | Locking Plate | |
| 15 | 2 | 9739-1031-22 | Mutter | Nut | |
| 16 | 2 | 9959-1020-16 | Skruv | Screw | |
| 17 | 2 | 9595-0258-00 | Spännstift | Locating Pin | |
| 18 | 1 | 1134-1604-01 | Lyftarm Kpl | Trippet | |
| 19 | 1 | 1134-1884-01 | Lyftaxel | Lifting Shaft | |
| 999 | 1 | 1134-1437-02 | rödskapslyft Smst Villa | Accessory Ricing Device | |



STIGA
222E
SPARE PARTS

| Utgåva Issue 41 - 2014 | | Transmission Motor | | Transmission Engine | |
|------------------------------|-------------------|--------------------|---------------------------|------------------------|---------------------|
| Pos. Fig. | Antal Quantity | Art nr Part No | Benämning | Description | Anmärkning Notes |
| 1 | 4 | 9739-0831-22 | Mutter | Nut | |
| 2 | 1 | 9600-0050-00 | Kil | Key | |
| 3 | 1 | 1134-0269-00 | Pedalgummi | Pedal Rubber | |
| 4 | 1 | 1134-2123-02 | Kopplingspedal Kpl | Clutch Pedal | |
| 7 | 1 | 1134-1927-01 | Lager 5-01 | Bearing | |
| 15 | 1 | 1134-1949-01 | Fjäder | Spring | |
| 20 | 1 | 1134-1631-02 | Spännarm 5-01 15 | Tension Arm | |
| 21 | 1 | 9696-0013-01 | Bricka | Washer | |
| 22 | 1 | 9699-0037-02 | Bricka | Washer | |
| 23 | 1 | 1134-0240-00 | Skruv | Screw | |
| 24 | 5 | 9997-0840-16 | Skruv | Screw | |
| 25 | 1 | 1134-0139-01 | Remskydd | Belt Guard | |
| 26 | 1 | 1134-1849-01 | Remskiva | Belt Pulley | |
| 27 | 1 | 1134-9008-01 | Kilrem | V-Belt | =9585-0050-00 |
| 29 | 1 | 9747-0831-02 | Mutter Låsmutter | Nut | |
| 31 | 1 | 9650-0016-04 | Spårring Sga 16 | Circlip | |
| 32 | 1 | 9997-1450-16 | Skruv | Screw | Tillbehör/accessory |
| 32 | 1 | 1134-1633-01 | Motorremskiva | Engine Belt Pulley | |
| 35 | 1 | 1134-9027-01 | Spännrulle (Svart) | Tension Roller (Black) | |
| 37 | 1 | 9739-1031-22 | Mutter | Nut | |
| 39 | 1 | 9987-5338-12 | Skruv | Screw | |
| 40 | 4 | 9699-0090-02 | Bricka | Washer | |
| 42 | 1 | 1134-1364-02 | Distansring | Spacer Ring | |
| 43 | 1 | 9959-0825-16 | Skruv | Screw | |
| 44 | 1 | 1134-1795-01 | Remhållare | Belt Stirrup | |
| 47 | 1 | 9997-1030-16 | Skruv | Screw | |
| 48 | 4 | 9739-0631-22 | Mutter Strålkastare | Nut Working lamp | |
| 49 | 2 | 9898-0635-12 | Skruv | Screw | |
| 50 | 1 | 1134-1931-01 | Kopplingsstång | Clutch Control Rod | |
| 51 | 1 | 1134-1889-01 | Skruvögla | Eye Bolt | |
| 52 | 1 | 9747-0631-02 | Mutter Låsmutter | Nut | |
| 53 | 2 | 9799-0831-02 | Mutter | Nut | |
| 54 | 1 | 9595-0160-00 | Spiralspnst Prym N3X16 | Locating Pin | |
| 59 | 1 | 9600-0250-00 | Kil | Key | |
| 60 | 1 | 1134-1594-01 | Instrumentpanel(5-01 F12) | Panel | |
| 63 | 2 | 9959-0612-16 | Skruv | Screw | |
| 64 | 2 | 9849-8009-16 | Skruv | Screw | |
| 65 | 1 | 1134-1975-01 | Gasreglage | Throttle Cable | |
| 66 | 1 | 9403-0035-10 | Knopp | Knob | |



| Utgåva Issue 41 - 2014 | | Transmission | | Transmission | |
|------------------------------|-------------------|-------------------|---------------------|---------------------|---------------------|
| Pos. Fig. | Antal Quantity | Art nr Part No | Benämning | Description | Anmärkning Notes |
| 1 | 1 | 9987-5016-16 | Skruv | Screw | |
| 2 | 1 | 9699-0060-02 | Bricka | Washer | |
| 4 | 1 | 9500-9949-00 | Växellåda 781B | Gear Box 781B | 19 Peerless 781A |
| 5 | 1 | 792072 | Circlip | Circlip | |
| 6 | 1 | 786114 | Sprocket | Sprocket | |
| 7 | 1 | 9589-0008-02 | Chain w. chain lock | Chain w. chain lock | |
| 8 | 1 | 9589-0504-00 | Kedjelås | Chain Fastener | |
| 9 | 2 | 9997-0855-12 | Skruv | Screw | |
| 10 | 2 | 1134-1561-01 | Hävarm | Lever | |
| 11 | 2 | 1134-1565-01 | Distans | Spacer | |
| 14 | 2 | 9739-0831-22 | Mutter | Nut | |
| 15 | 4 | 9988-3619-16 | Skruv | Screw | |
| 20 | 4 | 9743-3621-32 | Mutter | Nut | |
| 20 | 4 | 9795-3631-02 | Mutter | Nut | |
| 21 | 1 | 1134-1691-02 | Kedjehjul | Sprocket | |
| 22 | 1 | 1134-1694-04 | Differentiell | Differential | Peerless 100-019B |
| 24 | 1 | 1134-1936-01 | Spännrulle | Tensioning Roller | |
| 25 | 1 | 1134-1942-01 | Skruv | Screw | |
| 26 | 1 | 9747-0831-02 | Mutter Låsmutter | Nut | |
| 27 | 1 | 1134-1925-02 | Växelspak Smst5-01 | Gear Shifter | |
| 28 | 1 | 1134-1981-01 | Böjstopp | Shift Lock | |
| 29 | 1 | 1134-1916-01 | Spärrplatta 5-01 | Stop Plate | |
| 30 | 2 | 9942-0816-16 | Skruv | Screw | |

| code | pos. | q.ty | page | | | | | | | | |
|--------------|------|------|-------|--------------|----|---|-------|--------------|-----|---|-------|
| 1111-0053-00 | 5 | 1 | p. 25 | 1134-1838-01 | 40 | 1 | p. 23 | 1134-3618-01 | 63 | 1 | p. 17 |
| 1111-1580-02 | 58 | 1 | p. 3 | 1134-1839-01 | 32 | 1 | p. 23 | 1134-3618-02 | 64 | 1 | p. 17 |
| 1111-9028-02 | 337 | 1 | p. 5 | 1134-1849-01 | 26 | 1 | p. 27 | 1134-5014-01 | 0 | 1 | p. 13 |
| 1111-9029-01 | 383 | 1 | p. 5 | 1134-1866-01 | 2 | 1 | p. 23 | 1134-9008-01 | 27 | 1 | p. 27 |
| 1131-1455-00 | 35 | 1 | p. 15 | 1134-1875-01 | 14 | 2 | p. 21 | 1134-9010-01 | 13 | 1 | p. 23 |
| 1131-1497-01 | 69 | 1 | p. 23 | 1134-1876-01 | 13 | 2 | p. 21 | 1134-9023-01 | 13 | 1 | p. 17 |
| 1131-1506-00 | 65 | 1 | p. 23 | 1134-1883-01 | 44 | 1 | p. 17 | 1134-9024-01 | 19 | 1 | p. 17 |
| 1134-0015-00 | 45 | 1 | p. 17 | 1134-1884-01 | 19 | 1 | p. 25 | 1134-9025-01 | 10 | 2 | p. 17 |
| 1134-0022-00 | 32 | 1 | p. 17 | 1134-1888-01 | 44 | 1 | p. 23 | 1134-9026-01 | 28 | 1 | p. 21 |
| 1134-0022-00 | 51 | 1 | p. 23 | 1134-1889-01 | 6 | 1 | p. 25 | 1134-9027-01 | 35 | 1 | p. 27 |
| 1134-0027-01 | 60 | 1 | p. 23 | 1134-1889-01 | 38 | 1 | p. 21 | 1134-9028-01 | 21 | 1 | p. 15 |
| 1134-0041-01 | 9 | 4 | p. 17 | 1134-1889-01 | 51 | 1 | p. 27 | 1134-9031-01 | 5 | 1 | p. 23 |
| 1134-0050-00 | 49 | 1 | p. 17 | 1134-1901-01 | 6 | 2 | p. 17 | 4231-0013-00 | 7 | 2 | p. 21 |
| 1134-0051-07 | 37 | 1 | p. 23 | 1134-1916-01 | 29 | 1 | p. 29 | 9400-0064-02 | 33 | 1 | p. 15 |
| 1134-0139-01 | 25 | 1 | p. 27 | 1134-1922-01 | 32 | 1 | p. 15 | 9400-0086-00 | 30 | 1 | p. 15 |
| 1134-0143-00 | 67 | 1 | p. 23 | 1134-1925-02 | 27 | 1 | p. 29 | 9400-0105-01 | 43 | 1 | p. 15 |
| 1134-0153-00 | 56 | 1 | p. 23 | 1134-1927-01 | 5 | 1 | p. 21 | 9400-0225-00 | 337 | 1 | p. 5 |
| 1134-0234-01 | 37 | 1 | p. 15 | 1134-1927-01 | 7 | 1 | p. 27 | 9403-0015-70 | 12 | 2 | p. 15 |
| 1134-0240-00 | 23 | 1 | p. 27 | 1134-1931-01 | 50 | 1 | p. 27 | 9403-0035-10 | 66 | 1 | p. 27 |
| 1134-0269-00 | 3 | 1 | p. 27 | 1134-1933-01 | 8 | 1 | p. 17 | 9403-0110-01 | 1 | 1 | p. 25 |
| 1134-0269-00 | 41 | 1 | p. 21 | 1134-1934-01 | 4 | 1 | p. 21 | 9405-0029-00 | 5 | 2 | p. 15 |
| 1134-0341-01 | 20 | 1 | p. 17 | 1134-1935-01 | 14 | 1 | p. 23 | 9500-9949-00 | 4 | 1 | p. 29 |
| 1134-0341-01 | 30 | 4 | p. 21 | 1134-1936-01 | 24 | 1 | p. 29 | 9501-0500-00 | 15 | 1 | p. 15 |
| 1134-0493-00 | 50 | 1 | p. 17 | 1134-1937-01 | 4 | 1 | p. 21 | 9501-0500-00 | 22 | 2 | p. 21 |
| 1134-0536-00 | 14 | 1 | p. 25 | 1134-1942-01 | 25 | 1 | p. 29 | 9545-0116-00 | 18 | 2 | p. 21 |
| 1134-0583-00 | 3 | 1 | p. 25 | 1134-1949-01 | 15 | 1 | p. 27 | 9545-0117-00 | 29 | 2 | p. 21 |
| 1134-0583-00 | 53 | 1 | p. 23 | 1134-1963-05 | 1 | 1 | p. 15 | 9545-0120-00 | 18 | 2 | p. 21 |
| 1134-0800-06 | 65 | 1 | p. 19 | 1134-1972-01 | 54 | 1 | p. 23 | 9545-0500-00 | 16 | 4 | p. 21 |
| 1134-0858-00 | 9 | 1 | p. 25 | 1134-1975-01 | 65 | 1 | p. 27 | 9549-0019-00 | 39 | 2 | p. 23 |
| 1134-0859-03 | 7 | 1 | p. 25 | 1134-1979-01 | 1 | 1 | p. 21 | 9589-0008-02 | 7 | 1 | p. 29 |
| 1134-1023-00 | 16 | 1 | p. 23 | 1134-1980-01 | 8 | 1 | p. 21 | 9589-0504-00 | 8 | 1 | p. 29 |
| 1134-1023-00 | 35 | 1 | p. 21 | 1134-1981-01 | 28 | 1 | p. 29 | 9595-0160-00 | 37 | 1 | p. 21 |
| 1134-1310-01 | 16 | 1 | p. 17 | 1134-2123-02 | 4 | 1 | p. 27 | 9595-0160-00 | 54 | 1 | p. 27 |
| 1134-1322-01 | 1 | 1 | p. 23 | 1134-2138-01 | 42 | 1 | p. 21 | 9595-0258-00 | 17 | 2 | p. 25 |
| 1134-1348-01 | 17 | 2 | p. 21 | 1134-2163-01 | 34 | 1 | p. 17 | 9595-0262-00 | 2 | 1 | p. 17 |
| 1134-1364-02 | 42 | 1 | p. 27 | 1134-2166-01 | 35 | 1 | p. 17 | 9595-0262-00 | 4 | 1 | p. 17 |
| 1134-1396-02 | 60 | 1 | p. 23 | 1134-2267-01 | 25 | 1 | p. 15 | 9600-0050-00 | 2 | 1 | p. 27 |
| 1134-1424-01 | 5 | 1 | p. 17 | 1134-2310-01 | 52 | 1 | p. 15 | 9600-0250-00 | 59 | 1 | p. 27 |
| 1134-1428-01 | 23 | 1 | p. 21 | 1134-2333-01 | 31 | 1 | p. 15 | 9632-0516-00 | 6 | 3 | p. 15 |
| 1134-1428-02 | 25 | 1 | p. 21 | 1134-2358-01 | 7 | 1 | p. 15 | 9646-0099-22 | 8 | 1 | p. 25 |
| 1134-1437-02 | 0 | 1 | p. 25 | 1134-2390-01 | 1 | 1 | p. 17 | 9650-0016-04 | 31 | 1 | p. 27 |
| 1134-1437-02 | 999 | 1 | p. 25 | 1134-2453-01 | 66 | 1 | p. 23 | 9650-0020-04 | 19 | 5 | p. 21 |
| 1134-1438-02 | 18 | 1 | p. 23 | 1134-2454-01 | 67 | 1 | p. 19 | 9650-0020-04 | 21 | 1 | p. 17 |
| 1134-1486-01 | 36 | 1 | p. 23 | 1134-2541-01 | 65 | 1 | p. 17 | 9651-0040-04 | 38 | 2 | p. 23 |
| 1134-1500-02 | 23 | 1 | p. 17 | 1134-2541-01 | 65 | 1 | p. 17 | 9672-0004-02 | 33 | 2 | p. 17 |
| 1134-1561-01 | 10 | 2 | p. 29 | 1134-2669-01 | 27 | 2 | p. 21 | 9672-0004-02 | 50 | 2 | p. 23 |
| 1134-1565-01 | 11 | 2 | p. 29 | 1134-2684-01 | 13 | 2 | p. 25 | 9672-0006-02 | 68 | 2 | p. 19 |
| 1134-1569-01 | 12 | 1 | p. 23 | 1134-2846-01 | 43 | 1 | p. 17 | 9675-0008-02 | 10 | 1 | p. 25 |
| 1134-1583-01 | 24 | 1 | p. 21 | 1134-2847-01 | 69 | 1 | p. 19 | 9675-0011-00 | 61 | 1 | p. 23 |
| 1134-1594-01 | 60 | 1 | p. 27 | 1134-2848-01 | 42 | 1 | p. 15 | 9675-0012-02 | 12 | 1 | p. 25 |
| 1134-1595-02 | 14 | 1 | p. 15 | 1134-2852-01 | 41 | 1 | p. 15 | 9675-0017-02 | 53 | 4 | p. 17 |
| 1134-1604-01 | 18 | 1 | p. 25 | 1134-2853-01 | 41 | 1 | p. 15 | 9695-0002-00 | 68 | 1 | p. 23 |
| 1134-1631-02 | 20 | 1 | p. 27 | 1134-2911-01 | 11 | 1 | p. 25 | 9696-0013-01 | 21 | 1 | p. 23 |
| 1134-1633-01 | 24 | 1 | p. 23 | 1134-2961-01 | 54 | 2 | p. 17 | 9696-0013-01 | 21 | 1 | p. 27 |
| 1134-1633-01 | 32 | 1 | p. 27 | 1134-2962-01 | 45 | 1 | p. 15 | 9699-0025-02 | 2 | 1 | p. 25 |
| 1134-1634-01 | 21 | 1 | p. 21 | 1134-3022-01 | 11 | 3 | p. 17 | 9699-0025-02 | 52 | 2 | p. 23 |
| 1134-1643-01 | 13 | 2 | p. 15 | 1134-3022-01 | 70 | 1 | p. 19 | 9699-0028-02 | 17 | 2 | p. 23 |
| 1134-1647-01 | 29 | 1 | p. 23 | 1134-3043-01 | 6 | 1 | p. 23 | 9699-0028-02 | 71 | 2 | p. 19 |
| 1134-1650-01 | 52 | 2 | p. 17 | 1134-3053-01 | 25 | 1 | p. 23 | 9699-0035-02 | 34 | 2 | p. 23 |
| 1134-1652-01 | 48 | 1 | p. 17 | 1134-3176-01 | 15 | 2 | p. 21 | 9699-0037-02 | 22 | 1 | p. 27 |
| 1134-1691-02 | 21 | 1 | p. 29 | 1134-3247-02 | 25 | 2 | p. 17 | 9699-0054-02 | 4 | 1 | p. 15 |
| 1134-1694-04 | 0 | 1 | p. 13 | 1134-3252-02 | 42 | 1 | p. 17 | 9699-0060-02 | 2 | 1 | p. 29 |
| 1134-1694-04 | 22 | 1 | p. 29 | 1134-3252-02 | 59 | 1 | p. 23 | 9699-0062-02 | 22 | 2 | p. 23 |
| 1134-1711-01 | 58 | 2 | p. 17 | 1134-3270-01 | 39 | 1 | p. 15 | 9699-0062-02 | 57 | 2 | p. 17 |
| 1134-1795-01 | 44 | 1 | p. 27 | 1134-3300-01 | 56 | 1 | p. 15 | 9699-0087-02 | 23 | 2 | p. 15 |
| 1134-1814-01 | 41 | 1 | p. 15 | 1134-3536-01 | 20 | 1 | p. 15 | 9699-0088-02 | 20 | 3 | p. 21 |
| | | | | 1134-3557-01 | 99 | 1 | p. 15 | 9699-0090-02 | 15 | 1 | p. 17 |

| code | pos. | q.ty | page | | | | | | | | | | | |
|--------------|------|------|-------|--------|------|---|-------|--------|------|---|-------|--|--|--|
| 9699-0090-02 | 19 | 1 | p. 23 | 22963 | 670 | 4 | p. 11 | 221798 | 851 | 1 | p. 11 | | | |
| 9699-0090-02 | 36 | 1 | p. 21 | 26828 | 36 | 1 | p. 3 | 222112 | 182 | 1 | p. 9 | | | |
| 9699-0090-02 | 40 | 4 | p. 27 | 27803 | 9 | 1 | p. 3 | 222114 | 31 | 1 | p. 3 | | | |
| 9699-0103-02 | 3 | 1 | p. 17 | 63770 | 68 | 3 | p. 5 | 222175 | 725 | 1 | p. 11 | | | |
| 9699-0103-02 | 3 | 1 | p. 17 | 65906 | 35 | 1 | p. 3 | 222450 | 230 | 1 | p. 5 | | | |
| 9699-0114-02 | 3 | 1 | p. 17 | 66538 | 635 | 1 | p. 7 | 222475 | 37 | 1 | p. 3 | | | |
| 9699-0114-02 | 3 | 1 | p. 17 | 68546 | 27 | 2 | p. 3 | 222561 | 455 | 1 | p. 5 | | | |
| 9739-0631-22 | 4 | 2 | p. 25 | 68838 | 524 | 1 | p. 5 | 222562 | 468 | 1 | p. 5 | | | |
| 9739-0631-22 | 6 | 2 | p. 21 | 90832 | 169 | 2 | p. 9 | 222598 | 655 | 1 | p. 7 | | | |
| 9739-0631-22 | 48 | 4 | p. 27 | 90970 | 185 | 2 | p. 9 | 222636 | 308 | 1 | p. 5 | | | |
| 9739-0831-22 | 1 | 4 | p. 27 | 92284 | 332 | 1 | p. 5 | 222698 | 24 | 1 | p. 3 | | | |
| 9739-0831-22 | 12 | 5 | p. 21 | 92613 | 562 | 1 | p. 5 | 222813 | 182 | 1 | p. 9 | | | |
| 9739-0831-22 | 14 | 2 | p. 29 | 92659 | 32 | 2 | p. 3 | 223394 | 422 | 1 | p. 5 | | | |
| 9739-0831-22 | 16 | 2 | p. 15 | 92987 | 373 | 4 | p. 5 | 223540 | 725 | 1 | p. 7 | | | |
| 9739-0831-22 | 18 | 4 | p. 17 | 93053 | 601 | 2 | p. 11 | 224061 | 75 | 1 | p. 5 | | | |
| 9739-0831-22 | 23 | 3 | p. 23 | 93053 | 6001 | 2 | p. 11 | 224540 | 108 | 1 | p. 9 | | | |
| 9739-1031-22 | 8 | 1 | p. 23 | 93306 | 614 | 1 | p. 7 | 224543 | 306 | 1 | p. 5 | | | |
| 9739-1031-22 | 15 | 2 | p. 25 | 93307 | 615 | 1 | p. 7 | 224614 | 646 | 1 | p. 11 | | | |
| 9739-1031-22 | 37 | 1 | p. 27 | 93381 | 334 | 2 | p. 9 | 224668 | 130 | 1 | p. 9 | | | |
| 9743-3621-32 | 20 | 4 | p. 29 | 93394 | 10 | 2 | p. 3 | 230543 | 64 | 1 | p. 3 | | | |
| 9743-3721-32 | 31 | 2 | p. 21 | 93496 | 657 | 1 | p. 7 | 231058 | 225 | 1 | p. 5 | | | |
| 9747-0631-02 | 39 | 1 | p. 21 | 93535 | 188 | 1 | p. 9 | 231082 | 592 | 1 | p. 5 | | | |
| 9747-0631-02 | 52 | 1 | p. 27 | 93535 | 728 | 2 | p. 11 | 231218 | 871 | 1 | p. 7 | | | |
| 9747-0831-02 | 14 | 5 | p. 17 | 93559 | 836 | 1 | p. 7 | 231789 | 104 | 1 | p. 9 | | | |
| 9747-0831-02 | 20 | 1 | p. 23 | 93585 | 22 | 6 | p. 3 | 231790 | 105 | 1 | p. 9 | | | |
| 9747-0831-02 | 26 | 1 | p. 29 | 93621 | 482 | 2 | p. 9 | 231794 | 147 | 1 | p. 9 | | | |
| 9747-0831-02 | 29 | 1 | p. 27 | 93630 | 42 | 2 | p. 3 | 260414 | 63 | 1 | p. 3 | | | |
| 9747-0831-02 | 34 | 1 | p. 21 | 93634 | 188 | 1 | p. 9 | 260871 | 209 | 1 | p. 5 | | | |
| 9794-5131-02 | 46 | 2 | p. 15 | 93705 | 346 | 2 | p. 5 | 260933 | 45 | 2 | p. 3 | | | |
| 9795-3631-02 | 20 | 4 | p. 29 | 93723 | 14 | 1 | p. 3 | 261055 | 34 | 1 | p. 3 | | | |
| 9799-0831-02 | 53 | 2 | p. 27 | 93758 | 74 | 3 | p. 5 | 261190 | 1020 | 1 | p. 7 | | | |
| 9847-8016-16 | 55 | 1 | p. 23 | 93776 | 13 | 2 | p. 3 | 261961 | 871 | 1 | p. 7 | | | |
| 9849-8009-16 | 44 | 4 | p. 15 | 93803 | 184 | 2 | p. 9 | 262479 | 741 | 1 | p. 7 | | | |
| 9849-8009-16 | 64 | 2 | p. 27 | 93805 | 78 | 3 | p. 5 | 262768 | 216 | 1 | p. 9 | | | |
| 9849-8013-16 | 22 | 2 | p. 15 | 93874 | 761 | 2 | p. 7 | 262769 | 201 | 1 | p. 5 | | | |
| 9898-0635-12 | 2 | 2 | p. 21 | 93949 | 307 | 1 | p. 5 | 262787 | 232 | 1 | p. 5 | | | |
| 9898-0635-12 | 49 | 2 | p. 27 | 94003 | 310 | 2 | p. 9 | 262803 | 618 | 1 | p. 11 | | | |
| 9898-0820-16 | 55 | 2 | p. 17 | 94042 | 613 | 2 | p. 5 | 270824 | 52 | 1 | p. 9 | | | |
| 9942-0612-16 | 34 | 1 | p. 15 | 94098 | 95 | 2 | p. 9 | 270920 | 842 | 1 | p. 7 | | | |
| 9942-0816-16 | 30 | 2 | p. 29 | 94108 | 965 | 2 | p. 11 | 271701 | 12 | 1 | p. 3 | | | |
| 9942-1030-16 | 12 | 4 | p. 17 | 94128 | 65 | 4 | p. 3 | 272163 | 7 | 1 | p. 3 | | | |
| 9959-0612-16 | 63 | 2 | p. 27 | 94160 | 1021 | 1 | p. 7 | 272309 | 883 | 1 | p. 7 | | | |
| 9959-0816-16 | 17 | 2 | p. 15 | 94239 | 15 | 1 | p. 3 | 272405 | 535 | 1 | p. 9 | | | |
| 9959-0816-16 | 17 | 5 | p. 17 | 94288 | 896 | 1 | p. 11 | 272465 | 51 | 1 | p. 9 | | | |
| 9959-0820-16 | 11 | 4 | p. 21 | 94314 | 171 | 2 | p. 5 | 280005 | 11 | 1 | p. 3 | | | |
| 9959-0820-16 | 58 | 1 | p. 23 | 94315 | 189 | 2 | p. 5 | 280104 | 783 | 1 | p. 11 | | | |
| 9959-0825-16 | 30 | 1 | p. 17 | 94326 | 284 | 1 | p. 9 | 280133 | 525 | 1 | p. 5 | | | |
| 9959-0825-16 | 43 | 1 | p. 27 | 94419 | 284 | 1 | p. 5 | 281106 | 537 | 1 | p. 9 | | | |
| 9959-1020-16 | 16 | 2 | p. 25 | 94419 | 663 | 2 | p. 7 | 281108 | 872 | 1 | p. 11 | | | |
| 9987-5016-16 | 1 | 1 | p. 29 | 94513 | 224 | 1 | p. 9 | 281159 | 729 | 1 | p. 7 | | | |
| 9987-5338-12 | 39 | 1 | p. 27 | 94565 | 13 | 6 | p. 3 | 281164 | 138 | 1 | p. 9 | | | |
| 9988-3616-16 | 56 | 4 | p. 17 | 94602 | 683 | 2 | p. 11 | 281165 | 137 | 1 | p. 9 | | | |
| 9988-3619-16 | 15 | 4 | p. 29 | 94608 | 305 | 4 | p. 5 | 281166 | 987 | 1 | p. 11 | | | |
| 9997-0825-16 | 72 | 4 | p. 19 | 94616 | 123 | 2 | p. 9 | 281167 | 634 | 1 | p. 11 | | | |
| 9997-0840-16 | 24 | 5 | p. 27 | 94620 | 258 | 1 | p. 9 | 281168 | 634 | 1 | p. 11 | | | |
| 9997-0845-12 | 42 | 1 | p. 23 | 94637 | 53 | 2 | p. 9 | 281169 | 106 | 1 | p. 9 | | | |
| 9997-0855-12 | 9 | 2 | p. 29 | 94642 | 955 | 1 | p. 11 | 292260 | 41 | 1 | p. 3 | | | |
| 9997-0855-12 | 41 | 1 | p. 23 | 211661 | 869 | 1 | p. 7 | 294606 | 3 | 1 | p. 3 | | | |
| 9997-1030-16 | 47 | 1 | p. 27 | 211661 | 870 | 1 | p. 7 | 295840 | 28 | 1 | p. 3 | | | |
| 9997-1050-16 | 35 | 1 | p. 23 | 211689 | 46 | 1 | p. 3 | 295871 | 56 | 1 | p. 3 | | | |
| 9997-1080-12 | 33 | 1 | p. 23 | 212286 | 5 | 1 | p. 3 | 295963 | 19 | 1 | p. 3 | | | |
| 9997-1450-16 | 24 | 1 | p. 23 | 212359 | 757 | 1 | p. 7 | 296004 | 187 | 1 | p. 9 | | | |
| 9997-1450-16 | 32 | 1 | p. 27 | 213819 | 164 | 1 | p. 9 | 298260 | 23 | 1 | p. 3 | | | |
| 19165 | 363 | 1 | p. 5 | 221428 | 527 | 2 | p. 9 | 298799 | 70 | 1 | p. 5 | | | |
| 22776 | 670 | 2 | p. 11 | 221535 | 265 | 1 | p. 5 | 298909 | 759 | 1 | p. 7 | | | |
| 22963 | 670 | 2 | p. 11 | 221596 | 40 | 1 | p. 3 | 299577 | 358 | 1 | p. 5 | | | |
| | | | | 221796 | 73 | 1 | p. 5 | 390172 | 758 | 1 | p. 7 | | | |

| code | pos. | q.ty | page | | | | |
|--------|------|------|-------|--------------|----|---|-------|
| 390225 | 180 | 1 | p. 9 | 774660 | 1 | 1 | p. 13 |
| 390391 | 608 | 1 | p. 5 | 774740 | 2 | 1 | p. 13 |
| 390402 | 29 | 1 | p. 3 | 774741 | 3 | 1 | p. 13 |
| 390405 | 183 | 1 | p. 9 | 775118 | 2 | 1 | p. 13 |
| 390406 | 183 | 1 | p. 9 | 775119 | 3 | 1 | p. 13 |
| 390419 | 33 | 1 | p. 3 | 778068 | 5 | 2 | p. 13 |
| 390837 | 544 | 1 | p. 11 | 778221 | 4 | 2 | p. 13 |
| 391086 | 20 | 1 | p. 3 | 778368 | 4 | 2 | p. 13 |
| 391406 | 8 | 1 | p. 3 | 778368 | 5 | 2 | p. 13 |
| 391529 | 887 | 1 | p. 11 | 780001 | 8 | 2 | p. 13 |
| 391669 | 26 | 1 | p. 3 | 780077 | 13 | 2 | p. 13 |
| 391673 | 25 | 1 | p. 3 | 780096 | 7 | 2 | p. 13 |
| 391840 | 523 | 1 | p. 5 | 786040 | 6 | 1 | p. 13 |
| 391983 | 23 | 1 | p. 3 | 786114 | 6 | 1 | p. 29 |
| 392066 | 847 | 1 | p. 7 | 788067 | 90 | 1 | p. 13 |
| 392134 | 726 | 1 | p. 11 | 792041 | 11 | 4 | p. 13 |
| 392548 | 18 | 1 | p. 3 | 792072 | 5 | 1 | p. 29 |
| 393422 | 878 | 1 | p. 11 | 792125 | 10 | 4 | p. 13 |
| 393576 | 55 | 1 | p. 3 | P000-7743-44 | 1 | 1 | p. 13 |
| 393757 | 676 | 1 | p. 7 | P000-7743-45 | 1 | 1 | p. 13 |
| 393814 | 877 | 1 | p. 11 | P000-7747-40 | 2 | 1 | p. 13 |
| 394506 | 71 | 1 | p. 5 | P000-7747-41 | 3 | 1 | p. 13 |
| 394805 | 309 | 1 | p. 9 | P000-7780-68 | 5 | 2 | p. 13 |
| 394856 | 801 | 1 | p. 11 | P000-7782-21 | 4 | 2 | p. 13 |
| 394897 | 67 | 1 | p. 5 | P000-7800-01 | 8 | 2 | p. 13 |
| 395537 | 802 | 1 | p. 11 | P000-7800-77 | 13 | 2 | p. 13 |
| 395538 | 311 | 4 | p. 9 | P000-7800-96 | 7 | 2 | p. 13 |
| 396269 | 1 | 1 | p. 3 | P000-7860-40 | 6 | 1 | p. 13 |
| 396847 | 621 | 1 | p. 7 | P000-7920-41 | 11 | 4 | p. 13 |
| 396876 | 16 | 1 | p. 3 | P000-7921-25 | 10 | 4 | p. 13 |
| 398003 | 513 | 1 | p. 9 | P007-8806-7B | 90 | 1 | p. 13 |
| 398159 | 803 | 1 | p. 11 | | | | |
| 398507 | 300 | 1 | p. 5 | | | | |
| 398808 | 356 | 1 | p. 5 | | | | |
| 398811 | 333 | 1 | p. 9 | | | | |
| 399267 | 2 | 1 | p. 3 | | | | |
| 399671 | 66 | 1 | p. 3 | | | | |
| 490179 | 57 | 1 | p. 3 | | | | |
| 490421 | 510 | 1 | p. 9 | | | | |
| 490467 | 876 | 1 | p. 11 | | | | |
| 490652 | 60 | 1 | p. 3 | | | | |
| 490653 | 59 | 1 | p. 3 | | | | |
| 490817 | 1016 | 1 | p. 7 | | | | |
| 491397 | 219 | 1 | p. 5 | | | | |
| 491986 | 552 | 1 | p. 5 | | | | |
| 493935 | 227 | 1 | p. 5 | | | | |
| 493960 | 958 | 1 | p. 11 | | | | |
| 493988 | 181 | 1 | p. 9 | | | | |
| 494084 | 304 | 1 | p. 5 | | | | |
| 494328 | 356 | 1 | p. 5 | | | | |
| 494378 | 975 | 1 | p. 11 | | | | |
| 494380 | 141 | 1 | p. 9 | | | | |
| 494381 | 133 | 1 | p. 9 | | | | |
| 494382 | 98 | 1 | p. 9 | | | | |
| 494383 | 118 | 1 | p. 9 | | | | |
| 494451 | 611 | 1 | p. 11 | | | | |
| 494731 | 304 | 1 | p. 5 | | | | |
| 494745 | 875 | 1 | p. 11 | | | | |
| 494877 | 142 | 1 | p. 9 | | | | |
| 494880 | 121 | 1 | p. 9 | | | | |
| 494885 | 131 | 1 | p. 9 | | | | |
| 494887 | 222 | 1 | p. 5 | | | | |
| 494894 | 125 | 1 | p. 9 | | | | |
| 774344 | 1 | 1 | p. 13 | | | | |
| 774345 | 1 | 1 | p. 13 | | | | |
| 774659 | 1 | 1 | p. 13 | | | | |