

Genuine Spare Parts

www.stiga.com

SNOW FOX Model Year 2011/12

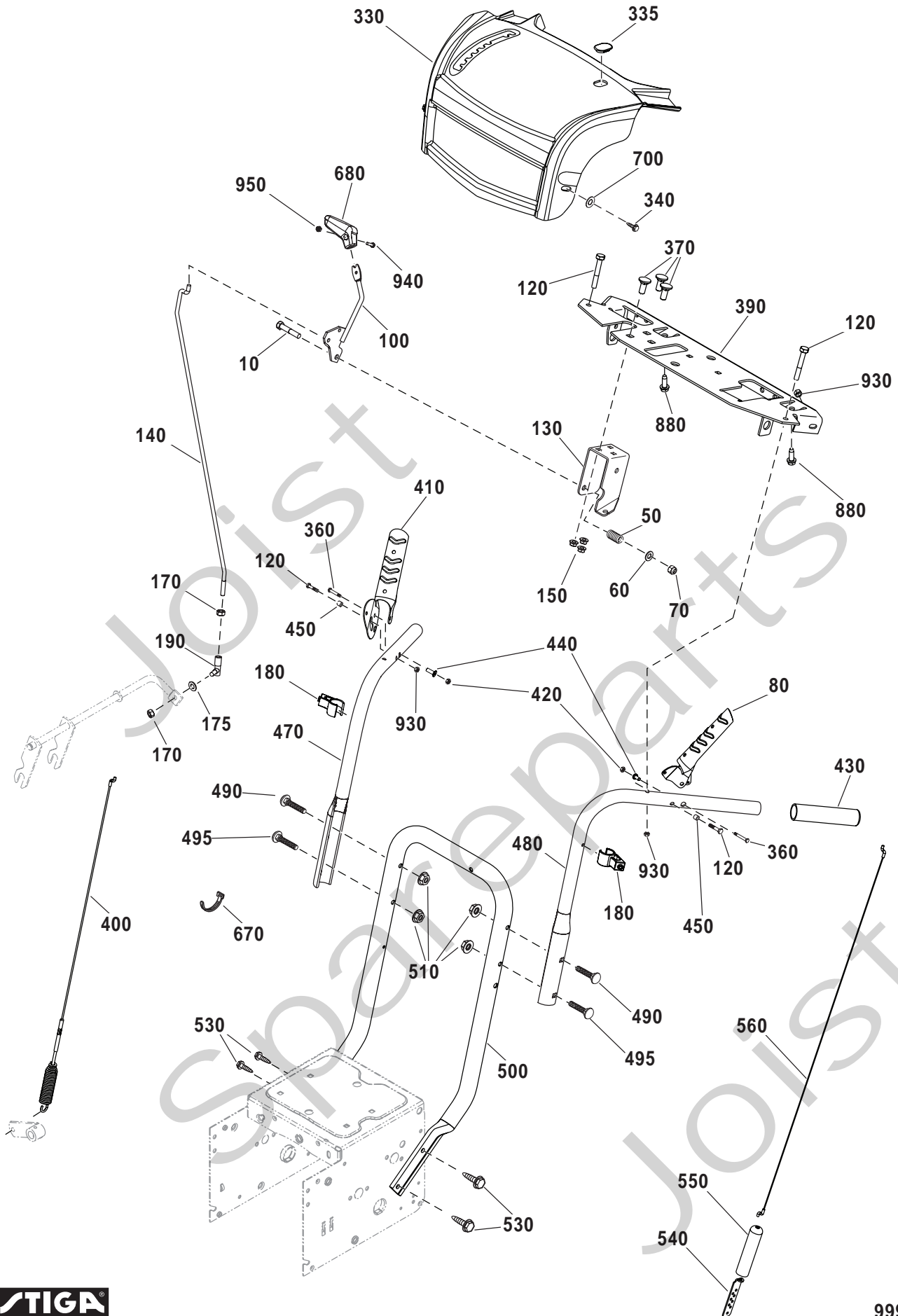
includes:
18-2869-31 Snow Fox

- Use GLOBAL GARDEN PRODUCT Genuine Spare Parts specified in the parts list for repair and/or replacement.
- The contents described in the parts list may change due to improvement.
- The drawings of the spare parts are only indicative and might not represent the part in question exactly.
- The indications "right" - "left" - "front" - "rear" refer to the position of the operator when using the machine.
- When placing orders of parts for repair and/or replacement, make sure that the illustrated parts list is the one applying to the machine's year of manufacture, as shown on the identification plate attached to the machine.

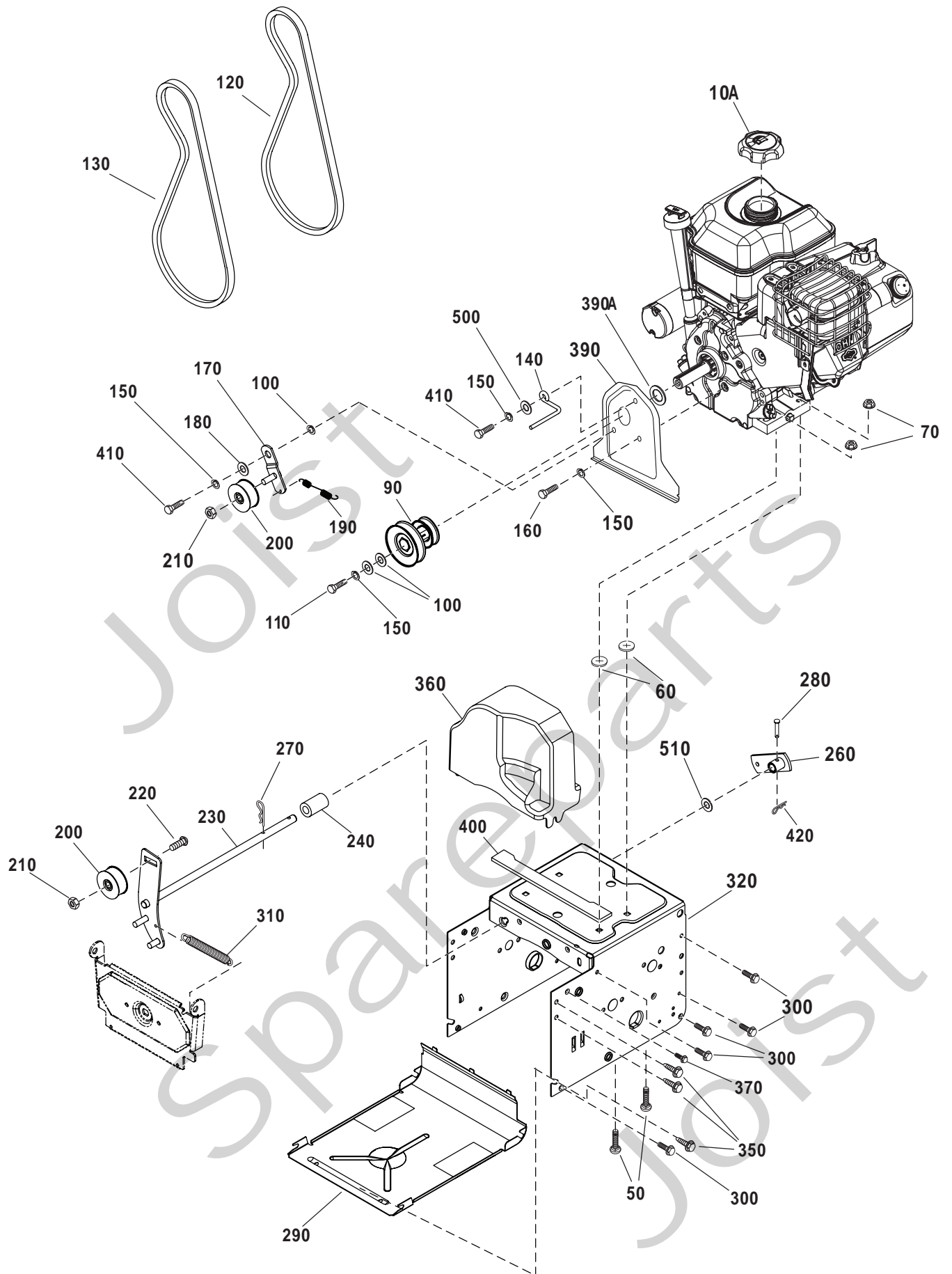
COPYRIGHT by GLOBAL GARDEN PRODUCTS

All rights reserved. No part of this material may be reproduced or transmitted, in any form or by any means, electronic or mechanical, including photocopying, recording or by any information storage and retrieval system, without permission in writing from GLOBAL GARDEN PRODUCTS.

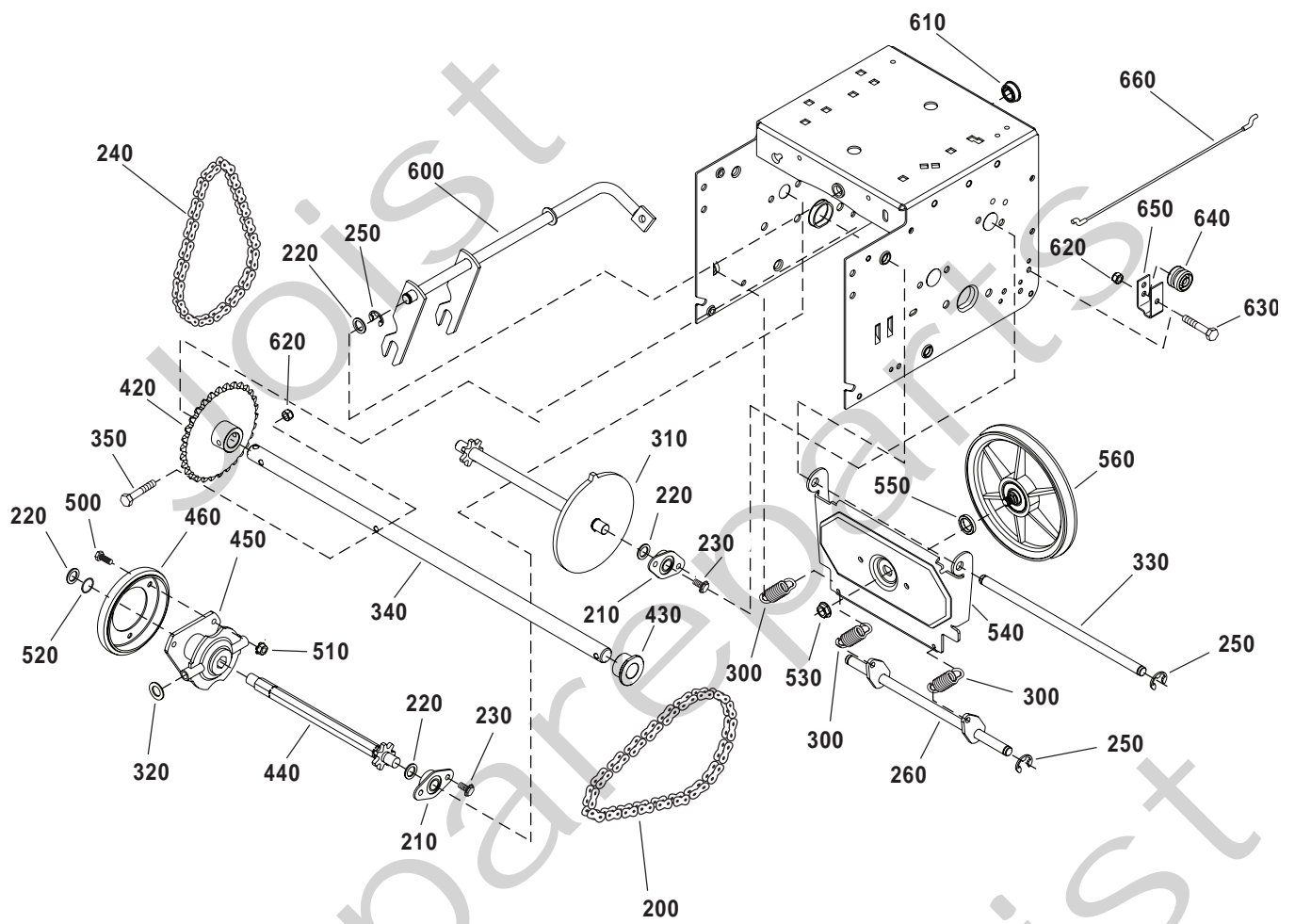




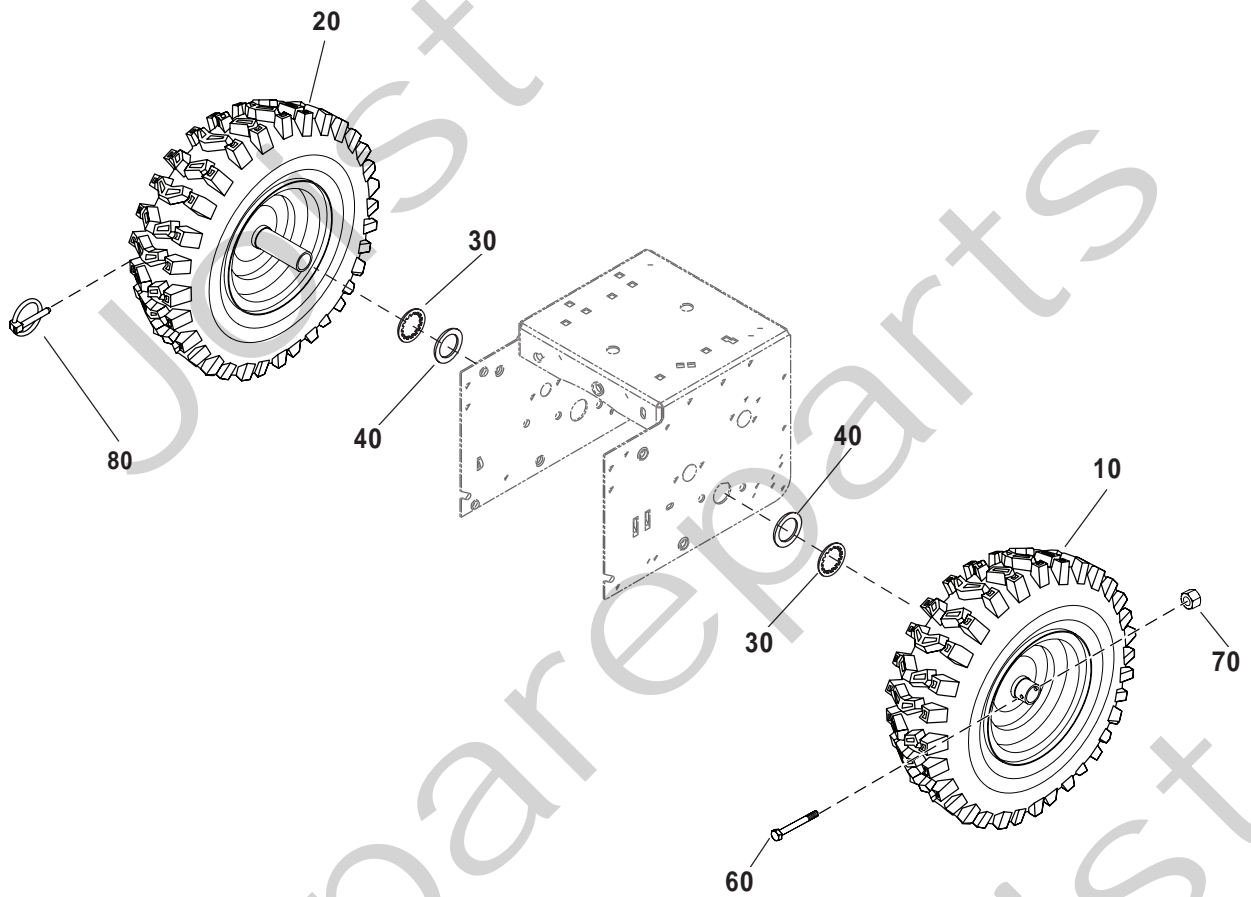
Utgåva Issue		Bildnr Picture No		SNOW FOX STYRE REGLAGE		SNOW FOX HANDLE CONTROLS		Sida Page	
2011-14		2838						46	
Pos. Fig.	Antal/Quantity				Art nr Part No	Benämning	Description	Sats Kit	Anmärkning Notes
	2869 -31								
	10	1			9988-3751-12	Skruv.....	Screw.....		
	50	1			1812-0304-01	Fjäder.....	Spring.....		
	60	1			9699-0029-02	Planbricka.....	Flat washer.....		
	70	1			9743-3721-32	Mutter.....	Nut.....		
	80	1			1812-2605-01	Koppl.reglage-vä.....	Clutch lever-LH.....		
	100	1			1812-2511-01	Regl.spak- hastighet.....	Speed lever.....		
	120	4			9988-3545-12	Skruv.....	Screw.....		
	130	1			1812-2417-01	Fäste.....	Controls brkt.....		
X	140	1			1812-2751-01	Reglagestång.....	Rod, speed control.....		
	150	3			9727-3641-22	Mutter.....	Nut.....		
	170	2			9794-5131-02	Mutter.....	Nut.....		
	175	1			9683-0030-02	Fjäderbricka.....	Spring washer.....		
X	180	2			1812-2738-01	Monteringsfäste.....	Bracket, mounting.....		
	190	1			1812-2562-01	Kulled.....	Ball joint.....		
X	330	1			1812-2792-01	Panel.....	Dash.....		
X	335	1			1812-2753-01	Plugg.....	Plug.....		
	340	2			1812-2257-01	Skruv.....	Screw.....		
	360	2			1812-2623-01	Ansatsbult.....	Shoulder bolt.....		
	370	4			9899-3625-16	Skruv.....	Screw.....		
	390	1			1812-2575-01	Panelfäste.....	Dash support.....		
	400	1			1812-2542-01	Reglagewire- snöskruv.....	Drive cable- auger.....		
	410	1			1812-2606-01	Koppl.reglage- hö.....	Clutch lever- RH.....		
	420	2			1812-2256-01	Mutter.....	Nut.....		
	430	2			1812-2351-01	Handtag.....	Hand grip.....		
	440	2			1812-2412-01	Distans.....	Stepped spacer.....		
	450	2			1812-2148-01	Distans.....	Spacer.....		
	470	1			1812-2317-01	Styre överdel- hö.....	Handle upper- RH.....		
	480	1			1812-2316-01	Styre överdel- vä.....	Handle upper- LH.....		
	490	2			1812-2479-01	Vagnsbult.....	Carriage bolt.....		L = 57 mm
	495	2			1812-2476-01	Vagnsbult.....	Carriage bolt.....		L = 45 mm
	500	1			1812-2519-01	Styre- undre.....	Handle- lower.....		
	510	4			9743-3621-32	Mutter.....	Nut.....		
	530	4			1812-2641-01	Skruv.....	Screw.....		
	540	1			1133-0977-01	Wirefäste.....	Cable adjust bracket.....		
	550	1			1133-0968-01	Wirehylsa.....	Clutch spring boot.....		
	560	1			1812-2029-01	Reglagewire.....	Control cable.....		
	670	5			1812-2371-01	Buntband.....	Self lock tie.....		
	680	1			1812-2379-01	Knopp.....	Knob.....		
	700	2			9699-0026-02	Planbricka.....	Flat washer.....		
X	880	2			1812-2765-01	Skruv.....	Screw.....		
	930	4			9743-3521-32	Mutter.....	Nut.....		
	940	1			1812-2481-01	Skruv.....	Screw.....		
	950	1			1812-2256-01	Mutter.....	Nut.....		
X	999	1			8218-2258-20	Bruksanvisning.....	Owner's manual.....		Ej ill/not ill.



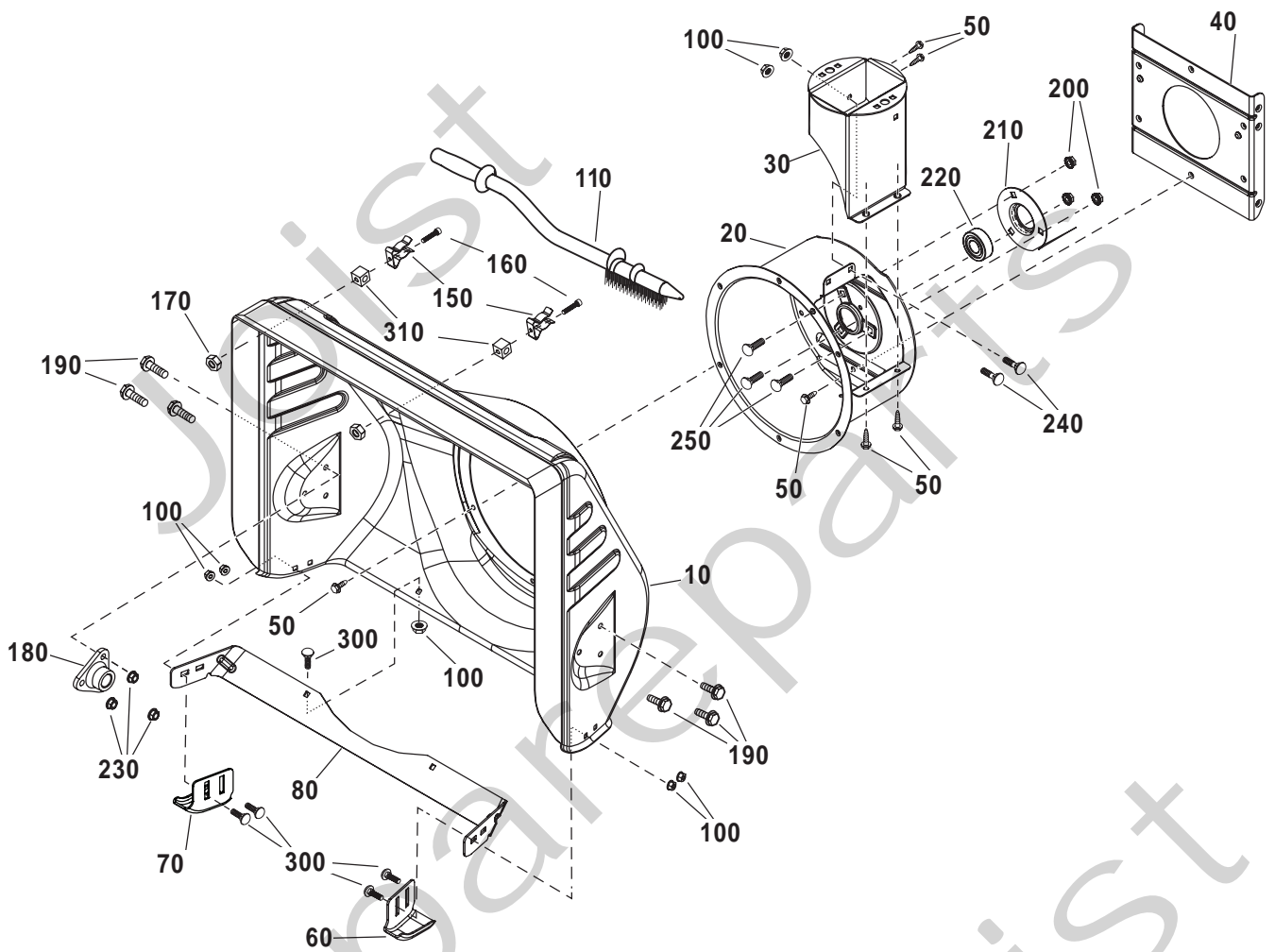
Utgåva Issue		Bildnr Picture No		SNOW FOX RAM MOTOR		SNOW FOX FRAME ENGINE		Sida Page	
2011-14		2839						48	
Pos. Fig.	Antal/Quantity				Art nr Part No	Benämning	Description	Sats Kit	Anmärkning Notes
	2869 -31								
X	10A	1			795027	Tanklock	Fuel cap.....		B&S- part
	50	4			9899-3638-12	Skruv	Screw		
	60	4			1812-1681-01	Hållare	Retainer		
	70	4			9743-3621-32	Mutter	Nut		
	90	1			1812-1719-01	Motorremskiva	Engine pulley.....		
	100	3			1812-2248-01	Bricka	Washer.....		
	110	1			9987-5132-12	Skruv	Screw		
	120	1			1812-2220-01	Kilrem- drivning	Belt- traction drive.....		
X	130	1			1812-2784-01	Kilrem- snöskruv	Belt- auger.....		
	140	1			1812-2443-01	Remstyrning	Belt guide		
	150	4			9683-0030-02	Låsbricka	Lock washer.....		
	160	1			9987-5119-16	Skruv	Screw.....		
	170	1			1812-1722-01	Spännrullsfäste.....	Idler bracket.....		
	180	1			1812-1705-01	Bussning	Bushing.....		
	190	1			1812-2489-01	Fjäder.....	Ext.idler spring.....		
	200	2			1812-2077-01	Spännrulle	Tension roller		
	210	2			9743-3721-32	Mutter	Nut		
	220	1			9899-3732-16	Skruv	Screw.....		
X	230	1			1812-2796-01	Spännarm	Auger idler		
	240	1			1812-1741-01	Distans	Spacer.....		
	260	1			1812-2308-01	Reglagearm	Control arm.....		
	270	1			1812-2490-01	Låsnål.....	Hair pin		
	280	1			1812-2407-01	Sprint.....	Clevis pin		
	290	1			1812-2465-01	Bottenplåt	Bottom cover		
	300	10			1812-2250-01	Skruv	Screw.....		
	310	1			1812-1763-01	Fjäder.....	Spring		
X	320	1			1812-2788-01	Ram	Frame.....		
	350	6			1812-2141-01	Skruv	Screw.....		
X	360	1			1812-2787-01	Remskydd	Belt cover		
X	370	2			1812-2748-01	Skruv	Screw.....		
	390	1			1812-2504-01	Regnskydd.....	Water shield		
	390A	1			1812-2505-01	Tätning	Foam seal		
	400	1			1812-2614-01	Tätningslist.....	Seal strip.....		
	410	2			9987-5125-16	Skruv	Screw.....		
	420	1			1812-2281-01	Låsnål.....	Cotter pin		
	500	1			1812-2657-01	Bricka	Flat washer.....		
	510	1			9699-0038-02	Planbricka.....	Flat washer.....		



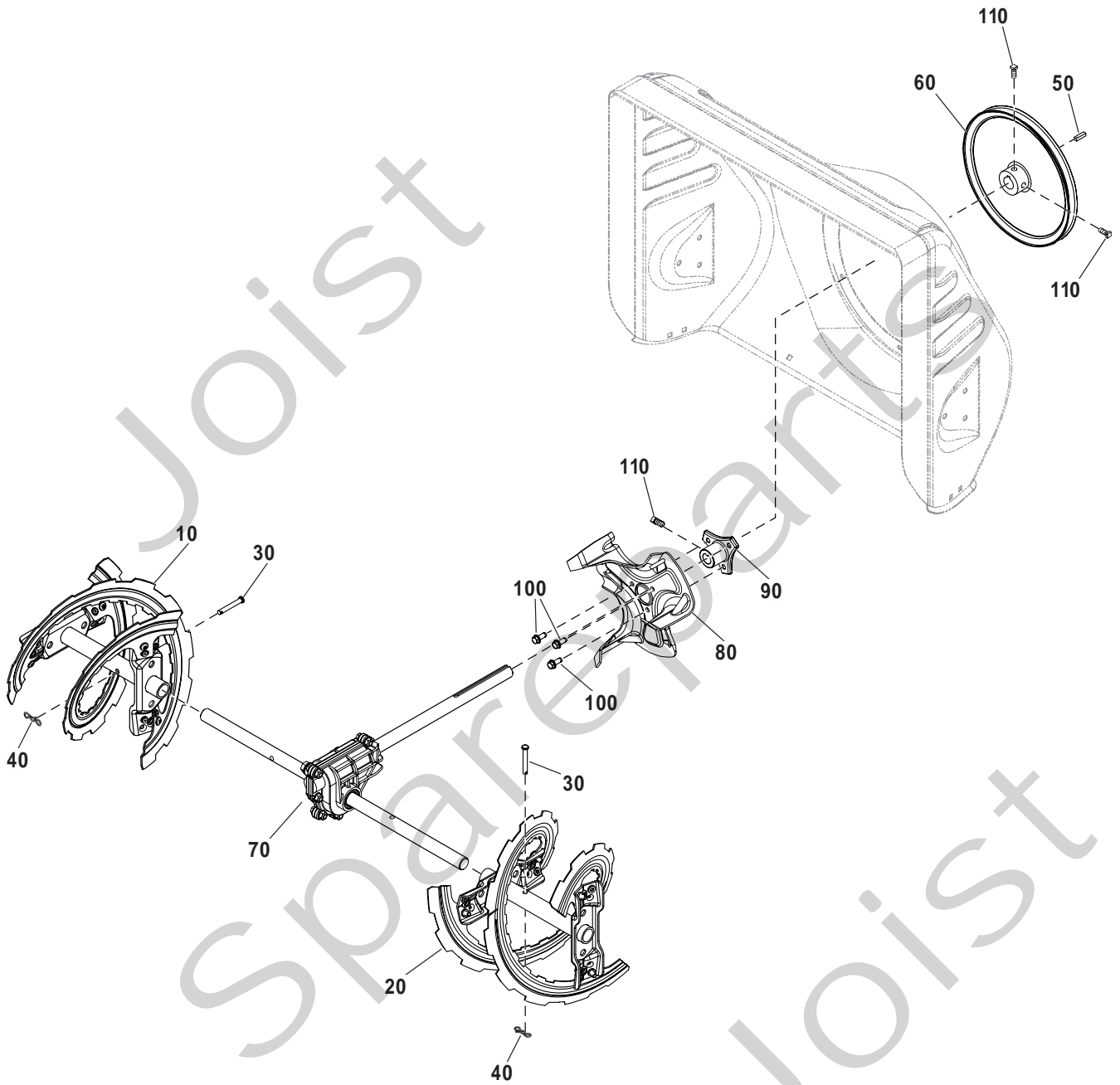
Utgåva Issue		Bildnr Picture No		SNOW FOX DRIVNING		SNOW FOX TRACTION DRIVE		Sida Page	
2011-14		2840						50	
Pos. Fig.	Antal/Quantity				Art nr Part No	Benämning	Description	Sats Kit	Anmärkning Notes
	2869 -31								
X 200	1			1812-1686-01	Kedja	Chain			
210	4			1812-1178-01	Glidlager m.hållare	Bearing & retainer			
220	5			1812-1204-01	Bricka	Washer			
230	8			1812-2249-01	Skruv	Screw			
240	1			1812-1688-01	Kedja	Chain			
250	5			1812-1672-01	Låsring	Retainer ring			
260	1			1812-2076-01	Fjäderlänkarm	Spring link			
300	3			1812-2410-01	Fjäder	Extension spring			
X 310	1			1812-2773-01	Axel m drev	Sprocket set			
320	2			9699-0038-02	Planbricka	Flat washer			
330	1			1812-1713-01	Axel- svängplatta	Axle- swing plate			
340	1			1812-1862-01	Hjulaxel	Axle shaft			
350	1			1812-1755-01	Skruv	Screw			
420	1			1812-1712-01	Kedjedrev	Sprocket			
430	2			1812-1724-01	Lager	Axle bearing			
440	1			1812-1750-01	Sexkantsaxel	Hex shaft			
X 450	1			1812-2734-01	Nav, friktionshjul	Hub, friction wheel			
460	1			1812-9028-01	Friktionshjul	Friction disc wheel			
500	3			9988-3516-16	Skruv	Screw			
510	3			9795-3531-02	Mutter	Nut			
520	1			1812-2380-01	Låsring	Retext ring			
530	1			1812-1674-01	Flänslåsmutter	Flange lock nut			
540	1			1812-1701-01	Svängplatta	Swing plate			
550	1			1812-1739-01	Distans	Spacer			
560	1			1812-1725-01	Friktionsremskiva	Friction pulley			
600	1			1812-1720-01	Växelarm	Yoke rod			
610	1			1812-1219-01	Plastbussning	Plastic bushing			
620	2			9743-3521-32	Mutter	Nut			
630	1			9988-3538-12	Skruv	Screw			
640	1			1812-1205-01	Spole	Spool			
650	1			1812-1702-01	Fäste	Bracket			
660	1			1812-1727-01	Reglagewire- nedre	Drive cable- lower			



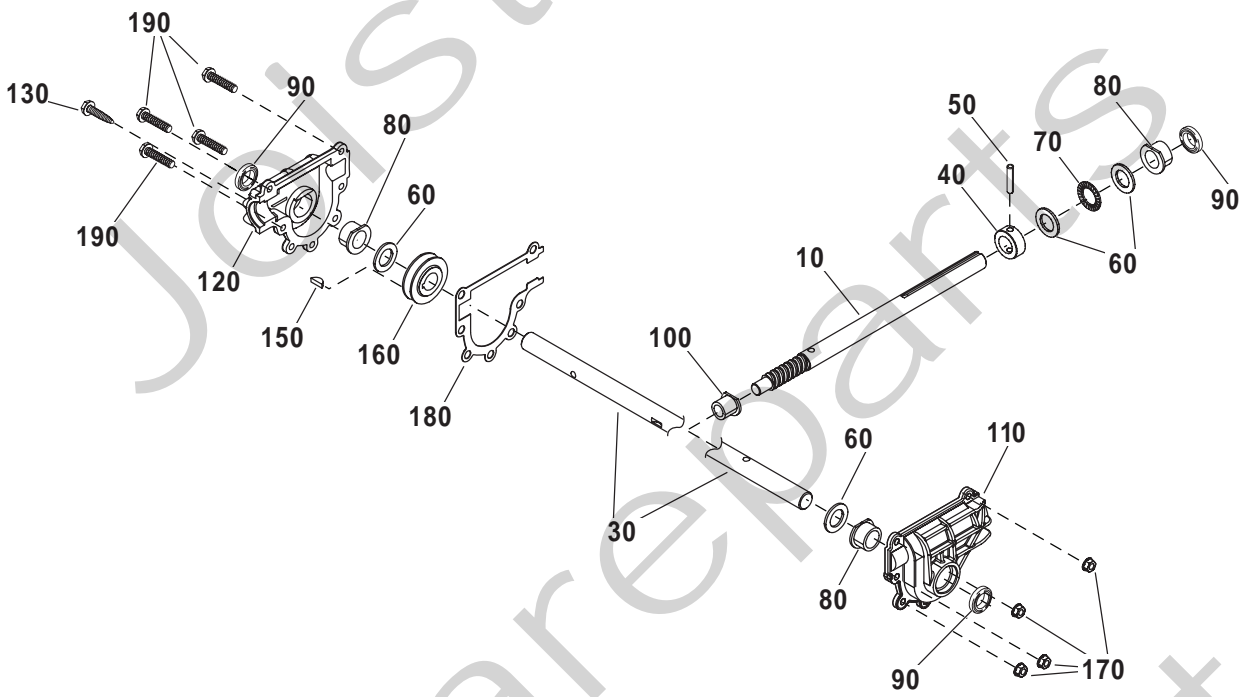
Utgåva Issue		Bildnr Picture No		SNOW FOX HJUL		SNOW FOX WHEELS		Sida Page	
2011-14		2841						52	
Pos. Fig.	Antal/Quantity				Art nr Part No	Benämning	Description	Sats Kit	Anmärkning Notes
	2869 -31								
X	10	1			1812-2777-01	Hjul kpl-vä.....	Wheel & tire assy-LH		13 x 5.0
X	20	1			1812-2776-01	Hjul kpl-hö	Wheel & tire assy-RH		13 x 5.0
	30	2			1812-2139-01	Låsring	Retaining ring		
	40	2			1812-0407-01	Bricka	Washer		
	60	1			1812-1114-01	Bult	Bolt		
	70	1			1812-1760-01	Mutter	Nut		
	80	1			1812-0408-01	Låssprint	Clík pin		



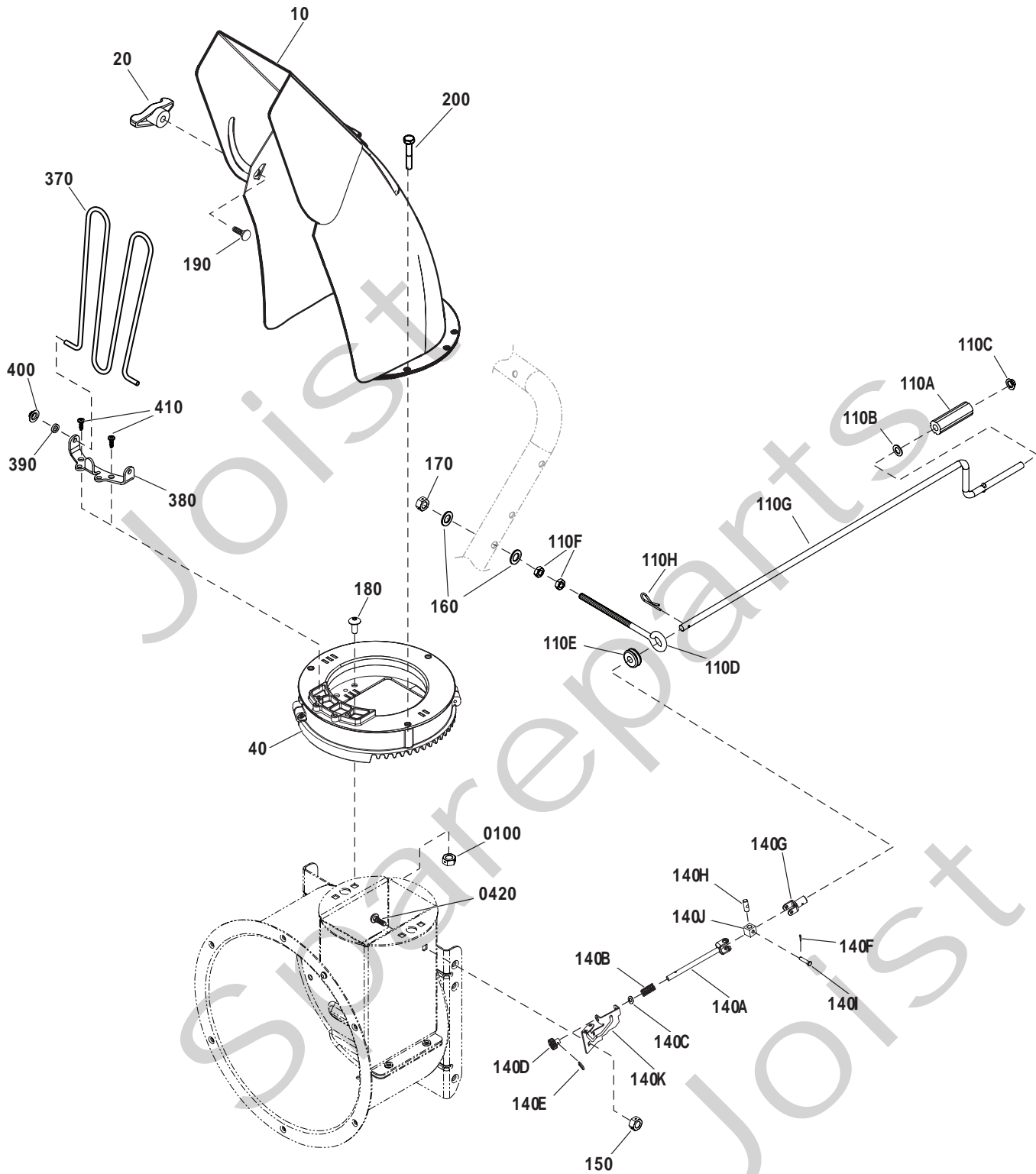
Utgåva Issue		Bildnr Picture No		SNOW FOX INMATNINGSHUS		SNOW FOX AUGER HOUSING		Sida Page	
2011-14		2842						54	
Pos. Fig.	Antal/Quantity				Art nr Part No	Benämning	Description	Sats Kit	Anmärkning Notes
	2869 -31								
X 10	1				1812-2774-01 Inmatningshus.....	Auger housing.....		24"	
X 20	1				1812-2778-01 Fläkthus	Impeller housing			
X 30	1				1812-2789-01 Utkaströr	Chimney			
X 40	1				1812-2779-01 Fäste, bakre	Bracket, rear mount			
X 50	16				1812-2475-01 Skruv	Screw			
X 60	1				1812-2783-01 Släpsko- vä	Skid shoe- LH.....			
X 70	1				1812-2782-01 Släpsko- hö	Skid shoe- RH			
X 80	1				1812-2785-01 Skrapskär	Scraper bar			
100	8				9743-3521-32 Mutter	Nut			
110	1				1812-2400-01 Borste	Cleanout brush.....			
150	2				1812-2413-01 Klämman	Spring clamp.....			
160	2				1812-2480-01 Skruv	Screw			
170	2				1812-1912-01 Mutter	Nut			
180	2				1812-0878-01 Lager	Bearing.....			
190	6				9988-3619-16 Skruv	Screw			
200	3				9727-3641-22 Mutter	Nut			
210	1				1812-2142-01 Lagerhållare.....	Bearing retainer.....			
220	1				1812-2346-01 Lager	Greased bearing.....			
230	6				9743-3621-32 Mutter	Nut			
240	2				9899-3516-16 Skruv	Screw			
250	3				9899-3622-16 Skruv	Screw			
300	6				1812-2254-01 Vagnsbult	Carriage bolt			
310	2				1812-1317-01 Ledknut	Universal pivot block.....			



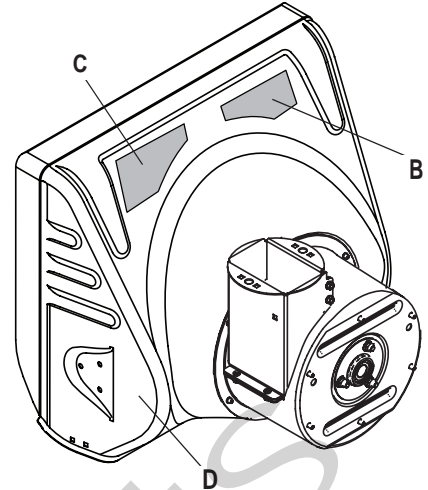
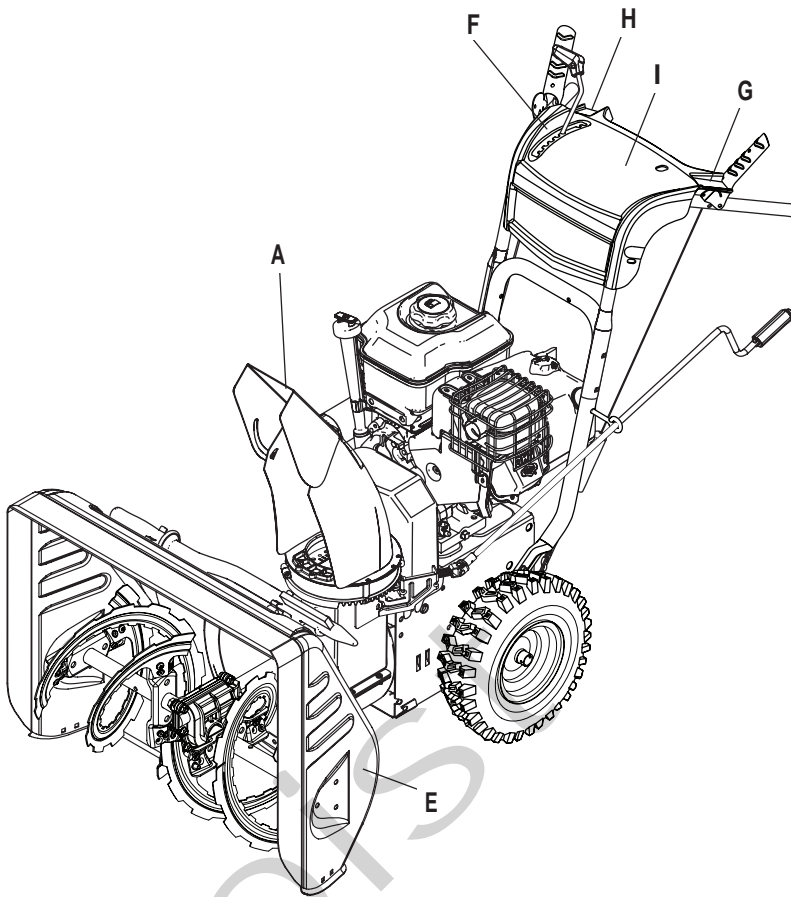
Utgåva Issue		Bildnr Picture No		SNOW FOX SNÖSKRUV		SNOW FOX AUGER DRIVE		Sida Page	
2011-14		2843						56	
Pos. Fig.	Antal/Quantity				Art nr Part No	Benämning	Description	Sats Kit	Anmärkning Notes
	2869 -31								
X 10	1				1812-2791-01 Snöskruv- hö	Auger- RH			
X 20	1				1812-2790-01 Snöskruv- vä.....	Auger- LH			
X 30	1				1812-9029-01 Brytbultsats	Shear bolt kit.....			
X 40	2				1812-2563-01 • Låsnål	• Cotter pin			
X 50	1				1812-1609-01 Kil	Key			
X 60	1				1812-2793-01 Remskiva.....	Auger pulley			
X 70	1				1812-2804-01 Snäckväxel kpl.....	Gear case assy		24"	
X 80	1				1812-2780-01 Fläkt.....	Impeller.....			
X 90	1				1812-2553-01 Nav- fläkt	Hub- impeller			
100	3				1812-2249-01 Skruv.....	Screw.....			
110	3				1812-2640-01 Stoppskruv	Set screw			



Utgåva Issue		Bildnr Picture No		SNOW FOX SNÄCKVÄXEL		SNOW FOX GEAR CASE		Sida Page	
2011-14		2844						58	
Pos. Fig.	Antal/Quantity				Art nr Part No	Benämning	Description	Sats Kit	Anmärkning Notes
	2869 -31								
X 10	1				1812-2781-01	Fläktaxel.....	Impeller shaft.....		
X 30	1				1812-2786-01	Snöskruvaxel.....	Auger shaft.....		
40	1				1812-1321-01	Distans.....	Thrust collar.....		
50	1				1133-0395-01	Stift.....	Roll pin.....		
60	4				1812-0857-01	Bricka.....	Thrust washer.....		
70	1				1812-0285-01	Nållager.....	Needle bearing.....		
80	3				1812-1360-01	Flänslager.....	Flange bearing.....		
90	3				1812-0881-01	Tätningring.....	Oil seal.....		
100	1				1812-1359-01	Bussning.....	Bushing.....		
110	1				1812-0908-01	Snäckväxelhus- vä.....	Gear case- LH.....		
120	1				1812-0909-01	Snäckväxelhus- hö.....	Gear case- RH.....		
130	1				1812-0856-01	Skruv.....	Screw.....		
150	1				1812-1371-01	Kil.....	Woodruff key.....		
X 160	1				1812-2798-01	Snäckdrev.....	Worm gear.....		
170	7				1812-1758-01	Mutter.....	Nut.....		
180	1				1812-1361-01	Packning.....	Gasket.....		
190	7				9988-3519-16	Skruv.....	Screw.....		



Utgåva Issue		Bildnr Picture No		SNOW FOX UTKAST		SNOW FOX DISCHARGE CHUTE		Sida Page	
2011-14		2845						60	
Pos. Fig.	Antal/Quantity				Art nr Part No	Benämning	Description	Sats Kit	Anmärkning Notes
	2869 -31								
X 10	1				1812-2803-01 Utkast	Chute			
X 20	1				1812-2805-01 Låsrott	Wing knob			
X 40	1				1812-2795-01 Utkastrotation	Chute rotation assy			
X 100	4				9743-3521-32 Mutter	Nut			
110A	1				1812-0318-01 Handtag	Handle			
110B	1				1812-1171-01 Bricka	Washer			
110C	1				1812-1483-01 Låsning	Retainer			
110D	1				1812-1821-01 Öglebult	Eye bolt			
110E	1				1812-0203-01 Hylsa	Grommet			
110F	2				9743-3721-32 Mutter	Nut			
110G	1				1812-1707-01 Inställningsvev	Chute crank			
110H	1				1812-2490-01 Låsnål	Hair pin			
140A	1				1812-1826-01 Gaffelstång	Yoke and rod			
140B	1				1812-1761-01 Fjäder	Spring			
140C	1				1812-2108-01 Bricka	Washer			
140D	1				1812-1706-01 Drev	Gear			
140E	1				1812-1791-01 Låsnål	Hair pin			
140F	1				9599-0033-00 Saxsprint	Split pin			
140G	1				1812-1708-01 Gaffel	Yoke adapter			
140H	1				1812-1316-01 Axel	Universal pin			
140I	1				1812-1318-01 Sprint	Clevis pin			
140J	1				1812-1317-01 Ledknut	Universal pivot block			
X 140K	1				1812-2794-01 Fäste	Mounting bracket			
150	1				9743-3521-32 Mutter	Nut			
160	2				9699-0035-02 Planbricka	Flat washer			
170	1				9743-3721-32 Mutter	Nut			
X 180	4				1812-2772-01 Skruv	Screw			
190	1				1812-1678-01 Vagnsbult	Carriage bolt			
X 200	3				1812-2771-01 Skruv	Screw			
370	1				1812-2381-01 Utkastskydd	Chute guard			
380	1				1812-2416-01 Fäste	Chute guard brkt			
390	2				1812-2426-01 Hylsa	Grommet			
400	2				1812-2478-01 Snabbmutter	Push nut			
410	2				1812-2473-01 Skruv	Screw			
420	1				9899-3516-16 Skruv	Screw			



1



F



G

⚠ DANGER

Amputation hazard
Contact with moving parts inside chute will cause serious injury.

- Shut off engine before unclogging discharge chute.
- Use clean-out tool, not hands!

Risque d'amputation
Tout contact avec des pièces en mouvement à l'intérieur de la goutteuse provoquera de graves blessures.

- Arrêter le moteur avant de dégager la goutteuse d'éjection.
- Utiliser l'outil de dégagement, pas les mains!

1737865

A

⚠ DANGER

Risque d'amputation

- Tout contact avec la tarière provoquera de graves blessures.
- Tenir vos pieds, vos mains et vêtements à distance.
- Tenir les spectateurs à distance.

Amputation Hazard

- Contact with auger will cause serious injury.
- Keep hands, feet and clothing away.
- Keep bystanders away.

Danger objets projetés

- Ne jamais diriger la chute en direction des personnes ou biens matériels.

Thrown Objects Hazard

- Never direct discharge chute towards persons or property.

1738422

B

WARNING ⚠ AVERTISSEMENT

Shut off engine and remove key before performing maintenance or repair work.

Arrêter le moteur et retirer la clé avant d'effectuer tout entretien ou toute réparation.

Read the operator's manual for operating and safety instructions.

Lire les consignes de sécurité et d'utilisation dans le manuel d'utilisation.

The spark ignition system complies with the Canadian standard F25202.
Ce système d'allumage par étincelle du véhicule est conforme à la norme NMB-002 du Canada.

1732994

C

Utgåva Issue 2011-14		Bildnr Picture No 2846		SNOW FOX DEKALER		SNOW FOX LABELS		Sida Page 62	
Pos. Fig.	Antal/Quantity				Art nr Part No	Benämning	Description	Sats Kit	Anmärkning Notes
	2869 -31								
X 1					1812-2806-01	Dekalsats	Label kit		Incl. A-I

Joist Spareparts