

# Genuine Spare Parts

www.stiga.com

## SNOW CUBE Model Year 2011/12

includes:

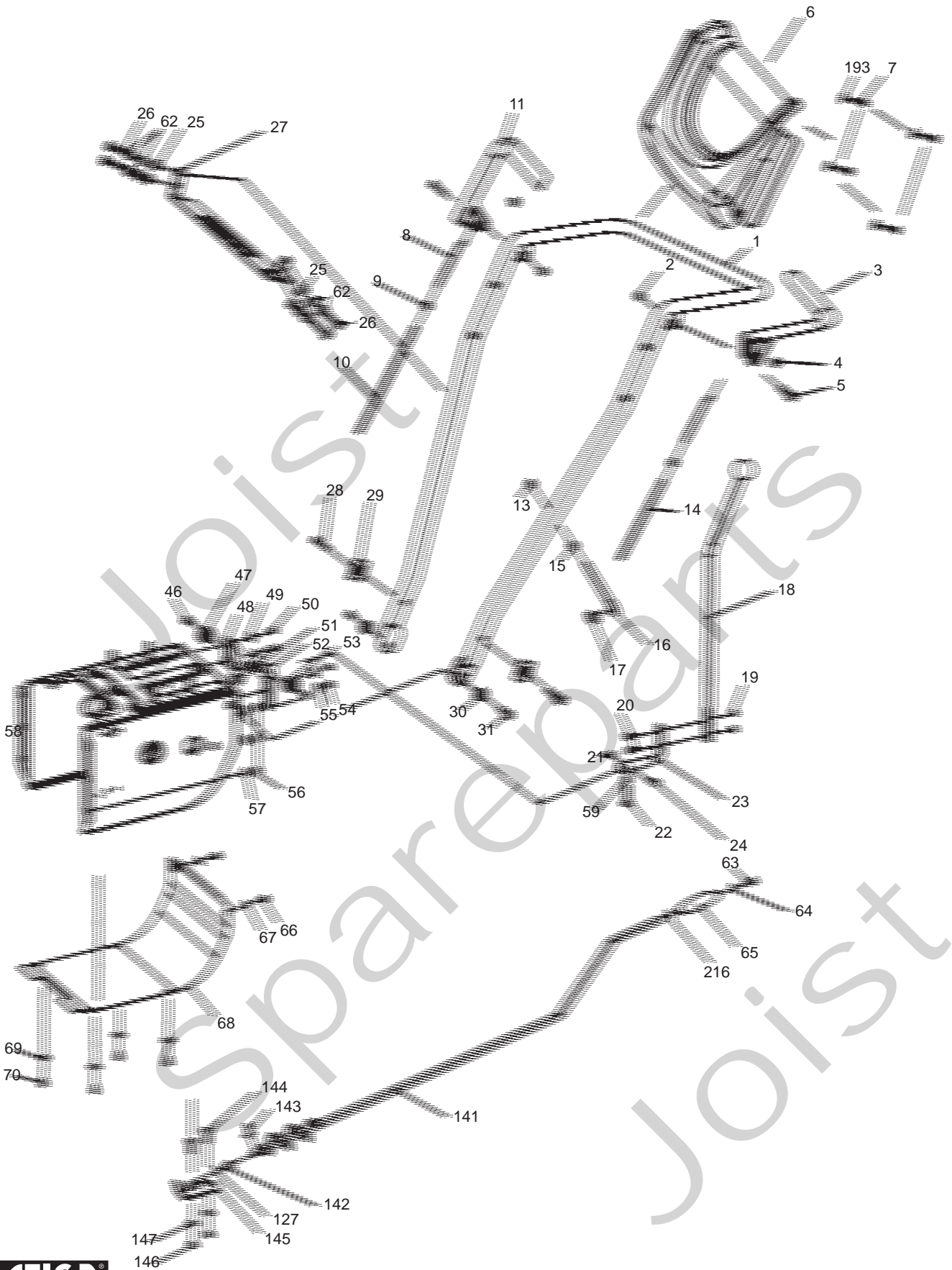
- 18-2803-31 STIGA Snow Cube
- 18-2870-41 ALPINA AS 56A
- 18-2867-41 ALPINA AS 62A

- Use GLOBAL GARDEN PRODUCT Genuine Spare Parts specified in the parts list for repair and/or replacement.
- The contents described in the parts list may change due to improvement.
- The drawings of the spare parts are only indicative and might not represent the part in question exactly.
- The indications "right" - "left" - "front" - "rear" refer to the position of the operator when using the machine.
- When placing orders of parts for repair and/or replacement, make sure that the illustrated parts list is the one applying to the machine's year of manufacture, as shown on the identification plate attached to the machine.

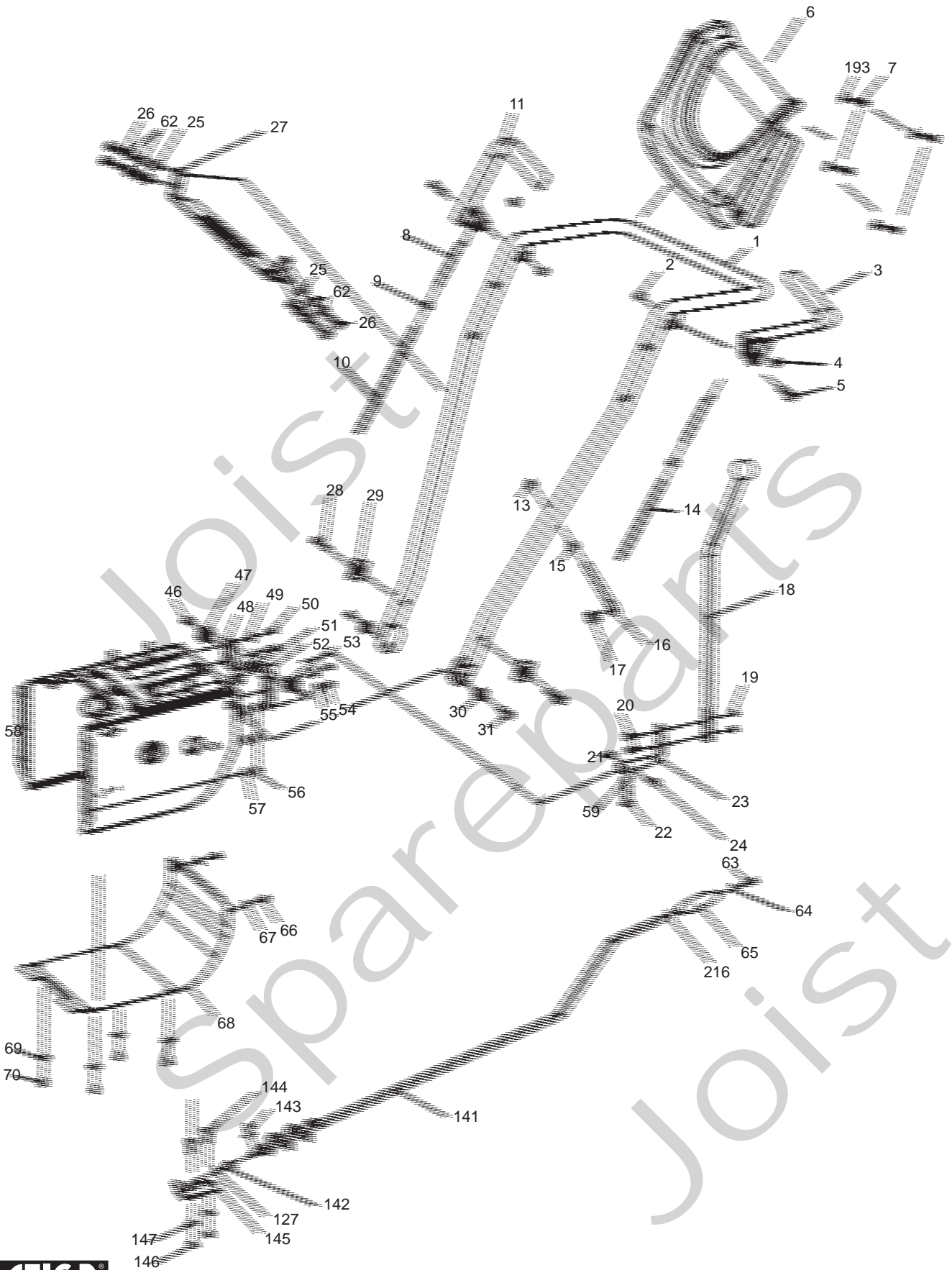
COPYRIGHT by GLOBAL GARDEN PRODUCTS

All rights reserved. No part of this material may be reproduced or transmitted, in any form or by any means, electronic or mechanical, including photocopying, recording or by any information storage and retrieval system, without permission in writing from GLOBAL GARDEN PRODUCTS.

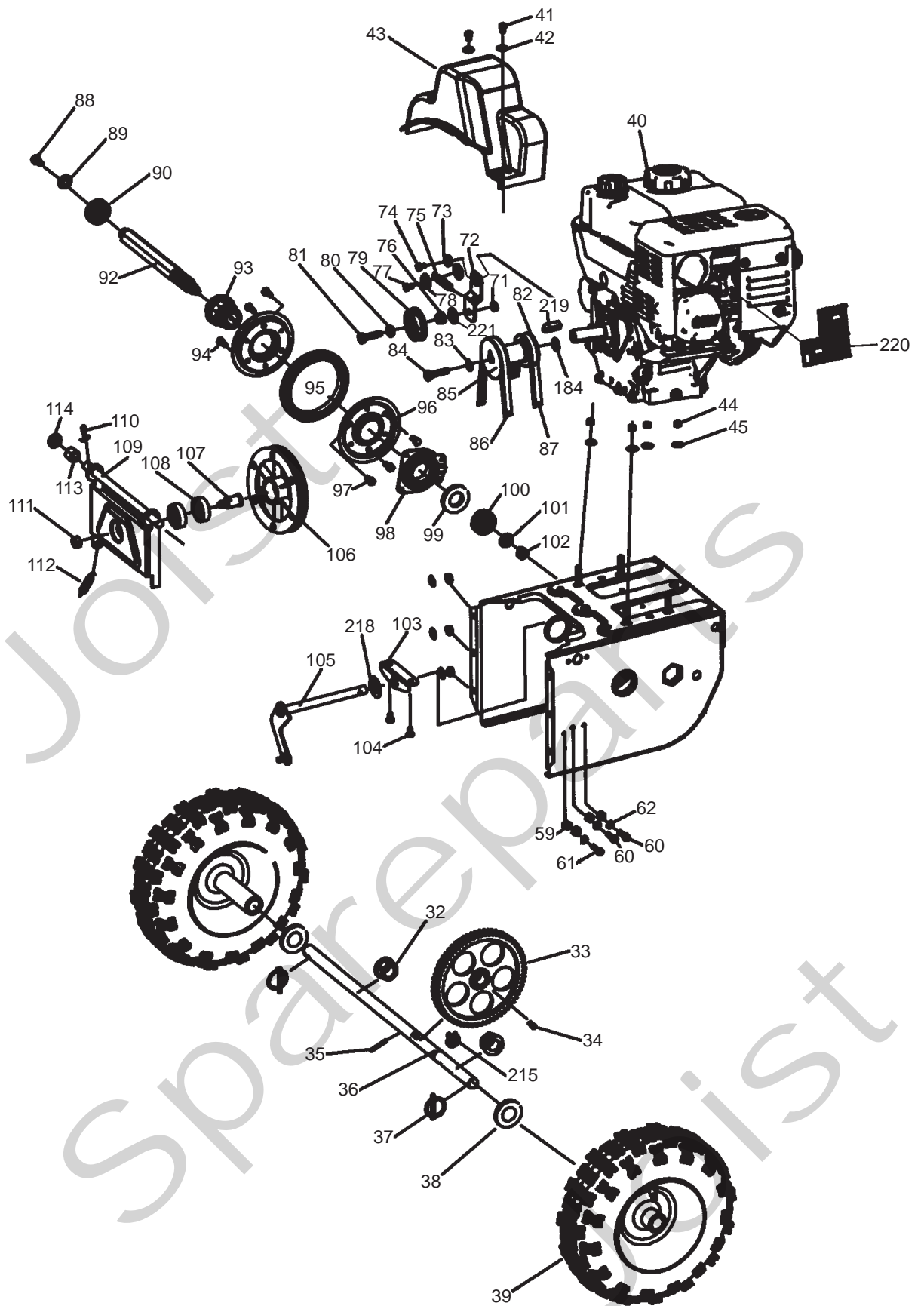
**STIGA**®



Utgåva Issue		Bildnr Picture No		SNOW CUBE ALPINA AS 56A, AS 62A STYRE REGLAGE		SNOW CUBE ALPINA AS 56A, AS 62A HANDLE CONTROLS		Sida Page	
2011-14		2171B						32	
Pos. Fig.	Antal/Quantity			Art nr Part No	Benämning	Description	Sats Kit	Anmärkning Notes	
	2803 -31	2870 -41	2867 -41						
X	1	1		1811-2466-01	Styre .....	Handle .....			
	1		1	1811-2557-01	Styre .....	Handle .....			
	2	2	2	9747-0831-02	Mutter .....	Lock nut .....			
	3	1	1	1811-2567-01	Inkoppl.handtag- hö .....	Clutch handle- RH .....		Sett framifrån	
	4	2	2	1811-2472-01	Gummiskydd .....	Rubber cap .....			
	5	2	2	9997-0845-12	Skruv .....	Screw .....			
	6	1		1811-2570-01	Panel- gul .....	Dashboard- yellow .....			
	6		1	1811-2570-02	Panel- vit .....	Dashboard- white .....			
	7	4	4	1811-2400-01	Skruv .....	Screw .....			
	8	2	2	1811-2458-01	Justerstång .....	Adjustment rod .....			
	9	2	2	9799-0531-02	Mutter .....	Nut .....			
	10	1	1	1811-2585-01	Reglagewire .....	Control cable .....		L = 105 cm	
	11	1	1	1811-2566-01	Inkoppl.handtag- vä .....	Clutch handle- LH .....		Sett framifrån	
	13	1	1	9747-0831-02	Mutter .....	Lock nut .....			
	14	1	1	1811-2586-01	Reglagewire .....	Control cable .....		L = 116,5 cm	
	14		1	1811-2587-01	Reglagewire .....	Control cable .....		L = 117,5 cm	
	15	1	1	9787-0831-32	Mutter .....	Nut .....			
	16	1	1	1811-2468-01	Ögla .....	Eye bolt .....			
	17	1	1	1811-2469-01	Gummihylsa .....	Rubber sleeve .....			
	18	1	1	1811-2563-01	Växelspak .....	Gear lever .....			
	19	2	2	9739-0631-22	Mutter .....	Nut .....			
	20	2	2	9997-0620-16	Skruv .....	Screw .....			
	21	1	1	9739-0631-22	Mutter .....	Nut .....			
	22	1	1	9997-0620-16	Skruv .....	Screw .....			
	23	1	1	1811-2482-01	Växelarm .....	Gear rod .....			
	24	1	1	9997-0625-16	Skruv .....	Screw .....			
	25	4	4	9747-0631-02	Låsmutter .....	Lock nut .....			
	26	4	4	9997-0635-12	Skruv .....	Screw .....			
	27	1	1	1811-2565-01	Växellägesplåt .....	Gear select plate .....			
	28	2	2	9997-0840-16	Skruv .....	Screw .....			
	29	2	2	1811-2453-01	Styresbricka .....	Handle washer .....			
	30	2	2	9699-0062-02	Planbricka .....	Flat washer .....			
	31	2	2	9997-0820-16	Skruv .....	Screw .....			
	46	2	2	1811-2476-01	Ansatsbult .....	Shoulder bolt .....			
	47	1	1	1811-2440-01	Wirerulle .....	Wire pulley .....			
	48	1	1	1811-2439-01	Fäste .....	Bracket .....			
	49	2	2	9699-0025-02	Planbricka .....	Washer .....			
	50	2	2	9997-0612-16	Skruv .....	Screw .....			
	51	2	2	9739-0631-22	Mutter .....	Nut .....			
	52	1	1	1811-2437-01	Fäste .....	Bracket .....			
	53	1	1	1811-2440-01	Wirerulle .....	Wire pulley .....			
	54	2	2	9997-0612-16	Skruv .....	Screw .....			
	55	2	2	9699-0025-02	Planbricka .....	Washer .....			
	56	6	6	9747-0831-02	Mutter .....	Lock nut .....			
	57	6	6	9699-0028-02	Planbricka .....	Flat washer .....			
X	58	1		1811-2595-01	Chassi- gul .....	Chassis- yellow .....			
X	58	1	1	1811-2595-02	Chassi- vit .....	Chassis- white .....			
	59	1	1	9747-0631-02	Låsmutter .....	Lock nut .....			
	62	8	8	9699-0025-02	Planbricka .....	Washer .....			
	63	1	1	9997-0610-16	Skruv .....	Screw .....			
	64	1	1	9699-0025-02	Planbricka .....	Washer .....			
	65	1	1	1811-2442-01	Handtag .....	Grip .....			
	66	2	2	9997-0610-16	Skruv .....	Screw .....			
	67	2	2	9699-0025-02	Planbricka .....	Washer .....			
	68	1	1	1811-2486-01	Bottenplåt .....	Bottom plate .....			
	69	4	4	9699-0025-02	Planbricka .....	Washer .....			
	70	4	4	9997-0610-16	Skruv .....	Screw .....			
	127	1	1	9699-0035-02	Planbricka .....	Flat washer .....			
	141	1	1	1811-2467-01	Inställningsvev .....	Crank .....			
	142	1	1	1811-2431-01	Bussning .....	Bushing .....			
	143	1	1	9599-0054-02	Saxpinne .....	Cotter pin .....			
	144	2	2	9898-0820-16	Skruv .....	Screw .....			
	145	1	1	1811-2430-01	Fäste .....	Bracket .....			

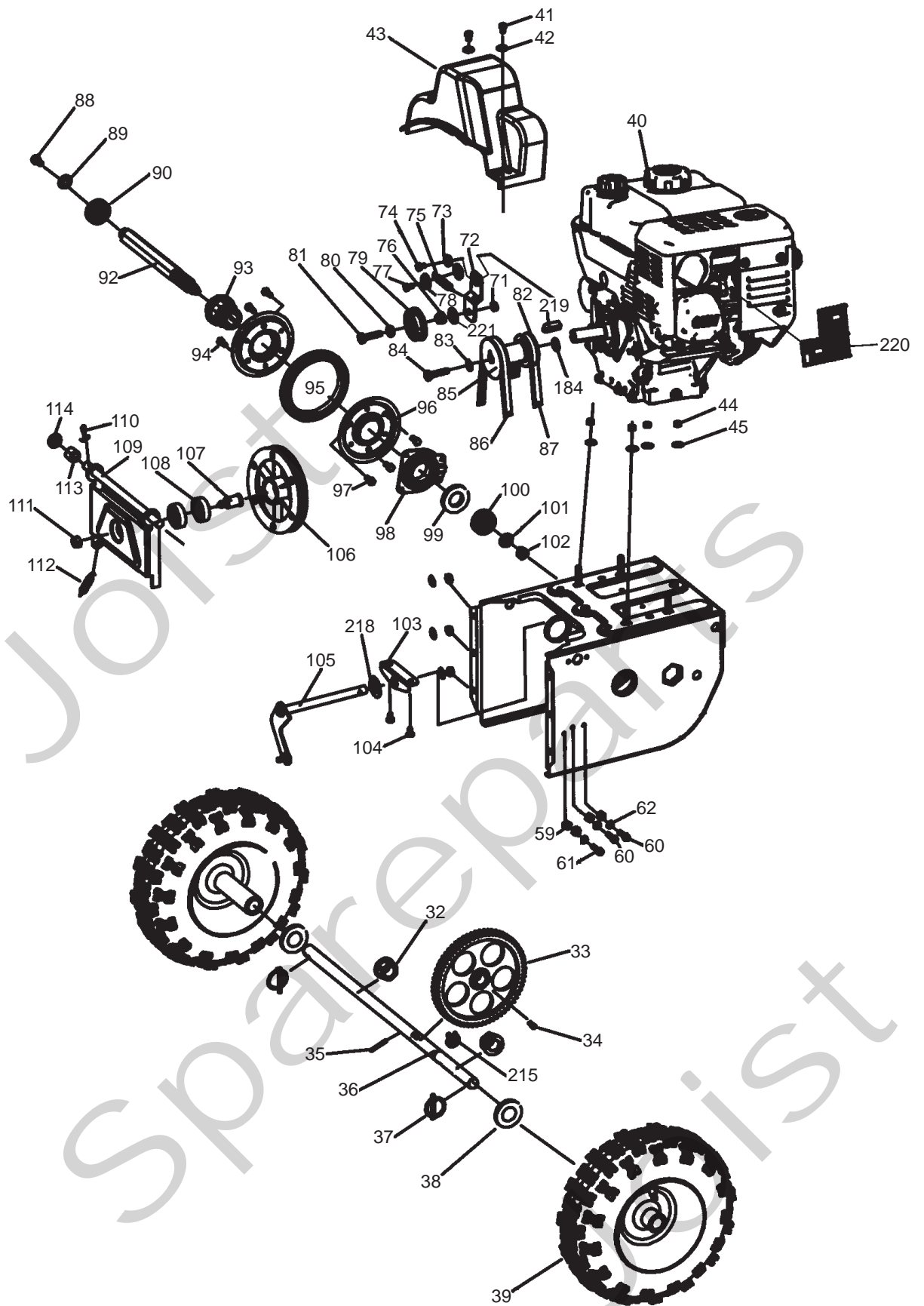


Utgåva Issue 2011-14		Bildnr Picture No 2171B		SNOW CUBE ALPINA AS 56A, AS 62A STYRE REGLAGE		SNOW CUBE ALPINA AS 56A, AS 62A HANDLE CONTROLS		Sida Page 34	
Pos. Fig.	Antal/Quantity			Art nr Part No	Benämning	Description	Sats Kit	Anmärkning Notes	
	2803 -31	2870 -41	2867 -41						
146	2	2	2	9747-0831-02	Mutter.....	Lock nut.....		STIGA ALPINA	
147	2	2	2	9699-0056-02	Planbricka.....	Flat washer.....			
193	4	4	4	9699-0072-02	Bricka.....	Washer.....			
216	1	1	1	9699-0029-02	Planbricka.....	Flat washer.....			
X 999	1			8218-2254-20	Bruksanvisning.....	Owner's manual.....			
X 999		1	1	8218-2261-20	Bruksanvisning.....	Owner's manual.....			



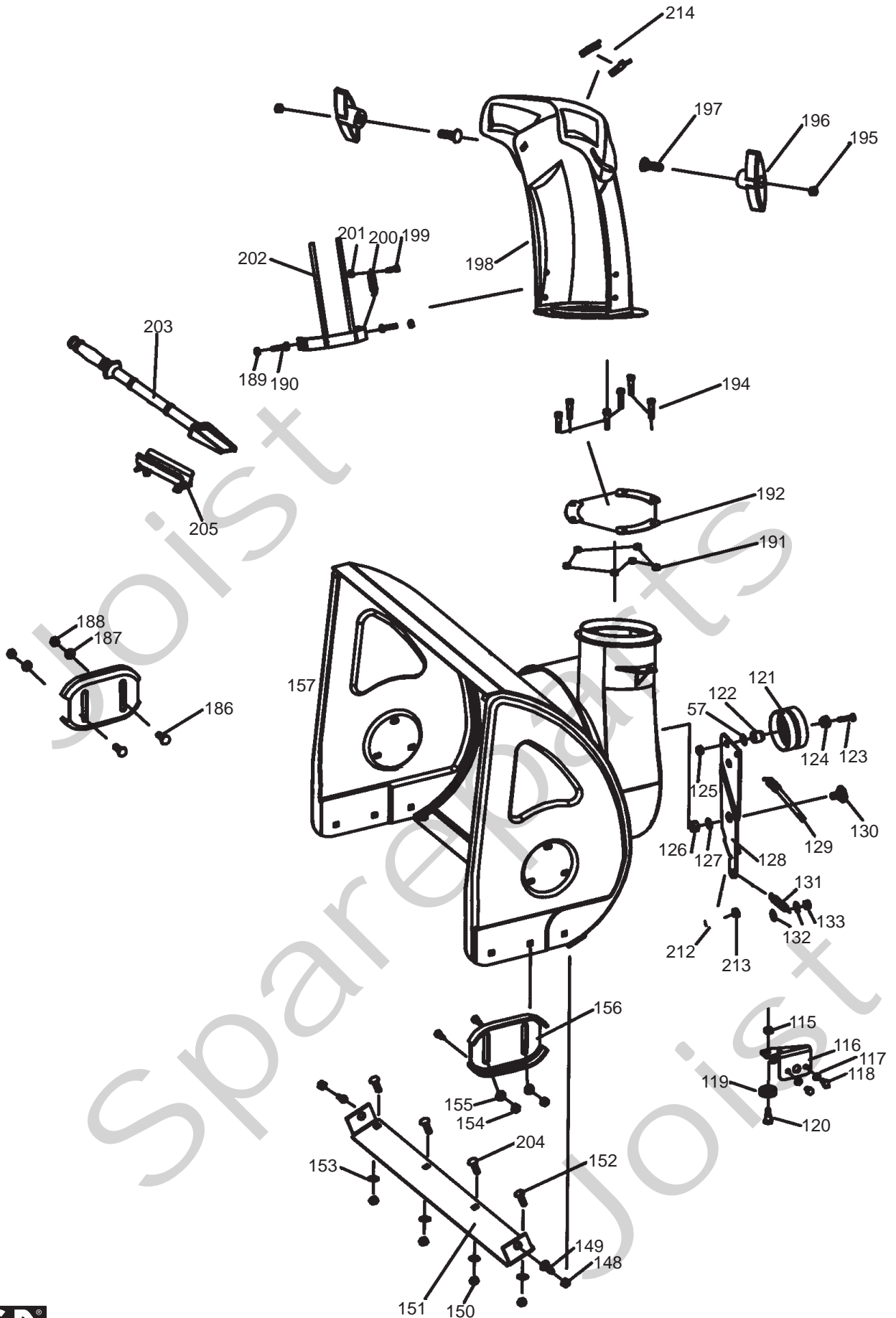
Utgåva Issue 2011-14		Bildnr Picture No 2172C		SNOW CUBE ALPINA AS 56A, AS 62A TRANSMISSION		SNOW CUBE ALPINA AS 56A, AS 62A TRANSMISSION		Sida Page 36	
Pos. Fig.	Antal/Quantity			Art nr Part No	Benämning	Description	Sats Kit	Anmärkning Notes	
	2803 -31	2870 -41	2867 -41						
32	2	2	2	1811-2452-01	Hjulaxelbussning .....	Wheel shaft bushing .....			
33	1	1	1	1811-2421-01	Drev .....	Gear .....			
34	2	2	2	1811-2406-01	Kil .....	Key .....			
35	1	1	1	9595-0212-00	Spännstift .....	Locating pin .....			
36	1	1		1811-2441-01	Hjulaxel .....	Wheel shaft .....			
36			1	1811-2550-01	Hjulaxel .....	Wheel shaft .....			
37	2	2	2	1811-2478-01	Fjäderpinne .....	Spring pin .....			
38	2	2	2	1811-2407-01	Planbricka .....	Flat washer .....			
39	2	2		1811-2408-01	Hjul kpl .....	Wheel assy .....			
39			2	1811-2541-01	Hjul kpl .....	Wheel assy .....		13" (4.10 - 6) 15"	
40	1	1		118550656/0	Motor kpl .....	Engine compl .....		Manual starter	
40			1	118550657/0	Motor kpl .....	Engine compl .....		Electric starter	
41	2	2	2	9997-0610-16	Skruv .....	Screw .....			
42	2	2	2	9699-0025-02	Planbricka .....	Washer .....			
43	1	1	1	1811-2455-01	Remskydd .....	Belt cover .....			
44	4	4	4	9747-0831-02	Mutter .....	Lock nut .....			
45	4	4	4	9699-0028-02	Planbricka .....	Flat washer .....			
59	3	3	3	9747-0631-02	Låsmutter .....	Lock nut .....			
60	2	2	2	9997-0630-12	Skruv .....	Screw .....		L = 30 mm	
61	1	1	1	9997-0620-16	Skruv .....	Screw .....		L = 20 mm	
62	3	3	3	9699-0025-02	Planbricka .....	Washer .....			
71	1	1	1	9747-0631-02	Låsmutter .....	Lock nut .....			
72	1	1	1	1811-2594-01	Spännarm .....	Tension arm .....			
73	1	1	1	1811-2559-01	Spännarmsbricka .....	Tension washer .....			
74	1	1	1	9997-0820-16	Skruv .....	Screw .....			
75	1	1	1	1811-2555-01	Fjäder .....	Spring .....			
76	1	1	1	1811-2575-01	Bricka .....	Washer .....			
77	1	1	1	9997-0812-16	Skruv .....	Screw .....			
78	2	2	2	9699-0028-02	Planbricka .....	Flat washer .....			
79	1	1	1	1811-2593-01	Spännrulle kpl .....	Tension pulley .....			
80	1	1	1	1811-2427-01	Bricka .....	Washer .....			
81	1	1	1	9997-0830-16	Skruv .....	Screw .....			
82	1	1	1	1811-2473-01	Remskiva .....	Belt pulley .....			
83	1	1	1	1811-2542-01	Planbricka .....	Plain cushion .....			
84	1	1	1	9987-5125-16	Skruv .....	Screw .....			
85	1	1		1811-2474-01	Remskiva .....	Belt pulley .....			
85			1	1811-2560-01	Remskiva .....	Main belt pulley .....			
86			1	1811-2578-01	Drivrem .....	Belt .....			
86	1	1		1811-2579-01	Drivrem .....	Belt .....			
87	1	1	1	1811-2410-01	Drivrem .....	Belt .....			
88	1	1	1	9997-0816-16	Skruv .....	Screw .....			
89	3	3	3	9699-0122-02	Bricka .....	Washer .....			
90	1	1	1	1811-2411-01	Lager .....	Bearing .....			
92	1	1	1	1811-2423-01	Sexkantsaxel .....	Hex shaft .....			
93	1	1	1	1811-2435-01	Nav .....	Hub .....			
94	3	3	3	9997-0612-16	Skruv .....	Screw .....			
95	1	1	1	1811-2584-01	Friktionsring .....	Friction ring .....			
96	2	2	2	1811-2433-01	Friktionshjul .....	Friction wheel .....			
97	3	3	3	9997-0612-16	Skruv .....	Screw .....			
98	1	1	1	1811-2434-01	Växelförare .....	Gear selector hub .....			
99	1	1	1	1811-2412-01	Låsring .....	Lock ring .....			
100	1	1	1	1811-2413-01	Lager .....	Bearing .....			
101	1	1	1	9699-0035-02	Planbricka .....	Flat washer .....			
102	1	1	1	9747-1031-02	Låsmutter .....	Lock nut .....			
103	1	1	1	1811-2420-01	Fäste .....	Bracket .....			
104	2	2	2	9997-0610-16	Skruv .....	Screw .....			
105	1	1	1	1811-2465-01	Växelförararm .....	Gear lever .....			
106	1	1	1	1811-2428-01	Drivskiva .....	Drive pulley .....			
107	1	1	1	1811-2429-01	Axeltapp .....	Shaft .....			
108	2	2	2	1811-2414-01	Lager .....	Bearing .....			
109	1	1	1	1811-2424-01	Fäste- drivskiva .....	Bracket- drive pulley .....			
110	1	1	1	9599-0054-02	Saxpinne .....	Cotter pin .....			
111	1	1	1	9747-1031-02	Låsmutter .....	Lock nut .....			

X



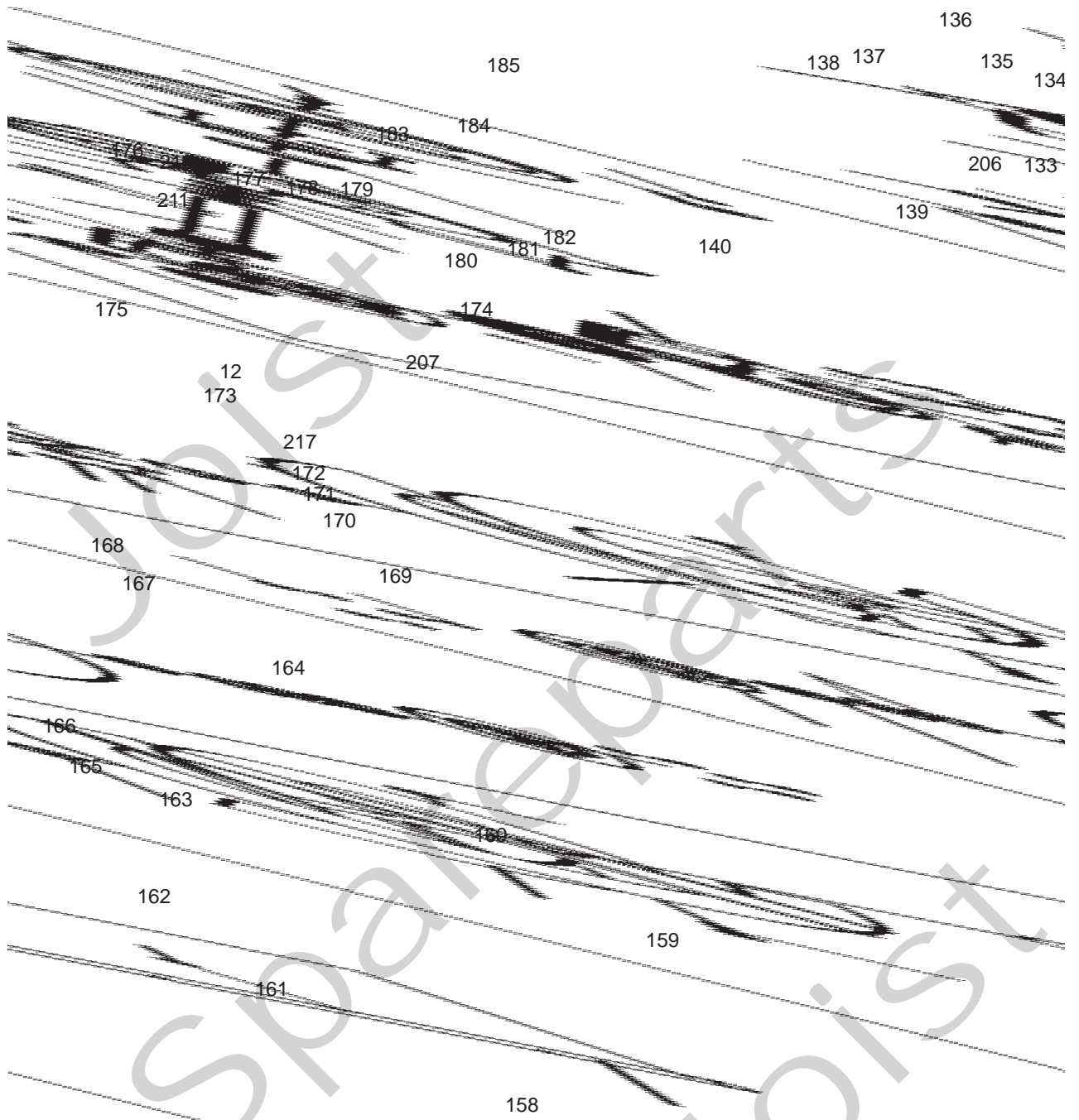


Utgåva Issue 2011-14		Bildnr Picture No 2172C		SNOW CUBE ALPINA AS 56A, AS 62A TRANSMISSION		SNOW CUBE ALPINA AS 56A, AS 62A TRANSMISSION		Sida Page 38	
Pos. Fig.	Antal/Quantity			Art nr Part No	Benämning	Description	Sats Kit	Anmärkning Notes	
	2803 -31	2870 -41	2867 -41						
112	1	1	1	1811-2483-01	Fjäder.....	Spring .....			
113	1	1	1	1811-2489-01	Hylsa .....	Collar .....			
114	1	1	1	9699-0037-02	Bricka .....	Washer.....			
184	1	1	1	1811-2477-01	Bricka .....	Washer.....			
215	1	1	1	9650-0019-04	Låsring .....	Retainer ring .....			
218	1	1	1	9699-0037-02	Bricka .....	Washer.....			
219	1	1	1	1811-2581-01	Kil .....	Key .....			
220	1	1	1	1811-2592-01	Värmskydd.....	Heat guard .....			



Utgåva Issue 2011-14		Bildnr Picture No 2173B		SNOW CUBE ALPINA AS 56A, AS 62A INMATNINGSHUS		SNOW CUBE ALPINA AS 56A, AS 62A AUGER HOUSING		Sida Page 40	
Pos. Fig.	Antal/Quantity			Art nr Part No	Benämning	Description	Sats Kit	Anmärkning Notes	
	2803 -31	2870 -41	2867 -41						
57	1	1	1	9699-0028-02	Planbricka.....	Flat washer.....			
115	1	1	1	9747-0631-02	Låsmutter.....	Lock nut.....			
116	1	1	1	1811-2438-01	Fäste.....	Bracket.....			
117	2	2	2	9699-0025-02	Planbricka.....	Washer.....			
118	2	2	2	9997-0610-16	Skruv.....	Screw.....			
119	1	1	1	1811-2440-01	Wirerulle.....	Wire pulley.....			
120	1	1	1	1811-2476-01	Ansatsbult.....	Shoulder bolt.....			
121	1	1	1	1811-2425-01	Spännrulle m.lager.....	Tension roller w.bear.....			
122	1	1	1	1811-2426-01	Distans.....	Spacer.....			
123	1	1	1	9997-0845-12	Skruv.....	Screw.....			
124	1	1	1	1811-2427-01	Bricka.....	Washer.....			
125	1	1	1	9747-0831-02	Mutter.....	Lock nut.....			
126	1	1	1	9747-1031-02	Låsmutter.....	Lock nut.....			
127	1	1	1	9699-0035-02	Planbricka.....	Flat washer.....			
128	1	1	1	1811-2448-01	Spännarm.....	Tension arm.....			
129	1	1	1	1811-2457-01	Fjäder.....	Spring.....			
130	1	1	1	1811-2475-01	Skruv.....	Screw.....			
131	1	1	1	1811-2462-01	Fjäder.....	Spring.....			
132	2	2	2	9699-0028-02	Planbricka.....	Flat washer.....			
133	1	1	1	9747-0831-02	Mutter.....	Lock nut.....			
148	2	2	2	9747-0831-02	Mutter.....	Lock nut.....			
149	2	2	2	9898-0820-16	Skruv.....	Screw.....			
150	4	4	4	9747-0831-02	Mutter.....	Lock nut.....			
151	1	1	1	1811-2548-01	Skrapskär.....	Shave plate.....			
151			1	1811-2549-01	Skrapskär.....	Shave plate.....			
152	2	2	2	9898-0820-16	Skruv.....	Screw.....			
153	4	4	4	9699-0056-02	Planbricka.....	Flat washer.....			
154	2	2	2	9747-0831-02	Mutter.....	Lock nut.....			
155	2	2	2	9699-0056-02	Planbricka.....	Flat washer.....			
156	2	2	2	1811-2568-01	Släpsko.....	Skid shoe.....			
157	1			1811-2589-01	Snöskruvhus- gul.....	Auger housing- yellow.....		56 cm	
157		1		1811-2589-02	Snöskruvhus- vit.....	Auger housing- white.....		56 cm	
157			1	1811-2590-02	Snöskruvhus- vit.....	Auger housing- white.....		62 cm	
186	4	4	4	9898-0820-16	Skruv.....	Screw.....			
187	2	2	2	9699-0056-02	Planbricka.....	Flat washer.....			
188	2	2	2	9747-0831-02	Mutter.....	Lock nut.....			
189	2	2	2	9747-0631-02	Låsmutter.....	Lock nut.....			
190	2	2	2	9997-0616-16	Skruv.....	Screw.....			
191	6	6	6	9747-0631-02	Låsmutter.....	Lock nut.....			
192	3	3	3	1811-2445-01	Flänsbricka.....	Chute washer.....			
194	6	6	6	1811-2551-01	Skruv.....	Screw.....			
195	2	2	2	9747-0831-02	Mutter.....	Lock nut.....			
196	2	2	2	1811-2498-01	Lås ratt.....	Locking knob.....			
197	2	2	2	9898-0825-16	Skruv.....	Screw.....			
198	1	1	1	1811-2571-01	Utkaströr.....	Chute.....			
199	1	1	1	9997-0620-16	Skruv.....	Screw.....			
200	1	1	1	1811-2461-01	Fjäder.....	Spring.....			
201	1	1	1	9747-0631-02	Låsmutter.....	Lock nut.....			
202	1	1	1	1811-2432-01	Utkastrydd.....	Chute guard.....			
203	1	1	1	1811-2500-01	Rensdon.....	Cleaner stick.....			
204	2	2	2	9898-0820-16	Skruv.....	Screw.....			
205	1	1	1	1811-2572-01	Fäste- rensdon.....	Cleaner stick bracket.....			
212			1	1811-2553-01	Brytbult.....	Shear bolt.....			
213			1	1811-2546-01	Låsmutter.....	Lock nut.....			
214	2	2	2	1811-2547-01	Gummiblock.....	Rubber block.....			

X  
X



Utgåva Issue 2011-14		Bildnr Picture No 2174C		SNOW CUBE ALPINA AS 56A, AS 62A SNÖSKRUV		SNOW CUBE ALPINA AS 56A, AS 62A AUGER		Sida Page 42	
Pos. Fig.	Antal/Quantity			Art nr Part No	Benämning	Description	Sats Kit	Anmärkning Notes	
	2803 -31	2870 -41	2867 -41						
12	1	1	1	9997-0510-16	Skruv.....	Screw.....			
133	1	1	1	9747-0831-02	Mutter.....	Lock nut.....			
134	1	1	1	9997-0820-16	Skruv.....	Screw.....			
135	1	1	1	9699-0056-02	Planbricka.....	Flat washer.....			
136	1	1		1811-2464-01	Remskiva.....	Belt pulley.....			
136			1	1811-2556-01	Remskiva.....	Belt pulley.....			
137	3	3	3	9747-0831-02	Mutter.....	Lock nut.....			
138	1	1	1	1811-2422-01	Lagerskål.....	Bearing cover.....			
139	1	1	1	9600-0170-00	Plattkil.....	Flat key.....			
140	1	1	1	1811-2415-01	Lager.....	Bearing.....			
158	1	1		1811-2447-01	Snöskruvaxel.....	Auger shaft.....		Ø = 19 mm	
158			1	1811-2552-01	Snöskruvaxel.....	Auger shaft.....			
159	1	1	1	1811-2416-01	Kil.....	Key.....			
160	2	2	2	9747-0831-02	Mutter.....	Lock nut.....			
161	1	1	1	1811-9012-01	Brytbultsats.....	Shear bolt kit.....		Inkl. pos 160	
162	1	1		1811-2480-01	Snöskruv- vä.....	Auger- LH.....		Sett framifrån	
162			1	1811-2561-01	Snöskruv- vä.....	Auger- LH.....			
163	1	1	1	1811-2443-01	Axelbussning.....	Shaft bushing.....			
164	2	2	2	1811-2418-01	Planbricka.....	Flat washer.....			
165	2	2	2	1811-2444-01	Axelbussning.....	Shaft bushing.....			
166	2	2	2	1811-2449-01	Lagerfäste.....	Bearing cover.....			
167	6	6	6	9699-0028-02	Planbricka.....	Flat washer.....			
168	6	6	6	9997-0812-16	Skruv.....	Screw.....			
169	1	1		1811-2479-01	Snöskruv- hö.....	Auger- RH.....		Sett framifrån	
169			1	1811-2562-01	Snöskruv- hö.....	Auger- RH.....			
170	6	6	6	9997-0620-16	Skruv.....	Screw.....			
171	7	7	7	9683-0025-02	Låsbricka.....	Lock washer.....			
172	7	7	7	9699-0025-02	Planbricka.....	Washer.....			
173	1	1	1	1811-2463-01	Snäckdrev.....	Worm wheel.....			
174	1	1	1	1811-2484-01	Snäckväxelhus- hö.....	Gear housing- RH.....		Sett framifrån	
174A	1	1	1	1811-2569-01	Packning d:o.....	Gasket.....		Ej ill/not ill	
175	1	1	1	1811-2490-01	Bussning.....	Bushing.....			
176	4	4	4	1811-2443-01	Axelbussning.....	Shaft bushing.....			
177	1	1	1	1811-2485-01	Snäckväxelhus- vä.....	Gear housing- LH.....		Sett framifrån	
178	1	1	1	1811-2402-01	Lager.....	Bearing.....			
179	1	1	1	1811-2454-01	Fläktaxel.....	Fan shaft.....		Ø = 20 mm	
180	1	1	1	1811-2403-01	Lager.....	Bearing.....			
181	1	1	1	1811-2404-01	Trycklager.....	Thrust bearing.....			
182	1	1	1	1811-2405-01	Tätningring.....	Seal ring.....		32 x 20 x 6 mm	
183	2	2	2	9595-0258-00	Spännstift.....	Locating pin.....			
184	1	1	1	1811-2477-01	Bricka.....	Washer.....			
185	1	1	1	1811-2419-01	Fläkt.....	Fan.....			
206	1	1	1	1811-2591-01	Remstyrning.....	Belt plate.....			
207	1	1	1	9997-0625-16	Skruv.....	Screw.....			
210	1	1	1	1811-2544-01	Smörjnippel.....	Grease filling joint.....			
211	1	1	1	1811-2545-01	Packning.....	Wave gasket.....			
217	2	2	2	1811-2580-01	Tätningring.....	Oil seal.....		30 x 19 x 7 mm	

1



12.4\*7.4cm



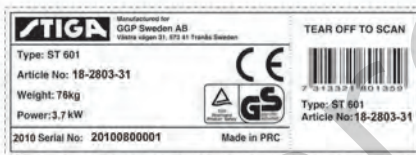
7\*9.4cm



10.5\*3.5cm



23\*1.2cm



11.5\*4.1CM



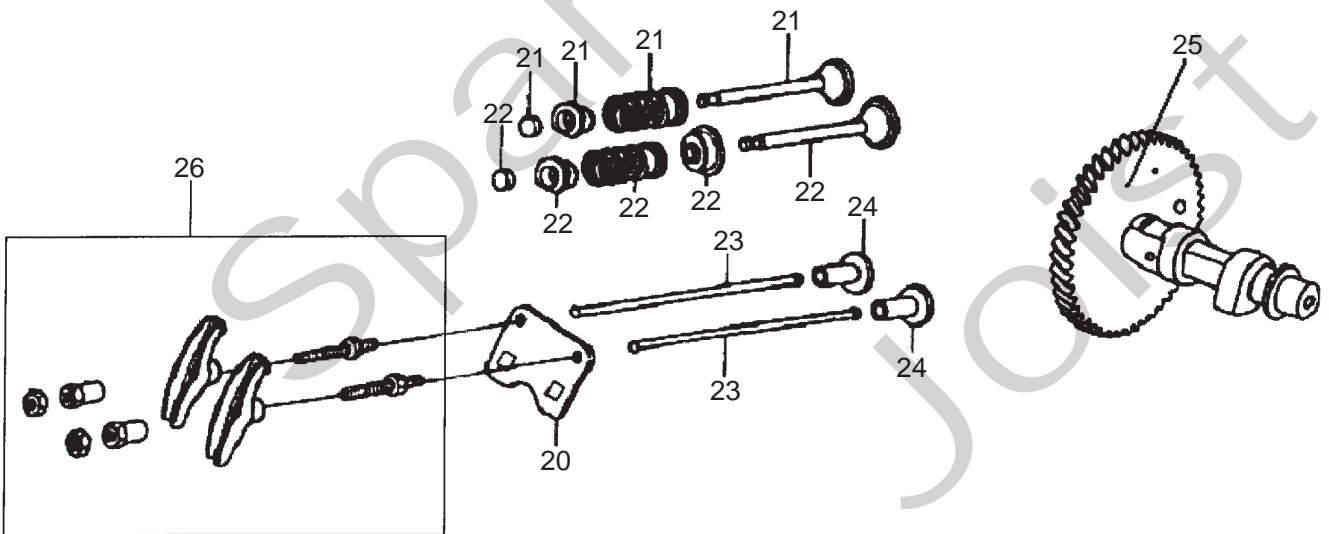
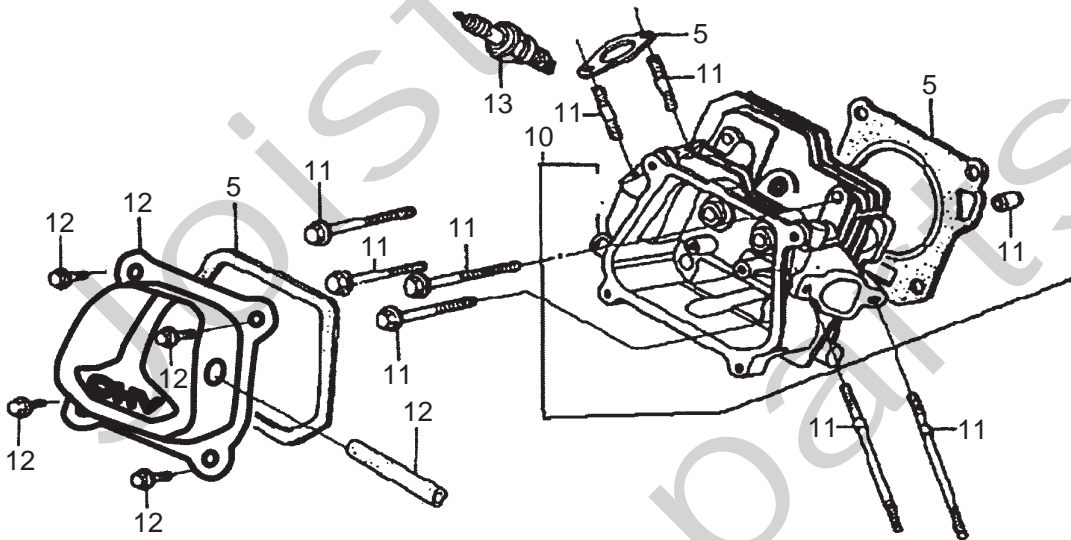
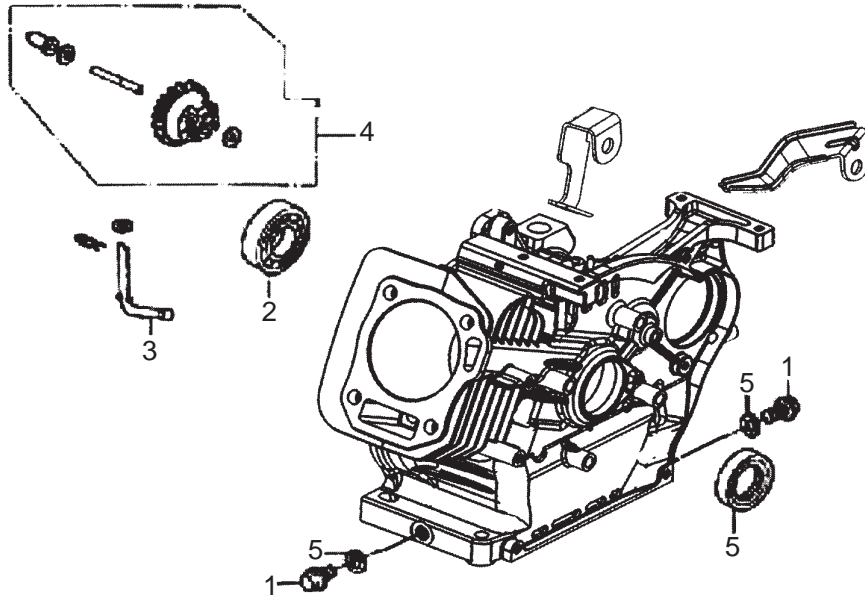
2

Label kit Alpina AS 56A

3

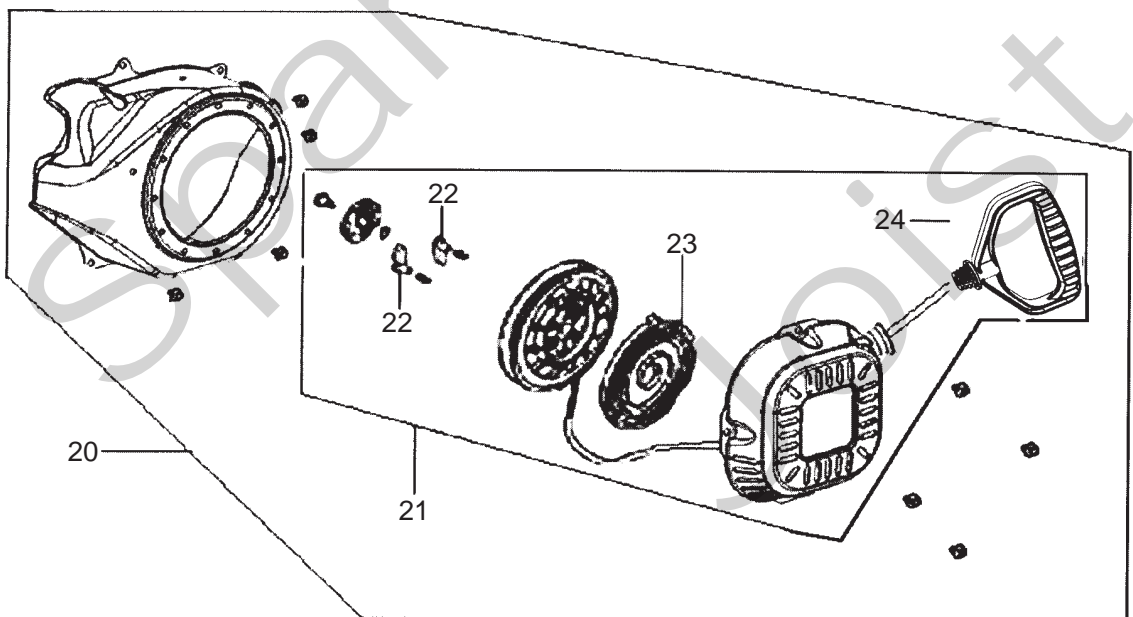
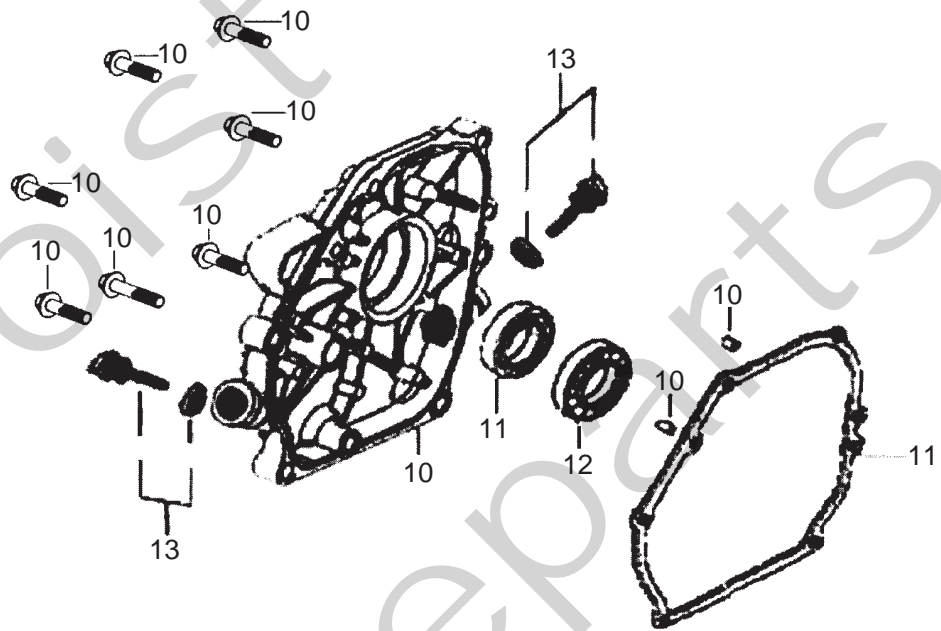
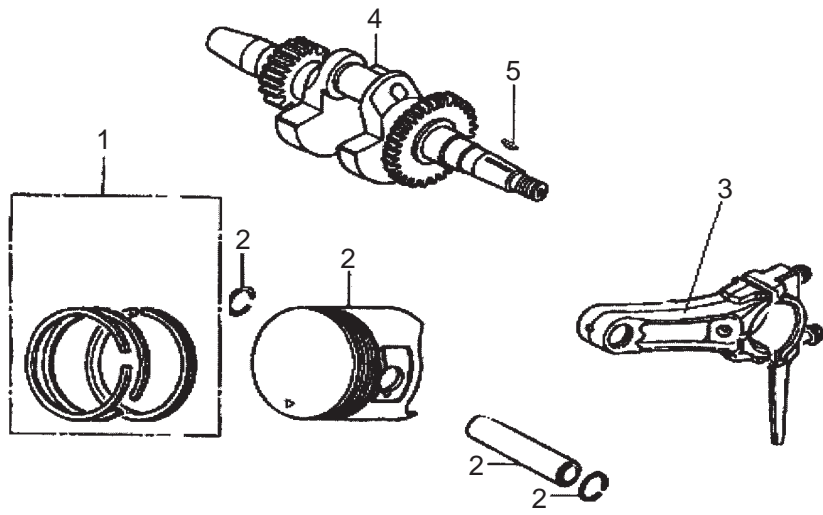
Label kit Alpina AS 62A

Utgåva Issue 2011-14		Bildnr Picture No 2784A		SNOW CUBE ALPINA AS 56A, AS 62A DEKALER		SNOW CUBE ALPINA AS 56A, AS 62A LABELS		Sida Page 44	
Pos. Fig.	Antal/Quantity			Art nr Part No	Benämning	Description	Sats Kit	Anmärkning Notes	
	2803 -31	2870 -41	2867 -41						
X X	1 2 3	1			1811-2583-01 Dekalsats .....	Label kit .....		Snow Cube Alpina AS 56A Alpina AS 62A	
			1		1811-2583-02 Dekalsats .....	Label kit .....			
				1	1811-2582-02 Dekalsats .....	Label kit .....			





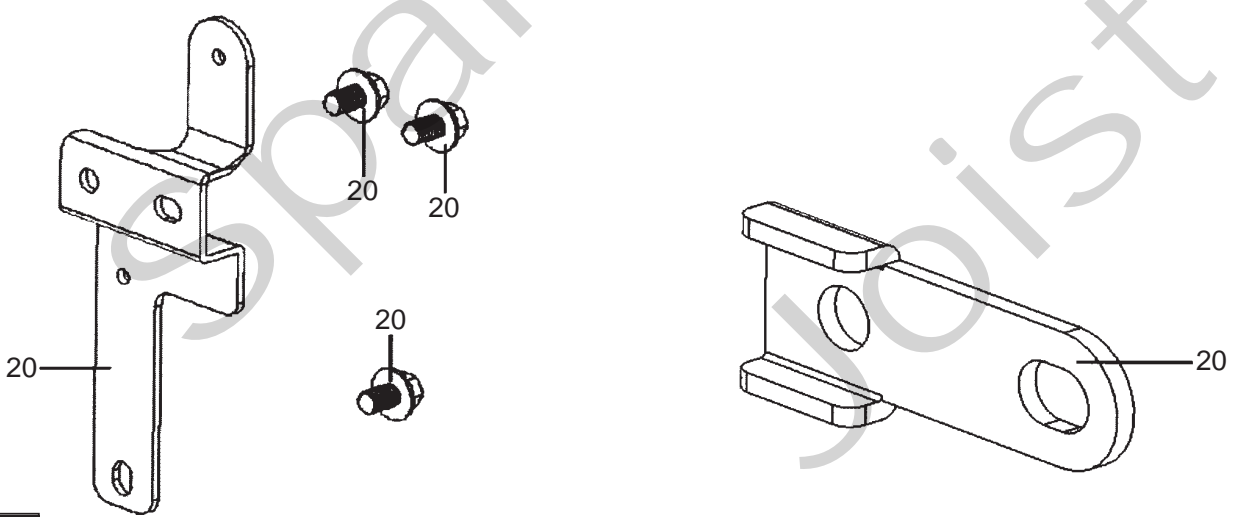
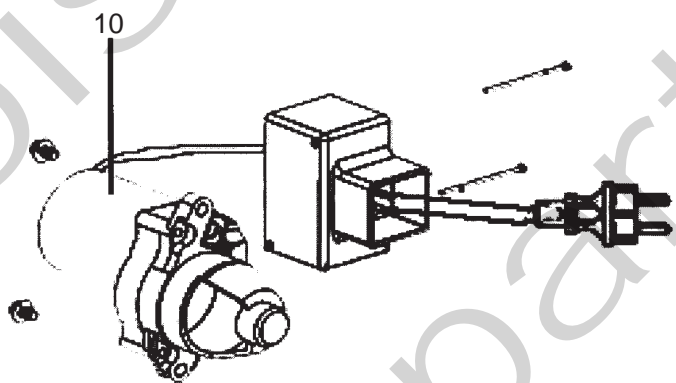
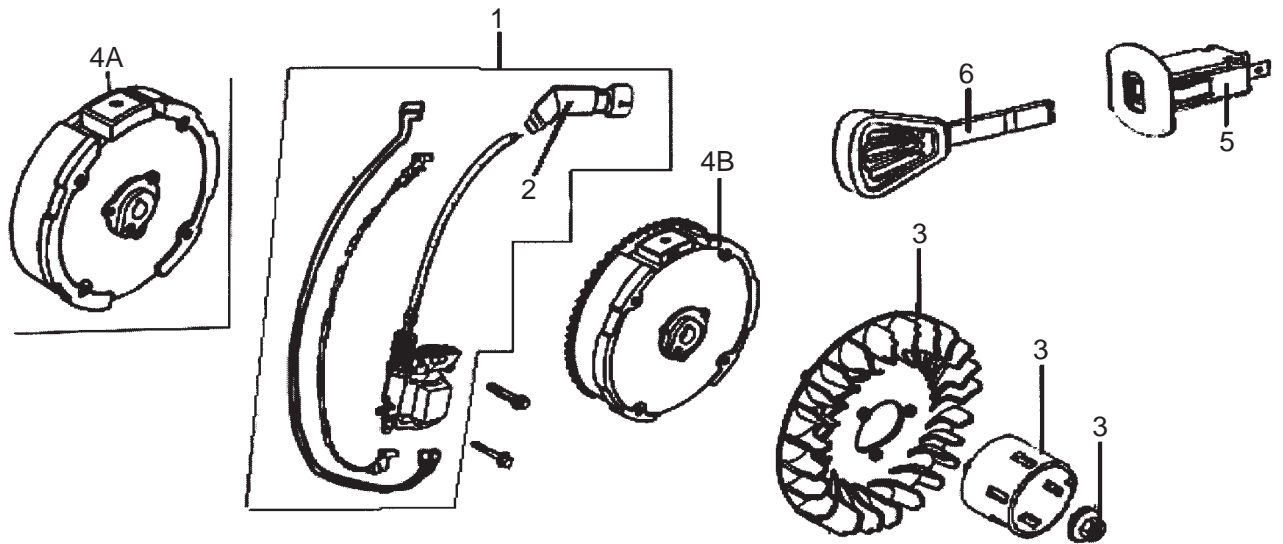
Utgåva Issue		Bildnr Picture No		GGP MOTOR SM 70		GGP ENGINE SM 70		Sida Page	
2011-14		2833						122	
Pos. Fig.	Antal/Quantity			Art nr Part No	Benämning	Description	Sats Kit	Anmärkning Notes	
	SM70 man	SM70 el							
1	2	2		118550460/0	Oljeavtappn.plugg.....	Drain plug bolt .....			
2	1	1		118550462/0	Kullager .....	Ball bearing .....			
3	1	1		118550459/0	Regulatorarm.....	Governor arm shaft.....			
4	1	1		118550458/0	Regulator-drev kpl.....	Governor gear assy.....			
5	1	1		118550621/0	Packningssats .....	Engine gasket set .....			
10	1	1		118550521/0	Topplöck kpl .....	Cylinder head assy .....			
11	1	1		118550626/0	Skrus-sats- topplöck.....	Hardware kit- cyl.head.....			
12	1	1		118550627/0	Ventilkåpa kpl .....	Head cover assy.....			
13	1	1		9400-0244-00	Tändstift .....	Spark plug.....			
20	1	1		118550622/0	Plåt .....	Plate.....			
21	1	1		118550472/0	Insugn.ventil kpl .....	Intake valve assy .....			
22	1	1		118550473/0	Utblåsn.ventil kpl.....	Exhaust valve assy .....			
23	2	2		118550474/0	Stötstång .....	Push rod .....			
24	2	2		118550623/0	Ventillyftare .....	Valve lifter .....			
25	1	1		118550624/0	Kamaxel.....	Camshaft.....			
26	2	2		118550625/0	Vipparm kpl.....	Rocker arm assy.....			



Utgåva Issue		Bildnr Picture No		GGP MOTOR SM 70		GGP ENGINE SM 70		Sida Page	
2011-14		2834						124	
Pos. Fig.	Antal/Quantity			Art nr Part No	Benämning	Description	Sats Kit	Anmärkning Notes	
	SM70 man	SM70 el							
1	1	1		118550615/0	• Kolringssats .....	• Ring set.....			
2	1	1		118550614/0	Kolv kpl.....	Piston assy .....		Inkl. pos 1	
3	1	1		118550616/0	Vevstake .....	Connecting rod .....			
4	1	1		118550617/0	Vevaxel .....	Crankshaft.....			
5	1	1		118550618/0	Kil .....	Key .....			
10	1	1		118550619/0	Vevhusgavel kpl.....	Case cover assy .....		Inkl. pos 12-13	
11	1	1		118550621/0	Packningssats .....	Engine gasket set.....			
12	1	1		118550462/0	• Kullager .....	• Ball bearing .....			
13	2	2		118550620/0	• Plugg kpl .....	• Cap assy.....			
20	1	1		118550632/1	Fläkthus m start.....	Recoil starter assy .....		Inkl. pos 21	
21	1	1		118550628/1	• Start kpl .....	• Starter assy .....		Inkl. pos 22-24	
22	2	2		118550629/0	•• Startspärr .....	•• Starter ratchet .....			
23	1	1		118550630/0	•• Returfjäder .....	•• Recoil starter spring.....			
24	1	1		118550631/0	•• Starthandtag .....	•• Recoil starter knob .....			

X  
X

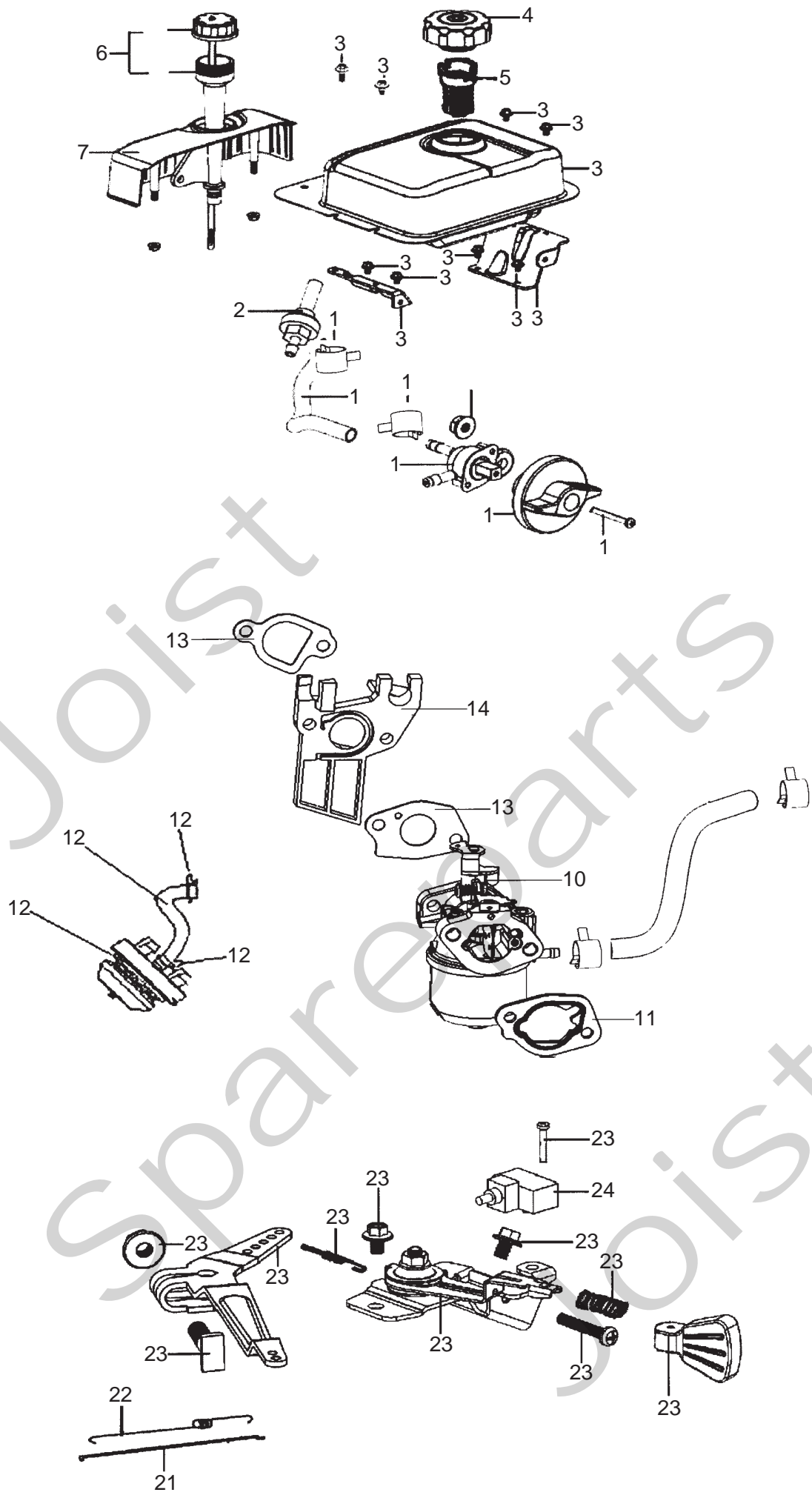
Joist Spareparts



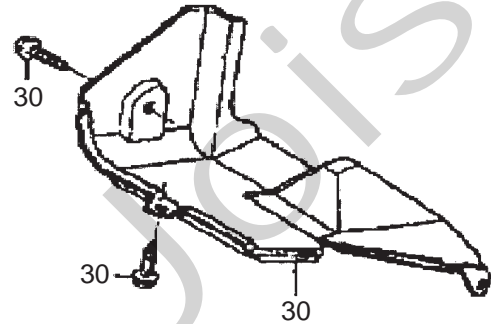
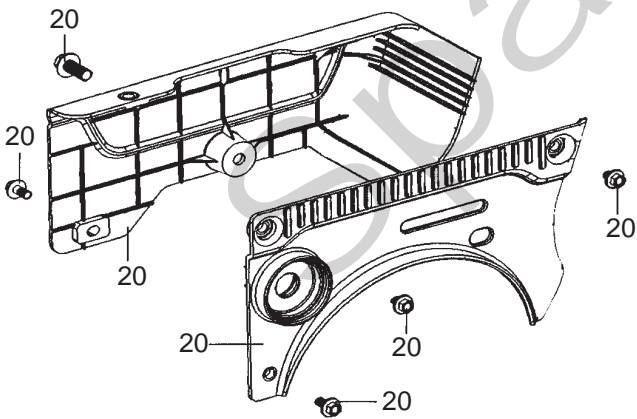
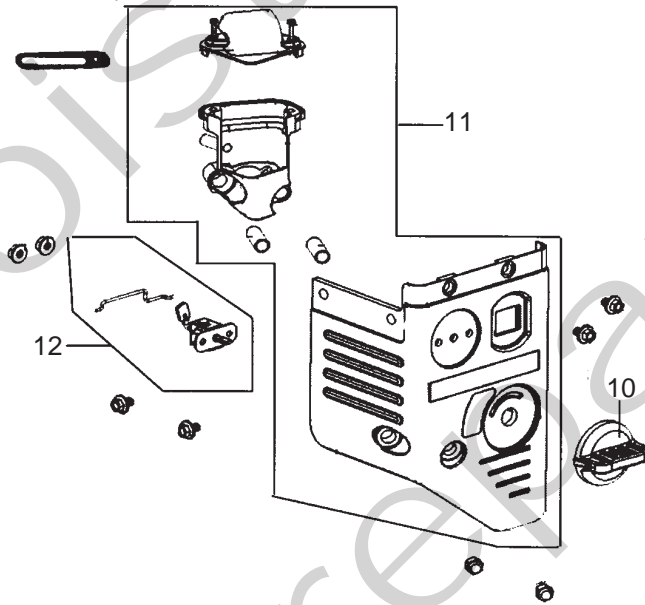
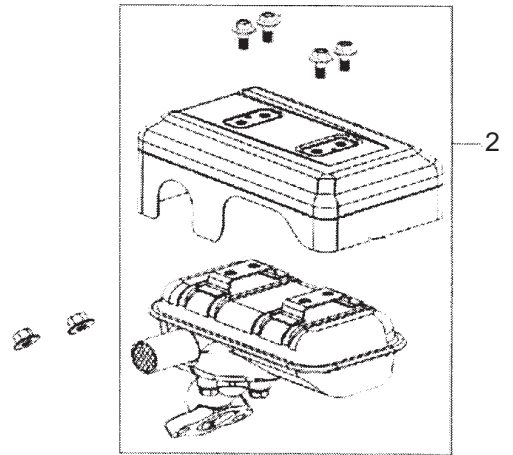
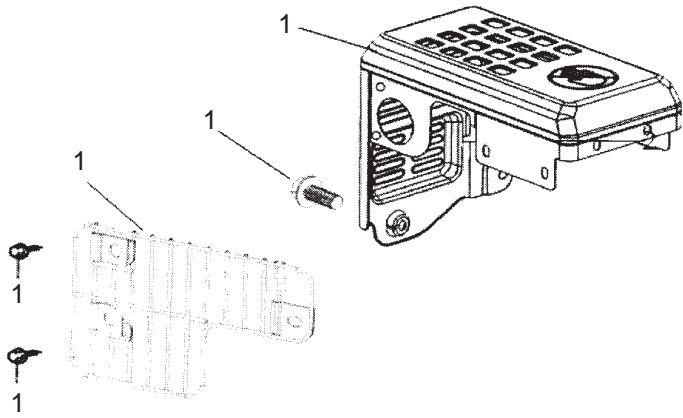
Utgåva Issue		Bildnr Picture No		GGP MOTOR SM 70		GGP ENGINE SM 70		Sida Page	
2011-14		2835						126	
Pos. Fig.	Antal/Quantity			Art nr Part No	Benämning	Description	Sats Kit	Anmärkning Notes	
	SM70 man	SM70 el							
1	1	1		118550634/0	Tändspole kpl.....	Ignition coil assy.....		Inkl. pos 2	
2	1	1		118550633/0	• Tändstiftshatt.....	• Spark plug cap.....			
3	1	1		118550635/0	Kylfläkt kpl.....	Cooling fan assy.....			
4A	1			118550489/0	Svånghjul kpl.....	Flywheel assy.....			
4B		1		118550735/0	Svånghjul kpl.....	Flywheel assy.....			
5	1	1		118550638/0	Tändningslås.....	Ignition switch.....			
6	2	2		118550639/0	Tändningsnyckel.....	Switch key.....			
10		1		118550640/0	Startmotor.....	Starter motor.....			
20		1		118550636/0	Fäste- startbox kpl.....	Holder- starting box.....			

X

Joist Spareparts



Utgåva Issue		Bildnr Picture No		GGP MOTOR SM 70		GGP ENGINE SM 70		Sida Page	
2011-14		2836						128	
Pos. Fig.	Antal/Quantity			Art nr Part No	Benämning	Description	Sats Kit	Anmärkning Notes	
	SM70 man	SM70 el							
X 1	1	1		118550648/0	Bränslekran kpl.....	Fuel switch assy.....			
2	1	1		118550500/0	Tänknippel .....	Fuel tank joint.....			
3	1	1		118550649/0	Bränsletank kpl.....	Fuel tank assy .....			
4	1	1		118550650/0	Tänklöck .....	Fuel filler cap.....			
5	1	1		118550651/0	Bränslefilter .....	Fuel filter .....			
6	1	1		118550652/0	Oljesticka kpl .....	Oil cap assy.....			
7	1	1		118550734/0	Kåpa- bakre.....	Cover- rear .....			
X 10	1	1		118550653/0	Förgasare kpl.....	Carburettor assy .....			
11	1	1		118550482/0	Förgasardistans .....	Spacer.....			
12	1	1		118550654/0	Primerpump kpl.....	Air pump assy.....			
13	1	1		118550621/0	Packningssats .....	Engine gasket set .....			
14	1	1		118550484/0	Isolering- förgasare .....	Carburettor insulator .....			
21	1	1		118550493/0	Reglagestång .....	Governor rod.....			
22	1	1		118550492/0	Fjäder.....	Throttle return sprin.....			
X 23	1	1		118550641/1	Reglage kpl.....	Governor assy.....		Inkl. pos 24	
24	1	1		118550642/0	• Brytare.....	• Engine stop switch.....			





Utgåva Issue		Bildnr Picture No		GGP MOTOR SM 70		GGP ENGINE SM 70		Sida Page	
2011-14		2837						130	
Pos. Fig.	Antal/Quantity			Art nr Part No	Benämning	Description	Sats Kit	Anmärkning Notes	
	SM70 man	SM70 el							
X 1	1	1		118550646/1	Ljuddämparskydd.....	Muffler protector.....			
2	1	1		118550647/0	Ljuddämpare kpl.....	Muffler assy.....			
10	1	1		118550643/0	Chokereglage.....	Choke lever.....			
11	1	1		118550644/0	Luftrenare kpl.....	Air cleaner assy.....			
12	1	1		118550645/0	Choke kpl.....	Choke assy.....			
20	1	1		118550655/0	Motorkåpa kpl.....	Engine cover kit.....			
30	1	1		118550637/0	Skyddsplåt kpl.....	Shroud assy.....			