

Genuine Spare Parts

www.stiga.com

SNOW BLIZZARD Model Year 2011/12

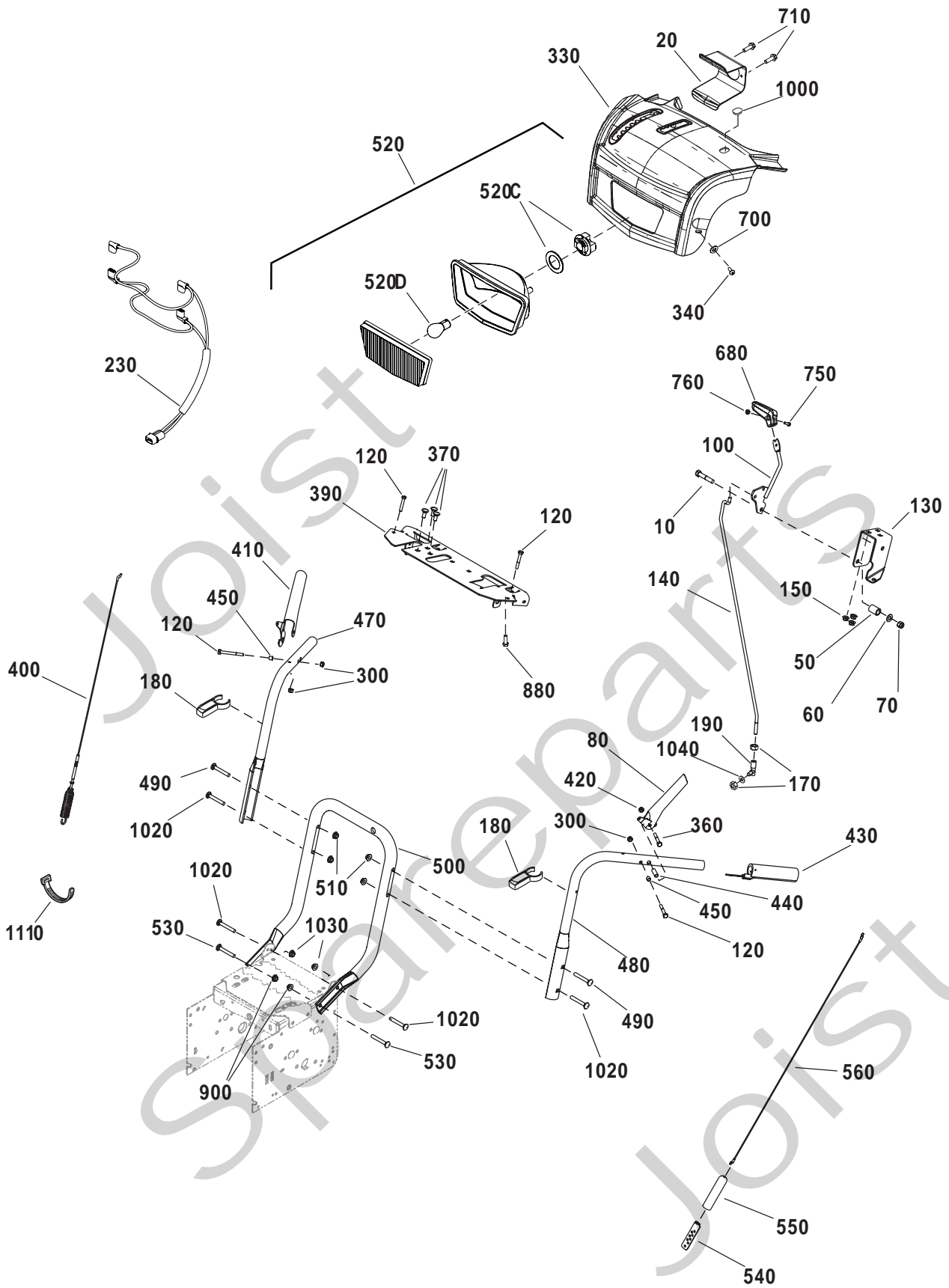
includes:
18-2830-32 Snow Blizzard

- Use GLOBAL GARDEN PRODUCT Genuine Spare Parts specified in the parts list for repair and/or replacement.
- The contents described in the parts list may change due to improvement.
- The drawings of the spare parts are only indicative and might not represent the part in question exactly.
- The indications "right" - "left" - "front" - "rear" refer to the position of the operator when using the machine.
- When placing orders of parts for repair and/or replacement, make sure that the illustrated parts list is the one applying to the machine's year of manufacture, as shown on the identification plate attached to the machine.

COPYRIGHT by GLOBAL GARDEN PRODUCTS

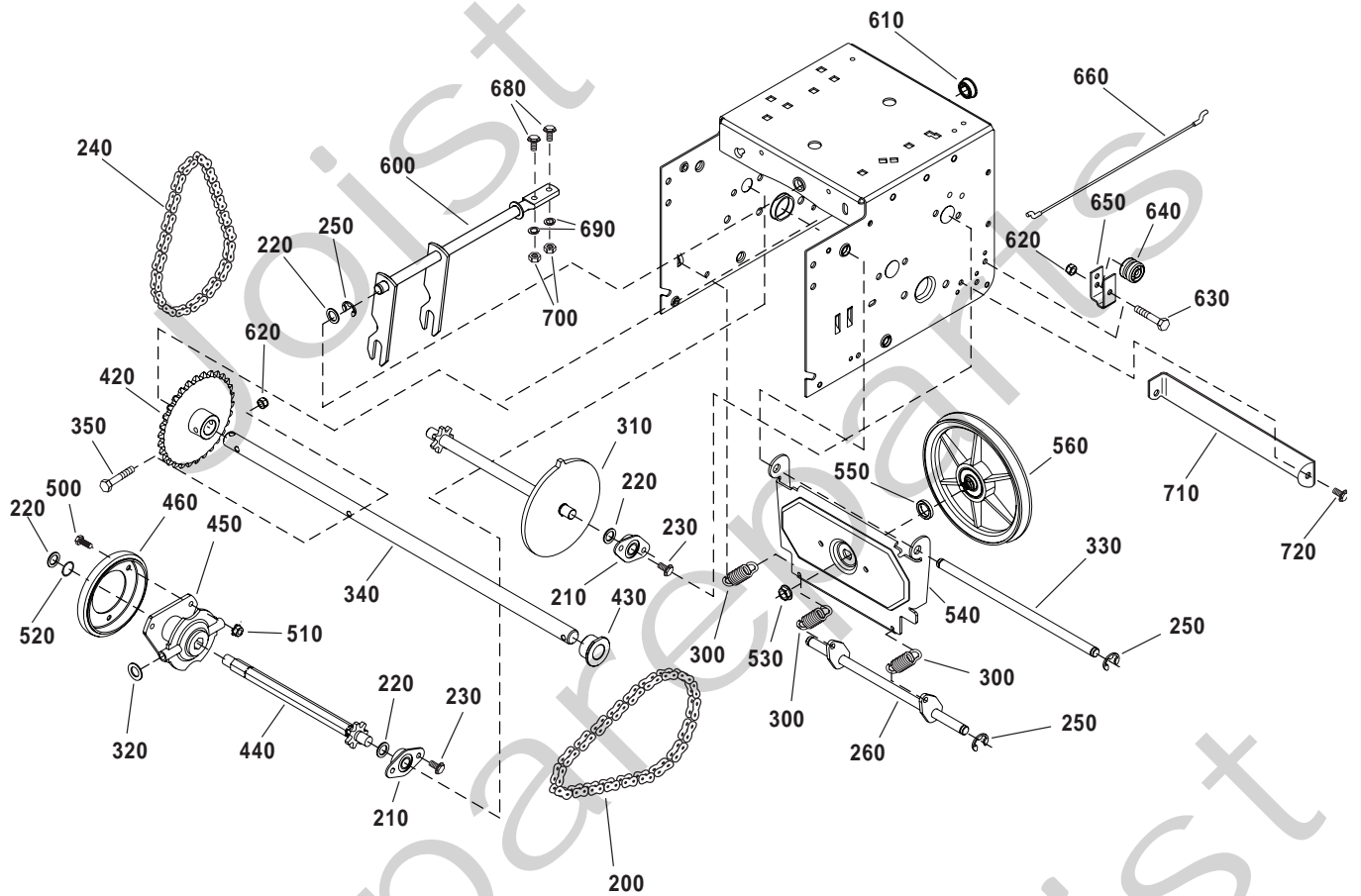
All rights reserved. No part of this material may be reproduced or transmitted, in any form or by any means, electronic or mechanical, including photocopying, recording or by any information storage and retrieval system, without permission in writing from GLOBAL GARDEN PRODUCTS.

STIGA®

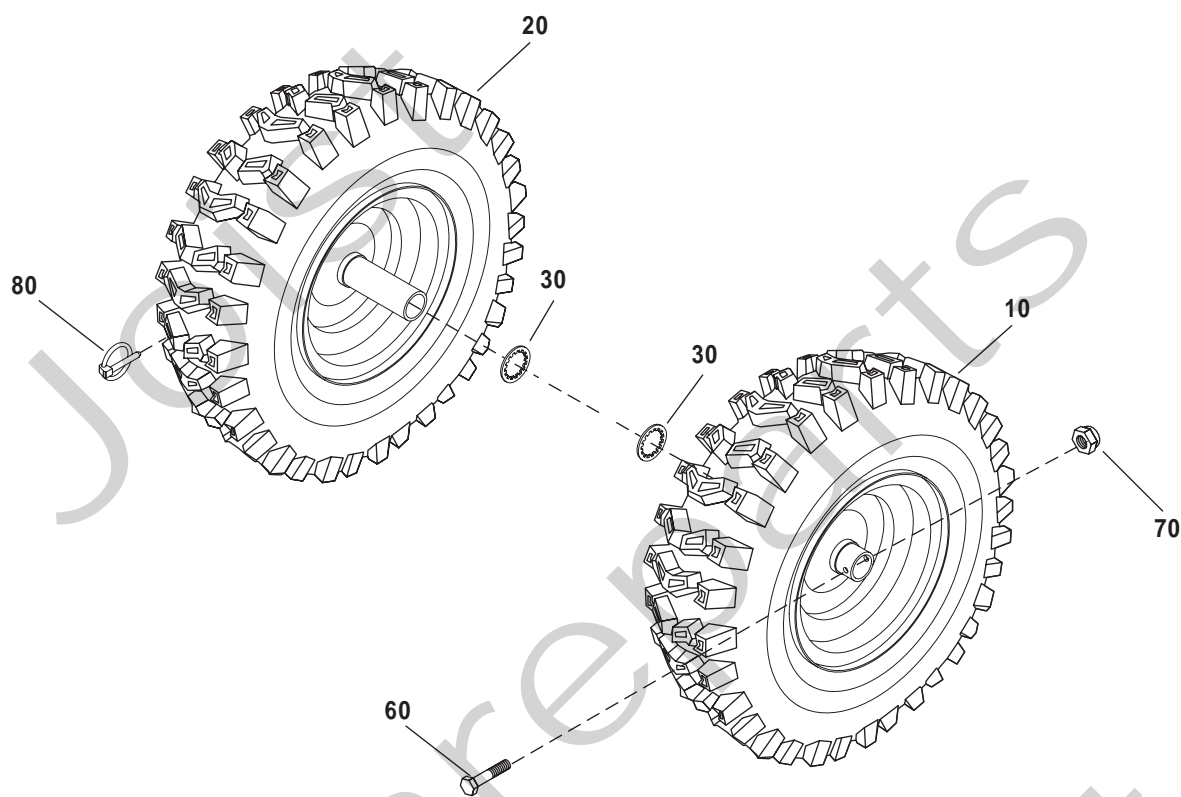


Utgåva Issue		Bildnr Picture No		SNOW BLIZZARD STYRE REGLAGE		SNOW BLIZZARD HANDLE CONTROLS		Sida Page	
2011-14		2830						64	
Pos. Fig.	Antal/Quantity				Art nr Part No	Benämning	Description	Sats Kit	Anmärkning Notes
	2830 -32								
X	10	1			9988-3751-12	Skruv.....	Screw.....		
	20	1			1812-2727-01	Fäste, belysning.....	Bracket, light mount.....		
	50	1			1812-0304-01	Fjäder.....	Spring.....		
	60	1			9699-0029-02	Planbricka.....	Flat washer.....		
	70	1			9743-3721-32	Mutter.....	Nut.....		
	80	1			1812-2605-01	Koppl.reglage- vä.....	Clutch lever- LH.....		
	100	1			1812-2511-01	Regl.spak- hastighet.....	Speed lever.....		
	120	4			9988-3545-12	Skruv.....	Screw.....		
	130	1			1812-2417-01	Fäste.....	Controls brkt.....		
X	140	1			1812-2751-01	Reglagestång.....	Rod, speed control.....		
	150	3			9727-3641-22	Mutter.....	Nut.....		
	170	2			9794-5131-02	Mutter.....	Nut.....		
X	180	2			1812-2738-01	Monteringsfäste.....	Bracket, mounting.....		
	190	1			1812-2562-01	Kulled.....	Ball joint.....		
X	230	1			1812-2731-01	Kablage, belysning.....	Wiring harness, light.....		
	300	4			9743-3521-32	Mutter.....	Nut.....		
X	330	1			1812-2728-01	Panel.....	Cover, panel.....		
	340	2			1812-2257-01	Skruv.....	Screw.....		
	360	2			1812-2623-01	Ansatsbult.....	Shoulder bolt.....		
	370	3			9899-3625-16	Skruv.....	Screw.....		
	390	1			1812-2575-01	Panelfäste.....	Dash support.....		
	400	1			1812-2542-01	Reglagewire- snöskruv.....	Drive cable- auger.....		
	410	1			1812-2606-01	Koppl.reglage- hö.....	Clutch lever- RH.....		
	420	2			1812-2256-01	Mutter.....	Nut.....		
	430	2			1812-2351-01	Handtag.....	Hand grip.....		
	440	2			1812-2412-01	Distans.....	Stepped spacer.....		
	450	2			1812-2148-01	Distans.....	Spacer.....		
	470	1			1812-2317-01	Styre överdel- hö.....	Handle upper- RH.....		
	480	1			1812-2316-01	Styre överdel- vä.....	Handle upper- LH.....		
	490	2			1812-2479-01	Vagnsbult.....	Carriage bolt.....		
	500	1			1812-2519-01	Styre- undre.....	Handle- lower.....		
	510	4			9743-3621-32	Mutter.....	Nut.....		
X	520	1			1812-2726-01	Strålkastare kpl.....	Headlight assy.....		
X	520 C	1			1812-2724-01	• Lamphållare & packn.....	• Socket & gasket.....		
	520 D	1			1812-1245-01	• Glödlampa.....	• Light bulb.....		
	530	2			9899-3625-16	Skruv.....	Screw.....		
	540	1			1133-0977-01	Wirefäste.....	Cable adjust bracket.....		
	550	1			1133-0968-01	Wirehylsa.....	Clutch spring boot.....		
	560	1			1812-2126-01	Reglagewire.....	Drive cable.....		
	680	1			1812-2379-01	Knopp.....	Knob.....		
	700	2			9699-0026-02	Planbricka.....	Flat washer.....		
	710	2			1812-1394-01	Skruv.....	Screw.....		
	750	1			1812-2481-01	Skruv.....	Screw.....		
	760	1			1812-2256-01	Mutter.....	Nut.....		
X	880	2			1812-2765-01	Skruv.....	Screw.....		
	900	4			9795-3631-02	Mutter.....	Nut.....		
X	1000	1			1812-2753-01	Plugg.....	Plug.....		
	1020	4			1812-2476-01	Vagnsbult.....	Carriage bolt.....		
	1030	2			9743-3621-32	Mutter.....	Nut.....		
	1040	1			9683-0030-02	Låsbricka.....	Lock washer.....		
	1110	2			9579-0003-00	Buntband.....	Cable holder.....		
X	9999	1			8218-2257-20	Bruksanvisning.....	Owner's manual.....		Ej ill/not ill.

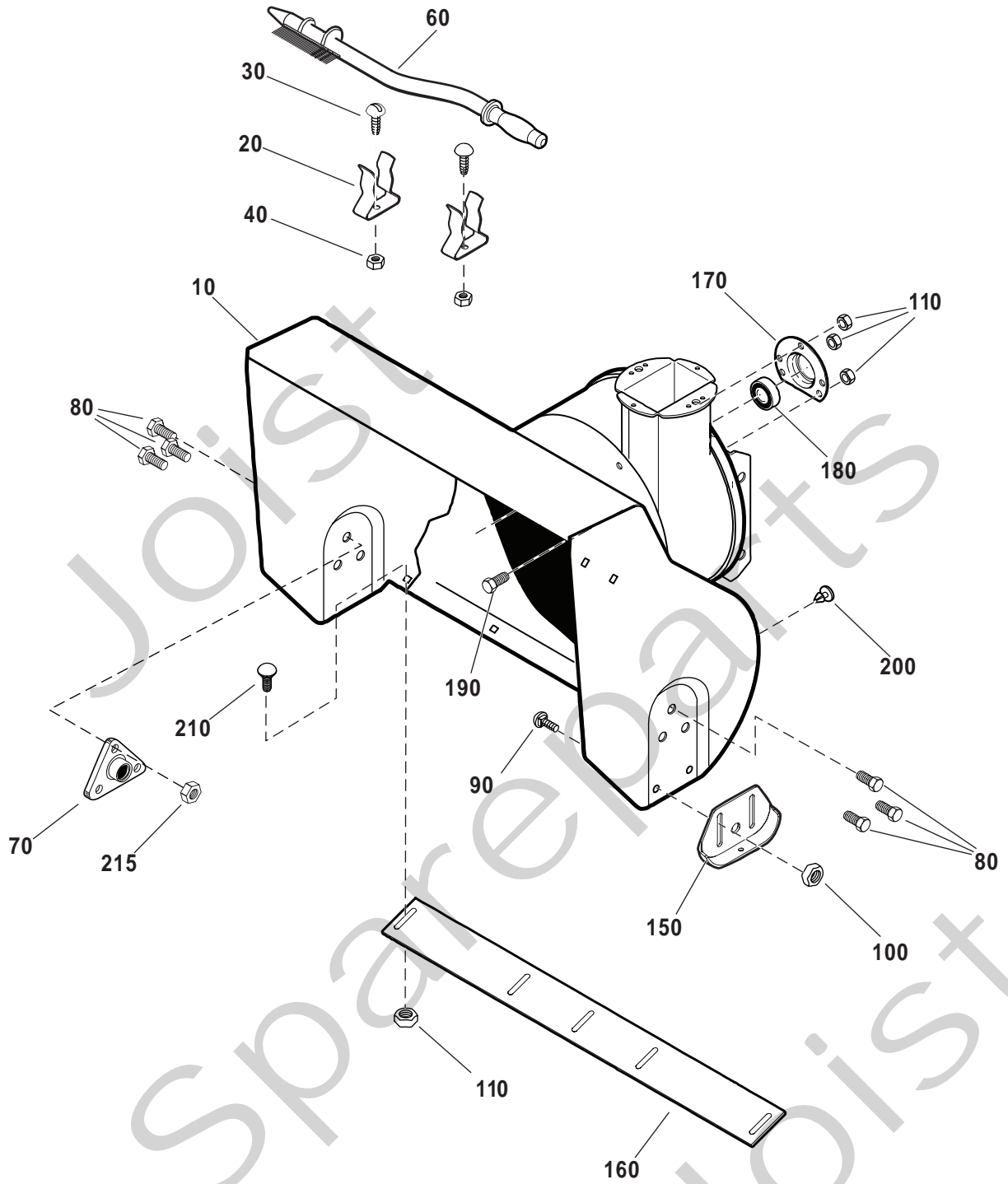
Utgåva Issue		Bildnr Picture No		SNOW BLIZZARD RAM MOTOR		SNOW BLIZZARD FRAME ENGINE		Sida Page	
2011-14		2831						66	
Pos. Fig.	Antal/Quantity				Art nr Part No	Benämning	Description	Sats Kit	Anmärkning Notes
	2830 -32								
X	10A	1			797003	Ljuddämparskydd.....	Muffler guard		B&S- part
	10B	3			699234	Skruv.....	Screw.....		B&S- part
X	10C	1			795027	Tanklock	Fuel cap.....		B&S- part
	50	4			9955-3732-12	Skruv.....	Screw.....		
X	90	1			1812-2739-01	Remskiva.....	Pulley.....		
	100	3			1812-2248-01	Bricka	Washer.....		
	110	1			9987-5145-12	Skruv.....	Screw		
	120	1			1812-2220-01	Kilrem- drivning.....	Belt- traction drive.....		
	130	1			1812-9020-01	Drivrem	Drive belt.....		
X	135	1			1812-2744-01	Tätninglist.....	Seal strip.....		
	140	1			1812-2532-01	Remstyrning.....	Belt stop.....		
	150	4			9683-0030-02	Låsbricka.....	Lock washer.....		
	160	2			9987-5119-16	Skruv.....	Screw.....		
X	170	1			1812-2742-01	Spännarm.....	Bracket, idler		
	171	1			9899-3625-16	Skruv.....	Screw.....		
	172	1			9795-3631-02	Mutter.....	Nut.....		
	180	1			1812-1705-01	Bussning	Bushing.....		
	190	1			1812-2489-01	Fjäder.....	Ext.idler spring.....		
	200	2			1812-2077-01	Spännrulle	Tension roller		
	205	1			9743-3721-32	Mutter.....	Nut.....		
	210	2			9743-3721-32	Mutter.....	Nut.....		
	220	1			9899-3732-16	Skruv.....	Screw.....		
X	230	1			1812-2740-01	Spännarm.....	Idler, auger.....		
X	240	1			1812-2743-01	Distans	Spacer, auger brkt.....		
	250	1			9699-0038-02	Planbricka.....	Flat washer.....		
	260	1			1812-2308-01	Reglagearm	Control arm.....		
	270	1			1812-2490-01	Låsnål.....	Hair pin.....		
	280	1			1812-2407-01	Sprint.....	Clevis pin.....		
	290	1			1812-2516-01	Bottenplåt.....	Bottom panel.....		
	300	6			1812-2250-01	Skruv.....	Screw.....		
	310	1			1812-1676-01	Fjäder.....	Tension spring		
X	320	1			1812-2733-01	Ram.....	Frame, box.....		
X	325	1			1812-2732-01	Fäste.....	Bracket.....		
X	330	1			1812-2737-01	Motorplatta.....	Plate, engine mount.....		
	350	19			1812-2141-01	Skruv.....	Screw.....		
	360	1			1812-2622-01	Remskydd	Belt cover.....		
	370	2			1812-1680-01	Skruv.....	Screw.....		
	390	1			1812-2504-01	Regnskydd.....	Water shield.....		
	390A	1			1812-2505-01	Tätning.....	Foam seal.....		
	410	1			9987-5125-16	Skruv.....	Screw.....		
	420	1			1812-2281-01	Låsnål.....	Cotter pin.....		



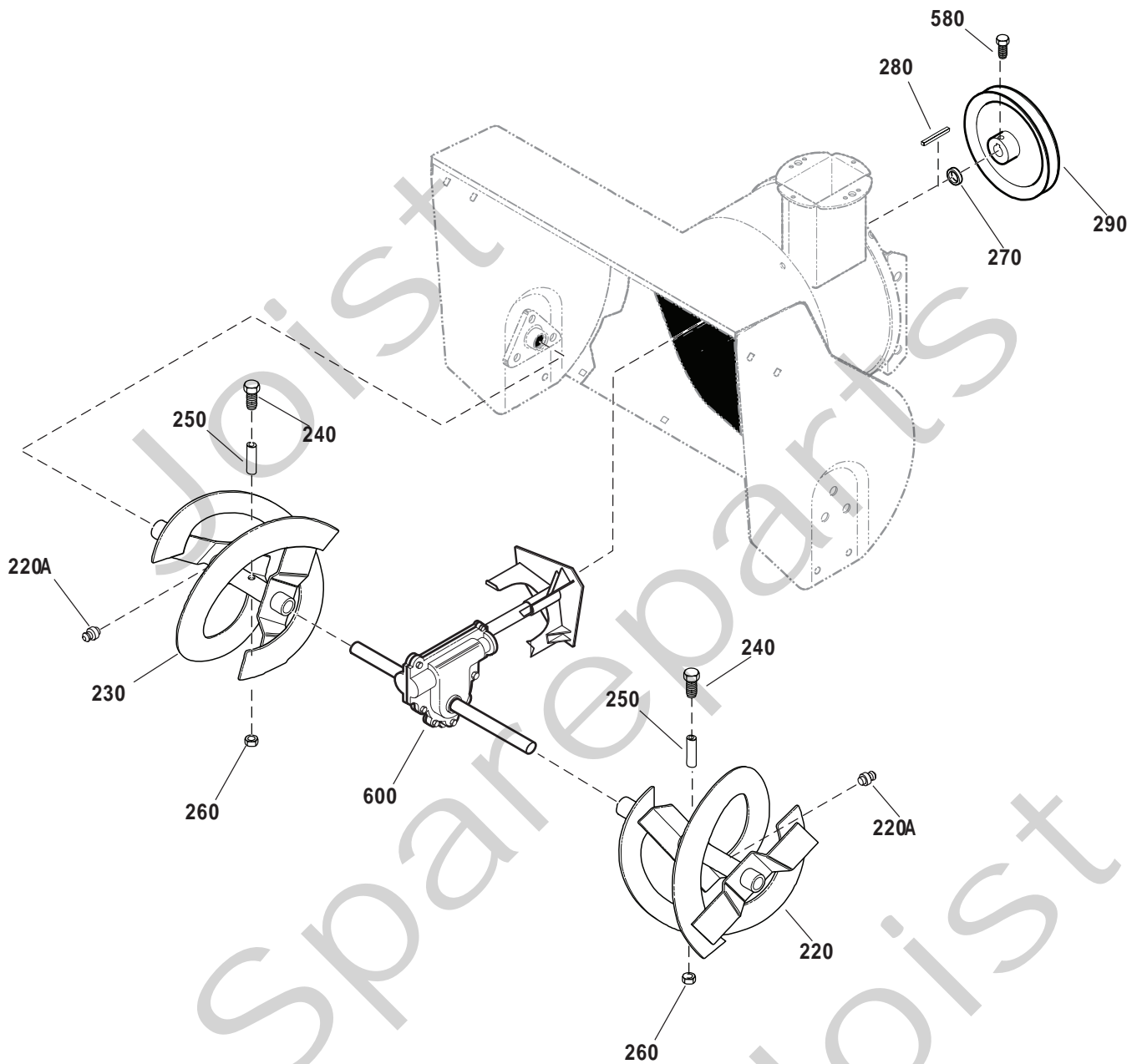
Utgåva Issue		Bildnr Picture No		SNOW BLIZZARD DRIVNING		SNOW BLIZZARD TRACTION DRIVE		Sida Page	
2011-14		2712A						68	
Pos. Fig.	Antal/Quantity				Art nr Part No	Benämning	Description	Sats Kit	Anmärkning Notes
	2830 -32								
200	1			1812-1686-01	Kedja	Chain			
210	4			1812-1178-01	Glidlager m.hållare	Bearing & retainer			
220	5			1812-1204-01	Bricka	Washer			
230	8			1812-2249-01	Skruv	Screw			
240	1			1812-1688-01	Kedja	Chain			
250	5			1812-1672-01	Låsring	Retainer ring			
260	1			1812-2076-01	Fjäderlänkarm	Spring link			
300	3			1812-2410-01	Fjäder	Extension spring			
310	1			1812-1751-01	Mellanaxel m.drev	Intermed. sprocket			
320	2			9699-0038-02	Planbricka	Flat washer			
330	1			1812-1713-01	Axel- svängplatta	Axle- swing plate			
340	1			1812-1863-01	Hjulaxel	Axle shaft			
350	1			9988-3545-12	Skruv	Screw			
420	1			1812-1712-01	Kedjedrev	Sprocket			
430	2			1812-1724-01	Lager	Axle bearing			
440	1			1812-1750-01	Sexkantsaxel	Hex shaft			
X 450	1			1812-2734-01	Nav, friktionshjul	Hub, friction wheel			
460	1			1812-9028-01	Friktionshjul	Friction disc wheel			
500	3			9988-3516-16	Skruv	Screw			
510	3			9795-3531-02	Mutter	Nut			
520	1			1812-2380-01	Låsring	Retext ring			
530	1			1812-1674-01	Flänslåsmutter	Flange lock nut			
540	1			1812-1701-01	Svängplatta	Swing plate			
550	1			1812-1739-01	Distans	Spacer			
560	1			1812-1725-01	Friktionsremskiva	Friction pulley			
600	1			1812-1720-01	Växelarm	Yoke rod			
610	1			1812-1219-01	Plastbussning	Plastic bushing			
620	2			9743-3521-32	Mutter	Nut			
630	1			9988-3538-12	Skruv	Screw			
640	1			1812-1205-01	Spole	Spool			
X 650	1			1812-2745-01	Fäste, wirerulle	Bracket, cable spool			
X 660	1			1812-2746-01	Wire	Cable			
680	2			9988-3516-16	Skruv	Screw			
690	2			9683-0025-02	Låsbricka	Lock washer			
700	2			9743-3521-32	Mutter	Nut			
710	1			1812-1999-01	Stödstag	Support bracket			
720	2			1812-2250-01	Skruv	Screw			



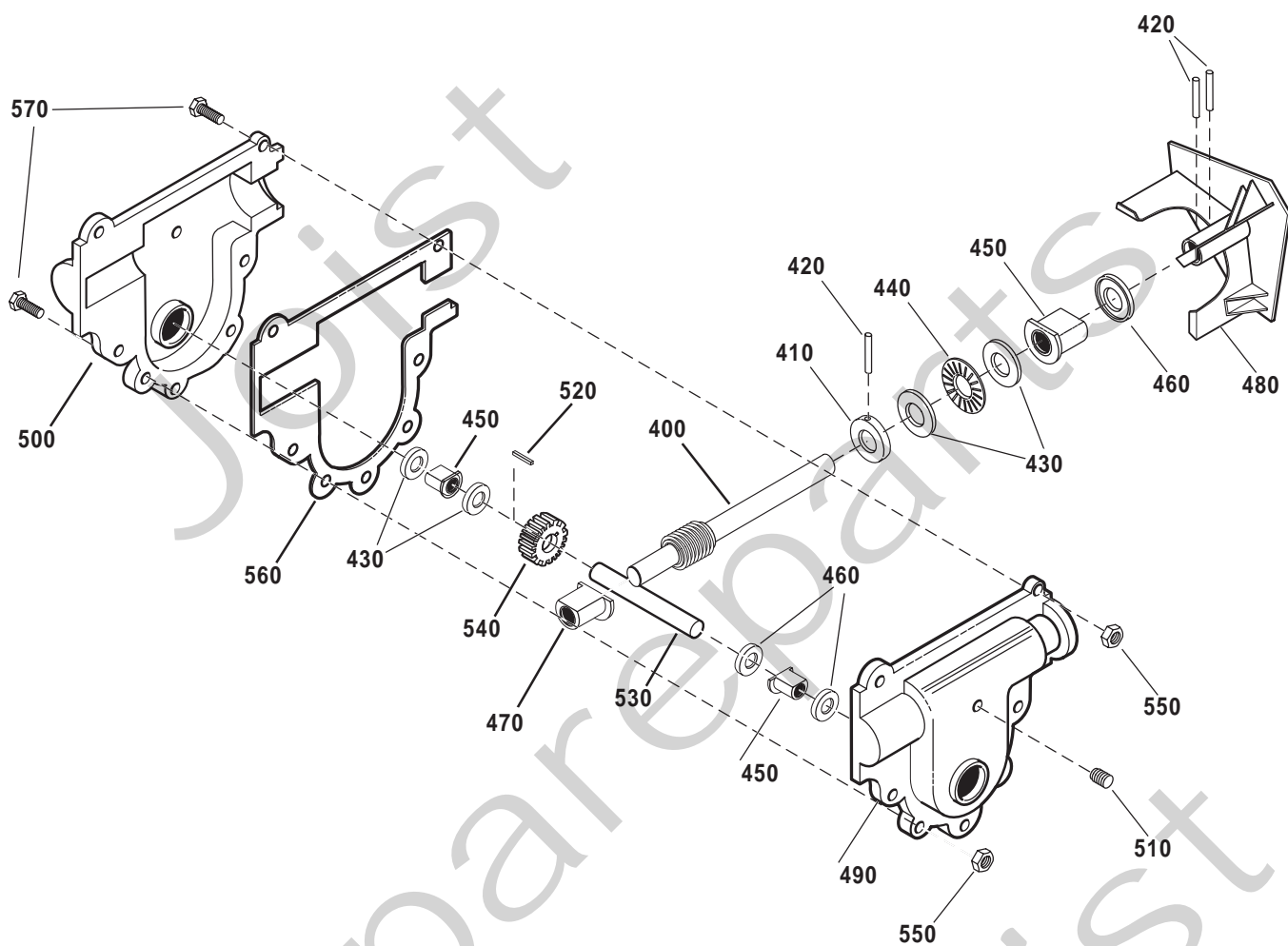
Utgåva Issue		Bildnr Picture No		SNOW BLIZZARD HJUL		SNOW BLIZZARD WHEELS		Sida Page	
2011-14		2713B						70	
Pos. Fig.	Antal/Quantity				Art nr Part No	Benämning	Description	Sats Kit	Anmärkning Notes
	2830 -32								
10	1				1812-2633-01	Hjul kpl-vä.....	Wheel & tire assy-LH		
20	1				1812-2634-01	Hjul kpl-hö	Wheel & tire assy-RH		
30	2				1812-2139-01	Låsring	Retaining ring		
60	1				1812-1114-01	Bult.....	Bolt		
70	1				1812-1760-01	Mutter	Nut		
80	1				1812-0408-01	Låssprint	Clík pin		



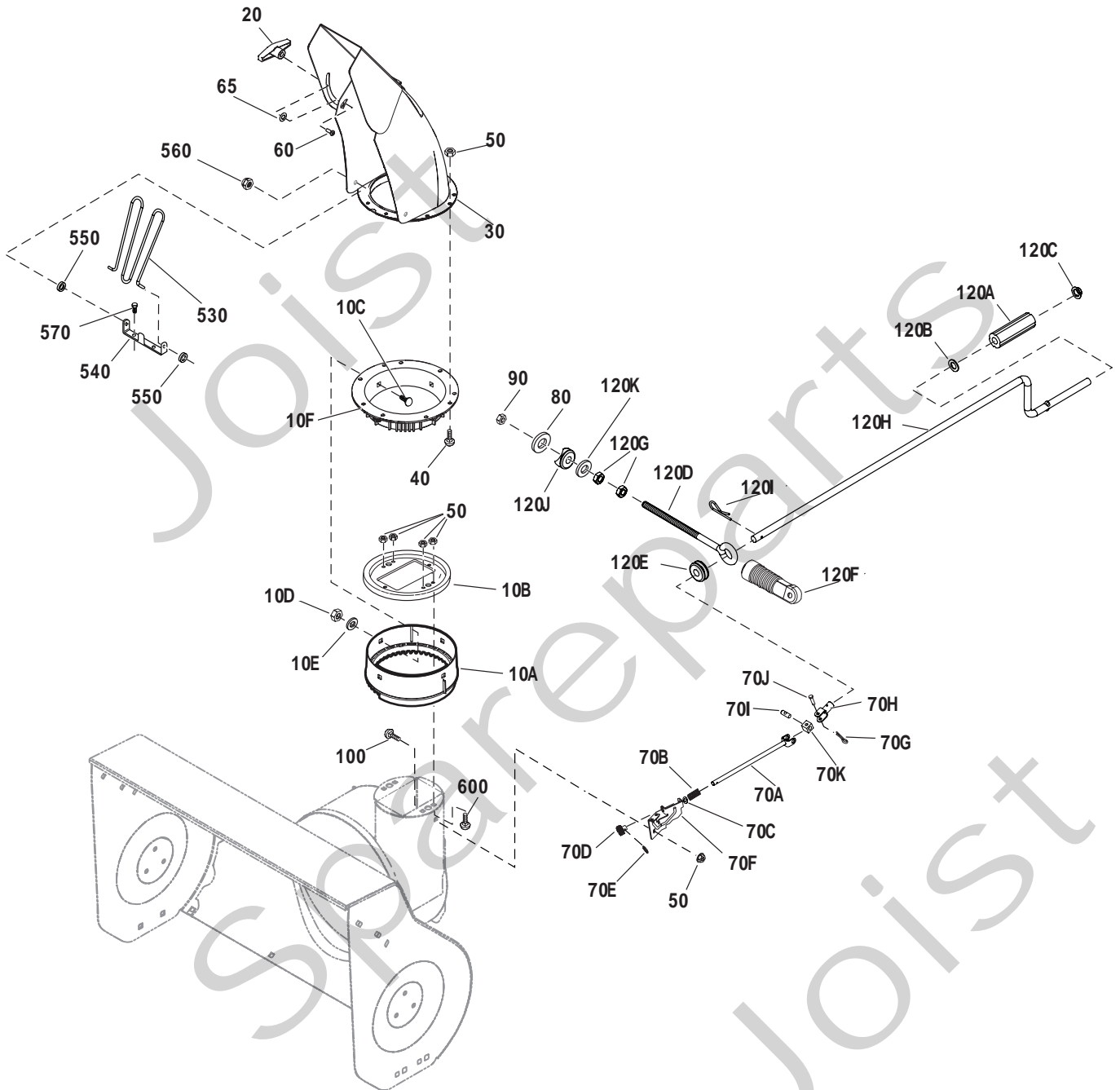
Utgåva Issue		Bildnr Picture No		SNOW BLIZZARD INMATNINGSHUS		SNOW BLIZZARD AUGER HOUSING		Sida Page	
2011-14		2714A						72	
Pos. Fig.	Antal/Quantity				Art nr Part No	Benämning	Description	Sats Kit	Anmärkning Notes
	2830 -32								
X 10	1				1812-2719-01	Inmatninghus	Auger housing.....		27" (69 cm)
20	2				1812-2413-01	Klämma	Spring clamp.....		
30	2				1812-2480-01	Skruv	Screw.....		
40	2				1812-1912-01	Mutter.....	Nut.....		
60	1				1812-2400-01	Borste.....	Cleanout brush.....		
70	2				1812-0878-01	Lager	Bearing.....		
80	6				9988-3619-16	Skruv	Screw.....		
90	4				1812-2487-01	Vagnsbult	Carriage bolt		
100	4				9743-3721-32	Mutter.....	Nut.....		
110	7				9727-3641-22	Mutter.....	Nut.....		
150	2				1812-2466-01	Släpsko.....	Skid shoe		
160	1				1812-2470-01	Skrapskär	Scraper blade.....		
170	1				1812-1690-01	Kullagerhållare.....	Ball bearing retainer		
180	1				1812-2373-01	Kullager	Ball bearing		
190	3				9899-3622-16	Skruv	Screw.....		
200	2				1812-1430-01	Plugg	Plug		
210	4				1812-2485-01	Vagnsbult	Carriage bolt		
215	6				9743-3621-32	Mutter.....	Nut.....		



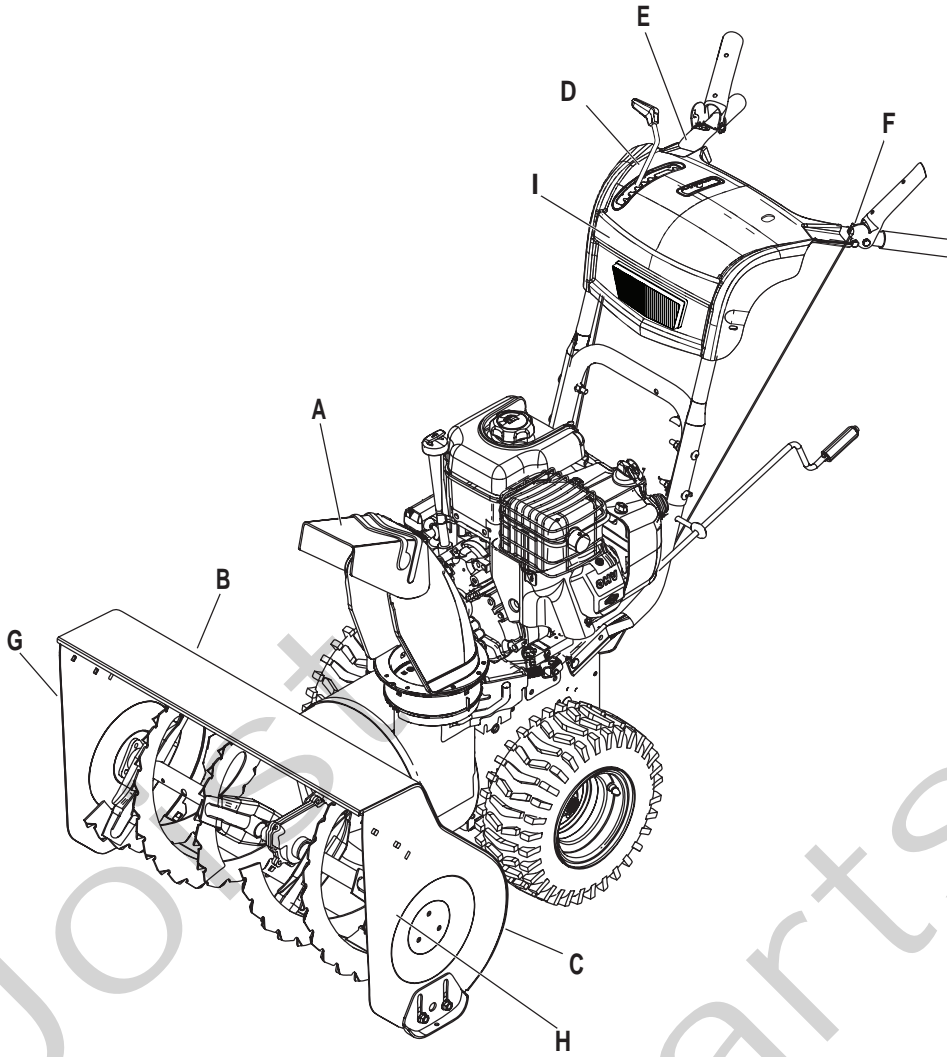
Utgåva Issue		Bildnr Picture No		SNOW BLIZZARD SNÖSKRUV		SNOW BLIZZARD AUGER DRIVE		Sida Page	
2011-14		2715A						74	
Pos. Fig.	Antal/Quantity				Art nr Part No	Benämning	Description	Sats Kit	Anmärkning Notes
	2830 -32								
220	1				1812-2118-01 Snöskruv- vä.....	Auger- LH.....			
220A	2				1812-2491-01 Smörjnippel.....	Grease fitting.....			
230	1				1812-2117-01 Snöskruv- hö.....	Auger- RH.....			
240	1				1812-9005-01 Brytbultsats.....	Shear bolt kit.....			
250	2				1812-0531-01 • Distans.....	• Spacer.....			
260	2				1812-0812-01 • Låsmutter.....	• Locking nut.....			
270	1				1812-1739-01 Distans.....	Spacer.....			
280	1				1812-1609-01 Kil.....	Key.....			
290	1				1812-1854-01 Remskiva- snöskruv.....	Auger pulley.....			
580	2				1812-1119-01 Skruv.....	Bolt.....			
600	1				1812-2442-01 Snäckväxel kpl.....	Gear case assy.....			



Utgåva Issue		Bildnr Picture No		SNOW BLIZZARD SNÄCKVÄXEL		SNOW BLIZZARD GEAR CASE		Sida Page	
2011-14		2716A						76	
Pos. Fig.	Antal/Quantity				Art nr Part No	Benämning	Description	Sats Kit	Anmärkning Notes
	2830 -32								
400	1				1812-1853-01	Ingående axel	Input shaft.....		
410	1				1812-1321-01	Distans	Thrust collar.....		
420	3				1133-0395-01	Stift.....	Roll pin		
430	4				1812-0857-01	Bricka	Thrust washer.....		
440	1				1812-0285-01	Nållager	Needle bearing		
450	3				1812-1360-01	Flänslager	Flange bearing.....		
460	3				1812-0881-01	Tätningring	Oil seal		
470	1				1812-1359-01	Bussning	Bushing.....		
480	1				1812-2467-01	Fläkt.....	Impeller.....		
490	1				1812-0908-01	Snäckväxelhus- vä	Gear case- LH.....		
500	1				1812-0909-01	Snäckväxelhus- hö	Gear case- RH		
510	1				1812-0856-01	Skruv	Screw.....		
520	1				1812-1371-01	Kil	Woodruff key		
530	1				1812-2086-01	Snöskruvaxel	Auger shaft		
540	1				1812-0862-01	Snäckdrev.....	Worm gear		
550	7				1812-1758-01	Mutter.....	Nut		
560	1				1812-1361-01	Packning.....	Gasket		
570	7				9988-3519-16	Skruv	Screw.....		



Utgåva Issue		Bildnr Picture No		SNOW BLIZZARD UTKAST		SNOW BLIZZARD DISCHARGE CHUTE		Sida Page	
2011-14		2717B						78	
Pos. Fig.	Antal/Quantity				Art nr Part No	Benämning	Description	Sats Kit	Anmärkning Notes
	2830 -32								
10A	1			1812-1787-01	Utkastring- yttre.....	Retainer ring- outer.....			
10B	1			1812-1983-01	Utkastplatta	Chute rotate collar.....			
10C	4			9899-3625-16	Skruv.....	Screw.....			
10D	4			9743-3621-32	Mutter.....	Nut.....			
10E	4			9699-0029-02	Planbricka.....	Flat washer.....			
10F	1			1812-2472-01	Ring- inre.....	Chute ring- inner.....			
20	1			1812-1928-01	Låsraff.....	Wing knob.....			
30	1			1812-2406-01	Utkast.....	Chute assy.....			
40	4			1812-2477-01	Skruv.....	Cap screw.....			
50	8			9743-3521-32	Mutter.....	Nut.....			
60	1			1812-1678-01	Vagnsbult.....	Carriage bolt.....			
65	1			1812-2278-01	Nylonbricka.....	Nylon washer.....			
70	1			1812-2367-01	Inställn. vev- undre.....	Gear/yoke rod- lower.....		Inkl. pos 70A- 70K	
70A	1			1812-1826-01	• Gaffelstång.....	• Yoke and rod.....			
70B	1			1812-1761-01	• Fjäder.....	• Spring.....			
70C	1			1812-2108-01	• Bricka.....	• Washer.....			
70D	1			1812-1706-01	• Drev.....	• Gear.....			
70E	1			1812-1791-01	• Låsnål.....	• Hair pin.....			
70F	1			1812-2356-01	• Fäste.....	• Support.....			
70G	1			9599-0033-00	• Saxsprint.....	• Split pin.....			
70H	1			1812-1708-01	• Gaffel.....	• Yoke adapter.....			
70I	1			1812-1316-01	• Axel.....	• Universal pin.....			
70J	1			1812-1318-01	• Sprint.....	• Clevis pin.....			
70K	1			1812-1317-01	• Ledknut.....	• Universal pivot block.....			
80	1			9699-0035-02	Planbricka.....	Flat washer.....			
90	1			9743-3721-32	Mutter.....	Nut.....			
100	1			1812-1831-01	Skruv.....	Screw.....			
120	1			1812-2457-01	Inställn. vev- övre kpl.....	Rod- upper assy.....		Inkl. pos 120A- 120K	
120A	1			1812-1168-01	• Handtag.....	• Handle.....			
120B	2			1812-1171-01	• Bricka.....	• Washer.....			
120C	1			1812-1483-01	• Låsning.....	• Retainer.....			
120D	1			1812-1821-01	• Öglebult.....	• Eye bolt.....			
120E	1			1812-0203-01	• Hylsa.....	• Grommet.....			
120F	1			1812-1822-01	• Hylsa- öglebult.....	• Boot- eye bolt.....			
120G	2			9743-3721-32	• Mutter.....	• Nut.....			
120H	1			1812-1707-01	• Inställningsvev.....	• Chute crank.....			
120I	1			1812-2490-01	• Låsnål.....	• Hair pin.....			
120J	2			1812-1172-01	• Adapter.....	• Boot adaptor.....			
120K	1			9699-0035-02	• Planbricka.....	• Flat washer.....			
530	1			1812-2381-01	Utkastskydd.....	Chute guard.....			
540	1			1812-2416-01	Fäste.....	Chute guard brkt.....			
550	2			1812-2426-01	Hylsa.....	Grommet.....			
560	2			1812-2478-01	Snabbmutter.....	Push nut.....			
570	2			1812-2473-01	Skruv.....	Screw.....			
600	4			1812-2477-01	Skruv.....	Cap screw.....			



1

A

B

E

F

D

G

H

C

I

Utgåva Issue 2011-14		Bildnr Picture No 2832		SNOW BLIZZARD DEKALER		SNOW BLIZZARD LABELS		Sida Page 80	
Pos. Fig.	Antal/Quantity				Art nr Part No	Benämning	Description	Sats Kit	Anmärkning Notes
	2830 -32								
X 1	1				1812-2701-02	Dekalsats	Label kit		Inkl. A-I