

Genuine Spare Parts

www.stiga.com

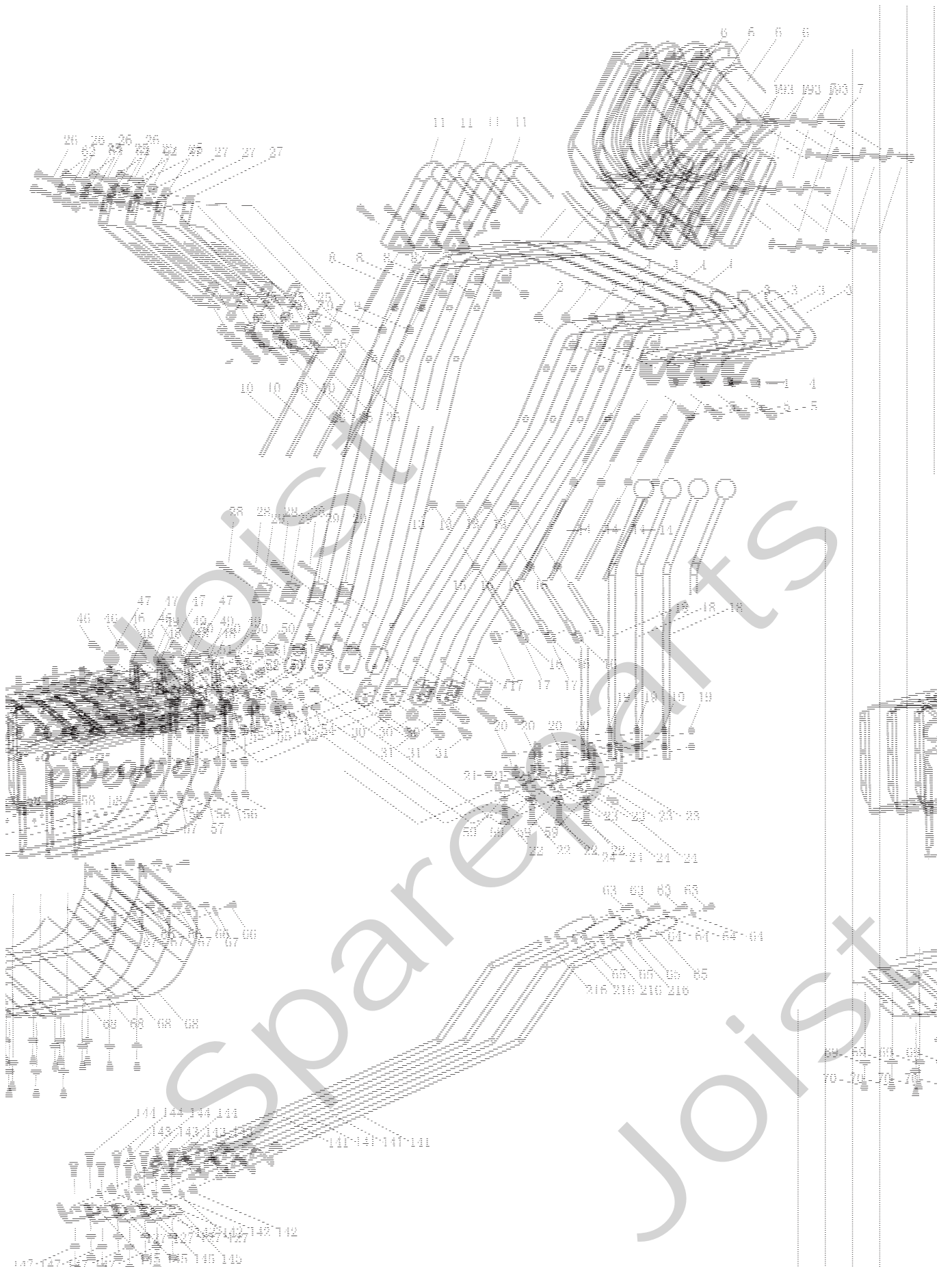
SNOW CUBE-SNOW CRYSTAL Model Year 2010/2011

- Use GLOBAL GARDEN PRODUCT Genuine Spare Parts specified in the parts list for repair and/or replacement.
- The contents described in the parts list may change due to improvement.
- The drawings of the spare parts are only indicative and might not represent the part in question exactly.
- The indications "right" - "left" - "front" - "rear" refer to the position of the operator when using the machine.
- When placing orders of parts for repair and/or replacement, make sure that the illustrated parts list is the one applying to the machine's year of manufacture, as shown on the identification plate attached to the machine.

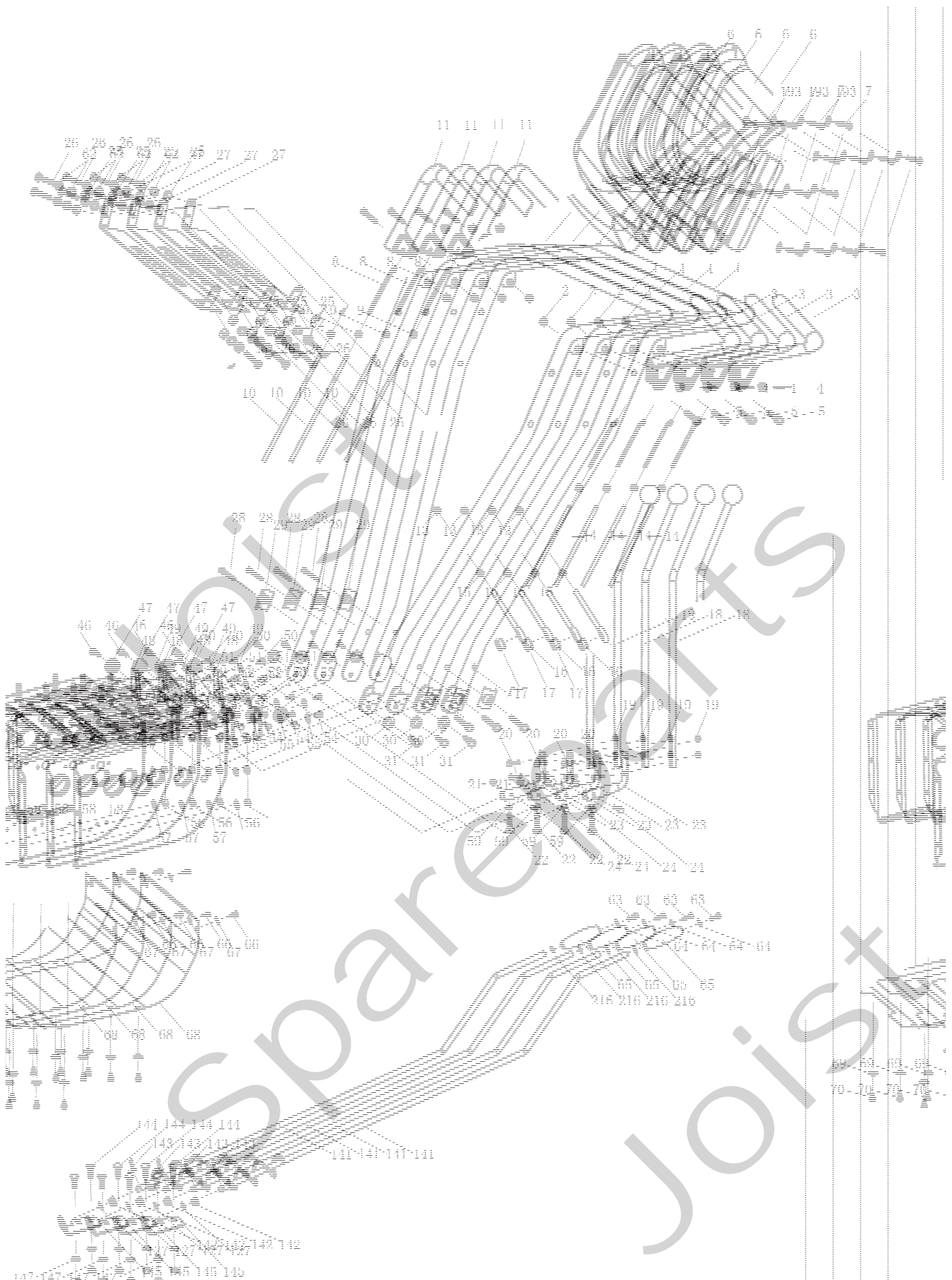
COPYRIGHT by GLOBAL GARDEN PRODUCTS

All rights reserved. No part of this material may be reproduced or transmitted, in any form or by any means, electronic or mechanical, including photocopying, recording or by any information storage and retrieval system, without permission in writing from GLOBAL GARDEN PRODUCTS.

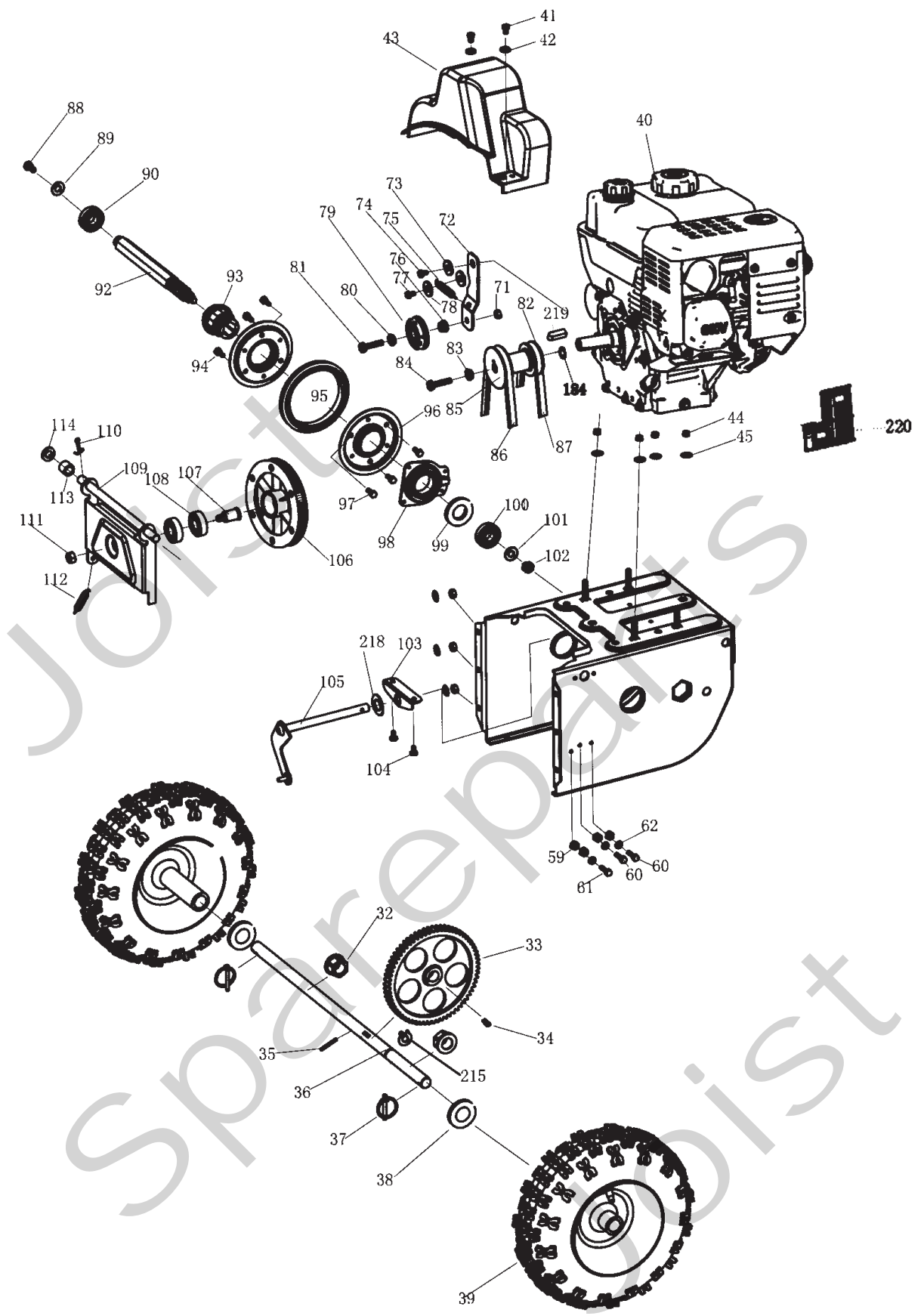




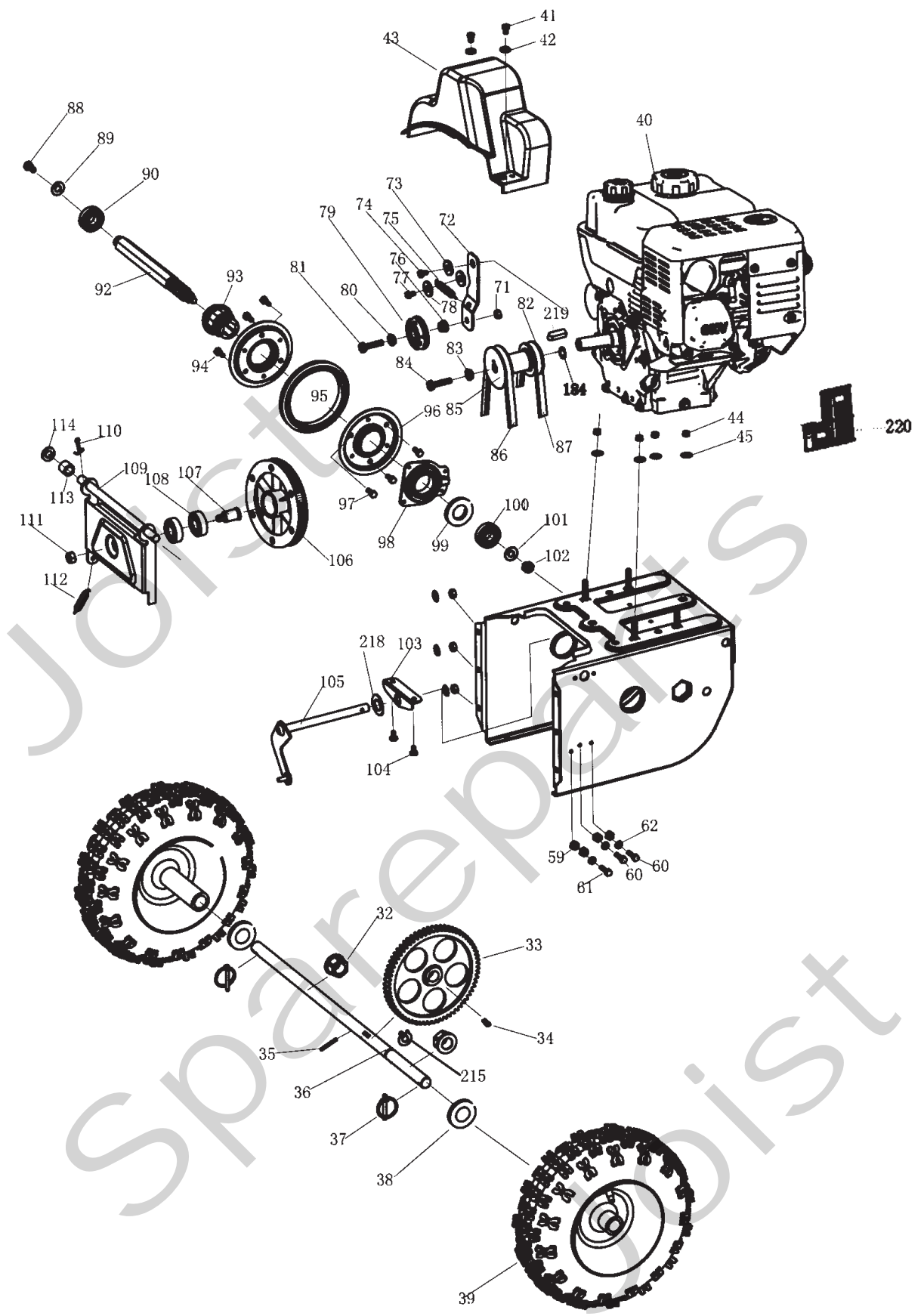
Utgåva Issue		Bildnr Picture No		SNOW CUBE SNOW CRYSTAL ES STYRE REGLAGE		SNOW CUBE SNOW CRYSTAL ES HANDLE CONTROLS		Sida Page	
2010-14		2171B						30	
Pos. Fig.	Antal/Quantity			Art nr Part No	Benämning	Description	Sats Kit	Anmärkning Notes	
	2803 -31	2804 -31							
	1	1		1811-2466-01	Styre	Handle			
	1		1	1811-2557-01	Styre	Handle			
	2	2	2	9747-0831-02	Mutter	Lock nut			
	3	1	1	1811-2567-01	Inkoppl.handtag- vä	Clutch handle- LH			
	4	2	2	1811-2472-01	Gummiskydd	Rubber cap			
	5	2	2	9997-0845-12	Skruv	Screw			
	6	1	1	1811-2570-01	Panel- gul	Dashboard- yellow			
	7	4	4	1811-2400-01	Skruv	Screw			
	8	2	2	1811-2458-01	Justerstång	Adjustment rod			
	9	2	2	9799-0531-02	Mutter	Nut			
X	10	1	1	1811-2585-01	Reglagewire	Control cable		L = 105 cm	
	11	1	1	1811-2566-01	Inkoppl.handtag- hö	Clutch handle- RH			
	13	1	1	9747-0831-02	Mutter	Lock nut			
X	14	1		1811-2586-01	Reglagewire	Control cable		L = 116,5 cm	
X	14		1	1811-2587-01	Reglagewire	Control cable		L = 117,5 cm	
	15	1	1	9787-0831-32	Mutter	Nut			
	16	1	1	1811-2468-01	Ögla	Eye bolt			
	17	1	1	1811-2469-01	Gummihylsa	Rubber sleeve			
	18	1	1	1811-2563-01	Växelspåk	Gear lever			
	19	2	2	9739-0631-22	Mutter	Nut			
	20	2	2	9997-0620-16	Skruv	Screw			
	21	1	1	9739-0631-22	Mutter	Nut			
	22	1	1	9997-0620-16	Skruv	Screw			
	23	1	1	1811-2482-01	Växelarm	Gear rod			
	24	1	1	9997-0625-16	Skruv	Screw			
	25	4	4	9747-0631-02	Låsmutter	Lock nut			
	26	4	4	9997-0635-12	Skruv	Screw			
	27	1	1	1811-2565-01	Växellägesplåt	Gear select plate			
	28	2	2	9997-0840-16	Skruv	Screw			
	29	2	2	1811-2453-01	Styresbricka	Handle washer			
	30	2	2	9699-0062-02	Planbricka	Flat washer			
	31	2	2	9997-0820-16	Skruv	Screw			
	46	2	2	1811-2476-01	Ansatsbult	Shoulder bolt			
	47	1	1	1811-2440-01	Wirerulle	Wire pulley			
	48	1	1	1811-2439-01	Fäste- gul	Bracket- yellow			
	49	2	2	9699-0025-02	Planbricka	Washer			
	50	2	2	9997-0612-16	Skruv	Screw			
	51	2	2	9739-0631-22	Mutter	Nut			
	52	1	1	1811-2437-01	Fäste- gul	Bracket- yellow			
	53	1	1	1811-2440-01	Wirerulle	Wire pulley			
	54	2	2	9997-0612-16	Skruv	Screw			
	55	2	2	9699-0025-02	Planbricka	Washer			
	56	6	6	9747-0831-02	Mutter	Lock nut			
	57	6	6	9699-0028-02	Planbricka	Flat washer			
X	58	1	1	1811-2588-01	Chassi	Chassis			
	59	1	1	9747-0631-02	Låsmutter	Lock nut			
	62	8	8	9699-0025-02	Planbricka	Washer			
	63	1	1	9997-0610-16	Skruv	Screw			
	64	1	1	9699-0025-02	Planbricka	Washer			
	65	1	1	1811-2442-01	Handtag	Grip			
	66	2	2	9997-0610-16	Skruv	Screw			
	67	2	2	9699-0025-02	Planbricka	Washer			
	68	1	1	1811-2486-01	Bottenplåt- gul	Bottom plate- yell			
	69	4	4	9699-0025-02	Planbricka	Washer			
	70	4	4	9997-0610-16	Skruv	Screw			
	127	1	1	9699-0035-02	Planbricka	Flat washer			
	141	1	1	1811-2467-01	Inställningsvev	Crank			
	142	1	1	1811-2431-01	Bussning	Bushing			
	143	1	1	9599-0054-02	Saxpinne	Cotter pin			
	144	2	2	9898-0820-16	Skruv	Screw			
	145	1	1	1811-2430-01	Fäste- gul	Bracket- yellow			
	146	2	2	9747-0831-02	Mutter	Lock nut			
	147	2	2	9699-0056-02	Planbricka	Flat washer			



Utgåva Issue 2010-14		Bildnr Picture No 2171B		SNOW CUBE SNOW CRYSTAL ES STYRE REGLAGE		SNOW CUBE SNOW CRYSTAL ES HANDLE CONTROLS		Sida Page 32	
Pos. Fig.	Antal/Quantity			Art nr Part No	Benämning	Description	Sats Kit	Anmärkning Notes	
	2803 -31	2804 -31							
X 193	4	4		9699-0072-02	Bricka	Washer.....		Ej ill/not ill.	
216	1	1		9699-0029-02	Planbricka.....	Flat washer.....			
999	1	1		8218-2254-10	Bruksanvisning.....	Owner's manual			



Utgåva Issue 2010-14		Bildnr Picture No 2172B		SNOW CUBE SNOW CRYSTAL ES TRANSMISSION		SNOW CUBE SNOW CRYSTAL ES TRANSMISSION		Sida Page 34	
Pos. Fig.	Antal/Quantity			Art nr Part No	Benämning	Description	Sats Kit	Anmärkning Notes	
	2803 -31	2804 -31							
	32	2	2	1811-2452-01	Hjulaxelbussning	Wheel shaft bushing			
	33	1	1	1811-2421-01	Drev	Gear			
	34	2	2	1811-2406-01	Kil	Key			
	35	1	1	9595-0212-00	Spännstift	Locating pin			
	36	1		1811-2441-01	Hjulaxel	Wheel shaft			
	36		1	1811-2550-01	Hjulaxel	Wheel shaft			
	37	2	2	1811-2478-01	Fjäderpinne	Spring pin			
	38	2	2	1811-2407-01	Planbricka	Flat washer			
	39	2		1811-2408-01	Hjul kpl	Wheel assy			
	39		2	1811-2541-01	Hjul kpl	Wheel assy			
X	40	1		118550656/0	Motor kpl	Engine compl			
X	40		1	118550657/0	Motor kpl	Engine compl			
	41	2	2	9997-0610-16	Skruv	Screw			
	42	2	2	9699-0025-02	Planbricka	Washer			
	43	1	1	1811-2455-01	Remskydd	Belt cover			
	44	4	4	9747-0831-02	Mutter	Lock nut			
	45	4	4	9699-0028-02	Planbricka	Flat washer			
	59	3	3	9747-0631-02	Låsmutter	Lock nut			
	60	2	2	9997-0630-12	Skruv	Screw		L = 30 mm	
	61	1	1	9997-0620-16	Skruv	Screw		L = 20 mm	
	62	3	3	9699-0025-02	Planbricka	Washer			
	71	1	1	9747-0631-02	Låsmutter	Lock nut			
	72	1	1	1811-2470-01	Spännarm	Tension arm			
	73	1	1	1811-2559-01	Spännarmsbricka	Tension washer			
	74	1	1	9997-0820-16	Skruv	Screw			
	75	1	1	1811-2555-01	Fjäder	Spring			
	76	1	1	1811-2575-01	Bricka	Washer			
	77	1	1	9997-0812-16	Skruv	Screw			
X	78	2	2	9699-0028-02	Planbricka	Flat washer			
	79	1	1	1811-2593-01	Spännrulle kpl	Tension pulley			
	80	1	1	1811-2427-01	Bricka	Washer			
	81	1	1	9997-0830-16	Skruv	Screw			
	82	1	1	1811-2473-01	Remskiva	Belt pulley			
	83	1	1	1811-2542-01	Planbricka	Plain cushion			
	84	1	1	9987-5125-16	Skruv	Screw			
	85	1		1811-2474-01	Remskiva	Belt pulley			
X	85		1	1811-2560-01	Remskiva	Main belt pulley			
X	86		1	1811-2578-01	Drivrem	Belt			
X	86	1		1811-2579-01	Drivrem	Belt			
	87	1	1	1811-2410-01	Drivrem	Belt			
	88	1	1	9997-0816-16	Skruv	Screw			
	89	3	3	9699-0122-02	Bricka	Washer			
	90	1	1	1811-2411-01	Lager	Bearing			
	92	1	1	1811-2423-01	Sexkantsaxel	Hex shaft			
	93	1	1	1811-2435-01	Nav	Hub			
	94	3	3	9997-0612-16	Skruv	Screw			
X	95	1	1	1811-2584-01	Friktionsring	Friction ring			
	96	2	2	1811-2433-01	Friktionshjul	Friction wheel			
	97	3	3	9997-0612-16	Skruv	Screw			
	98	1	1	1811-2434-01	Växelförare	Gear selector hub			
	99	1	1	1811-2412-01	Låsring	Lock ring			
	100	1	1	1811-2413-01	Lager	Bearing			
	101	1	1	9699-0035-02	Planbricka	Flat washer			
	102	1	1	9747-1031-02	Låsmutter	Lock nut			
	103	1	1	1811-2420-01	Fäste	Bracket			
	104	2	2	9997-0610-16	Skruv	Screw			
	105	1	1	1811-2465-01	Växelförararm	Gear lever			
	106	1	1	1811-2428-01	Drivskiva	Drive pulley			
	107	1	1	1811-2429-01	Axeltapp	Shaft			
	108	2	2	1811-2414-01	Lager	Bearing			
	109	1	1	1811-2424-01	Fäste- drivskiva	Bracket- drive pulley			
	110	1	1	9599-0054-02	Saxpinne	Cotter pin			
	111	1	1	9747-1031-02	Låsmutter	Lock nut			



Utgåva Issue 2010-14		Bildnr Picture No 2172B		SNOW CUBE SNOW CRYSTAL ES TRANSMISSION		SNOW CUBE SNOW CRYSTAL ES TRANSMISSION		Sida Page 36	
Pos. Fig.	Antal/Quantity				Art nr Part No	Benämning	Description	Sats Kit	Anmärkning Notes
	2803 -31	2804 -31							
X	112	1	1		1811-2483-01	Fjäder.....	Spring		
X	113	1	1		1811-2489-01	Hylsa	Collar		
	114	1	1		9699-0037-02	Bricka	Washer.....		
	184	1	1		1811-2477-01	Bricka	Washer.....		
	215	1	1		9650-0019-04	Låsring	Retainer ring		
	218	1	1		9699-0037-02	Bricka	Washer.....		
	219	1	1		1811-2581-01	Kil	Key		
	220	1	1		1811-2592-01	Värmskydd.....	Heat guard		



Utgåva Issue 2010-14		Bildnr Picture No 2173B		SNOW CUBE SNOW CRYSTAL ES INMATNINGSHUS		SNOW CUBE SNOW CRYSTAL ES AUGER HOUSING		Sida Page 38	
Pos. Fig.	Antal/Quantity			Art nr Part No	Benämning	Description	Sats Kit	Anmärkning Notes	
	2803 -31	2804 -31							
57	1	1		9699-0028-02	Planbricka.....	Flat washer.....			
115	1	1		9747-0631-02	Låsmutter.....	Lock nut.....			
116	1	1		1811-2438-01	Fäste- gul.....	Bracket- yellow.....			
117	2	2		9699-0025-02	Planbricka.....	Washer.....			
118	2	2		9997-0610-16	Skruv.....	Screw.....			
119	1	1		1811-2440-01	Wirerulle.....	Wire pulley.....			
120	1	1		1811-2476-01	Ansatsbult.....	Shoulder bolt.....			
121	1	1		1811-2425-01	Spännrulle m.lager.....	Tension roller w.bear.....			
122	1	1		1811-2426-01	Distans.....	Spacer.....			
123	1	1		9997-0845-12	Skruv.....	Screw.....			
124	1	1		1811-2427-01	Bricka.....	Washer.....			
125	1	1		9747-0831-02	Mutter.....	Lock nut.....			
126	1	1		9747-1031-02	Låsmutter.....	Lock nut.....			
127	1	1		9699-0035-02	Planbricka.....	Flat washer.....			
128	1	1		1811-2448-01	Spännarm.....	Tension arm.....			
129	1	1		1811-2457-01	Fjäder.....	Spring.....			
130	1	1		1811-2475-01	Skruv.....	Screw.....			
131	1	1		1811-2462-01	Fjäder.....	Spring.....			
132	2	2		9699-0028-02	Planbricka.....	Flat washer.....			
133	1	1		9747-0831-02	Mutter.....	Lock nut.....			
148	2	2		9747-0831-02	Mutter.....	Lock nut.....			
149	2	2		9898-0820-16	Skruv.....	Screw.....			
150	4	4		9747-0831-02	Mutter.....	Lock nut.....			
151	1			1811-2548-01	Skrapskär.....	Shave plate.....			
151		1		1811-2549-01	Skrapskär.....	Shave plate.....			
152	2	2		9898-0820-16	Skruv.....	Screw.....			
153	4	4		9699-0056-02	Planbricka.....	Flat washer.....			
154	2	2		9747-0831-02	Mutter.....	Lock nut.....			
155	2	2		9699-0056-02	Planbricka.....	Flat washer.....			
156	2	2		1811-2568-01	Släpsko.....	Skid shoe.....			
X 157	1			1811-2589-01	Snöskruvhus.....	Auger housing.....			
X 157		1		1811-2590-01	Snöskruvhus.....	Auger housing.....			
186	4	4		9898-0820-16	Skruv.....	Screw.....			
187	2	2		9699-0056-02	Planbricka.....	Flat washer.....			
188	2	2		9747-0831-02	Mutter.....	Lock nut.....			
189	2	2		9747-0631-02	Låsmutter.....	Lock nut.....			
190	2	2		9997-0616-16	Skruv.....	Screw.....			
191	6	6		9747-0631-02	Låsmutter.....	Lock nut.....			
192	3	3		1811-2445-01	Flänsbricka.....	Chute washer.....			
194	6	6		1811-2551-01	Skruv.....	Screw.....			
195	2	2		9747-0831-02	Mutter.....	Lock nut.....			
196	2	2		1811-2498-01	Låsratt.....	Locking knob.....			
197	2	2		9898-0825-16	Skruv.....	Screw.....			
198	1	1		1811-2571-01	Utkaströr.....	Chute.....			
199	1	1		9997-0620-16	Skruv.....	Screw.....			
200	1	1		1811-2461-01	Fjäder.....	Spring.....			
201	1	1		9747-0631-02	Låsmutter.....	Lock nut.....			
202	1	1		1811-2432-01	Utkastskydd.....	Chute guard.....			
203	1	1		1811-2500-01	Rensdon.....	Cleaner stick.....			
204	2	2		9898-0820-16	Skruv.....	Screw.....			
205	1	1		1811-2572-01	Fäste- rensdon.....	Cleaner stick bracket.....			
212		1		1811-2553-01	Brytbult.....	Shear bolt.....			
213		1		1811-2546-01	Låsmutter.....	Lock nut.....			
214	2	2		1811-2547-01	Gummiblock.....	Rubber block.....			



Joist
Spare parts
Joist

Utgåva Issue 2010-14		Bildnr Picture No 2174C		SNOW CUBE SNOW CRYSTAL ES SNÖSKRUV		SNOW CUBE SNOW CRYSTAL ES AUGER		Sida Page 40	
Pos. Fig.	Antal/Quantity			Art nr Part No	Benämning	Description	Sats Kit	Anmärkning Notes	
	2803 -31	2804 -31							
12	1	1		9997-0510-16	Skruv.....	Screw.....			
133	1	1		9747-0831-02	Mutter.....	Lock nut.....			
134	1	1		9997-0820-16	Skruv.....	Screw.....			
135	1	1		9699-0056-02	Planbricka.....	Flat washer.....			
136	1			1811-2464-01	Remskiva.....	Belt pulley.....			
136		1		1811-2556-01	Remskiva.....	Belt pulley.....			
137	3	3		9747-0831-02	Mutter.....	Lock nut.....			
138	1	1		1811-2422-01	Lagerskål.....	Bearing cover.....			
139	1	1		9600-0170-00	Plattkil.....	Flat key.....			
140	1	1		1811-2415-01	Lager.....	Bearing.....			
158	1			1811-2447-01	Snöskruvaxel.....	Auger shaft.....		Ø = 19 mm	
158		1		1811-2552-01	Snöskruvaxel.....	Auger shaft.....			
159	1	1		1811-2416-01	Kil.....	Key.....			
160	2	2		9747-0831-02	Mutter.....	Lock nut.....			
161	1	1		1811-9012-01	Brytbultsats.....	Shear bolt kit.....		Inkl. pos 160	
162	1			1811-2480-01	Snöskruv- vä.....	Auger- LH.....			
162		1		1811-2561-01	Snöskruv- vä.....	Auger- LH.....			
163	1	1		1811-2443-01	Axelbussning.....	Shaft bushing.....			
164	2	2		1811-2418-01	Planbricka.....	Flat washer.....			
165	2	2		1811-2444-01	Axelbussning.....	Shaft bushing.....			
166	2	2		1811-2449-01	Lagerfäste.....	Bearing cover.....			
167	6	6		9699-0028-02	Planbricka.....	Flat washer.....			
168	6	6		9997-0812-16	Skruv.....	Screw.....			
169	1			1811-2479-01	Snöskruv- hö.....	Auger- RH.....			
169		1		1811-2562-01	Snöskruv- hö.....	Auger- RH.....			
170	6	6		9997-0620-16	Skruv.....	Screw.....			
171	7	7		9683-0025-02	Låsbricka.....	Lock washer.....			
172	7	7		9699-0025-02	Planbricka.....	Washer.....			
173	1	1		1811-2463-01	Snäckdrev.....	Worm wheel.....			
174	1	1		1811-2484-01	Snäckväxelhus- vä.....	Gear housing- LH.....			
174A	1	1		1811-2569-01	Packning d.o.....	Gasket.....		Ej ill/not ill	
175	1	1		1811-2490-01	Bussning.....	Bushing.....			
176	4	4		1811-2443-01	Axelbussning.....	Shaft bushing.....			
177	1	1		1811-2485-01	Snäckväxelhus- hö.....	Gear housing- RH.....			
178	1	1		1811-2402-01	Lager.....	Bearing.....			
179	1	1		1811-2454-01	Fläktaxel.....	Fan shaft.....		Ø = 20 mm	
180	1	1		1811-2403-01	Lager.....	Bearing.....			
181	1	1		1811-2404-01	Trycklager.....	Thrust bearing.....			
182	1	1		1811-2405-01	Tätningring.....	Seal ring.....		32 x 20 x 6 mm	
183	2	2		9595-0258-00	Spännstift.....	Locating pin.....			
184	1	1		1811-2477-01	Bricka.....	Washer.....			
185	1	1		1811-2419-01	Fläkt.....	Fan.....			
X 206	1	1		1811-2591-01	Remstyrning.....	Belt plate.....			
207	1	1		9997-0625-16	Skruv.....	Screw.....			
210	1	1		1811-2544-01	Smörjnippel.....	Grease filling joint.....			
211	1	1		1811-2545-01	Packning.....	Wave gasket.....			
X 217	2	2		1811-2580-01	Tätningring.....	Oil seal.....		30 x 19 x 7 mm	

Snow Cube



12.4*7.4cm



7*9.4cm



10.5*3.5cm



23*1.2cm



11.5*4.1CM



Snow Crystal



12.4*7.4cm



7*9.4cm



10.5*3.5cm



23*1.2cm



11.5*4.1CM



Utgåva Issue 2010-14		Bildnr Picture No 2784		SNOW CUBE SNOW CRYSTAL ES DEKALER		SNOW CUBE SNOW CRYSTAL ES LABELS		Sida Page 42	
Pos. Fig.	Antal/Quantity				Art nr Part No	Benämning	Description	Sats Kit	Anmärkning Notes
	2803 -31	2804 -31							
X X	1 1	1 1	1		1811-2582-01 1811-2583-01	Dekalsats Dekalsats	Label kit Label kit		Snow Crystal Snow Cube