

# Genuine Spare Parts

www.stiga.com

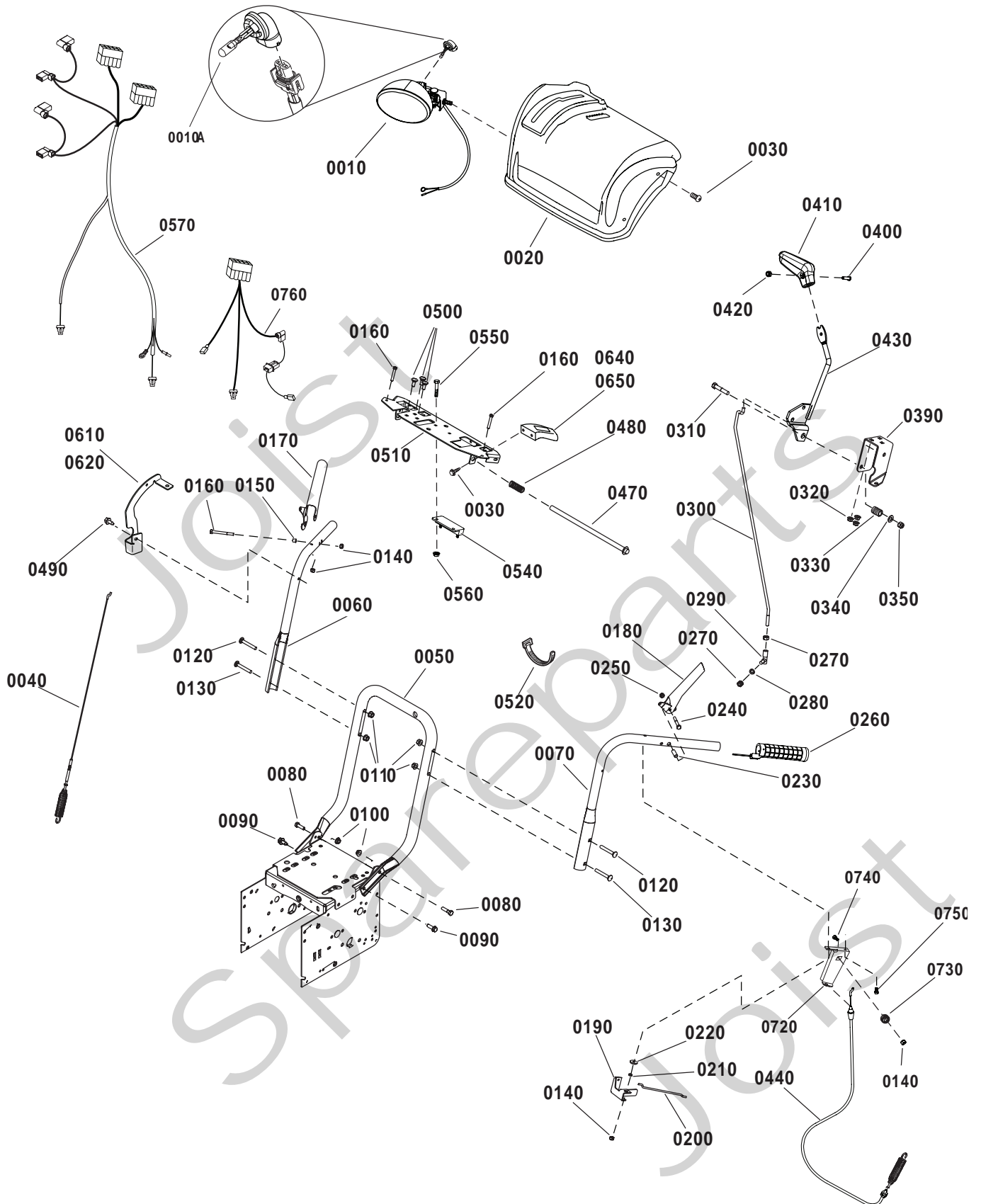
**1171 HST-1381 HST  
Model Year 2010/2011**

- Use GLOBAL GARDEN PRODUCT Genuine Spare Parts specified in the parts list for repair and/or replacement.
- The contents described in the parts list may change due to improvement.
- The drawings of the spare parts are only indicative and might not represent the part in question exactly.
- The indications "right" - "left" - "front" - "rear" refer to the position of the operator when using the machine.
- When placing orders of parts for repair and/or replacement, make sure that the illustrated parts list is the one applying to the machine's year of manufacture, as shown on the identification plate attached to the machine.

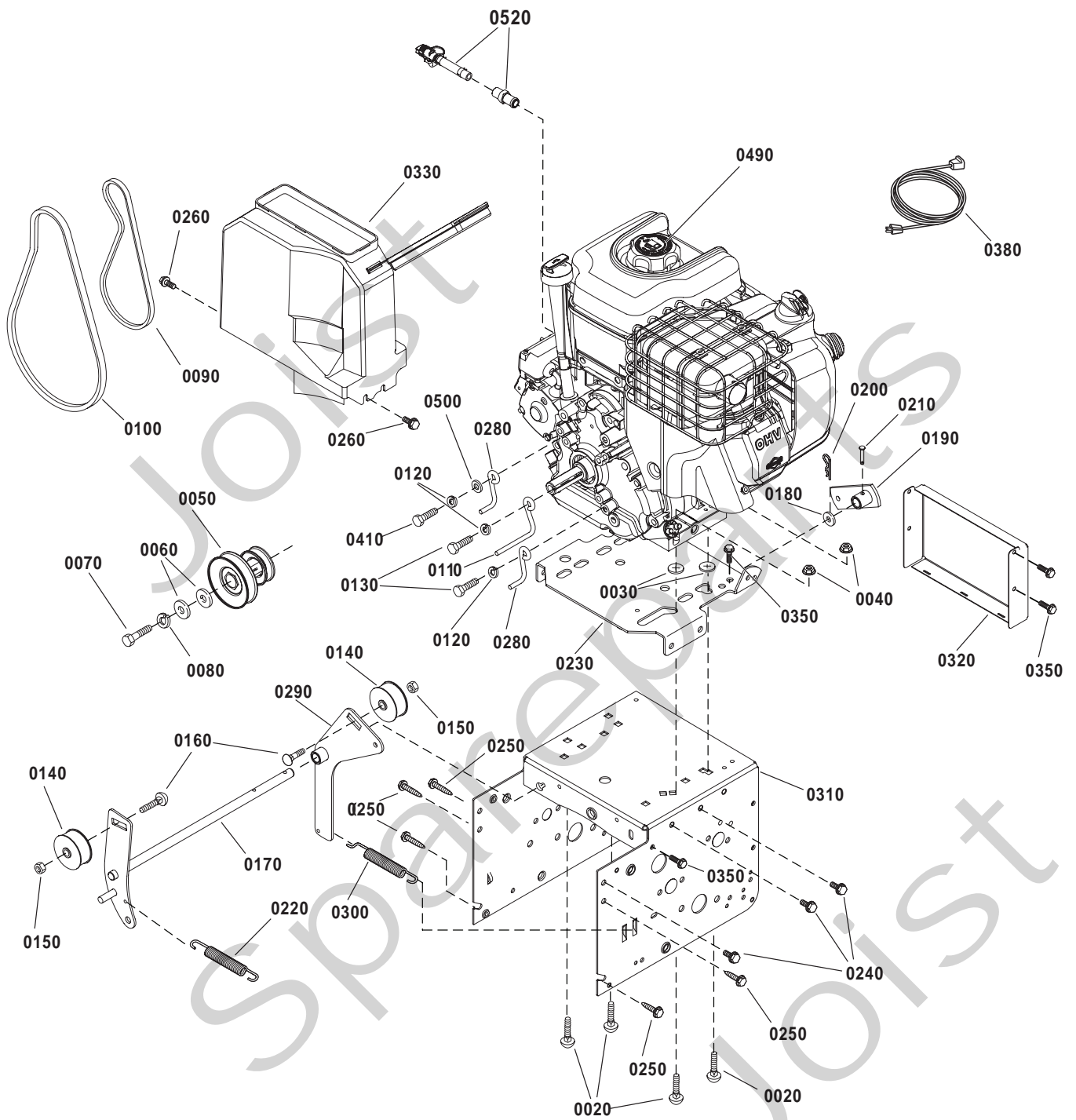
COPYRIGHT by GLOBAL GARDEN PRODUCTS

All rights reserved. No part of this material may be reproduced or transmitted, in any form or by any means, electronic or mechanical, including photocopying, recording or by any information storage and retrieval system, without permission in writing from GLOBAL GARDEN PRODUCTS.

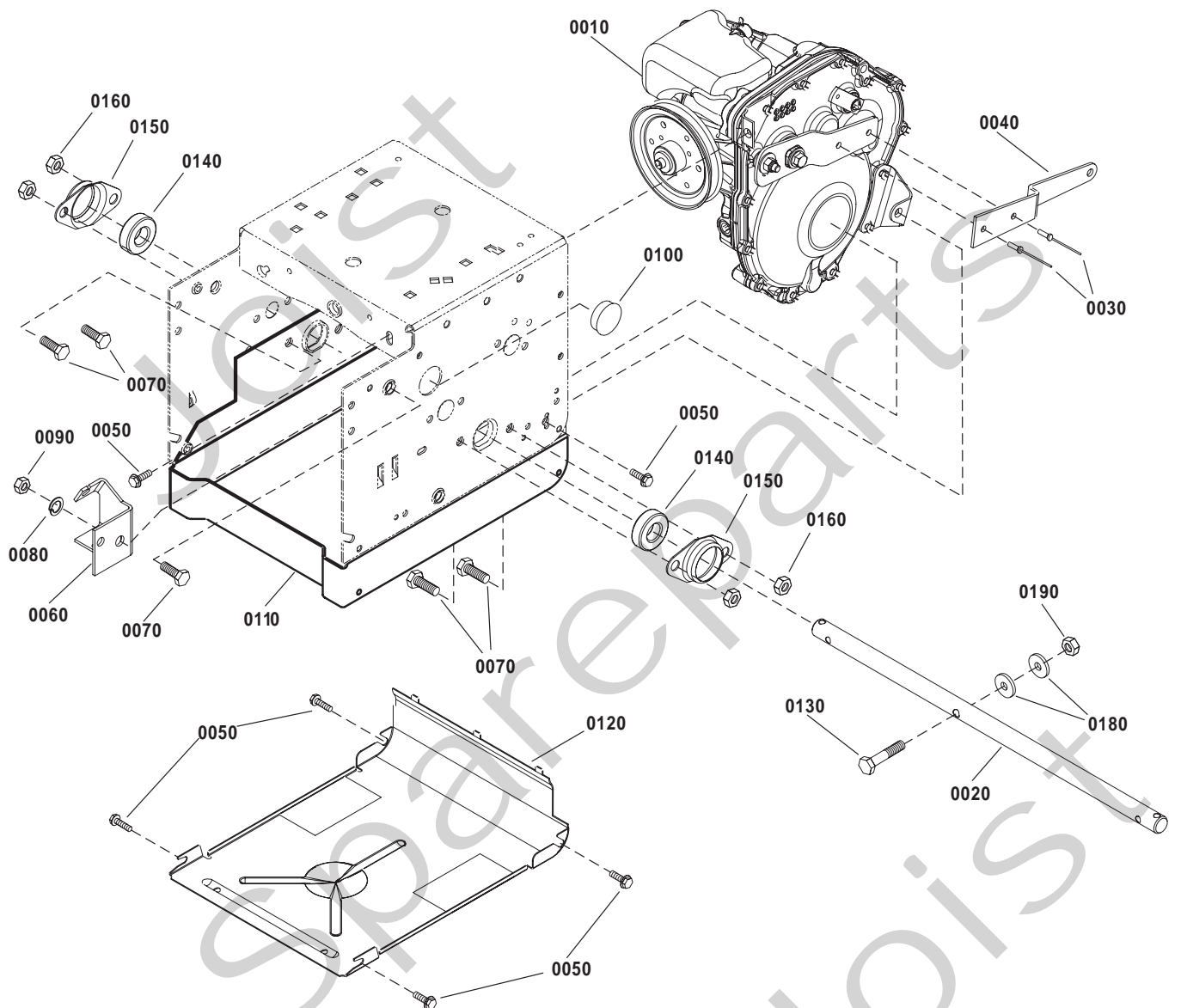
**STIGA®**



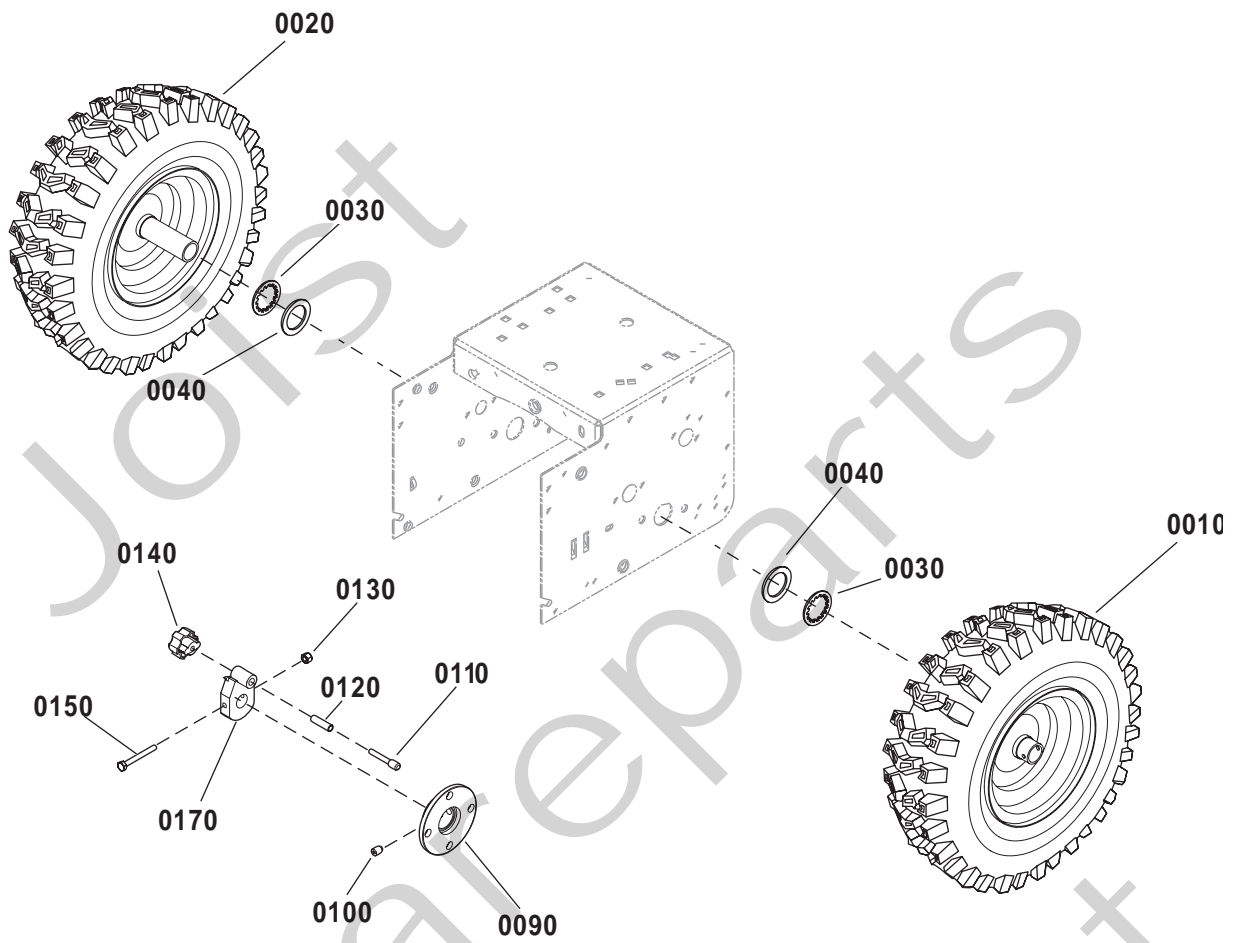
Utgåva Issue 2010-14		Bildnr Picture No 2735A		1171HST- 1381HST STYRE REGLAGE		1171HST- 1381HST HANDLE CONTROLS		Sida Page 84	
Pos. Fig.	Antal/Quantity				Art nr Part No	Benämning	Description	Sats Kit	Anmärkning Notes
	2851 -31	2852 -31							
X	10	1	1		1812-2548-01	Strålkastare kpl.....	Headlight assy.....		12V, 27W
	10A	1	1		1812-1909-01	• Halogenlampa.....	• Halogene bulb .....		
X	20	1	1		1812-2629-01	Panel .....	Panel cover .....		
	30	6	6		1812-2265-01	Skruv .....	Screw .....		
	40	1	1		1812-2183-01	Reglagewire- snöskruv .....	Auger drive cable .....		
	50	1	1		1812-2419-01	Styre- underdel .....	Handle- lower .....		
	60	1	1		1812-2317-01	Styre överdel- hö .....	Handle upper- RH .....		
	70	1	1		1812-2316-01	Styre överdel- vä .....	Handle upper- LH .....		
	80	2	2		9988-3625-16	Skruv .....	Screw .....		
	90	2	2		1812-2141-01	Skruv .....	Screw .....		
	100	2	2		9727-3641-22	Mutter .....	Nut .....		
	110	4	4		9743-3621-32	Mutter .....	Nut .....		
	120	2	2		1812-2479-01	Vagnsbult .....	Carriage bolt .....		
	130	2	2		1812-2476-01	Vagnsbult .....	Carriage bolt .....		
	140	5	5		9743-3521-32	Mutter .....	Nut .....		
	150	2	2		1812-2148-01	Distans .....	Spacer .....		
	160	4	4		9988-3545-12	Skruv .....	Screw .....		
X	170	1	1		1812-2606-01	Koppl.reglage- hö .....	Clutch lever- RH .....		
X	180	1	1		1812-2605-01	Koppl.reglage- vä .....	Clutch lever- LH .....		
	190	1	1		1812-2231-01	Fäste .....	Bracket .....		
	200	1	1		1812-2404-01	Stång .....	Hold down rod .....		
	210	1	1		1812-2206-01	Distans .....	Spacer .....		
	220	1	1		9699-0026-02	Planbricka .....	Flat washer .....		
	230	2	2		1812-2412-01	Distans .....	Stepped spacer .....		
X	240	2	2		1812-2623-01	Ansatsbult .....	Shoulder bolt .....		
	250	2	2		1812-2256-01	Mutter .....	Nut .....		
X	260	2	2		1812-2549-01	Värmehandtag .....	Heated hand grip .....		
	270	2	2		9794-5131-02	Mutter .....	Nut .....		
	280	1	1		9683-0030-02	Låsbricka .....	Lock washer .....		
X	290	1	1		1812-2562-01	Kulled .....	Ball joint .....		
	300	1	1		1812-2311-01	Reglagestång .....	Control rod .....		
	310	1	1		9988-3751-12	Skruv .....	Screw .....		
	320	3	3		9727-3641-22	Mutter .....	Nut .....		
	330	1	1		1812-0304-01	Fjäder .....	Spring .....		
	340	1	1		9699-0029-02	Planbricka .....	Flat washer .....		
	350	1	1		9743-3721-32	Mutter .....	Nut .....		
	390	1	1		1812-2417-01	Fäste .....	Controls brkt .....		
	400	1	1		1812-2481-01	Skruv .....	Screw .....		
	410	1	1		1812-2379-01	Knopp .....	Knob .....		
	420	2	2		1812-2256-01	Mutter .....	Nut .....		
	430	1	1		1812-2226-01	Spak- HST .....	Hydro control lever .....		
	440	1	1		1812-2227-01	Reglagewire- HST .....	Hydro drive cable .....		
	470	1	1		1812-2233-01	Stång .....	Rod .....		
	480	2	2		1812-2268-01	Tryckfjäder .....	Comp spring .....		
	490	2	2		1812-2250-01	Skruv .....	Screw .....		
	500	3	3		9899-3625-16	Skruv .....	Screw .....		
X	510	1	1		1812-2575-01	Panelfäste .....	Dash support .....		
	520	5	5		1812-2371-01	Buntband .....	Self lock tie .....		
	540	1	1		1812-2165-01	Motstånd .....	Resistor block .....		
	550	1	1		1812-2486-01	Vagnsbult .....	Carriage bolt .....		
	560	1	1		9795-3531-02	Mutter .....	Nut .....		
X	570	1	1		1812-2630-01	Kablage .....	Wiring harness .....		
X	610	1	1		1812-2599-01	Fäste- hö .....	Mounting brkt- RH .....		
X	620	1	1		1812-2600-01	Fäste- vä .....	Mounting brkt- LH .....		
X	640	1	1		1812-2573-01	Brytarfäste- hö .....	Chute rotation pod- RH .....		
X	650	1	1		1812-2574-01	Brytarfäste- vä .....	Defl. control pod- LH .....		
	720	1	1		1812-2218-01	Fäste .....	Bracket .....		
	730	1	1		1812-1205-01	Spole .....	Spool .....		
	740	1	1		9899-3538-16	Skruv .....	Screw .....		
	750	1	1		1812-2166-01	Skruv .....	Screw .....		
X	760	1	1		1812-2631-01	Kablage- handtag .....	Harness- hand grip .....		
X	999	1	1		8218-2222-99	Bruksanvisning .....	Owner's manual .....	Ej ill/not ill.	



Utgåva Issue 2010-14		Bildnr Picture No 2736A		1171HST- 1381HST RAM MOTOR		1171HST- 1381HST FRAME ENGINE		Sida Page 86	
Pos. Fig.	Antal/Quantity			Art nr Part No	Benämning	Description	Sats Kit	Anmärkning Notes	
	2851 -31	2852 -31							
	20	4	4	1812-1678-01	Vagnsbult .....	Carriage bolt .....			
	30	4	4	1812-1681-01	Hållare .....	Retainer .....			
	40	4	4	9743-3621-32	Mutter .....	Nut .....			
	50	1	1	1812-1719-01	Motorremskiva .....	Engine pulley.....			
	60	2	2	9699-0029-02	Planbricka.....	Flat washer.....			
	70	1	1	9987-5232-16	Bult .....	Bolt .....			
	80	1	1	9683-0035-02	Låsbricka .....	Lock washer.....			
	90	1	1	1812-2219-01	Kilrem- drivning .....	Belt-traction drive.....			
	100	1	1	1812-2409-01	Kilrem- snöskruv .....	Belt-auger.....			
	110	1	1	1812-2443-01	Remstyrning .....	Belt guide.....			
	120	3	3	9683-0030-02	Låsbricka .....	Lock washer.....			
	130	3	3	9987-5119-16	Skruv .....	Screw.....			
	140	2	2	1812-2077-01	Spännrulle .....	Tension roller .....			
	150	2	2	9743-3721-32	Mutter .....	Nut .....			
	160	2	2	9899-3732-16	Skruv .....	Screw.....			
	170	1	1	1812-1747-01	Spännarm .....	Idler .....			
	180	1	1	9699-0038-02	Planbricka.....	Flat washer.....			
	190	1	1	1812-2308-01	Reglagearm .....	Control arm.....			
	200	1	1	1812-1511-01	Låsstift.....	Hair pin .....			
	210	1	1	1812-2407-01	Sprint.....	Clevis pin .....			
	220	1	1	1812-1676-01	Fjäder.....	Tension spring .....			
	230	1	1	1812-2234-01	Motorplatta .....	Engine mount plate.....			
	240	4	4	1812-2249-01	Skruv .....	Screw.....			
	250	6	6	1812-2141-01	Skruv .....	Screw.....			
	260	2	2	1812-1680-01	Skruv .....	Screw.....			
	280	2	2	1812-2203-01	Remstyrning.....	Belt stop.....			
	290	1	1	1812-1810-01	Spännarm .....	Idler bracket.....			
	300	1	1	1812-1762-01	Fjäder.....	Clutch spring.....			
	310	1	1	1812-2454-01	Motorchassi.....	Frame box .....			
	320	1	1	1812-2455-01	Bakre plåt .....	Back panel.....			
	330	1	1	1812-2184-01	Remskydd .....	Belt cover .....			
X	330	1	1	1812-2611-01	Remskydd .....	Belt cover .....			
	350	8	8	1812-2250-01	Skruv .....	Screw.....			
	380	1	1	1812-1615-01	Förlängningssladd .....	Extension cord .....			
	410	1	1	9987-5125-16	Skruv .....	Screw.....			
	490	1	1	1812-2362-01	Tanklock .....	Gas cap .....			
X	500	1	1	1812-2657-01	Bricka .....	Flat washer.....			
X	520	1	1	1812-2496-01	Slang- oljeavtappning .....	Oil drain hose assy.....			

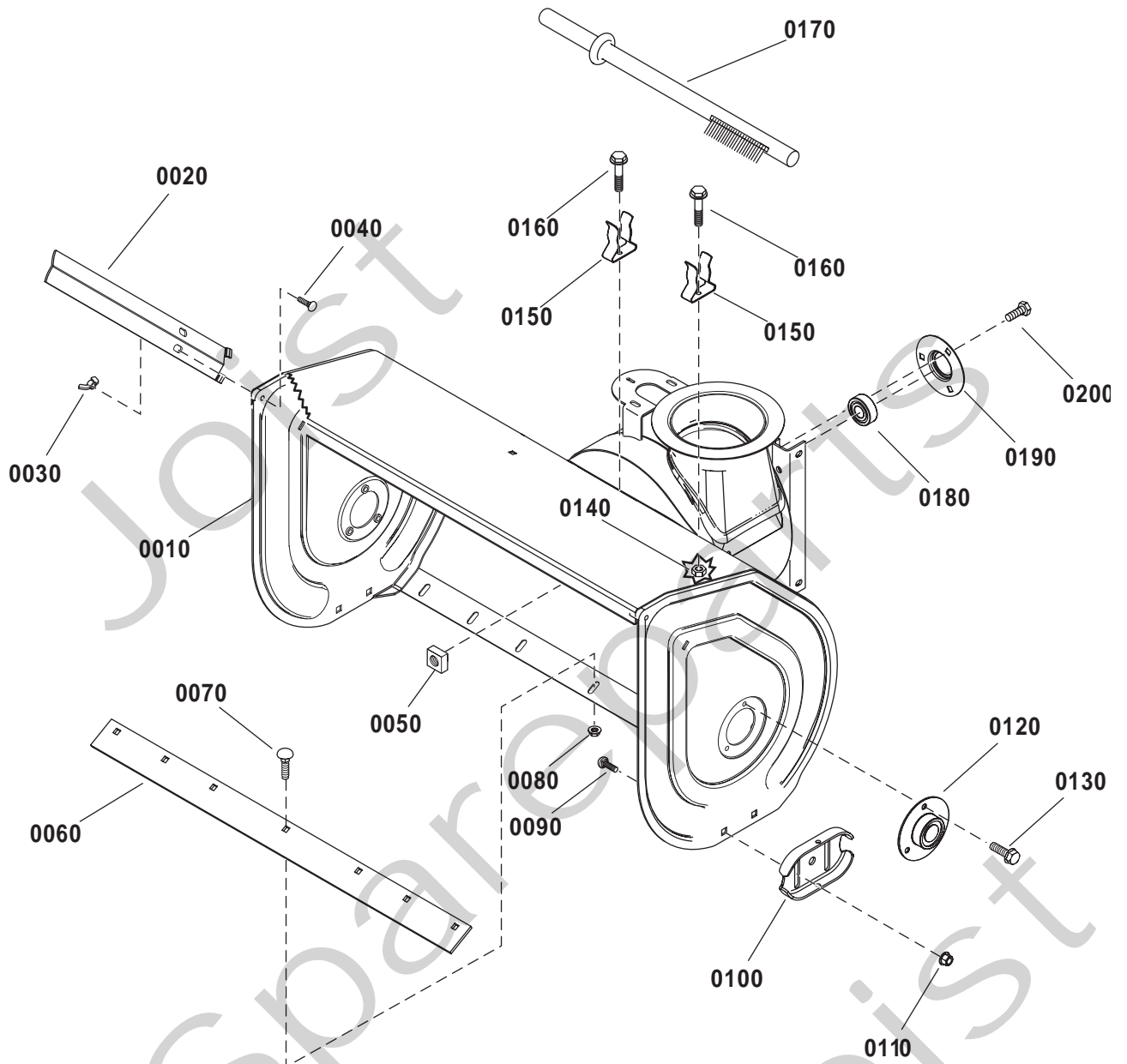


Utgåva Issue		Bildnr Picture No		1171HST- 1381HST DRIVNING		1171HST- 1381HST TRACTION DRIVE		Sida Page	
2010- 14		2737						88	
Pos. Fig.	Antal/Quantity			Art nr Part No	Benämning	Description	Sats Kit	Anmärkning Notes	
	2851 -31	2852 -31							
10	1	1		1812-2366-01	Transmission kpl .....	Transmission assy .....		Hydro Gear 314-0410	
20	1	1		1812-2368-01	Axel .....	Axle .....			
30	2	2		1812-2260-01	Popnit .....	Pop rivet .....			
40	1	1		1812-1806-01	Reglagearm .....	Control extension arm .....			
50	6	6		1812-2250-01	Skruv .....	Screw .....			
60	1	1		1812-1803-01	Fäste .....	Drive cable bracket .....			
70	5	5		9988-3719-16	Skruv .....	Screw .....			
80	1	1		9683-0035-02	Låsbricka .....	Lock washer .....			
90	1	1		9743-3721-32	Mutter .....	Nut .....			
100	1	1		1812-1825-01	Plugg .....	Plug .....			
110	1	1		1812-2456-01	Ram .....	Frame .....			
120	1	1		1812-2450-01	Bottenplåt .....	Bottom panel .....			
130	1	1		1812-1755-01	Skruv .....	Screw .....			
140	2	2		1812-1920-01	Kullager .....	Ball bearing .....			
150	2	2		1812-1919-01	Lagerhållare .....	Bearing retainer .....			
160	4	4		9743-3721-32	Mutter .....	Nut .....			
180	1	1		1812-2248-01	Bricka .....	Washer .....			
190	1	1		9743-3621-32	Mutter .....	Nut .....			

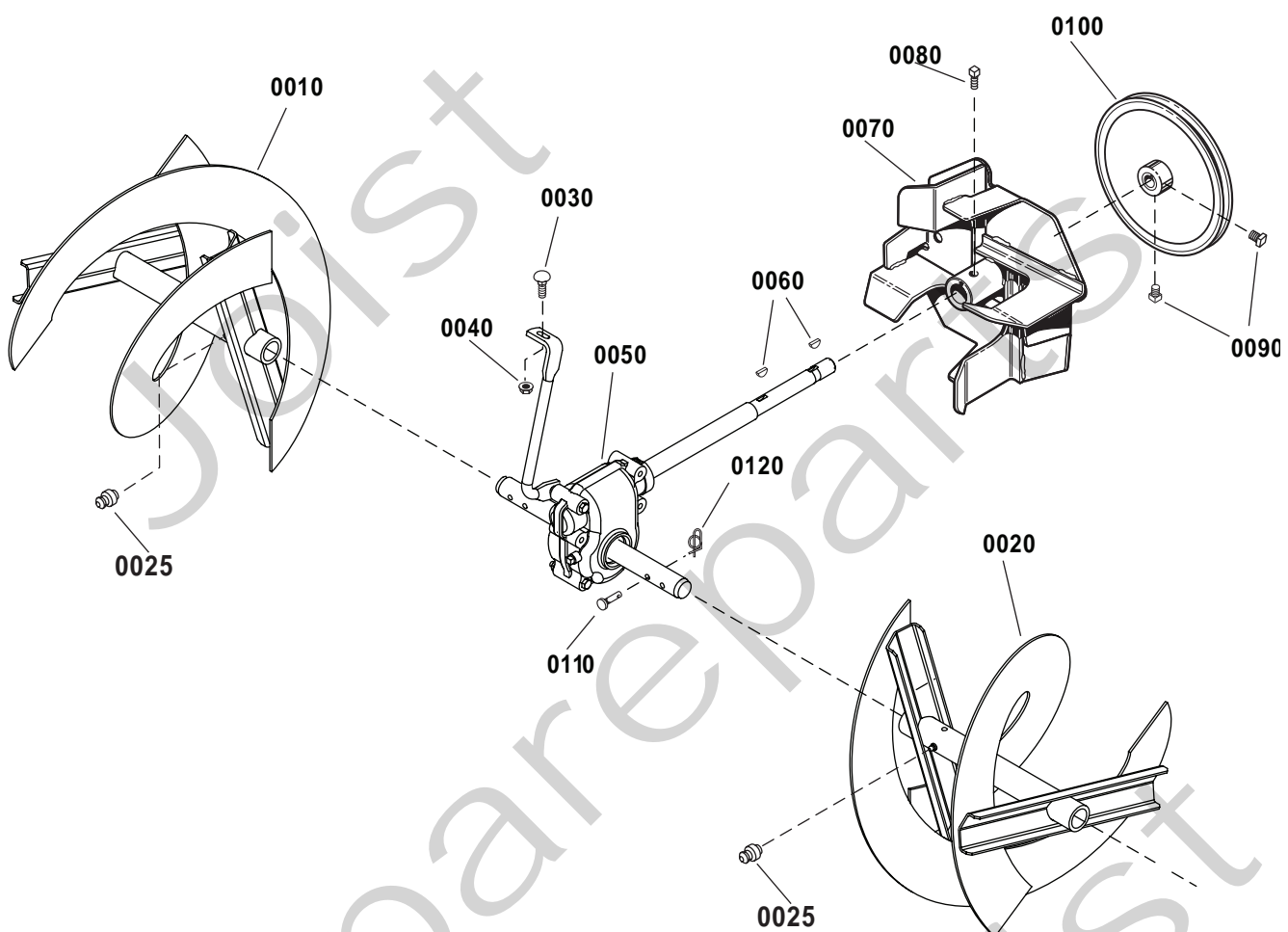




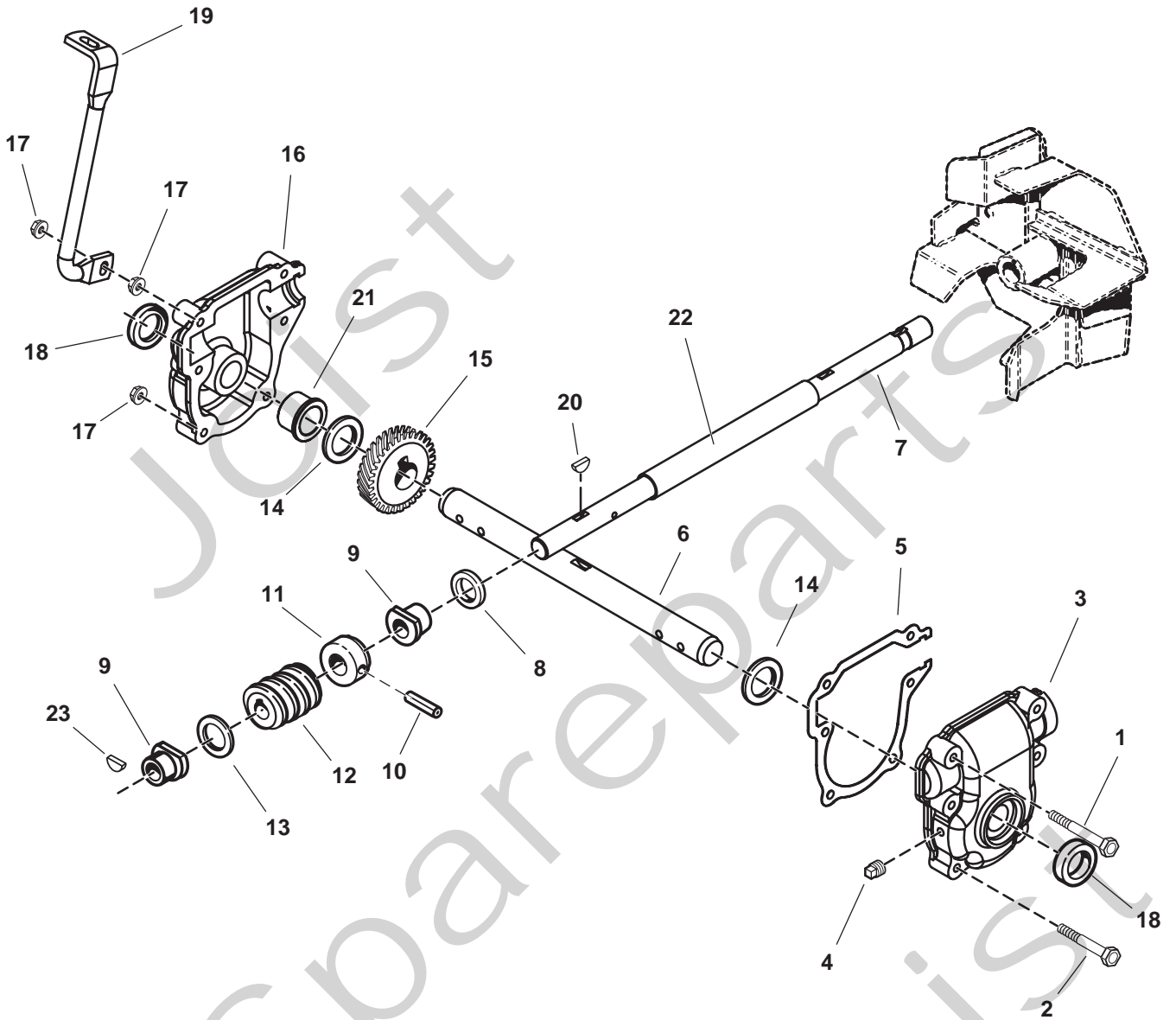
Utgåva Issue		Bildnr Picture No		1171HST- 1381HST HJUL		1171HST- 1381HST WHEELS		Sida Page	
2010- 14		2738A						90	
Pos. Fig.	Antal/Quantity			Art nr Part No	Benämning	Description	Sats Kit	Anmärkning Notes	
	2851 -31	2852 -31							
10	1	1		1812-2201-01	Hjul kpl- vä.....	Wheel assy- LH .....		16 x 6.50- 8	
20	1	1		1812-2202-01	Hjul kpl- hö .....	Wheel assy- RH .....		16 x 6.50- 8	
30	2	2		1812-2139-01	Låsring .....	Retaining ring .....			
40	2	2		1812-0407-01	Bricka .....	Washer.....			
90	2	2		1812-1606-01	Hjultallrik .....	Wheel disc .....			
100	4	4		1812-1827-01	Skruv .....	Screw .....			
110	2	2		1812-1959-01	• Låssprint.....	• Lock pin .....			
120	2	2		1812-1589-01	• Fjäder.....	• Compression spring.....			
130	2	2		9743-3521-32	Mutter.....	Nut .....			
140	2	2		1812-1958-01	• Knopp.....	• Knob .....			
150	2	2		1812-1756-01	Skruv .....	Screw .....			
170	2	2		1812-2121-01	• Nav .....	• Wheel lock hub .....			
999	2	2		1812-1982-01	Hjullåsnav kpl .....	Wheel lock hub kit.....		Inkl. 110,120,140,170	



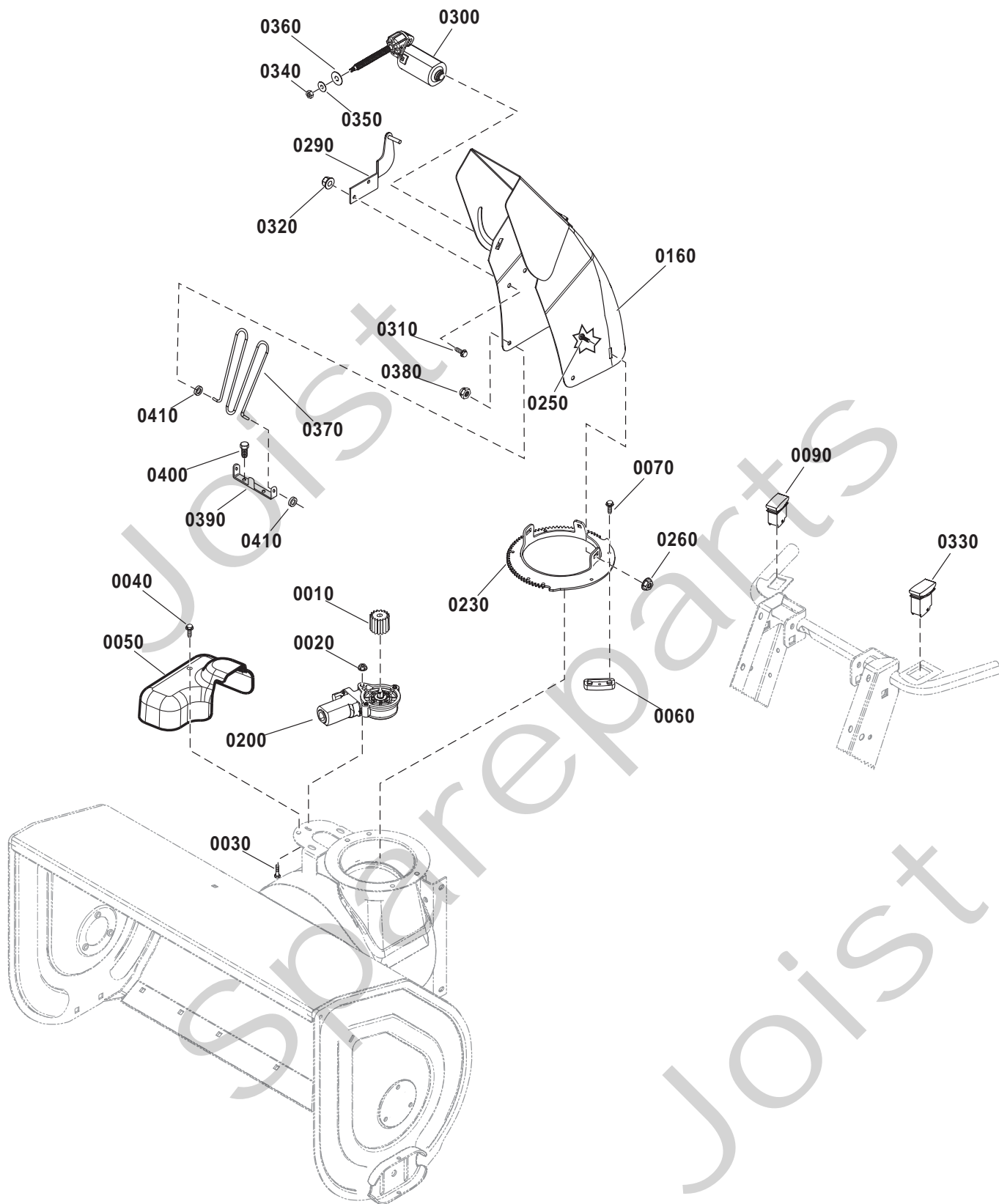
Utgåva Issue		Bildnr Picture No		1171HST- 1381HST INMATNINGSHUS		1171HST- 1381HST AUGER HOUSING		Sida Page	
2010- 14		2739						92	
Pos. Fig.	Antal/Quantity			Art nr Part No	Benämning	Description	Sats Kit	Anmärkning Notes	
	2851 -31	2852 -31							
X 10		1		1812-2444-01	Inmatningshus.....	Auger housing.....		32" (81 cm)	
10	1			1812-2550-01	Inmatningshus.....	Auger housing.....		28" (71 cm)	
20	2	2		1812-2378-01	Drivskär .....	Drift cutter.....			
30	2	2		1812-2359-01	Vingmutter.....	Wing nut .....			
40	2	2		9899-3622-16	Skruv .....	Screw .....			
50	3	3		1812-2253-01	Mutter.....	Nut .....			
60	1			1812-2153-01	Skrapskär .....	Scraper blade .....			
60		1		1812-2154-01	Skrapskär .....	Scraper blade .....			
70	5	5		1812-2264-01	Vagnsbult .....	Carriage bolt .....			
80	5	5		9727-3641-22	Mutter.....	Nut .....			
90	4	4		9899-3725-16	Skruv .....	Screw .....			
100	2	2		1812-2167-01	Släpsko.....	Skid shoe .....			
110	4	4		1132-0695-01	Mutter.....	Nut .....			
120	2	2		1812-2318-01	Kullager .....	Ball bearing .....			
130	6	6		1812-2141-01	Skruv .....	Screw .....			
140	2	2		1812-1912-01	Mutter.....	Nut .....			
150	2	2		1812-2413-01	Klämma .....	Spring clamp.....			
160	2	2		1812-2480-01	Skruv .....	Screw .....			
170	1	1		1812-2400-01	Borste .....	Cleanout brush.....			
180	1	1		1812-2346-01	Lager .....	Greased bearing.....			
190	1	1		1812-2142-01	Lagerhållare.....	Bearing retainer.....			
200	3	3		1812-2267-01	Skruv .....	Screw.....			



Utgåva Issue 2010-14		Bildnr Picture No 2740A		1171HST- 1381HST SNÖSKRUV		1171HST- 1381HST AUGER DRIVE		Sida Page 94	
Pos. Fig.	Antal/Quantity			Art nr Part No	Benämning	Description	Sats Kit	Anmärkning Notes	
	2851 -31	2852 -31							
X 10		1		1812-2324-01	Snöskruv- hö .....	Auger- RH .....			
10	1			1812-2512-01	Snöskruv- hö .....	Auger- RH .....			
X 20		1		1812-2323-01	Snöskruv- vä.....	Auger- LH .....			
X 20	1			1812-2513-01	Snöskruv- vä.....	Auger- LH .....			
X 25	2	2		1812-2646-01	Smörjnippel .....	Lube fitting.....			
30	1	1		9899-3625-16	Skruv .....	Screw .....			
40	1	1		9727-3641-22	Mutter.....	Nut .....			
50	1	1		1812-2175-01	Snäckväxel kpl.....	Gearbox assy .....			
60	2	2		1812-2274-01	Kil .....	Key .....			
70	1	1		1812-2137-01	Fläkt.....	Impeller.....			
80	1	1		1812-2262-01	Skruv .....	Screw .....			
90	2	2		1812-2251-01	Skruv .....	Screw .....			
100	1	1		1812-2174-01	Remskiva.....	Pulley.....			
110	1	1		1812-9029-01	Brytbultsats .....	Shear bolt kit.....		Sats 2 st/kit of 2	
120	2	2		1812-2281-01	• Låsnål .....	• Cotter pin .....			

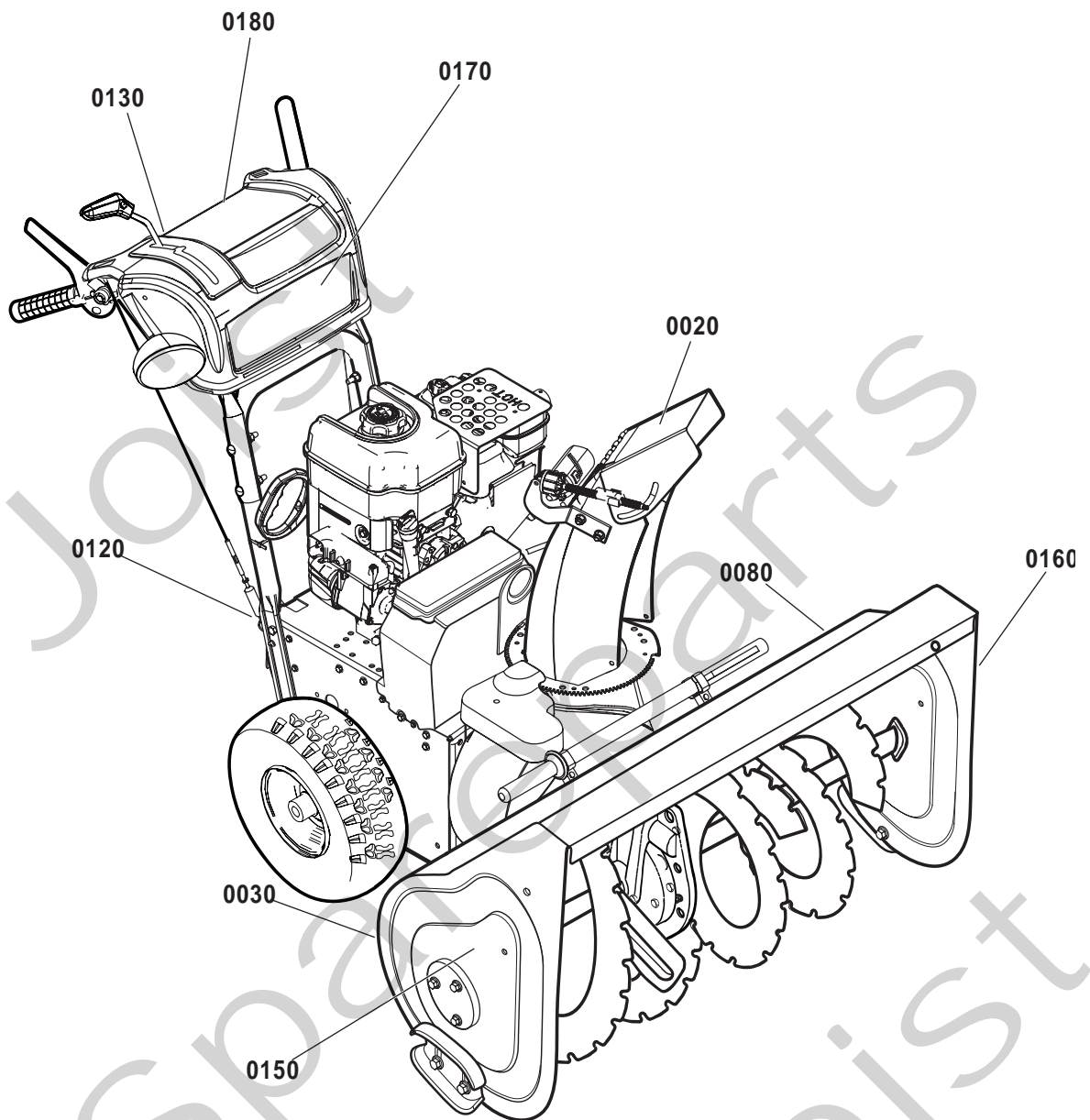


Utgåva Issue 2010-14		Bildnr Picture No 2186		1171HST- 1381HST SNÄCKVÄXEL		1171HST- 1381HST GEAR CASE		Sida Page 96	
Pos. Fig.	Antal/Quantity			Art nr Part No	Benämning	Description	Sats Kit	Anmärkning Notes	
	2851 -31	2852 -31							
1	1	1		9988-3564-12	Skruv .....	Screw .....		L = 64 mm L = 57 mm	
2	5	5		9988-3557-12	Skruv .....	Screw .....			
3	1	1		1812-2132-01	Växelhus- vä .....	Gear case- LH .....			
4	1	1		1812-2146-01	Plugg .....	Plug .....			
5	1	1		1812-2130-01	Packning .....	Gasket .....			
6	1	1		1812-2181-01	Axel .....	Auger shaft .....			
7	1	1		1812-2173-01	Axel .....	Worm shaft .....			
8	1	1		1812-2128-01	Tätningring .....	Oil seal .....			
9	2	2		1812-2136-01	Flänsbussning .....	Flange bushing .....			
10	1	1		1812-2277-01	Stift .....	Drive lock pin .....			
11	1	1		1812-2131-01	Hylsa .....	Thrust collar .....			
12	1	1		1812-2135-01	Snäckskruv .....	Worm .....			
13	1	1		1812-2271-01	Tryckbricka .....	Thrust washer .....			
14	2	2		1812-2270-01	Tryckbricka .....	Thrust washer .....			
15	1	1		1812-2134-01	Snäckdrev .....	Worm gear .....			
16	1	1		1812-2133-01	Växelhus- hö .....	Gear case- RH .....			
17	7	7		9743-3521-32	Mutter .....	Nut .....			
18	2	2		1812-2269-01	Tätningring .....	Seal .....			
19	1	1		1812-2172-01	Stag .....	Bracket .....			
20	1	1		1812-2274-01	Kil .....	Key .....			
21	2	2		1812-2198-01	Bussning .....	Bushing .....			
22	1	1		1812-2129-01	Rör .....	Tube .....			
23	1	1		1812-2276-01	Kil .....	Key .....			





Utgåva Issue		Bildnr Picture No		1171HST- 1381HST UTKAST		1171HST- 1381HST DISCHARGE CHUTE		Sida Page	
2010- 14		2741						98	
Pos. Fig.	Antal/Quantity			Art nr Part No	Benämning	Description	Sats Kit	Anmärkning Notes	
	2851 -31	2852 -31							
10	1	1		1812-2375-01	Drev.....	Pinion.....		Ej ill/not ill.	
20	3	3		1812-2482-01	Mutter.....	Nut.....			
30	3	3		1812-2279-01	Skruv.....	Screw.....			
40	1	1		1812-2474-01	Skruv.....	Screw.....			
50	1	1		1812-2415-01	Lock.....	Cover.....			
60	3	3		1812-2280-01	Hållare.....	Retainer.....			
70	6	6		1812-2257-01	Skruv.....	Screw.....			
80	1	1		1812-2371-01	Buntband.....	Self lock tie.....			
90	1	1		1812-2430-01	Brytare.....	Switch, chute rotate.....			
160	1	1		1812-2427-01	Utkast.....	Chute.....			
200	1	1		1812-2374-01	Motor.....	Motor, spout rotator.....			
230	1	1		1812-2422-01	Ringdrev.....	Chute gear.....			
250	3	3		1812-2486-01	Vagnsbult.....	Carriage bolt.....			
260	3	3		9743-3521-32	Mutter.....	Nut.....			
290	1	1		1812-2435-01	Stag.....	Bracket.....			
300	1	1		1812-2421-01	Motor.....	Motor, chute deflect.....			
310	2	2		1812-2265-01	Skruv.....	Screw.....			
320	2	2		9743-3521-32	Mutter.....	Nut.....			
330	1	1		1812-2429-01	Brytare.....	Switch, deflector.....			
340	1	1		1812-2432-01	Mutter (vä- gängad).....	Nut (left hand).....			
350	1	1		1812-2484-01	Bricka.....	Washer.....			
360	1	1		1812-2431-01	Gummibricka.....	Rubber washer.....			
370	1	1		1812-2381-01	Utkastskydd.....	Chute guard.....			
380	2	2		1812-2478-01	Snabbmutter.....	Push nut.....			
390	1	1		1812-2416-01	Fäste.....	Chute guard brkt.....			
400	2	2		1812-2473-01	Skruv.....	Screw.....			
410	2	2		1812-2426-01	Hylsa.....	Grommet.....			



Utgåva Issue 2010-14		Bildnr Picture No 2787		1171HST- 1381HST DEKALER		1171HST- 1381HST LABELS		Sida Page 100	
Pos. Fig.	Antal/Quantity				Art nr Part No	Benämning	Description	Sats Kit	Anmärkning Notes
	2851 -31	2852 -31							
X	1	1			1812-2704-01	Dekalsats .....	Label kit .....		Inkl. pos 20- 180
X	1		1		1812-2705-01	Dekalsats .....	Label kit .....		Inkl. pos 20- 180