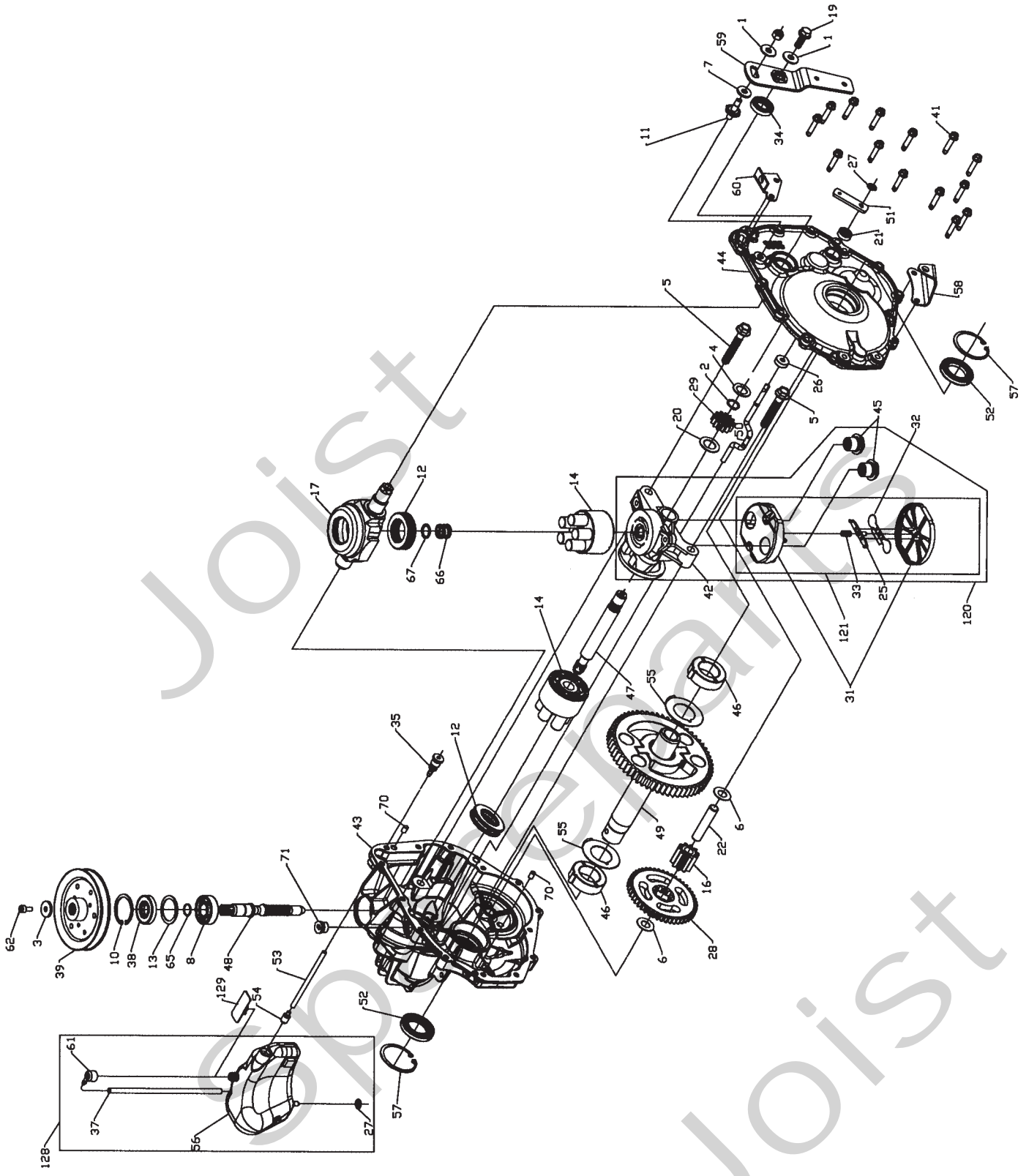


Genuine Spare Parts



Joist
Spareparts
Joist



Utgåva Issue		Bildnr Picture No		HYDRO- GEAR TRANSMISSION 314- 0410		HYDRO- GEAR TRANSMISSION 314- 0410		Sida Page	
2005- 14		1541						128	
Pos. Fig.	Antal/Quantity			Art nr Part No	Benämning	Description	Sats Kit	Anmärkning Notes	
	314- 0410								
1	2			1139-2011-01	Planbricka.....	Flat washer.....			
2	1			1139-2012-01	Låsring.....	Retaining ring.....			
3	1			1139-2013-01	Bricka.....	Washer.....			
4	1			1139-2014-01	Planbricka.....	Flat washer.....			
5	2			1139-2015-01	Skruv.....	Screw.....			
6	2			1139-2016-01	Bricka.....	Washer.....			
7	1			1139-2017-01	Friktionsbricka.....	Friction puck.....			
8	1			1139-2018-01	Kullager.....	Ball bearing.....			
10	1			1139-2019-01	Låsring.....	Retaining ring.....			
11	1			1139-2020-01	Pinnbult.....	Stud.....			
12	2			1139-2021-01	Trycklager.....	Thrust bearing.....			
13	1			1139-2023-01	Distans.....	Spacer.....			
14	2			1139-2063-01	Cylinderblock.....	Cylinder block.....			
16	1			1139-2024-01	Drev.....	Gear.....	10T		
17	1			1139-2025-01	Stänkplatta.....	Swash plate.....			
19	1			1139-2026-01	Bult.....	Bolt.....			
20	1			1139-2027-01	Bricka.....	Washer.....			
21	1			1139-2028-01	• Tätningsring.....	• Lip seal.....			
22	1			1139-2029-01	Axel.....	Pin.....			
25	1			1139-2030-01	• By- pass aktiverare.....	• By- pass actuator.....			
26	1			1139-2031-01	Magnet.....	Ring magnet.....			
27	2			1139-2032-01	• Låsring.....	• Retaining ring.....			
28	1			1139-2033-01	Drev.....	Gear.....	10T/48T		
29	1			1139-2034-01	Drev.....	Pinion gear.....	13T		
32	1			1139-2035-01	• Deflektor.....	• Deflector.....			
33	1			1139-2036-01	• By- pass fjäder.....	• By- pass spring.....			
34	1			1139-2037-01	• Tätningsring.....	• Lip seal.....			
35	1			1139-2038-01	Nippel.....	Fitting.....			
37	1			1139-2039-01	• Slang.....	• Hose.....			
38	1			1139-2040-01	• Tätningsring.....	• Lip seal.....			
39	1			1139-2041-01	Remskiva.....	Pulley.....			
41	14			1139-2042-01	Skruv.....	Screw.....			
43	1			1139-2065-01	Huvudhus kpl.....	Main housing assy.....			
44	1			1139-2066-01	Sidohus kpl.....	Side housing assy.....			
45	2			1139-2045-01	• Plugg.....	• Check plug.....			
46	2			1139-2047-01	Lager.....	Bearing.....			
47	1			1139-2048-01	Motoraxel.....	Motor shaft.....			
48	1			1139-2049-01	Ingående axel.....	Input shaft.....			
49	1			1139-2050-01	Rör- drev kpl.....	Tube- bull gear assy.....			
50	1			1139-2051-01	By- pass stång.....	By- pass actuator rod.....			
51	1			1139-2052-01	By- pass arm.....	By- pass arm.....			
52	2			1139-2053-01	• Tätningsring.....	• Lip seal.....			
53	1			1139-2054-01	Slang.....	Hose.....			
54	1			1139-2055-01	• Vikt.....	• Weight.....			
55	2			1139-2056-01	Bricka.....	Washer.....			
56	1			1139-2057-01	Expansionskärl.....	Expansion tank.....			
57	2			1139-2058-01	Låsring.....	Retaining ring.....			
58	1			1139-2059-01	Faste.....	Bracket.....			
59	1			1139-2060-01	Reglagearm.....	Control arm.....			
60	1			1139-2061-01	Fäste.....	Bracket.....			
61	1			1139-2062-01	• Lock.....	• Cap.....			
62	1			1139-2046-01	Skruv.....	Screw.....			
65	1			1139-2071-01	Låsring.....	Retaining ring.....			
66	1			1139-2072-01	Tryckfjäder.....	Compression spring.....			
67	1			1139-2073-01	Bricka.....	Washer.....			
70	2			1139-2009-01	Sprint.....	Pin.....			
71	1			1139-2010-01	Plugg.....	Plug.....			
120	1			1139-2064-01	Centrumstycke- filter.....	Center section- filter.....			
121	1			1139-2069-01	Filter kpl.....	Filter assy.....		Pos 25,31- 33,42,45	
128	1			1139-2068-01	Expansionskärl kpl.....	Expansion tank kit.....		Inkl. pos 25, 31- 33	
129	1			1139-2044-01	Transportlock.....	Tank shipping cap.....		Inkl. pos 27,37,54,61	