

# Genuine Spare Parts

www.stiga.com

## Electric Starter kit Model Year 2003/04

includes:

18-1940-13 El.Starter Kit/Elstartsats 230V

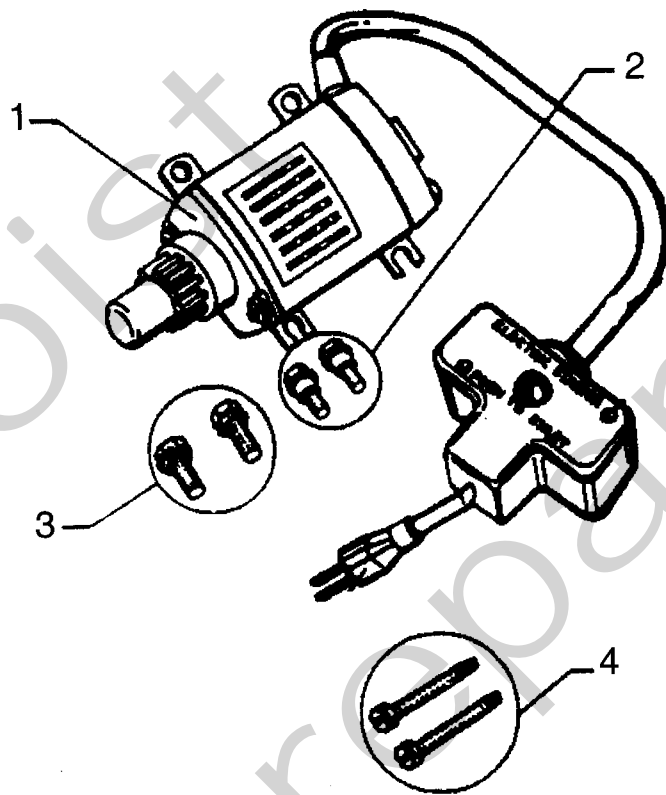
18-1934-13 El.Starter Kit/Elstartsats 230V

- Use GLOBAL GARDEN PRODUCT Genuine Spare Parts specified in the parts list for repair and/or replacement.
- The contents described in the parts list may change due to improvement.
- The drawings of the spare parts are only indicative and might not represent the part in question exactly.
- The indications "right" - "left" - "front" - "rear" refer to the position of the operator when using the machine.
- When placing orders of parts for repair and/or replacement, make sure that the illustrated parts list is the one applying to the machine's year of manufacture, as shown on the identification plate attached to the machine.

COPYRIGHT by GLOBAL GARDEN PRODUCTS

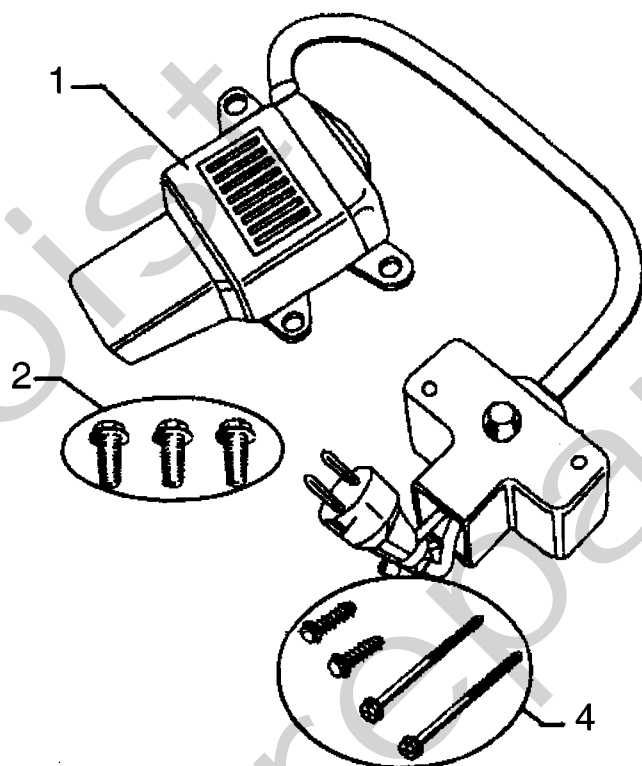
All rights reserved. No part of this material may be reproduced or transmitted, in any form or by any means, electronic or mechanical, including photocopying, recording or by any information storage and retrieval system, without permission in writing from GLOBAL GARDEN PRODUCTS.

**STIGA**®



Utgåva Issue 2003-59		Bildnr Picture No 1639		ELSTARTSATS ART.NR 18-1934-13		EL.STARTER KIT ART.NO 18-1934-13		Sida Page 126	
Pos. Fig.	Antal/Quantity				Art nr Part No	Benämning	Description	Sats Kit	Anmärkning Notes
	1934								
X	1	1			37102	Startmotor kpl .....	Starter motor assy .....		Ej ill/not ill.
	2	2			1812-1845-01	Ansattsskruv .....	Shoulder screw .....		
	3	2			1812-1356-01	Skruv .....	Screw .....		
	4	2			1812-1357-01	Skruv .....	Screw .....		
	5	1			1812-1615-01	Förlängningsladd .....	Extension cord .....		

Joist Spareparts



Utgåva Issue		Bildnr Picture No		ELSTARTSATS ART.NR 18-1940-13		EL.STARTER KIT ART.NO 18-1940-13		Sida Page	
2003-59		1640						128	
Pos. Fig.	Antal/Quantity				Art nr Part No	Benämning	Description	Sats Kit	Anmärkning Notes
	1940								
X	1	1			37217	Startmotor kpl .....	Starter motor assy .....		
	2	3			650759	Skruv .....	Screw .....		
	4	2			650819	Skruv .....	Screw .....		L = 2-1/2"
	4	2			651032	Skruv .....	Screw .....		L = 5/8"