

Genuine Spare Parts

www.stiga.com

1171 HST-1381 HST Model Year 2011/12

includes:

18-2851-32 1171HST

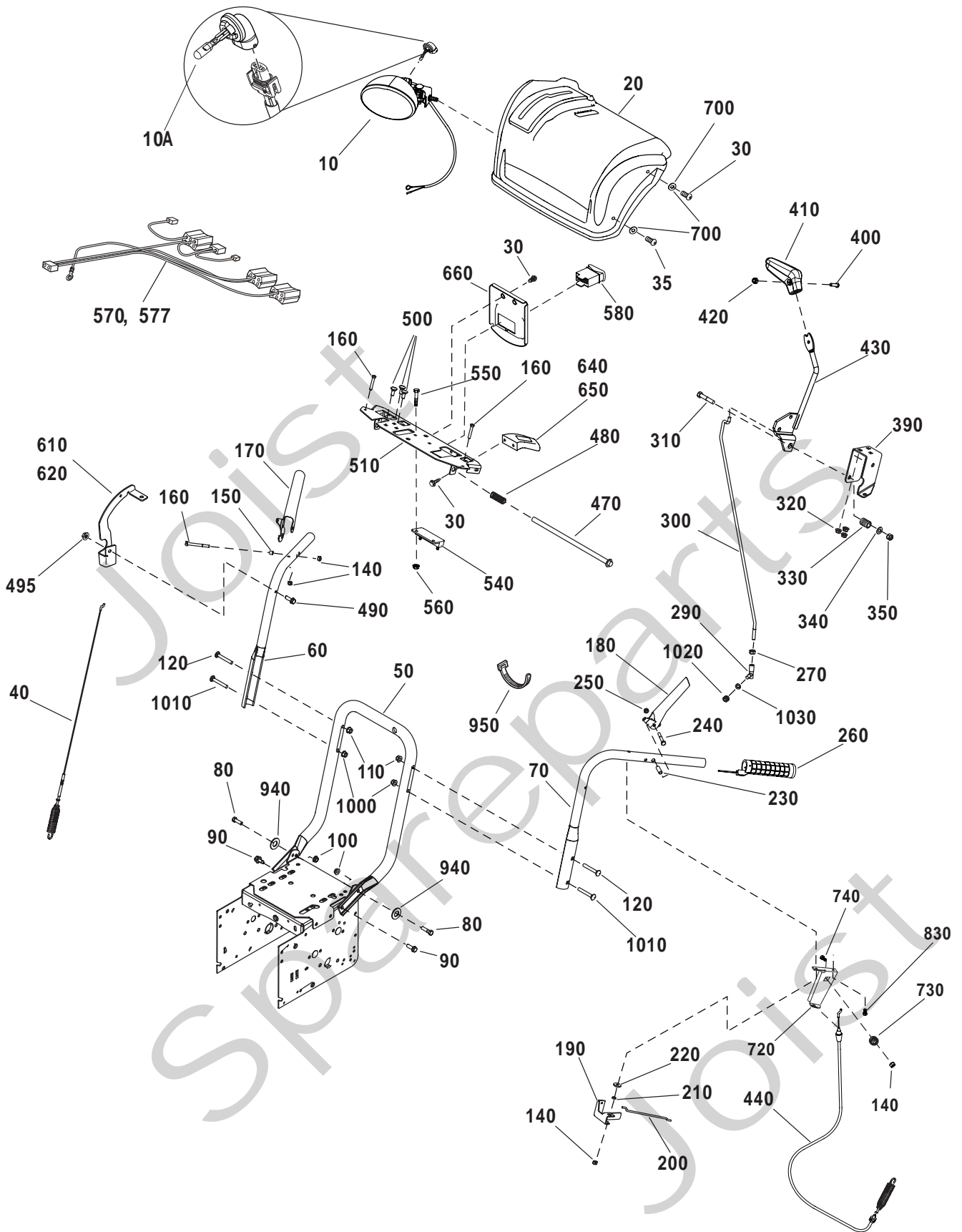
18-2852-32 1381HST

- Use GLOBAL GARDEN PRODUCT Genuine Spare Parts specified in the parts list for repair and/or replacement.
- The contents described in the parts list may change due to improvement.
- The drawings of the spare parts are only indicative and might not represent the part in question exactly.
- The indications "right" - "left" - "front" - "rear" refer to the position of the operator when using the machine.
- When placing orders of parts for repair and/or replacement, make sure that the illustrated parts list is the one applying to the machine's year of manufacture, as shown on the identification plate attached to the machine.

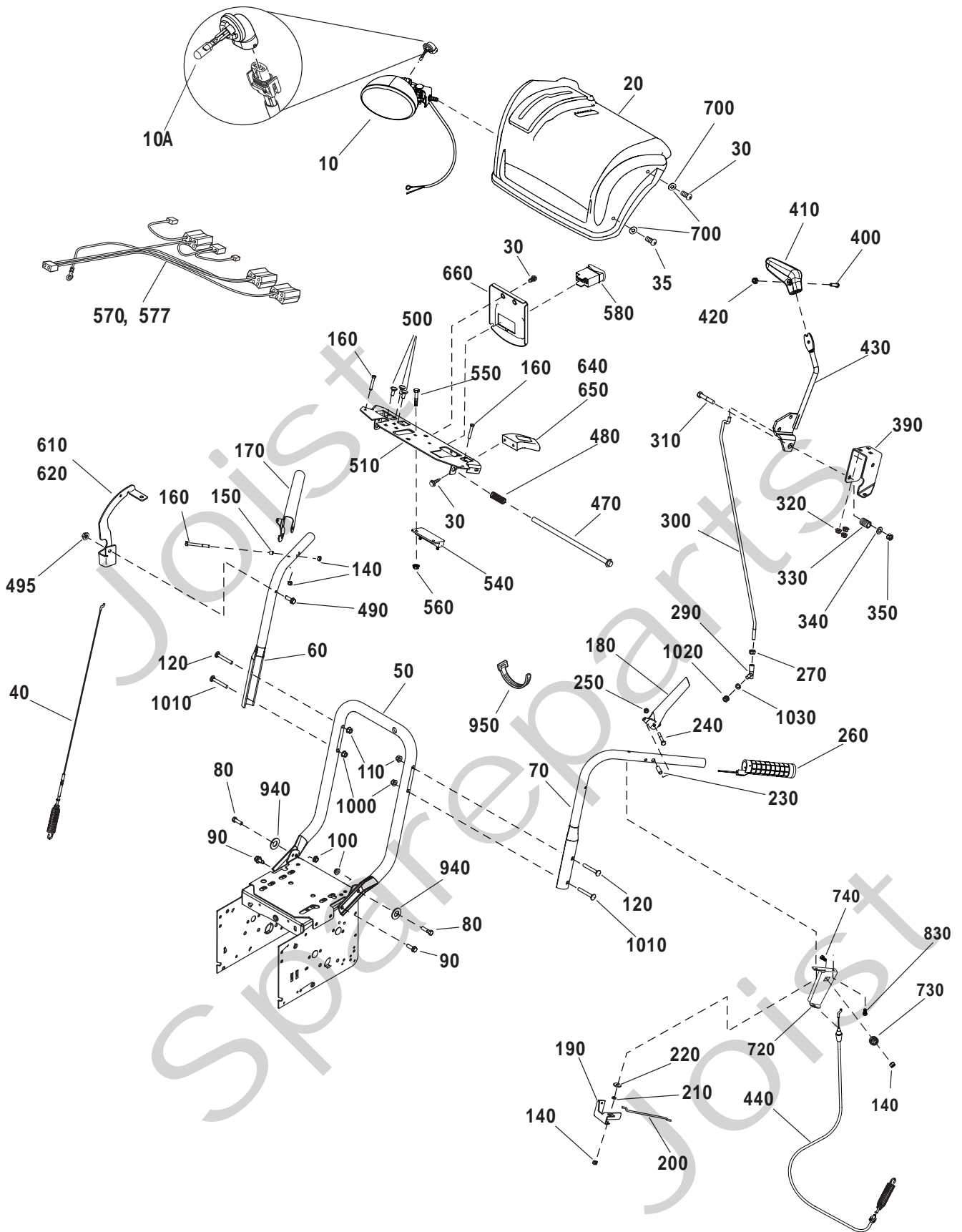
COPYRIGHT by GLOBAL GARDEN PRODUCTS

All rights reserved. No part of this material may be reproduced or transmitted, in any form or by any means, electronic or mechanical, including photocopying, recording or by any information storage and retrieval system, without permission in writing from GLOBAL GARDEN PRODUCTS.

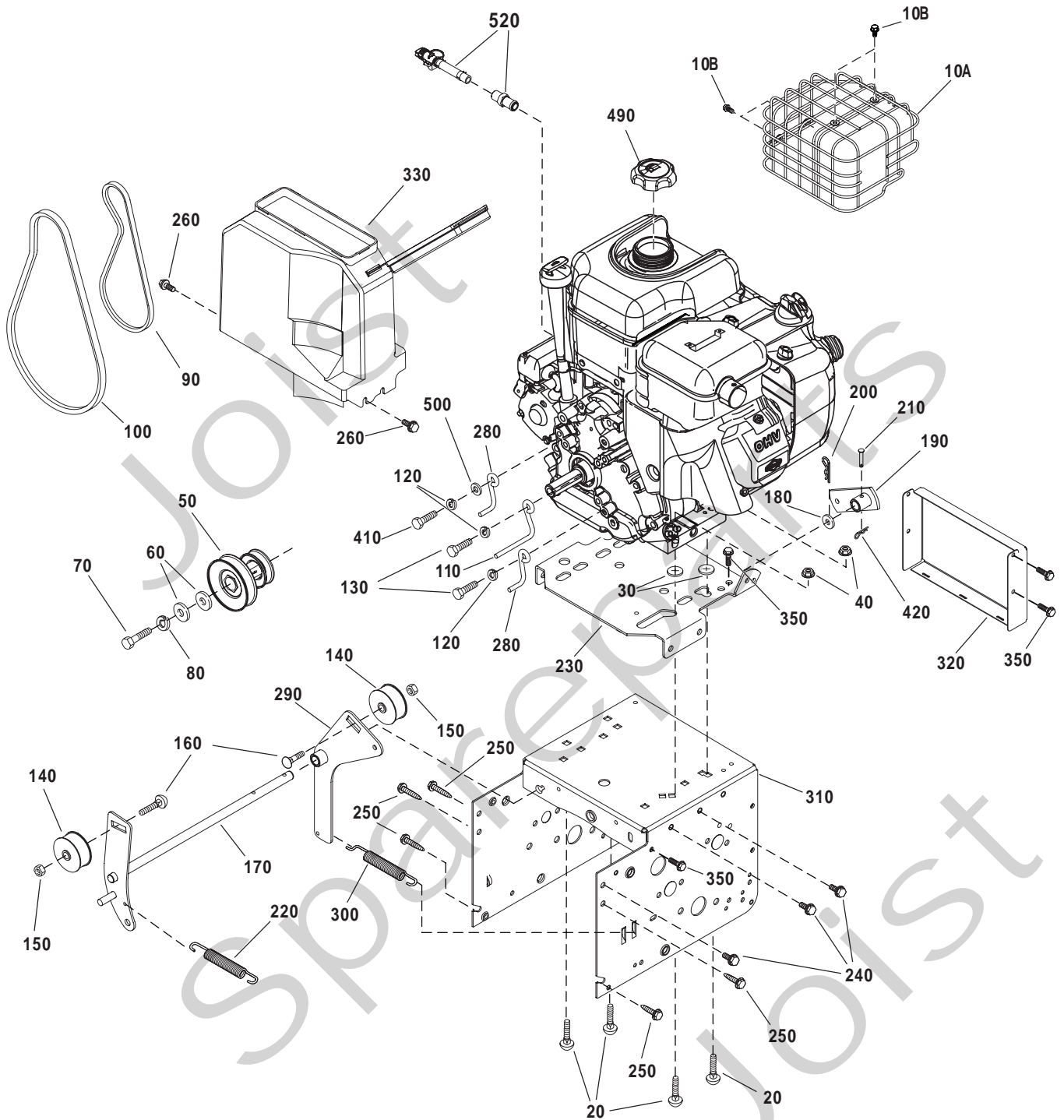
STIGA®



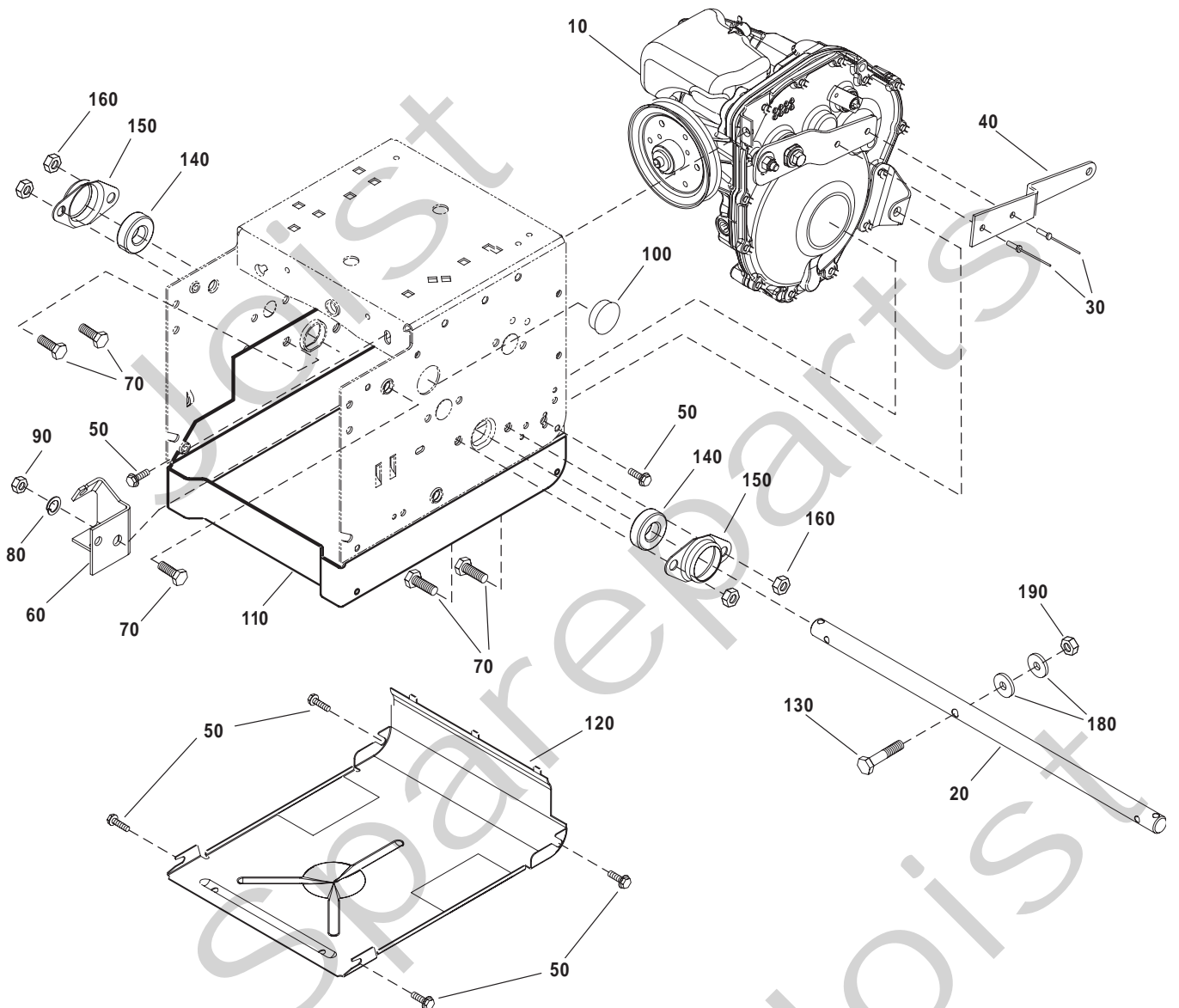
Utgåva Issue		Bildnr Picture No		1171HST- 1381HST STYRE REGLAGE		1171HST- 1381HST HANDLE CONTROLS		Sida Page	
2011- 14		2735B						102	
Pos. Fig.	Antal/Quantity			Art nr Part No	Benämning	Description	Sats Kit	Anmärkning Notes	
	2851 -32	2852 -32							
10	1	1		1812-2548-01	Strålkastare kpl.....	Headlight assy.....		12V, 27W	
10A	1	1		1812-1909-01	• Halogenlampa.....	• Halogene bulb			
20	1	1		1812-2629-01	Panel	Panel cover			
30	6	6		1812-2644-01	Skruv	Screw			
35	1	1		1812-2265-01	Skruv	Screw			
40	1	1		1812-2183-01	Reglagewire- snöskruv	Auger drive cable			
50	1	1		1812-2419-01	Styre- underdel	Handle- lower			
60	1	1		1812-2317-01	Styre överdel- hö	Handle upper- RH.....			
70	1	1		1812-2316-01	Styre överdel- vä	Handle upper- LH			
80	2	2		9988-3625-16	Skruv	Screw			
90	2	2		1812-2141-01	Skruv	Screw			
100	2	2		9727-3641-22	Mutter	Nut			
110	2	2		9743-3621-32	Mutter	Nut			
120	2	2		1812-2479-01	Vagnsbult	Carriage bolt			
140	5	5		9743-3521-32	Mutter	Nut			
150	2	2		1812-2148-01	Distans	Spacer			
160	4	4		9988-3545-12	Skruv	Screw			
170	1	1		1812-2606-01	Koppl.reglage- hö	Clutch lever- RH			
180	1	1		1812-2605-01	Koppl.reglage- vä	Clutch lever- LH			
190	1	1		1812-2231-01	Fäste	Bracket			
200	1	1		1812-2404-01	Stång	Hold down rod			
210	1	1		1812-2206-01	Distans	Spacer			
220	1	1		9699-0026-02	Planbricka.....	Flat washer.....			
230	2	2		1812-2412-01	Distans	Stepped spacer			
240	2	2		1812-2623-01	Ansatsbult	Shoulder bolt			
250	2	2		1812-2256-01	Mutter	Nut			
260	2	2		1812-2549-01	Värmehandtag	Heated hand grip.....			
270	2	2		9794-5131-02	Mutter	Nut			
290	1	1		1812-2562-01	Kulled	Ball joint			
300	1	1		1812-2311-01	Reglagestång.....	Control rod.....			
310	1	1		9988-3751-12	Skruv	Screw			
320	3	3		9727-3641-22	Mutter	Nut			
330	1	1		1812-0304-01	Fjäder.....	Spring			
340	1	1		9699-0029-02	Planbricka.....	Flat washer.....			
350	1	1		9743-3721-32	Mutter	Nut			
390	1	1		1812-2417-01	Fäste	Controls brkt			
400	1	1		1812-2481-01	Skruv	Screw			
410	1	1		1812-2379-01	Knopp	Knob			
420	2	2		1812-2256-01	Mutter	Nut			
430	1	1		1812-2226-01	Spak- HST.....	Hydro control lever			
440	1	1		1812-2227-01	Reglagewire- HST	Hydro drive cable			
X 470	1	1		1812-2718-01	Stång & fjäder	Rod & spring			
480	2	2		1812-2268-01	Tryckfjäder.....	Comp spring			
490	2	2		1812-2250-01	Skruv	Screw			
495	2	2		9743-3521-32	Mutter	Nut			
500	3	3		9899-3625-16	Skruv	Screw			
510	1	1		1812-2575-01	Panelfäste	Dash support			
540	1	1		1812-2165-01	Motstånd	Resistor block			
550	1	1		1812-2486-01	Vagnsbult	Carriage bolt			
560	1	1		9795-3531-02	Mutter	Nut			
570	1	1		1812-2630-01	Kablage.....	Wiring harness.....			
X 577	1	1		1812-2631-01	Kablage- handtag	Harness- hand grip.....			
580	1	1		1812-2714-01	Brytare.....	Switch			
610	1	1		1812-2621-01	Fäste- hö	Mounting brkt- RH			
620	1	1		1812-2620-01	Fäste- vä	Mounting brkt- LH			
640	1	1		1812-2573-01	Brytarfäste- hö	Chute rotation pod- RH			
650	1	1		1812-2574-01	Brytarfäste- vä	Defl. control pod- LH			
X 660	1	1		1812-2715-01	Fäste- brytare.....	Bracket- switch.....			
700	3	3		9699-0026-02	Planbricka.....	Flat washer.....			
720	1	1		1812-2218-01	Fäste	Bracket			
730	1	1		1812-1205-01	Spole	Spool			
740	1	1		9899-3532-12	Skruv	Screw			
830	1	1		1812-2166-01	Skruv	Screw			

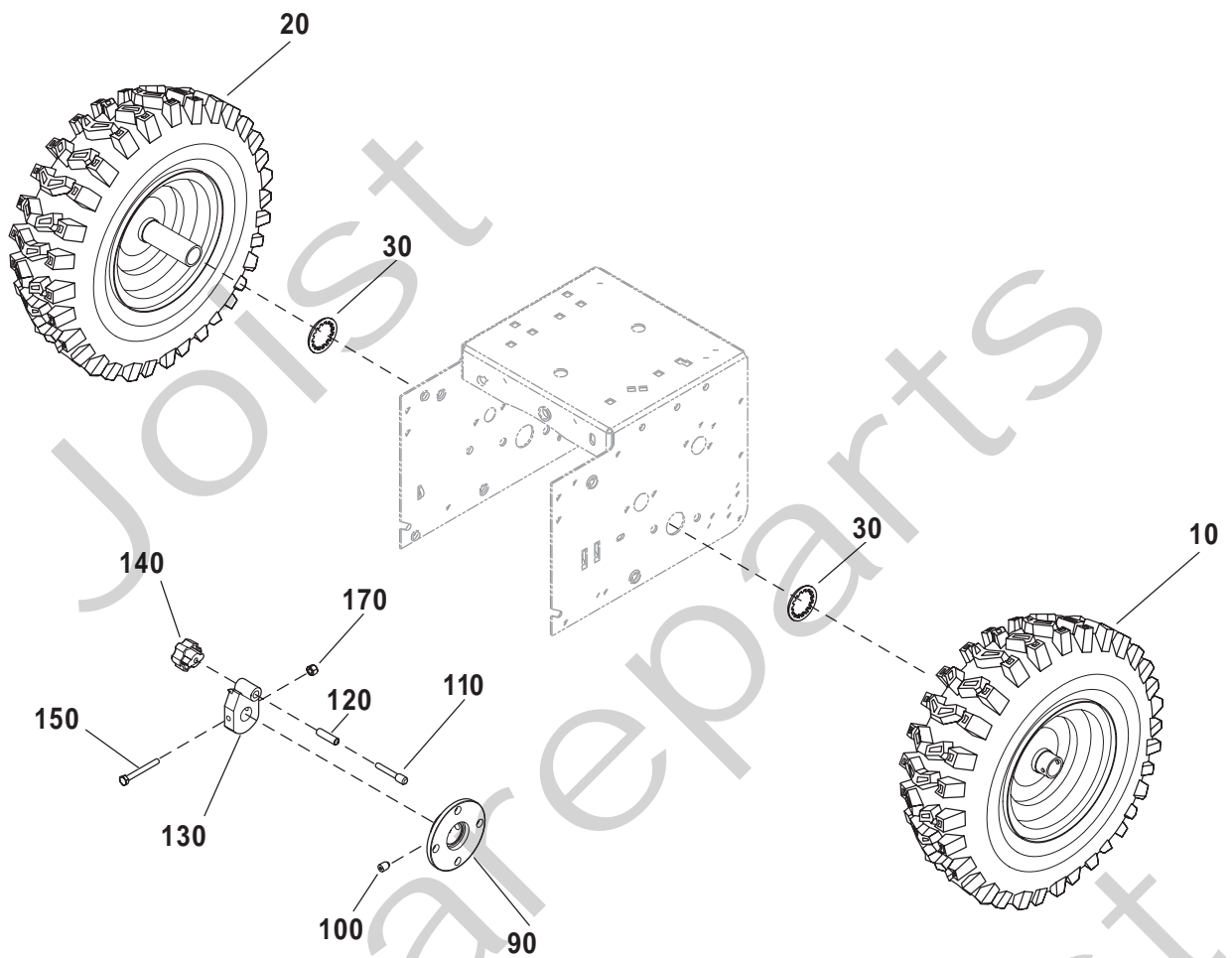


Utgåva Issue 2011-14		Bildnr Picture No 2735B		1171HST- 1381HST STYRE REGLAGE		1171HST- 1381HST HANDLE CONTROLS		Sida Page 104	
Pos. Fig.	Antal/Quantity				Art nr Part No	Benämning	Description	Sats Kit	Anmärkning Notes
	2851 -32	2852 -32							
X 940	2	2			9699-0029-02	Planbricka.....	Flat washer.....		Ej ill/not ill.
950	5	5			1812-2371-01	Buntband.....	Self lock tie.....		
1000	2	2			9743-3621-32	Mutter.....	Nut.....		
1010	2	2			1812-2476-01	Vagnsbult.....	Carriage bolt.....		
1020	1	1			9794-5131-02	Mutter.....	Nut.....		
1030	1	1			9683-0030-02	Låsbricka.....	Lock washer.....		
9999	1	1			8218-2256-20	Bruksanvisning.....	Owner's manual.....		

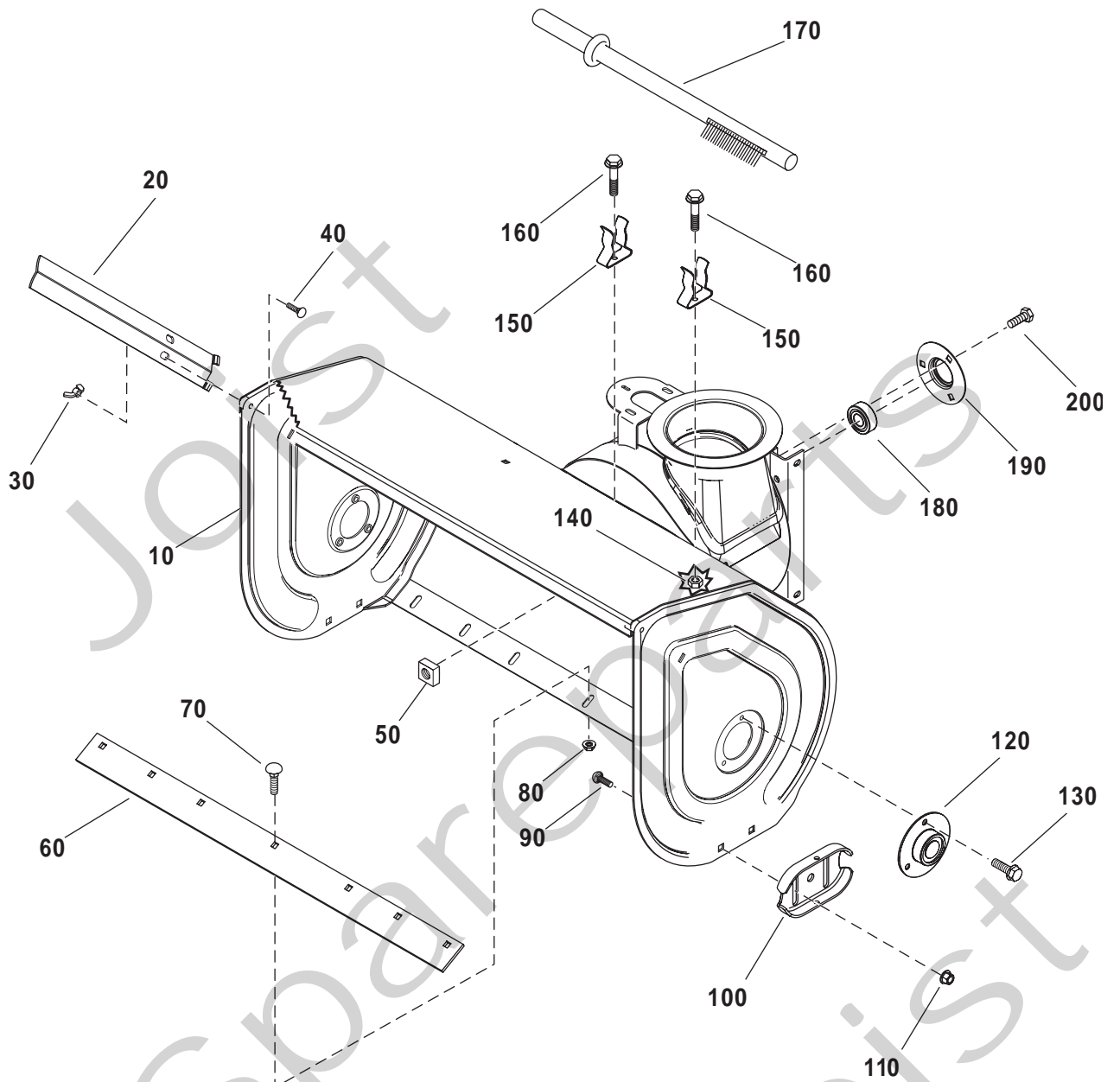


Utgåva Issue		Bildnr Picture No		1171HST- 1381HST RAM MOTOR		1171HST- 1381HST FRAME ENGINE		Sida Page	
2011- 14		2736B						106	
Pos. Fig.	Antal/Quantity			Art nr Part No	Benämning	Description	Sats Kit	Anmärkning Notes	
	2851 -32	2852 -32							
X 10A	1	1		796384	Ljuddämparskydd.....	Muffler guard		B&S- part B&S- part	
10B	4	4		699234	Skruv	Screw			
20	4	4		1812- 1678- 01	Vagnsbult	Carriage bolt			
30	4	4		1812- 1681- 01	Hållare	Retainer			
40	4	4		9743- 3621- 32	Mutter.....	Nut			
50	1	1		1812- 1719- 01	Motorremskiva	Engine pulley.....			
60	2	2		9699- 0029- 02	Planbricka.....	Flat washer.....			
70	1	1		9987- 5232- 16	Bult.....	Bolt			
80	1	1		9683- 0035- 02	Låsbricka	Lock washer			
90	1	1		1812- 2219- 01	Kilrem- drivning.....	Belt- traction drive.....			
100	1	1		1812- 2409- 01	Kilrem- snöskruv	Belt- auger.....			
110	1	1		1812- 2443- 01	Remstyrning.....	Belt guide			
120	3	3		9683- 0030- 02	Låsbricka	Lock washer.....			
130	3	3		9987- 5119- 16	Skruv	Screw			
140	2	2		1812- 2077- 01	Spännrulle	Tension roller			
150	2	2		9743- 3721- 32	Mutter.....	Nut			
160	2	2		9899- 3732- 16	Skruv	Screw			
170	1	1		1812- 1747- 01	Spännarm.....	Idler			
180	1	1		9699- 0038- 02	Planbricka.....	Flat washer.....			
190	1	1		1812- 2308- 01	Reglagearm	Control arm			
200	1	1		1812- 2490- 01	Låsnål.....	Hair pin			
210	1	1		1812- 2407- 01	Sprint.....	Clevis pin			
220	1	1		1812- 1676- 01	Fjäder.....	Tension spring			
230	1	1		1812- 2234- 01	Motorplatta.....	Engine mount plate			
240	4	4		1812- 2249- 01	Skruv.....	Screw			
250	6	6		1812- 2141- 01	Skruv.....	Screw			
260	2	2		1812- 1680- 01	Skruv.....	Screw			
280	2	2		1812- 2203- 01	Remstyrning.....	Belt stop			
290	1	1		1812- 1810- 01	Spännarm.....	Idler bracket.....			
300	1	1		1812- 1762- 01	Fjäder.....	Clutch spring.....			
310	1	1		1812- 2454- 01	Motorchassi.....	Frame box			
320	1	1		1812- 2455- 01	Bakre plåt	Back panel.....			
330	1	1		1812- 2184- 01	Remskydd	Belt cover			
350	8	8		1812- 2250- 01	Skruv.....	Screw			
410	1	1		9987- 5125- 16	Skruv.....	Screw			
420	1	1		1812- 2281- 01	Låsnål.....	Cotter pin			
490	1	1		1812- 2362- 01	Tanklock	Gas cap			
500	1	1		1812- 2657- 01	Bricka	Flat washer.....			
520	1	1		1812- 2496- 01	Slang- oljeavtappning	Oil drain hose assy.....			

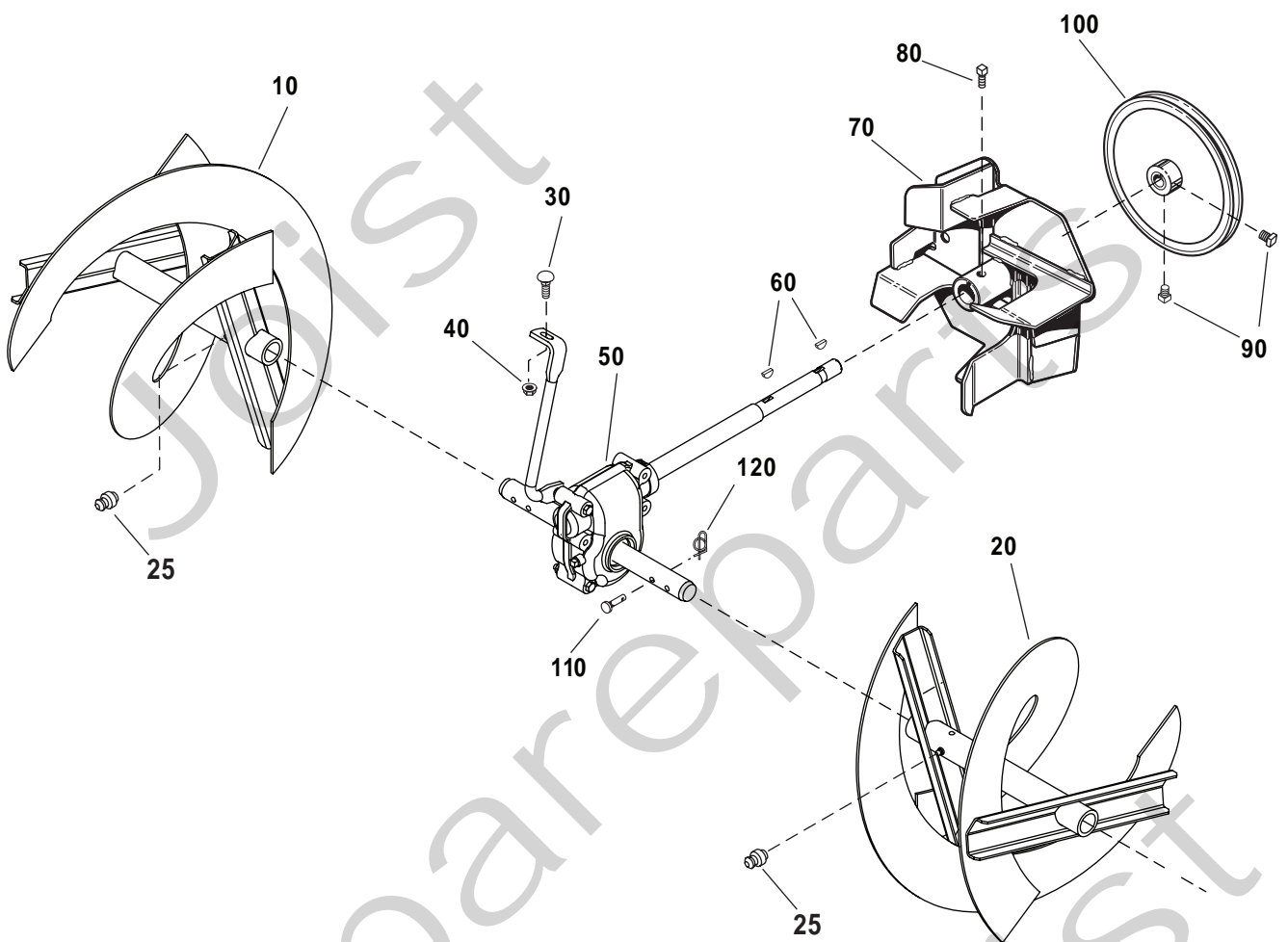




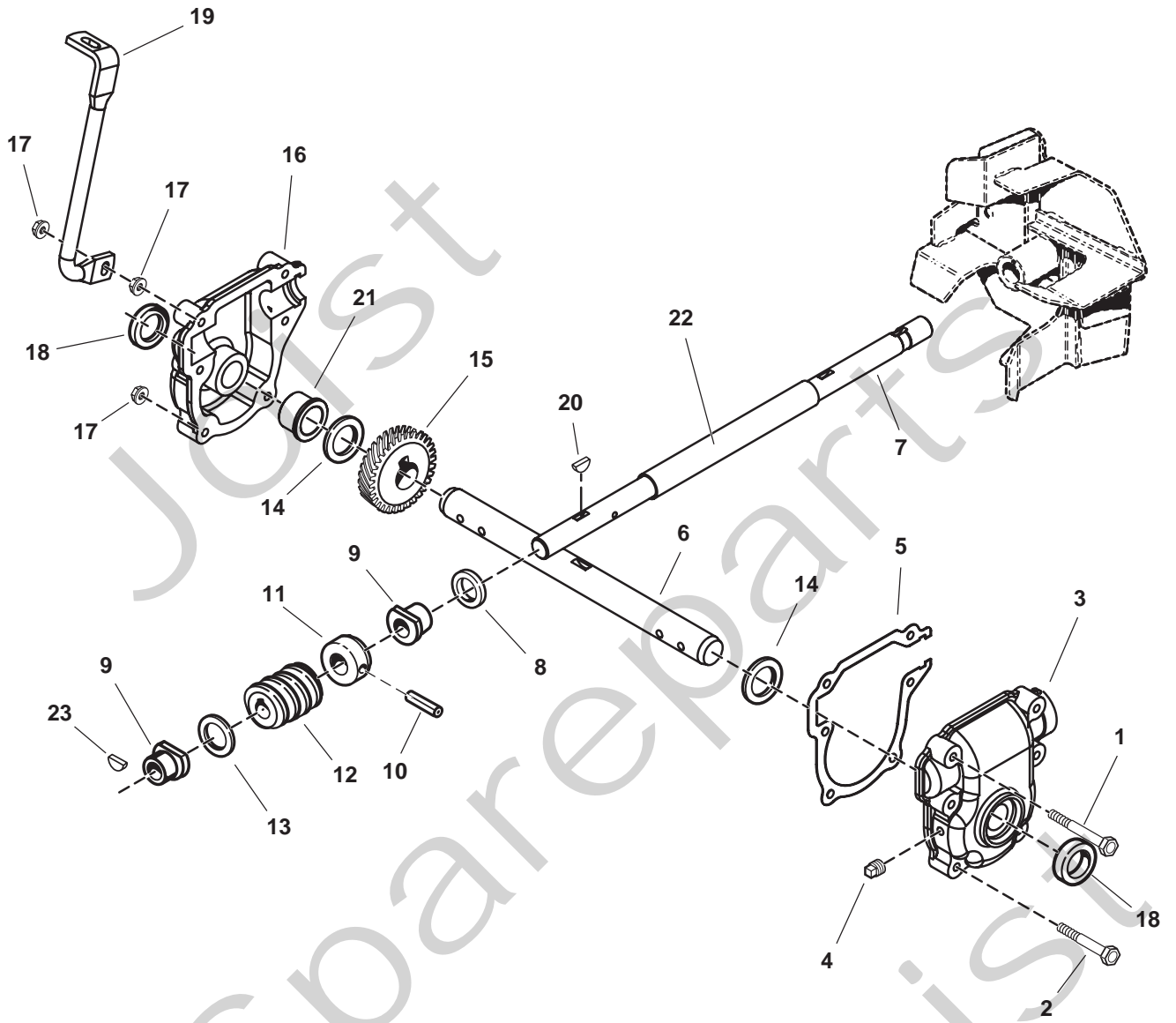
Utgåva Issue		Bildnr Picture No		1171HST- 1381HST HJUL		1171HST- 1381HST WHEELS		Sida Page	
2011- 14		2738B						110	
Pos. Fig.	Antal/Quantity			Art nr Part No	Benämning	Description	Sats Kit	Anmärkning Notes	
	2851 -32	2852 -32							
10	1	1		1812-2201-01	Hjul kpl- vä.....	Wheel assy- LH		16 x 6.50- 8	
20	1	1		1812-2202-01	Hjul kpl- hö	Wheel assy- RH		16 x 6.50- 8	
30	2	2		1812-2139-01	Låsring	Retaining ring			
90	2	2		1812-1606-01	Hjultallrik	Wheel disc			
100	4	4		1812-1827-01	Skruv	Screw			
110	2	2		1812-1959-01	• Låssprint.....	• Lock pin			
120	2	2		1812-1589-01	• Fjäder.....	• Compression spring.....			
130	2	2		1812-2121-01	• Nav	• Wheel lock hub			
140	2	2		1812-1958-01	• Knopp.....	• Knob			
150	2	2		1812-1756-01	Skruv.....	Screw			
170	2	2		9743-3521-32	Mutter.....	Nut			
999	2	2		1812-1982-01	Hjullåsnav kpl	Wheel lock hub kit.....		Inkl. 110,120,130,140	



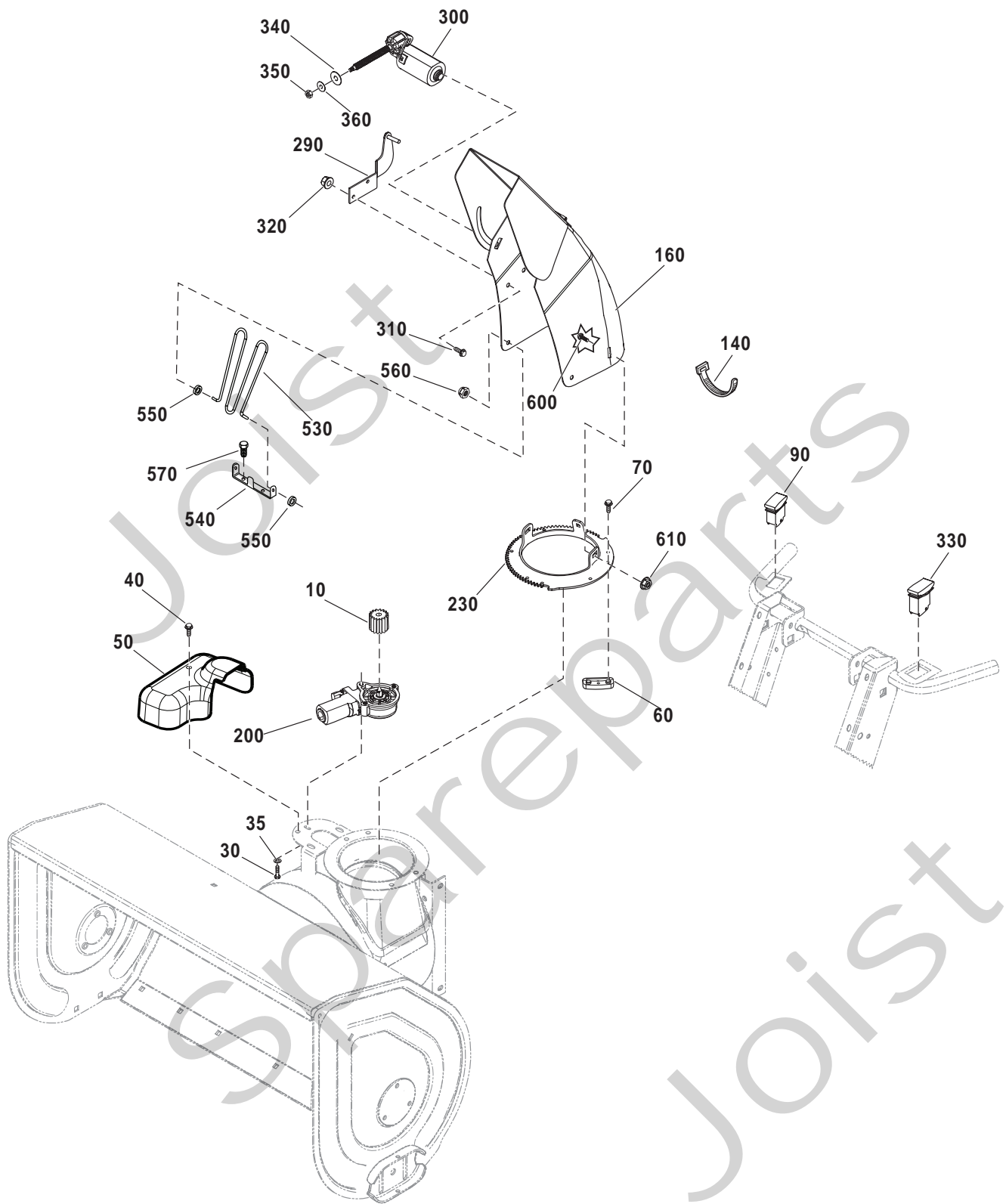
Utgåva Issue		Bildnr Picture No		1171HST- 1381HST INMATNINGSHUS		1171HST- 1381HST AUGER HOUSING		Sida Page	
2011- 14		2739						112	
Pos. Fig.	Antal/Quantity			Art nr Part No	Benämning	Description	Sats Kit	Anmärkning Notes	
	2851 -32	2852 -32							
X 10	1			1812-2722-01	Inmatningshus.....	Auger housing.....		28" (71 cm)	
X 10		1		1812-2723-01	Inmatningshus.....	Auger housing.....		32" (81 cm)	
20	2	2		1812-2378-01	Drivskär	Drift cutter.....			
30	2	2		1812-2359-01	Vingmutter.....	Wing nut			
40	2	2		9899-3622-16	Skruv	Screw			
50	3	3		9743-3621-32	Mutter.....	Nut			
60	1			1812-2153-01	Skrapskär	Scraper blade			
60		1		1812-2154-01	Skrapskär	Scraper blade			
70	5	5		1812-2264-01	Vagnsbult	Carriage bolt			
80	5	5		9727-3641-22	Mutter.....	Nut			
90	4	4		9899-3725-16	Skruv	Screw			
100	2	2		1812-2167-01	Släpsko.....	Skid shoe			
110	4	4		1132-0695-01	Mutter.....	Nut			
120	2	2		1812-2318-01	Kullager	Ball bearing			
130	6	6		1812-2141-01	Skruv	Screw			
140	2	2		1812-1912-01	Mutter.....	Nut			
150	2	2		1812-2413-01	Klämma	Spring clamp.....			
160	2	2		1812-2480-01	Skruv	Screw			
170	1	1		1812-2400-01	Borste	Cleanout brush.....			
180	1	1		1812-2346-01	Lager	Greased bearing.....			
190	1	1		1812-2142-01	Lagerhållare.....	Bearing retainer.....			
200	3	3		9899-3625-16	Skruv	Screw			



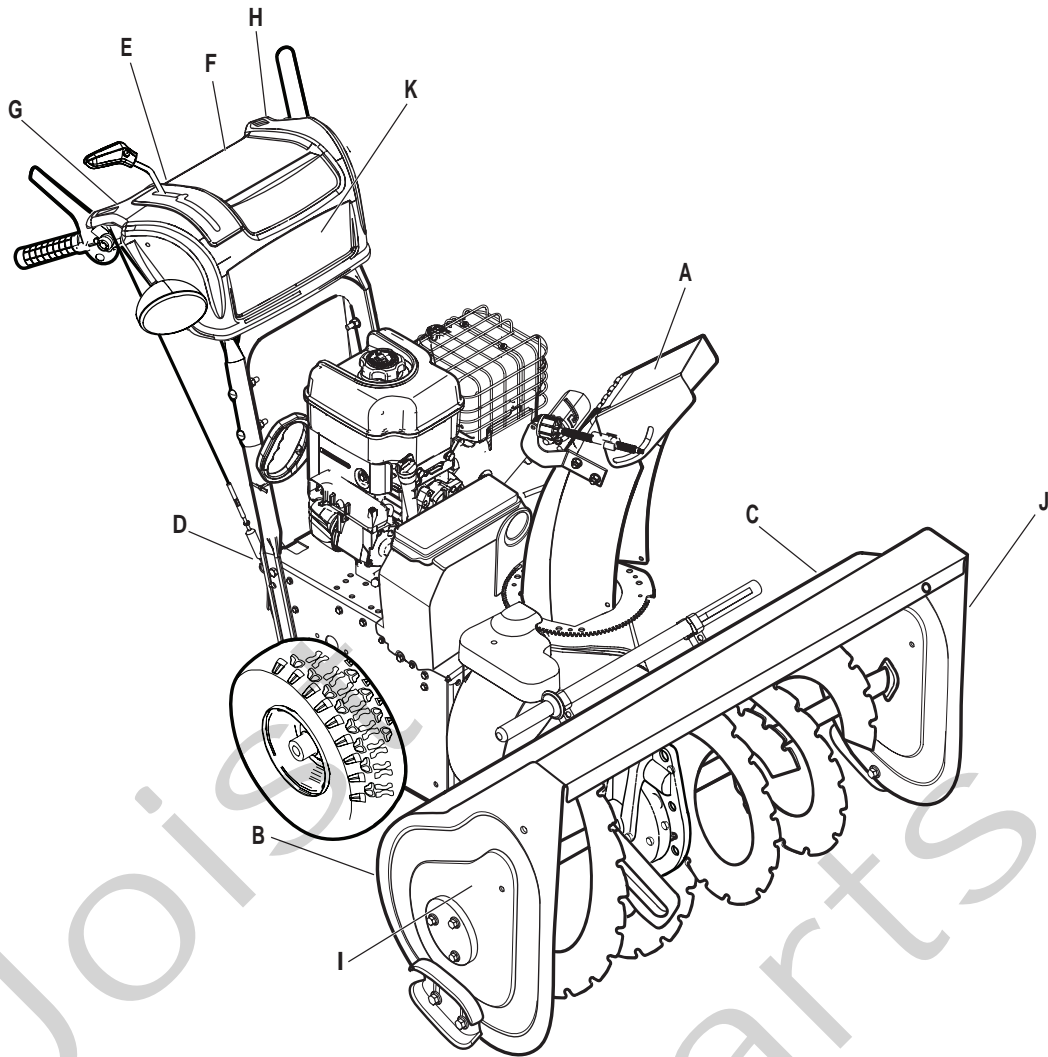
Utgåva Issue		Bildnr Picture No		1171HST- 1381HST SNÖSKRUV		1171HST- 1381HST AUGER DRIVE		Sida Page	
2011- 14		2740A						114	
Pos. Fig.	Antal/Quantity			Art nr Part No	Benämning	Description	Sats Kit	Anmärkning Notes	
	2851 -32	2852 -32							
10	1			1812-2322-01	Snöskruv- hö	Auger- RH			
10		1		1812-2324-01	Snöskruv- hö	Auger- RH			
20	1			1812-2321-01	Snöskruv- vä.....	Auger- LH			
20		1		1812-2323-01	Snöskruv- vä.....	Auger- LH			
25	2	2		1812-2646-01	• Smörjnippel	• Lube fitting			
30	1	1		9899-3625-16	Skruv	Screw			
40	1	1		9727-3641-22	Mutter	Nut			
50	1	1		1812-2175-01	Snäckväxel kpl	Gearbox assy			
60	2	2		1812-2274-01	Kil	Key			
70	1	1		1812-2137-01	Fläkt	Impeller			
80	1	1		1812-2262-01	Skruv	Screw			
X 90	2	2		1812-2764-01	Skruv	Screw			
100	1	1		1812-2174-01	Remskiva	Pulley			
110	1	1		1812-9029-01	Brytbultsats	Shear bolt kit		Sats 2 st/kit of 2	
X 120	2	2		1812-2563-01	• Låsnål	• Cotter pin			



Utgåva Issue		Bildnr Picture No		1171HST- 1381HST SNÄCKVÄXEL		1171HST- 1381HST GEAR CASE		Sida Page	
2011- 14		2186						116	
Pos. Fig.	Antal/Quantity			Art nr Part No	Benämning	Description	Sats Kit	Anmärkning Notes	
	2851 -32	2852 -32							
1	1	1		9988-3564-12	Skruv	Screw		L = 64 mm	
2	5	5		9988-3557-12	Skruv	Screw		L = 57 mm	
3	1	1		1812-2132-01	Växelhus- vä	Gear case- LH			
4	1	1		1812-2146-01	Plugg	Plug			
5	1	1		1812-2130-01	Packning	Gasket			
6	1	1		1812-2181-01	Axel	Auger shaft			
7	1	1		1812-2173-01	Axel	Worm shaft			
8	1	1		1812-2128-01	Tätningring	Oil seal			
9	2	2		1812-2136-01	Flänsbussning	Flange bushing			
10	1	1		1812-2277-01	Stift	Drive lock pin			
11	1	1		1812-2131-01	Hylsa	Thrust collar			
12	1	1		1812-2135-01	Snäckskruv	Worm			
13	1	1		1812-2271-01	Tryckbricka	Thrust washer			
14	2	2		1812-2270-01	Tryckbricka	Thrust washer			
15	1	1		1812-2134-01	Snäckdrev	Worm gear			
16	1	1		1812-2133-01	Växelhus- hö	Gear case- RH			
17	7	7		9743-3521-32	Mutter	Nut			
18	2	2		1812-2269-01	Tätningring	Seal			
19	1	1		1812-2172-01	Stag	Bracket			
20	1	1		1812-2274-01	Kil	Key			
21	2	2		1812-2198-01	Bussning	Bushing			
22	1	1		1812-2129-01	Rör	Tube			
23	1	1		1812-2276-01	Kil	Key			



Utgåva Issue		Bildnr Picture No		1171HST- 1381HST UTKAST		1171HST- 1381HST DISCHARGE CHUTE		Sida Page	
2011- 14		2741A						118	
Pos. Fig.	Antal/Quantity			Art nr Part No	Benämning	Description	Sats Kit	Anmärkning Notes	
	2851 -32	2852 -32							
X 10	1	1		1812-2375-01	Drev.....	Pinion.....			
30	3	3		1812-2741-01	Skruv.....	Screw.....			
35	3	3		9699-0099-02	Bricka.....	Washer.....			
40	1	1		1812-2474-01	Skruv.....	Screw.....			
50	1	1		1812-2415-01	Lock.....	Cover.....			
60	3	3		1812-2280-01	Hållare.....	Retainer.....			
70	6	6		1812-2257-01	Skruv.....	Screw.....			
90	1	1		1812-2533-01	Strömbrytare.....	Switch- chute rotate.....			
140	1	1		1812-2371-01	Buntband.....	Self lock tie.....			
160	1	1		1812-2427-01	Utkast.....	Chute.....			
X 200	1	1		1812-2735-01	Motor-rotation.....	Motor- spout rotator.....			
230	1	1		1812-2422-01	Ringdrev.....	Chute gear.....			
290	1	1		1812-2435-01	Stag.....	Bracket.....			
300	1	1		1812-2421-01	Motor.....	Motor, chute deflect.....			
310	2	2		1812-2265-01	Skruv.....	Screw.....			
320	2	2		9743-3521-32	Mutter.....	Nut.....			
X 330	1	1		1812-2730-01	Brytare.....	Switch, defl.control.....			
340	1	1		1812-2431-01	Gummibricka.....	Rubber washer.....			
350	1	1		1812-2432-01	Mutter (vä- gängad).....	Nut (left hand).....			
360	1	1		1812-2484-01	Bricka.....	Washer.....			
530	1	1		1812-2381-01	Utkastskydd.....	Chute guard.....			
540	1	1		1812-2416-01	Fäste.....	Chute guard brkt.....			
550	2	2		1812-2426-01	Hylsa.....	Grommet.....			
560	2	2		1812-2478-01	Snabbmutter.....	Push nut.....			
570	2	2		1812-2473-01	Skruv.....	Screw.....			
600	2	2		1812-2254-01	Vagnsbult.....	Carriage bolt.....			
610	2	2		9795-3531-02	Mutter.....	Nut.....			



1

Utgåva Issue 2011-14		Bildnr Picture No 2787A		1171HST- 1381HST DEKALER		1171HST- 1381HST LABELS		Sida Page 120	
Pos. Fig.	Antal/Quantity				Art nr Part No	Benämning	Description	Sats Kit	Anmärkning Notes
	2851 -32	2852 -32							
1 1	1	1			1812-2704-01 1812-2705-01	Dekalsats Dekalsats	Label kit Label kit		Inkl. A-K Inkl. A-K