

# Genuine Spare Parts

www.stiga.com

## Hydro-Gear Transmission Model Year 2003/04

includes:

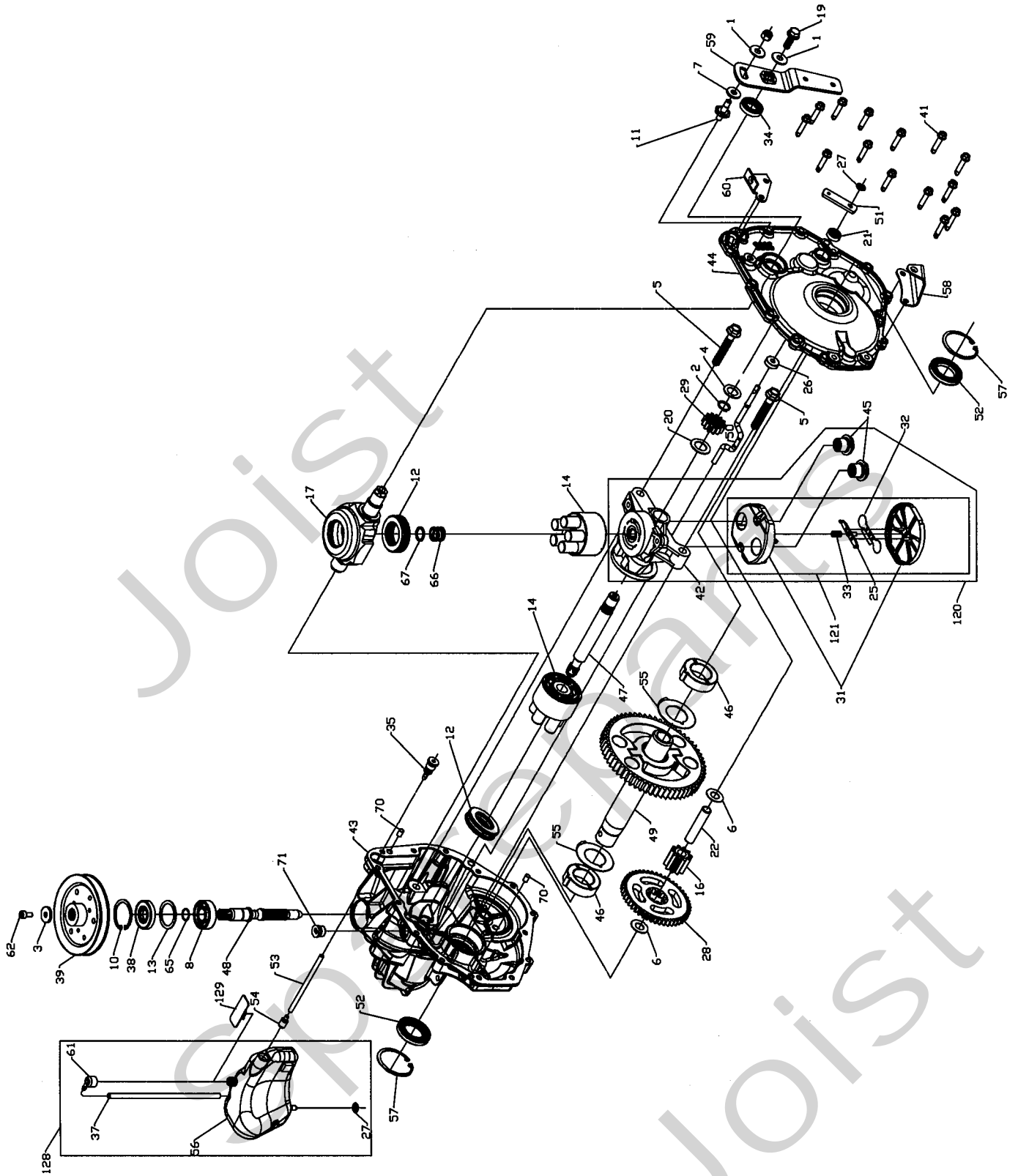
1812-1800-01 Hydro-Gear Transmission 314-0410

- Use GLOBAL GARDEN PRODUCT Genuine Spare Parts specified in the parts list for repair and/or replacement.
- The contents described in the parts list may change due to improvement.
- The drawings of the spare parts are only indicative and might not represent the part in question exactly.
- The indications "right" - "left" - "front" - "rear" refer to the position of the operator when using the machine.
- When placing orders of parts for repair and/or replacement, make sure that the illustrated parts list is the one applying to the machine's year of manufacture, as shown on the identification plate attached to the machine.

COPYRIGHT by GLOBAL GARDEN PRODUCTS

All rights reserved. No part of this material may be reproduced or transmitted, in any form or by any means, electronic or mechanical, including photocopying, recording or by any information storage and retrieval system, without permission in writing from GLOBAL GARDEN PRODUCTS.

**STIGA**®



Utgåva Issue 2003-59		Bildnr Picture No 1541		HYDRO- GEAR TRANSMISSION 314- 0410		HYDRO- GEAR TRANSMISSION 314- 0410		Sida Page 130	
Pos. Fig.	Antal/Quantity				Art nr Part No	Benämning	Description	Sats Kit	Anmärkning Notes
	314- 0410								
1	2				1139-2011-01	Planbricka.....	Flat washer.....		
2	1				1139-2012-01	Låsring .....	Retaining ring .....		
3	1				1139-2013-01	Bricka .....	Washer.....		
4	1				1139-2014-01	Planbricka.....	Flat washer.....		
5	2				1139-2015-01	Skruv .....	Screw.....		
6	2				1139-2016-01	Bricka .....	Washer.....		
7	1				1139-2017-01	Friktnsbricka .....	Friction puck .....		
8	1				1139-2018-01	Kullager .....	Ball bearing .....		
10	1				1139-2019-01	Låsring .....	Retaining ring .....		
11	1				1139-2020-01	Pinnbult .....	Stud .....		
12	2				1139-2021-01	Trycklager .....	Thrust bearing.....		
13	1				1139-2023-01	Distans .....	Spacer.....		
14	2				1139-2063-01	Cylinderblock.....	Cylinder block .....		
16	1				1139-2024-01	Drev .....	Gear .....	10T	
17	1				1139-2025-01	Stänkplatta.....	Swash plate.....		
19	1				1139-2026-01	Bult .....	Bolt .....		
20	1				1139-2027-01	Bricka .....	Washer.....		
21	1				1139-2028-01	• Tätningsring .....	• Lip seal.....		
22	1				1139-2029-01	Axel .....	Pin .....		
25	1				1139-2030-01	• By- pass aktiverare.....	• By- pass actuator .....		
26	1				1139-2031-01	Magnet .....	Ring magnet .....		
27	2				1139-2032-01	• Låsring .....	• Retaining ring.....		
28	1				1139-2033-01	Drev .....	Gear .....	10T/48T	
29	1				1139-2034-01	Drev .....	Pinion gear .....	13T	
32	1				1139-2035-01	• Deflektor .....	• Deflector .....		
33	1				1139-2036-01	• By- pass fjäder.....	• By- pass spring .....		
34	1				1139-2037-01	• Tätningsring .....	• Lip seal.....		
35	1				1139-2038-01	Nippel .....	Fitting .....		
37	1				1139-2039-01	• Slang .....	• Hose.....		
38	1				1139-2040-01	• Tätningsring .....	• Lip seal.....		
39	1				1139-2041-01	Remskiva.....	Pulley .....		
41	14				1139-2042-01	Skruv .....	Screw .....		
43	1				1139-2065-01	Huvudhus kpl .....	Main housing assy .....		
44	1				1139-2066-01	Sidohus kpl.....	Side housing assy .....		
45	2				1139-2045-01	• Plugg .....	• Check plug .....		
46	2				1139-2047-01	Lager .....	Bearing.....		
47	1				1139-2048-01	Motoraxel .....	Motor shaft .....		
48	1				1139-2049-01	Ingående axel .....	Input shaft.....		
49	1				1139-2050-01	Rör- drev kpl .....	Tube- bull gear assy .....		
50	1				1139-2051-01	By- pass stång .....	By- pass actuator rod .....		
51	1				1139-2052-01	By- pass arm.....	By- pass arm .....		
52	2				1139-2053-01	• Tätningsring .....	• Lip seal.....		
53	1				1139-2054-01	Slang .....	Hose.....		
54	1				1139-2055-01	• Vikt .....	• Weight.....		
55	2				1139-2056-01	Bricka .....	Washer.....		
56	1				1139-2057-01	Expansionskärl .....	Expansion tank.....		
57	2				1139-2058-01	Låsring .....	Retaining ring .....		
58	1				1139-2059-01	Fäste .....	Bracket.....		
59	1				1139-2060-01	Reglagearm .....	Control arm .....		
60	1				1139-2061-01	Fäste .....	Bracket.....		
61	1				1139-2062-01	• Lock .....	• Cap.....		
62	1				1139-2046-01	Skruv .....	Screw .....		
65	1				1139-2071-01	Låsring .....	Retaining ring .....		
66	1				1139-2072-01	Tryckfjäder .....	Compression spring.....		
67	1				1139-2073-01	Bricka .....	Washer.....		
70	2				1139-2009-01	Sprint.....	Pin .....		
71	1				1139-2010-01	Plugg .....	Plug .....		
120	1				1139-2064-01	Centrumstycke- filter .....	Center section- filter .....		Pos 25,31-33,42,45
121	1				1139-2069-01	Filter kpl .....	Filter assy .....		Inkl. pos 25, 31-33
128	1				1139-2068-01	Expansionskärl kpl.....	Expansion tank kit.....		Inkl. pos 27,37,54,61
129	1				1139-2044-01	Transportlock.....	Tank shipping cap .....		