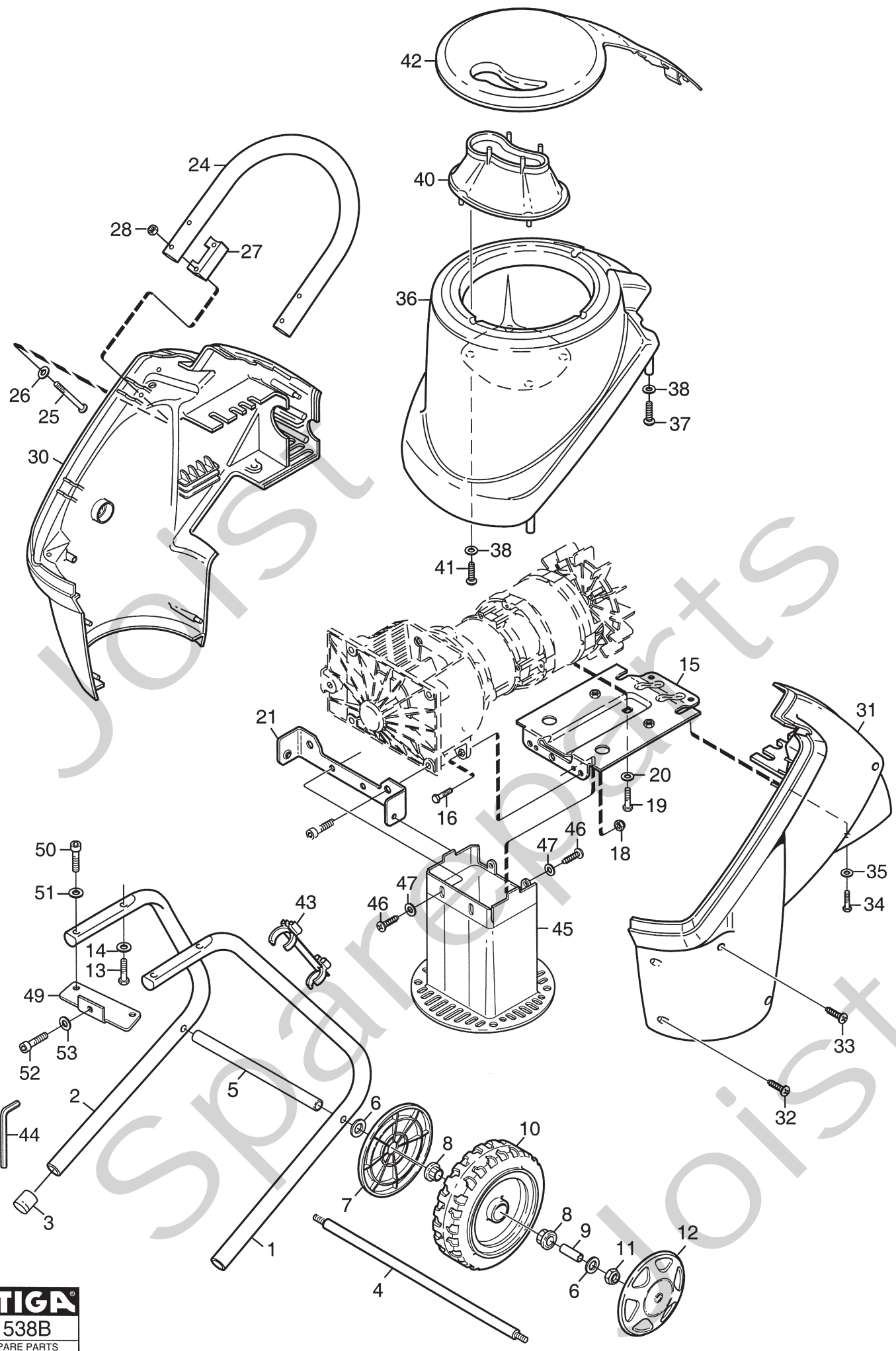


Genuine Spare Parts

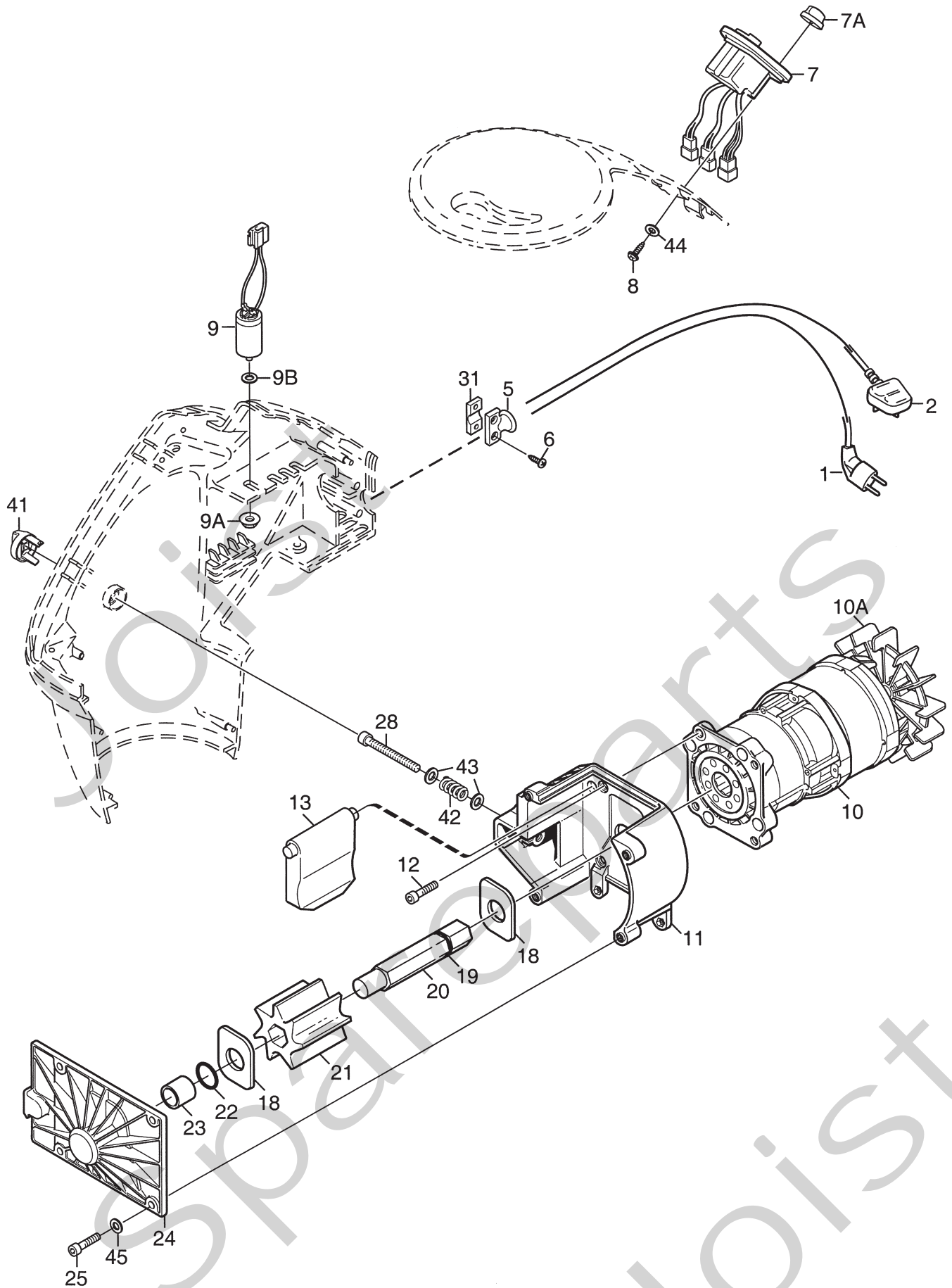


Joist
Spareparts
Joist



STIGA
 1538B
 SPARE PARTS

Utgåva Issue		Bildnr Picture No		BIO- SILENT KOMPOSTKVARN CHASSI	BIO- SILENT SHREDDER CHASSIS	Sida Page		
2005- 12		1538B				232		
Pos. Fig.	Antal/Quantity			Art nr Part No	Benämning	Description	Sats Kit	Anmärkning Notes
	2660							
X	1	1		1717-0352-01	Ben- vä.....	Leg- LH		
	2	1		1717-0352-02	Ben- hö	Leg- RH		
	3	2		1717-0373-01	Plastplugg	End cap		
	4	1		1717-0354-01	Hjulaxel.....	Wheel axle.....		
	5	1		1717-0355-01	Rör	Tube		
	6	4		9699-0035-02	Planbricka.....	Flat washer.....		
	7	2		1717-0522-01	Hjulsköld	Wheel cover		
	8	4		1717-0350-01	Hjulbussning	Wheel bush		
	9	2		1717-0356-01	Hjulhylsa.....	Wheel spacer		
	10	2		1717-0347-01	Hjul.....	Wheel.....		
	11	2		9747-0831-02	Mutter.....	Lock nut		
	12	2		1717-0348-01	Navkapsel- gul	Hub cap- yellow.....		
	13	4		9939-0840-12	Skruv	Screw		
	14	2		9699-0035-02	Planbricka.....	Flat washer		
	15	1		1717-0357-01	Motorplatta	Motor plate		
	16	2		9997-0616-16	Skruv	Screw		
	18	2		9747-0631-02	Låsmutter	Lock nut		
	19	1		9997-0612-16	Skruv	Screw		
	20	1		9699-0060-02	Planbricka.....	Flat washer		
	21	1		1717-0360-01	Motorfäste- främre	Motor bracket- front.....		
X	24	1		1717-0499-01	Styre	Handle.....		
X	25	4		1717-0518-01	Skruv	Screw		
	26	4		9699-0060-02	Planbricka.....	Flat washer		
X	27	2		1717-0500-01	Stöd för styre.....	Handle block		
	28	4		9799-0631-02	Mutter.....	Nut		
X	30	1		1717-0501-01	Hus- gul.....	Housing- yellow		
X	31	1		1717-0519-01	Hus- gul.....	Housing- yellow		
	32	5		1717-0377-01	Skruv	Screw		
	33	2		1717-0378-01	Skruv	Screw		
	34	2		9997-0612-16	Skruv	Screw		
	35	2		9699-0060-02	Planbricka.....	Flat washer		
X	36	1		1717-0520-01	Frontkåpa- gul.....	Front cap- yellow.....		
	37	4		1717-0377-01	Skruv	Screw		
	38	8		9699-0021-02	Bricka	Washer		
	40	1		1717-0342-01	Grentratt- svart	Branch guide- black.....		
	41	4		1717-0377-01	Skruv	Screw		
X	42	1		1717-0504-01	Panellock- grå.....	Panel cap- grey		
X	43	1		1717-0503-01	Hållare- nyckel	Holder- wrench.....		
	44	1		9900-0060-00	Insexnyckel.....	Allen wrench		6 mm
	45	1		1717-0406-01	Tratt	Funnel		
	46	4		1717-0378-01	Skruv	Screw		
	47	4		9699-0024-02	Planbricka.....	Flat washer		
	49	1		1717-0405-01	Fästplåt.....	Bracket		
	50	2		9939-0840-12	Skruv	Screw		
	51	2		9699-0035-02	Planbricka.....	Flat washer		
X	52	1		9939-0812-16	Skruv	Screw		
	53	1		9699-0035-02	Planbricka.....	Flat washer		



Utgåva Issue		Bildnr Picture No		BIO- SILENT KOMPOSTKVARN MOTOR SKÄRENHET	BIO- SILENT SHREDDER MOTOR CUTTER	Sida Page		
2005- 12		1539B				234		
Pos. Fig.	Antal/Quantity			Art nr Part No	Benämning	Description	Sats Kit	Anmärkning Notes
	2660							
	1	1		1717-0359-01	Anslutningsladd	Connection cable		EU Australia UK
	1	1		1717-0359-03	Anslutningsladd	Connection cable		
	2	1		1717-0359-02	Anslutningsladd	Connection cable		
	5	1		1717-0349-01	Dragavlastare	Cord restrainer		
	6	2		1717-0377-01	Skruv	Screw		
X	7	1		1717-0506-01	Strömbrytare kpl	Switch assy		
X	7A	1		1717-0521-01	• Riktningssknapp	• Direction button		
	8	4		1717-0382-01	Skruv	Screw		
	9	1		1717-0408-01	Kondensator	Condensator	20 uF	
	9A	1		9739-0831-22	• Mutter	• Nut		
	9B	1		9678-0010-02	• Låsbricka	• Starlock		
	10	1		1717-0383-01	Elmotor kpl	Electric motor assy		
	10A	1		1717-0384-01	• Kylfläkt	• Cooling fan		
X	11	1		1717-0511-01	Skärkammare	Cutting chamber		
X	12	4		9939-0820-16	Skruv	Screw		
X	13	1		1717-0512-01	Skärplatta	Cutting plate		
	18	2		1717-0387-01	Distansplatta	Spacer plate		
	19	1		1717-0388-01	O-ring	O-ring		
	20	1		1717-0389-01	Axel	Shaft		
	21	1		1717-0390-01	Skärvals	Cutter		
	22	1		1717-0391-01	O-ring	O-ring		
	23	1		1717-0392-01	Lagerbussning	Bearing bush		
X	24	1		1717-0513-01	Skärkammlock	Cutting chamber cover		
	25	4		9939-0820-16	Skruv	Screw		
X	28	1		1717-0514-01	Justerskruv	Adjusting screw		
	31	1		1717-0398-01	Dragavlastare- undre	Cable restrainer- lowe		
X	41	1		1717-0502-01	Justervred	Adjustment knob		
X	42	1		1717-0515-01	Fjäder	Spring		
	43	2		9699-0035-02	Planbricka	Flat washer		
	44	4		9699-0021-02	Bricka	Washer		
	45	4		9683-0030-02	Låsbricka	Lock washer		