

Genuine Spare Parts

www.stiga.com

SCARIFIERS Model Year 2010

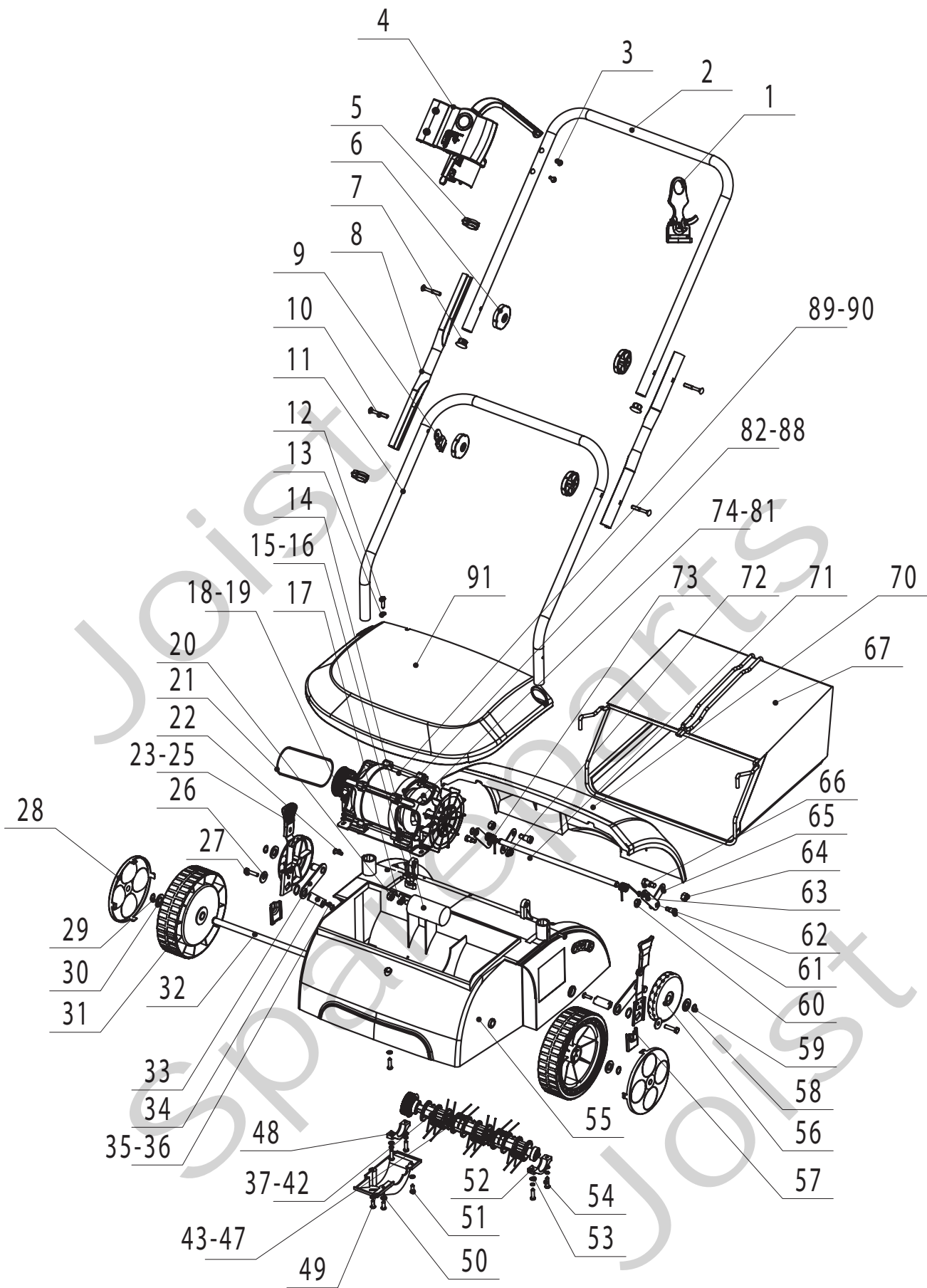
includes:
26-2513-13 RE 30 Lawn Rake

- Use GLOBAL GARDEN PRODUCT Genuine Spare Parts specified in the parts list for repair and/or replacement.
- The contents described in the parts list may change due to improvement.
- The drawings of the spare parts are only indicative and might not represent the part in question exactly.
- The indications "right" - "left" - "front" - "rear" refer to the position of the operator when using the machine.
- When placing orders of parts for repair and/or replacement, make sure that the illustrated parts list is the one applying to the machine's year of manufacture, as shown on the identification plate attached to the machine.

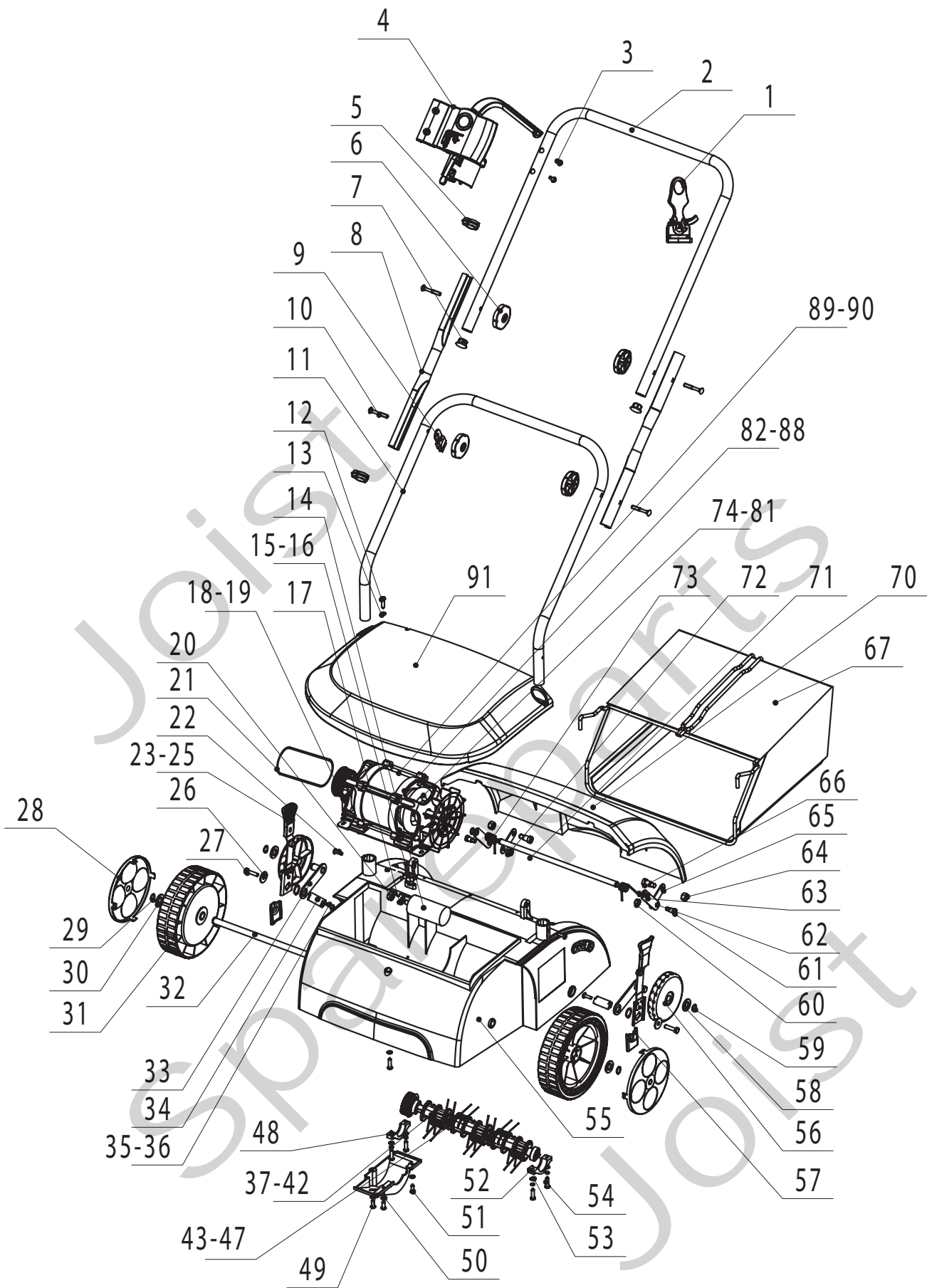
COPYRIGHT by GLOBAL GARDEN PRODUCTS

All rights reserved. No part of this material may be reproduced or transmitted, in any form or by any means, electronic or mechanical, including photocopying, recording or by any information storage and retrieval system, without permission in writing from GLOBAL GARDEN PRODUCTS.

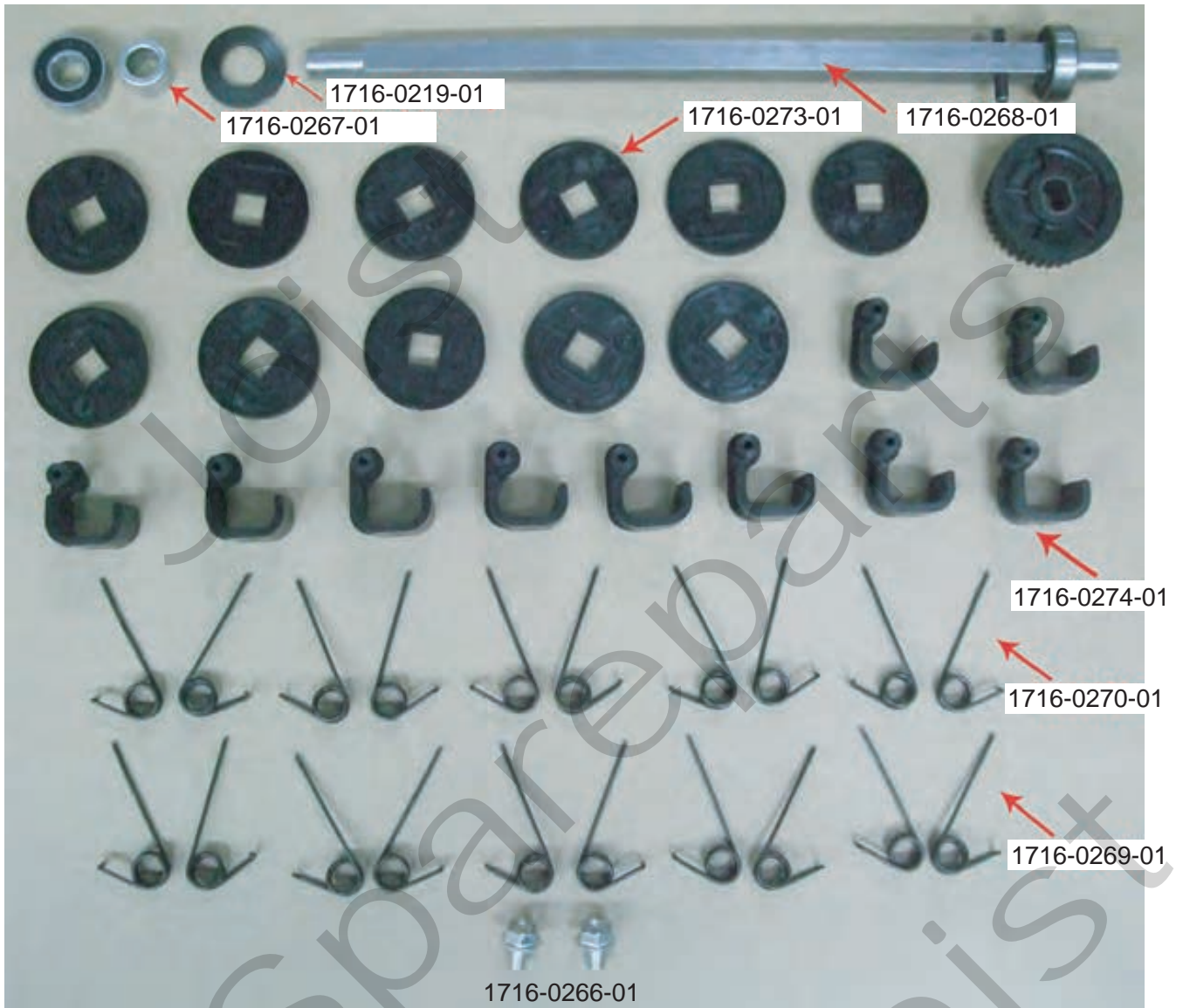
The STIGA logo is located in the bottom right corner of the page. It consists of the word "STIGA" in a bold, white, sans-serif font, with a registered trademark symbol (®) to its upper right. The logo is set against a black rectangular background.



Utgåva Issue		Bildnr Picture No		RE 30 MOSSRIVARE		RE 30 LAWN RAKE		Sida Page	
2010-12		2682						6	
Pos. Fig.	Antal/Quantity				Art nr Part No	Benämning	Description	Sats Kit	Anmärkning Notes
	2513 -13								
1	1			1716-0272-01	Kabelhållare	Cable hook			
2	1			1716-0252-01	Styre- överdel	Handle- upper			
3	2			9847-8016-16	Skruv	Screw			
4	1			1811-2349-01	Brytare	Switch			
5	2			1716-0225-01	Kabelhållare	Cable holder			
6	4			1716-0238-01	Lås ratt	Handle knob			
7	2			1716-0224-01	Plugg	Plug			
8	2			1716-0248-01	Styrrör	Handle tube			
9	1			1716-0226-01	Kabelhållare	Cable clamp			
10	4			9898-0645-12	Skruv	Screw			
11	1			1716-0253-01	Styre- underdel	Handle- lower			
12	3			1716-0006-01	Skruv	Screw			
13	3			1716-0009-01	Bricka	Washer			
14	1			1716-0265-01	Kondensator	Condensor			
15	2			9847-7916-16	Skruv	Screw		16 uF	
16	1			1716-0014-01	Kabelklämma	Cable clip			
17	1			9683-0030-02	Låsbricka	Lock washer			
18	4			1716-0007-01	Skruv	Screw			
19	4			9683-0015-02	Låsbricka	Lock washer			
20	1			9799-0831-02	Mutter	Nut			
21	1			1716-0221-01	Drivrem	Belt			
22	2			1716-0007-01	Skruv	Screw			
23	2			1716-0234-01	Handtag	Handle			
24	6			1716-0223-01	Nit	Rivet			
25	2			1716-0254-01	Anslutning- handtag	Connector			
26	2			9699-0087-02	Planbricka	Flat washer			
27	2			9997-0510-16	Skruv	Screw			
28	2			1716-0054-01	Navkapsel- gul	Wheel cover- yellow			
29	2			9650-0012-04	Seegersäkkring	Circlip			
30	2			9699-0069-02	Planbricka	Flat washer			
31	2			1716-0053-01	Hjul	Wheel			
32	1			1716-0247-01	Hjulaxel- fram	Wheel shaft- front			
33	2			1716-0256-01	Hjulfäste- bak	Wheel support- rear			
34	2			1716-0255-01	Hjulaxel- bak	Wheel shaft- rear			
35	2			9950-0510-16	Skruv	Screw			
36	2			1716-0257-01	Klämma- bakaxel	Clip- rear wheel axle			
37	1			1716-0268-01	Axel	Axle			
38	2			1716-0266-01	Skruv	Screw			
39	1			1716-0251-01	Remskiva	Sub drive wheel			
40	2			9549-0044-00	Kullager	Ball bearing			
41	2			1716-0222-01	Spännstift	Elastic column pin			
42	11			1716-0273-01	Platta (plast)	Plate (plastic)			
43	10			1716-0274-01	Fjäderhållare	Spring holder			
44	10			1716-0269-01	Fjäder- hö	Spring- RH			
45	10			1716-0270-01	Fjäder- vä	Spring- LH			
46	1			1716-0219-01	Fjäderbricka	Spring washer			
47	1			1716-0267-01	Distans	Spacer			
48	1			1716-0230-01	Lagerkåpa- vä	Bearing cover- LH			
49	1			1716-0229-01	Kåpa	Cover			
50	3			1716-0009-01	Bricka	Washer			
51	3			9847-8016-16	Skruv	Screw			
52	1			1716-0228-01	Lagerkåpa- hö	Bearing cover- RH			
53	4			1716-0009-01	Bricka	Washer			
54	4			1716-0006-01	Skruv	Screw			
55	1			1716-0233-01	Chassi	Chassis			
56	2			1716-0231-01	Hjul- bak	Wheel- rear			
57	2			1716-0235-01	Täckkåpa	Handle cover			
58	2			9699-0069-02	Planbricka	Flat washer			
59	2			9650-0012-04	Seegersäkkring	Circlip			
60	1			1716-0246-01	Fjäder- hö	Wrest spring- RH			
61	2			1716-0215-01	Bult	Middle bolt			
62	2			1716-0258-01	Stag	Middle connector			
63	2			9650-0010-04	Spårring	Lock ring			



Utgåva Issue		Bildnr Picture No		RE 30 MOSSRIVARE		RE 30 LAWN RAKE		Sida Page	
2010-12		2682						8	
Pos. Fig.	Antal/Quantity				Art nr Part No	Benämning	Description	Sats Kit	Anmärkning Notes
	2513 -13								
64	2			9799-0831-02	Mutter.....	Nut.....			
65	2			1716-0259-01	Stag-lucka.....	Back cover connector.....			
66	2			1716-0216-01	Ansatsbult.....	Column bolt.....			
67	1			26-9934-11	Uppsamlare kpl.....	Collector assy.....			
70	1			1716-0236-01	Lucka- gul.....	Flap- yellow.....			
71	1			1716-0245-01	Pivotaxel-lucka.....	Locating lever.....			
72	2			9799-0631-02	Mutter.....	Nut.....			
73	1			1716-0244-01	Fjäder-vä.....	Wrest spring- LH.....			
74	1			1716-0035-01	Skruv.....	Screw.....			
75	1			1716-0227-01	Remskiva- motor.....	Main drive wheel.....			
76	1			1716-0239-01	Frontplatta.....	Front plate.....			
77	1			1716-0275-01	Rotor.....	Rotor.....			
78	1			1716-0271-01	Stator.....	Stator.....		1100W	
79	2			9549-0044-00	Kullager.....	Ball bearing.....			
80	1			1716-0218-01	Vågbricka.....	Wave gasket.....			
81	1			1716-0243-01	Bakstycke.....	Rear plate.....			
82	4			1716-0009-01	Bricka.....	Washer.....			
83	4			9683-0015-02	Låsbricka.....	Lock washer.....			
84	4			1716-0122-01	Bult.....	Bolt.....			
85	1			1716-0237-01	Fläkt.....	Fan.....			
86	1			9650-0015-04	Låsring.....	Lock ring.....			
87	1			1716-0242-01	Motorplatta.....	Motor base.....			
88	4			9699-0060-02	Planbricka.....	Flat washer.....			
89	4			1716-0012-01	Fjäderbricka.....	Spring washer.....			
90	4			1716-0214-01	Bult.....	Bolt.....			
91	1			1716-0232-01	Kåpa- gul.....	Cover- yellow.....			
99	1			1716-0263-01	Mont.sats.....	Assy kit.....		Ej ill/not ill.	



Utgåva Issue		Bildnr Picture No		RE 30 MOSSRIVARE		RE 30 LAWN RAKE		Sida Page	
2010-12		2683						10	
Pos. Fig.	Antal/Quantity				Art nr Part No	Benämning	Description	Sats Kit	Anmärkning Notes
	2513 -13								
1	1				1716-0267-01	Distans	Spacer		
2	1				1716-0219-01	Fjäderbricka	Spring washer		
3	1				1716-0268-01	Axel	Axle		
4	11				1716-0273-01	Platta (plast)	Plate (plastic)		
5	10				1716-0274-01	Fjäderhållare	Spring holder		
6	10				1716-0270-01	Fjäder- vä	Spring- LH		
7	10				1716-0269-01	Fjäder- hö	Spring- RH		
8	2				1716-0266-01	Skruv	Screw		