

# Genuine Spare Parts

www.stiga.com

## COLLECTOR 39 EL Model Year 2011

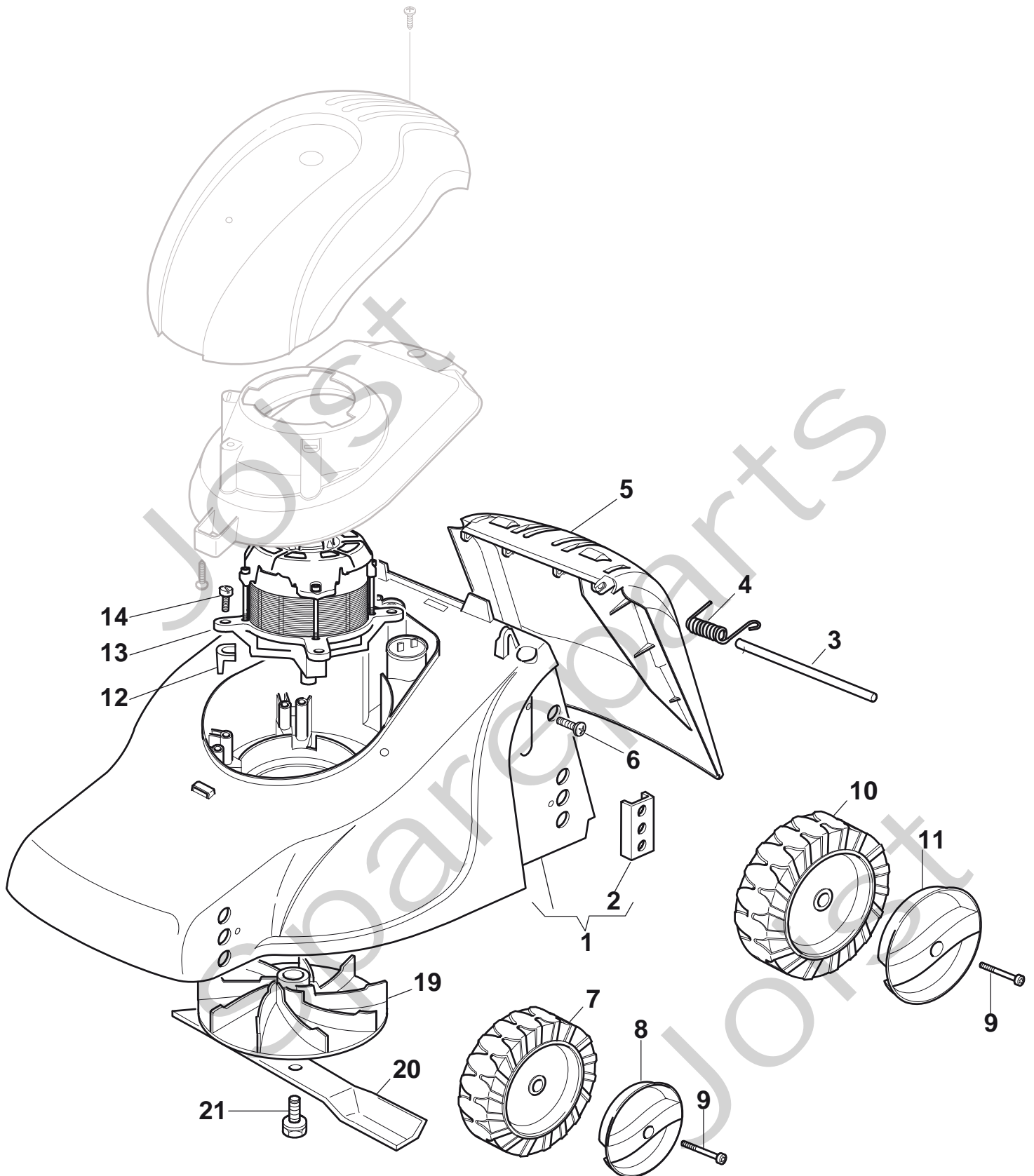
- Use GLOBAL GARDEN PRODUCT Genuine Spare Parts specified in the parts list for repair and/or replacement.
- The contents described in the parts list may change due to improvement.
- The drawings of the spare parts are only indicative and might not represent the part in question exactly.
- The indications "right" - "left" - "front" - "rear" refer to the position of the operator when using the machine.
- When placing orders of parts for repair and/or replacement, make sure that the illustrated parts list is the one applying to the machine's year of manufacture, as shown on the identification plate attached to the machine.

COPYRIGHT by GLOBAL GARDEN PRODUCTS

All rights reserved. No part of this material may be reproduced or transmitted, in any form or by any means, electronic or mechanical, including photocopying, recording or by any information storage and retrieval system, without permission in writing from GLOBAL GARDEN PRODUCTS.

The STIGA logo is located in the bottom right corner of the page. It consists of the word "STIGA" in a bold, white, sans-serif font, with a registered trademark symbol (®) to its upper right. The text is set against a black rectangular background.

COLLECTOR 39 EL

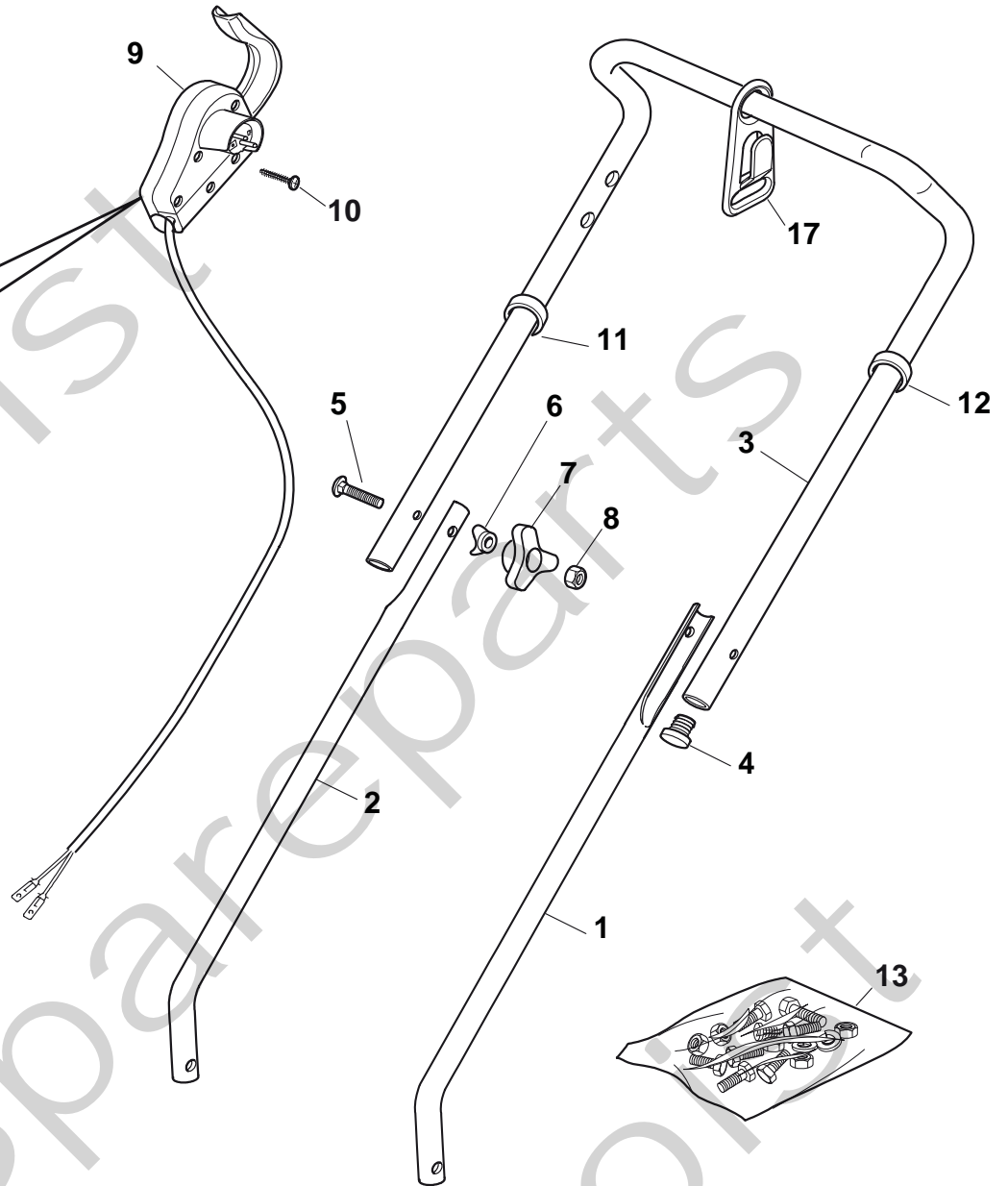
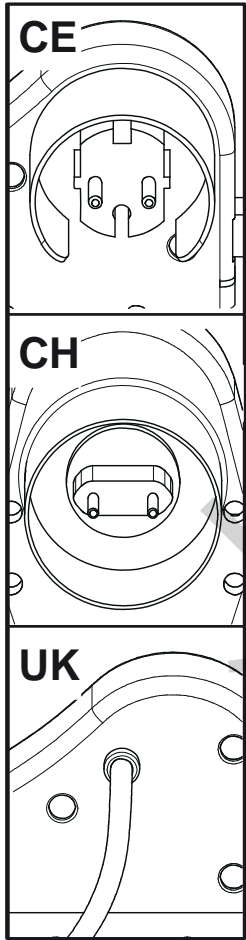




## COLLECTOR 39 EL

| Pos. Fig. | Antal Quantity | Art No Part No | Benämning     | Description     | Anmärkning Notes |
|-----------|----------------|----------------|---------------|-----------------|------------------|
| 1         | 1              | 81001561/0     | Chassi-röd    | Deck Red        |                  |
| 2         | 4              | 22785087/1     | Hjulhållare   | Support, Wheels |                  |
| 3         | 1              | 22512601/0     | Stift         | Pin             |                  |
| 4         | 1              | 22450250/0     | Fjäder        | Spring          |                  |
| 5         | 1              | 22600056/2     | Lucka         | Stone-Guard     |                  |
| 6         | 2              | 12728450/0     | Skruv         | Screw           |                  |
| 7         | 2              | 22686083/0     | Hjul Ø 130    | Wheel Ø 130     |                  |
| 8         | 2              | 22110420/0     | Navkapsel     | Hub Cap Yellow  |                  |
| 9         | 4              | 22524337/0     | Stift         | Pin             |                  |
| 10        | 2              | 22686085/0     | Hjul Ø 160    | Wheel Ø 160     |                  |
| 11        | 2              | 22110449/0     | Navkapsel-vit | Hub Cap Yellow  |                  |
| 12        | 4              | 22167700/0     | Distans       | Spacer          |                  |
| 13        | 1              | 118563659/0    | Elmotor       | Motor           |                  |
| 14        | 4              | 12735410/0     | Skruv         | Screw           |                  |
| 19        | 1              | 322465602/1    | Fläkt         | Hub Fan         |                  |
| 20        | 1              | 81004142/0     | Kniv          | Blade Standard  |                  |
| 21        | 1              | 381004352/1    | Skruv         | Screw           |                  |

COLLECTOR 39 EL

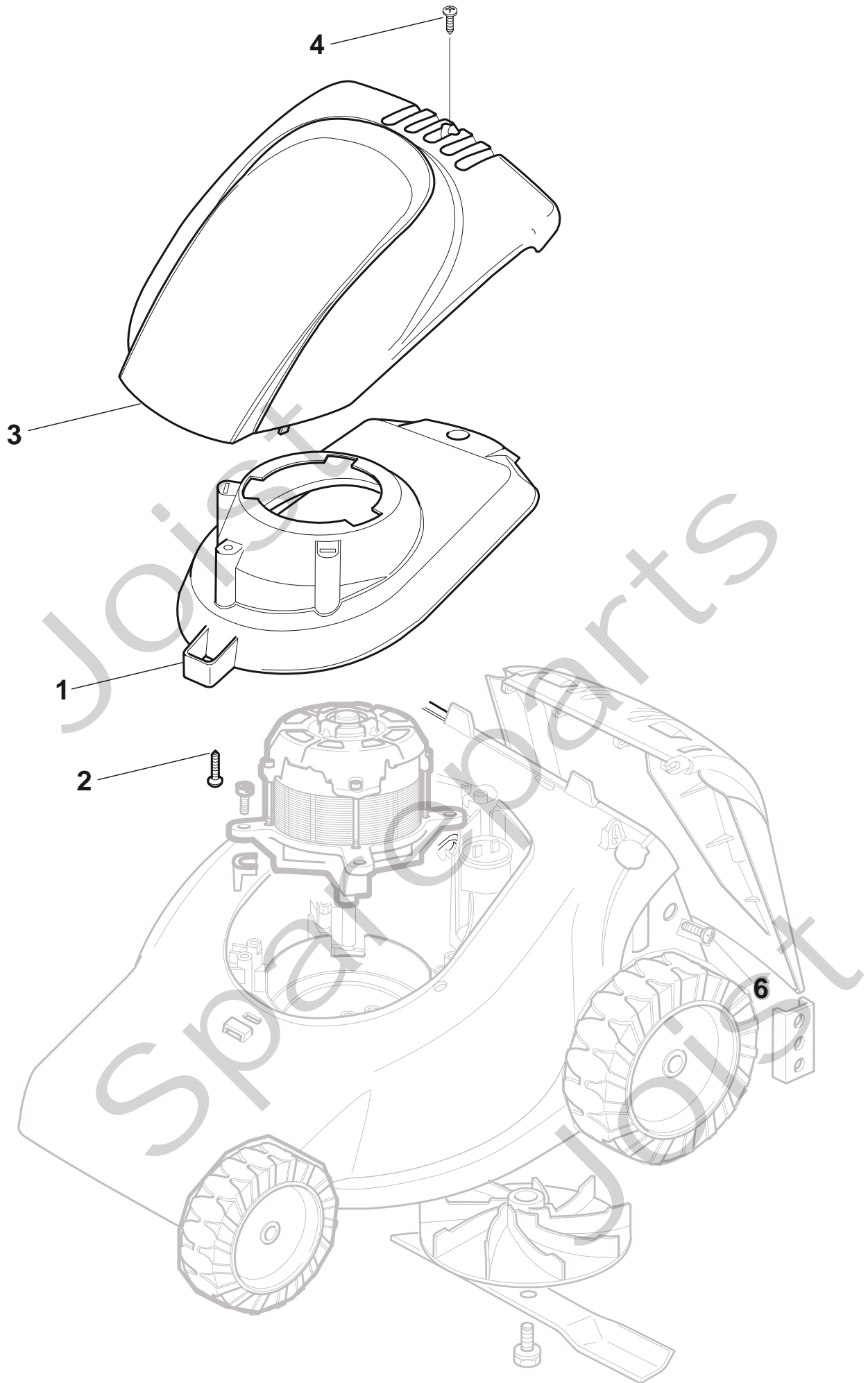




## COLLECTOR 39 EL

| Pos. Fig. | Antal Quantity | Art No Part No | Benämning          | Description        | Anmärkning Notes |
|-----------|----------------|----------------|--------------------|--------------------|------------------|
| 1         | 1              | 381006940/2    | Styre-underdel, vä | Handle, L Lower    |                  |
| 2         | 1              | 381006939/2    | Styre-underdel, hö | Handle, R Lower    |                  |
| 3         | 1              | 81006941/4     | Styre-överdel      | Handle, Upper Part |                  |
| 4         | 2              | 18566112/0     | Plugg              | Cap                |                  |
| 5         | 2              | 12819120/0     | Skruv              | Screw              |                  |
| 6         | 2              | 22680006/1     | Bricka             | Washer             |                  |
| 7         | 2              | 22399900/0     | Knopp              | Knob               |                  |
| 8         | 2              | 12293200/0     | Mutter             | Nut                |                  |
| 9         | 1              | 81600500/1     | Manöverdosa        | Dead Hand Switch   |                  |
| 10        | 2              | 12728701/0     | Skruv              | Screw              |                  |
| 11        | 1              | 22192000/1     | Distans            | Clamp              |                  |
| 12        | 1              | 22192151/0     | Kabelhållare       | Fairlead           |                  |
| 13        | 1              | 81008669/0     | Skruvsats          | Outfit, Screws     |                  |
| 17        | 1              | 22195101/4     | Kabelhållare       | Fairlead           |                  |

**COLLECTOR 39 EL**

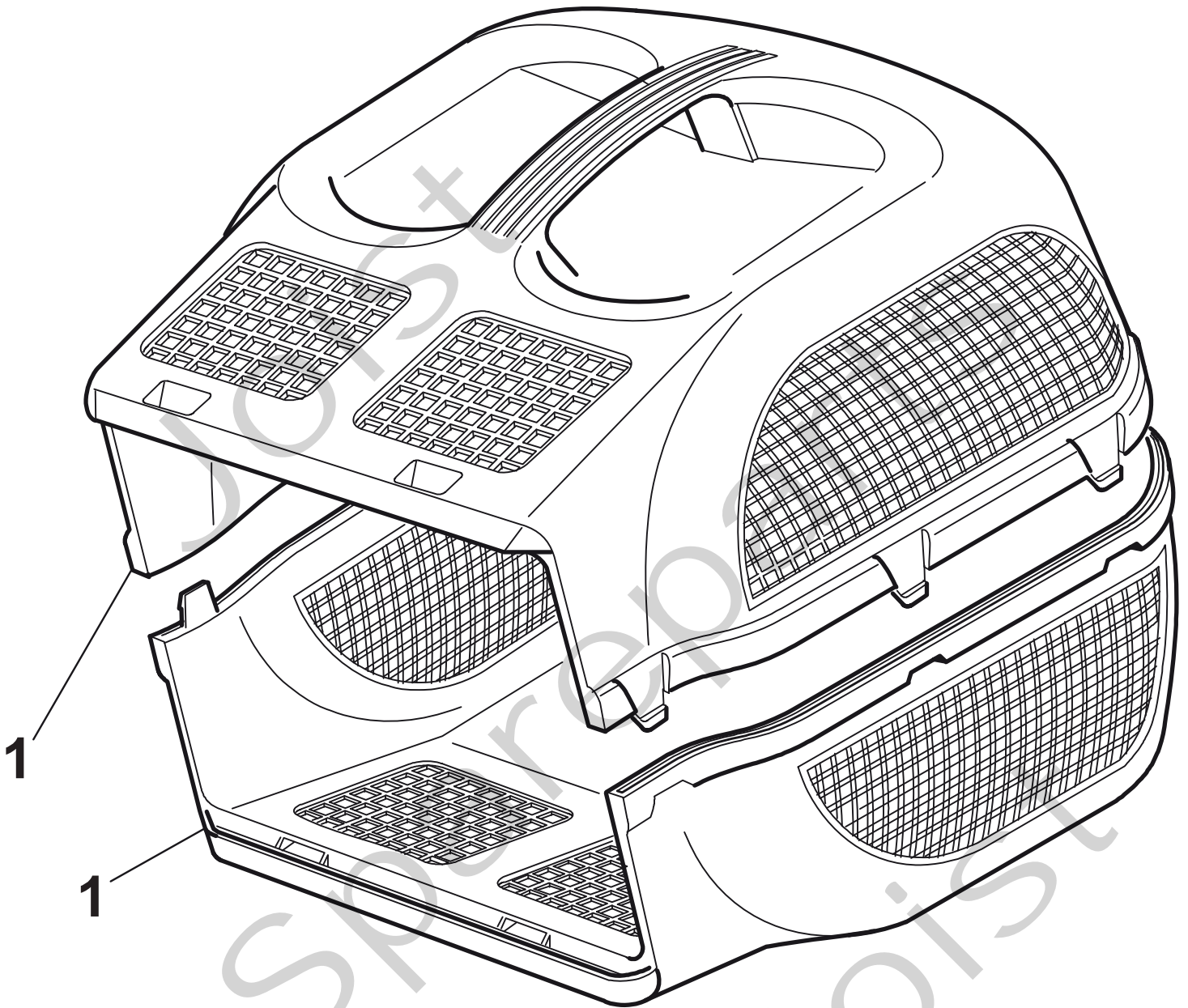




## COLLECTOR 39 EL

| Pos. Fig. | Antal Quantity | Art No Part No | Benämning | Description    | Anmärkning Notes |
|-----------|----------------|----------------|-----------|----------------|------------------|
| 1         | 1              | 22055050/2     | Motorkåpa | Support, Cover |                  |
| 2         | 1              | 12728450/0     | Skruv     | Screw          |                  |
| 3         | 1              | 22055064/1     | Motorkåpa | Cover          |                  |
| 4         | 1              | 12728680/0     | Skruv     | Screw          |                  |

COLLECTOR 39 EL







## COLLECTOR 39 EL

| Pos. Fig. | Antal Quantity | Art No Part No | Benämning        | Description                 | Anmärkning Notes |
|-----------|----------------|----------------|------------------|-----------------------------|------------------|
| 1         | 2              | 22486048/0     | Uppsamlare-halva | Grass-Box, Upper/Lower Part |                  |