

# Genuine Spare Parts

www.stiga.com

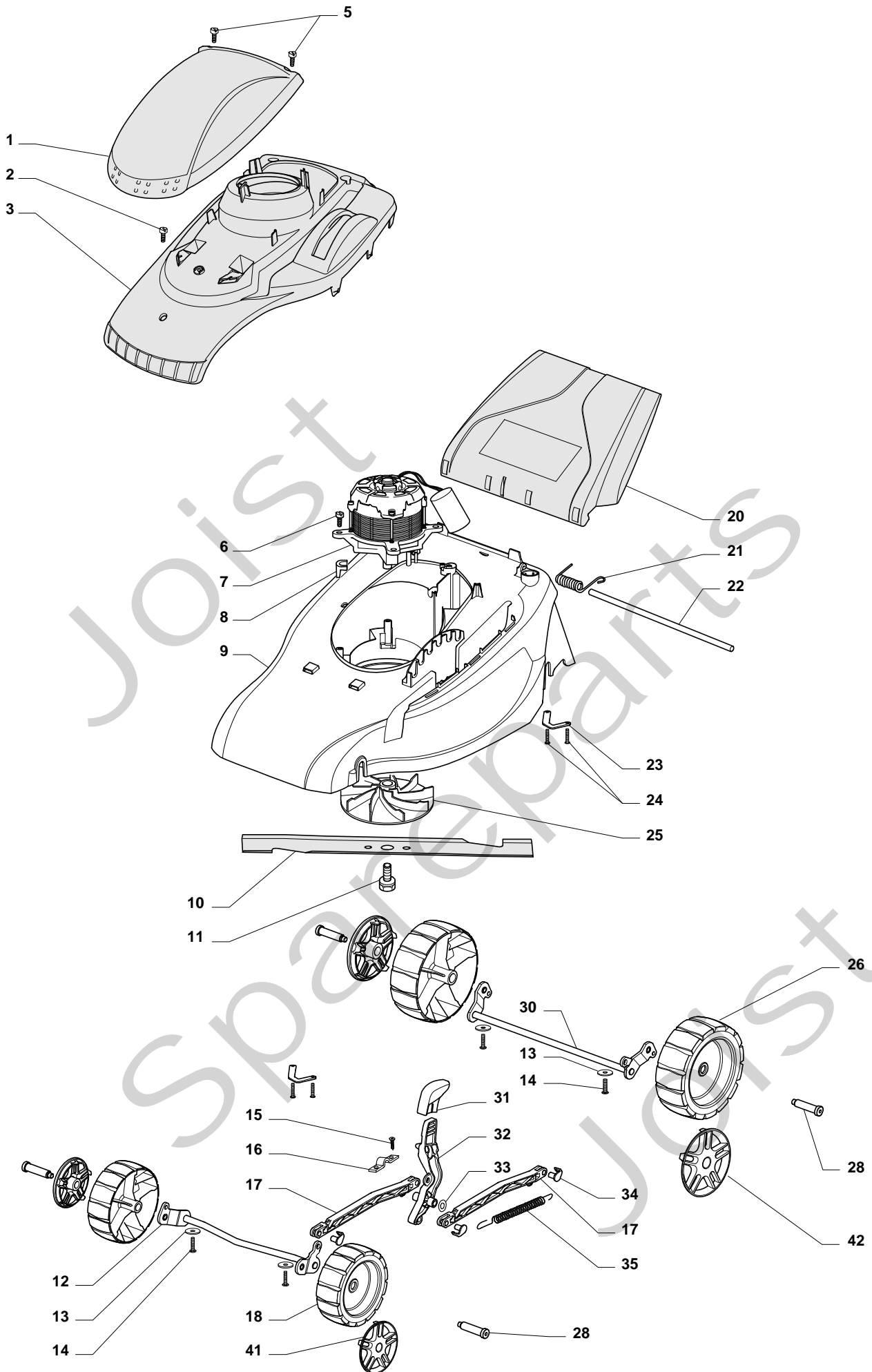
## TURBO 39 EL Model Year 2010

- Use GLOBAL GARDEN PRODUCT Genuine Spare Parts specified in the parts list for repair and/or replacement.
- The contents described in the parts list may change due to improvement.
- The drawings of the spare parts are only indicative and might not represent the part in question exactly.
- The indications "right" - "left" - "front" - "rear" refer to the position of the operator when using the machine.
- When placing orders of parts for repair and/or replacement, make sure that the illustrated parts list is the one applying to the machine's year of manufacture, as shown on the identification plate attached to the machine.

COPYRIGHT by GLOBAL GARDEN PRODUCTS

All rights reserved. No part of this material may be reproduced or transmitted, in any form or by any means, electronic or mechanical, including photocopying, recording or by any information storage and retrieval system, without permission in writing from GLOBAL GARDEN PRODUCTS.

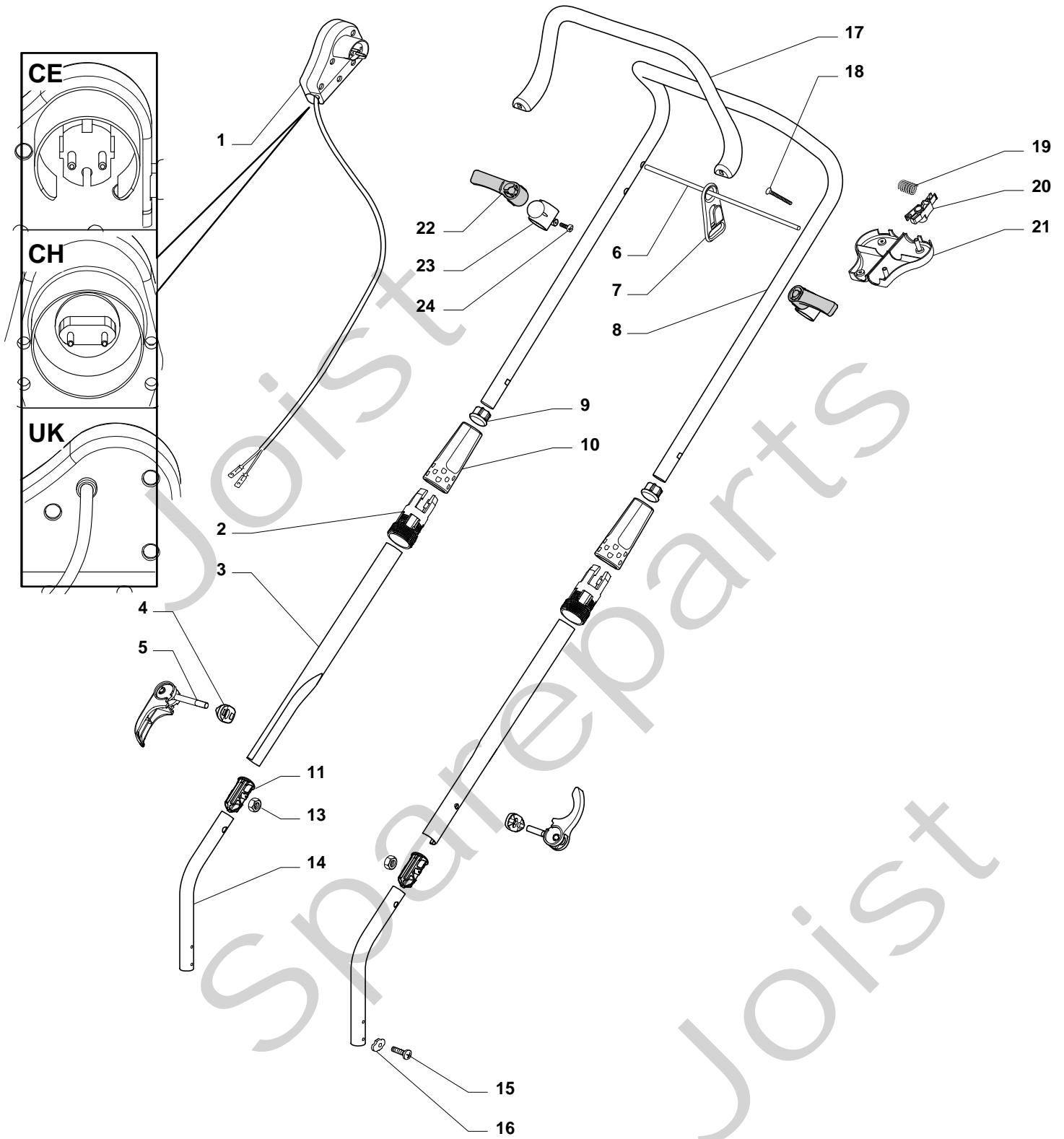






## TURBO 39 EL - Model Year 2010

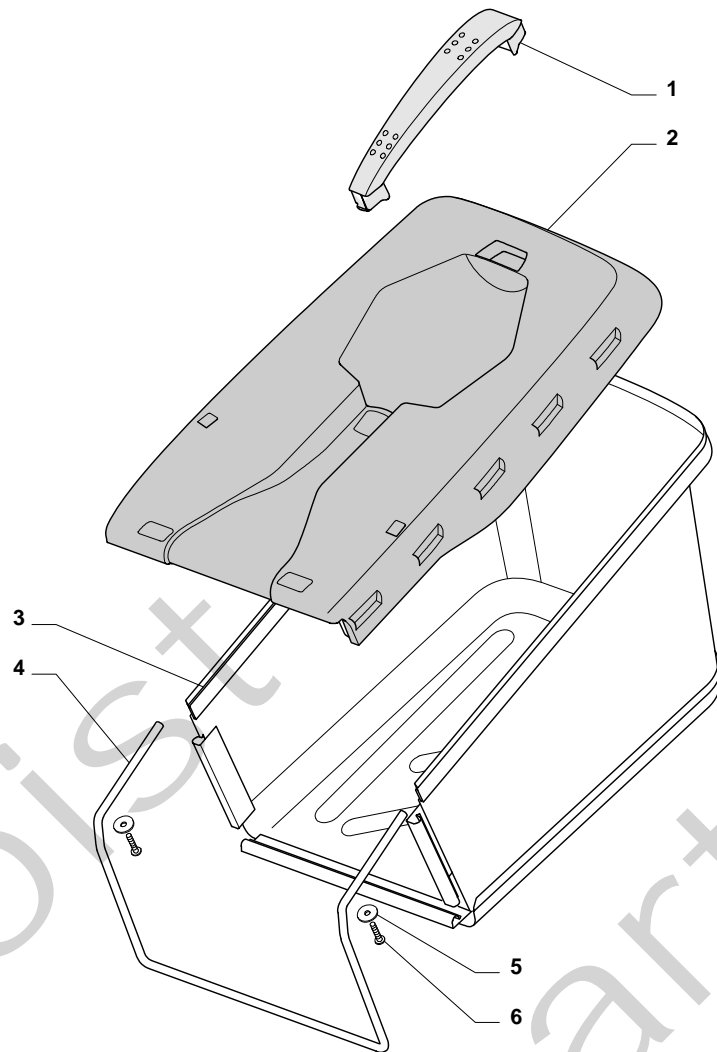
Pos. Fig.	Antal Quantity	Art No Part No	Benämning	Description	Anmärkning Notes
1	1	322055129/0	Kåpa	Cover Yellow	
2	1	12728124/0	Skruv	Screw	
3	1	322785254/0	Huvstöd-grå	Grey Support, Cover	
5	2	12728701/0	Skruv	Screw	
6	4	12735410/0	Skruv	Screw	
7	1	118563661/0	Elmotor	Motor	
8	4	22167700/0	Distans	Spacer	
9	1	322066722/0	Chassi	Deck Yellow	
10	1	81004142/0	Kniv	Blade	
11	1	81004352/0	Skruv	Screw	
12	1	381002855/0	Hjulaxel	Axle, Front Wheels	
13	4	12523050/0	Bricka	Washer	
14	4	112728705/0	Skruv	Screw	
15	2	12728701/0	Skruv	Screw	
16	1	25547049/0	Bygel	Plate	
17	2	322869669/0	Stång	Tie Rod	
18	2	322686094/0	Hjul	Wheel	
20	1	322600174/0	Lucka	Stone-Guard, Grey	
21	1	22450250/0	Fjäder	Spring	
22	1	22512601/0	Axel	Pin	
23	1	322545175/0	Platta	Plate	
24	2	12728701/0	Skruv	Screw	
25	1	322465602/1	Nav	Hub	
26	2	322686095/0	Hjul	Wheel	
28	4	22524337/0	Hjulbult	Pin	
30	1	381002857/0	Hjulaxel	Axle, Rear Wheels	
31	1	322399827/0	Knopp	Knob	
32	1	322321528/0	Höjdinställn.arm	Lever, Height Adjustment	
33	1	112520033/0	Bricka	Washer	
34	4	22524338/0	Bult	Pin	
35	2	122450425/0	Fjäder	Spring	
41	2	322110561/0	Navkapsel-grå	Hub Cap Grey	
42	2	322110562/0	Navkapsel-grå	Hub Cap Grey	





## TURBO 39 EL - Model Year 2010

Pos. Fig.	Antal Quantity	Art No Part No	Benämning	Description	Anmärkning Notes
1	1	381600503/2	Manöverdosa	Dead Hand Switch	
2	2	322245063/0	Ringmutter-inre	Ring Nut, Internal	
3	1	381006679/0	Styre-mellandel	Handle, Middle Part	
4	2	322680014/0	Bricka	Washer	
5	2	381003252/0	Handtagsspärr	Lever, Handle Blocking	
6	1	22010250/0	Stång	Rod, Fairlead Bearing	
7	1	22195101/4	Kabelhållare	Fairlead	
8	1	81006941/4	Styre-överdel	Handle, Upper Part	
9	2	22820066/1	Plugg	Cap	
10	2	322245062/0	Ringmutter-yttre	Ring Nut, External	
11	2	322820081/0	Plugg	Cap	
13	2	12293200/0	Mutter	Nut	
14	1	381006675/1	Styre-underdel	Handle, Lower Part	
15	2	12731600/1	Skruv	Screw	
16	2	22545135/0	Platta	Plate	
17	1	322322883/1	Reglagebygel	Lever, Motor Brake	
18	4	12728701/0	Skruv	Screw	
19	1	22450115/0	Fjäder	Spring	
20	1	322230350/1	Vridpunkt	Fulcrum Pin	
21	1	22785144/0	Hållare	Support	
22	2	322321530/0	Kabelhållarm	Coiler Cable, Lever	
23	2	322321531/0	Fäste	Coiler Cable, Base	
24	2	12728691/0	Skruv	Screw	

**TURBO 39 EL - Model Year 2010**


Pos. Fig.	Antal Quantity	Art No Part No	Benämning	Description	Anmärkning Notes
1	1	322393622/0	Handtag-gul	Handle, Yellow	
2	1	322486208/0	Uppsaml.-överdel, grå	Grassbox Upper Part, Grey	
3	1	181002273/0	Uppsamlings säck	Box, Fabric	
4	1	122608540/0	Trådbygel	Stiffening Lower	
5	2	112523030/0	Bricka	Washer	
6	2	112728705/0	Skruv	Screw	