

# Genuine Spare Parts

www.stiga.com

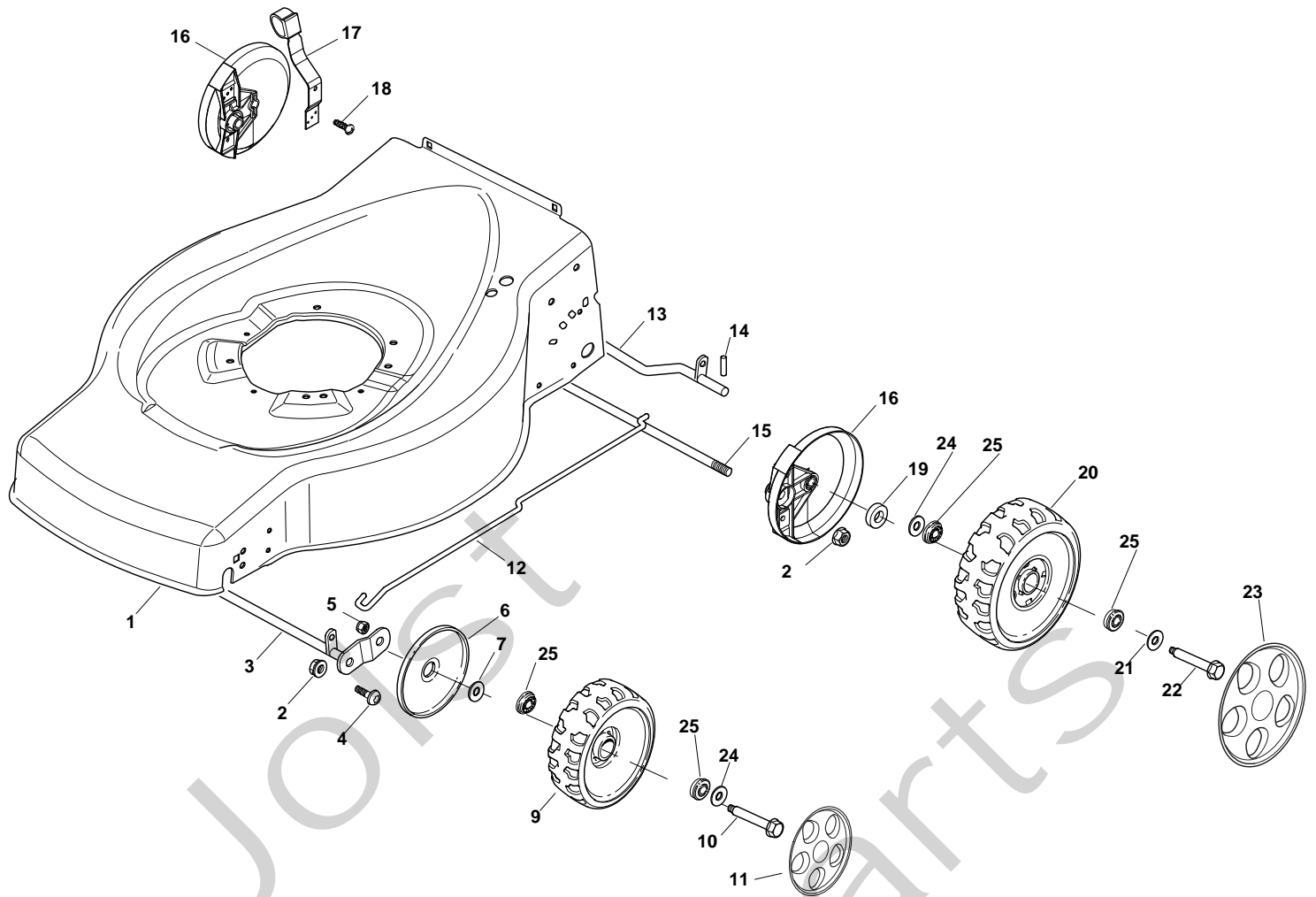
## COLLECTOR 46 EL Model Year 2010

- Use GLOBAL GARDEN PRODUCT Genuine Spare Parts specified in the parts list for repair and/or replacement.
- The contents described in the parts list may change due to improvement.
- The drawings of the spare parts are only indicative and might not represent the part in question exactly.
- The indications "right" - "left" - "front" - "rear" refer to the position of the operator when using the machine.
- When placing orders of parts for repair and/or replacement, make sure that the illustrated parts list is the one applying to the machine's year of manufacture, as shown on the identification plate attached to the machine.

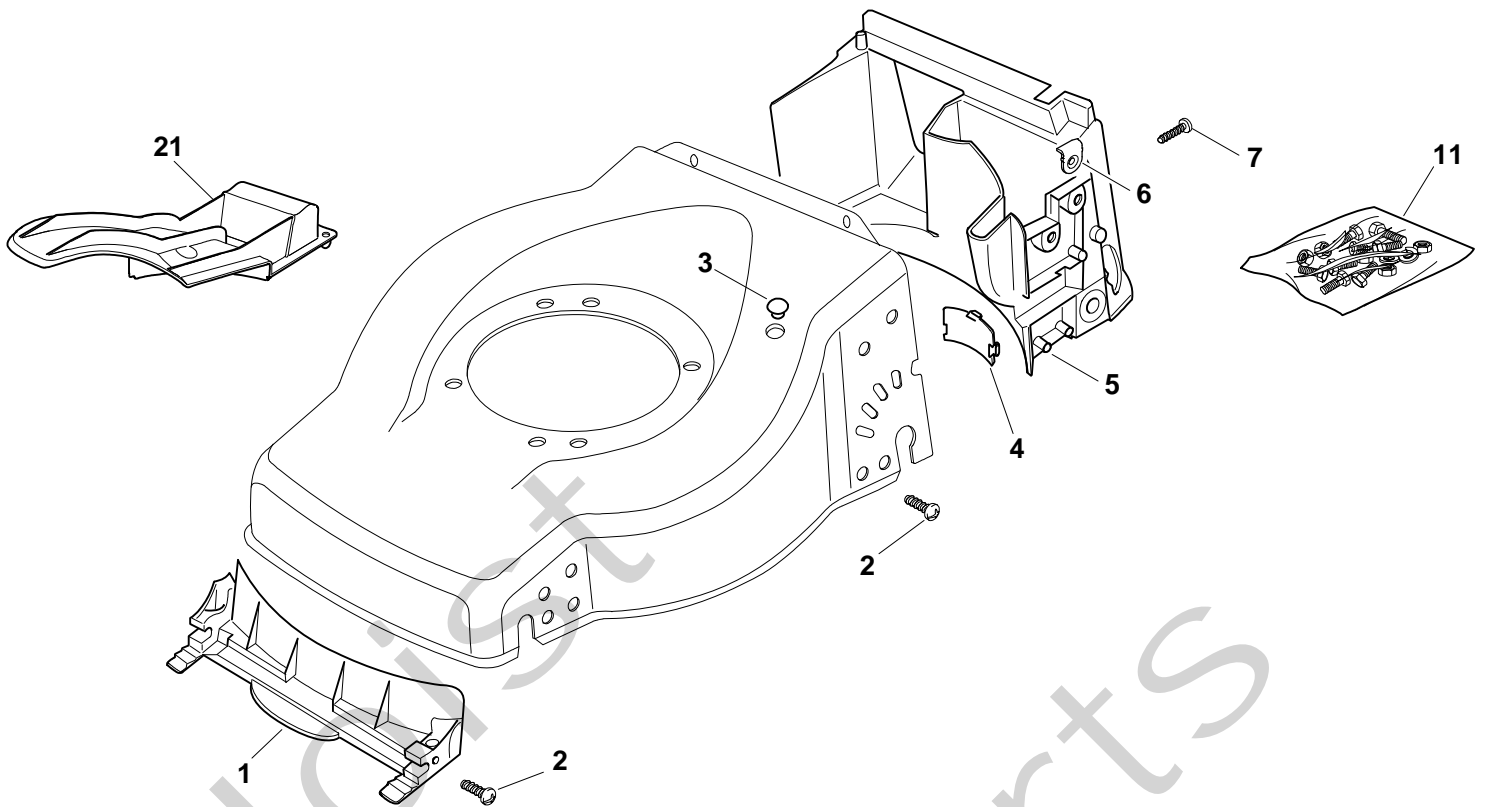
COPYRIGHT by GLOBAL GARDEN PRODUCTS

All rights reserved. No part of this material may be reproduced or transmitted, in any form or by any means, electronic or mechanical, including photocopying, recording or by any information storage and retrieval system, without permission in writing from GLOBAL GARDEN PRODUCTS.

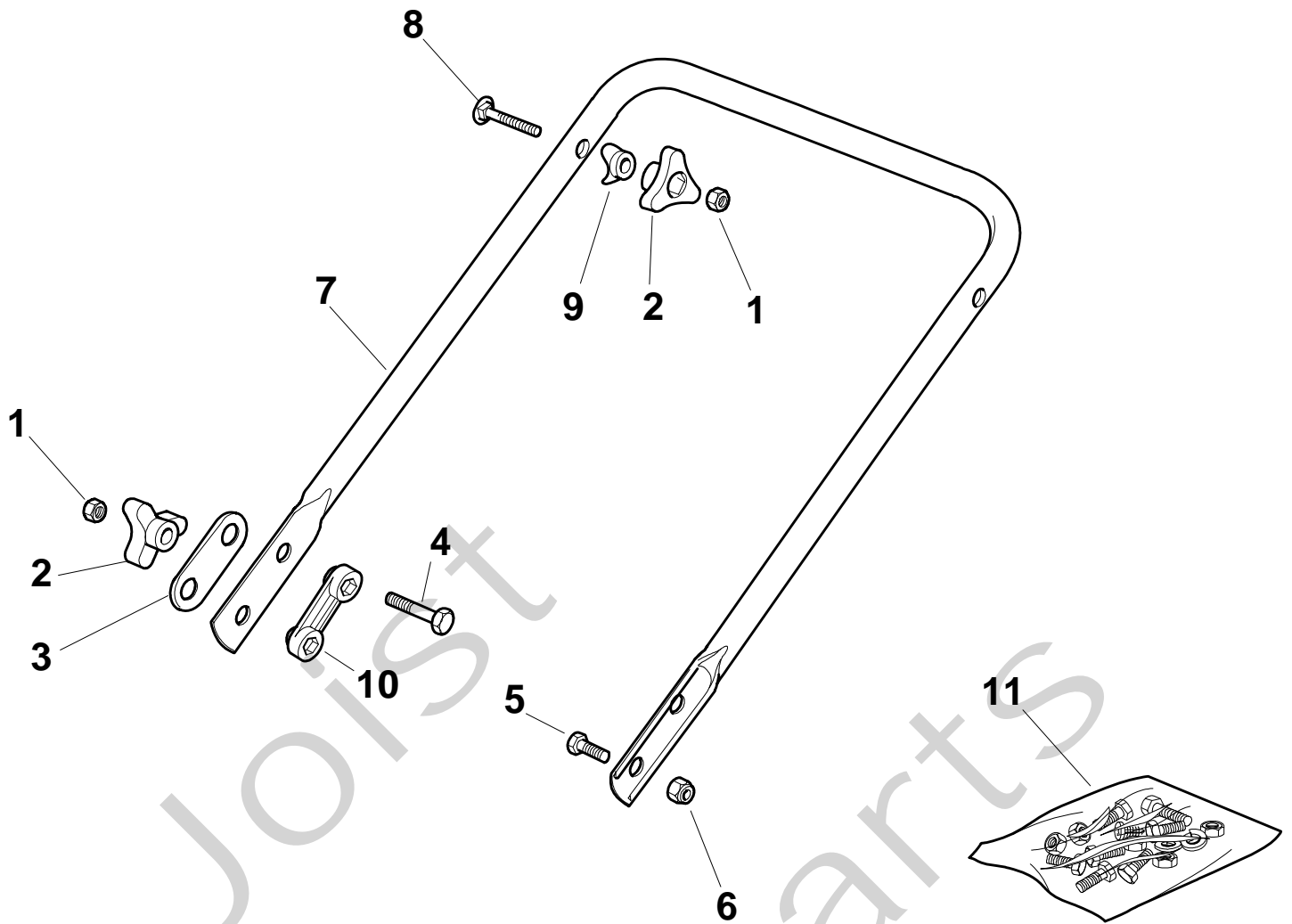


**COLLECTOR 46 EL - Model Year 2010**


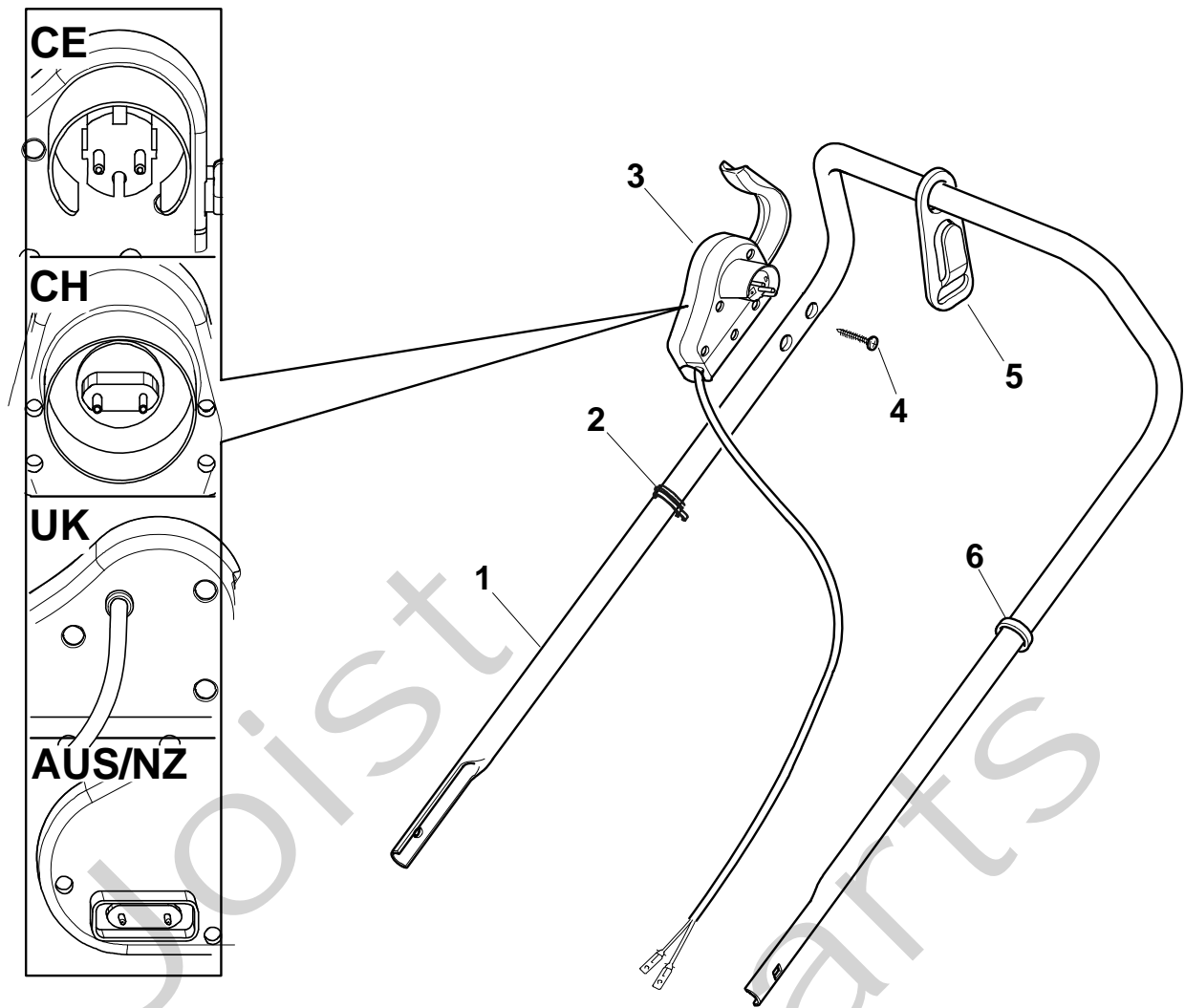
Pos. Fig.	Antal Quantity	Art No Part No	Benämning	Description	Anmärkning Notes
1	1	81002542/0	Chassi	Deck Yellow	
2	4	22131750/0	Mutter	Nut	
3	1	81000153/0	Hjulaxel	Axle, Front Wheels	
4	2	12760600/0	Skruv	Screw	
5	2	12155000/0	Mutter	Nut	
6	2	22600095/0	Hjulskydd	Protection	
7	2	25670011/0	Bricka	Washer	
9	2	22686091/1	Hjul	Wheel	
10	2	22524341/0	Hjulbult	Pin	
11	2	322110595/0	Navkapsel-gul	Hub Cap Yellow	
12	1	22033317/0	Justerstång	Adjustment Rod	
13	1	81000159/0	Hjulaxel	Axle, Rear Wheels	
14	2	22753001/0	Stift	Pin	
15	1	22033369/0	Hjulaxel	Axle, Rear Wheels	
16	2	22600106/1	Hjulskydd	Protection, Wheel	
17	1	81003303/0	Höjdställningsspak	Lever, Height Adjustment	
18	2	12728689/0	Skruv	Screw	
19	2	22170622/0	Distans	Spacer	
20	2	22686092/0	Hjul	Wheel	
21	2	12523050/0	Bricka	Washer	
22	2	12735599/0	Skruv	Screw	
23	2	322110621/0	Navkapsel-gul	Hub Cap Yellow	
24	4	22675100/0	Bricka	Washer	
25	8	22122200/0	Kullager	Bearing	



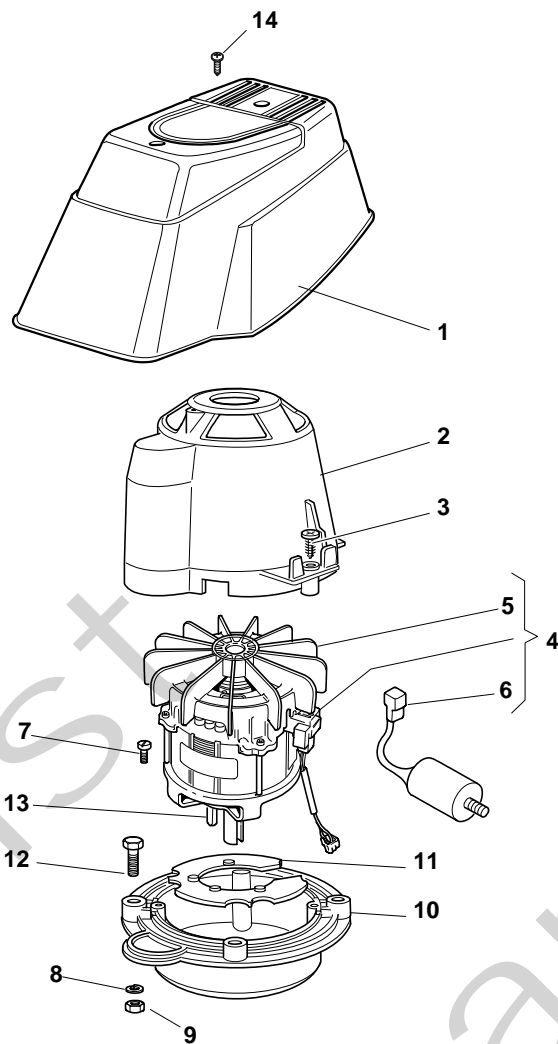
Pos. Fig.	Antal Quantity	Art No Part No	Benämning	Description	Anmärkning Notes
1	1	22108271/0	Ledplåt-främre	Front Conveyor Assy	
2	6	12728686/0	Skruv	Screw	
3	1	322820077/0	Plugg	Cap	
4	1	22109532/0	Lock	Cover	
5	1	22108272/2	Ledplåt-bakre	Rear Conveyor Assy	
6	4	322545189/0	Plåt	Plate	
7	2	12728686/0	Skruv	Screw	
11	1	81008649/0	Skruvsats	Outfit, Screws	
21	1	22140226/0	Mulchplugg	Deflector	

**COLLECTOR 46 EL - Model Year 2010**


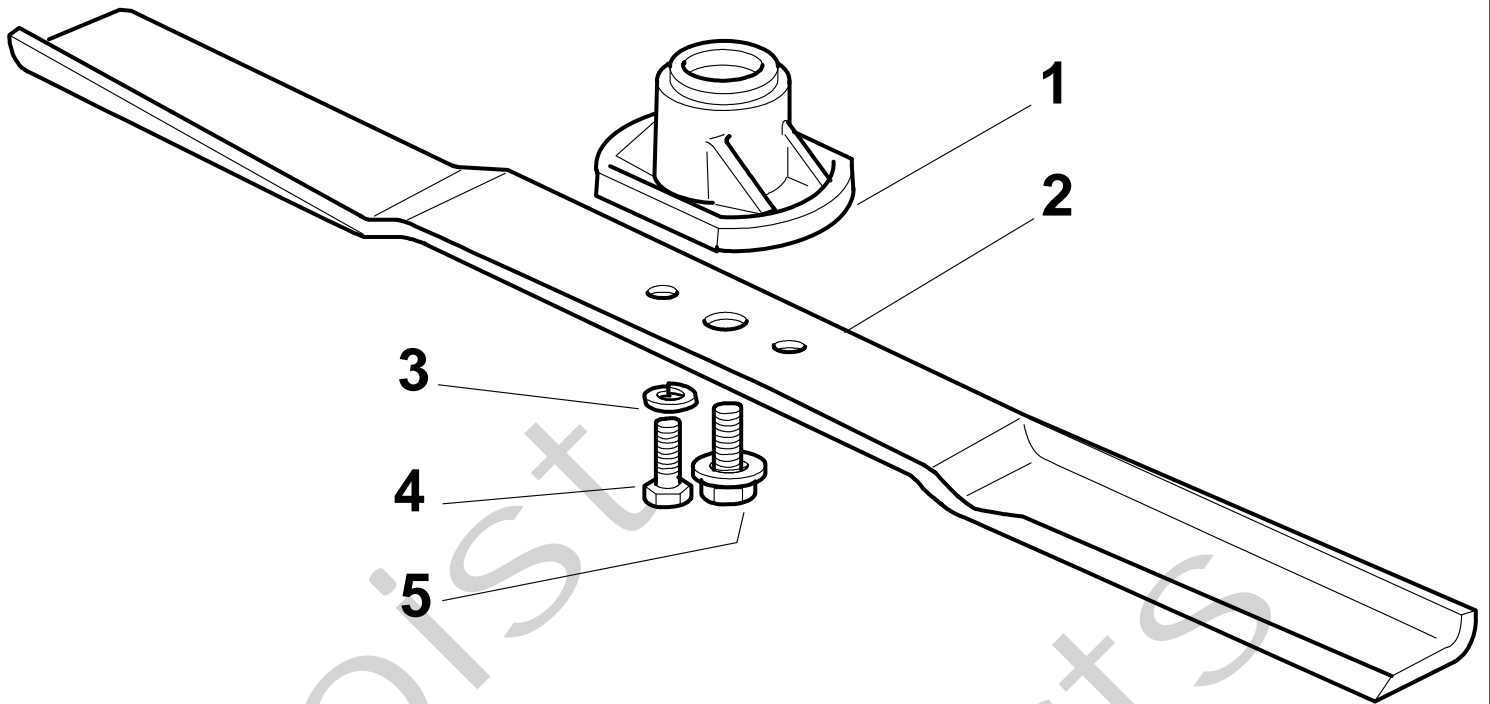
Pos. Fig.	Antal Quantity	Art No Part No	Benämning	Description	Anmärkning Notes
1	4	12293200/0	Mutter	Nut	
2	4	22399900/0	Knopp	Knob	
3	2	22551574/0	Plåt	Plate, Outside	
4	2	12691115/0	Skruv	Screw	
5	2	12793300/0	Skruv	Screw	
6	2	12155000/0	Mutter	Nut	
7	1	81006512/0	Styre-underdel	Handle, Lower Part	
8	2	12819201/0	Skruv	Screw	
9	2	22680006/1	Bricka	Washer	
10	2	22551575/0	Platta-inre	Plate, Inside	
11	1	81008596/1	Skruvsats	Outfit, Screws	



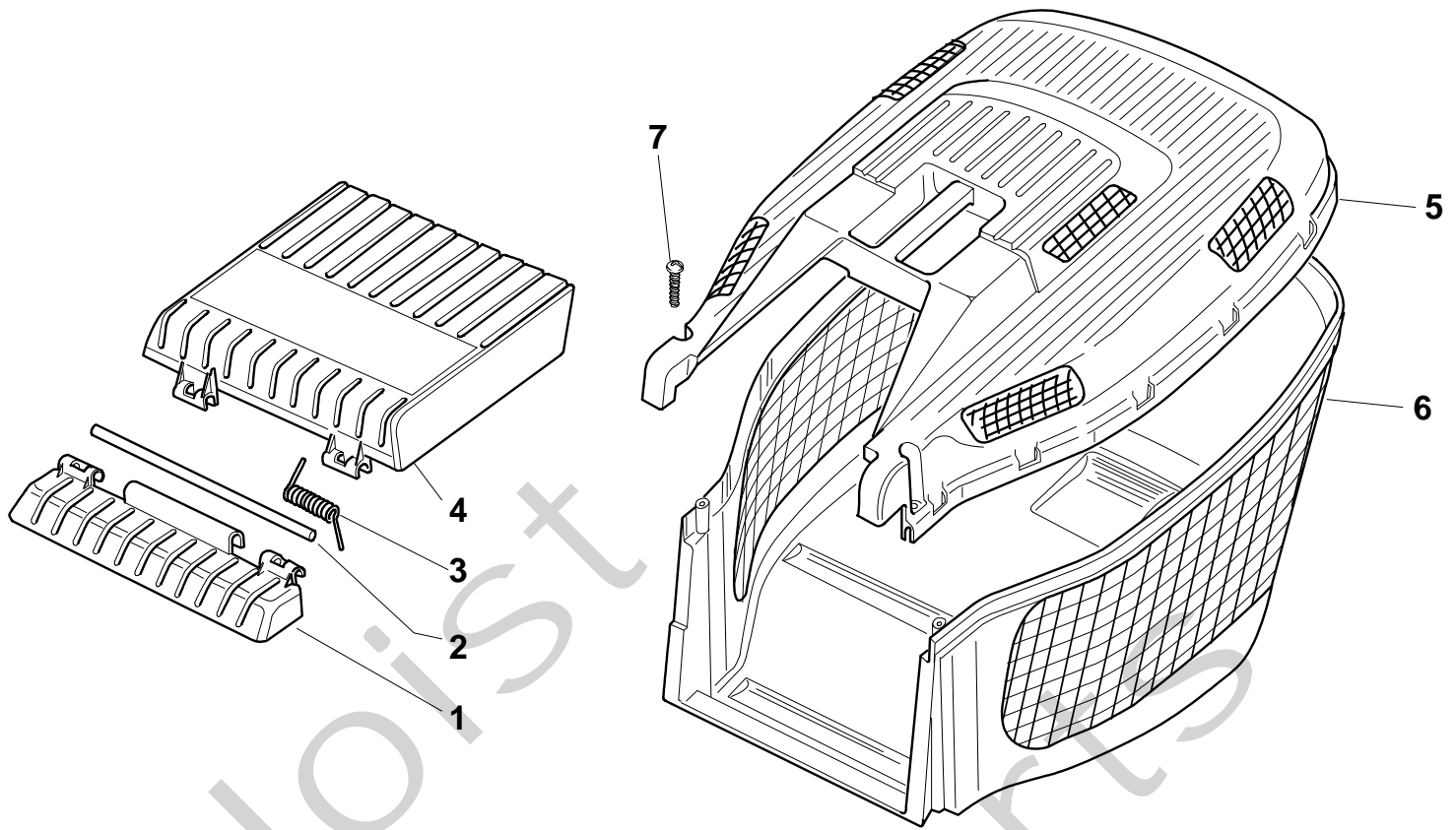
Pos. Fig.	Antal Quantity	Art No Part No	Benämning	Description	Anmärkning Notes
1	1	81007017/2	Styre-överdel	Handle, Upper Part	
2	2	22192000/1	Kabelhållare	Clamp	
3	1	18710628/0	Manöverdosa	Dead Hand Switch	
3	1	81600500/1	Manöverdosa	Dead Hand Switch	
3	1	81600501/1	Manöverdosa	Dead Hand Switch	
3	1	81600502/1	Manöverdosa	Dead Hand Switch	
4	2	12728701/0	Skruv	Screw	
5	1	22195101/4	Kabelhållare	Fairlead	
6	1	22192151/0	Kabelhållare	Anchor Clamp	

**COLLECTOR 46 EL - Model Year 2010**


Pos. Fig.	Antal Quantity	Art No Part No	Benämning	Description	Anmärkning Notes
1	1	322055139/0	Kåpa	Cover Yellow	
2	1	22785210/0	Kåpstöd	Support, Cover	
3	4	12728710/0	Skruv	Screw	
4	1	118563665/0	Elmotor	Motor Leo	
4	1	18563605/0	Elmotor	Motor Atb	
4	1	18563607/0	Elmotor	Motor Atb	
5	1	18740054/0	Fläkt	Fan Motor Atb	
6	1	18222045/0	Kondensator	Condenser 16 µf	
7	4	12735410/0	Skruv	Screw	
8	4	12583500/0	Låsbricka	Grower	
9	4	12293200/0	Mutter	Nut	
10	1	322207211/4	Fläns	Flange	
11	1	322720360/2	Ventilationsskärm	Ventilation Screen	
12	4	12793700/0	Skruv	Screw	
13	1	12139440/0	Kil	Feather	
14	2	12728680/0	Skruv	Screw	



Pos. Fig.	Antal Quantity	Art No Part No	Benämning	Description	Anmärkning Notes
1	1	322463186/3	Nav	Hub	
2	1	81004365/3	Kniv	Blade Standard	
3	2	12583500/0	Låsbricka	Grower	
4	2	12793101/0	Skruv	Screw	
5	1	81004352/0	Skruv	Screw	



Pos. Fig.	Antal Quantity	Art No Part No	Benämning	Description	Anmärkning Notes
1	1	22785136/1	Fäste	Support	
2	1	22517858/0	Axel	Pin	
3	1	22450431/0	Fjäder	Spring	
4	1	322600100/1	Lucka	Stone-Guard	
5	1	22486121/0	Uppsamlare-överdel	Grassbox Upper	
6	1	22486128/0	Uppsamlare-underdel	Grassbox Lower Part	
7	2	12728686/0	Skruv	Screw	