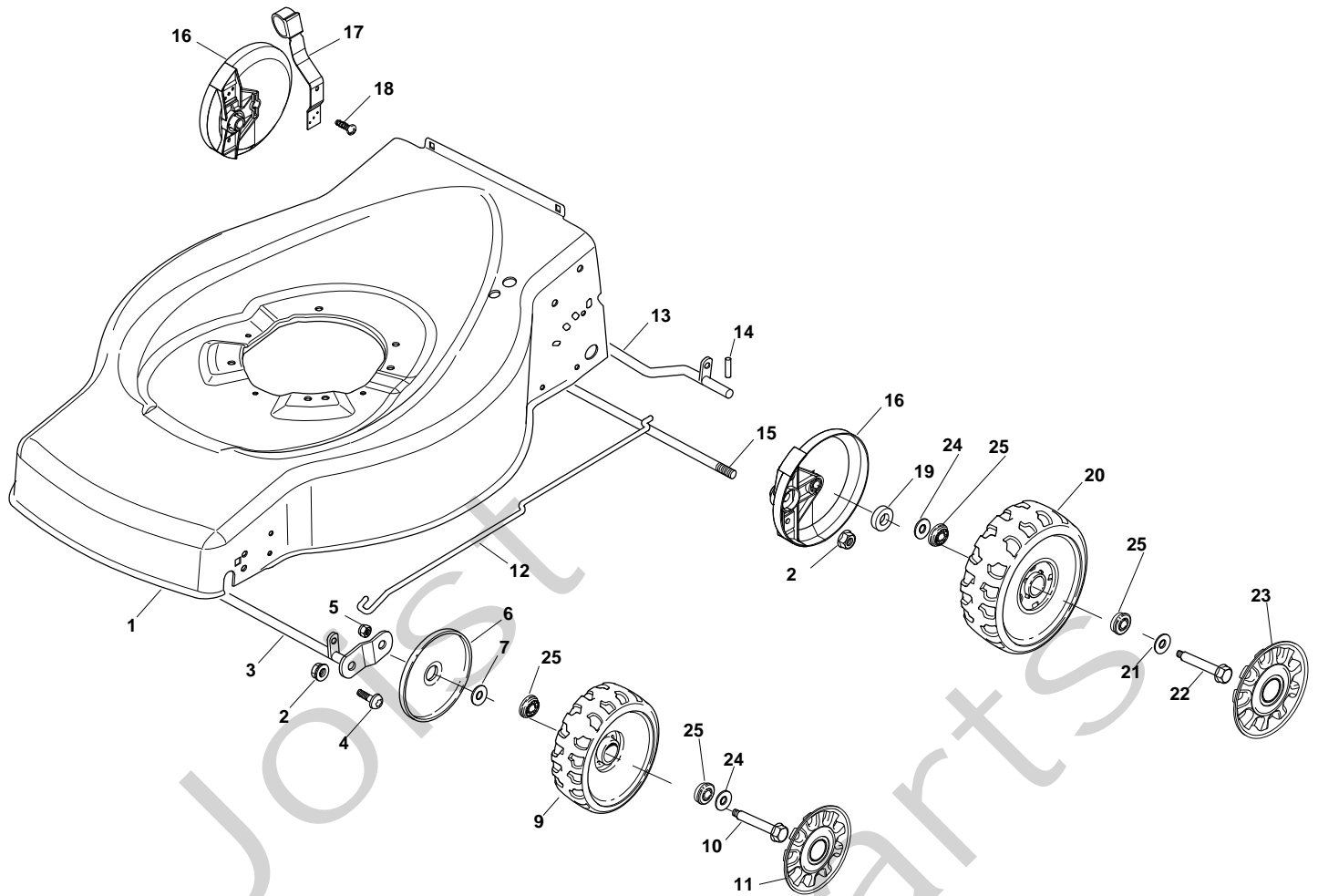


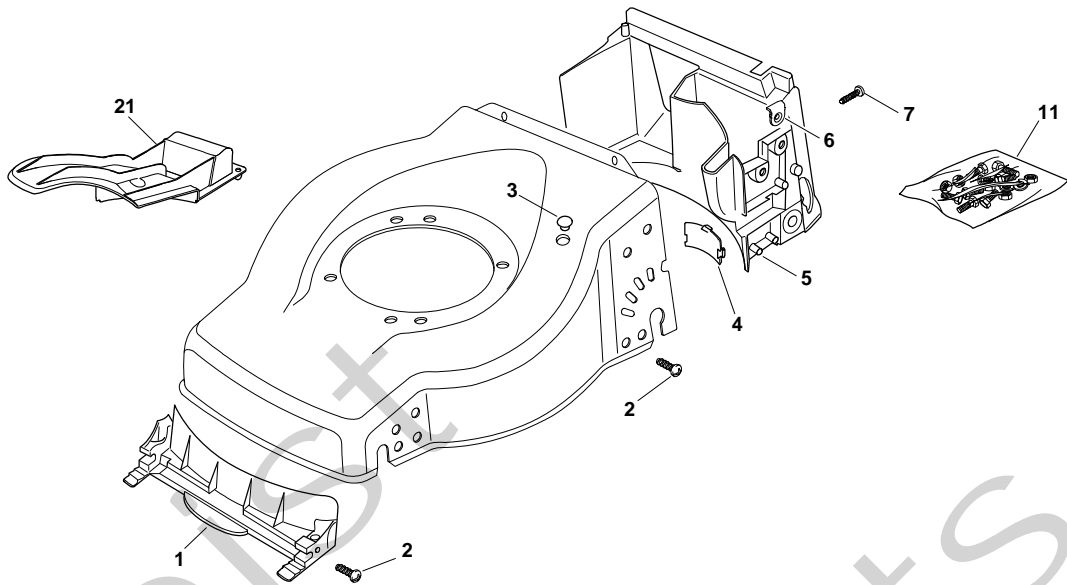
Genuine Spare Parts

**COLLECTOR 46
EL**

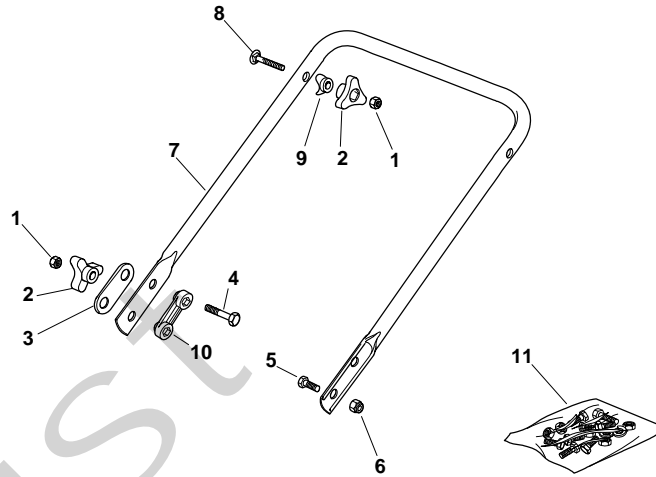


COLLECTOR 46 EL - Model Year 2009


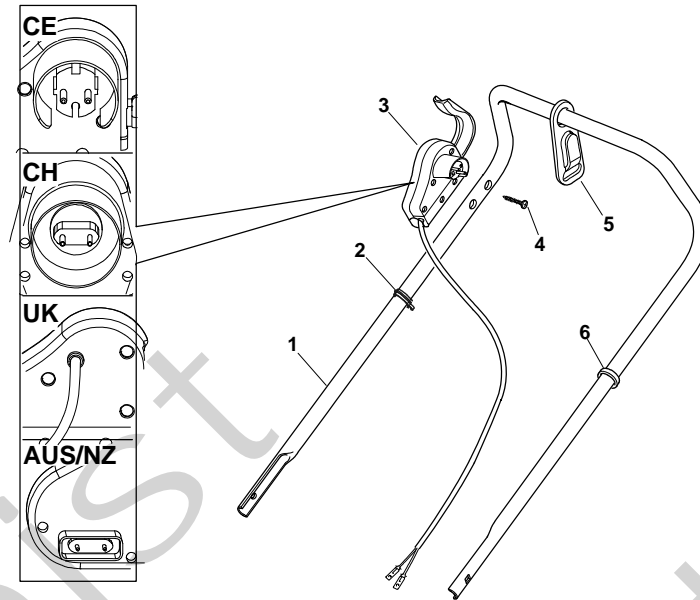
Pos. Fig.	Antal Quantity	Art No Part No	Benämning	Description	Anmärkning Notes
1	1	81002542/0	Chassi	Deck Yellow	
2	4	22131750/0	Mutter	Nut	
3	1	81000153/0	Hjulaxel	Axle, Front Wheels	
4	2	12760600/0	Skruv	Screw	
5	2	12155000/0	Mutter	Nut	
6	2	22600095/0	Hjulskydd	Protection	
7	2	25670011/0	Bricka	Washer	
9	2	22686091/1	Hjul	Wheel	
10	2	22524341/0	Hjulbult	Pin	
11	2	322110593/0	Navkapsel	Hub Cap	
12	1	22033317/0	Justerstäng	Adjustment Rod	
13	1	81000159/0	Hjulaxel	Axle, Rear Wheels	
14	2	22753001/0	Stift	Pin	
15	1	22033369/0	Hjulaxel	Axle, Rear Wheels	
16	2	22600106/1	Hjulskydd	Protection, Wheel	
17	1	81003303/0	Höjdställningsspak	Lever, Height Adjustment	
18	2	12728689/0	Skruv	Screw	
19	2	22170622/0	Distans	Spacer	
20	2	22686092/0	Hjul	Wheel	
21	2	12523050/0	Bricka	Washer	
22	2	12735599/0	Skruv	Screw	
23	2	322110594/0	Navkapsel	Hub Cap	
24	4	22675100/0	Bricka	Washer	
25	8	22122200/0	Kullager	Bearing	



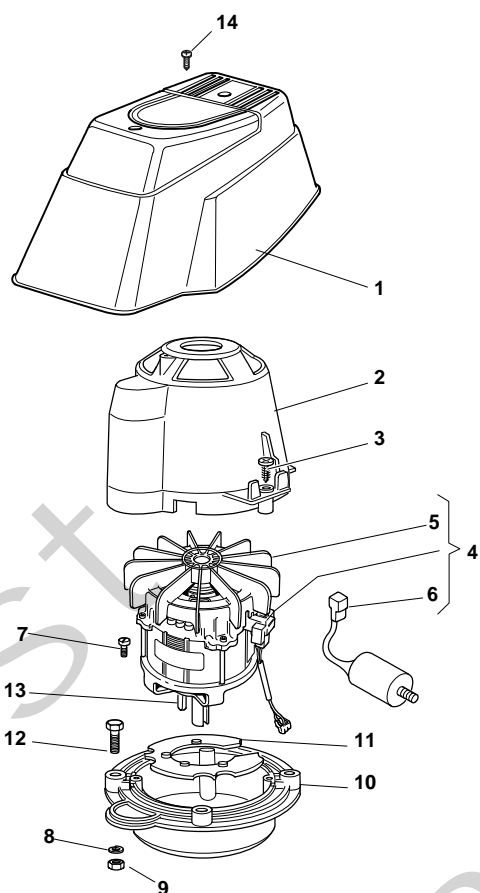
Pos. Fig.	Antal Quantity	Art No Part No	Benämning	Description	Anmärkning Notes
1	1	22108271/0	Ledplåt-främre	Front Conveyor Assy	
2	6	12728686/0	Skruv	Screw	
3	1	322820077/0	Plugg	Cap	
4	1	22109532/0	Lås	Cover	
5	1	22108272/2	Ledplåt-bakre	Rear Conveyor Assy	
6	4	322545189/0	Plåt	Plate	
7	2	12728686/0	Skruv	Screw	
8	1	22785136/1	Fäste	Support	
11	1	81008649/0	Skruvsats	Outfit, Screws	
21	1	22140226/0	Mulchplugg	Deflector	



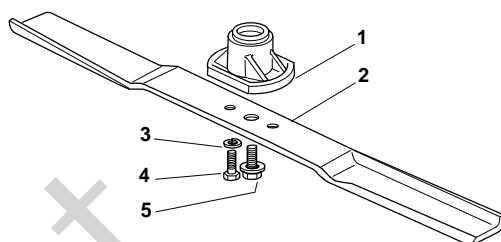
Pos. Fig.	Antal Quantity	Art No Part No	Benämning	Description	Anmärkning Notes
1	4	12293200/0	Mutter	Nut	
2	4	22399900/0	Knopp	Knob	
3	2	22551574/0	Plåt	Plate, Outside	
4	2	12691115/0	Skruv	Screw	
5	2	12793300/0	Skruv	Screw	
6	2	12155000/0	Mutter	Nut	
7	1	81006512/0	Styre-underdel	Handle, Lower Part	
8	2	12819201/0	Skruv	Screw	
9	2	22680006/1	Bricka	Washer	
10	2	22551575/0	Platta-inre	Plate, Inside	
11	1	81008596/1	Skrivsats	Outfit, Screws	



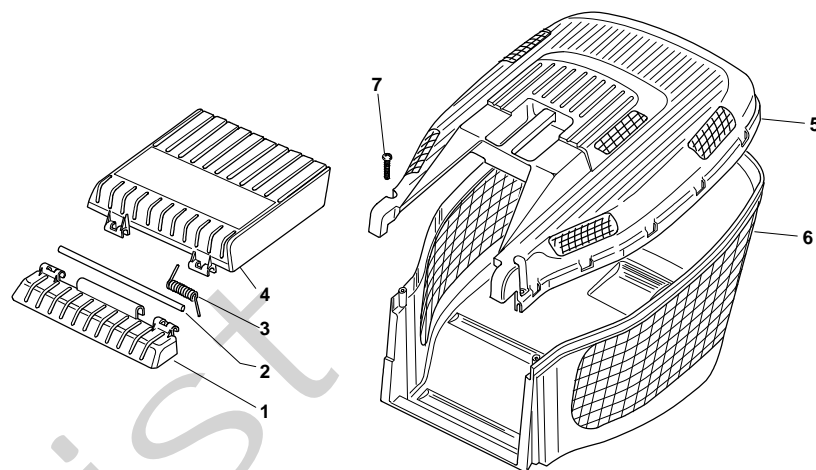
Pos. Fig.	Antal Quantity	Art No Part No	Benämning	Description	Anmärkning Notes
1	1	81007017/2	Styre-överdel	Handle, Upper Part	
2	2	22192000/1	Kabelhållare	Clamp	
3	1	18710628/0	Manöverdosa	Dead Hand Switch	
3	1	81600500/1	Manöverdosa	Dead Hand Switch	
3	1	81600501/1	Manöverdosa	Dead Hand Switch	
3	1	81600502/1	Manöverdosa	Dead Hand Switch	
4	2	12728701/0	Skruv	Screw	
5	1	22195101/4	Kabelhållare	Fairlead	
6	1	22192151/0	Kabelhållare	Anchor Clamp	



Pos. Fig.	Antal Quantity	Art No Part No	Benämning	Description	Anmärkning Notes
1	1	22055045/1	Motorkåpa	Cover	
2	1	22785210/0	Kåpstöd	Support, Cover	
3	4	12728710/0	Skruv	Screw	
4	1	118563665/0	Elmotor	Motor Leo	
4	1	18563605/0	Elmotor	Motor Atb	
4	1	18563607/0	Elmotor	Motor Atb	
5	1	18740054/0	Fläkt	Fan Motor Atb	
6	1	18222045/0	Kondensator	Condenser 16 µf	
7	4	12735410/0	Skruv	Screw	
8	4	12583500/0	Låsbricka	Grower	
9	4	12293200/0	Mutter	Nut	
10	1	322207211/4	Fläns	Flange	
11	1	322720360/2	Ventilationsskärm	Ventilation Screen	
12	4	12793700/0	Skruv	Screw	
13	1	12139440/0	Kil	Feather	
14	2	12728680/0	Skruv	Screw	



Pos. Fig.	Antal Quantity	Art No Part No	Benämning	Description	Anmärkning Notes
1	1	322463186/3	Nav	Hub	
2	1	81004365/3	Kniv	Blade Standard	
3	2	12583500/0	Låsbricka	Grower	
4	2	12793101/0	Skruv	Screw	
5	1	81004352/0	Skruv	Screw	



Pos. Fig.	Antal Quantity	Art No Part No	Benämning	Description	Anmärkning Notes
1	1	22785136/1	Fäste	Support	
2	1	22517858/0	Axel	Pin	
3	1	22450431/0	Fjäder	Spring	
4	1	322600099/1	Lucka	Stone-Guard	
5	1	22486122/0	Uppsamlare-överdel	Grassbox Upper Part	
6	1	22486128/0	Uppsamlare-underdel	Grassbox Lower Part	
7	2	12728686/0	Skruv	Screw	