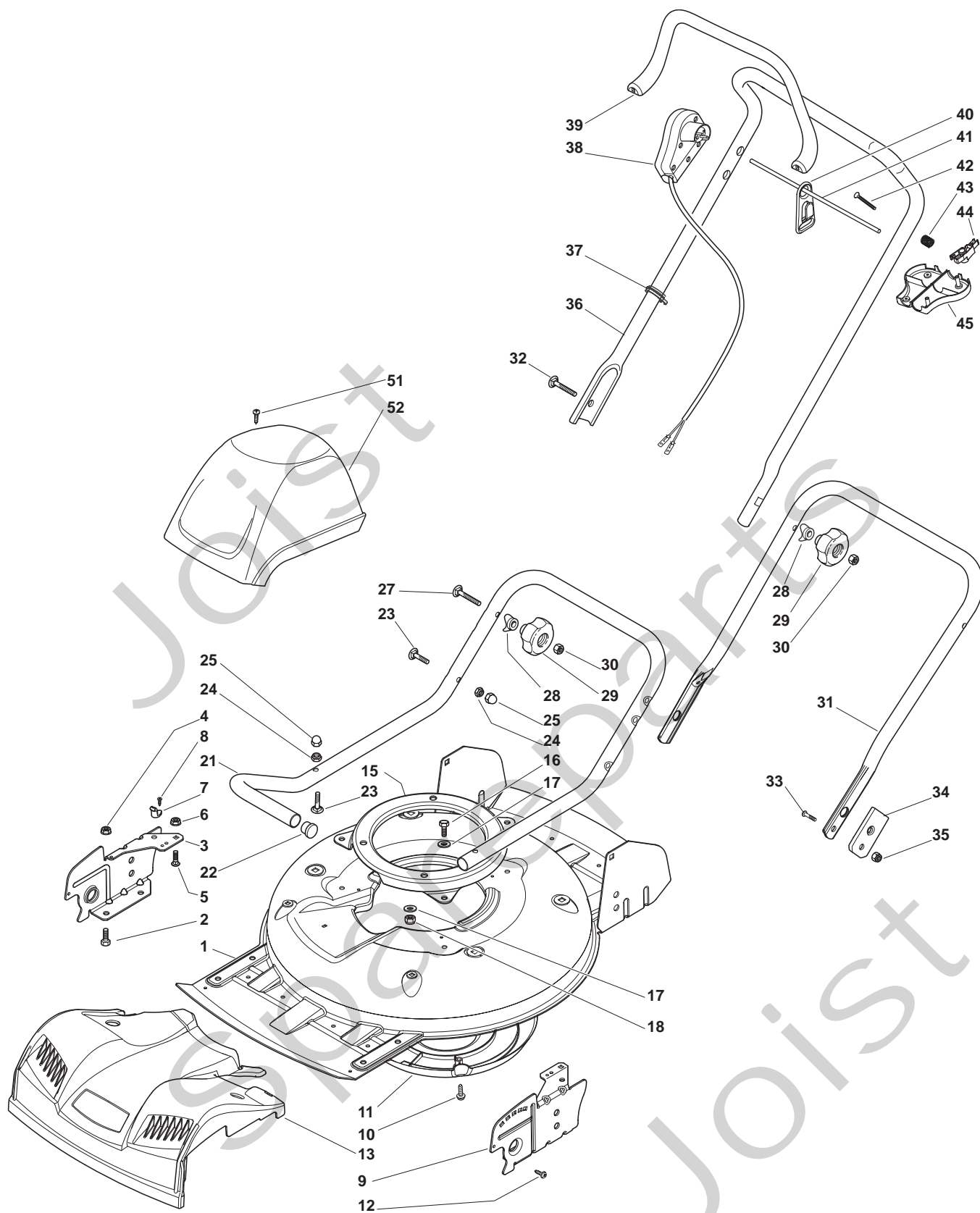


# Genuine Spare Parts

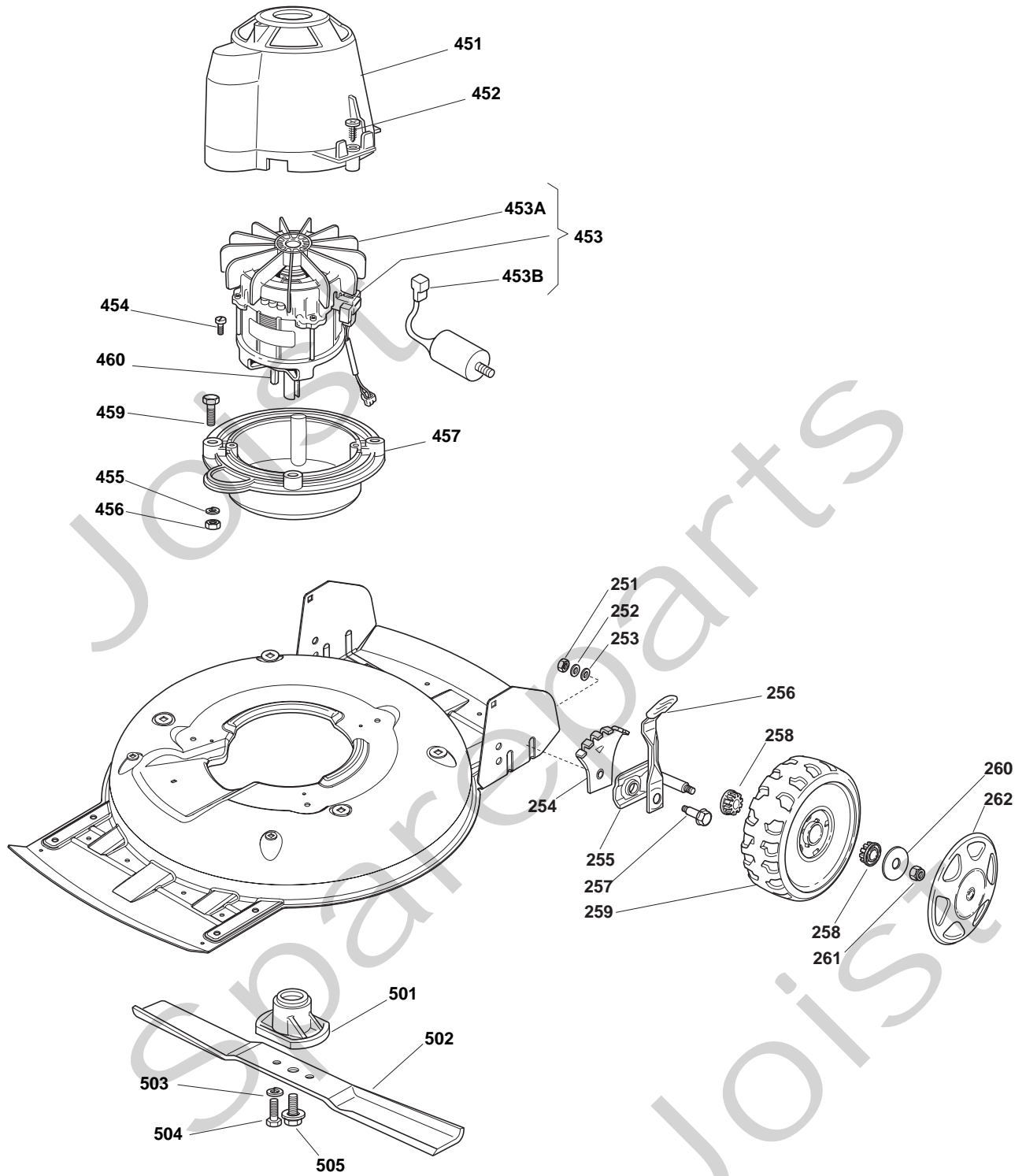
---



Joist  
Spareparts  
Joist



| Utgåva<br>Issue<br>2008- 12 |                | Bildnr<br>Picture No<br>2092A |  | MULTICLIP 50 EL SVAN<br>CHASSI<br>STYRE |                   | MULTICLIP 50 EL SVAN<br>CHASSIS<br>HANDLE |                             | Sida<br>Page<br>6 |                     |
|-----------------------------|----------------|-------------------------------|--|---|-------------------|---|-----------------------------|-------------------|---------------------|
| Pos.<br>Fig.                | Antal/Quantity |                               |  |   | Art nr<br>Part No | Benämning                                 | Description                 | Sats<br>Kit       | Anmärkning<br>Notes |
|                             | 5266<br>-23    |                               |  |   |                   |   |                             |                   |                     |
| 1                           | 1              |                               |  |   | 81002907/1        | Chassi- gul.....                          | Chassis- yellow .....       |                   |                     |
| 2                           | 4              |                               |  |   | 12792611/0        | Skruv .....                               | Screw .....                 |                   |                     |
| 3                           | 1              |                               |  |   | 22778419/0        | Fäste- hö.....                            | Bracket- RH .....           |                   |                     |
| 4                           | 4              |                               |  |   | 12293201/0        | Mutter.....                               | Nut .....                   |                   |                     |
| 5                           | 2              |                               |  |   | 12815200/0        | Skruv.....                                | Screw.....                  |                   |                     |
| 6                           | 2              |                               |  |   | 12292102/0        | Mutter.....                               | Nut.....                    |                   |                     |
| 7                           | 2              |                               |  |   | 22020400/0        | Hållare .....                             | Fairlead .....              |                   |                     |
| 8                           | 2              |                               |  |   | 12728523/0        | Skruv .....                               | Screw .....                 |                   |                     |
| 9                           | 1              |                               |  |   | 22778421/0        | Fäste- vä .....                           | Bracket- LH .....           |                   |                     |
| 10                          | 3              |                               |  |   | 12728530/0        | Skruv.....                                | Screw.....                  |                   |                     |
| 11                          | 1              |                               |  |   | 22060220/0        | Skydd .....                               | Protection .....            |                   |                     |
| 12                          | 2              |                               |  |   | 12728450/0        | Skruv.....                                | Screw.....                  |                   |                     |
| 13                          | 1              |                               |  |   | 22226097/0        | Frontkåpa- gul.....                       | Front cover- yellow.....    |                   |                     |
| X 15                        | 1              |                               |  |   | 322207219/1       | Fläns .....                               | Flange .....                |                   |                     |
| 16                          | 3              |                               |  |   | 12792611/0        | Skruv .....                               | Screw .....                 |                   |                     |
| 17                          | 6              |                               |  |   | 12523060/0        | Bricka .....                              | Washer.....                 |                   |                     |
| 18                          | 3              |                               |  |   | 12293201/0        | Mutter.....                               | Nut .....                   |                   |                     |
| 21                          | 1              |                               |  |   | 81006667/0        | Styre- underdel .....                     | Handle- lower .....         |                   |                     |
| 22                          | 2              |                               |  |   | 18566110/0        | Plugg .....                               | Cap.....                    |                   |                     |
| 23                          | 4              |                               |  |   | 12818900/0        | Skruv .....                               | Screw.....                  |                   |                     |
| 24                          | 4              |                               |  |   | 12155000/0        | Mutter.....                               | Nut .....                   |                   |                     |
| 25                          | 4              |                               |  |   | 18203854/0        | Mutterhatt.....                           | Nut cap .....               |                   |                     |
| 27                          | 2              |                               |  |   | 12819202/0        | Skruv .....                               | Screw .....                 |                   |                     |
| X 28                        | 4              |                               |  |   | 22680006/1        | Bricka .....                              | Washer.....                 |                   |                     |
| X 29                        | 4              |                               |  |   | 322399804/1       | Låsraff .....                             | Locking knob .....          |                   |                     |
| 30                          | 4              |                               |  |   | 12293200/0        | Mutter.....                               | Nut .....                   |                   |                     |
| 31                          | 1              |                               |  |   | 81006669/0        | Styre- mellandel.....                     | Handle- middle.....         |                   |                     |
| 32                          | 2              |                               |  |   | 12819201/0        | Skruv .....                               | Screw.....                  |                   |                     |
| 33                          | 2              |                               |  |   | 12760475/0        | Skruv .....                               | Screw.....                  |                   |                     |
| 34                          | 2              |                               |  |   | 22551578/0        | Platta .....                              | Plate .....                 |                   |                     |
| 35                          | 2              |                               |  |   | 12154330/0        | Mutter.....                               | Nut .....                   |                   |                     |
| 36                          | 1              |                               |  |   | 81007017/2        | Styre- överdel .....                      | Handle- upper.....          |                   |                     |
| X 37                        | 2              |                               |  |   | 22192000/1        | Kabelhållare .....                        | Anchor clamp.....           |                   |                     |
| X 38                        | 1              |                               |  |   | 381600503/2       | Manöverdosa.....                          | Dead hand switch.....       |                   |                     |
| 39                          | 1              |                               |  |   | 22322885/0        | Reglagebygel- gul .....                   | Control lever- yellow ..... |                   |                     |
| 40                          | 1              |                               |  |   | 22195101/4        | Dragavlastare.....                        | Fairlead .....              |                   |                     |
| 41                          | 1              |                               |  |   | 22010251/0        | Stång .....                               | Rod .....                   |                   |                     |
| 42                          | 4              |                               |  |   | 12728685/0        | Skruv .....                               | Screw.....                  |                   |                     |
| 43                          | 1              |                               |  |   | 22450115/0        | Fjäder.....                               | Spring.....                 |                   |                     |
| X 44                        | 1              |                               |  |   | 322230350/1       | Vridpunkt.....                            | Fulcrum pin.....            |                   |                     |
| 45                          | 1              |                               |  |   | 22785144/0        | Hållare .....                             | Support.....                |                   |                     |
| 51                          | 2              |                               |  |   | 12728680/0        | Skruv .....                               | Screw.....                  |                   |                     |
| 52                          | 1              |                               |  |   | 81002060/0        | Motorkåpa .....                           | Motor cover .....           |                   |                     |



| Utgåva<br>Issue |                | Bildnr<br>Picture No |  | MULTICLIP 50 EL SVAN<br>HJULUPPHÄNGNING<br>MOTOR |                         | MULTICLIP 50 EL SVAN<br>WHEEL SUSPENSION<br>MOTOR |             | Sida<br>Page          |                     |
|-----------------|----------------|----------------------|--|--|-------------------------|---|-------------|-----------------------|---------------------|
| 2008- 12        |                | 2093A                |  |  |                         |   |             | 8                     |                     |
| Pos.<br>Fig.    | Antal/Quantity |                      |  |  | Art nr<br>Part No       | Benämning   | Description | Sats<br>Kit           | Anmärkning<br>Notes |
|                 | 5266<br>-23    |                      |  |  |                         |   |             |                       |                     |
| 251             | 4              |                      |  | 12293200/0                                       | Mutter.....             | Nut.....  |             |                       |                     |
| 252             | 4              |                      |  | 12583500/0                                       | Låsbricka.....          | Washer.....                                       |             |                       |                     |
| 253             | 4              |                      |  | 12523070/0                                       | Bricka.....             | Washer.....                                       |             |                       |                     |
| 254             | 4              |                      |  | 22735547/0                                       | Höjdinställ.sektor..... | Height adjust sector.....                         |             |                       |                     |
| 255             | 4              |                      |  | 81005082/0                                       | Hjulfäste.....          | Wheel support.....                                |             |                       |                     |
| 256             | 4              |                      |  | 81003286/0                                       | Höjdinställ.spak.....   | Height adjust lever.....                          |             |                       |                     |
| 257             | 4              |                      |  | 22519811/0                                       | Bult.....               | Bolt.....   |             |                       |                     |
| 258             | 8              |                      |  | 22034508/0                                       | Bussning.....           | Bushing.....                                      |             |                       |                     |
| 259             | 4              |                      |  | 22686092/0                                       | Hjul.....               | Wheel.....  |             |                       |                     |
| 260             | 4              |                      |  | 12523060/0                                       | Bricka.....             | Washer.....                                       |             |                       |                     |
| 261             | 4              |                      |  | 12155000/0                                       | Mutter.....             | Nut.....  |             |                       |                     |
| 262             | 4              |                      |  | 22110309/0                                       | Navkapsel.....          | Hub cap.....                                      |             |                       |                     |
| 451             | 1              |                      |  | 22785061/0                                       | Huvstöd.....            | Cover support.....                                |             |                       |                     |
| 452             | 4              |                      |  | 12728710/0                                       | Skruv.....              | Screw.....  |             |                       |                     |
| 453             | 1              |                      |  | 18563605/0                                       | Elmotor.....            | El. motor.....                                    |             | Inkl. pos 453A - 453B |                     |
| 453 A           | 1              |                      |  | 18740054/0                                       | • Fläkt.....            | • Fan.....  |             |                       |                     |
| 453 B           | 1              |                      |  | 18222045/0                                       | • Kondensator.....      | • Capacitor.....                                  |             |                       |                     |
| 454             | 4              |                      |  | 12735410/0                                       | Skruv.....              | Screw.....  |             |                       |                     |
| 455             | 4              |                      |  | 12583500/0                                       | Låsbricka.....          | Washer.....                                       |             |                       |                     |
| 456             | 4              |                      |  | 12293200/0                                       | Mutter.....             | Nut.....  |             |                       |                     |
| 457             | 1              |                      |  | 322207211/4                                      | Fläns.....              | Flange.....                                       |             |                       |                     |
| 459             | 4              |                      |  | 12793700/0                                       | Skruv.....              | Screw.....  |             |                       |                     |
| 460             | 1              |                      |  | 12139440/0                                       | Kil.....                | Key.....  |             |                       |                     |
| 501             | 1              |                      |  | 1111-9165-01                                     | Knivfäste.....          | Blade holder.....                                 |             |                       |                     |
| 502             | 1              |                      |  | 1111-9155-01                                     | Kniv.....               | Blade.....  |             |                       |                     |
| 503             | 2              |                      |  | 12583500/0                                       | Låsbricka.....          | Washer.....                                       |             |                       |                     |
| 504             | 2              |                      |  | 12793101/0                                       | Skruv.....              | Screw.....  |             |                       |                     |
| 505             | 1              |                      |  | 81004352/0                                       | Skruv.....              | Screw.....  |             |                       |                     |

X