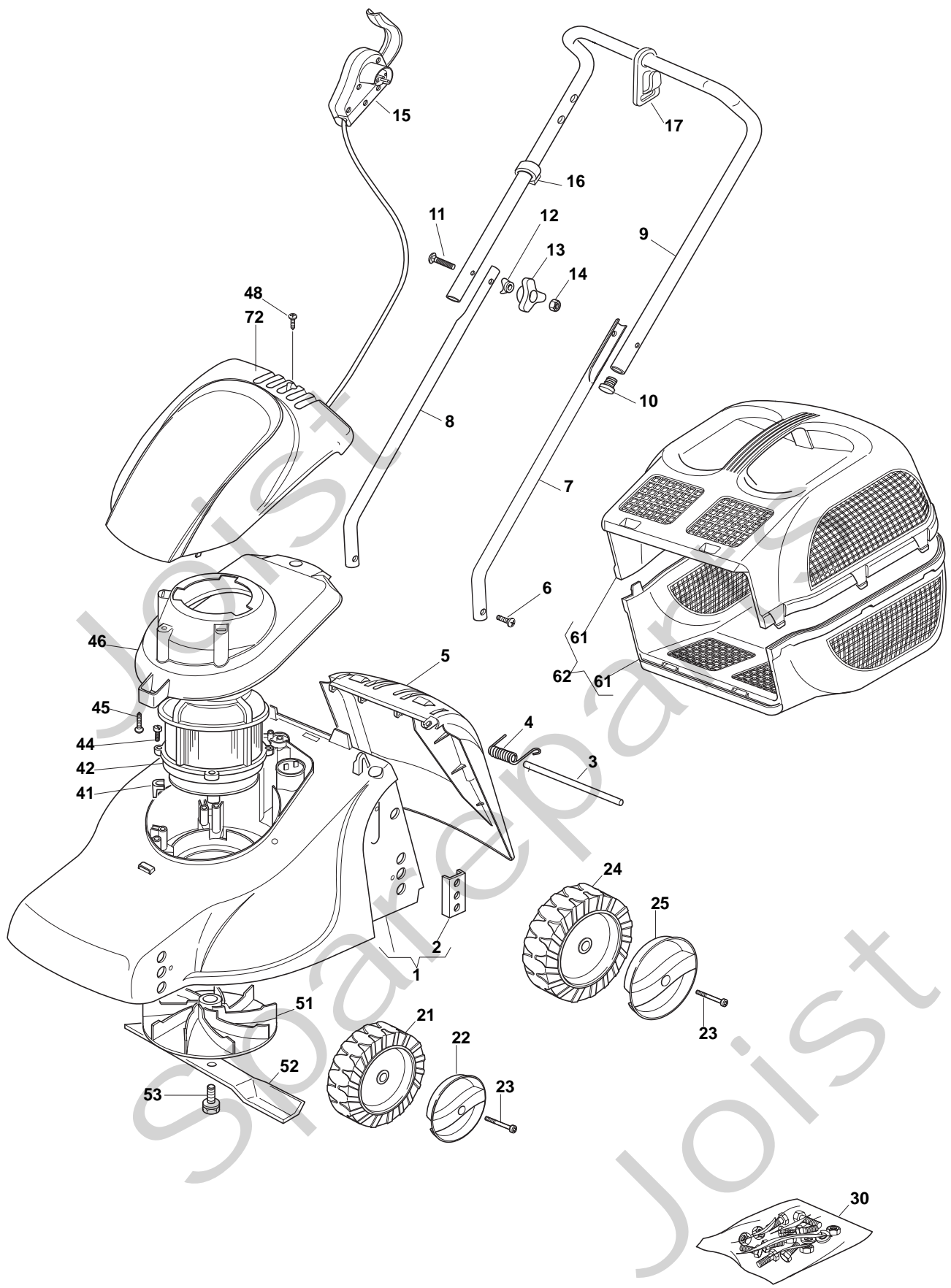


Genuine Spare Parts



Joist
Spareparts
Joist



Utgåva Issue		Bildnr Picture No		COLLECTOR 39 EL		COLLECTOR 39 EL		Sida Page	
2007- 12		2087A						56	
Pos. Fig.	Antal/Quantity				Art nr Part No	Benämning	Description	Sats Kit	Anmärkning Notes
	4261 -12								
1	1			81002904/0	Chassi- gul.....	Chassis- yellow		Inkl. pos 2	
2	4			22785087/1	• Hjulhållare.....	• Wheel support.....			
3	1			22512601/0	Axel.....	Pivot pin.....			
4	1			22450250/0	Fjäder.....	Spring.....			
5	1			22600056/2	Lucka.....	Stone guard			
6	2			12728450/0	Skruv.....	Screw.....			
7	1			81006940/1	Styrrör- vä	Handle tube- LH			
8	1			81006939/1	Styrrör- hö	Handle tube- RH.....			
9	1			81006941/4	Styre- överdel	Handle- upper.....			
10	2			18566112/0	Plugg.....	Cap.....			
11	2			12819120/0	Skruv.....	Screw.....			
12	2			22680006/1	Bricka.....	Washer.....			
13	2			22399900/0	Lås ratt	Locking knob			
14	2			12293200/0	Mutter.....	Nut.....			
15	1			81600500/1	Manöverdosa.....	Dead hand switch.....			
16	1			22192000/1	Kabelhållare.....	Anchor clamp.....			
17	1			22195101/4	Dragavlastare.....	Fairlead			
21	2			22686083/0	Hjul.....	Wheel.....			
22	2			22110455/0	Navkapsel- gul	Hub cap- yellow.....			
23	4			22524337/0	Hjulbult.....	Wheel bolt.....			
24	2			22686085/0	Hjul.....	Wheel.....			
25	2			22110456/0	Navkapsel- gul	Hub cap- yellow.....			
30	1			81008669/0	Skruvsats.....	Screw set			
41	4			22167700/0	Distans	Spacer.....			
42	1			18563601/0	Elmotor.....	El. motor	ATB		
42	1			18563651/0	Elmotor.....	El. motor	LEO		
44	4			12735410/0	Skruv.....	Screw.....			
45	1			12728450/0	Skruv.....	Screw.....			
46	1			22055050/2	Stöd- motorkåpa.....	Cover support			
48	1			12728680/0	Skruv.....	Screw.....			
51	1			22465602/0	Knivfäste.....	Blade holder			
52	1			1111- 9157- 01	Kniv.....	Blade			
53	1			81004352/0	Skruv.....	Screw.....			
61	2			22486049/0	• Uppsamlare- halva	• Grassbox- half			
62	1			97390000/0	Uppsamlare kpl.....	Grassbox assy.....		Inkl. pos 61	
72	1			22055064/1	Motorkåpa	Motor cover			