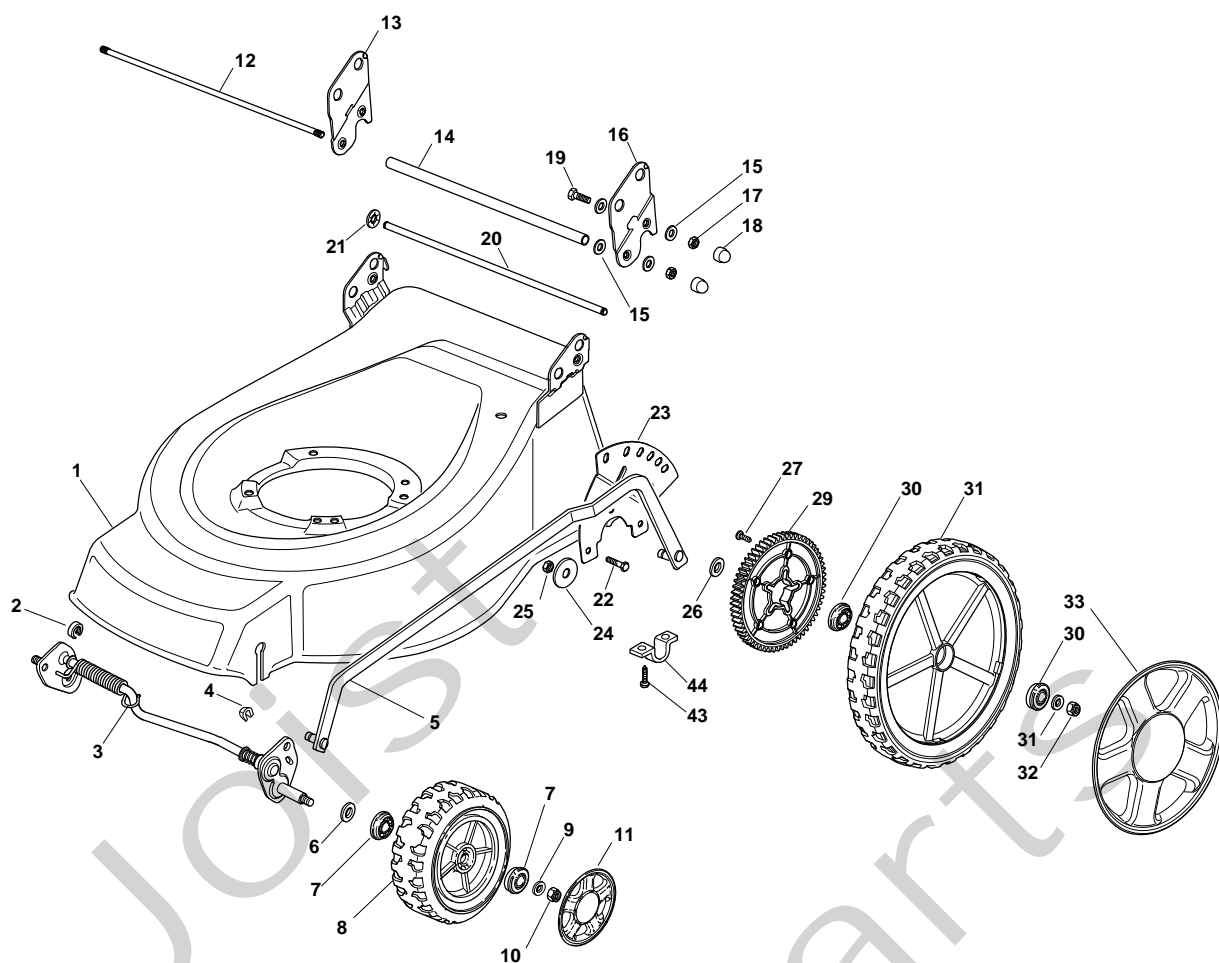


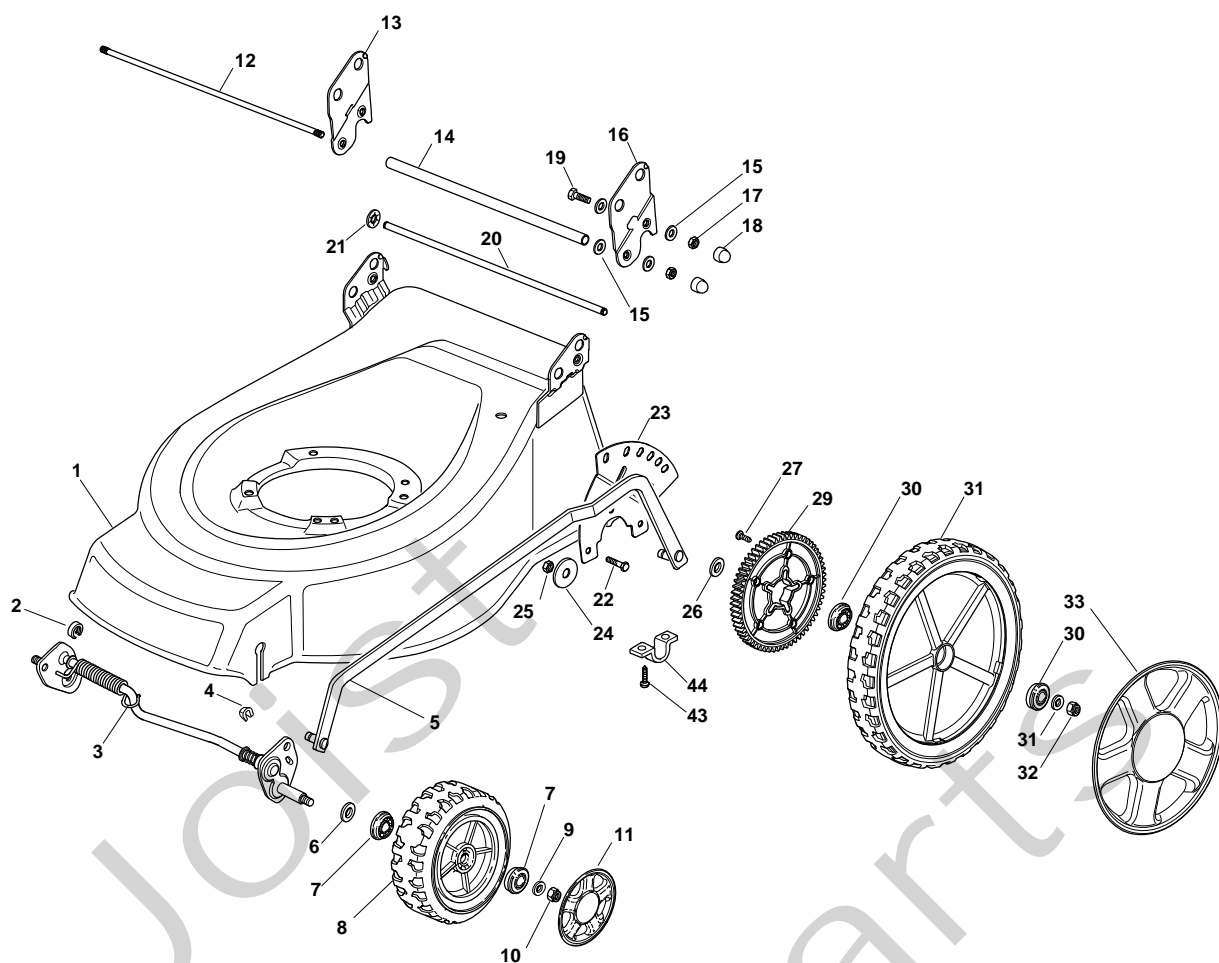
Genuine Spare Parts

**TURBO 48 EL S
BW PLUS**

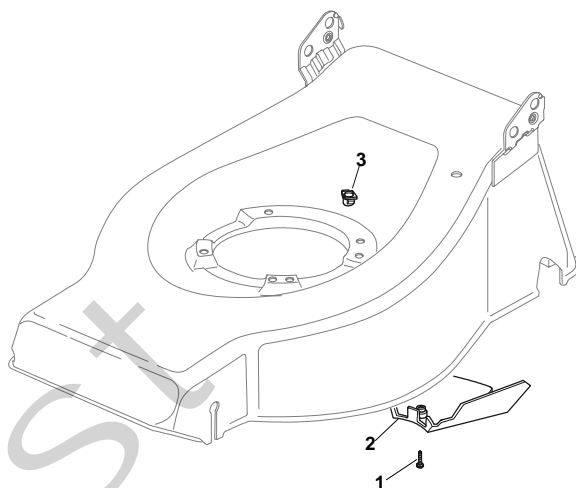


TURBO 48 EL S BW PLUS - Model Year 2009


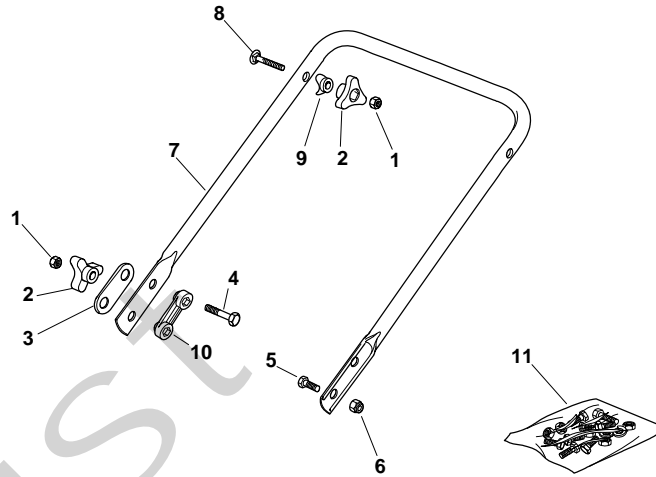
Pos. Fig.	Antal Quantity	Art No Part No	Benämning	Description	Anmärkning Notes
1	1	381002658/0	Chassi	Deck Yellow	
2	2	22171002/0	Distans	Spacer	
3	1	381002861/0	Hjulaxel	Axle, Front Wheels	
4	2	12436050/0	Låsplatta	Plate	
5	1	381001999/0	Höjdställn.stag	Rod, Height Adjustment	
6	2	12530150/0	Bricka	Washer	
7	4	22122200/0	Kullager	Bearing	
8	2	81007343/0	Hjul	Wheel	
9	2	12521350/0	Bricka	Washer	
10	2	12155000/0	Mutter	Nut	
11	2	22110492/0	Navkapsel	Hub Cap Grey	
12	1	22517702/1	Pivotstäng	Stone Guard Fulcrum	
13	1	22778427/0	Fäste-hö	Bracket, R	
14	1	22869717/0	Distansrör	Spacer	
15	8	22671653/0	Bricka	Washer	
16	1	22778429/0	Fäste-vä	Bracket, L	
17	4	12155000/0	Mutter	Nut	
18	4	18203854/0	Tätningshylsa	Protection	
19	2	12793301/0	Skruv	Screw	
20	1	22517860/0	Axel	Pin	
21	2	12604899/0	Låsbricka	Crown Fastener	
22	3	12792611/0	Skruv	Screw	
23	1	322735579/1	Höjdställn.sektor	Sector, Height Adjustment	
24	3	12523060/0	Bricka	Washer	
25	3	12155000/0	Mutter	Nut	
26	2	22675100/0	Bricka	Washer	
27	6	12728691/0	Skruv	Screw	
28	2	22120110/0	Drev	Sprocket	
29	4	22122200/0	Kullager	Bearing	
30	2	81007380/0	Hjul	Wheel	
31	4	12521350/0	Bricka	Washer	

TURBO 48 EL S BW PLUS - Model Year 2009


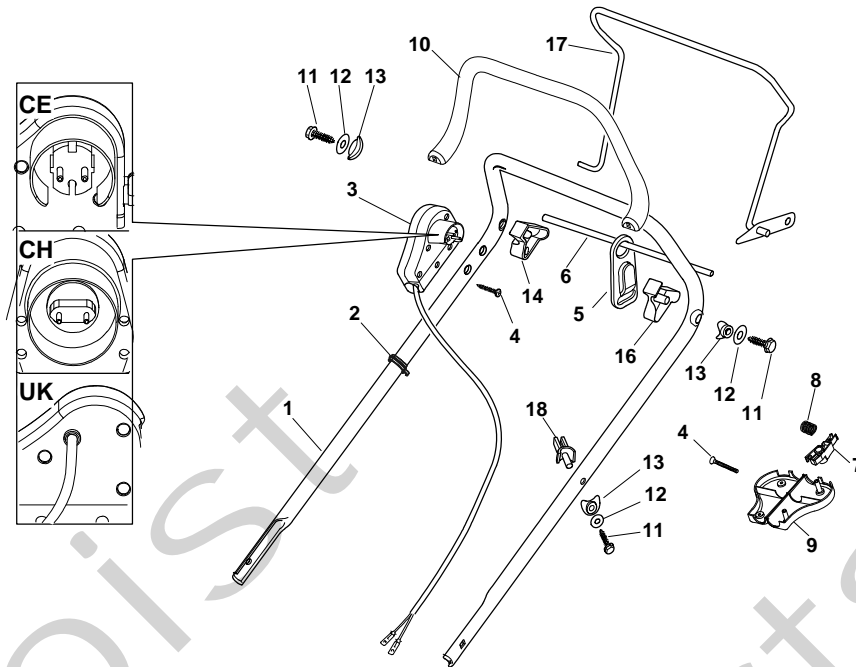
Pos. Fig.	Antal Quantity	Art No Part No	Benämning	Description	Anmärkning Notes
32	2	12155000/0	Mutter	Nut	
33	2	322110560/0	Navkapsel-grå	Hub Cap, Grey D.300	
43	4	12731350/0	Skruv	Screw	
44	2	22545152/0	Bygel	Plate	



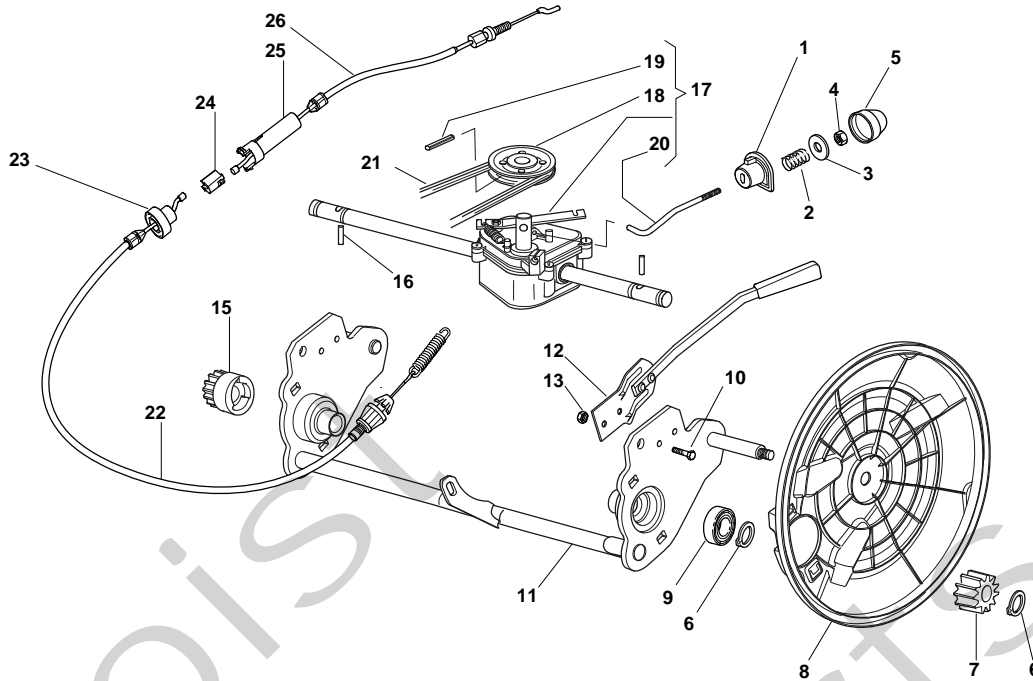
Pos. Fig.	Antal Quantity	Art No Part No	Benämning	Description	Anmärkning Notes
1	1	12727791/0	Skruv	Screw	
2	1	22060180/0	Remskydd	Protection, Belt	
3	1	22291150/0	Gummihylsa	Rubber Insert	



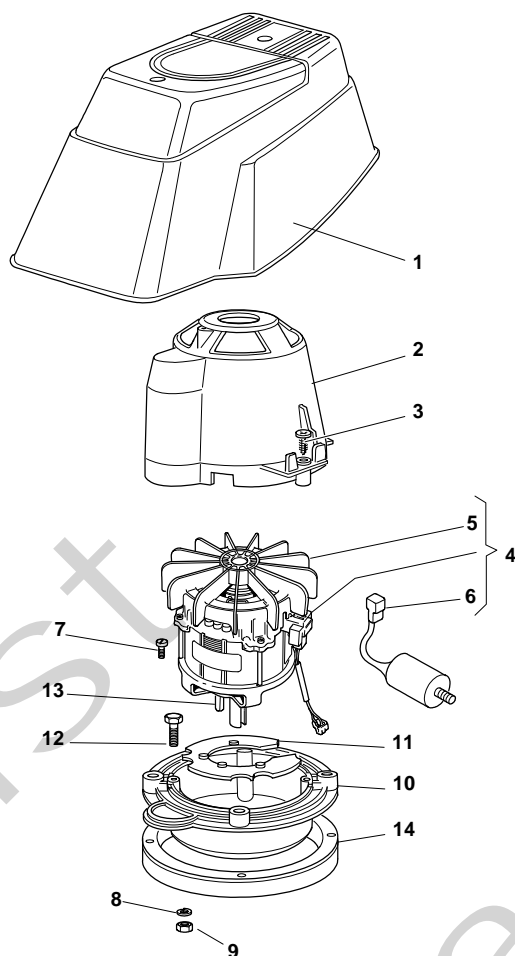
Pos. Fig.	Antal Quantity	Art No Part No	Benämning	Description	Anmärkning Notes
1	4	12293200/0	Mutter	Nut	
2	4	22399900/0	Knopp	Knob	
3	2	22551574/0	Plåt	Plate, Outside	
4	2	12691115/0	Skruv	Screw	
5	2	12793300/0	Skruv	Screw	
6	2	12155000/0	Mutter	Nut	
7	1	81006512/0	Styre-underdel	Handle, Lower Part	
8	2	12819201/0	Skruv	Screw	
9	2	22680006/1	Bricka	Washer	
10	2	22551575/0	Platta-inre	Plate, Inside	
11	1	81008596/1	Skruvsats	Outfit, Screws	



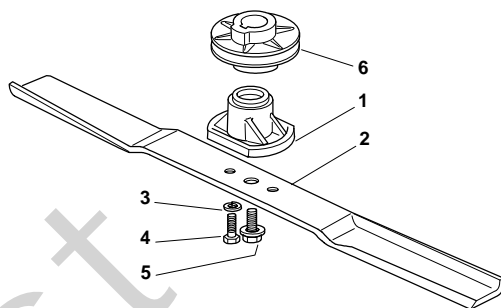
Pos. Fig.	Antal Quantity	Art No Part No	Benämning	Description	Anmärkning Notes
1	1	81006603/0	Styre-överdel	Handle, Upper Part	
2	2	22192000/1	Kabelhållare	Clamp	
3	1	381600503/2	Manöverdosa	Dead Hand Switch	
3	1	381600504/2	Manöverdosa	Dead Hand Switch	
3	1	381600505/2	Manöverdosa	Dead Hand Switch	
4	4	12728701/0	Skruv	Screw	
5	1	22195101/4	Kabelhållare	Fairlead	
6	1	22010251/0	Stång	Rod, Fairlead Bearing	
7	1	322230350/1	Vridpunkt	Fulcrum Pin	
8	1	22450115/0	Fjäder	Spring	
9	1	22785144/0	Hållare	Support	
10	1	322322881/1	Reglagebygel	Lever, Engine Brake	
10	1	322322885/1	Reglagebygel	Lever, Engine Brake	
11	3	12735103/0	Skruv	Screw	
12	3	12523040/0	Bricka	Washer	
13	3	22680006/1	Bricka	Washer	
14	1	322806518/2	Stöd-hö	Support, R	
15	1	22020320/0	Hållare	Fairlead Bearing	
16	1	322806519/2	Support, L	Support, L	
17	1	81001245/1	Reglagebygel-drivning	Driving Lever	
18	1	22806520/0	Support, Adjuster	Support, Adjuster	



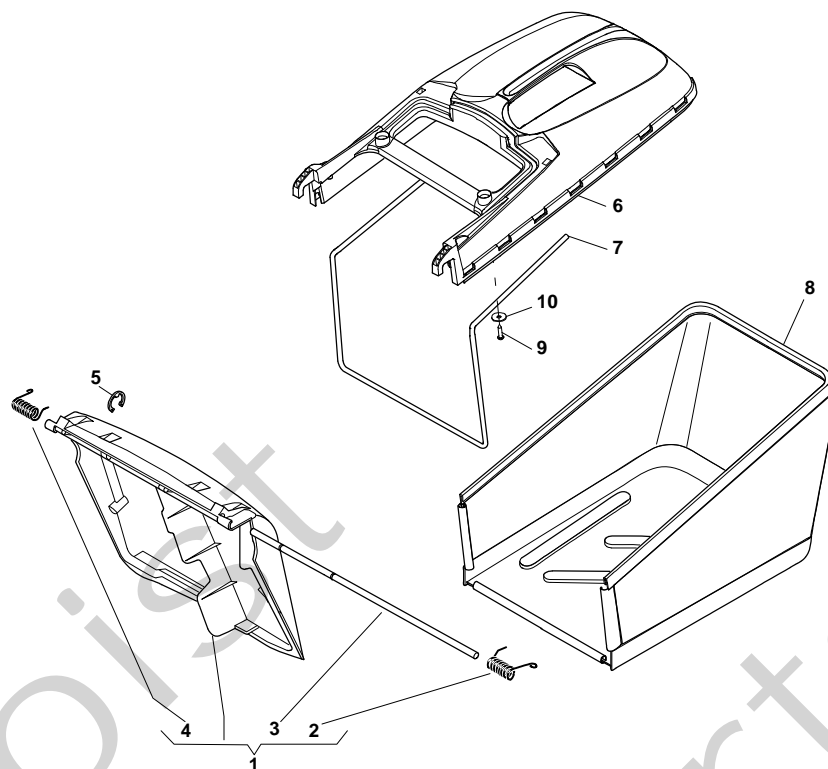
Pos. Fig.	Antal Quantity	Art No Part No	Benämning	Description	Anmärkning Notes
1	1	22041957/1	Bussning	Bush	
2	1	22450063/0	Fjäder	Spring	
3	1	22680009/0	Bricka	Washer	
4	1	12154510/0	Mutter	Nut	
5	1	22110230/0	Lock	Cap	
6	4	12608600/0	Låsring	Snap Ring	
7	1	22570110/1	Drev	Pinion R	
8	2	22600160/0	Hjulskydd	Protection, Wheel	
9	2	19216035/0	Lager	Bearing	
10	2	12789000/0	Skruv	Screw	
11	1	381002853/2	Hjulaxel	Axle, Rear Wheels	
12	1	381003326/0	Höjdställn.spak	Lever, Height Adjustment	
13	2	12154330/0	Mutter	Nut	
14	1	122450454/0	Fjäder	Spring	
15	1	22570120/1	Drev	Pinion L	
16	2	22753000/0	Stift	Pin	
17	1	81003092/0	Transmission	Gear Box	
18	1	22601904/0	Remskiva	Pulley	
19	1	12645705/0	Stift	Pin	
20	1	22033283/0	Justersting	Adjustment Rod	
21	1	35063800/0	Drivrem	Belt	
22	1	81000671/0	Kopplingswire	Cable, Rear Drive Lower	
23	1	22246031/0	Lower Joint	Lower Joint	
24	1	22042040/0	Isoleringshylsa	Isolation Compass	
25	1	22246030/0	Upper Joint	Upper Joint	
26	1	81001150/0	Kopplingswire	Cable, Rear Drive Upper	



Pos. Fig.	Antal Quantity	Art No Part No	Benämning	Description	Anmärkning Notes
1	1	22055045/1	Motorkåpa	Cover	
2	1	22785210/0	Kåpstöd	Support, Cover	
3	4	12728710/0	Skruv	Screw	
4	1	18563641/0	Elmotor	Motor Atb	
5	1	18740054/0	Fläkt	Fan Motor Atb	
6	1	18222039/0	Kondensator	Condenser 25 µf	
7	4	12735410/0	Skruv	Screw	
8	4	12583500/0	Låsbricka	Grower	
9	4	12293200/0	Mutter	Nut	
10	1	322207211/4	Fläns	Flange	
11	1	322720360/2	Ventilationsskärm	Ventilation Screen	
12	4	12691800/0	Skruv	Screw	
13	1	12139440/0	Kil	Feather	
14	1	22170960/1	Distans	Spacer	
15	2	12728680/0	Skruv	Screw	



Pos. Fig.	Antal Quantity	Art No Part No	Benämning	Description	Anmärkning Notes
1	1	322463186/3	Nav	Hub	
2	1	81004346/3	Kniv	Blade Standard	
2	1	81004346/3	Kniv	Blade Standard	480
2	1	81004397/0	Kniv	Blade Winged	
2	1	81004397/0	Kniv	Blade Winged	480
3	2	12583500/0	Låsbricka	Grower	
4	2	12793101/0	Skruv	Screw	
5	1	81004352/0	Skruv	Screw	
6	1	22601911/1	Remskiva	Pulley	



Pos. Fig.	Antal Quantity	Art No Part No	Benämning	Description	Anmärkning Notes
1	1	381008021/1	Lucka	Stone-Guard	
2	1	22450420/1	Fjäder-vä	L Spring	
3	1	22517906/1	Axel	Pin	
4	1	22450410/1	Fjäder-hö	R Spring	
5	1	12000930/0	Låsring	Snap Ring	
6	1	22486101/0	Uppsamlare-överdel	Grass-Box, Upper	
7	1	22608525/0	Trådbygel	Stiffening Lower	
8	1	81002211/0	Uppsamlingsäck	Box, Fabric	
9	2	12728680/0	Skruv	Screw	
10	2	12523050/0	Bricka	Washer	