

# Genuine Spare Parts

www.stiga.com

## COLLECTOR 46 Model Year 2011

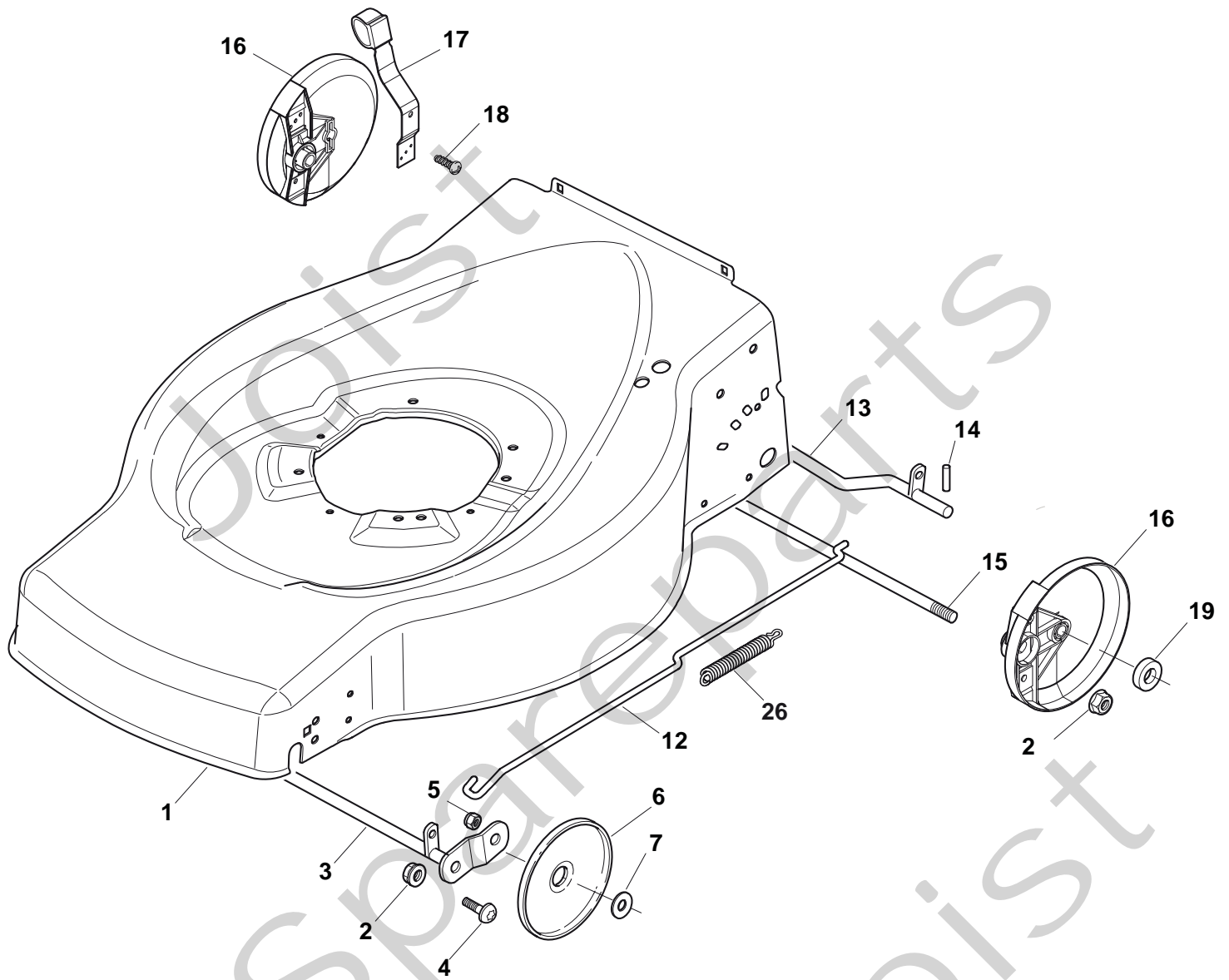
- Use GLOBAL GARDEN PRODUCT Genuine Spare Parts specified in the parts list for repair and/or replacement.
- The contents described in the parts list may change due to improvement.
- The drawings of the spare parts are only indicative and might not represent the part in question exactly.
- The indications "right" - "left" - "front" - "rear" refer to the position of the operator when using the machine.
- When placing orders of parts for repair and/or replacement, make sure that the illustrated parts list is the one applying to the machine's year of manufacture, as shown on the identification plate attached to the machine.

COPYRIGHT by GLOBAL GARDEN PRODUCTS

All rights reserved. No part of this material may be reproduced or transmitted, in any form or by any means, electronic or mechanical, including photocopying, recording or by any information storage and retrieval system, without permission in writing from GLOBAL GARDEN PRODUCTS.



COLLECTOR 46

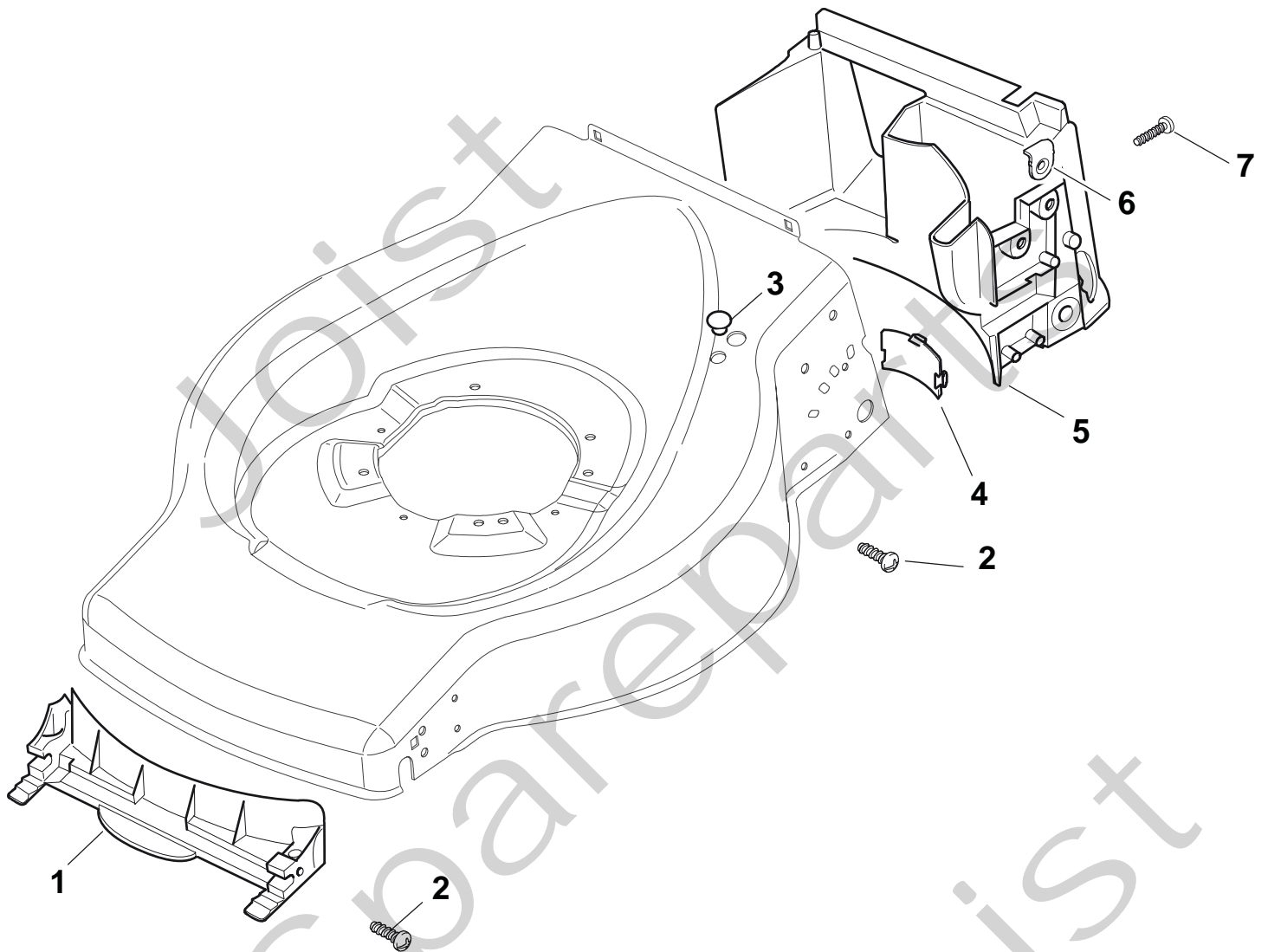




## COLLECTOR 46

Pos. Fig.	Antal Quantity	Art No Part No	Benämning	Description	Anmärkning Notes
1	1	81002538/0	Chassi-röd	Deck Red	
2	4	22131750/0	Mutter	Nut	
3	1	81000153/0	Hjulaxel-fram	Axle, Front Wheels	
4	2	12760600/0	Skruv	Screw	
5	2	12155000/0	Mutter	Nut	
6	2	22600095/0	Hjulskydd	Protection, Wheel	
7	2	25670011/0	Bricka	Washer	
12	1	22033317/0	Justerstång	Adjustment Rod	
13	1	81000159/0	Hjulaxel-bakre	Axle, Rear Wheels	
14	2	22753001/0	Stift	Pin	
15	1	22033369/0	Hjulaxel-bakre	Axle, Rear Wheels	
16	2	22600106/1	Hjulskydd	Protection, Wheel	
17	1	81003303/0	Höjdinställningsspak	Lever, Height Adjustment	
18	2	12728689/0	Skruv	Screw	
19	2	22170622/0	Distans	Spacer	
26	1	122446186/0	Fjäder	Spring	

COLLECTOR 46

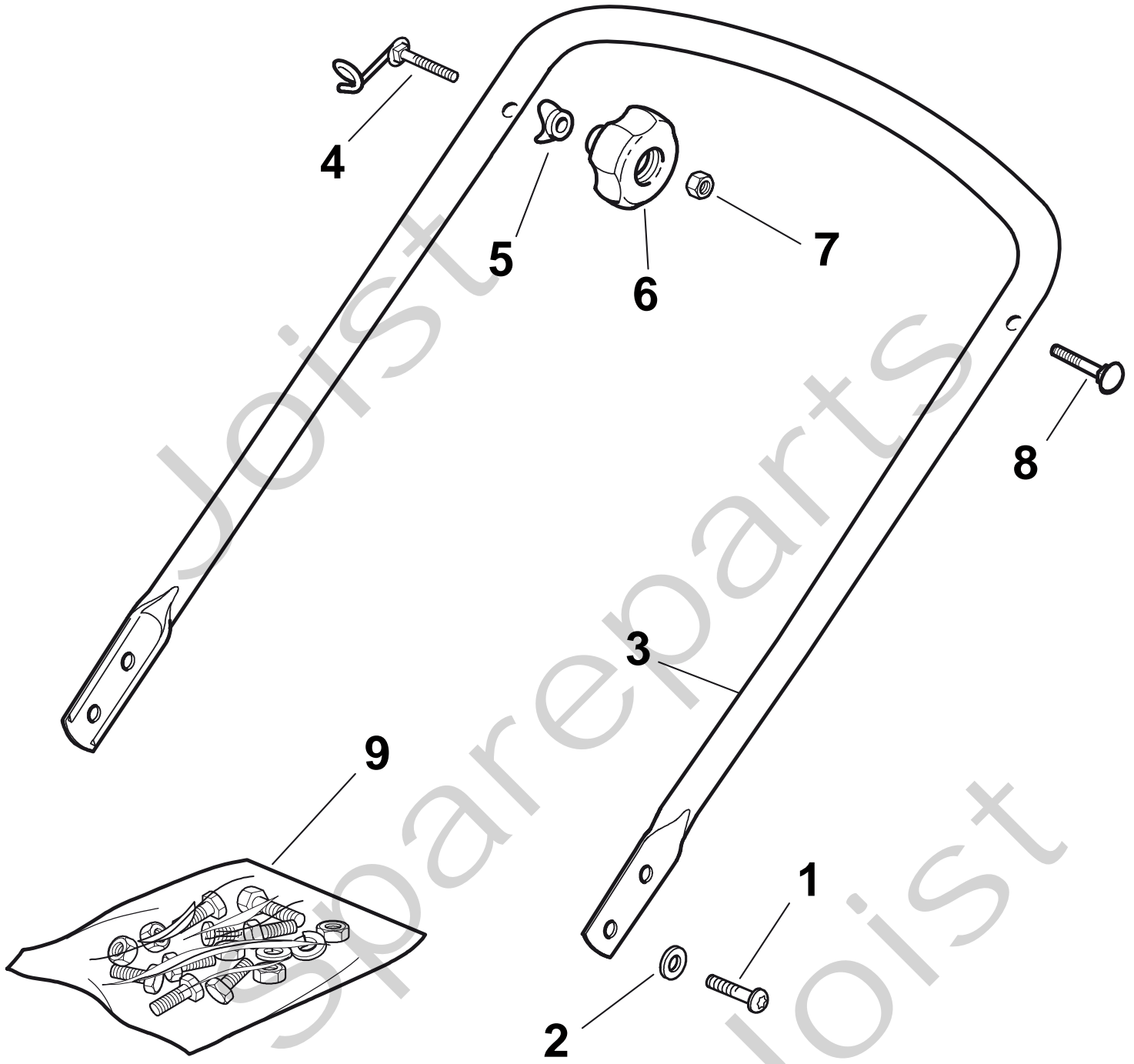




## COLLECTOR 46

Pos. Fig.	Antal Quantity	Art No Part No	Benämning	Description	Anmärkning Notes
1	1	22108271/0	Inmatningstratt	Front Conveyor Assy	
2	6	12728686/0	Skruv	Screw	
3	1	322820077/0	Lock	Cap	
4	1	22109532/0	Kåpa	Cover	
5	1	22108272/2	Ledplåt-främre	Rear Conveyor Assy	
6	4	322545189/0	Plåt	Plate	
7	2	12728686/0	Skruv	Screw	

COLLECTOR 46

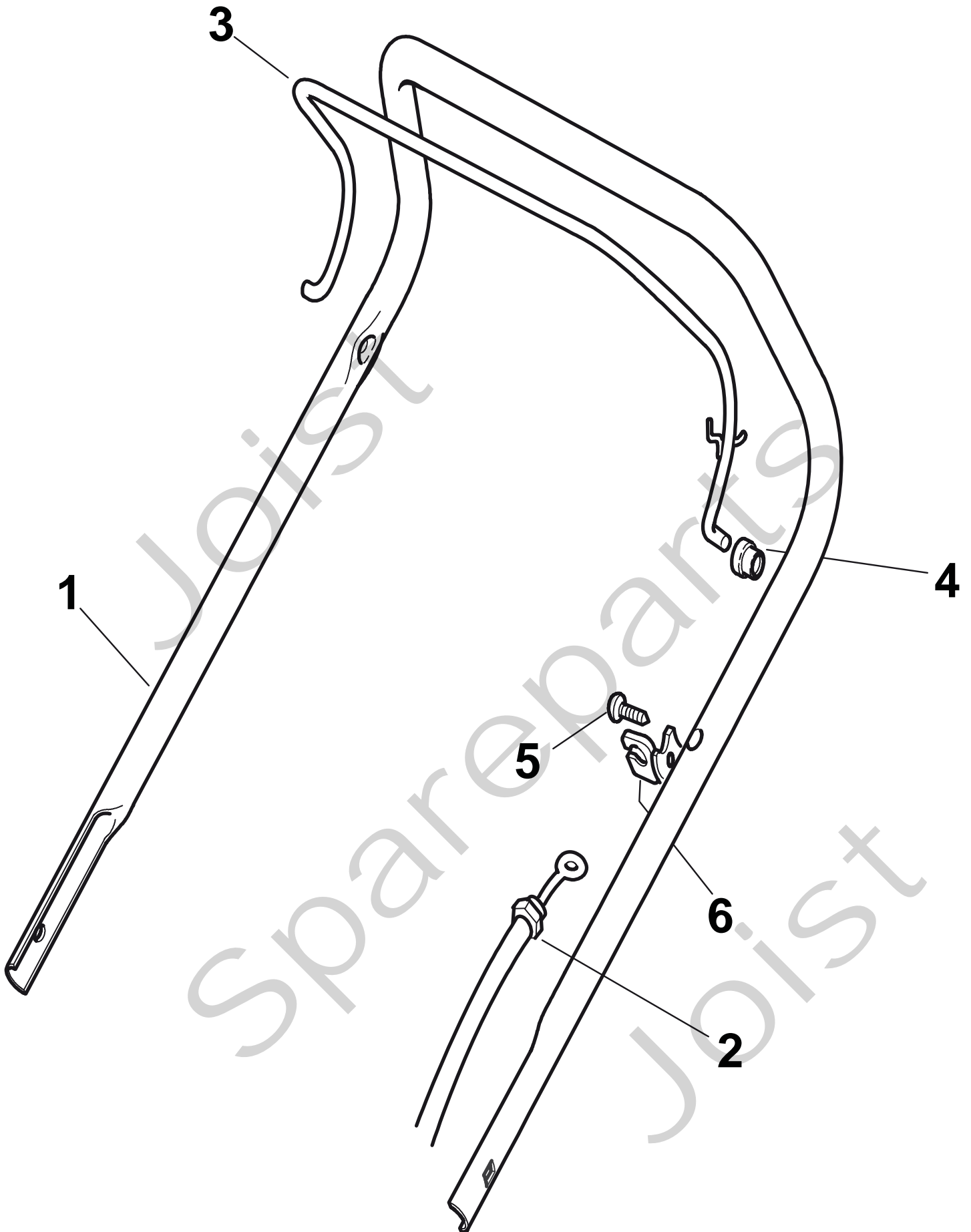




## COLLECTOR 46

Pos. Fig.	Antal Quantity	Art No Part No	Benämning	Description	Anmärkning Notes
1	4	12760605/0	Skruv	Screw	
2	4	12521350/0	Bricka	Washer	
3	1	81006570/0	Styre-underdel	Handle, Lower Part	
4	1	81003801/1	Fjäder	Guide Spring	
5	2	22680006/1	Bricka	Washer	
6	2	322399804/1	Knopp	Knob	
7	2	12293200/0	Mutter	Nut	
8	1	12819201/0	Skruv	Screw	
9	1	81008648/1	Skruvsats	Outfit, Screws	

**COLLECTOR 46**

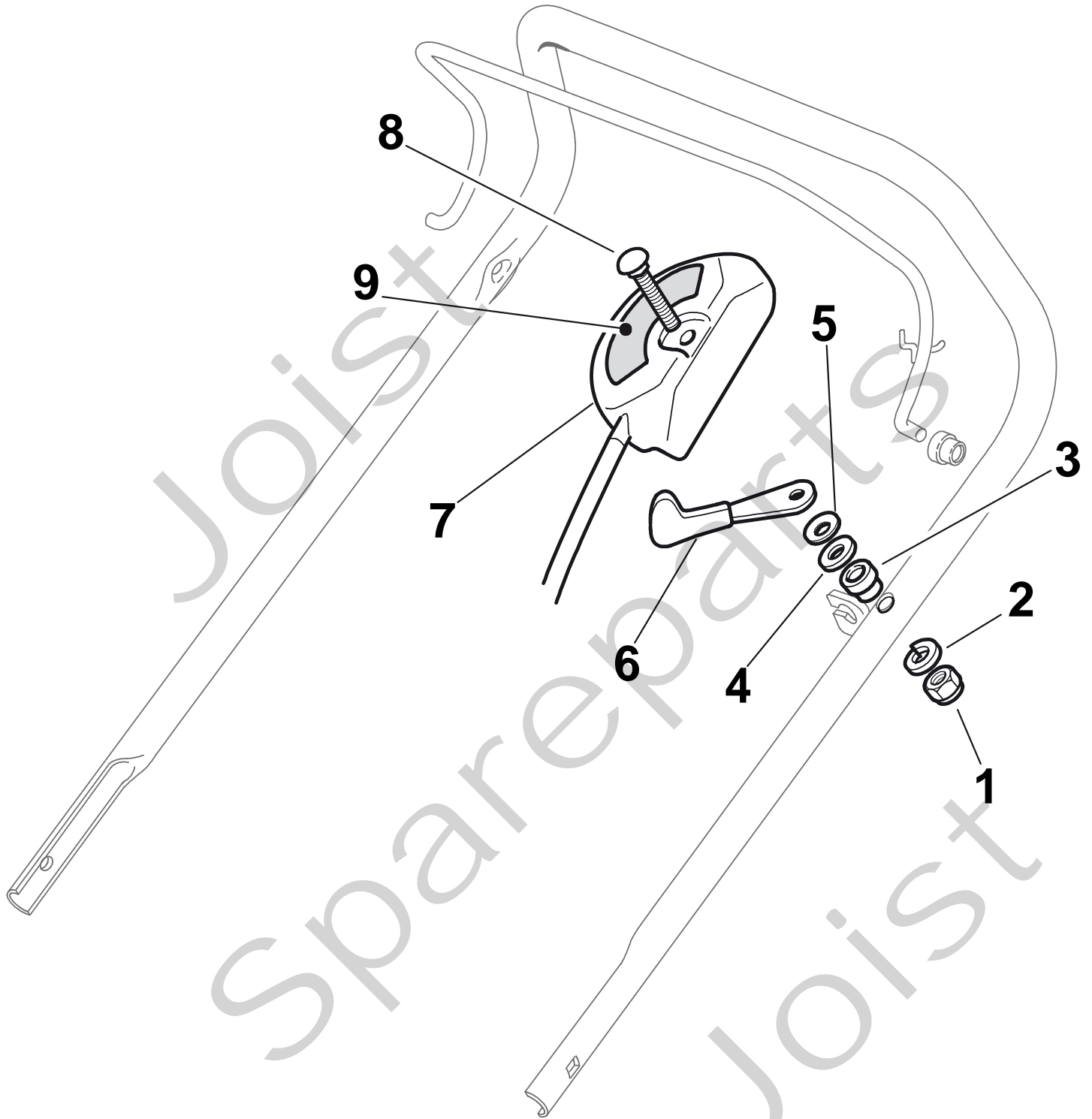






## COLLECTOR 46

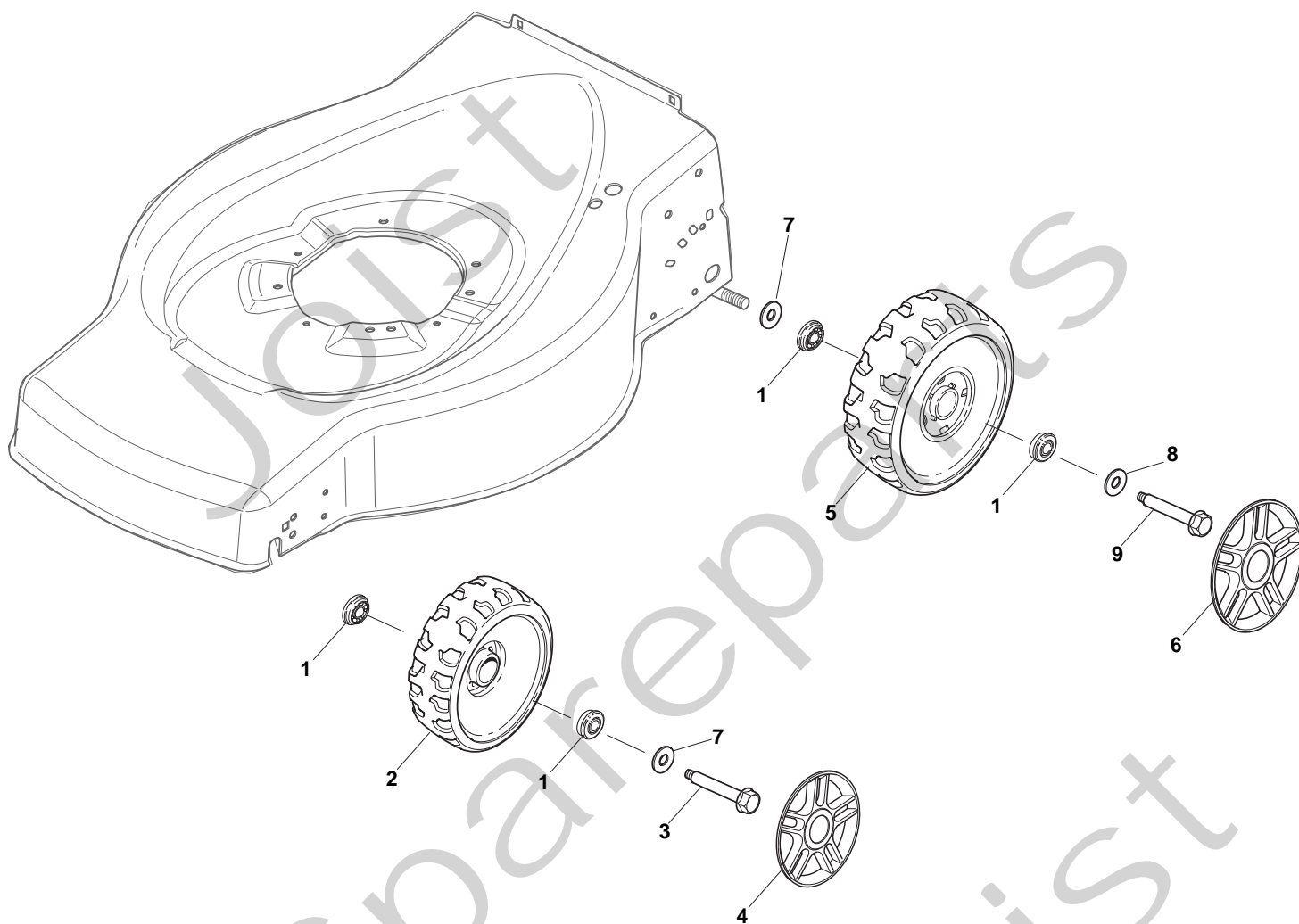
Pos. Fig.	Antal Quantity	Art No Part No	Benämning	Description	Anmärkning Notes
1	1	81007018/1	Styre-överdel	Handle, Upper Part	
2	1	81000622/2	Motorbromswire	Cable, Thread Engine Brake	
3	1	81003291/3	Reglagebygel	Lever, Engine Brake	
4	2	22041966/0	Bussning	Bush	
5	1	12728518/0	Skruv	Screw	
6	1	22806612/0	Fäste	Support	





## COLLECTOR 46

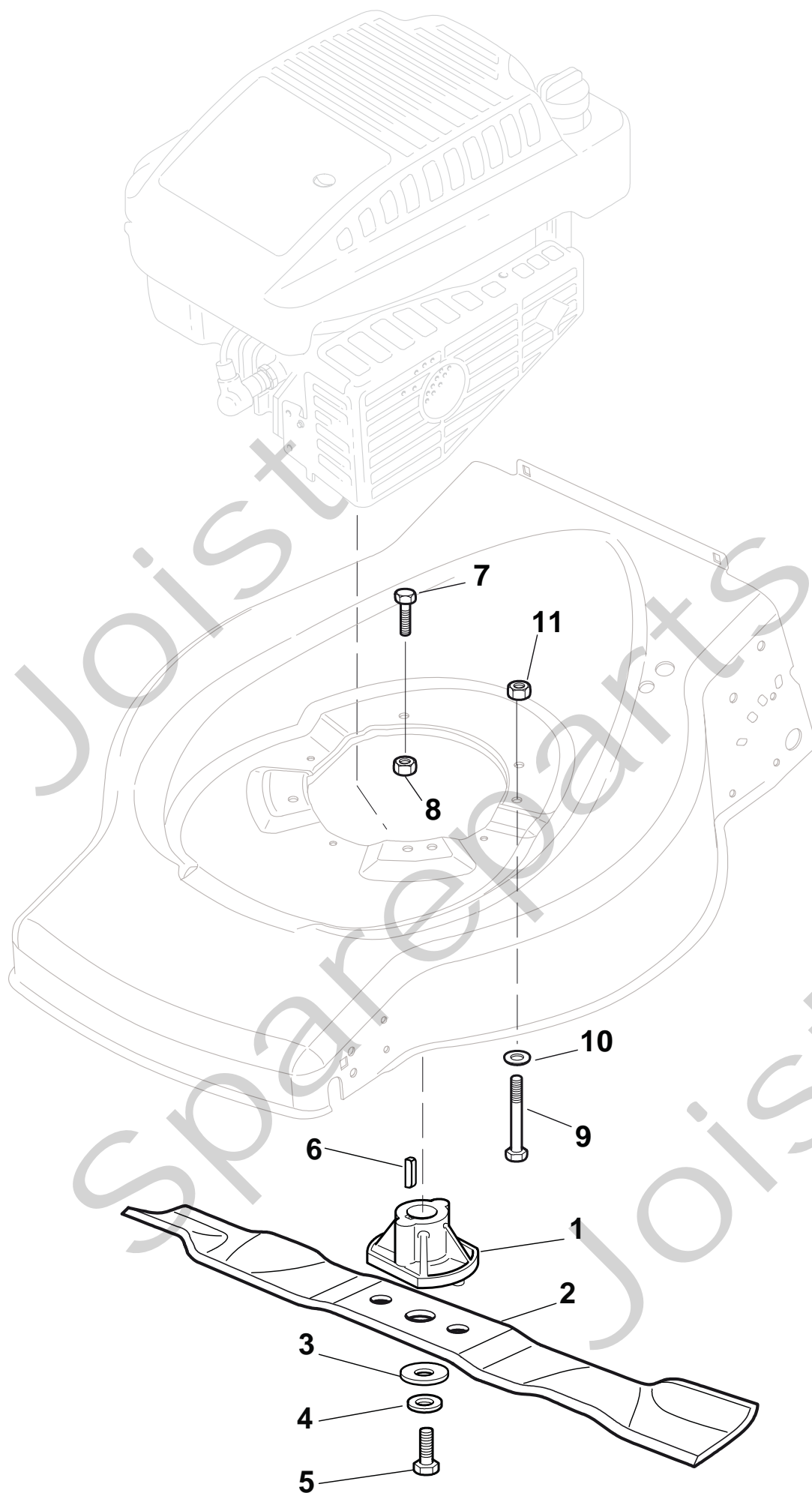
Pos. Fig.	Antal Quantity	Art No Part No	Benämning	Description	Anmärkning Notes
1	1	12291000/0	Mutter	Nut	
2	1	12581500/0	Stift	Grower	
3	1	22171005/0	Distans	Spacer	
4	1	12521360/0	Bricka	Washer	
5	1	12508100/0	Rivet	Spring Washer	
6	1	81007220/0	Gasarm	Lever, Throttle	
7	1	81007080/0	Gaswire	Throttle Cable	
8	1	12815000/0	Skruv	Screw	
9	1	14356702/0	Dekal	Label	





## COLLECTOR 46

Pos. Fig.	Antal Quantity	Art No Part No	Benämning	Description	Anmärkning Notes
1	8	22122200/0	Panel	Bearing	
2	2	22686091/1	Hjul Ø 165	Wheel Ø 165	
3	4	22524341/0	Stift	Pin	
4	2	22110491/0	Navkapsel	Hub Cap Grey	
5	2	22686092/0	Hjul Ø 190	Wheel Ø 190	
6	2	22110492/0	Navkapsel-grå	Hub Cap Grey	
7	4	22675100/0	Bricka	Washer	
8	2	12523050/0	Bricka	Washer (Hydro)	
9	2	12735599/0	Skruv	Screw	

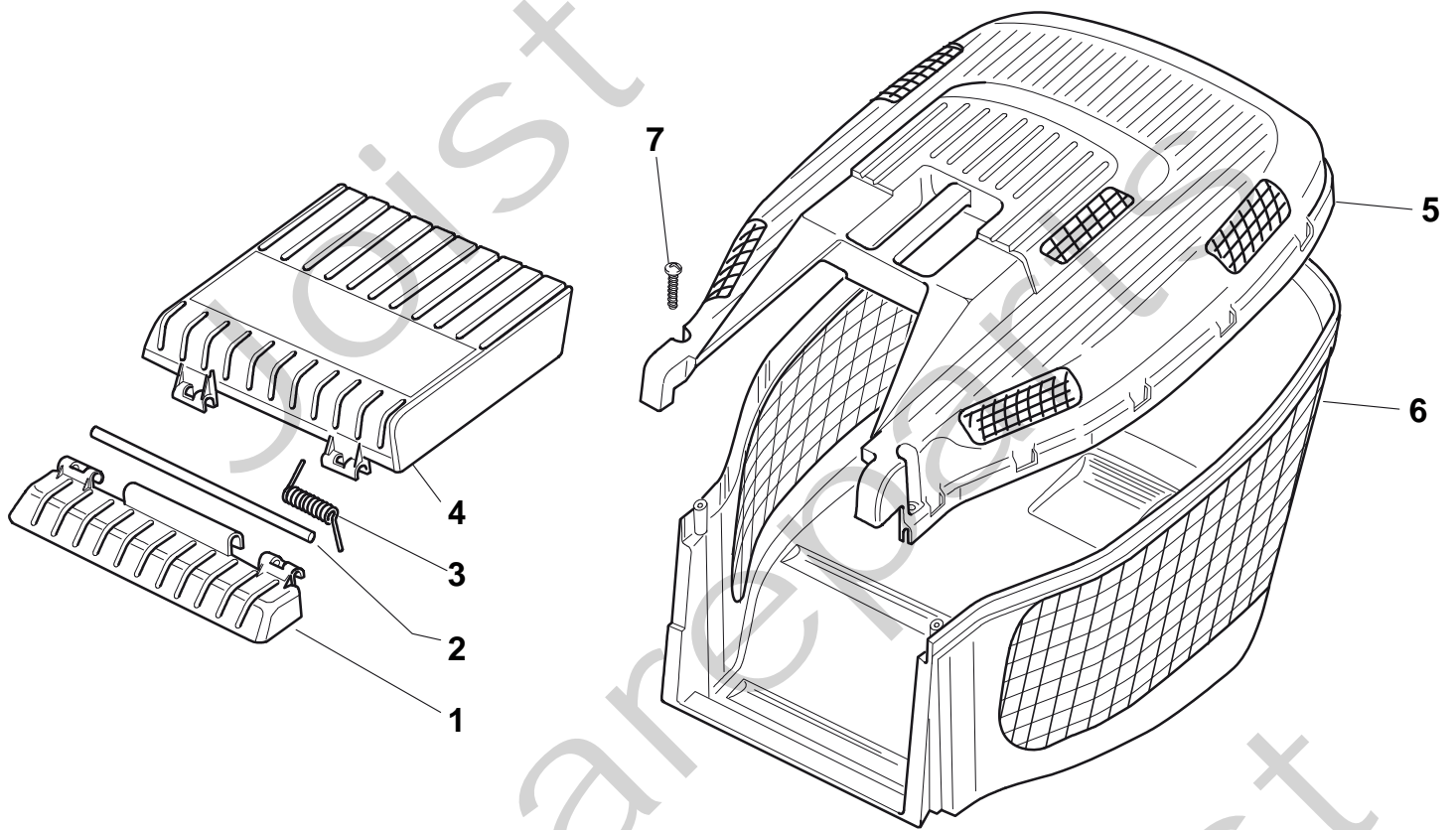




## COLLECTOR 46

Pos. Fig.	Antal Quantity	Art No Part No	Benämning	Description	Anmärkning Notes
1	1	22463012/2	Knivfäste Ø 22.2	Hub, Crankshaft Ø 22.2	
2	1	81004365/3	Kniv	Blade	
3	1	22160400/0	Dammskydd	Dust Cover	
4	1	12523080/0	Bricka	Washer	
5	1	12735698/0	Skruv	Screw	
6	1	12139100/0	Låsring	Feather, Crankshaft Ø 22.2	
7	3	12793701/0	Skruv	Screw	
8	3	12293201/0	Mutter	Nut	
9	1	12691800/0	Skruv	Screw (Peerless)	
10	1	12521350/0	Bricka	Washer	
11	1	12155000/0	Mutter	Nut	

COLLECTOR 46



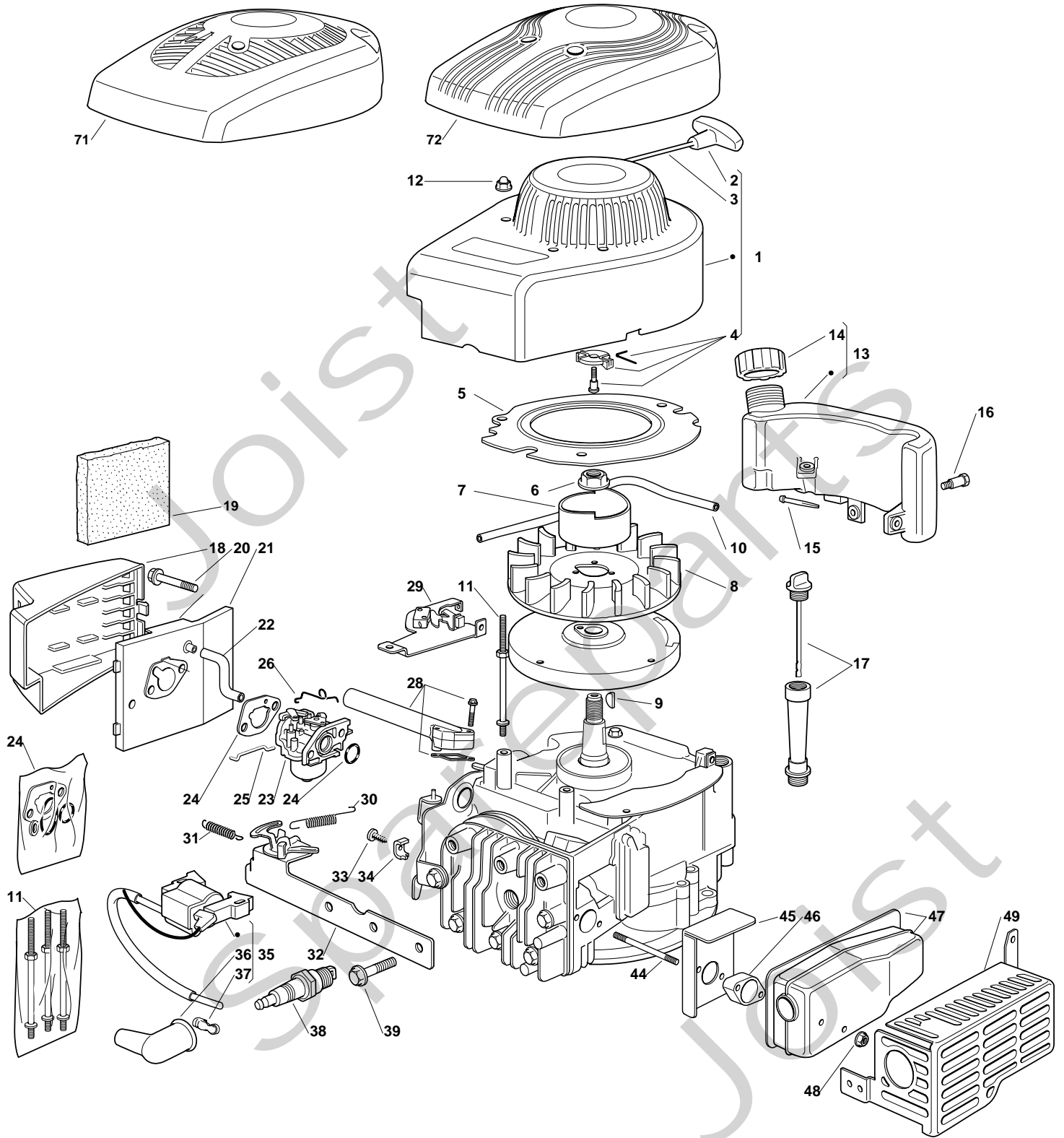




## COLLECTOR 46

Pos. Fig.	Antal Quantity	Art No Part No	Benämning	Description	Anmärkning Notes
1	1	22785136/1	Fäste	Support	
2	1	22517858/0	Stift	Pin	
3	1	22450431/0	Fjäder	Spring	
4	1	322600099/1	Lucka	Stone-Guard	
5	1	22486122/0	Uppsamlare-överdel	Grassbox Upper Part	
6	1	22486128/0	Uppsamlare-underdel	Grassbox Lower Part	
7	2	12728686/0	Skruv	Screw	

## COLLECTOR 46

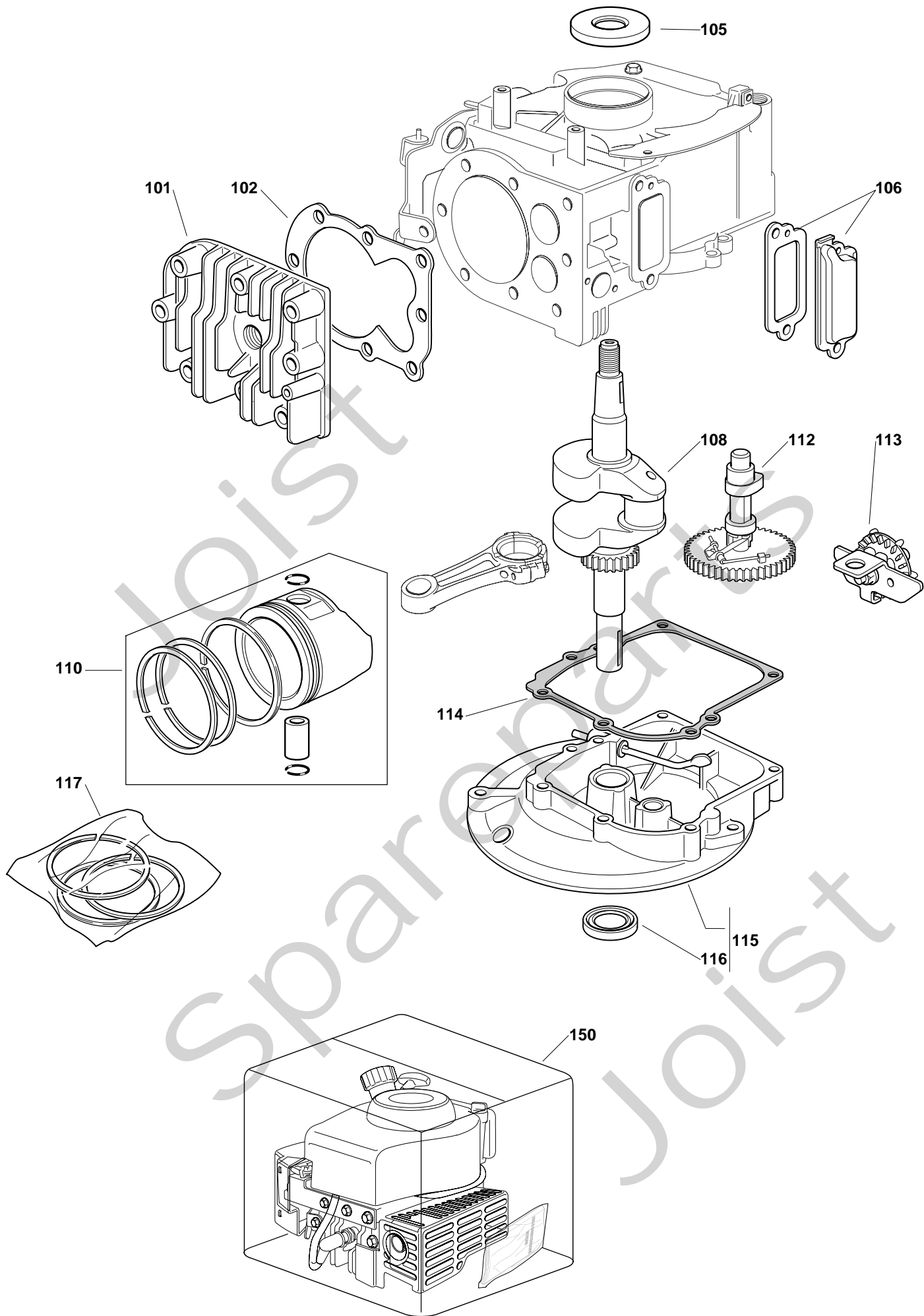




## COLLECTOR 46

Pos. Fig.	Antal Quantity	Art No Part No	Benämning	Description	Anmärkning Notes
1	1	118550139/1		Starter Assy	
2	1	18550052/0		Starter Handle	
3	1	18550053/0		Starter Cord	
4	1	18550004/1		Starter Pawl Set	
5	1	18550138/0	Deflektor	Deflector	
6	1	18550056/0	Mutter	Nut	
7	1	18550140/0		Starter Cup	
8	1	18550154/0	Fläkt	Impeller	
9	1	18550197/0		Flywheel Key	
10	1	18550005/0		Fuel Hose	
11	1	18550142/0		Screw Set	
12	3	18550007/0	Mutter	Nut	
13	1	18550143/0		Tank	
14	1	18550001/0		Fuel Cap	
15	1	18550141/0		Screen	
17	1	18550008/0		Dipstick Assy	
18	1	18550133/0		Air Cleaner Cover	
19	1	18550011/0		Air Filter	
20	2	18550010/0	Skruv	Screw	
21	1	18550125/1		Air Cleaner Base	
22	1	18550013/0	Oljeslang	Breather Tube	
23	1	18550148/0		Carburettor Assy	
24	1	18550019/0		Carburettor Gasket Set	
25	1	18550017/0		Governor Link	
26	1	18550149/0		Choke Lever	
28	1	18550129/0		Intake Manifold Assy	
29	1	18550021/0		Brake	
30	1	18550151/0		Governor Spring	
31	1	18550150/0		Linking Spring	
32	1	18550152/0		Control Bracket	
33	1	18550023/0	Skruv	Screw	
34	1	18550022/0		Casing Clamp	
35	1	18550126/0		Magneto Armature	
36	1	18550127/0		Spark Plug Elbow Cover	
37	1	18550071/0		Spark Plug Terminal	
38	1	18550134/0		Spark Plug	
39	8	18550128/0	Skruv	Screw	
44	2	18550027/0		Double-Screw Bolt	
45	1	18550028/0		Gasket, Muffler	
46	1	18550030/0		Spacer, Muffler	
47	1	118550031/1		Muffler	
48	2	18550032/0	Mutter	Nut	
49	1	18550033/0		Muffler Guard	
71	1	22055436/0		Cover Sv40	
72	1	22055437/0		Cover Rv40	

COLLECTOR 46





## COLLECTOR 46

Pos. Fig.	Antal Quantity	Art No Part No	Benämning	Description	Anmärkning Notes
101	1	118550360/0		Cylinder Head Assy	
102	1	118550359/0		Cylinder Head Gasket	
105	1	18550131/0		Seal Ring	
106	1	118550364/0		Gasket Assy	
108	1	118550361/0		Crankshaft	
110	1	118550357/0		Piston Assy	
112	1	118550356/0		Camshaft Assy	
113	1	118550363/0		Speed Governor Assy	
114	1	18550130/0		Crankcase Gasket	
115	1	118550362/0		Crankcase Cover Assy	
116	1	18550131/0		Seal Ring	
117	1	118550358/0		Piston, Ring Set	
150	1	118550157/1		M150 Engine Assembled	