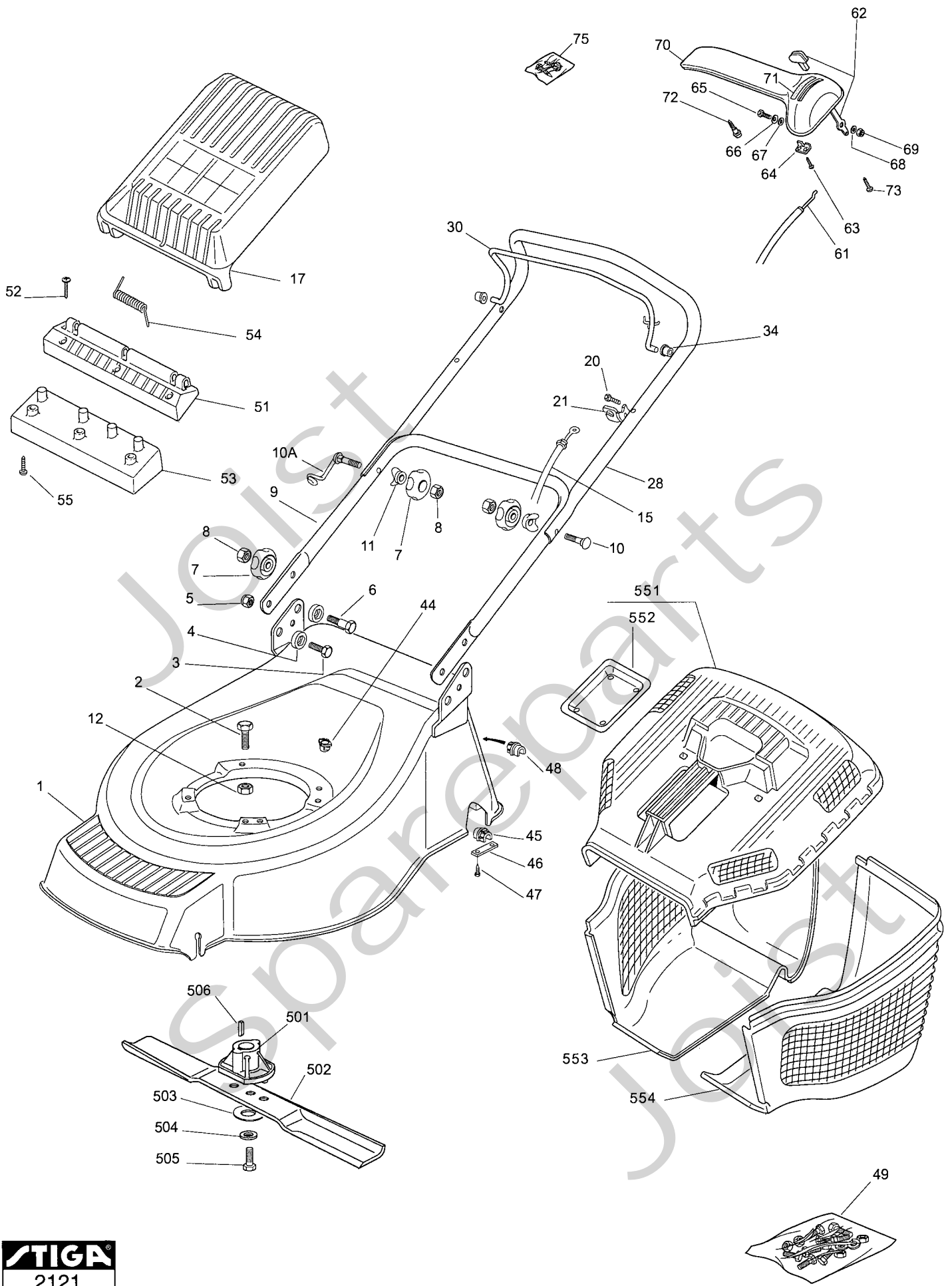


Genuine Spare Parts

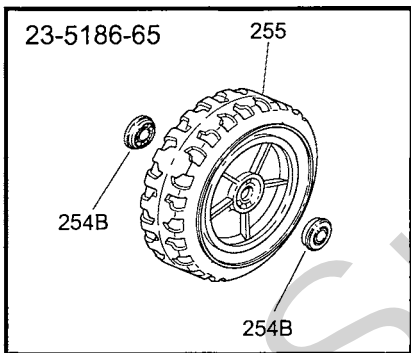
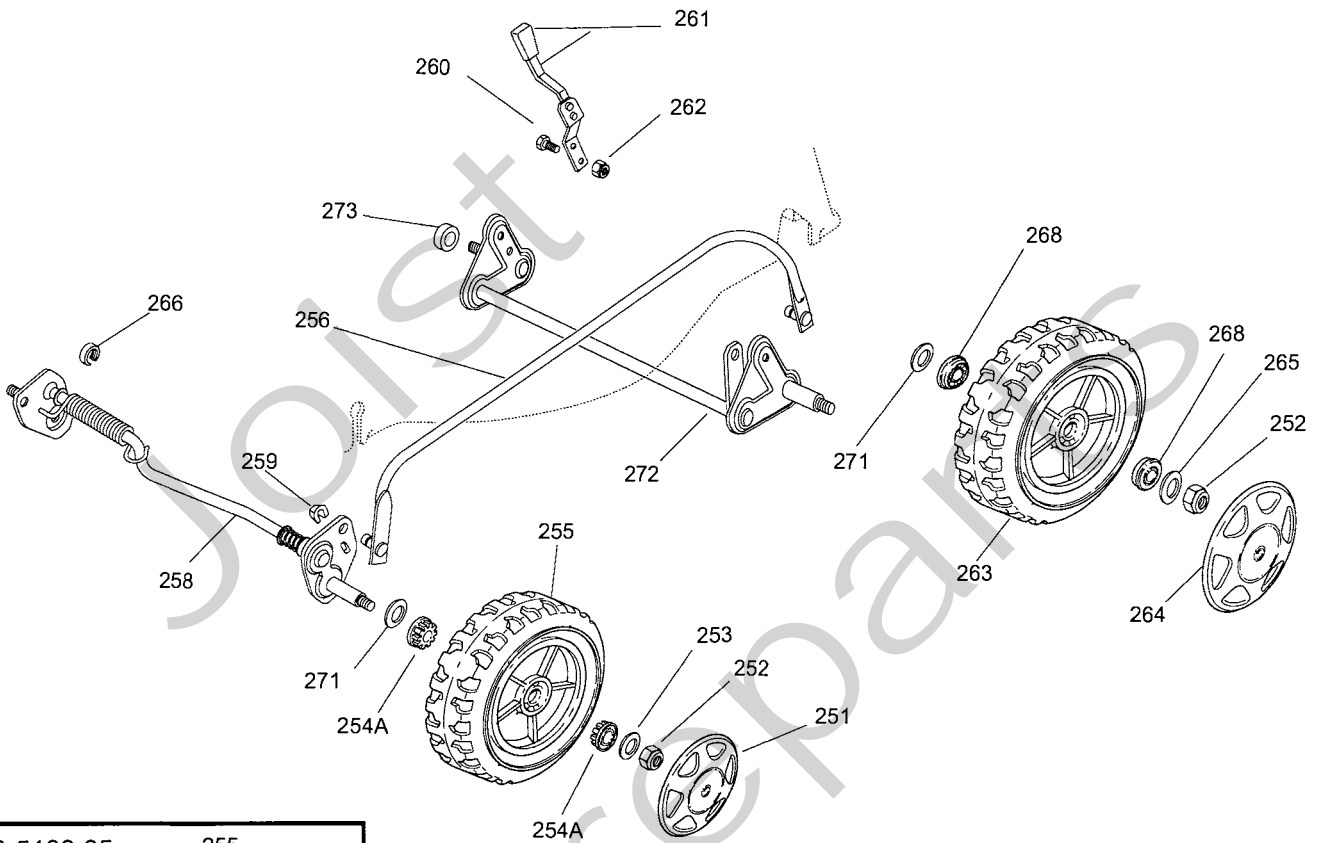


Spareparts
Joist

Utgåva Issue		Bildnr Picture No		COLLECTOR 53 CHASSI STYRE		COLLECTOR 53 CHASSIS HANDLE		Sida Page	
2006- 12		2120						126	
Pos. Fig.	Antal/Quantity			Art nr Part No	Benämning	Description	Sats Kit	Anmärkning Notes	
	5186 -25								
X	1	1		1136-2425-01	Chassi- gul.....	Chassis- yellow			
	2	3/2		9997-0830-16	Skruv	Screw		L = 30 mm	
	2	0/1		9997-0860-16	Skruv	Screw		L = 60 mm	
	3	2		9997-0816-16	Skruv	Screw			
	4	4		1111-3554-01	Bussning	Bushing			
	5	2		9747-0831-02	Mutter	Lock nut			
	6	2		1136-0617-01	Skruv	Screw			
	7	4		1117-3194-01	Lås ratt	Locking knob			
	8	4		9799-0831-02	Mutter	Nut			
	9	1		1136-1193-01	Styre- underdel	Handle- lower			
	10	1		1136-0620-01	Skruv	Screw			
	10A	1		1136-0747-01	Skruv m. ögla	Screw w. loop			
	11	2		1136-0693-01	Bricka	Washer			
	12	3/2		9739-0831-22	Mutter	Nut			
	12	0/1		9747-0831-02	Mutter	Lock nut			
	15	1		1136-1629-01	Styre- överdel	Handle- upper			
	16	1		9997-0635-12	Skruv	Screw			
	17	1		1111-3283-01	Lucka- gul	Flap- yellow			
	18	1		9699-0035-02	Planbricka	Flat washer			
	19	1		9799-0631-02	Mutter	Nut			
X	20	1		1136-2426-01	Motorbromswire	Engine brake cable			
	21	1		9595-0258-00	Spännstift	Locating pin			
	22	1		1117-3221-01	Manöverbygel	OPC lever			
	39	2		1136-0682-01	Bygel	Plate			
	40	4		9847-8119-16	Skruv	Screw			
	41	1		1136-1188-01	Remskydd	Belt guard			
	42	1		1136-0615-01	Skruv	Screw			
	44	1		1136-0665-01	Gummihylsa	Rubber insert			
	46	1		1136-0803-01	Skrivsats	Screw set			
	51	1		1136-0703-01	Luckhållare- gul	Fulcrum- yellow			
	52	3		9836-9525-12	Skruv	Screw			
	53	1		1136-1899-01	Fäste	Holder			
	54	1		1111-2792-01	Fjäder	Spring			
	55	3		1136-1458-01	Skruv	Screw			
	151	1		1136-0604-01	Mutter	Nut			
	152	1		1136-0611-01	Låsbricka	Grower			
	153	1		1136-0659-01	Distans	Spacer			
	154	1		9699-0035-02	Planbricka	Flat washer			
	155	1		1136-0606-01	Fjäderbricka	Spring washer			
	156	1		1136-0766-01	Gasreglagearm	Throttle lever			
	157	1		1136-0764-01	Gasreglagekabel	Throttle cable			
	158	1		1136-0618-01	Skruv	Screw			
	159	1		1136-1884-01	Dekal	Label			
	501	1		1136-0672-01	Knivfäste	Hub			
	502	1		1111-9122-01	Kniv	Blade			
	503	1		1136-0083-01	Fjäderbricka	Elastic washer			
	504	1		1136-0015-01	Bricka	Washer			
	505	1		9987-5251-12	Skruv	Screw			
	506	1		9600-0014-00	Kil	Key			
	551	1		1111-2840-01	Uppsamlarlock- gul	Top collector- yellow			
	552	1		1111-2764-01	• Täckbricka	• Cover			
	553	1		1111-2842-10	Uppsaml. under- hö	Collector lower- R			
	554	1		1111-2841-10	Uppsaml. under- vä	Collector lower- L			



Utgåva Issue		Bildnr Picture No		COLLECTOR 53 CHASSI STYRE	COLLECTOR 53 CHASSIS HANDLE	Sida Page		
2006-12		2121				128		
Pos. Fig.	Antal/Quantity			Art nr Part No	Benämning	Description	Sats Kit	Anmärkning Notes
	5186 -65							
X	1	1		1136-2425-01	Chassi-gul.....	Chassis- yellow		
	2	3/2		9997-0830-16	Skruv	Screw		L = 30 mm
	2	0/1		9997-0860-16	Skruv	Screw		L = 60 mm
	3	2		9997-0816-16	Skruv	Screw		
	4	4		1111-3554-01	Bussning	Bushing.....		
	5	2		9747-0831-02	Mutter.....	Lock nut.....		
	6	2		1136-0617-01	Skruv	Screw		
	7	4		1117-3194-01	Låsrott	Locking knob		
	8	4		9799-0831-02	Mutter.....	Nut		
	9	1		1136-1193-01	Styre- underdel.....	Handle- lower		
	10	1		1136-0620-01	Skruv	Screw		
	10A	1		1136-0747-01	Skruv m. ögla	Screw w. loop		
	11	2		1136-0693-01	Bricka	Washer.....		
	12	3/2		9739-0831-22	Mutter.....	Nut		
	12	0/1		9747-0831-02	Mutter.....	Lock nut.....		
	15	1		1136-0716-01	Motorbromswire.....	Engine brake cable.....		
	17	1		1111-3283-01	Lucka- gul.....	Flap- yellow		
	20	1		1136-1506-01	Skruv	Screw		
	21	1		1136-1523-01	Fäste.....	Support.....		
	28	1		1136-1533-01	Styre- överdel	Handle- upper		
	30	1		1136-0746-01	Motorbromsbygel.....	Engine brake lever		
	34	2		1136-0640-01	Bussning	Bush.....		
	44	1		1136-0665-01	Gummihylsa.....	Rubber insert.....		
	45	1		1136-0636-01	Bussning- vä.....	Bush- LH		
	46	2		1136-0681-01	Plåt	Plate		
	47	4		1136-1317-01	Skruv	Screw		
	48	1		1136-0635-01	Bussning- hö	Bush- RH		
	49	1		1136-0803-01	Skruvsats.....	Screw set.....		
	51	1		1136-0703-01	Luckhållare- gul	Fulcrum- yellow.....		
	52	3		9836-9525-12	Skruv	Screw		
	53	1		1136-1899-01	Fäste.....	Holder		
	54	1		1111-2792-01	Fjäder.....	Spring		
	55	3		1136-1458-01	Skruv	Screw		
	61	1		1136-0765-01	Gasreglagewire.....	Throttle cable		
	62	1		1136-0767-01	Gasreglage.....	Throttle lever		
	63	2		9847-7816-16	Skruv	Screw		
	64	1		1136-0709-01	Fäste.....	Plate		
	65	1		9997-0625-16	Skruv	Screw		
	66	1		1136-0608-01	Bricka	Washer.....		
	67	1		9699-0060-02	Planbricka.....	Flat washer.....		
	68	1		9699-0060-02	Planbricka.....	Flat washer.....		
	69	1		9747-0631-02	Låsmutter.....	Lock nut.....		
X	70	1		1136-2282-01	Panel- svart.....	Dashboard- black		
	71	1		1136-0622-01	Dekal	Label		
	72	1		1136-0708-01	Skruv	Screw		
	73	1		9847-8038-16	Skruv	Screw		
	75	1		1136-0775-01	Skruvsats- panel	Screw set- dashboard		
	501	1		1136-0672-01	Knivfäste.....	Hub		
	502	1		1111-9122-01	Kniv	Blade		
	503	1		1136-0083-01	Fjäderbricka	Elastic washer		
	504	1		1136-0015-01	Bricka	Washer.....		
	505	1		9987-5251-12	Skruv	Screw		
	506	1		9600-0014-00	Kil	Key.....		
	551	1		1111-2840-01	Uppsamlarlock- gul.....	Top collector- yellow		
	552	1		1111-2764-01	• Täckbricka	• Cover.....		
	553	1		1111-2842-10	Uppsaml. under- hö.....	Collector lower- R		
	554	1		1111-2841-10	Uppsaml. under- vä	Collector lower- L		



Utgåva Issue		Bildnr Picture No		COLLECTOR 53 HJULUPPHÄNGNING		COLLECTOR 53 WHEEL SUSPENSION		Sida Page	
2006- 12		2122						130	
Pos. Fig.	Antal/Quantity			Art nr Part No	Benämning	Description	Sats Kit	Anmärkning Notes	
	5186 -25	5186 -65							
251	2	2		1136-1894-01	Navkapsel- gul	Hub cap- yellow.....			
252	4	4		9747-0831-02	Mutter.....	Lock nut.....			
253	2	2		9699-0028-02	Planbricka.....	Flat washer.....			
254A	4			1136-0634-01	Bussning.....	Bush.....			
254B		4		1136-0655-01	Kullager.....	Ball bearing.....			
255	2	2		1136-1520-01	Hjul.....	Wheel.....			
256	1	1		1136-0756-01	Höjdställningsstång.....	Height adjust rod.....			
258	1	1		1136-0712-01	Framaxel.....	Front wheel axle.....			
259	2	2		1136-0009-01	Låsplatta.....	Lock plate.....			
260	2	2		9997-0512-16	Skruv.....	Screw.....			
261	1	1		1136-0743-01	Höjdställningsspak.....	Height adjust lever.....			
262	2	2		9747-0531-02	Mutter.....	Nut.....			
263	2	2		1136-0772-01	Hjul.....	Wheel.....			
264	2	2		1136-0646-01	Navkapsel- gul.....	Hub cap- yellow.....			
265	2	2		1136-0006-01	Fjäderbricka.....	Elastic washer.....			
266	1	1		1136-0658-01	Distans.....	Spacer.....			
268	4	4		1136-0655-01	Kullager.....	Ball bearing.....			
271	2	2		1136-0609-01	Fjäderbricka.....	Elastic washer.....			
272	1	1		1136-0729-01	Bakaxel.....	Rear wheel axle.....			
273	1	1		1136-0658-01	Distans.....	Spacer.....			