

Genuine Spare Parts

www.stiga.com

TURBO 45 B Model Year 2012

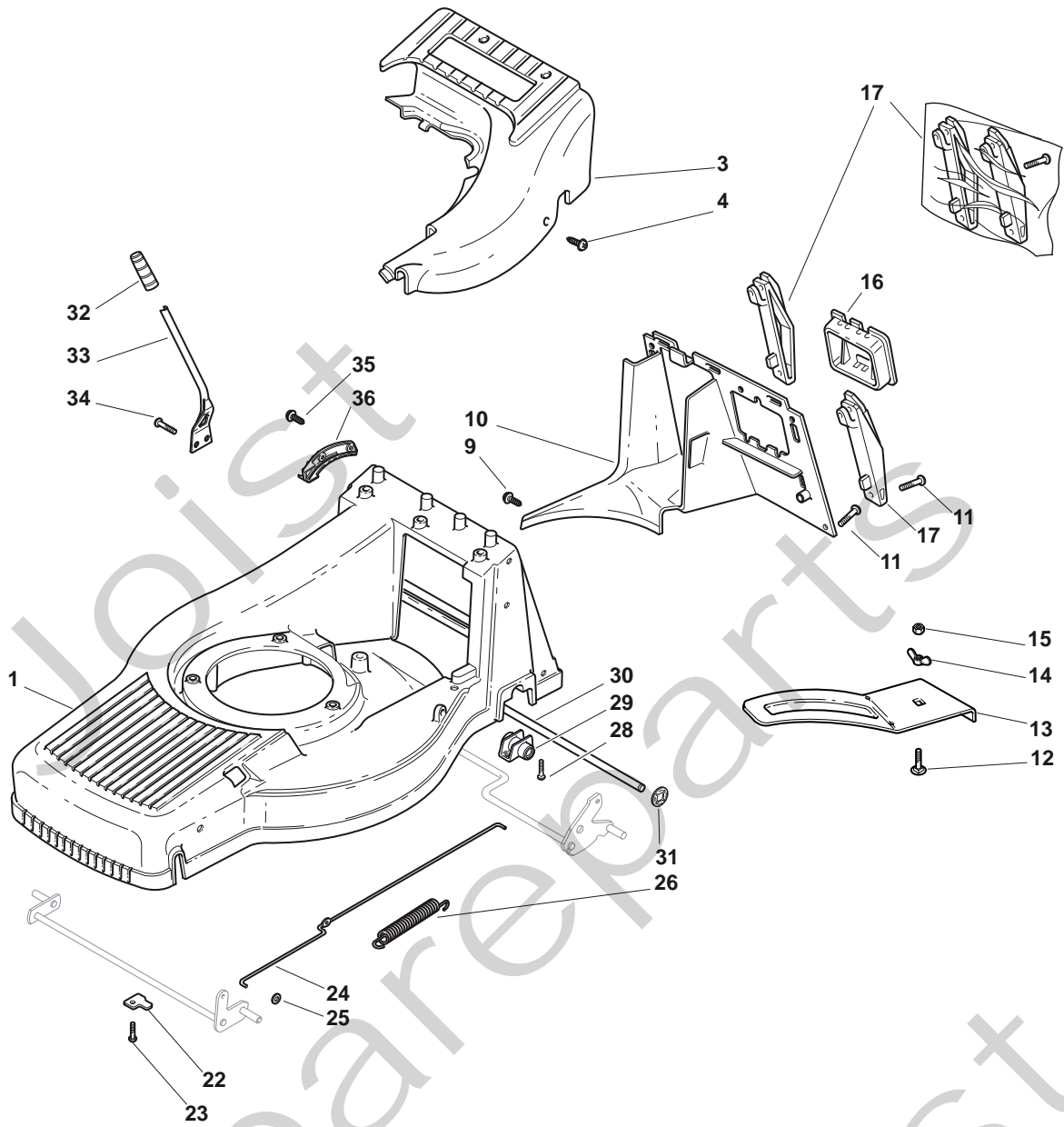
- Use GLOBAL GARDEN PRODUCT Genuine Spare Parts specified in the parts list for repair and/or replacement.
- The contents described in the parts list may change due to improvement.
- The drawings of the spare parts are only indicative and might not represent the part in question exactly.
- The indications "right" - "left" - "front" - "rear" refer to the position of the operator when using the machine.
- When placing orders of parts for repair and/or replacement, make sure that the illustrated parts list is the one applying to the machine's year of manufacture, as shown on the identification plate attached to the machine.

© Copyright 2012 Global Garden Products

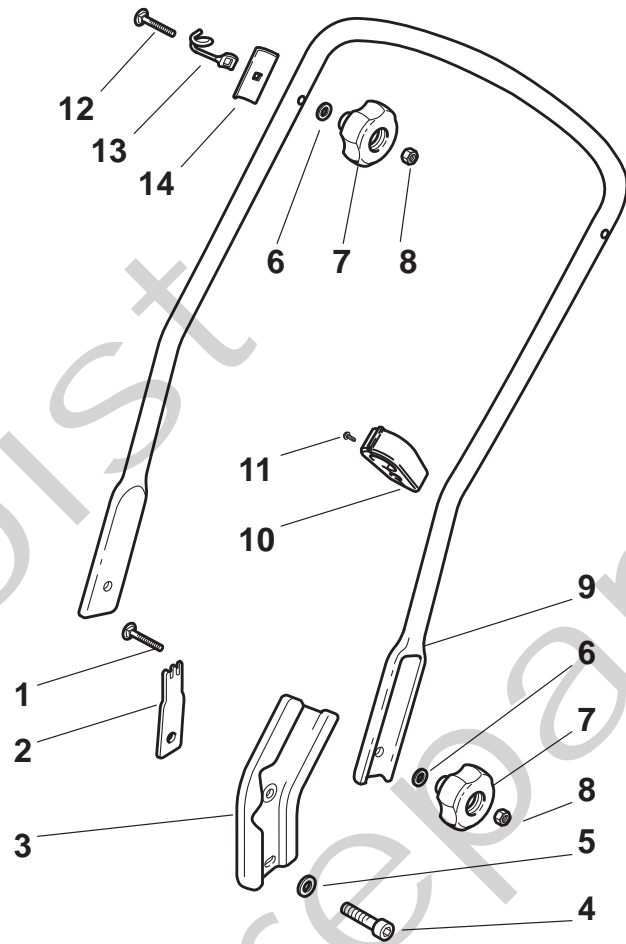
All content is subject to copyright by Global Garden Products and may not be reproduced in whole or in part by any means, electronic or otherwise, without prior written approval.

THIS INFORMATION IS NOT INTENDED FOR SALE OR RESALE, AND THIS NOTICE MUST REMAIN ON ALL COPIES.

STIGA®

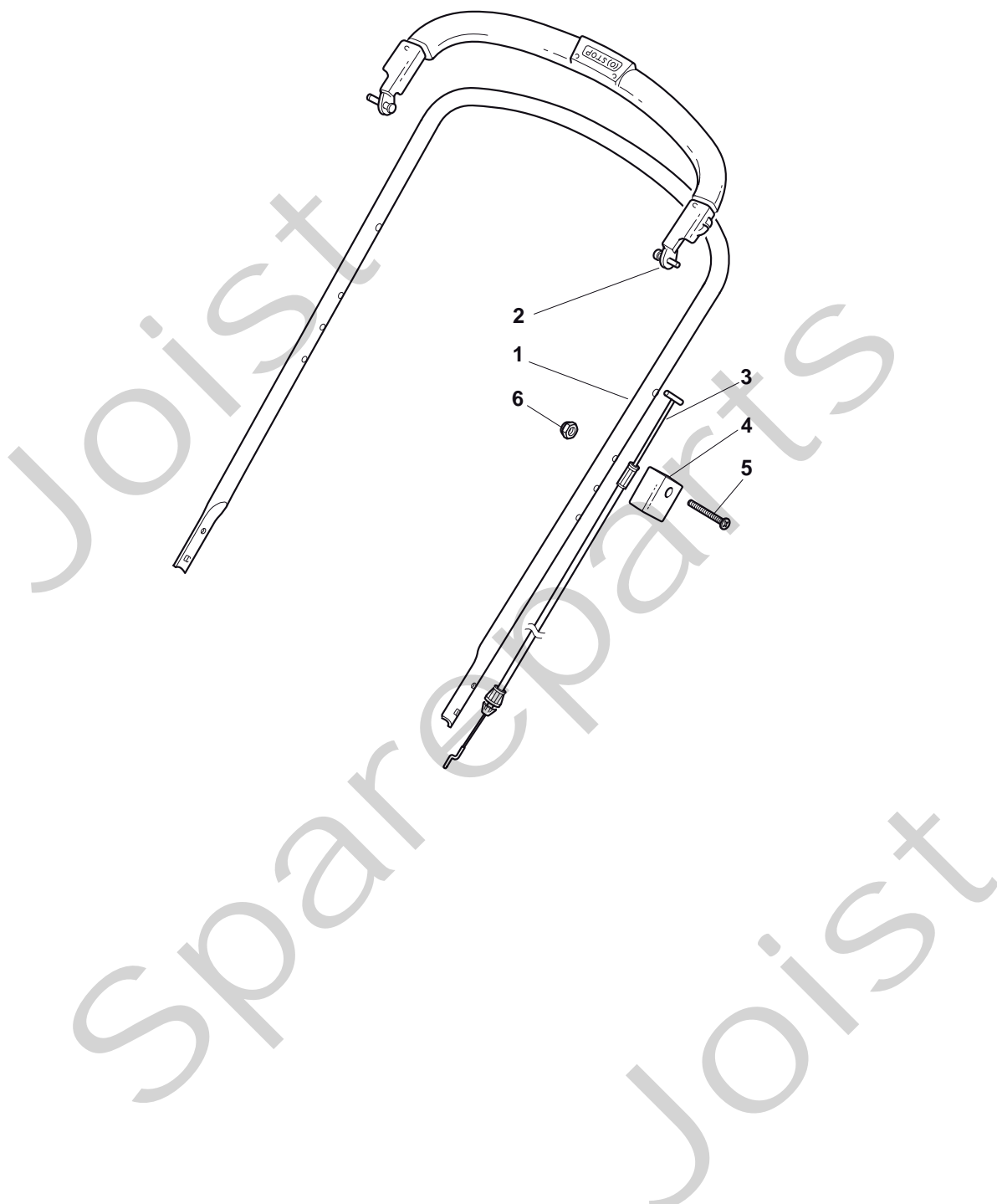


Position	Part No.	Q.Ty	Description
1	381002656/1	1	Deck Yellow
3	22060151/0	1	Protection, Yellow
4	12728300/0	3	Screw
9	12728300/0	1	Screw
10	22108279/0	1	Rear Conveyor Assy
11	12735664/0	3	Screw
12	12818690/0	1	Screw
13	22140229/0	1	Deflector
14	22399807/0	1	Knob
15	12293200/0	1	Nut
16	22109531/0	1	Cover
17	81008658/1	1	Outfit, Supports
22	22545160/0	2	Plate
23	12735664/0	2	Screw
24	22033321/0	1	Rod, Height Adjustment Control
25	12604898/0	2	Crown Fastener
26	22446181/0	1	Spring
28	12735664/0	4	Screw
29	22785153/0	2	Support, Gear Box
30	22033383/0	1	Axle, Rear Wheels
31	22020050/0	2	Snap Ring
32	22399808/0	1	Knob
33	22321515/0	1	Lever, Height Adjustment
34	12735661/0	2	Screw
35	12728300/0	2	Screw
36	22735563/0	1	Sector, Height Adjustment



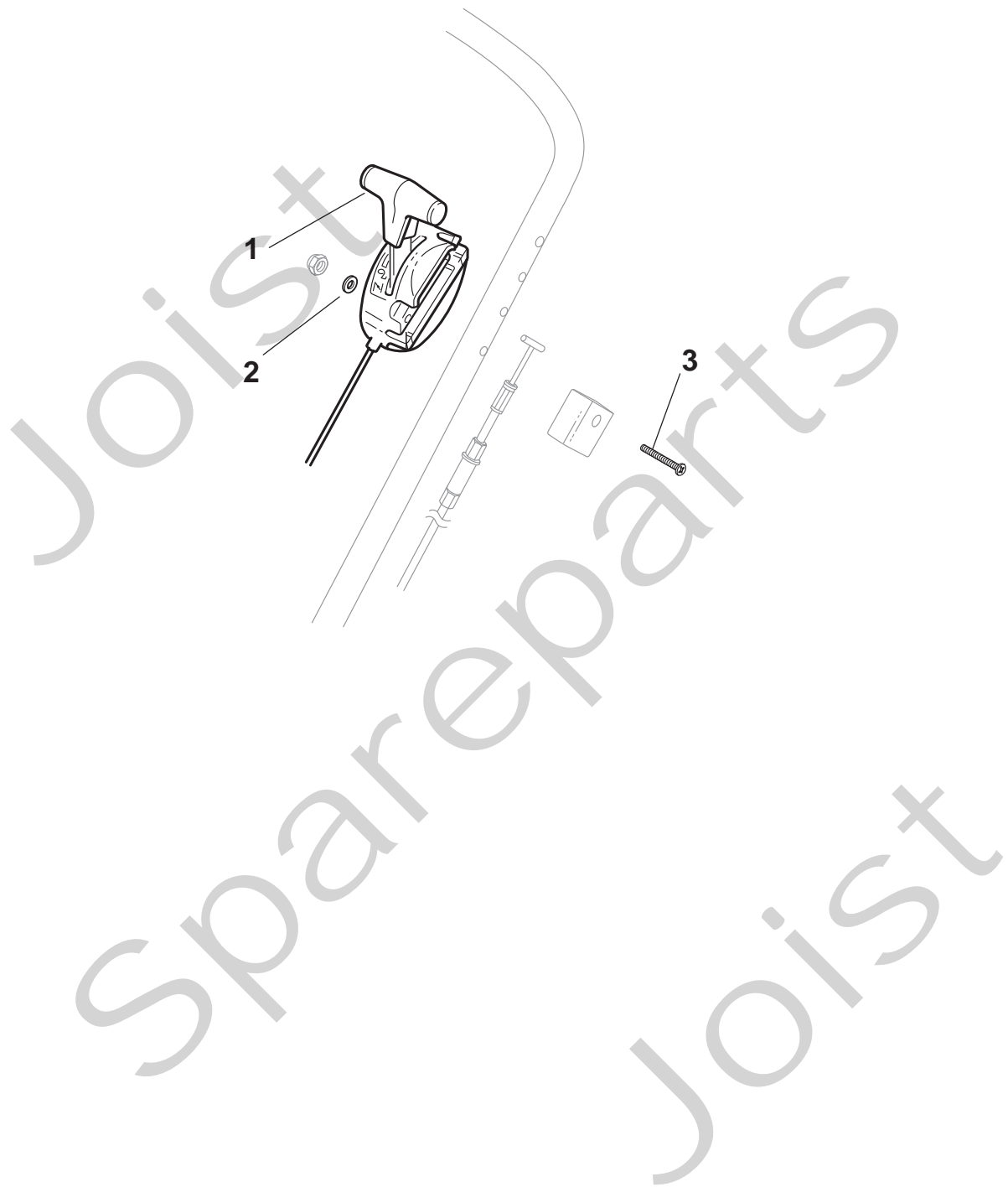
Position	Part No.	Q.Ty	Description
1	12820655/0	2	Screw
2	22551635/0	1	Plate For Handle
3	22778405/0	2	Support
4	12760515/0	2	Screw
5	12521350/0	2	Washer
6	12521350/0	4	Washer
7	22399810/0	4	Knob
8	12361005/0	4	Nut
9	81006612/0	1	Handle, Lower Part
10	22192001/0	1	Anchor Clamp
11	12728691/0	1	Screw
12	12820655/0	2	Screw
13	22430311/0	1	Guide Spring
14	22545137/0	2	Plate For Handle Fastening

Joist
Spareparts
Joist



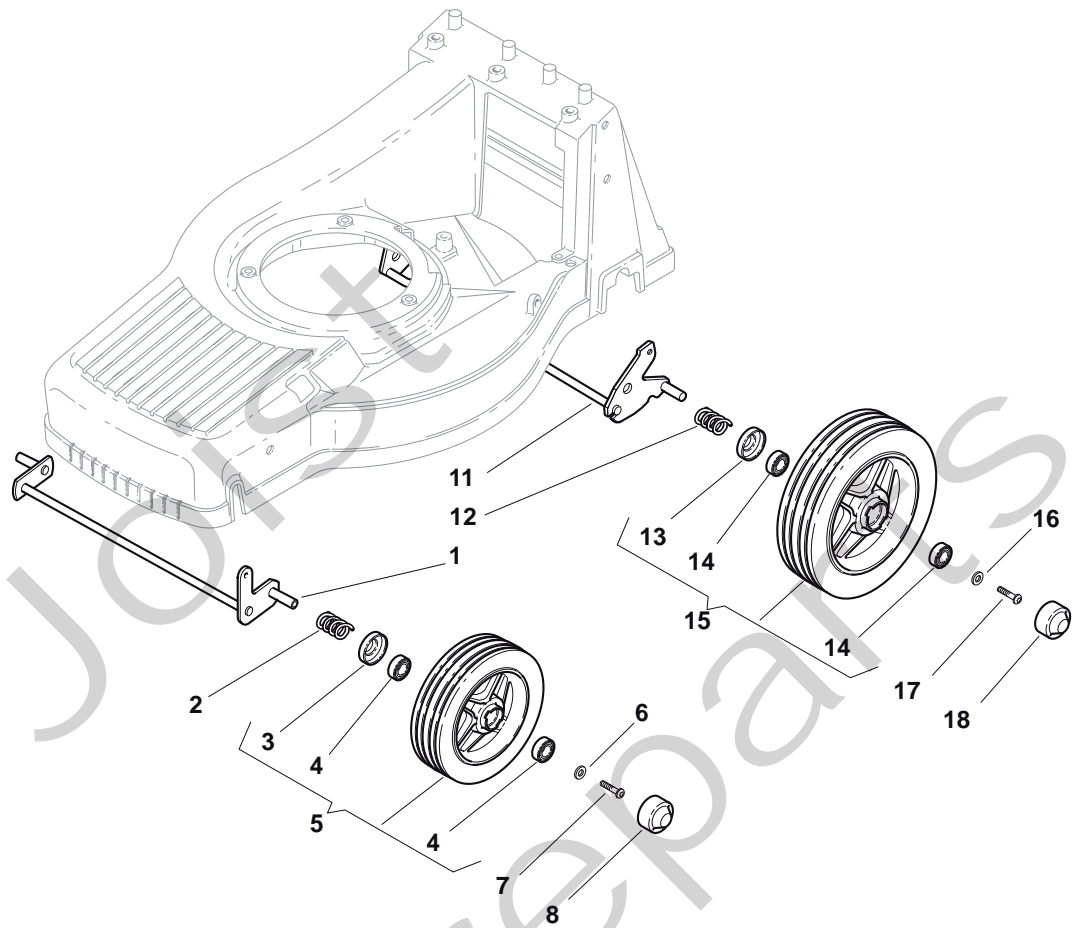
Position	Part No.	Q.Ty	Description
1	81006616/1	1	Handle, Upper Part
2	381003330/0	1	Lever, Engine Brake
3	81000685/0	1	Cable, Thread Engine Brake
4	22551640/0	1	Plate
5	12727783/0	1	Screw
6	12154510/0	1	Nut

Joist
Spareparts
Joist



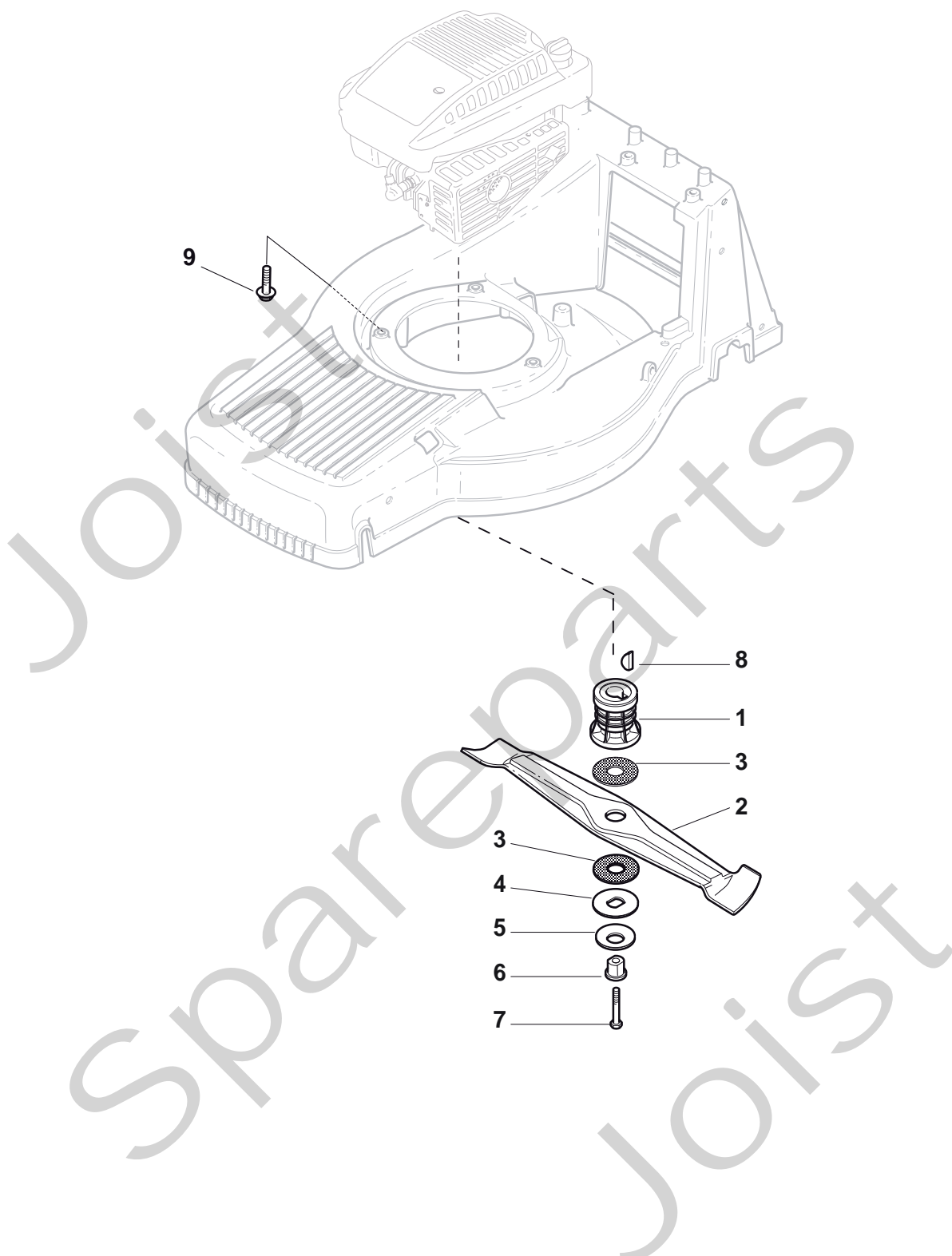
Position	Part No.	Q.Ty	Description
1	181007127/1	1	Throttle Cable
2	12523040/0	1	Washer
3	12727787/0	1	Screw

Joist
Spareparts
Joist



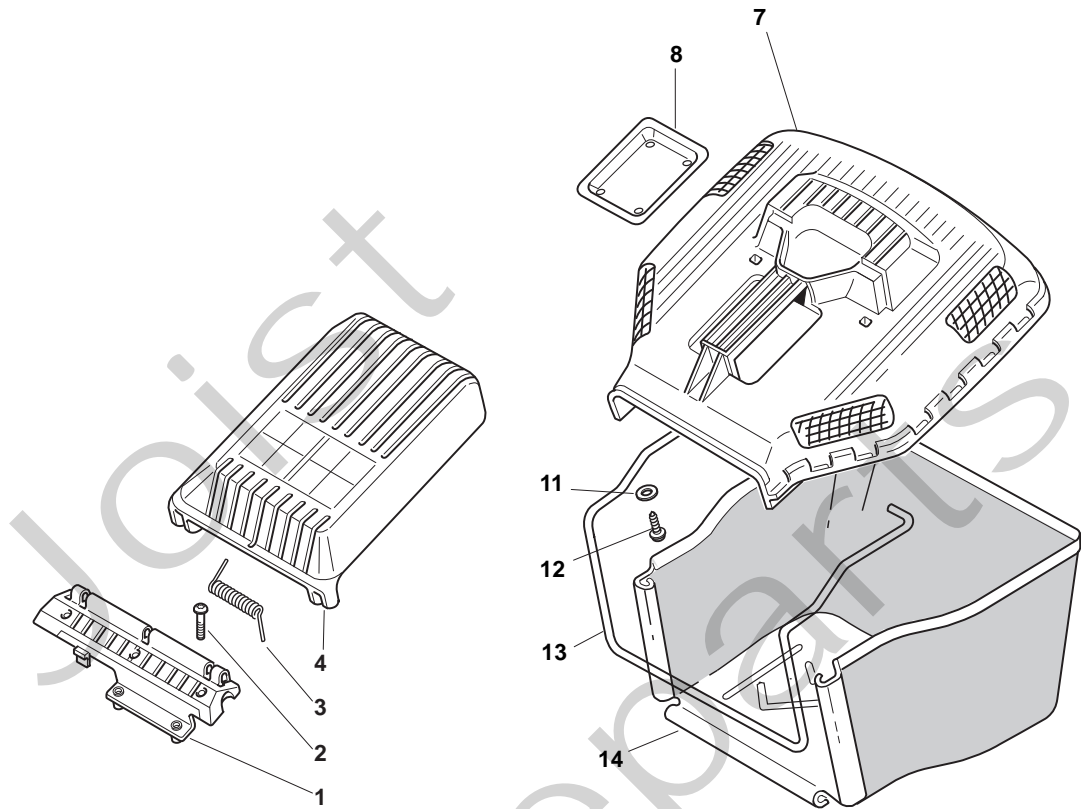
Position	Part No.	Q.Ty	Description
1	81002817/0	1	Axle, Front Wheels
2	22430210/0	2	Spring
3	22160522/0	2	Dust Cover
4	19216039/0	4	Bearing
5	81007363/0	2	Wheel Ø 175
6	12521460/0	2	Washer
7	112735662/1	2	Screw
8	22110379/0	2	Hub Cap
11	81002819/0	1	Axle, Rear Wheels
12	22430215/0	2	Spring
13	22160522/0	2	Dust Cover
14	19216039/0	4	Bearing
15	381007364/0	2	Wheel Ø 190
16	12521460/0	2	Washer
17	12735592/0	2	Screw
18	22110380/0	2	Hub Cap

Joist
Spareparts
Joist



Position	Part No.	Q.Ty	Description
1	22465619/0	1	Hub With Pulley, Crankshaft Ø 22.2
2	81004132/0	1	Blade Winged
3	22672111/0	2	Clutch Washer
4	22672105/0	1	Washer
5	12508120/0	1	Cupped Spring
6	22041940/0	1	Clutch Bush
7	12736850/0	1	Screw
8	12139100/0	1	Feather, Crankshaft Ø 22.2
9	112735108/1	3	Screw

Joist
Spareparts
Joist



Position	Part No.	Q.Ty	Description
1	22785156/0	1	Support, Yellow
2	12735664/0	3	Screw
3	22450443/0	1	Spring
4	22600080/0	1	Stone-Guard, Yellow
7	22486115/0	1	Grass-Box, Upper Part
8	22486098/0	1	Plate
11	12521460/0	2	Washer
12	12728300/0	2	Screw
13	22608518/0	1	Stiffening Lower
14	81002239/0	1	Box, Fabric

Joist
Spareparts
Joist