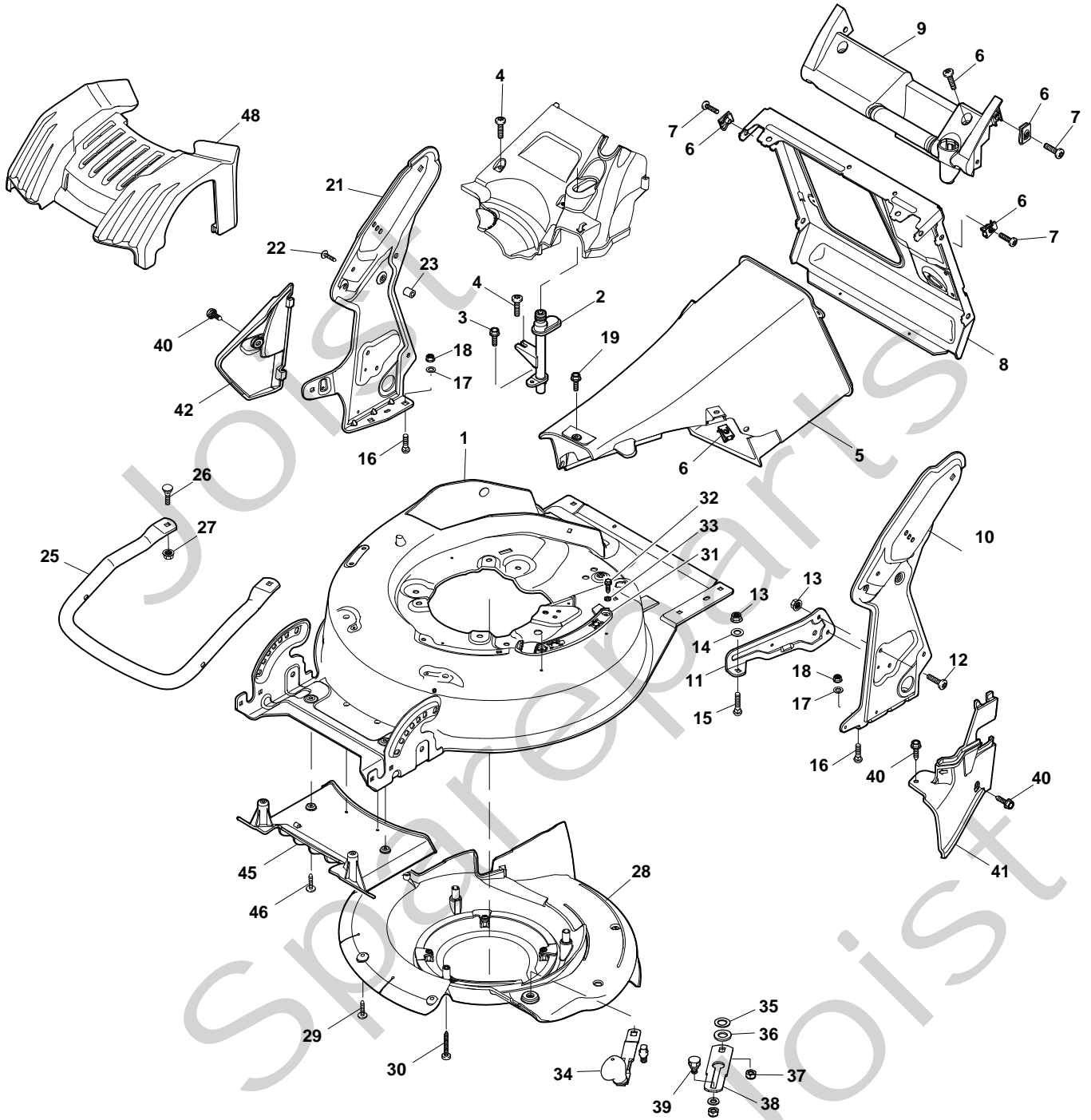


Genuine Spare Parts

TURBO EXCEL 50

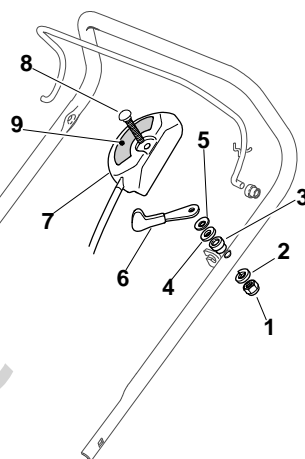




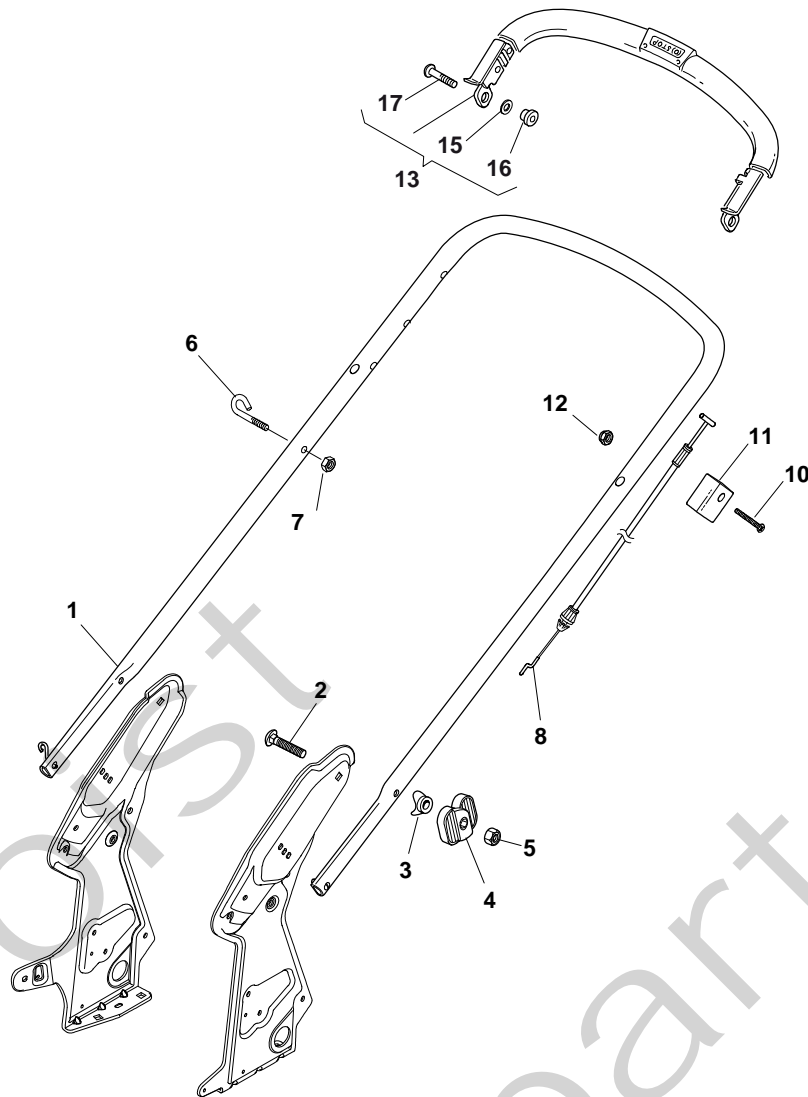


TURBO EXCEL 50 - Model Year 2009

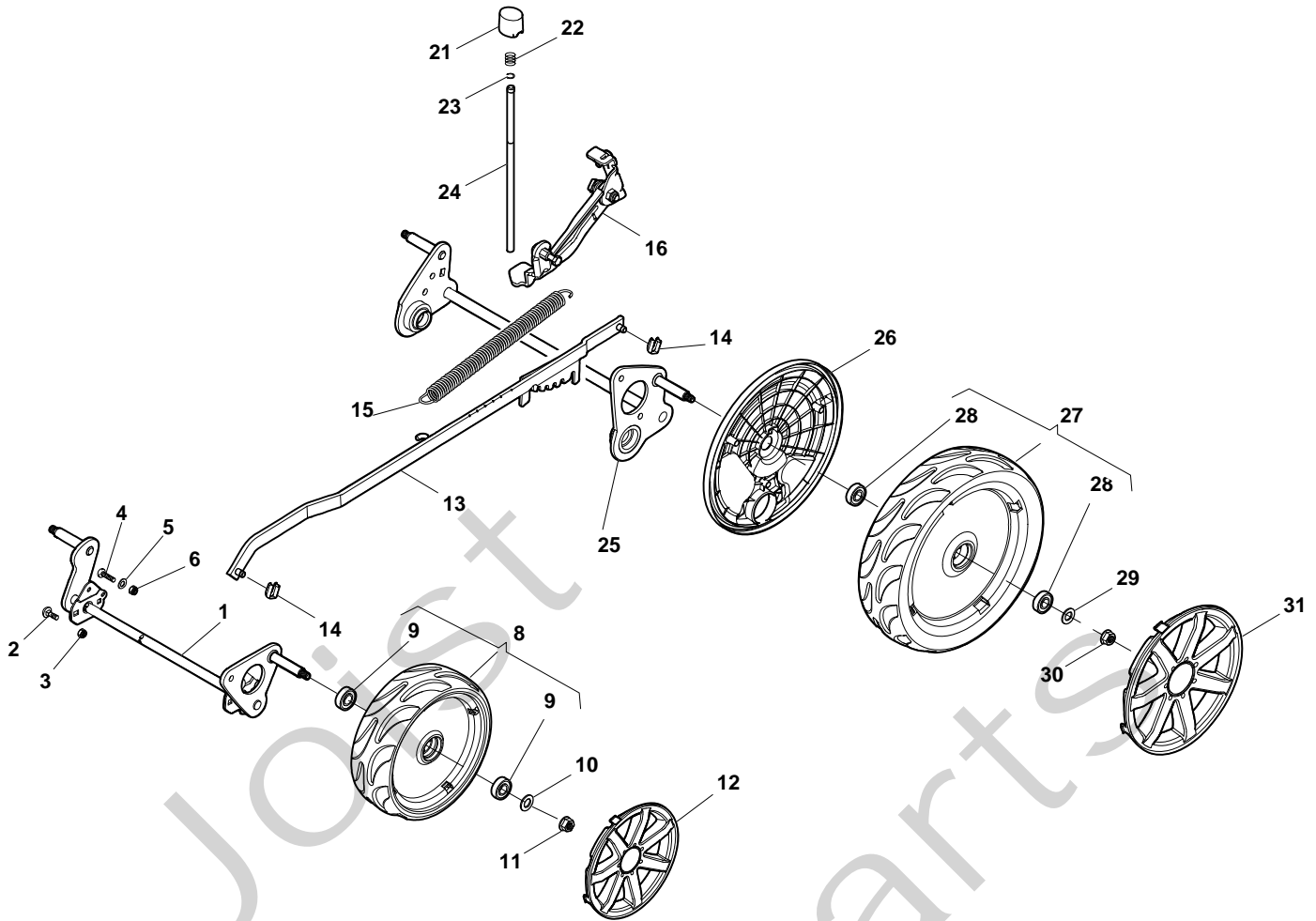
| Pos. Fig. | Antal Quantity | Art No Part No | Benämning | Description | Anmärkning Notes |
|-----------|----------------|----------------|------------------|--------------------|------------------|
| 1 | 1 | 322064706/0 | Chassi | Deck INOX | |
| 1 | 1 | 381003852/0 | Chassi | Deck Grey | |
| 2 | 1 | 322034001/0 | Slanganslutning | Washing Connection | |
| 3 | 1 | 125943004/0 | Skruv | Screw | |
| 4 | 2 | 112727802/0 | Skruv | Screw | |
| 5 | 1 | 322108290/0 | Inmatningstratt | Conveyor Yellow | |
| 6 | 10 | 112437507/0 | Plåt | Plate | |
| 7 | 8 | 112727802/0 | Skruv | Screw | |
| 8 | 1 | 381545321/0 | Platta | Rear Plate | |
| 8 | 1 | 381545323/0 | Platta | Rear Plate | |
| 9 | 1 | 322785282/0 | Stöd | Support | |
| 10 | 1 | 381545327/0 | Fäste-vä | Bracket, L | |
| 11 | 1 | 322545191/0 | Stöd | Support | |
| 12 | 2 | 112727803/0 | Skruv | Screw | |
| 13 | 2 | 12154510/0 | Mutter | Nut | |
| 14 | 1 | 12521330/0 | Bricka | Washer | |
| 15 | 1 | 12815200/0 | Skruv | Screw | |
| 16 | 4 | 12818690/0 | Skruv | Screw | |
| 17 | 4 | 12521350/0 | Bricka | Washer | |
| 18 | 4 | 12155000/0 | Mutter | Nut | |
| 19 | 1 | 12729601/1 | Skruv | Screw | |
| 21 | 1 | 381545325/0 | Fäste-hö | Bracket, R | |
| 22 | 2 | 112735662/1 | Skruv | Screw | |
| 23 | 2 | 122534128/0 | Pin | Pin | |
| 25 | 2 | 381393701/0 | Hjulskydd | Protection | |
| 26 | 2 | 12815205/0 | Skruv | Screw | |
| 27 | 2 | 12154510/0 | Mutter | Nut | |
| 28 | 1 | 381102200/0 | Skydd | Protection | |
| 29 | 2 | 125943004/0 | Skruv | Screw | |
| 30 | 3 | 112735115/0 | Skruv | Screw | |
| 31 | 1 | 322500052/1 | Glidblock | Shoe | |
| 32 | 2 | 12731580/0 | Skruv | Screw | |
| 33 | 2 | 12521331/0 | Bricka | Washer | |
| 34 | 1 | 381003338/0 | Arm | Lever | |
| 35 | 1 | 21660100/0 | Bricka | Washer | |
| 36 | 1 | 12521370/0 | Bricka | Washer | |
| 37 | 1 | 12293201/0 | Mutter | Nut | |
| 38 | 1 | 322320009/0 | Arm | Lever | |
| 39 | 1 | 122042022/0 | Bussning | Bush | |
| 40 | 3 | 125943004/0 | Skruv | Screw | |
| 41 | 1 | 322109826/0 | Skydd | Guard Black | |
| 42 | 1 | 322109825/0 | Skydd | Guard Black | |
| 45 | 1 | 322500100/0 | Air Intake Grill | Air Intake Grill | |
| 46 | 6 | 112728706/0 | Skruv | Screw | |
| 48 | 1 | 322226135/0 | Frontklpa-gul | Mask, Yellow | |



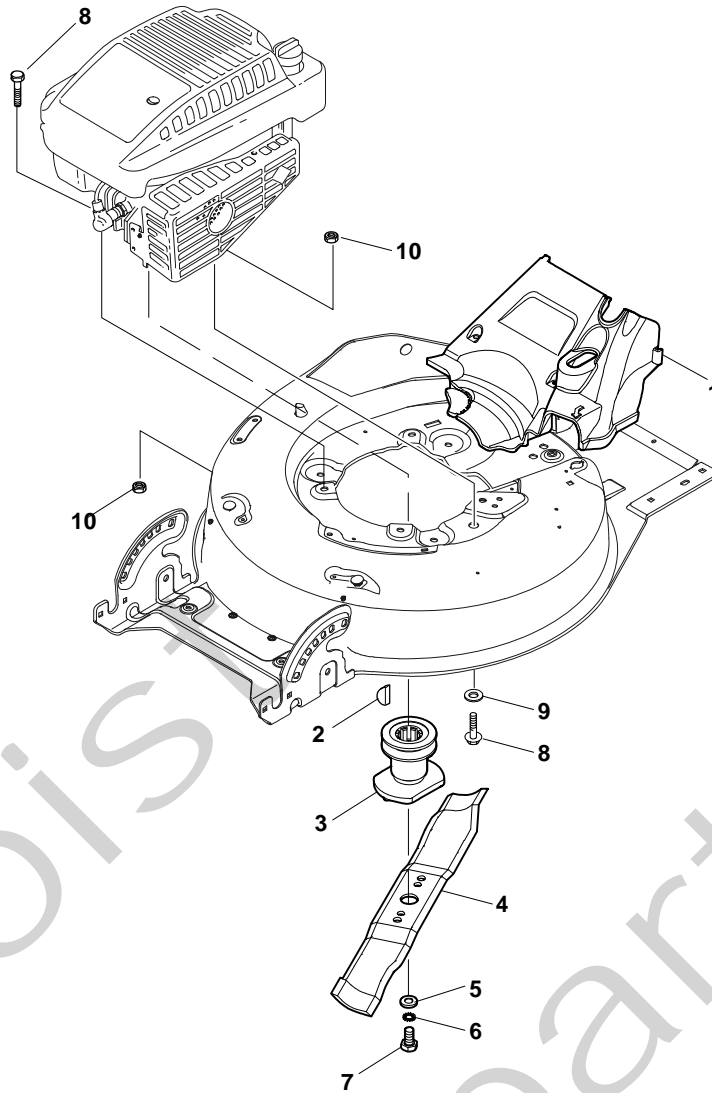
| Pos. Fig. | Antal Quantity | Art No Part No | Benämning | Description | Anmärkning Notes |
|-----------|----------------|----------------|-----------|-----------------|------------------|
| 1 | 1 | 12291000/0 | Mutter | Nut | |
| 2 | 1 | 12581500/0 | Låsbricka | Grower | |
| 3 | 1 | 22171005/0 | Distans | Spacer | |
| 4 | 1 | 12521360/0 | Bricka | Washer | |
| 5 | 1 | 12508100/0 | Låsbricka | Washer | |
| 6 | 1 | 81007220/0 | Gasarm | Lever, Throttle | |
| 6 | 1 | 81007279/1 | Gasarm | Lever, Throttle | |
| 7 | 1 | 81007080/0 | Gaswire | Cable, Throttle | |
| 8 | 1 | 12815000/0 | Skruv | Screw | |
| 9 | 1 | 114356905/0 | Dekal | Label | |
| 9 | 1 | 114364264/0 | Dekal | Label | |
| 9 | 1 | 14356702/0 | Dekal | Label | |
| 9 | 1 | 14356703/0 | Dekal | Label | |

TURBO EXCEL 50 - Model Year 2009


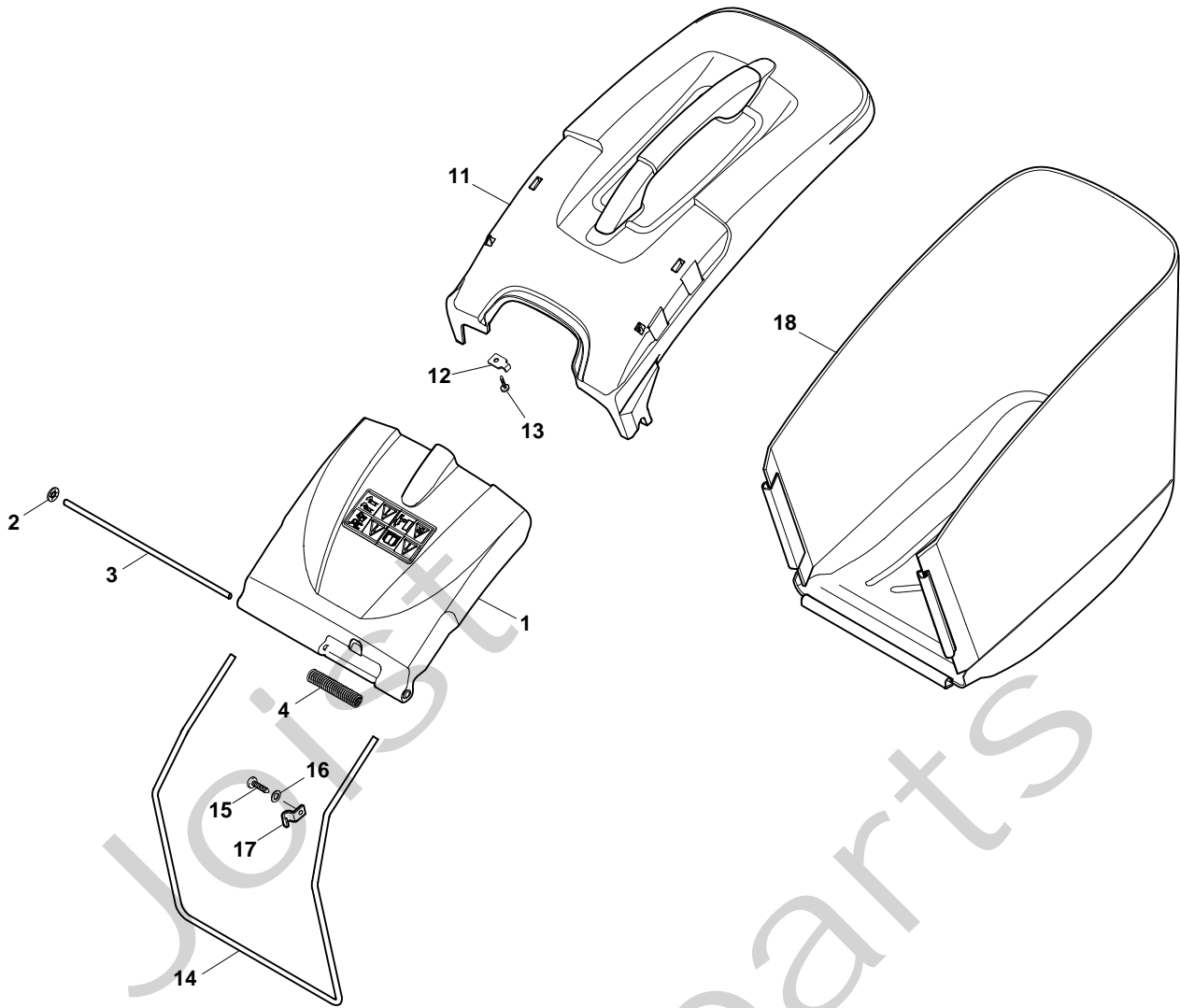
| Pos. Fig. | Antal Quantity | Art No Part No | Benämning | Description | Anmärkning Notes |
|-----------|----------------|----------------|----------------|----------------------------|------------------|
| 1 | 1 | 381006877/0 | Styre-överdel | Handle, Upper Part | |
| 2 | 2 | 12819120/0 | Skruv | Screw | |
| 3 | 2 | 22680006/1 | Bricka | Washer | |
| 4 | 2 | 22399803/0 | Knopp | Knob | |
| 5 | 2 | 12293200/0 | Mutter | Nut | |
| 6 | 1 | 22430313/0 | Ögla | Guide Spring | |
| 7 | 1 | 12154510/0 | Mutter | Nut | |
| 8 | 1 | 181030041/0 | Motorbromswire | Cable, Thread Engine Brake | |
| 8 | 1 | 181030043/0 | Motorbromswire | Cable, Thread Engine Brake | |
| 10 | 2 | 12689500/0 | Skruv | Screw | |
| 11 | 1 | 22551640/0 | Wirefäste | Plate | |
| 12 | 1 | 12154510/0 | Mutter | Nut | |
| 13 | 1 | 381003330/0 | Reglagebygel | Lever, Engine Brake | |
| 15 | 2 | 12523010/0 | Bricka | Washer | |
| 16 | 2 | 22041960/0 | Bussning | Bush | |
| 17 | 2 | 122524328/0 | Sprint | Pin | |

TURBO EXCEL 50 - Model Year 2009


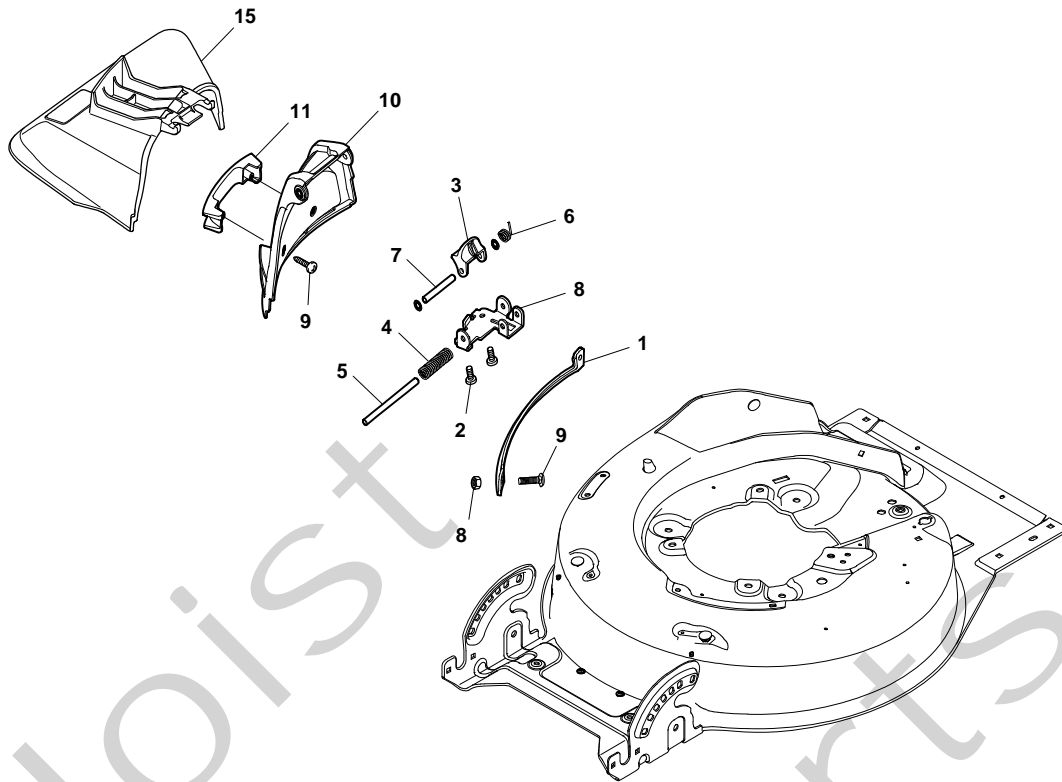
| Pos. Fig. | Antal Quantity | Art No Part No | Benämning | Description | Anmärkning Notes |
|-----------|----------------|----------------|--------------------|--------------------------|------------------|
| 1 | 1 | 381002869/0 | Hjulaxel | Axle, Front Wheels | |
| 2 | 4 | 12815205/0 | Skruv | Screw | |
| 3 | 4 | 12154510/0 | Mutter | Nut | |
| 4 | 2 | 112727799/0 | Skruv | Screw | |
| 5 | 2 | 12523040/0 | Bricka | Washer | |
| 6 | 2 | 12154510/0 | Mutter | Nut | |
| 8 | 2 | 381007394/0 | Stödhjul | Wheel D.210 | |
| 9 | 4 | 19216035/0 | Lager | Bearing | |
| 10 | 2 | 12521350/0 | Bricka | Washer | |
| 11 | 2 | 12155000/0 | Mutter | Nut | |
| 12 | 2 | 322110597/0 | Navkapsel | Hub Cap | |
| 13 | 1 | 381002026/0 | Höjdinställn.stång | Rod, Height Adjustment | |
| 14 | 2 | 112436051/0 | Plåt | Plate | |
| 15 | 1 | 122450459/0 | Fjäder | Spring | |
| 16 | 1 | 381003337/0 | Höjdinst.spak | Lever, Height Adjustment | |
| 21 | 1 | 322602012/0 | Tryckring | Button | |
| 22 | 1 | 122450462/0 | Fjäder | Spring | |
| 23 | 1 | 12000930/0 | Låsring | Snap Ring | |
| 24 | 1 | 122033351/0 | Stång | Rod | |
| 25 | 1 | 381002871/0 | Hjulaxel | Axle, Rear Wheels | |
| 26 | 2 | 322600178/0 | Hjulskydd | Protection, Wheel | |
| 27 | 2 | 381007395/0 | Stödhjul | Wheel D.260 | |
| 28 | 4 | 19216035/0 | Lager | Bearing | |
| 29 | 2 | 12521350/0 | Bricka | Washer | |
| 30 | 2 | 12155000/0 | Mutter | Nut | |
| 31 | 2 | 322110598/0 | Navkapsel | Hub Cap | |



| Pos. Fig. | Antal Quantity | Art No Part No | Benämning | Description | Anmärkning Notes |
|-----------|----------------|----------------|-----------|----------------------------------|------------------|
| 1 | 1 | 322060230/0 | Skydd | Protection | |
| 2 | 1 | 12139100/0 | Kil | Key | |
| 2 | 1 | 12139150/0 | Kil | Feather | |
| 3 | 1 | 122465608/1 | Knivfäste | Hub With Pulley, Crankshaft D.25 | |
| 3 | 1 | 22465607/2 | Knivfäste | Hub With Pulley | |
| 4 | 1 | 81004366/2 | Kniv | Blade Standard | |
| 5 | 1 | 22160400/0 | Bricka | Elastic Washer | |
| 6 | 1 | 12523080/0 | Bricka | Washer | |
| 7 | 1 | 12736815/0 | Skruv | Screw | |
| 8 | 3 | 12691100/0 | Skruv | Screw | |
| 9 | 1 | 12521350/0 | Bricka | Washer | |
| 10 | 3 | 12154210/0 | Mutter | Nut | |



| Pos. Fig. | Antal Quantity | Art No Part No | Benämning | Description | Anmärkning Notes |
|-----------|----------------|----------------|--------------------|------------------|------------------|
| 1 | 1 | 322600180/0 | Lucka | Stone-Guard | |
| 2 | 2 | 12604899/0 | Låsbricka | Crown Fastener | |
| 3 | 1 | 122517863/0 | Sprint | Pin | |
| 4 | 1 | 122450455/0 | Fjäder | Spring | |
| 11 | 1 | 381486006/0 | Uppsamlare-överdel | Grass-Box, Upper | |
| 12 | 2 | 322545159/0 | Plåt | Plate | |
| 13 | 2 | 12728689/0 | Skruv | Screw | |
| 14 | 1 | 122608542/0 | Trådbygel | Stiffening Lower | |
| 15 | 2 | 12728689/0 | Skruv | Screw | |
| 16 | 2 | 12521320/0 | Bricka | Washer | |
| 17 | 2 | 325774220/0 | Plåt | Plate | |
| 18 | 1 | 181002298/0 | Uppsamlingsäck | Box, Fabric | |



| Pos. Fig. | Antal Quantity | Art No Part No | Benämning | Description | Anmärkning Notes |
|-----------|----------------|----------------|----------------|----------------|------------------|
| 1 | 1 | 322109553/0 | Skydd | Guard | |
| 2 | 2 | 112727803/0 | Skruv | Screw | |
| 3 | 1 | 322783010/0 | Tryckring | Button | |
| 4 | 1 | 122450456/0 | Fjäder | Spring | |
| 5 | 1 | 122517864/0 | Sprint | Pin | |
| 6 | 1 | 322783010/0 | Tryckring | Button | |
| 7 | 1 | 122517866/0 | Sprint | Pin | |
| 8 | 1 | 322806635/0 | Vridpunkt | Fulcrum Pin | |
| 9 | 2 | 112728706/0 | Skruv | Screw | |
| 10 | 1 | 322600181/0 | Ejection Guard | Ejection Guard | |
| 11 | 1 | 322393633/0 | Handtag | Handle | |
| 15 | 1 | 322108289/0 | Ejection Guard | Ejection Guard | |