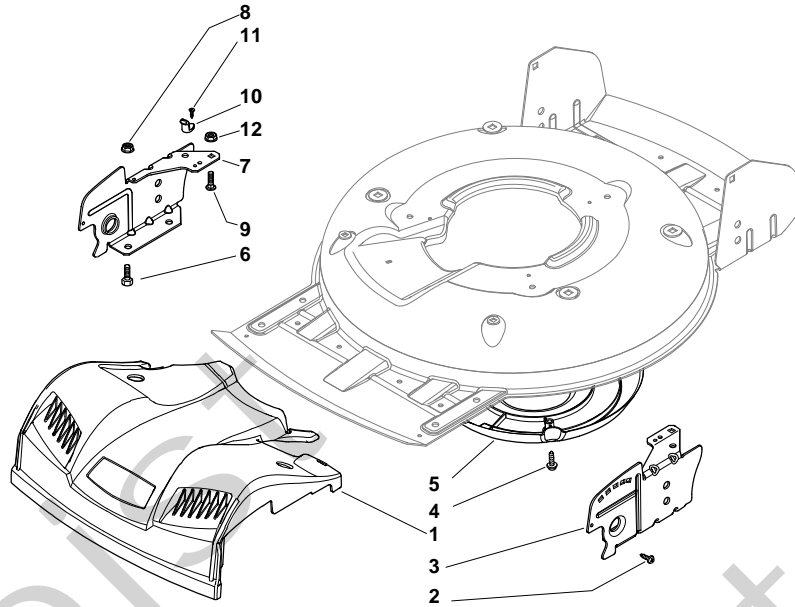


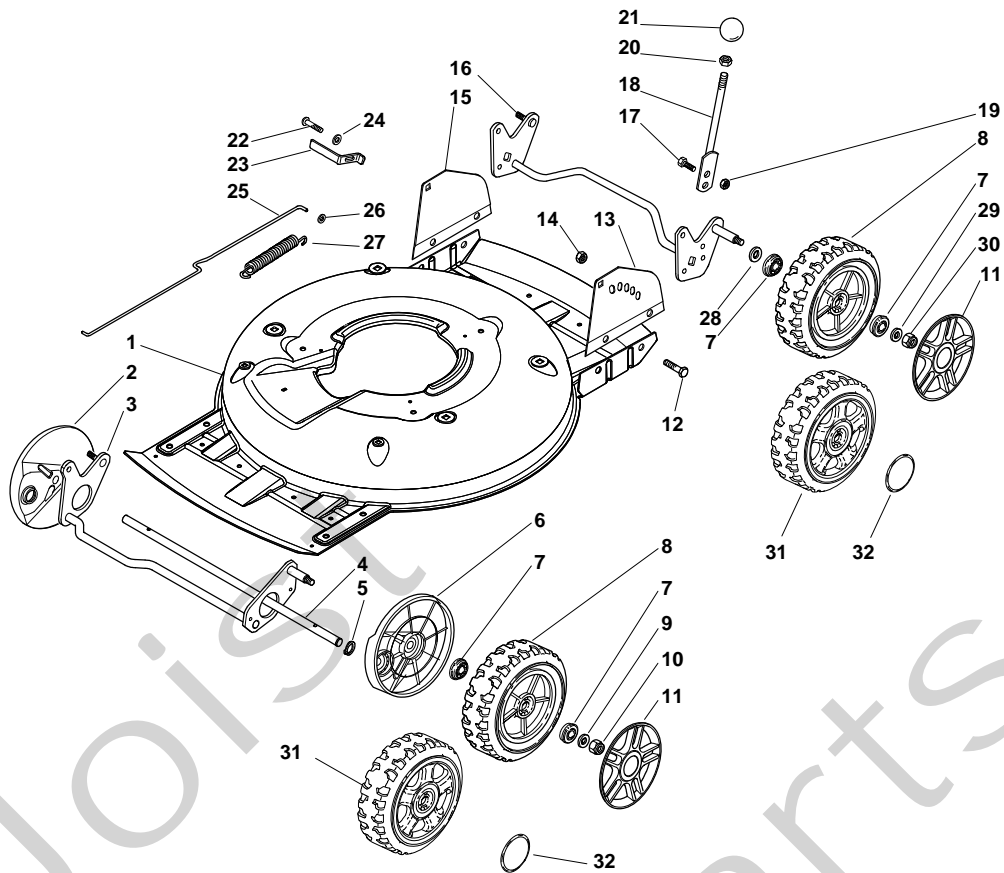
Genuine Spare Parts

MULTICLIP 50 H

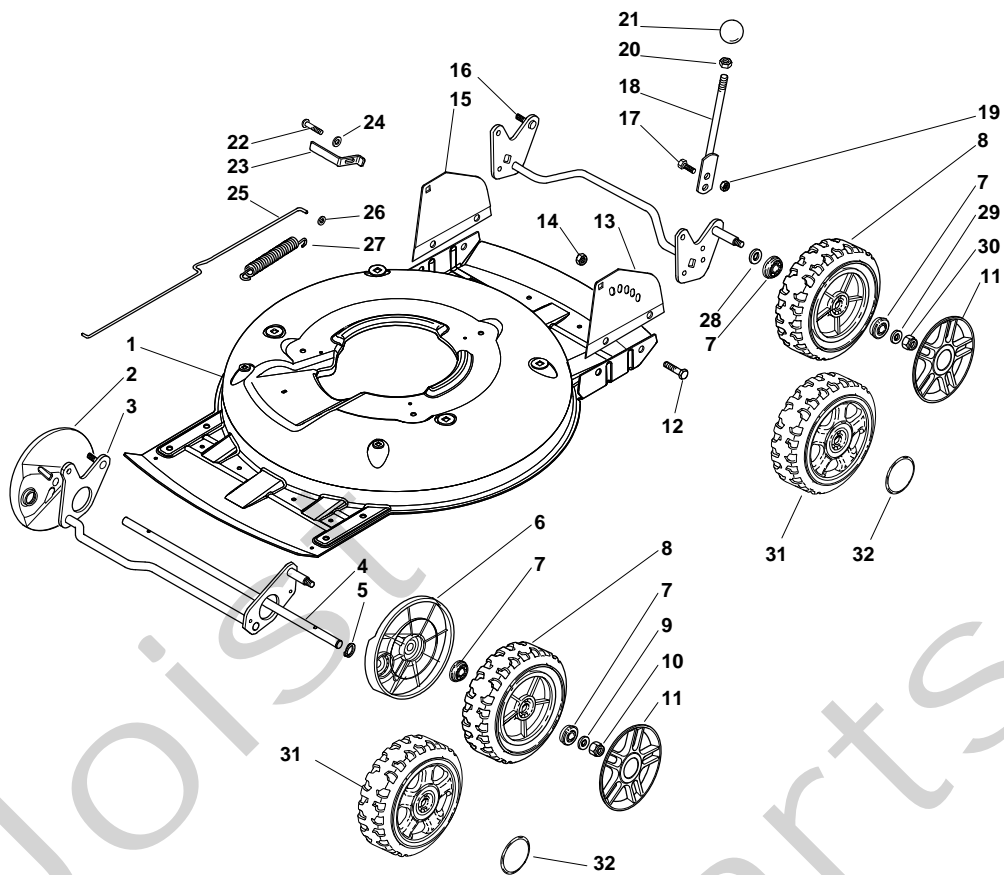




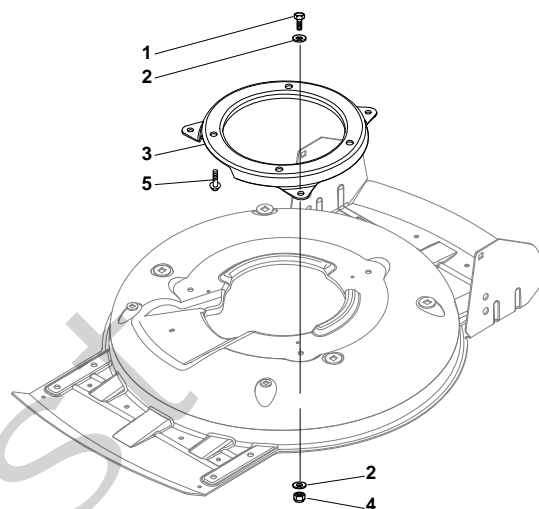
Pos. Fig.	Antal Quantity	Art No Part No	Benämning	Description	Anmärkning Notes
1	1	322226097/1	Frontkläpa-gul	Mask, Yellow	
1	1	322226098/1	Frontkläpa-grå	Mask, Grey	
2	2	12728523/0	Skruv	Screw	
3	1	22778421/0	Fäste-vä	Bracket, L	
4	3	12728530/0	Skruv	Screw	
5	1	22060220/0	Skydd	Protection	
6	4	12792611/0	Skruv	Screw	
7	1	22778419/0	Fäste-hö	Bracket, R	
8	4	12293201/0	Mutter	Nut	
9	2	12815200/0	Skruv	Screw	
10	2	22020400/0	Hållare	Fairlead	
11	2	12728523/0	Skruv	Screw	
12	2	12292102/0	Mutter	Nut	

MULTICLIP 50 H - Model Year 2009


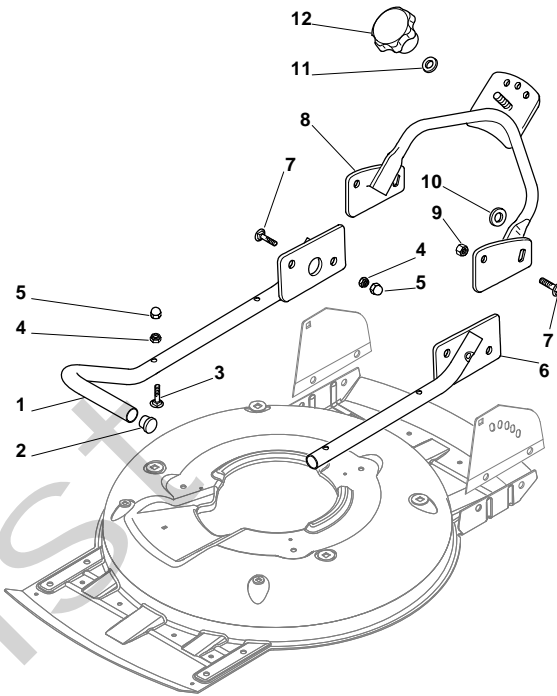
Pos. Fig.	Antal Quantity	Art No Part No	Benämning	Description	Anmärkning Notes
1	1	81002909/1	Chassi	Deck Grey	
2	1	22600093/0	Hjulskydd	Protection, L Wheel	
3	1	81002849/0	Hjulaxel	Axle, Front Wheels	
4	1	22033397/0	Hjulaxel	Axle, Front Wheels	
5	2	22020050/0	Låsbricka	Elastic Washer	
6	1	22600092/0	Hjulskydd	Protection, R Wheel	
7	8	22122200/0	Kullager	Bearing	
8	4	81007343/0	Hjul	Wheel	
9	2	12369500/0	Bricka	Washer	
10	2	12155000/0	Mutter	Nut	
11	4	22110492/0	Navkapsel	Hub Cap Grey	
12	4	12791011/0	Skruv	Screw	
13	1	81545105/0	Platta-vå	Left Plate	
14	4	12154510/0	Mutter	Nut	
15	1	81545104/0	Platta-hö	Right Plate	
16	1	81002851/0	Hjulaxel	Axle, Rear Wheels	
17	2	12789000/0	Skruv	Screw	
18	1	81003323/0	Höjdställn.spak	Lever, Height Adjustment	
19	2	12154330/0	Mutter	Nut	
20	1	12293200/0	Mutter	Nut	
21	1	22399812/0	Knopp	Knob	
22	2	12735661/0	Skruv	Screw	
23	2	22551529/0	Hjulrensare	Plate	
24	2	12521330/0	Bricka	Washer	
25	1	22033329/0	Höjdställn.stång	Rod, Height Adjustment Control	
26	2	12604899/0	Låsbricka	Crown Fastener	
27	1	22446184/0	Fjäder	Spring	
28	2	12530150/0	Bricka	Washer	
29	2	12521350/0	Bricka	Washer	
30	2	12155000/0	Mutter	Nut	
31	4	81007382/0	Hjul	Wheel	

MULTICLIP 50 H - Model Year 2009


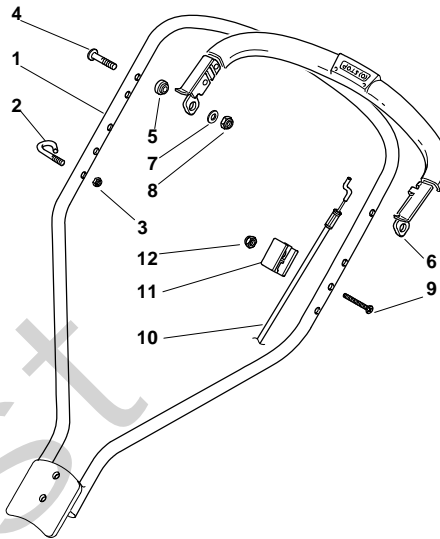
Pos. Fig.	Antal Quantity	Art No Part No	Benämning	Description	Anmärkning Notes
32	4	22110419/0	Navkapsel-svart	Hub Cap	



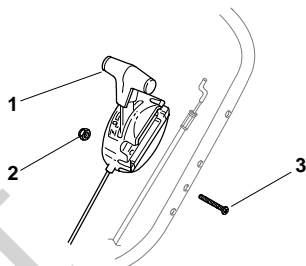
Pos. Fig.	Antal Quantity	Art No Part No	Benämning	Description	Anmärkning Notes
1	3	12792611/0	Skruv	Screw	
2	6	12523060/0	Bricka	Washer	
3	1	322207219/1	Fläns	Flange	
4	3	12293201/0	Mutter	Nut	
5	3	112735108/1	Skruv	Screw	



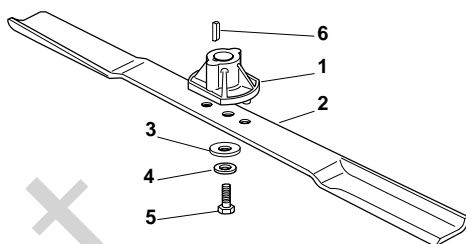
Pos. Fig.	Antal Quantity	Art No Part No	Benämning	Description	Anmärkning Notes
1	1	81006373/0	Styre-underdel, hö	Right Handle, Lower Part	
2	4	18566114/0	Plugg	Cap	
3	6	12819100/0	Skruv	Screw	
4	6	12155000/0	Mutter	Nut	
5	6	18203854/0	Tätningshylsa	Protection	
6	1	81006375/0	Styre-underdel, vä	Left Handle, Lower Part	
7	4	12793102/0	Skruv	Screw	
8	1	81006361/0	Styre-underdel	Handle, Lower Part Yellow	
8	1	81006367/0	Styre-överdel	Handle, Upper Part, Black	
9	4	12155000/0	Mutter	Nut	
10	2	12523060/0	Bricka	Washer	
11	1	12523080/0	Bricka	Washer	
12	1	22399813/0	Låsratt	Knob	



Pos. Fig.	Antal Quantity	Art No Part No	Benämning	Description	Anmärkning Notes
1	1	81006363/1	Styre-överdel	Handle, Upper Part Yellow	
2	1	22430314/0	Öglebult	Spring	
3	1	12154510/0	Mutter	Nut	
4	2	12727784/0	Skruv	Screw	
5	2	22671660/1	Bricka	Washer	
6	1	81003318/1	Reglagebygel	Lever, Engine Brake	
7	2	12523040/0	Bricka	Washer	
8	2	12154510/0	Mutter	Nut	
9	1	12727783/0	Skruv	Screw	
10	1	181000618/0	Motorbromswire	Cable, Thread Engine Brake	
10	1	181000618/0	Motorbromswire	Cable, Thread Engine Brake	(Ggp 160cc)
10	1	181000618/0	Motorbromswire	Cable, Thread Engine Brake	(B&S 625-675 Series)
10	1	181000769/1	Motorbromswire	Cable, Thread Engine Brake	
10	1	181000769/1	Motorbromswire	Cable, Thread Engine Brake	(B&S 450-500 Series)
10	1	81000733/0	Motorbromswire	Cable, Thread Motor Brake	(Honda Gcv 135-160-190)
10	1	81000733/0	Motorbromswire	Cable, Thread Motor Brake	
11	1	22551640/0	Wirefäste	Plate	
12	1	12154510/0	Mutter	Nut	



Pos. Fig.	Antal Quantity	Art No Part No	Benämning	Description	Anmärkning Notes
1	1	81007130/0	Gaswire	Cable, Throttle	
1	1	81007130/0	Gaswire	Cable, Throttle	(Honda)
2	1	12154510/0	Mutter	Nut	
3	1	12727786/0	Skruv	Screw	



Pos. Fig.	Antal Quantity	Art No Part No	Benämning	Description	Anmärkning Notes
1	1	122463020/1	Knivfäste	Hub	
2	1	81004146/0	Kniv	Blade Winged	
3	1	22160400/0	Bricka	Elastic Washer	
4	1	12523080/0	Bricka	Washer	
5	1	12735698/0	Skruv	Screw	
6	1	12139150/0	Kil	Feather	