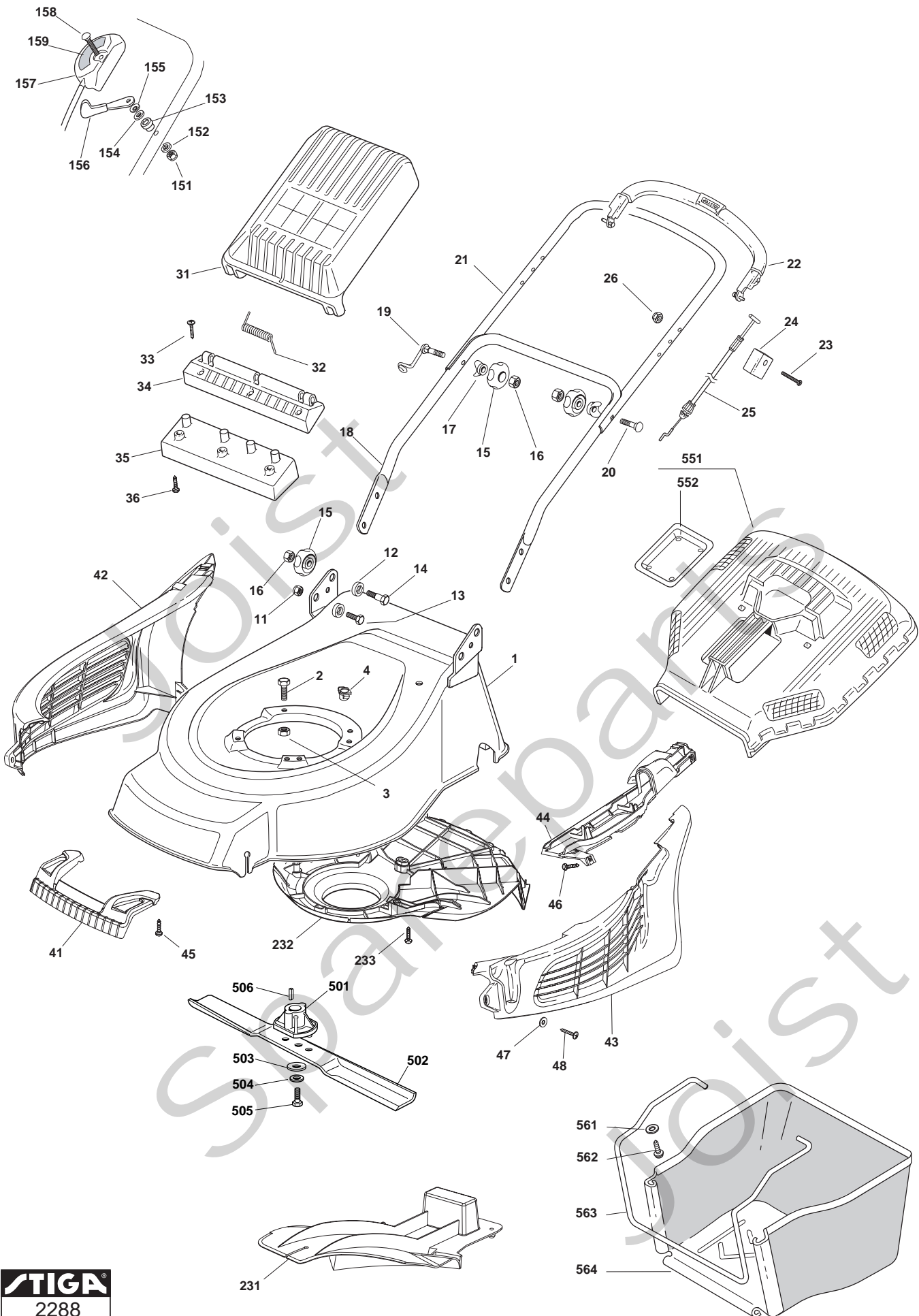


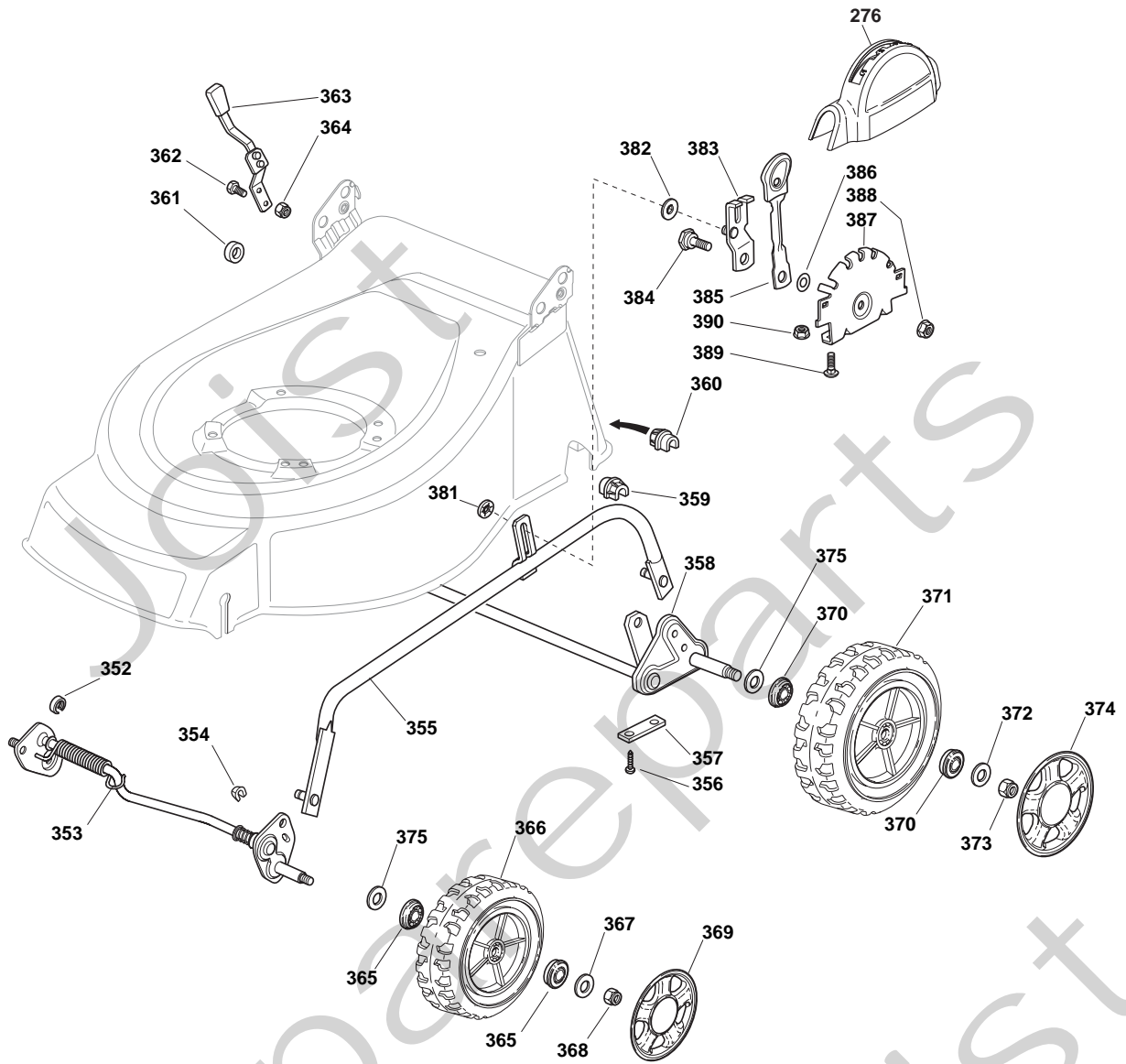
Genuine Spare Parts



Joist
Spareparts
Joist



| Utgåva Issue 2007- 12 | | Bildnr Picture No 2288 | | TURBO 47 COMBI CHASSI STYRE | | TURBO 47 COMBI CHASSIS HANDLE | | Sida Page 102 | |
|-----------------------------|----------------|------------------------------|-------------|-----------------------------------|--------------------------|-------------------------------------|-------------|---------------------|--|
| Pos. Fig. | Antal/Quantity | | | Art nr Part No | Benämning | Description | Sats Kit | Anmärkning Notes | |
| | 7134 -16 | 7181 -16 | 7186 -56 | | | | | | |
| 1 | 1 | 1 | 1 | 81002783/1 | Chassi..... | Chassis | | | |
| 2 | 1 | 1 | 1 | 12691800/0 | Skruv | Screw | | | |
| 2 | 2 | 2 | 2 | 12793701/0 | Skruv | Screw | | | |
| 3 | 3 | 3 | 3 | 12293201/0 | Mutter..... | Nut | | | |
| 4 | 1 | 1 | 1 | 22291150/0 | Gummihylsa | Rubber insert | | | |
| 11 | 2 | 2 | 2 | 12155000/0 | Mutter..... | Nut | | | |
| 12 | 4 | 4 | 4 | 22041955/0 | Bussning | Bush..... | | | |
| 13 | 2 | 2 | 2 | 12792610/0 | Skruv | Screw | | | |
| 14 | 2 | 2 | 2 | 12793700/0 | Skruv | Screw | | | |
| 15 | 4 | 4 | 4 | 22399804/0 | Låsraff | Locking knob | | | |
| 16 | 4 | 4 | 4 | 12293200/0 | Mutter..... | Nut | | | |
| 17 | 2 | 2 | 2 | 22680006/1 | Bricka | Washer..... | | | |
| 18 | 1 | 1 | 1 | 81006521/0 | Styre- underdel | Handle- lower | | | |
| 19 | 1 | 1 | 1 | 81003801/1 | Snörhållare | Rope holder | | | |
| 20 | 1 | 1 | 1 | 12819201/0 | Skruv | Screw | | | |
| 21 | 1 | 1 | 1 | 81006979/2 | Styre- överdel | Handle- upper..... | | | |
| 22 | 1 | 1 | 1 | 81003298/1 | Reglagebygel | Control lever | | | |
| 23 | 1 | 1 | 1 | 12689500/0 | Skruv | Screw | | | |
| 24 | 1 | 1 | 1 | 22551640/0 | Wirefäste | Wire bracket..... | | | |
| 25 | | 1 | | 81000708/0 | Motorbromswire..... | Engine brake cable | | | |
| 25 | | | 1 | 81000718/0 | Motorbromswire..... | Engine brake cable | | B&S LC40- motor | |
| 25 | 1 | | | 81000720/1 | Motorbromswire..... | Engine brake cable | | B&S XTE50- motor | |
| 26 | 1 | 1 | 1 | 12154510/0 | Mutter..... | Nut | | GGP- motor | |
| 31 | 1 | 1 | 1 | 22600069/1 | Lucka- gul..... | Stone guard | | | |
| 32 | 1 | 1 | 1 | 22450430/0 | Fjäder..... | Spring | | | |
| 33 | 3 | 3 | 3 | 12728680/0 | Skruv | Screw | | | |
| 34 | 1 | 1 | 1 | 22785117/0 | Luckhållare | Stone guard fulcrum | | | |
| 35 | 1 | 1 | 1 | 22785129/0 | Fäste..... | Grass bag coupler | | | |
| 36 | 3 | 3 | 3 | 12731600/1 | Skruv | Screw | | | |
| 41 | 1 | 1 | 1 | 81390108/0 | Frontkåpa..... | Front cover..... | | | |
| 42 | 1 | 1 | 1 | 22226079/0 | Sidoskydd- hö..... | Side guard- RH..... | | | |
| 43 | 1 | 1 | 1 | 22226080/0 | Sidoskydd- vä..... | Side guard- LH..... | | | |
| 44 | 1 | 1 | 1 | 22785198/0 | Stöd..... | Support..... | | | |
| 45 | 2 | 2 | 2 | 12728693/0 | Skruv | Screw | | | |
| 46 | 3 | 3 | 3 | 12728688/0 | Skruv | Screw | | | |
| 47 | 4 | 4 | 4 | 12521330/0 | Bricka | Washer..... | | | |
| 48 | 4 | 4 | 4 | 12728520/0 | Skruv | Screw | | | |
| 151 | 2 | 2 | 2 | 12291000/0 | Mutter..... | Nut | | | |
| 152 | 4 | 4 | 4 | 12581500/0 | Låsbricka | Washer..... | | | |
| 153 | 4 | 4 | 4 | 22171005/0 | Distans | Spacer..... | | | |
| 154 | 4 | 4 | 4 | 12521360/0 | Bricka | Washer..... | | | |
| 155 | 1 | 1 | 1 | 12508100/0 | Låsbricka | Washer..... | | | |
| 156 | 1 | 1 | 1 | 81007279/1 | Gasarm..... | Throttle lever | | | |
| 157 | 1 | 1 | 1 | 81007080/0 | Gaswire | Throttle cable | | | |
| 158 | 1 | 1 | 1 | 12815000/0 | Skruv | Screw | | | |
| 159 | 1 | | | 14356702/0 | Dekal | Label | | | |
| 159 | | 1 | 1 | 14356703/0 | Dekal | Label | | | |
| 231 | 1 | 1 | 1 | 22140223/0 | Mulchplugg | Mulch plug | | | |
| 232 | 1 | 1 | 1 | 22060199/0 | Skydd | Protection | | | |
| 233 | 3 | 3 | 3 | 12728530/0 | Skruv | Screw | | | |
| 501 | 1 | 1 | 1 | 1111- 9168- 01 | Knivfäste..... | Blade holder | | | |
| 502 | 1 | 1 | 1 | 1111- 9121- 01 | Kniv | Blade | | | |
| 503 | 1 | 1 | 1 | 22160400/0 | Bricka | Elastic washer | | | |
| 504 | 1 | 1 | 1 | 12523080/0 | Bricka | Washer..... | | | |
| 505 | 1 | 1 | 1 | 12735698/0 | Skruv | Screw | | | |
| 506 | 1 | 1 | 1 | 12139100/0 | Kil | Key | | | |
| 551 | 1 | 1 | 1 | 22486096/1 | Uppsamlare- överdel..... | Grassbox- upper..... | | | |
| 552 | 1 | 1 | 1 | 22486098/0 | • Platta | • Plate | | | |
| 561 | 2 | 2 | 2 | 12521460/0 | Bricka | Washer..... | | | |
| 562 | 2 | 2 | 2 | 12728300/0 | Skruv | Screw | | | |
| 563 | 1 | 1 | 1 | 22608528/0 | Trådbygel | Wire frame | | | |
| 564 | 1 | 1 | 1 | 81002235/0 | Uppsamlingssäck | Collecting bag | | | |



| Utgåva Issue | | Bildnr Picture No | | TURBO 47 COMBI HJULUPPHÄNGNING | | TURBO 47 COMBI WHEEL SUSPENSION | | Sida Page | |
|-----------------|----------------|----------------------|-------------|-----------------------------------|---------------------------|------------------------------------|-------------|---------------------|--|
| 2007- 12 | | 1925B | | | | | | 104 | |
| Pos. Fig. | Antal/Quantity | | | Art nr Part No | Benämning | Description | Sats Kit | Anmärkning Notes | |
| | 7134 -16 | 7181 -16 | 7186 -56 | | | | | | |
| 276 | | 1 | 1 | 22109721/0 | Kåpa- gul | Cover- yellow | | | |
| 276 | 1 | | | 22109727/0 | Kåpa | Cover | | | |
| 352 | 1 | 1 | 1 | 22171002/0 | Distans | Spacer | | | |
| 353 | 1 | 1 | 1 | 81000141/1 | Hjulaxel- fram | Wheel axle- front | | | |
| 354 | 2 | 2 | 2 | 12436050/0 | Låsplatta | Plate | | | |
| 355 | 1 | 1 | 1 | 81006491/0 | Höjdinställn.stång | Height adjust rod | | | |
| 356 | 4 | 4 | 4 | 12731350/0 | Skruv | Screw | | | |
| 357 | 2 | 2 | 2 | 22545142/0 | Plåt | Plate | | | |
| 358 | 1 | 1 | 1 | 81001278/0 | Hjulaxel- bakre | Wheel axle- rear | | | |
| 359 | 1 | 1 | 1 | 22038403/0 | Bussning- vä | Bushing- LH | | | |
| 360 | 1 | 1 | 1 | 22038402/0 | Bussning- hö | Bushing- RH | | | |
| 361 | 1 | 1 | 1 | 22170800/0 | Distans | Spacer | | | |
| 362 | 2 | 2 | 2 | 12789000/0 | Skruv | Screw | | | |
| 363 | 1 | 1 | 1 | 81003283/1 | Höjdinställn.spak | Height adjust lever | | | |
| 364 | 2 | 2 | 2 | 12154320/0 | Mutter | Nut | | | |
| 365 | 4 | 4 | 4 | 22122200/0 | Kullager | Ball bearing | | | |
| 366 | 2 | 2 | 2 | 81007351/0 | Hjul | Wheel | | | |
| 367 | 2 | 2 | 2 | 12521350/0 | Bricka | Washer | | | |
| 368 | 2 | 2 | 2 | 12155000/0 | Mutter | Nut | | | |
| 369 | 2 | 2 | 2 | 22110381/0 | Navkapsel- grå | Hub cap- grey | | | |
| 370 | 4 | 4 | 4 | 22122200/0 | Kullager | Ball bearing | | | |
| 371 | 2 | 2 | 2 | 81007343/0 | Hjul | Wheel | | | |
| 372 | 2 | 2 | 2 | 12521350/0 | Bricka | Washer | | | |
| 373 | 2 | 2 | 2 | 12155000/0 | Mutter | Nut | | | |
| 374 | 2 | 2 | 2 | 22110382/0 | Navkapsel- grå | Hub cap- grey | | | |
| 375 | 4 | 4 | 4 | 12530150/0 | Bricka | Washer | | | |
| 381 | 1 | 1 | 1 | 12604896/0 | Låsbricka | Lock washer | | | |
| 382 | 1 | 1 | 1 | 12369500/0 | Bricka | Washer | | | |
| 383 | 1 | 1 | 1 | 81005121/0 | Fäste | Attachment | | | |
| 384 | 1 | 1 | 1 | 22524333/0 | Bult | Bolt | | | |
| 385 | 1 | 1 | 1 | 81003322/0 | Höjdinställn.spak | Height adjust lever | | | |
| 386 | 1 | 1 | 1 | 22672152/0 | Bricka | Washer | | | |
| 387 | 1 | 1 | 1 | 22735571/1 | Höjdinställn.sektor | Height adjust sector | | | |
| 388 | 1 | 1 | 1 | 12154210/0 | Mutter | Nut | | | |
| 389 | 2 | 2 | 2 | 12815200/0 | Skruv | Screw | | | |
| 390 | 2 | 2 | 2 | 12292102/0 | Mutter | Nut | | | |